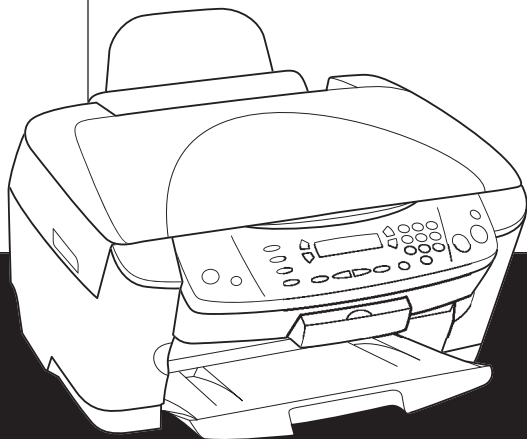


EPSON

All in One Product

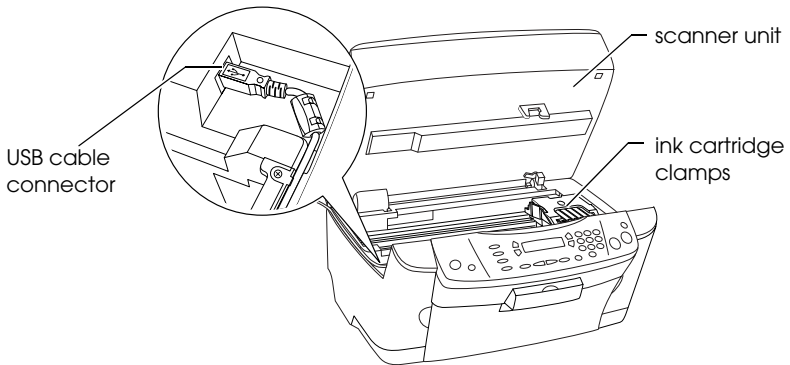
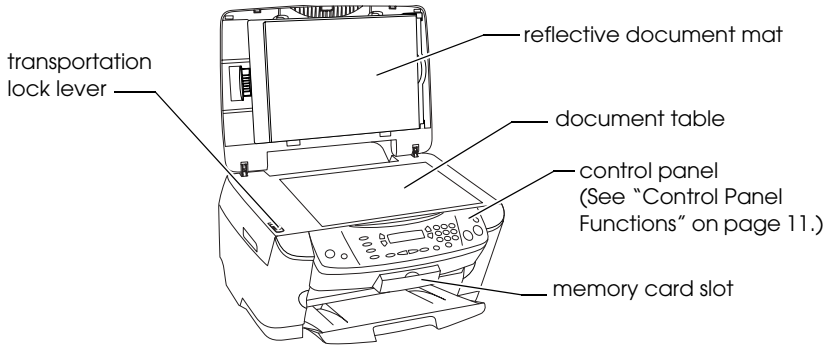
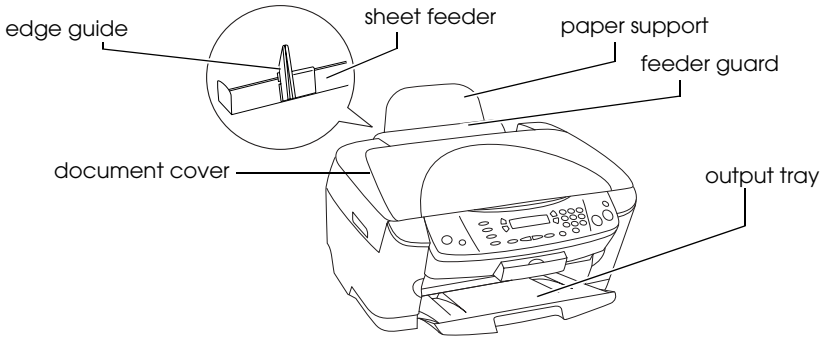


EPSON STYLUS™ PHOTO RX510

Basic Operation Guide

4047564-01
XXX

Parts



EPSON STYLUS™ PHOTO RX510

All in One Product

All rights reserved. No part of this publication may be reproduced, stored in a retrieval system, or transmitted in any form or by any means, electronic, mechanical, photocopying, recording, or otherwise, without the prior written permission of SEIKO EPSON CORPORATION. The information contained herein is designed only for use with this product. EPSON is not responsible for any use of this information as applied to other printers.

Neither SEIKO EPSON CORPORATION nor its affiliates shall be liable to the purchaser of this product or third parties for damages, losses, costs, or expenses incurred by the purchaser or third parties as a result of accident, misuse, or abuse of this product or unauthorized modifications, repairs, or alterations to this product, or (excluding the U.S.) failure to strictly comply with SEIKO EPSON CORPORATION's operating and maintenance instructions.

SEIKO EPSON CORPORATION shall not be liable for any damages or problems arising from the use of any options or any consumable products other than those designated as Original EPSON Products or EPSON Approved Products by SEIKO EPSON CORPORATION.

SEIKO EPSON CORPORATION shall not be held liable for any damage resulting from electromagnetic interference that occurs from the use of any interface cables other than those designated as EPSON Approved Products by SEIKO EPSON CORPORATION.

EPSON® is a registered trademark and EPSON Stylus™ is a trademark of SEIKO EPSON CORPORATION.

Copyright 2001 SEIKO EPSON CORPORATION. All rights reserved. PRINT Image Matching™ is a trademark of SEIKO EPSON CORPORATION. The PRINT Image Matching logo is a trademark of SEIKO EPSON CORPORATION.

Copyright 2002 SEIKO EPSON CORPORATION. All rights reserved. USB DIRECT-PRINT is a trademark of SEIKO EPSON CORPORATION. The USB DIRECT-PRINT logo is a trademark of SEIKO EPSON CORPORATION.

Microsoft® and Windows® are registered trademarks of Microsoft Corporation.

Apple® and Macintosh® are registered trademarks of Apple Computer, Inc.

DPOF™ is a trademark of CANON INC., Eastman Kodak Company, Fuji Photo Film Co., Ltd. and Matsushita Electric Industrial Co., Ltd.

SD™ is a trademark.

Memory Stick and Memory Stick PRO are trademarks of Sony Corporation.

xD-Picture Card™ is a trademarks of Fuji Photo Film Co.,Ltd.

Basic Operation Guide

General Notice: Other product names used herein are for identification purposes only and may be trademarks of their respective owners. EPSON disclaims any and all rights in those marks.

Copyright © 2003 by SEIKO EPSON CORPORATION, Nagano, Japan.

Contents

Safety Instructions

Safety Instructions	7
Warnings, Cautions, and Notes	10

Using the Control Panel

Control Panel Functions	11
LCD panel	11
Buttons	12
Lights	13
Adjusting the LCD panel density	13

Copying

Overview of the Basic Procedure	14
Loading Paper	15
Placing a Document on the Document Table	19
Copying in Various of Layouts	20
How to change the layout	20
Copying without margins	22
Copying with small margins	23
Copying an image multiple times on one sheet	25
Making a poster	26
Copying several pages on one sheet	27
Mirror copy	29
Changing Copy Setting	30
Saving and recalling copy settings	31
Selecting the paper type	31
Selecting the copy quality	32
Reducing or enlarging copies automatically	32
Selecting the paper size	33
Setting the number of copies	33
Making copies lighter or darker	34
Reducing or enlarging copies manually	34
Canceling Copying	35

Printing Directly from a Memory Card

Printing Using an Index Form	36
Printing an Index Form	37
Printing photos by filling in the Index Form.	38
Printing one photo from an Index Form	38
Printing multiple photos from an Index Form	39
Printing All Photos on a Memory Card.	41
Printing with DPOF Functions	42
Loading Memory Cards.	43
Loadable memory card.	43
Available image files.	44
Inserting memory cards	44
Ejecting memory cards	46
Changing Print Setting.	46
Adjusting Print Image and Printing with Additional Information.	48
How to select options you want	48
1. Resolution.	49
2. Color Effect.	50
3. Auto Correct.	50
4. Enhance Res	51
5. Brightness	51
6. Contrast.	52
7. Sharpness	52
8. Saturation	53
9. Date	53
10. Time.	54
11. Print Info.	54
12. Fit to frame	55
13. Hi speed	55
Canceling Printing	56

Scanning by using the LCD panel and buttons

Scanning to Memory Card	57
Formatting a memory card	59
Scanning to Your Computer	59
Scanning Directly to Your e-mail	60
Canceling Scanning	61
Using the Film Holder	61
Loading slides and films	62
Storing the film holder	66

Replacing Ink Cartridges

Ink Cartridges	68
Checking the Ink Level	68
Checking the ink level using the LCD panel	69
Precautions on Ink Cartridge Replacement	69
Replacing an Ink Cartridge	71

Maintenance and Transporting

Checking the Print Head Nozzles	76
Cleaning the Print Head	78
Aligning the Print Head	79
Transporting This Product	80

Troubleshooting

Error Messages	83
The Copied Image is Improperly Sized	86
The Image is Printed in Sepia	86
Clearing the Jammed Paper	87
Memory Card Caught Between the Memory Card Slot and the Memory Card Cover	87

Contacting Customer Support

Regional Customer Services	88
----------------------------------	----

Product Information

Product Specifications	92
Electrical	92
Environmental	92
Mechanical	93
Printing	93
Scanning	93
Paper	94

Safety Instructions

Safety Instructions

Read all of the instructions in this section when setting up and using this product.

When placing this product

- ❑ Avoid places subject to rapid changes in temperature and humidity. Also, keep this product away from direct sunlight, strong light, and heat sources.
- ❑ Avoid places subject to dust, shocks, and vibrations.
- ❑ Leave enough room around this product for sufficient ventilation.
- ❑ Place this product near a wall outlet where you can easily plug in and unplug this product.
- ❑ Place this product on a flat, stable surface that extends beyond this product base in all directions. If you place this product by the wall, leave more than 10 cm between the back of this product and the wall. This product will not operate properly if it is tilted at an angle.
- ❑ When storing or transporting this product, do not tilt it, stand it on its side, or turn it upside down; otherwise, ink may leak from the cartridge.

When choosing a power source

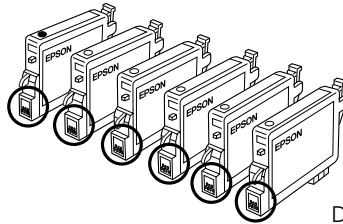
- ❑ Use only the type of power source indicated on the label on the back of this product.
- ❑ Use only the power cord that comes with this product. Use of another cord may cause fire or electric shock.
- ❑ This product's power cord is for use with this product only. Use with other equipment may cause fire or electric shock.
- ❑ Be sure your AC power cord meets the relevant local safety standards.
- ❑ Do not use a damaged or frayed power cord.
- ❑ If you use an extension cord with this product, make sure that the total ampere rating of the devices plugged into the extension cord does not exceed the cord's ampere rating. Also, make sure that the total ampere rating of all devices plugged into the wall outlet does not exceed the wall outlet's ampere rating.
- ❑ If you plan to use this product in Germany, the building installation must be protected by a 10 or 16 amp circuit breaker to provide adequate short-circuit protection and over-current protection for this product.

When using a memory card

- ❑ Do not remove the memory card or turn off this product while the computer and the memory card are communicating (when the memory card light is flashing).
- ❑ The methods for using memory cards vary according to card type. Be sure to refer to the documentation packaged with your memory card for details.
- ❑ Use only memory cards compatible with this product. Refer to "Loadable memory card" on page 43.

When handling ink cartridges

- ❑ Be careful not to break the hooks on the side of the ink cartridge when you remove it from its package.
- ❑ Keep the ink cartridge out of the reach of children. Do not allow children to handle it, or drink ink.
- ❑ Be careful when you handle used ink cartridges, as there may be some ink remaining around the ink supply port. If ink gets on your skin, wash the area thoroughly with soap and water. If ink gets into your eyes, flush them immediately with water. If discomfort or vision problems remain after a thorough flushing, see a doctor immediately.
- ❑ Do not touch the green IC chip on the side of the cartridge. This can damage the ink cartridge.



Do not touch the circled parts.

- ❑ Do not remove or tear the label on the cartridge; otherwise, ink will leak.

When using this product

- ❑ Do not put your hand inside this product or touch the ink cartridges during printing.
- ❑ Do not block or cover the openings on this product.
- ❑ Do not attempt to service this product by yourself.

- ❑ Unplug this product and refer servicing to qualified service personnel under the following conditions:
The power cord or plug is damaged; liquid has entered into this product; this product has been dropped or the cover damaged; this product does not operate normally or exhibits a distinct change in performance.
- ❑ Do not insert objects into the slots on this product.
- ❑ Never spill liquid on this product.
- ❑ Do not leave this product with the ink cartridges uninstalled. If it has been left with ink cartridges uninstalled for a long time, the ink remaining in the print head nozzle dries out; this product may become unable to print.

When using the LCD panel

- ❑ Only use a dry, soft cloth to clean the display. Do not use liquid or chemical cleansers.
- ❑ If the display on this product is damaged, contact your dealer.
- ❑ If the liquid crystal solution contained in the LCD panel leaks out and gets on your hands, wash them thoroughly with soap and water, if the liquid crystal solution gets into your eyes, flush them immediately with water, if discomfort or vision problems remain after a thorough flushing, see a doctor immediately.

Warnings, Cautions, and Notes



Warnings

must be followed carefully to avoid bodily injury.



Cautions

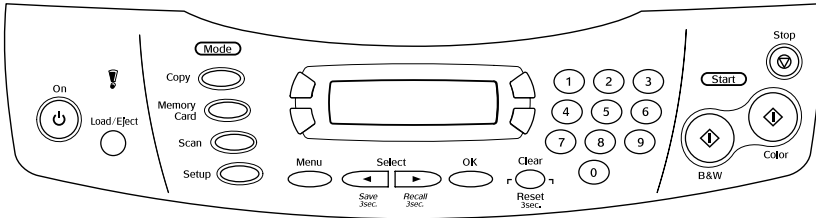
must be observed to avoid damage to your equipment.

Notes

contain important information and useful tips on the operation of your printer.

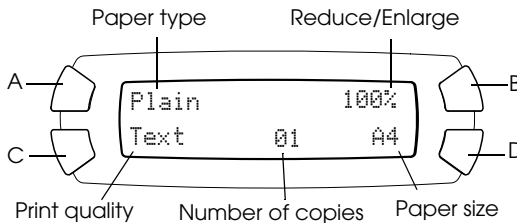
Using the Control Panel

Control Panel Functions



LCD panel

The LCD panel shows the current status of this product and helps you make various settings. The upper left area of the LCD panel shows the result of pressing the A button, the upper right for the B, the lower left for the C, and the lower right for the D button. When you turn on this product, it enters the mode selected the last time this product was turned off. The example below shows the state when this product is in the Copy Mode.



You can also check the error messages on the LCD panel. For details of the error messages, see “Error Messages” on page 83.

Buttons




Buttons	Function
⏻ On	Turns this product on and off.
Copy Mode	Enters the Copy Mode.
Memory Card Mode	Enters the Memory Card Mode.
Scan Mode	Enters the Scan Mode.
Setup Mode	Enters the Setup Mode.
◀ Select / Save 3sec.	Moves to the previous option. When this product is in the Copy Mode, the current setting is saved by pressing and holding this button for 3 seconds.
▶ Select / Recall 3sec.	Moves to the next setting. When this product is in the Copy Mode, the saved setting is recalled by pressing and holding this button for 3 seconds.
Clear/ Reset 3sec.	Clears the setting you have entered. Resets the number of copies to one. Resets the values to their defaults when a menu item appears on the LCD panel. When you press and hold this button for 3 seconds, all of the settings are reset to their defaults.
Menu	Displays menu items for detailed settings on the LCD panel.
OK	Enters the settings you have selected.
◇ B&W	Copies or prints in grayscale.
◇ Color	Copies or prints in color. Starts scanning or the operation you have selected.
⊗ Stop	Stops copying or scanning. The sheet being copied is ejected. Returns to the basic display when a menu item appears on the LCD panel.
A, B, C, D	Used for making various settings. When a button lights up, this shows the button is valid.
Numeric buttons	Enter values (e.g. number of copies, enlargement ratio, etc.).

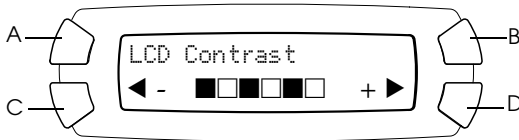
Lights

Light	Pattern	Status
! Error	On	An error occurs. (For details, see "Troubleshooting" on page 83)
Mode (Copy, Memory Card, Scan, Setup)	On	Shows the mode this product is in.
A, B, C, D	On	Indicates the button is valid.

Adjusting the LCD panel density

You can adjust the density of the LCD panel as follows.

1. Press the  On button to turn on this product.
2. Press the Setup Mode button to enter the Setup Mode.
3. Press the A or the  Select button repeatedly until 7.LCD Contrast appears on the LCD panel, and then press the  Color button. The LCD panel is shown below.



4. Adjust the density of the LCD panel. Press the C button to make the panel lighter, or the D button to make it darker.
5. When the adjustment is finished, press the OK button.

Copying


This section describes how to make copies using the control panel. For information on making copies using a computer, see the *Reference Guide*.

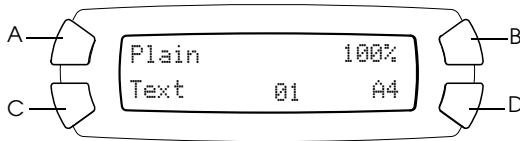
Note:

When you make a copy using a control panel function, a moiré (cross-hatch) pattern may appear on your printout. To eliminate the moiré, change the reduce/enlarge ratio or shift the position of the original document.

Overview of the Basic Procedure

The instructions below provide an example on how to make copies in the Copy Mode.

1. Press the  On button to turn on this product.
2. Press the Copy Mode button to enter the Copy Mode. The LCD panel shows the current copy settings, as indicated below.





3. Load paper (see “Loading Paper” on page 15) and place the original document (see “Placing a Document on the Document Table” on page 19).

4. You can change the copy layout if necessary (see “Copying in Various of Layouts” on page 20).

Note:

Be sure to change the copy layout first before changing the copy settings because all copy settings (paper type, print quality, number of copies, paper size) return to the default values when the copy layout changes.

5. You can change the copy settings, if necessary, by pressing the illuminating buttons. (When a button lights up, this indicates it valid.) To change each setting, see “Changing Copy Setting” on page 30.
6. Press the  Color button to copy in color, or the  B&W button to copy in grayscale.



Caution:

Never open the scanner unit while scanning or copying; otherwise, you may damage this product.

Note:

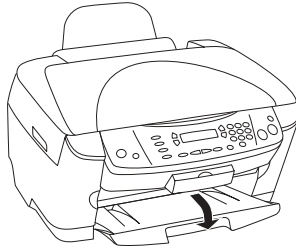
- Do not pull on the paper being copied.*
- If this product runs out of paper while making copies, be sure to load additional paper as soon as possible. If left without paper for a long period of time, the colors of the first copy made after reloading may not accurately reflect those of the original.*
- The copied image may not have exactly the same size as the original.*
- If a message indicating low ink appears on the LCD panel while you are copying, you can either continue making copies until the ink runs out, or stop making copies and then replace the ink cartridge.*

Loading Paper

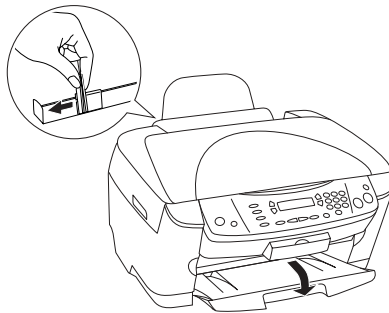
Note:

- The print result is affected by the kind of paper you use. For the best quality, use the appropriate paper.*

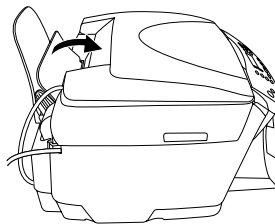
- ❑ *To print on an envelope, refer to the Reference Guide.*
 - ❑ *Keep enough space in front of this product for paper to be fully ejected.*
1. Open the output tray.



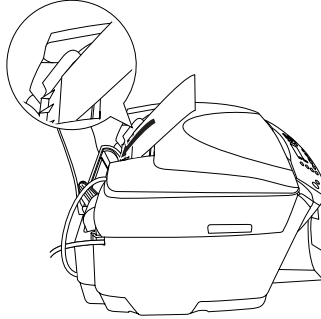
2. While holding down its locking tab, slide out the left edge guide so that the distance between the two edge guides is slightly wider than the paper you are going to load.



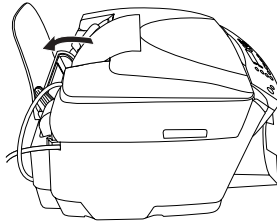
3. Move the feeder guard towards you.



4. Fan a stack of paper, and then tap it on a flat surface to even the edges.
5. Load the stack of paper with the printable side facing down and resting against the guide of the feeder guard.



6. Stand the stack of paper against the paper support.



Note:

- Always load paper into the sheet feeder's short edge first.
- Make sure that the paper stack fits under the arrow mark inside the edge guide.

7. Set the feeder guard back.

Note:

- Always load paper before you start printing.

- *The loading capacity differs depending on the following types of paper.*

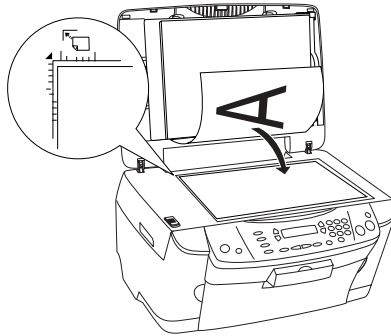
Paper Type	Loading Capacity
Plain Paper	Up to 120 sheets
EPSON Bright White Ink Jet Paper	Up to 80 sheets
EPSON Photo Quality Ink Jet Paper	
EPSON Photo Paper	Up to 20 sheets
EPSON Matte Paper-Heavyweight	
EPSON Glossy Photo Paper	
EPSON Premium Glossy Photo Paper	
EPSON Premium Semigloss Photo Paper	
EPSON Iron-On Cool Peel Transfer Paper	One sheet at a time

Placing a Document on the Document Table

Note:

Keep the document table clean.

1. Open the document cover. Place the original document facing down on the document table. Make sure that the document is properly aligned.

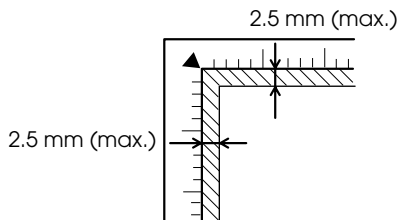


Caution:

Never open the document cover beyond its limit by intention.

Note:

- Make sure the document is flat against the glass surface; otherwise the image becomes out of focus.*
- An area of up to 2.5 mm from the edge of the document table glass cannot be scanned.*



2. Make sure the reflective document mat is attached to the document cover.
3. Close the document cover gently so that the document does not move.

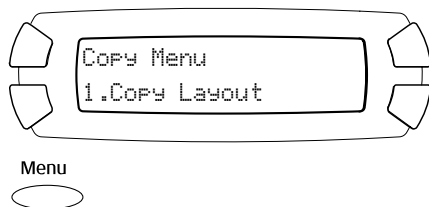
Note:

- To scan the document properly, close the document cover to prevent interference from the external light.
- Do not leave photographs on the document table for an extended period of time. They may stick to the glass of the document table.
- Do not place heavy objects on top of this product.

Copying in Various of Layouts

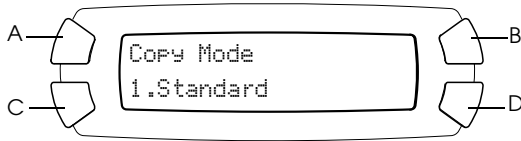
How to change the layout

1. Press the Copy Mode button to enter the Copy Mode.
2. Press the Menu button to enter the Copy Menu. The LCD panel is shown as below.



3. Press the OK button to select a copy layout.

- Press the C or the ◀/▶ Select button repeatedly until the copy layout you want appears on the LCD panel.



Layout	Feature	Page to see
1. Standard	Standard copy	_____
2. BorderFree	Copy without margins	page 22
3. Small Margins	Copy with small margins	page 23
4. Repeat-Auto	Copy an image in actual size as many as it fits to the paper you have selected.	page 25
5. Repeat-4 6. Repeat-9 7. Repeat-16	Copy an image multiple times on one sheet	page 25
8. Poster-4 9. Poster-9 10. Poster-16	Divide an original image to 4, 9, or 16 enlarged copies fit to the paper size you have selected. You can get a poster size image by gluing all of the copies together.	page 26
11. 2-up 12. 4-up	Copy several documents on one sheet	page 27
13. Mirror	Copy a reversed image on an iron-on cool transfer paper	page 29

- Press the OK button to use the layout you have selected.

Copying without margins

You can make a copy that covers the entire page of paper by using the BorderFree layout (see page 20 to select this layout).



In the “BorderFree” layout, you can change the following settings (see “Changing Copy Setting” on page 30).

Menu item	Setting items/values	
Paper type (see page 31)	Plain* Glossy Prem. Glossy SemiGloss	Matte PQIJ Photo Paper BrightWhite
Print Quality	Draft Text*	Photo Best
Paper size (see page 33)	A4* 10 × 15	4" × 6"
Number of copies	01* to 99	
Copy Density (see page 34)	Nine steps	
Reduce/Enlarge (see page 32)	Actual 100% Auto Fit Page* 10 × 15 -> A4 219% A4 -> 10 × 15 54%	4" × 6" -> A4 215% A4 -> 4" × 6" 55% A4 -> A5 74% A5 -> A4 147%
Optional Zoom (see page 34)	25 to 400% in 1% increments	

* indicates the default setting.

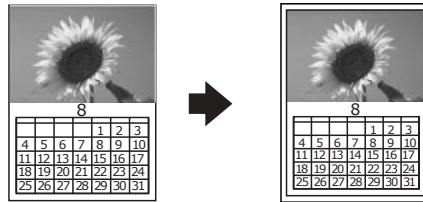
Note:

- ❑ You cannot make a copy without margins if the reduce/enlarge value is outside the range of 25 to 400% when “Auto Fit Page” is selected.

- ❑ Because this layout enlarge the image to a size slightly larger than the paper size, the portion of the image that extends beyond the edge of the paper will not be copied.

Copying with small margins

You can make a copy with a 1.5-mm margins around all edges of the paper by using the “Small Margins” layout (see page 20 to select this layout).



In the “Small Margins” layout, you can change the following settings (see “Changing Copy Setting” on page 30).

Menu item	Setting items/values	
Paper type (see page 31)	Plain* Glossy Prem. Glossy SemiGloss	Matte PQIJ Photo Paper BrightWhite
Print Quality	Draft Text*	Photo Best
Paper size (see page 33)	A4* 10 × 15	4" × 6"
Number of copies	01* to 99	
Copy Density (see page 34)	Nine steps	
Reduce/Enlarge (see page 32)	Actual 100%* Auto Fit Page 10 × 15 -> A4 198% A4 -> 10 × 15 47%	4" × 6" -> A4 195% A4 -> 4" × 6" 48% A4 -> A5 70% A5 -> A4 141%
Optional Zoom (see page 34)	25 to 400% in 1% increments	

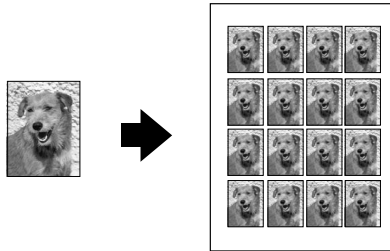
* indicates the default setting.

Note:

You cannot make a copy with small margins if the reduce/enlarge value is outside the range of 25 to 400% when “Auto Fit Page” is selected.

Copying an image multiple times on one sheet

You can make multiple copies of an image on a single sheet of paper by using "Repeat" layout (see "How to change the layout" on page 20 to select this layout). You can select number of copied image from Auto, 4, 9 and 16.



In the "Repeat" layout, you can change the following settings (see "Changing Copy Setting" on page 30).

Menu item	Setting items/values	
Paper type (see page 31)	Plain* Glossy Prem. Glossy SemiGloss	Matte PQIJ Photo Paper BrightWhite
Print Quality	Draft Text*	Photo Best
Paper size (see page 33)	A4* 10 × 15	4" × 6"
Number of copies	01* to 99	
Copy Density (see page 34)	Nine steps	

* indicates the default setting.

Note:

When you select Repeat-Auto, zoom setting is set to 100%. When you select Repeat-4, Repeat-9 or Repeat-16, zoom setting is set to Auto.

Making a poster

You can make a poster size copy using the “Poster” layout (see “How to change the layout” on page 20 to select this layout).



In the “Poster” layout, you can change the following settings (see “Changing Copy Setting” on page 30).

Menu item	Setting items/values	
Paper type (see page 31)	Plain* Glossy Prem. Glossy SemiGloss	Matte PQIJ Photo Paper BrightWhite
Print Quality	Draft Text*	Photo Best
Copy Density (see page 34)	Nine steps	

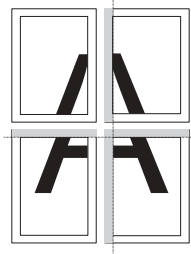
* indicates the default setting.

Note:

- You can only use A4 paper for the “Poster” layout.
- Depending on the original image, the number of divided images may not be 4, 9, or 16 as you selected, because this product reads the entirely white area as blank and the area will not be printed.

Gluing the images together

1. Align the images.
2. Cut the crossover area, and then glue all the images together.



The illustration shows the example of making poster with 4 printouts. The gray area shows the excess area to be cut.

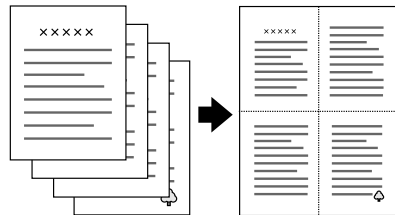
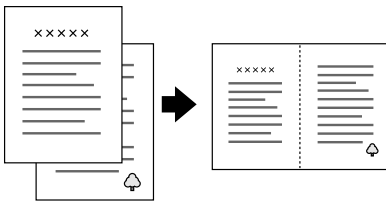


Warning:

Be careful when using edged tools.

Copying several pages on one sheet

You can copy two or four original images on a single sheet of paper by using “2-up” or “4-up” layout (see page 20 to select this layout).



In the “2-up” or “4-up” layout, you can change the following settings (see “Changing Copy Setting” on page 30).

Menu item	Setting items/values	
Paper type (see page 31)	Plain* Glossy Prem. Glossy SemiGloss	Matte PQIJ Photo Paper BrightWhite
Print Quality	Draft Text*	Photo Best
Copy Density (see page 34)	Nine steps	

* indicates the default setting.

Note:

You can only use A4 paper for the “2-up” and “4-up” layout.

Mirror copy

You can copy a reversed image to print on Iron-On Cool Peel Transfer Paper by using the “Mirror” layout (see “How to change the layout” on page 20 to select this layout).

In the “Mirror” layout, you can change the following settings (see “Changing Copy Setting” on page 30).

Menu item	Setting items/values
Paper type (see page 31)	Plain Iron On*
Print Quality	Draft Photo Text* Best
Number of copies	01* to 99
Copy Density (see page 34)	Nine steps
Reduce/Enlarge (see page 32)	Actual 100%* Auto Fit Page

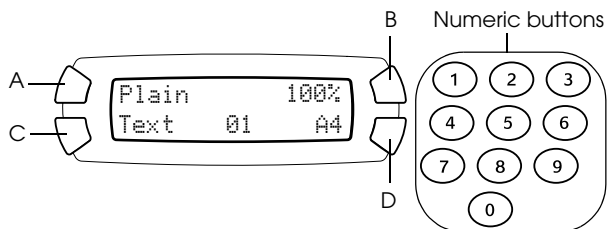
* indicates the default setting.

Note:

You can only use A4 paper for the “Mirror” layout.

Changing Copy Setting

In the Copy Mode, you can change the copy settings as you prefer, using the A, B, C, and D buttons.



Button	Copy setting	Page to see
A	Paper type	page 31
B	Reduce/Enlarge	page 34
C	Print quality	page 32
D	Paper size	page 33
Numeric buttons	Number of copies	page 33

By pressing the Menu button when you are in the Copy Mode, you can adjust the following features as well.

Menu item	Page to see
Copy Layout	page 20
Copy Density	page 34
Optional Zoom	page 34

Saving and recalling copy settings

You can save the current copy settings (except the number of copies) by pressing the ◀ Select button and hold it for 3 seconds. To recall the settings you have saved, press the ▶ Select button and hold it for 3 seconds.

Note:

To reset all settings and return them to their defaults, press the Clear button and hold it for 3 seconds.

Selecting the paper type

Select the appropriate type of the paper you have loaded on the sheet feeder as follows:

Press the A button repeatedly until the type of paper you load appears on the LCD panel.

The paper type you can use are:

Paper Type	Description
Plain	Plain Paper
BrightWhite	EPSON Bright White Ink Jet Paper
Glossy	EPSON Glossy Photo Paper
Photo Paper	EPSON Photo Paper
Prem. Glossy	EPSON Premium Glossy Photo Paper
SemiGloss	EPSON Premium Semigloss Photo Paper
Matte	EPSON Matte Paper-Heavyweight
PQIJ	EPSON Photo Quality Ink Jet Paper
Iron On	EPSON Iron-On Cool Peel Transfer Paper

Selecting the copy quality

Press the C button repeatedly until the copy quality you want appears on the LCD panel.

The options you can select are: Draft, Text, Photo, and Best.

Reducing or enlarging copies automatically

You can reduce or enlarge a copy automatically by selecting the size of the original document and the copying result.

Note:

In the "2-up", "4-up", "Repeat", or "Poster" layout, you cannot use this feature.

Press the B button repeatedly until the option you want appears on the LCD panel.

Selection	Copy result
Actual	Copy in the actual size
10 × 15 -> A4 A4 -> 10 × 15 4" × 6" -> A4 A4 -> 4" × 6" A4 -> A5 A5 -> A4	Copy in the reduced or enlarged size by selecting the appropriate selection (original document size -> copy result size) The value (%) shows the percentage of the actual size.
Auto Fit Page	Copy in the reduced or enlarged size that fits the size of the paper

Selecting the paper size

Select the appropriate size of the paper loaded on the sheet feeder as described below.

Press the D button repeatedly until the appropriate paper size appears on the LCD panel.

The paper size you can select are: A4, 10 × 15, 4" × 6", and A5.

Note:

When you load the 4R size paper, select 10 × 15 for the paper size setting.

Setting the number of copies

Enter the number of copies you want to make, using the numeric buttons as described below.

Note:

- You can make up to 99 copies.*
- To clear the number of copies, press the Clear button.*

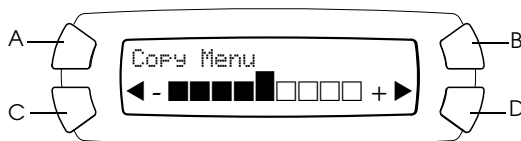
How to use the numeric buttons

- To enter "7," press the 7 button.
- To enter "54," press the 5 button, and then the 4 button.
- To change from "54" to "48," simply press the 8 button (the 4 of the "54" is moved to the ten's place), or press the 4 and 8 buttons in sequence.

Making copies lighter or darker

This product allows you to adjust the copying density in nine steps.

1. Press the Menu button to enter the Copy Menu.
2. Press the C button or ◀/▶ Select button repeatedly until 2.COPY Density appears on the LCD panel.
3. Press the OK button. The LCD panel is shown below.



4. Adjust the copy density monitoring the LCD panel. Press the C or the ◀ Select button to make the copy lighter; press the D or the ▶ Select button to make it darker.
5. When the adjustment is finished, press the OK button.

Reducing or enlarging copies manually

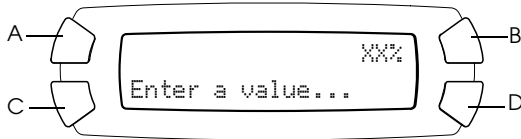
You can reduce or enlarge a copy by entering a value.

Note:

In the "2-up", "4-up", "Repeat", "Poster", or "Mirror" layout, you cannot use this feature.

1. Press the Menu button to enter the Copy Menu.

2. Press the C button or the ◀/▶ Select button repeatedly until 3.Optional Zoom appears on the LCD panel, and then press the OK button. The LCD panel is shown below.



3. Enter a value (%) for the copying size, using the numeric buttons (see “How to use the numeric buttons” on page 33) or press the ◀/▶ Select button repeatedly until the number you want appears on the LCD panel, and then press the OK button.

Note:

You can adjust the size from 25% to 400%.

Canceling Copying

To cancel copying, press the ⏹ Stop button.

Note:

Do not pull on the paper. The paper being copied will come out automatically to the output tray.

Printing Directly from a Memory Card

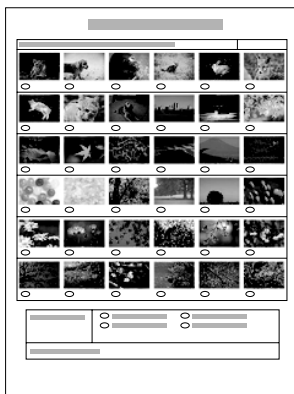
This product allows you to print photos directly from a memory card without using a computer. For information on printing from a computer, refer to the *Reference Guide*.

Note:

- Before printing large jobs, try a single sheet to confirm the print quality.
- We recommend that you disconnect the USB cable when printing directly from a memory card; if you are printing directly from a memory card with the USB cable connected, the print operation may take longer time.

Printing Using an Index Form

Using an Index Form is an easy and convenient way to print directly from a memory card. The Index Form gives you a thumbnail view of photos stored on the memory card.



Printing an Index Form

1. Load a memory card (see “Loading Memory Cards” on page 43).
2. Press the Memory Card Mode button to enter the Memory Card mode.

Note:

If the message No memory card. Operation Canceled. appears on the LCD panel, load a memory card properly before you go on to the next step.

3. If 1.Print Index does not appear on the LCD panel, press the A or the ◀/▶ Select button repeatedly until it appears, and then press the D or OK button.
4. Load a A4 paper (see “Loading Paper” on page 15).

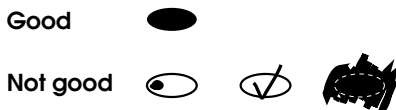
Note:

- You can only use A4 paper to print an Index Form.*
 - You cannot print more than one Index Form at a time, and cannot select the layout.*
 - The Index Form may be several pages long, depending on the number of photos you have on the memory card.*
5. Press the ◊ Color button to start printing the Index Form.

Printing photos by filling in the Index Form

1. Print an Index Form (see “Printing an Index Form” on page 37).
2. On the Index Form, use a dark pen to fill in the circles underneath the photos that you want to print, and specify the paper type.

See the examples below.



Note:

Complete the Index Form correctly. You cannot change the settings using the control panel.

3. Load paper you have selected on the Index Form.
4. If **2.Scan Index** does not appear on the LCD panel, press the **A** or the **◀/▶ Select** button repeatedly until it appears, and then press the **D** or **OK** button.
5. Place the Index Form with its face down, and its top touching the front left edge of the document table (see “Placing a Document on the Document Table” on page 19).
6. Press the **◇ Color** button to start printing.
7. Eject the memory card after printing is finished (see “Ejecting memory cards” on page 46).

Printing one photo from an Index Form

1. Print an Index Form (see “Printing an Index Form” on page 37).
2. Load paper appropriate for your printing purpose (see “Loading Paper” on page 15).

3. Press the A or the ◀/▶ Select button repeatedly until the LCD panel shows 3.0ne image, and then press the D or OK button.
4. Enter the desired photo number on the Index Form using the numeric buttons (see “How to use the numeric buttons” on page 33) or press the C button repeatedly until you get the photo number to print. Finally, press the D or OK button.

Note:

You can enter a number up to 999.

5. Enter the number of copies you want to make using the numeric buttons, and then press the D or OK button.

Note:

The maximum number of copies this product can print at a time is 999. If the total number of copies you set exceeds the maximum, the number will be automatically adjusted to the maximum.

6. Change the print setting (see “Changing Print Setting” on page 46) and adjust print image quality (see “Adjusting Print Image and Printing with Additional Information” on page 48) if necessary.
7. Press the ◊ Color or ◊ B&W button to start printing.
8. Eject the memory card after printing is finished (see “Ejecting memory cards” on page 46).

Printing multiple photos from an Index Form

You can select and print contiguous photos on an Index Form (e.g. from photos 3 to 12).

Note:

You can only select a continuous range of photo numbers.

1. Print an Index Form (see “Printing an Index Form” on page 37).

2. Load paper appropriate for your printing purpose (see “Loading Paper” on page 15).
3. Press the A or the ◀/▶ Select button repeatedly until the LCD panel shows 4.Range of image, and then press the D or OK button.
4. Enter the first photo number to print using the numeric buttons (see “How to use the numeric buttons” on page 33), or press the C button repeatedly until this number appears. Finally, press the D or OK button.

Note:

You can select a photo number up to 999.

5. Enter the last photo number in the same way you entered the first photo number, and then press the D or OK button.
6. Enter the number of copies you want to make using the numeric buttons, and then press the D or OK button.

Note:

The maximum number of copies this product can print at a time is 999. If the total number of copies you set exceeds the maximum, the number will be automatically adjusted to the maximum.

7. Change the print setting (see “Changing Print Setting” on page 46) and adjust print image quality (see “Adjusting Print Image and Printing with Additional Information” on page 48) if necessary.
8. Press the ◊ Color or ◊ B&W button to start printing.
9. Eject the memory card after printing is finished (see “Ejecting memory cards” on page 46).

Printing All Photos on a Memory Card

Using this feature, you can print all photos stored on a memory card.

1. Load a memory card (see “Loading Memory Cards” on page 43) and paper (see “Loading Paper” on page 15).
2. Press the Memory Card Mode button to enter the Memory Card mode.
3. Press the A or the ◀/▶ Select button repeatedly until the LCD panel shows 5.All images, and then press the D or OK button.
4. Enter the number of copies you want to make using the numeric buttons, and then press the D or OK button.

Note:

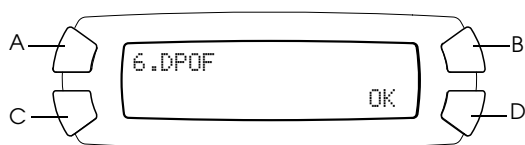
The maximum number of copies this product can print at a time is 999. If the total number of copies you set exceeds the maximum, the number will be automatically adjusted to the maximum.

5. Change the print setting (see “Changing Print Setting” on page 46) and adjust print image quality (see “Adjusting Print Image and Printing with Additional Information” on page 48), if necessary.
6. Press the ◊ Color or ◊ B&W button to start printing.
7. Eject the memory card after printing is finished (see “Ejecting memory cards” on page 46).

Printing with DPOF Functions

DPOF (Digital Print Order Format) is an industry-standard print file request format. This product conforms to DPOF version 1.10. DPOF lets you set photo numbers and the number of copies for photos stored on a digital camera, before you start printing. To create DPOF data, you must use a digital camera that supports DPOF. For details on the DPOF settings of your digital camera, see your digital camera's documentation.

1. Load a memory card with DPOF information (see "Loading Memory Cards" on page 43) and paper (see "Loading Paper" on page 15).
2. Press the Memory Card Mode button to enter the Memory Card mode.
3. Press the A or the ◀/▶ Select button repeatedly until the LCD panel shows 6 .DPOF, and then press the D or OK button.



Note:

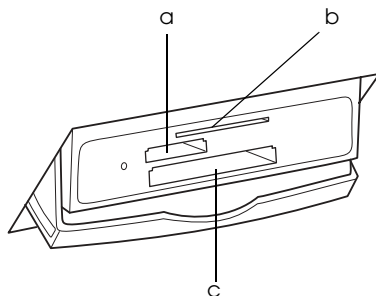
6 .DPOF appears only if your memory card contains the DPOF data.

4. Change the print setting (see "Changing Print Setting" on page 46) and adjust print image quality ("Adjusting Print Image and Printing with Additional Information" on page 48), if necessary.
5. Press the ◊ Color or ◊ B&W button to start printing.
6. Eject the memory card after printing is finished (see "Ejecting memory cards" on page 46).

Loading Memory Cards

Loadable memory card

This product features three memory card slots.



The types of memory cards loadable for each slot are shown below.

Slot	Card
a	Memory Stick/MagicGate Memory Stick/Memory Stick Duo*/ Memory Stick PRO/SD Card/miniSD Card*/MultiMediaCard
b	SmartMedia/xD-Picture Card
c	CompactFlash/Microdrive

* An adapter is required.

Note:

The method to use a memory card varies depending on its card type. Be sure to refer to the documentation packaged with your memory card for details.

Available image files

You can use image files that meet the following requirements.

Media format	DCF version 1.0 compliant*
File format	JPEG or TIF format image files **, DOS FAT taken with a DCF version 1.0 compliant digital camera.
Image size	Vertical 120 to 4600 pixels, horizontal 120 to 4600 pixels
Number of files	Up to 999


* DCF stands for the "Design rule for Camera File system" standard, which is set by the Japan Electronics and Information Technology Industries Association (JEITA).

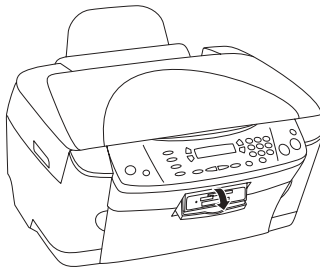
** Supports Exif Version 2.1/2.2.

Note:

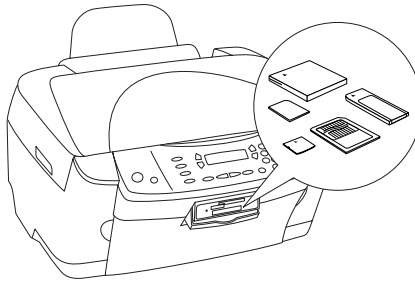
You cannot print images with file name containing double-byte characters.

Inserting memory cards

1. Press the  On button to turn on this product.
2. Open the memory card slot cover.



3. Make sure the memory card light beside the memory card slot is off, and then insert a memory card as far as it can go into the appropriate slot.



Note:

You can load only one memory card at a time.

4. Close the memory card slot cover.



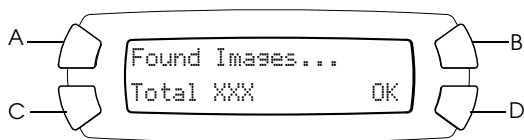
Caution:

- ❑ *Do not try to squeeze the memory card into the slot. Memory cards cannot be fully inserted into the card slots.*
- ❑ *Incorrect loading of a memory card may damage this product, memory card, or both.*
- ❑ *Keep the memory card slot cover closed while the memory card is loaded, which protects the memory card and the slot from dust and static; otherwise data on the memory card may be lost, or this product may be damaged.*
- ❑ *Depending on the memory card loaded in this product, the static charge on the memory card may cause this product to malfunction.*

Note:

If the memory card is inserted incorrectly, the memory card light does not go on.

5. If the images are stored on the memory card, the following message appears. Press the D or OK button.



Ejecting memory cards

1. Make sure all the printing job is finished and the memory card light is not flashing.
2. Open the memory card slot cover.
3. Eject the memory card by pulling it out straight from the slot.

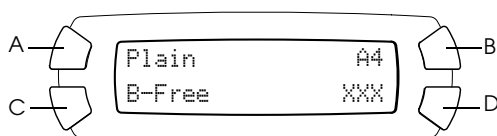


Caution:

- ❑ Do not remove the memory card or turn off the product while the printing or while the memory card light is flashing. Data on the memory card may be lost.
- ❑ If you are using this product with a computer which has Windows 2000 or XP installed, never turn this product off or disconnect the USB cable with a memory card inserted in this product; this may destroy data on the memory card. See the Reference Guide for detail.

Changing Print Setting

You can change the print setting when the LCD panel is in the state shown below.



Press the button (A, B, or C) for the setting you want to change, repeatedly until the desired option appears on the LCD panel. The list below shows the options you can select and the required button to press.

Button	Setting	Selection	Description
A	Paper type	Plain	Plain Paper
		BrightWhite	EPSON Bright White Ink Jet Paper
		Glossy	EPSON Glossy Photo Paper
		Photo Paper	EPSON Photo Paper
		Prem. Glossy	EPSON Premium Glossy Photo Paper
		SemiGloss	EPSON Premium Semigloss Photo Paper
		Matte	EPSON Matte Paper-Heavyweight
		PQIJ	EPSON Photo Quality Ink Jet Paper
B	Paper size	A4 10 × 15 4" × 6"	
C	Layout	B-Free	Prints without margin: image covering the whole page.
		1-up 2-up 4-up 8-up 20-up 80-up	Prints multiple photos on one sheet: e.g. with 8-up, 8 photos/sheet. The size of each photo is adjusted automatically according to the number of photos to print and the size of paper.
		Upper1/2	Prints on upper half part of paper

Adjusting Print Image and Printing with Additional Information

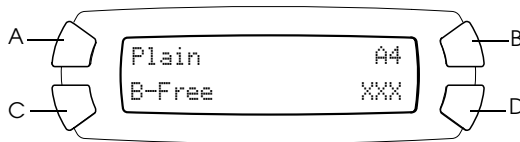
Using this feature, you can adjust the quality of printouts. You can also include the following information in printouts: shooting date and time, and photo details (exposure time/shutter speed, F number, ISO speed rate). This feature provides you with the following options to enrich your printing experience.

Note:

You cannot use this feature when you print an Index Form or print photos from an Index Form.

How to select options you want

1. Press the Menu button while the LCD panel is shown below.



- Press the C or ◀/▶ Select button repeatedly until the option you want appears on the LCD panel, and then press the OK button. See the pages in the list below for details about each setting.

Option	Page to see for details
1. Resolution	page 49
2. Color Effect	page 50
3. Auto Correct	page 50
4. Enhance Res	page 51
5. Brightness	page 51
6. Contrast	page 52
7. Sharpness	page 52
8. Saturation	page 53
9. Date	page 53
10. Time	page 54
11. Print Info.	page 54
12. Fit to Frame	page 55
13. Hi Speed	page 55

1. Resolution

You can print low-resolution photos more clearly by using this feature to enhance the resolution. The default setting is Best.

Option	Description
Photo	Prints in 720 × 720 dpi (360 × 360 dpi for Plain Paper)
Best	Prints in 1440 × 720 dpi (720 × 720 dpi for Plain Paper)

2. Color Effect

With this feature, you can print photos in sepia tone. The default setting is Color.

Option	Description
Color	Does not print in sepia tone, but in color or gray scale.
Sepia	Prints in sepia tone.

3. Auto Correct

This feature corrects the color of printouts automatically, depending on the option selected, as shown below. The default setting is P.I.M..

Option	Description
P.I.M. (PRINT Image Matching)	Prints using the PRINT Image Matching function. If the photo data does not include P.I.M., try printing with PhotoEnhance.
Exif	Prints using the Exif Print function. It provides you with high-quality printouts.
Auto Photo Fine	Prints enhanced images automatically. It requires longer time, but gives better quality.
None	Prints with no automatic correction.

4. Enhance Res

By turning this function on, you can remove digital noise in photos and enhance the resolution of low-resolution photos. The default setting is Off.

Option	Description	Printing speed
On	Removes digital noise and enhances the resolution.	Slower
Off	Does not remove digital noise or enhance the resolution.	Faster

5. Brightness

This feature allows you to adjust the brightness of printouts. The default setting is Standard.

Option	Description
Brightest	Makes printouts very bright.
Brighter	Makes printouts slightly brighter.
Standard	No brightness adjustment
Darker	Makes printouts slightly darker.
Darkest	Makes printouts very dark.

6. Contrast

This feature allows you to adjust the contrast of printouts. The default setting is Off.

Option	Description
Super Hi	Makes contrast of printouts very strong.
Hi	Makes contrast of printouts slightly stronger.
Off	No contrast adjustment.

7. Sharpness

This feature allows you to adjust the sharpness of printouts. The default setting is Standard.

Option	Description
Sharpest	Makes the outline of subjects very sharp.
Sharper	Makes the outline of subjects slightly sharper.
Standard	No sharpness adjustment
Softer	Makes the outline of subjects slightly softer.
Softest	Makes the outline of subjects very soft.

8. Saturation

This feature allows you to adjust the vividness of printouts. The default setting is Standard.

Option	Description
Most	Makes printouts very vivid.
More	Makes printouts slightly more vivid.
Standard	No saturation adjustment
Less	Makes printouts slightly duller.
Least	Makes printouts very dull.

9. Date

You can print the shooting date in the bottom right area of a printout. You can choose a date formatting style from the list below. The default setting is None.

Option	Description
None	Prints with no date information.
yyyy.mm.dd	e.g. 2003. 05. 18
mmm.dd.yyyy	e.g. Oct. 18. 2003
dd.mmm.yyyy	e.g. 18. Oct. 2003

10. Time

You can print the shooting time in the bottom right area of a printout. You can choose a time formatting style from the list below (the example shows the case of printing a photo taken at 10:00 p.m.). The default setting is None.

Option	Description
None	Prints with no time information.
12-hour system	e.g. 10:00
24-hour system	e.g. 22:00

11. Print Info

By turning this function on, you can print the shooting information (exposure time/shutter speed, F number, ISO speed rate) in the bottom right area of a printout. The default setting is Off.

Option	Description
Off	Prints with no information.
On	Prints with information.

Note:

This function is available only when the photo information complies with the Exif standard.

12. Fit to frame

By turning this function on, you can print images fit the print size you have selected. It automatically trims the areas of an image that extend beyond the margins of the selected print size. Either the top and bottom, or the left and right areas of photo is trimmed, depending on the aspect ratio of the original photo and the selected print size. The default setting is On.

Option	Description
On	Trims the image.
Off	Does not trim the image.

Note:

If the photo's vertical to horizontal ratio is higher than 1:2, it is treated as a panoramic photo; you cannot print it to fit the frame regardless of the setting.

13. Hi speed

By turning this function on, you can perform bidirectional printing (printing from right to left and from left to right). Turn this function on or off according to your printing purpose. The default setting is On.

Option	Printing speed	Printing quality
On	Faster	Normal
Off	Slower	Fine

Note:

If the print head is misaligned, vertical lines appear during bidirectional printing. If this happens, you may need to align the print head (see "Aligning the Print Head" on page 79).

Canceling Printing

To cancel printing, press the ⏹ Stop button.

Note:

Do not pull on the paper. The paper being copied will come out automatically to the output tray.

Scanning by using the LCD panel and buttons

This product allows you to scan images to a memory card, computer, or e-mail (available on a computer), and then edit them to meet your needs. To scan images to a computer or e-mail, see the *Reference Guide*.

Available scanning options:

Option	Page to see
1. To Photo Card (scanning to memory card)	page 57
2. To PC (scanning to computer)	page 59
3. To E-mail (scanning to e-mail)	page 60

Scanning to Memory Card

You can scan an image and then save it on a memory card directly without using a computer. The scanned images are saved in the JPEG format.

Note:

If the message The card is not properly formatted. Would like to format the card? appears on the LCD panel, format the memory card (see "Formatting a memory card" on page 59), or press the C button to cancel formatting, and then exchange it with a formatted one.

1. Load a memory card (see "Loading Memory Cards" on page 43).
2. Press the Scan Mode button to enter the Scan Mode.

- Press the A or the ◀/▶ Select button repeatedly until 1.To Photo Card appears on the LCD panel. Then press the D or OK button.



- Use the A, B, and C buttons to select the appropriate Document type, Print quality, and Scan area. Press the corresponding button repeatedly until the selection you want appears on the LCD panel (see the list below). Then press the D button.

Button	Setting	Selection
A	Document type	Text Graphic
B	Scan area	Auto Max.
C	Scan quality	Normal Photo (available and suitable for Graphic document type) Fine (available and suitable for text document type)

- Place an original document on the document table (see “Placing a Document on the Document Table” on page 19). Then press the ◊ Color button to start scanning.



Caution:

Never open the scanner unit while scanning or copying; otherwise, you may damage this product.

Note:

The scanned images are saved in the “epscan” folder automatically created when you scan to the memory card.

6. Eject the memory card after printing is finished (see “Ejecting memory cards” on page 46).



Caution:

Do not remove the memory card or turn off the product while printing or while the memory card light is flashing. Data on the memory card may be lost.


Formatting a memory card

If the message `The card is not properly formatted. Would like to format the card?` appears on the LCD panel, you can format the memory card as follows.



Caution:

All data on a memory card is deleted when you format the memory card.

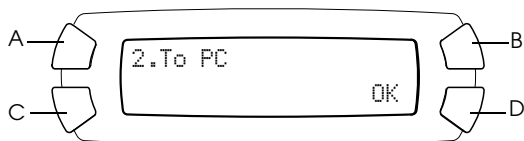
1. Press the D button.
2. Press the  Color button to start formatting. After formatting is finished, this product returns to the mode before you began formatting the memory card.

Scanning to Your Computer

This product allows you to scan an image to a computer or send an e-mail with the scanned image attached by using this feature. Before using this feature, make sure you have installed *EPSON Scan* and *EPSON Smart Panel* on your computer.

1. Connect this product to your computer with a USB cable, and then start up the computer.
2. Place the material on the document table (see “Placing a Document on the Document Table” on page 19 or “Using the Film Holder” on page 61).

3. Press the Scan Mode button to enter the Scan Mode.
4. Press the A or the ◀/▶ Select button repeatedly until 2.To PC appears on the LCD panel, and then press the D or OK button.



The original document is scanned to your computer and *EPSON Smart Panel* is launched. For details on the operating instructions of *EPSON Smart Panel*, see its *Help*.



Caution:

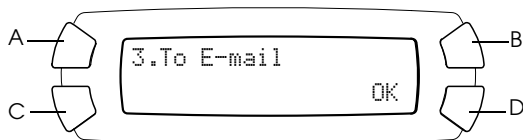
Never open the scanner unit while scanning or copying; otherwise, you may damage this product.

Scanning Directly to Your e-mail

This product allows you to scan an image and then send an e-mail with the scanned image attached. Before using this feature, make sure you have installed *EPSON Scan* and *EPSON Smart Panel* on your computer.

1. Connect this product to your computer, and then start up the computer.
2. Place the material on the document table (see “Placing a Document on the Document Table” on page 19 or “Using the Film Holder” on page 61).
3. Press the Scan Mode button to enter the Scan Mode.

4. Press the A or the ◀/▶ Select button repeatedly until 3.To E-mail appears on the LCD panel, and then press the D or OK button.



For details on further steps, see the *Reference Guide*.



Caution:

Never open the scanner unit while scanning or copying; otherwise, you may damage this product.

Canceling Scanning

To cancel scanning, press the ⏹ Stop button.

Using the Film Holder

You can scan 35 mm film strips and slides using EPSON Scan or EPSON Smart Panel. For information about using EPSON Scan and EPSON Smart Panel, see the *Reference Guide*.

Note:

You cannot use the To Photo Card feature in the Scan Mode on this product's LCD panel to scan 35 mm film strips or slides.

Loading slides and films

You can scan 35 mm film strips and slides. Your document cover also functions as the Film Adapter.



Caution:

Hold the film at its edges, or else use gloves. Touching the film surface with bare hands can leave fingerprints or other traces on the film.

Note:

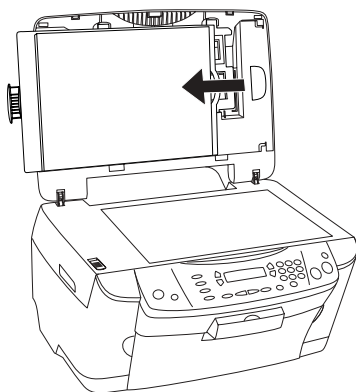
Wipe the inside of the document cover and the document table before scanning transparencies.

1. Make sure the document cover's cable is connected to the TPU interface connector.

Note:

Before connecting or disconnecting the document cover's cable, make sure this product is turned off.

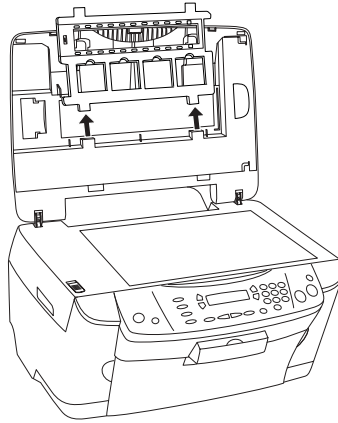
2. Open the document cover.
3. Remove the reflective document mat gently along the document cover.



Note:

Make sure to hold the document cover with both hands.

4. Remove the film holder from the document cover.



5. Load the transparency into the film holder and position it on the document table. Go to the section listed below that matches the type of transparency you want to scan. See the following sections for details.

- “35 mm film strips” on page 64
- “35 mm slides” on page 65

Note:

- The base side of the film is the side where the film maker’s name and film ID numbers can be read correctly. Also, when you look at an image on the film from the base side, the image should appear normally, not as the reverse of it.*
- Set the film correctly in the film holder and position the film holder properly on the document table.*
- Do not press the glass of the document table with too much force.*

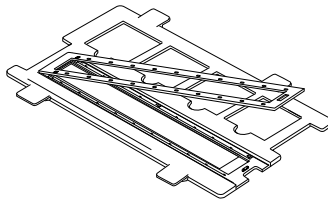
6. Close the document cover.

Note:

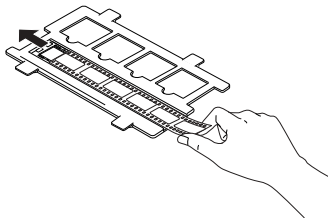
- ❑ *Make sure the document cover is completely closed; otherwise you cannot obtain proper colored images.*
- ❑ *A newton ring (ring-shaped stripes pattern) may appear in the scanned image. To remove the newton ring, set the film with the base side facing up. See the Reference Guide for detail.*
- ❑ *When you are not using the film holder, you can store it inside the document cover. See “Storing the film holder” on page 66 for details.*

35 mm film strips

1. Remove the film cover.

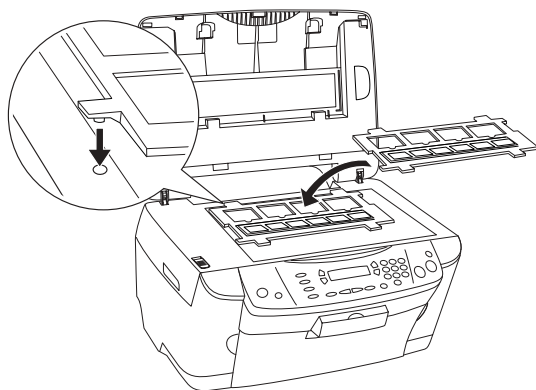


2. Slide the edge of the strip in the 35 mm film holder, base side facing down. Place it so that all of the frame is positioned inside the film holder, and then attach the film cover.



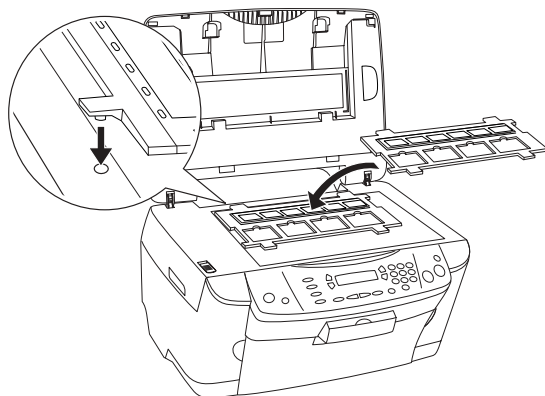
3. Close the film cover.

4. Place the film holder on the document table so that it fits the hole on this product with the 35-mm film strips holder coming to the center of the document table.

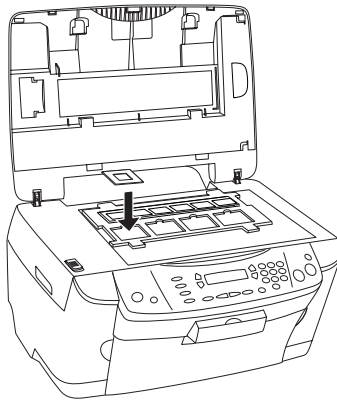


35 mm slides

1. Place the film holder on the document table so that it fits the hole on this product with the 35-mm slides holder coming to the center of the document table.



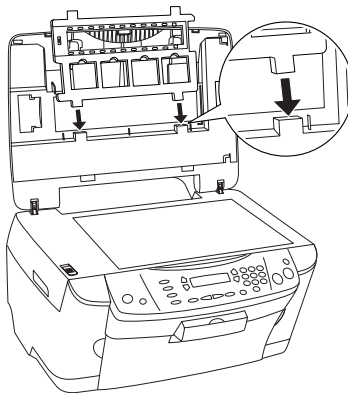
2. Place slides in the 35 mm slides holder, as shown below.



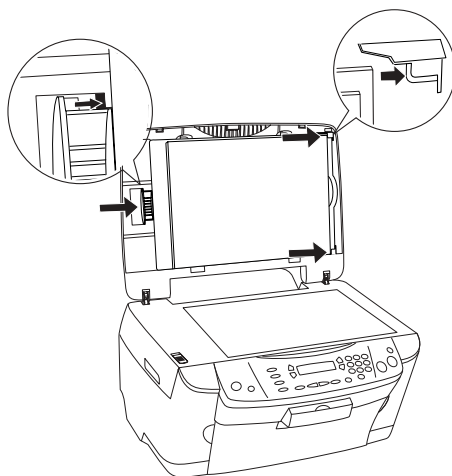
Storing the film holder

When not using the film holder, you can store it inside the document cover.

1. Open the document cover.
2. Slide the film holder into the document cover.



3. Insert the reflective document mat.



Note:

Make sure to hold the document cover with both hands.

4. Close the document cover.

Replacing Ink Cartridges

This product monitors the amount of ink left in each cartridge, using an IC chip built into the cartridge. If it detects the ink is low or running out, it notifies you of the ink cartridge to replace, using a message on the LCD panel or your computer.

Ink Cartridges

You can use the following cartridges with this product.

Black ink cartridge	Black	T0491
Color ink cartridge	Cyan Magenta Yellow Light cyan Light magenta	T0492 T0493 T0494 T0495 T0496



Caution:

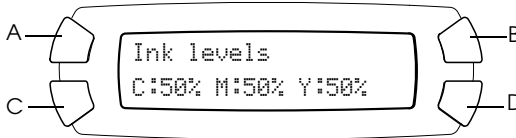
EPSON recommends the use of genuine EPSON ink cartridges. EPSON will not warranty any damage caused by the use of other products.

Checking the Ink Level

You can check the ink level either on the LCD panel or on your computer. See the *Reference Guide* for details on how to check the ink level on the computer.

Checking the ink level using the LCD panel

1. Make sure this product is on, and then press the Setup Mode button.
2. Press the A button repeatedly until 1.Ink levels appears on the LCD panel and then press the ◊ Color button. The amount of ink appears.



3. If you want to replace the ink cartridge, go on to the next section. To return to the previous display without replacing the ink cartridge, press the OK button.



Caution:

Leave the used ink cartridge installed until just before replacement; otherwise, ink remaining in the print head nozzles may dry out.

Precautions on Ink Cartridge Replacement

Read all of the instructions in this section and “When handling ink cartridges” on page 9 before replacing the ink cartridge.

- ❑ If you need to remove an ink cartridge temporarily from this product, be sure to protect the ink supply area of the ink cartridge from dirt and dust. Store the ink cartridge in the same environment as this product. When storing the cartridge, be sure that its label identifying the color of the ink cartridge is facing upward. Do not store ink cartridges upside down.

- ❑ The valve in the ink supply port is designed to contain any excess ink that may be released. However, careful handling is recommended. Do not touch the supply port of the ink cartridge or its surrounding area.
- ❑ This product uses ink cartridges equipped with an IC chip. The IC chip accurately monitors the amount of ink used by each cartridge, so even if a cartridge is removed and then later inserted again, all of its ink can be used. However, some ink is consumed each time the cartridge is inserted because this product automatically checks its reliability.
- ❑ When an ink cartridge becomes empty, you cannot continue copying even if the other cartridge still contains ink. Before copying, replace the empty cartridge.
- ❑ In addition to being used in document copying, ink is also consumed in the following operations: print head cleaning, self-cleaning cycle performed when this product is turned on, and ink charging when an ink cartridge is installed in this product.
- ❑ Do not refill the ink cartridges. This product calculates the amount of ink remaining using an IC chip built into an ink cartridge. Even if the cartridge is refilled, the amount of ink remaining is not recalculated by the IC chip and therefore the amount of ink available for use does not change.
- ❑ After an ink cartridge is replaced, if the ink is low it may become empty. When a message appears to indicate the ink is low, prepare a new ink cartridge.

Replacing an Ink Cartridge

Follow the steps below to replace ink cartridges.

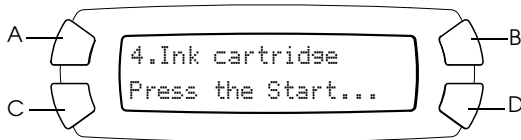
Note:

Before replacing an ink cartridge, read “Precautions on Ink Cartridge Replacement” on page 69 and “When handling ink cartridges” on page 9.

1. Make sure this product is on.
2. **When the ink is empty:**
Refer to the LCD panel message to see which ink cartridge is empty, and then press the ◊ Color button.

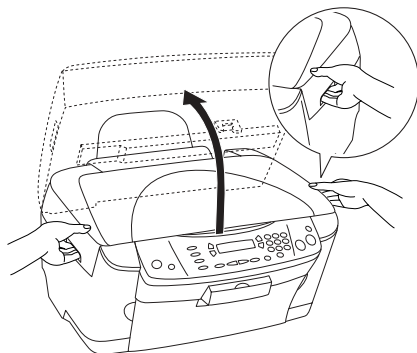
When the ink is low:

Press the Setup Mode button to enter the Setup Mode and press the A button repeatedly until 4.Ink cartridge appears on the LCD panel, and then press the ◊ Color button.



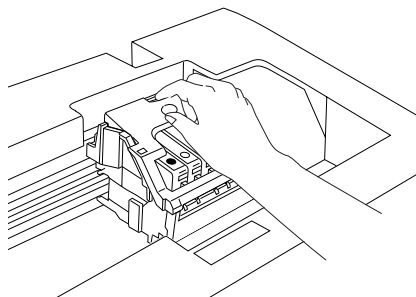
The ink cartridges move to the replacement position.

3. Make sure that the document cover is closed, and then open the scanner unit.

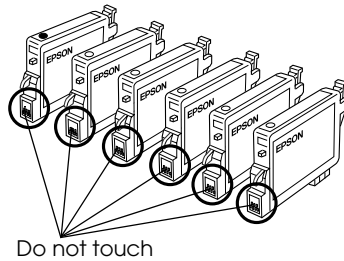


Caution:

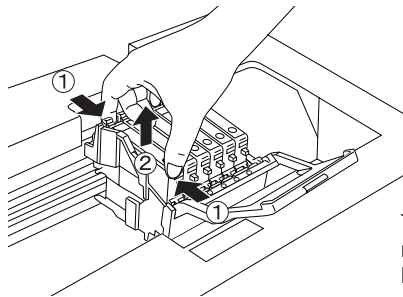
- ❑ Do not open the scanner unit when the document cover is still open.
 - ❑ Do not move the print head by hand. Doing so may damage this product.
 - ❑ Do not start replacing an ink cartridge before the print head stops.
4. Open the cartridge cover.



5. Remove an ink cartridge from its package.



6. Pinch the sides of the ink cartridge that you want to replace. Lift the cartridge out of this product and dispose of it properly. Do not take the used cartridge apart or try to refill it.



The illustration shows replacement of the black ink cartridge.



Warning:

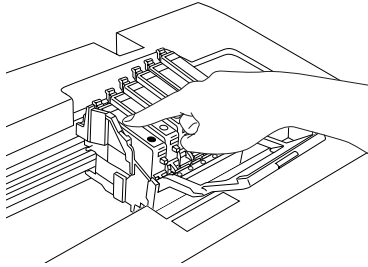
Be careful when you handle the used ink cartridges. There may be some ink around the ink supply port. If ink gets on your skin, wash the area thoroughly with soap and water. If ink gets into your eyes, flush them immediately with water. If discomfort or vision problems remain after a thorough flushing, see a doctor immediately.



Caution:

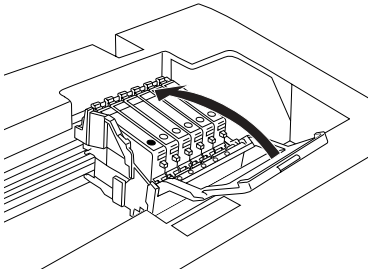
Leave the used ink cartridge installed until just before replacement; otherwise, ink remaining in the print head nozzles may dry out.

7. Install the new ink cartridge straight into the cartridge holder, and then press the top of the cartridge until it clicks into place.



If you need to replace the other ink cartridge, repeat steps 5 and 6.

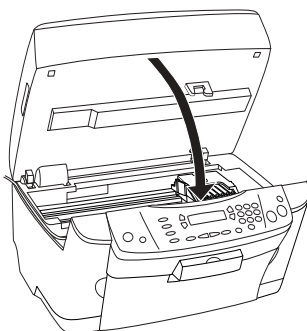
8. Close the cartridge cover.



Note:

If you find it difficult to close the cartridge cover, see step 6 to make sure the ink cartridge has been installed correctly.

9. Close the scanner unit.



The print head moves to its home position, and ink charging begins. When *Charging...* appears on the LCD panel when ink charging is in progress. *Charging...* disappears from the LCD panel, ink charging is completed.



Caution:

*Never turn off this product while *Charging...* appears on the LCD panel; Otherwise, this will cause incomplete charging of the ink.*

Note:

If you install a used ink cartridge with ink level already low, it may become empty right after the replacement. In this case, replace the ink cartridge with a new one.

Maintenance and Transporting

Checking the Print Head Nozzles

If you find that the printed image is unexpectedly faint or some dots in the printed image are missing, checking the print head nozzles helps you to identify the problem.

Follow the steps below to check the print head nozzles using the control panel.

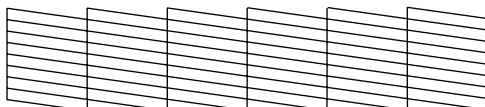
Note:

When the ! Error light is on and a message appears on the LCD panel to prompt you to replace the ink cartridge or to indicate the ink is low, you cannot clean the print head. In this case, replace the appropriate ink cartridge first.

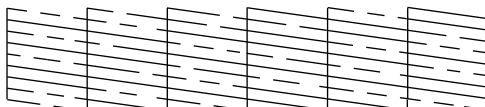
1. Make sure that A4 or Letter paper is loaded in the sheet feeder.
2. Make sure that this product is on, and the ! Error light is off.
3. Press the Setup Mode button to enter the Setup Mode.
4. Press the A or ◀/▶ Select button repeatedly until 2.Nozzle check appears on the LCD panel then press the ◇ Color button. This product starts printing.

5. Check the printout. The following examples indicate when the print head needs to be cleaned.

Good: print head does not need to be cleaned yet.



Not Good: print head needs to be cleaned.



The actual printouts are printed in color (CMYK).

If the nozzle check result is not good, there is a problem with this product. It may be a clogged ink nozzle or a misaligned print head. To solve these problems, see the next two sections for details.

Cleaning the Print Head

If you find that the nozzle check result is unexpectedly faint or some dots in the printed image are missing, you may be able to solve these problems by cleaning the print head, which ensures that the nozzles are delivering ink properly.

Note:

- ❑ *Print head cleaning uses both color and black ink. To avoid wasting ink, clean the print head only if the copy quality drops (for example, blurred printout, incorrect or missing color).*
- ❑ *Before cleaning the print head, perform the nozzle check first to see if it really needs to be cleaned. This saves ink.*
- ❑ *When the ! Error light is on and a message appears on the LCD panel to prompt you to replace the ink cartridge or to indicate the ink is low, you cannot clean the print head. In this case, replace the appropriate ink cartridge first.*

Follow the steps below to clean the print head using the Control Panel.

1. Make sure this product is on, and the ! Error light is off.
2. Press the Setup Mode button to enter the Setup Mode.
3. Press the A or ◀/▶ Select button repeatedly until 3.Head Cleaning appears on the LCD panel, and then press the ◊ Color button. Cleaning of the print head starts and Head cleaning... appears on the LCD panel.



Caution:

Never turn off this product while Head cleaning... appears on the LCD panel. Doing so may damage this product.

4. When `Head cleaning...` disappears from the LCD panel, perform the nozzle check to confirm that the head is clean and to reset the cleaning cycle. See “Checking the Print Head Nozzles” on page 76.

Note:

- ❑ *If the print quality has not improved after repeating this procedure four or five times, turn this product off and leave it alone overnight. Then, perform the nozzle check again and repeat head cleaning if necessary.*
- ❑ *If the print quality still has not improved, one or both of your ink cartridges may be old or damaged and may need to be replaced. To replace an ink cartridge, see “Replacing an Ink Cartridge” on page 71.*
- ❑ *To maintain good print quality, we recommend printing a few pages at least once every month.*

Aligning the Print Head

If you notice vertical lines are not aligned properly on the nozzle check result, you may be able to solve this problem by aligning the print head.

Follow the steps below to align the print head using the Control Panel.

Note:

Do not press the ⏹ Stop button to cancel printing while printing an alignment pattern.

1. Make sure that A4 or Letter paper is loaded in the sheet feeder.
2. Make sure that this product is on, and the ! Error light is off.
3. Press the Setup Mode button to enter the Setup Mode.

4. Press the A or ◀/▶ Select button repeatedly until 5.Head alignment appears on the LCD panel, and then press the ◊ Color button. The alignment patterns are printed.
5. Look at the alignment patterns. Find the pair of vertical lines that is aligned in pattern #1, and then enter the number using the numeric buttons. Finally, press the ◊ Color button to enter your selection.
6. The next pattern number appears. As with pattern #1, find and register the aligned pairs for the remaining alignment patterns #2 through #4.

After all patterns are set, the print head alignment operation is completed.

Transporting This Product

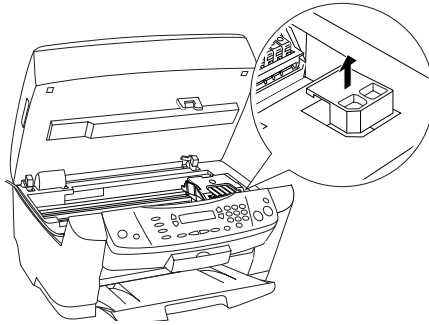
If you need to transport this product, carefully repack it using the original box (or a similar box that this product fits snugly into) and packing materials as follows:



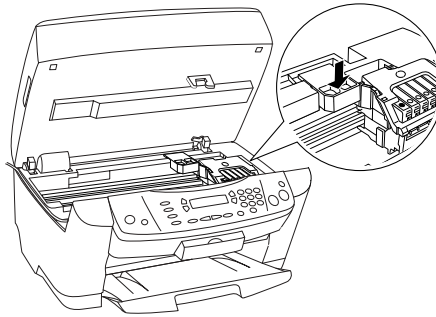
Caution:

- ❑ *When storing or transporting this product, avoid tilting it, placing it vertically or turning it upside down; otherwise ink may leak from the cartridge.*
 - ❑ *Leave the ink cartridges in their installed positions when transporting this product; removing the cartridges for transportation may damage this product.*
1. Remove all paper from the sheet feeder and make sure that this product is off.

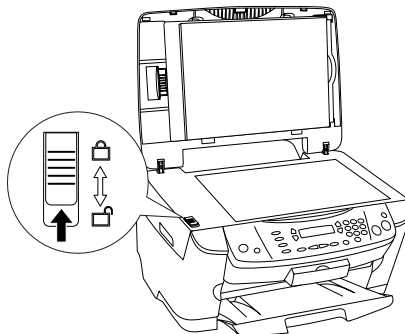
- Pick up the tightener from the storage.



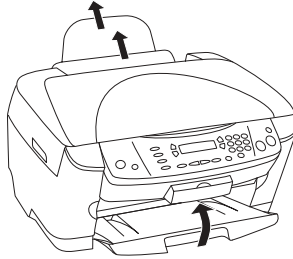
- Install it in the secure position. Finally, close the scanner unit.



- Open the document cover and slide the transportation lock lever, as shown in the illustration below, to lock the scanner carriage.



5. Unplug the power cord from the electrical outlet and the USB cable from your computer if connected.
6. Remove the paper support and the feeder guard. Close the output tray.



7. Attach the protective materials to both sides of this product, and then repack this product, the power cord and the USB cable in the box.
8. Keep this product on a flat surface to protect it from shocks during transportation.

Note:

Do not forget to remove the protective materials from this product before using it again.

Troubleshooting

Error Messages

You can identify many common problems using the ! Error light and error messages on your Control Panel. If this product stops working and the ! Error light is on, use the following table of error messages to diagnose the problem, and then try the recommended solution.

Note:

The solutions are for the problems that happen when using this product stand alone. Refer to the online Reference Guide on detailed solutions for printing, scanning, print quality, or computer-related problems.

Error Messages	Problem	Solution
There is no Index Sheet or it is not set correctly. Please perform again after a check.	The Index Form is not placed correctly.	Place the Index Form correctly. See "Placing a Document on the Document Table" on page 19.
Check of a picture is not carried out or markings is not right. Please perform again after a check.	The photos and the papertype are not selected correctly on the Index Form.	Fill in the circle on the Index Form to select the photos and the paper type correctly. See "Printing photos by filling in the Index Form" on page 38.
Paper is not selected on the Index Sheet or the oval is not filled in correctly. Check the Index Sheet, then try again.	The paper type is not selected correctly on the Index Form.	Fill in the circle on the Index Form to select the paper type correctly. See "Printing photos by filling in the Index Form" on page 38.

Error Messages	Problem	Solution
The data on the memory card has changed. Print a new Index Sheet, then try again.	After an Index Form is printed, an image file on the memory card is added or removed.	Print the Index Form again.
No memory card. Operation canceled.	No memory card is loaded when you select to print directly from a memory card or to scan to a memory card.	Load the memory card. See "Loading Memory Cards" on page 43.
Cannot recognize the memory card. Do you want to format the card?	The memory card loaded in this product cannot be recognized.	Format the memory card or load a new memory card.
The memory card is write-protected. Operation canceled.	You cannot save the image to the memory card.	Release the write protection or load another memory card.
There is not enough free space on the memory card. Operation canceled.	Not enough space is available to save the image to the memory card.	Load a new memory card.
Cannot create a memory card folder. Operation canceled.	Cannot create a folder on the memory card.	Load a new memory card.
The memory card was removed. Operation canceled.	The memory card is ejected during the operation.	Load a new memory card.
Cannot be stored saved in the XXX mode.	The Save button is pressed in a mode other than the Copy mode.	You can only save the settings of the Copy mode.
Open the output tray.	The output tray is closed	Open the output tray.

Error Messages	Problem	Solution
No XXX ink cartridge -> Press the Color button to install a new ink cartridge.	The ink cartridge indicated in the message is not installed.	Press the ◊ Color button and open the scanner unit by following the messages to install the ink cartridge. See "Replacing an Ink Cartridge" on page 71.
XXX ink out -> Press the Color button to begin ink cartridge replacement.	The ink cartridge indicated in the message is empty.	Press the ◊ Color button and open the scanner unit by following the messages to replace the empty cartridge. See "Replacing an Ink Cartridge" on page 71.
XXX ink cartridge error -> Cartridge replacement is necessary. Press the Color button to begin.	Error occurs at the ink cartridge.	Press the ◊ Color button and open the scanner unit by following the messages to replace the empty cartridge. See "Replacing an Ink Cartridge" on page 71.
Paper out -> Load paper into the sheet feeder, then press the Color button.	No paper is loaded in the sheet feeder.	Load paper in the sheet feeder, and then press the ◊ Color button.
Scanner unit open -> Close the scanner unit.	Scanner unit is open.	Close the scanner unit securely.
Paper jam -> Press the Color button. Remove any remaining jammed paper by hand.	Paper jams occur.	Press the ◊ Color button. If the paper jam is not cleared, remove the jammed paper by hands. See "Clearing the Jammed Paper" on page 87.
Multi-page feed error -> Multiple pages have been fed into the printer at once. Remove and reload the paper, then press the Color button.	Multiple pages have been fed into the printer at once.	Remove and reload the paper, then press the ◊ Color button.

Error Messages	Problem	Solution
Scanner error -> See your documentation and call service if necessary.	Error occurs in the scanner parts.	Turn this product off, and then back on. Then make sure the transportation lock is released. If the error message still appears, contact your dealer.
Printer error -> See your documentation and call service if necessary.	Error occurs in the printer parts.	Turn this product off, and then back on. If the error message still appears, contact your dealer.
Service Required.		Contact your dealer.

The Copied Image is Improperly Sized

When Auto Fit Page is selected as the Reduce/Enlarge setting on the LCD panel and the border of the original document is white or very light, the size of the original might not be recognized correctly. This may cause the copied image to be improperly sized. To correct this, select Actual 100% as the Reduce/Enlarge setting and then use the Optional zoom setting to adjust the size of the copied image.

The Image is Printed in Sepia

In the Memory Card mode, you have the options to print in full color or sepia. If you have selected the "Sepia," the image is printed in sepia color when you press the \diamond Color button to start printing. To change the setting and print in full color, see "How to select options you want" on page 48.

Clearing the Jammed Paper

If paper is jammed inside this product, an error message appears on the LCD panel. You may be able to clear the jammed paper using the Control Panel. Follow the instructions below.

1. Press the **◇ Color** button to eject the jammed paper. If the jammed paper is not ejected, go on to the next step.
2. Locate where the paper is jammed.

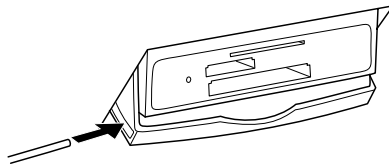
If the paper is jammed at the paper feeding position or the ejecting position, remove all of the paper by hand.

If the paper is jammed inside this product, press the **⏻ On** button to turn off this product. Open the scanner unit, and then remove all of the paper inside by hand, including any torn pieces.

3. After clearing the jammed paper, close the scanner unit and then press the **⏻ On** and the **◇ Color** button.
4. Load a stack of paper in the sheet feeder.

Memory Card Caught Between the Memory Card Slot and the Memory Card Cover

Keep the memory card cover open, and then push the memory card out with a stick.



Contacting Customer Support

Regional Customer Services

If your EPSON product is not operating properly and you cannot solve the problem using the troubleshooting information in your product documentation, contact customer support services for assistance. If customer support for your area is not listed below, contact the dealer where you purchased your product.

Customer support will be able to help you much more quickly if you give them the following information:

- Product serial number
(The serial number label is usually on the back of the product.)
- Product model
- Product software version
(Click About, Version Info, or similar button in the product software.)
- Brand and model of your computer
- Your computer operating system name and version
- Names and versions of the software applications you normally use with your product

Note:

For more information on Contacting Customer Support, see the Online Reference Guide.

Note for users in the Middle East, Scandinavia, and South Africa:
Some of these services may be available in English only.

For users in North America

URL	http://support.epson.com	
Telephone	(562)276-1300 (U.S.) (905)709-9475 (Canada)	

For users in the United Kingdom and the Republic of Ireland

URL	http://www.epson.co.uk	
Telephone	UK	08701 637 766
	The Republic of Ireland	01 679 9016

For users in the Middle East

URL	http://www.epson.com	
Telephone	+971 4 352 4488	
Fax	+971 4 351 6617	
Email	epson_support@compubase.co.ae	

For users in Scandinavia

URL	http://www.epson.com	
Telephone	Denmark	80 88 11 27
	Finland	0800 523 010
	Norway	800 11 828
	Sweden	08 445 12 58

For users in South Africa

URL	http://www.epson.co.za	
Telephone	(011) 444-5223 or 0800 600 578	

For users in Australia

URL	http://www.epson.com.au
Telephone	1300 361 054
Fax	(02) 9903 9189

For users in Singapore

URL	http://www.epson.com.sg
Telephone	(65) 6586 3111

For users in Thailand

URL	http://www.epson.co.th
Telephone	(66)2-670-0333

For users in Indonesia

URL	http://www.epson.co.id	
Telephone/Fax	Jakarta	(62) 21-62301104
	Bandung	(62) 22-7303766
	Surabaya	(62) 31-5479541
	Medan	(62)61-4516173
Telephone	Yogyakarta	(62) 274-566353/22-143

For users in Hong Kong

URL	http://www.epson.com.hk
Phone	(852) 2585-4399
Fax	(852) 2827-4383

For users in Malaysia

URL	http://www.epson.com.my
Phone	603-56288333

For users in India

URL	http://www.epson.co.in
Phone	1600 440011

For users in the Philippines

URL	http://www.epson.com.ph
Phone	(63) 2-813-6567
Fax	(63) 2-813-6545
E-mail	customersupport@epc.epson.com.ph

Product Information

Product Specifications

Electrical

120V Model

Input voltage range	108 to 132V
Rated frequency range	50 to 60 Hz
Power consumption	Approx. 21 W (ISO10561 Letter pattern) Approx. 4 W in sleep mode Approx. 0.4 W in power-off mode

220-240V Model

Input voltage range	198 to 264V
Rated frequency range	50 to 60 Hz
Power consumption	Approx. 21 W (ISO10561 Letter pattern) Approx. 4 W in sleep mode Approx. 0.5 W in power-off mode

Note:

Check the label on the back of this product for the voltage information.

Environmental

Temperature	Operation: 10 to 35°C (50 to 95°F)
-------------	------------------------------------

Mechanical

Paper path	Sheet feeder, rear entry
Sheet feeder capacity	About 120 sheets at 64 g/m ² (17 lb) paper
Dimensions	456 mm × 439 mm × 256 mm (W × D × H, not including rubber feet and loading tray)
Weight	Approx. 10.0 kg (22.0 lb)

Printing

Printing method	On-demand ink jet
Nozzle configuration	Monochrome (black) 90 nozzles Color (cyan, magenta, yellow, light cyan, light magenta) 450 nozzles (90 nozzles per color × 5)

Scanning

Scanner type	Flatbed color image scanner
Document size	8.5 × 11.7"(216 × 297 mm) A4 or US letter size (The reading area can be specified from your software.)
Scanning resolution	2400 dpi (main) 4800 dpi (sub)

Paper

Note:

Since the quality of any particular brand or type of paper may be changed by the manufacturer at any time, EPSON cannot guarantee the quality of any non-EPSON brand or type of paper. Always test a sample of paper stock before purchasing large quantities or printing large jobs.

Paper specifications

Single sheets:

Size	A4 (210 × 297 mm) A5 (148 × 210 mm) Letter (216 × 279 mm) Half-letter (140 × 216 mm) Legal (216 × 356 mm) Executive (184.2 × 267 mm) 5 × 7" (127 × 178 mm) 8 × 10" (203 × 254 mm) 3.5 × 5" (89 × 127 mm)
Paper types	Plain bond paper, special paper distributed by EPSON
Thickness (for plain bond paper)	0.08 to 0.11 mm (0.003 to 0.004 inch)
Weight (for plain bond paper)	64 g/m ² (17 lb) to 90 g/m ² (24 lb)

Envelopes:

Size	No. 10 (105 × 241 mm) DL (110 × 220 mm) C6 (114 × 162 mm)
Paper types	Plain bond paper, air mail
Thickness	0.16 to 0.52 mm (0.006 to 0.02 inch)
Weight	45 g/m ² (12 lb) to 75 g/m ² (20 lb)

Premium Ink Jet Plain Paper:

Size	A4 (210 × 297 mm)
Paper types	Special paper distributed by EPSON

Bright White Ink Jet Paper:

Size	A4 (210 × 297 mm)
Paper types	Special paper distributed by EPSON

360 dpi Ink Jet Paper:

Size	A4 (210 × 297 mm) Letter (216 × 279 mm)
Paper types	Special paper distributed by EPSON

Iron-On Cool Peel Transfer Paper:

Size	A4 (210 × 297 mm) Letter (216 × 279 mm)
Paper types	Special paper distributed by EPSON

Photo Quality Ink Jet Paper:

Size	A4 (210 × 297 mm) Letter (216 × 279 mm)
Paper types	Special paper distributed by EPSON

Photo Quality Ink Jet Cards:

Size	A6 (105 × 148 mm) 5 × 8" (127 × 203 mm) 8 × 10" (203 × 254 mm)
Paper types	Plain bond paper, air mail

Photo Quality Ink Jet Note Cards (with envelopes):

Size	A6 (105 × 148 mm)
Paper types	Plain bond paper, air mail

Photo Quality Ink Jet Greeting Cards (with envelopes):

Size	5 × 8" (127 × 203 mm) 8 × 10" (203 × 254 mm)
Paper types	Plain bond paper, air mail

Photo Quality Self Adhesive Sheets:

Size	A4 (210 × 297 mm)
Paper types	Special paper distributed by EPSON

Matte Paper - Heavyweight:

Size	A4 (210 × 297 mm) Letter (216 × 279 mm)
Paper types	Special paper distributed by EPSON

Double-Sided Matte Paper:

Size	A4 (210 × 297 mm) Letter (216 × 279 mm)
Paper types	Special paper distributed by EPSON

Photo Paper:

Size	A4 (210 × 297 mm) Letter (216 × 279 mm) 4 × 6"(113.6 × 175.4 mm) 4 × 6"(102 × 152 mm) No Perforations 100 × 150 mm 200 × 300 mm
Paper types	Special paper distributed by EPSON

Glossy Photo Paper:

Size	Letter (216 × 279 mm)
Paper types	Special paper distributed by EPSON

Premium Glossy Photo Paper:

Size	A4 (210 × 297 mm) Letter (216 × 279 mm) 5 × 7"(127 × 178 mm) 100 × 150 mm
Paper types	Special paper distributed by EPSON

Premium Semigloss Photo Paper:

Size	A4 (210 × 297 mm) Letter (216 × 279 mm)
Paper types	Special paper distributed by EPSON

Premium Luster Photo Paper:

Size	Letter (216 × 279 mm)
Paper types	Special paper distributed by EPSON

ColorLife™ Photo Paper:

Size	A4 (210 × 297 mm) Letter (216 × 279 mm)
Paper types	Special paper distributed by EPSON

Ink Jet Transparencies:

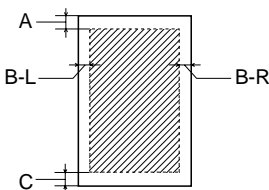
Size	A4 (210 × 297 mm) Letter (216 × 279 mm)
Paper types	Special paper distributed by EPSON

Note:

- ❑ *Poor quality paper may reduce the print quality and cause paper jams or other problems. If you have print quality problems, switch to a higher grade paper.*
- ❑ *Do not load curled or folded paper.*
- ❑ *Use paper under normal conditions:
Temperature 15 to 25°C (59 to 77°F)
Humidity 40 to 60% RH*

Printable area

Refer to the appropriate section for printable area of a single sheet using copy mode.



The diagonal lines indicates printable area.

	Standard Copy	Small Margins Copy	BorderFree Copy
A: top margin	3.0 mm (0.12")	1.5 mm (0.6")	0 mm
B-L: left margin	3.0 mm (0.12")	1.5 mm (0.6")	0 mm
B-R: right margin	3.0 mm (0.12")	1.5 mm (0.6")	0 mm
C: bottom margin	3.0 mm (0.12")	1.5 mm (0.6")	0 mm

Note:

Depending on the type of paper used, print quality may decline in the top and bottom areas of the printout, or these areas may be smeared.

EPSON OVERSEAS MARKETING LOCATIONS

Epson America, Inc.

3840 Kilroy Airport Way
Long Beach, CA 90806
Phone: (562) 981-3840
Fax: (562) 290-5220

EPSON UK LTD.

Campus 100, Maylands Avenue,
Hemel Hempstead, Herts,
HP2 7TJ, U.K.
Phone: (+44) 01442 261144
Fax: (+44) 01442 227227

EPSON DEUTSCHLAND GmbH

Zülpicher Straße 6,
40549 Düsseldorf Germany
Phone: (0211) 56030
Fax: (0211) 5047787

EPSON FRANCE S.A.

68 bis, rue Marjolin
92300, Levallois-Perret, France
Phone: 33.1.41.86.26.56
Telex: 610657

EPSON AUSTRALIA PTY. LTD.

70 GIBBES STREET,
CHATSWOOD 2067 NSW.
Phone: 2-9903-9000
Fax: 2-9903-9177

EPSON SINGAPORE PTE. LTD.

No. 1 Temasek Avenue #36-00
Millenia Tower, Singapore 039192
Phone: (065) 633 77 911
Fax: (065) 633 41 185

EPSON HONG KONG LTD.

Rooms 4706-10, 47/F,
China Resources Bldg.,
26 Harbour Road, Wanchai, Hong Kong
Phone: 2585-4300
Fax: 2827-7083

EPSON TAIWAN TECHNOLOGY & TRADING LTD.

14F, No.7, Song Ren Road, Taipei,
Taiwan 110
Phone: (02) 8786-6688
Fax: (02) 8786-6633

EPSON ITALIA S.p.A.

V.le F.lli Casiraghi 427
20099 Sesto S.Giovanni
MI, Italy
Phone: +3902262331
Fax: +39022440750

EPSON IBERICA S.A.

Av. de Roma, 18-26
08290 Cerdanyola del Valles
Barcelona, Spain
Phone: 582. 15.00
Fax: 582. 15.55

SEIKO EPSON CORPORATION (Hirooka Office)

80 Harashinden, Hirooka
Shiojiri-shi, Nagano-ken
399-0785 Japan

EPSON PORTUGAL, S.A.

R. do Progresso, 471, 1º Perafita
4460 Matosinhos, Portugal
Phone: (02) 996 14 02
Fax: (02) 996 14 11

EPSON

All in One Product



MEMORY STICK PRO™



EPSON STYLUS™ PHOTO RX510

Basic Operation Guide