

All in One Product

EPSON STYLUS™ **PHOTO RX430** Series

Basic Operation Guide

Safety Instructions	1
Using the Control Panel	2
Control Panel Functions	2
Copying	4
Loading Paper	4
Placing a Photo or Document on the Document Table	5
Copying Overview	5
Standard Copying	5
Borderless Copying	6
Small Margin Copying	6
Fit to Page Copying	6
Canceling Copying	6
Printing or Scanning	7
Printing Directly from a Memory Card	7
Printing from Your Computer	9
Scanning to Your Computer	9
Canceling Printing	9
Replacing Ink Cartridges	10
Choosing Ink Cartridges	10
Precautions on Ink Cartridge Replacement	10
Replacing an Ink Cartridge	11
Maintenance	12
Checking the Print Head Nozzles and Remaining Ink Levels	12
Cleaning the Print Head	13
Aligning the Print Head	13
Troubleshooting	14
Using the Error Light and Other Lights to Diagnose Errors	14
Clearing Jammed Paper	15
Contacting Customer Support	15
Regional Customer Services	15
Product Information	16
Product Specifications	16

All rights reserved. No part of this publication may be reproduced, stored in a retrieval system, or transmitted in any form or by any means, electronic, mechanical, photocopying, recording, or otherwise, without the prior written permission of Seiko Epson Corporation. The information contained herein is designed only for use with this product. Epson is not responsible for any use of this information as applied to other printers.

Neither Seiko Epson Corporation nor its affiliates shall be liable to the purchaser of this product or third parties for damages, losses, costs, or expenses incurred by the purchaser or third parties as a result of accident, misuse, or abuse of this product or unauthorized modifications, repairs, or alterations to this product, or (excluding the U.S.) failure to strictly comply with Seiko Epson Corporation's operating and maintenance instructions.

Seiko Epson Corporation shall not be liable for any damages or problems arising from the use of any options or any consumable products other than those designated as Original Epson Products or Epson Approved Products by Seiko Epson Corporation.

Seiko Epson Corporation shall not be held liable for any damage resulting from electromagnetic interference that occurs from the use of any interface cables other than those designated as Epson Approved Products by Seiko Epson Corporation.

EPSON® is a registered trademark and EPSON Stylus™ is a trademark of Seiko Epson Corporation.

DPOF™ is a trademark of CANON INC., Eastman Kodak Company, Fuji Photo Film Co., Ltd. and Matsushita Electric Industrial Co., Ltd.

SD™ is a trademark.

Memory Stick, Memory Stick Duo, Memory Stick PRO, and Memory Stick PRO Duo are trademarks of Sony Corporation.

xD-Picture Card™ is a trademarks of Fuji Photo Film Co.,Ltd.

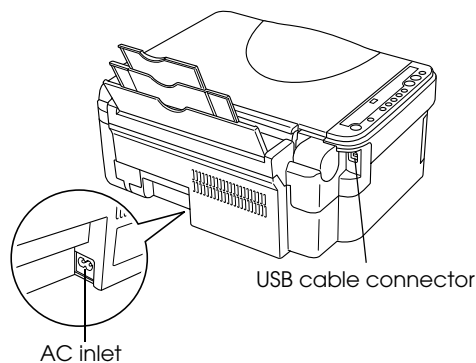
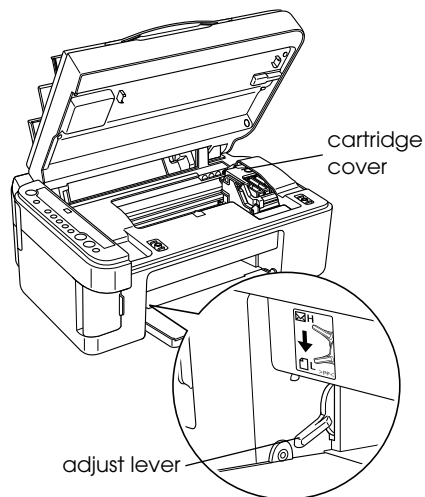
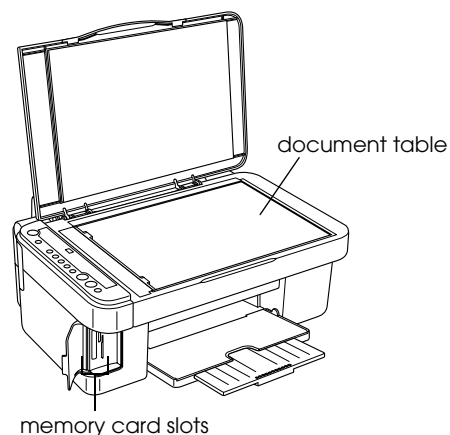
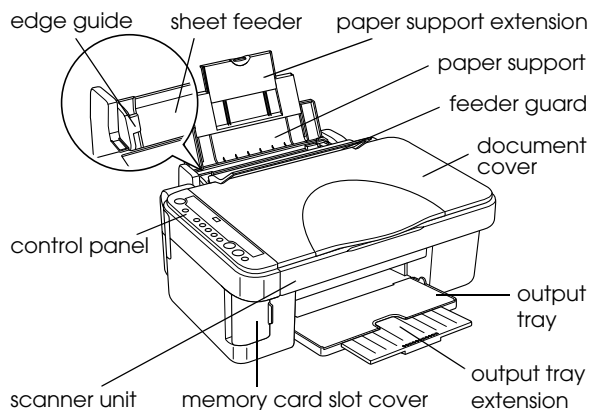
General Notice: Other product names used herein are for identification purposes only and may be trademarks of their respective owners. Epson disclaims any and all rights in those marks.

Copyright © 2004 by Seiko Epson Corporation, Nagano, Japan.



MEMORY STICK PRO™

Parts



Warnings, Cautions, and Notes



Warnings

must be followed carefully to avoid bodily injury.



Cautions

must be observed to avoid damage to your equipment.

Notes

contain important information and useful tips on the operation of your product.

Safety Instructions

Read all of the instructions in this section when setting up and using this product.

When placing this product

- ❑ Avoid places subject to rapid changes in temperature and humidity. Also, keep this product away from direct sunlight, strong light, and heat sources.
- ❑ Avoid places subject to dust, shocks, and vibrations.
- ❑ Leave enough room around this product for sufficient ventilation.
- ❑ Place this product near a wall outlet where you can easily plug in and unplug this product.
- ❑ Place this product on a flat, stable surface that extends beyond this product base in all directions. If you place this product by the wall, leave more than 10 cm between the back of this product and the wall. This product will not operate properly if it is tilted at an angle.
- ❑ When storing or transporting this product, do not tilt it, stand it on its side, or turn it upside down; otherwise, ink may leak from the cartridge.

When choosing a power source

- ❑ Use only the type of power source indicated on the label on the back of this product.
- ❑ Use only the power cord that comes with this product. Use of another cord may cause fire or electric shock.
- ❑ This product's power cord is for use with this product only. Use with other equipment may cause fire or electric shock.
- ❑ Be sure your AC power cord meets the relevant local safety standards.
- ❑ Do not use a damaged or frayed power cord.
- ❑ If you use an extension cord with this product, make sure that the total ampere rating of the devices plugged into the extension cord does not exceed the cord's ampere rating. Also, make sure that the total ampere rating of all devices plugged into the wall outlet does not exceed the wall outlet's ampere rating.
- ❑ If you plan to use this product in Germany, the building installation must be protected by a 10 or 16 amp circuit breaker to provide adequate short-circuit protection and over-current protection for this product.

When using a memory card

- ❑ Do not remove the memory card or turn off this product while the computer and the memory card are communicating (when the memory card access light or On light is flashing).
- ❑ The methods for using memory cards vary according to card type. Be sure to refer to the documentation packaged with your memory card for details.
- ❑ Use only memory cards compatible with this product.

When handling ink cartridges

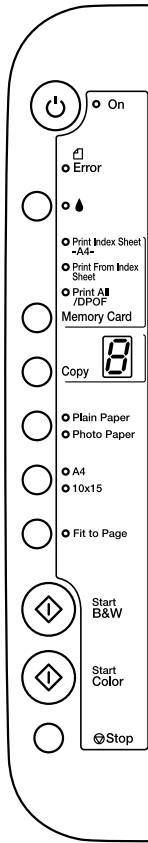
- ❑ Keep the ink cartridge out of the reach of children. Do not allow children to handle it, or drink ink.
- ❑ Be careful when you handle used ink cartridges, as there may be some ink remaining around the ink supply port. If ink gets on your skin, wash the area thoroughly with soap and water. If ink gets into your eyes, flush them immediately with water. If discomfort or vision problems remain after a thorough flushing, see a doctor immediately.

When using this product

- ❑ Do not put your hand inside this product or touch the ink cartridges during printing.
- ❑ Do not open the scanner unit when printing, scanning, or copying.
- ❑ Do not block or cover the openings on this product.
- ❑ Do not attempt to service this product by yourself.
- ❑ Unplug this product and refer servicing to qualified service personnel under the following conditions:
The power cord or plug is damaged; liquid has entered into this product; this product has been dropped or the cover damaged; this product does not operate normally or exhibits a distinct change in performance.
- ❑ Do not insert objects into the slots on this product.
- ❑ Never spill liquid on this product.
- ❑ Do not leave this product with the ink cartridges uninstalled. If it has been left with ink cartridges uninstalled for a long time, the ink remaining in the print head nozzle dries out; this product may become unable to print.

Using the Control Panel

Control Panel Functions



Buttons

Buttons	Function
⏻ On	Turns this product on and off.
⏸	<p>Moves the print head to the ink check position when an ink cartridge that is empty or nearly empty is detected.</p> <p>Moves the print head to the ink cartridge replacement position.</p> <p>Returns the print head to its home position after ink cartridge replacement.</p> <p>Performs print head cleaning if held down for three seconds when the ink light is off.</p>

Memory Card	<p>Enters the Memory Card Mode and selects the memory card print options.</p> <p>The memory card print options are:</p> <p>Print Index Sheet: This is selected when you press the button and the paper type and size are set to Plain Paper and A4.</p> <p>Print From Index Sheet: This is selected automatically after printing the index sheets for a memory card. Press the button repeatedly until this option is selected if you are printing an image from index sheets that were printed previously.</p> <p>Print All/DPOF: Select this option to print all the images on a memory card or print images using the DPOF information stored on the memory card. If a memory card containing DPOF information is inserted into a memory card slot, Print All/DPOF is automatically selected when you press the Memory Card button.</p>
Copy	<p>Enters Copy Mode and allows you to set the number of copies.</p> <p>The number of copies increases by one when this button is pressed once. The number of copies is displayed in the LED window.</p> <p>If you press this button when 9 is displayed as the number of copies, “-” appears in the LED window. This indicates that 100 copies will be made. To make between 10 and 100 copies, make sure that “-” is displayed, then insert the same amount of sheets in the feeder as the number of copies you want made.</p> <p>If you make up to 99 copies, a paper out error will occur when this product finishes making copies and runs out of paper. To clear the error, press the ⏻ Stop button.</p> <p>1 appears in the LED window if this button is pressed when “-” is displayed.</p>
Plain Paper Photo Paper	<p>Selects Plain Paper or Photo Paper as the paper type. Select Plain Paper when using plain paper, Bright White Ink Jet Paper or recycled paper. Select Photo Paper when using Premium Glossy Photo Paper or Premium Semigloss Photo Paper.</p>
A4 10x 15	<p>Selects A4 or 10x 15 as the size of the paper set in the sheet feeder. 10x 15 indicates 10 x 15 cm size paper. You can only copy or print onto A4 or 10 x 15 cm size paper when using the control panel.</p>
Fit to Page	<p>Reduces or enlarges the size of the copied image to fit the selected size of paper.</p>
◇ Start B&W	<p>Copies in grayscale.</p>
◇ Start Color	<p>Copies in color.</p>

⊖ Stop	Stops printing. The sheet being printed is ejected.
--------	---

Lights

Note:

All lights will turn off if no buttons have been pressed for 15 minutes. When a button is pressed, the lights will return to their former state.

Light	Pattern	Status
On	On	Indicates this product is on.
	Flashing (slow)	Indicates this product is copying, printing, receiving data, scanning, accessing a memory card, having an ink cartridge replaced, charging ink, or cleaning the print head.
	Flashing (fast)	Indicates this product is being turned off.
Error	On or Flashing	Indicates that an error has occurred. (For details, see "Troubleshooting" on page 14.)
△	Flashing	Indicates that the ink level in a cartridge is low. Continue to use it until it is empty.
	On	Indicates that an ink cartridge is empty or missing.
Memory Card (Print Index Sheet, Print From Index Sheet, Print All/DPOF)	On	Indicates that memory card printing is selected and the print option has been selected.

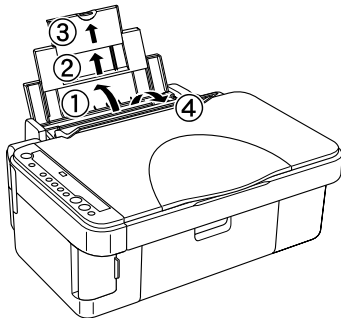
Copy (LED window)	1 to 9	Indicates the number of copies.
	-	Indicates that 100 copies will be made.
	E	Indicates that an error has occurred.
	H	Indicates that the adjust lever has been set to the <input checked="" type="checkbox"/> position.
	L	Indicates that the adjust lever has been set to the standard <input type="checkbox"/> position.
	. (dot)	Indicates that the control panel is operating at reduced power. (The product switches to this mode after 15 minutes of inactivity. The panel reverts to normal power when any key other than the ⊖ On button is pressed.)
Plain Paper Photo Paper	On	Indicates the selected paper type.
A4 10x 15	On	Indicates the selected paper size. 10x 15 indicates 10 × 15 cm size paper.
Fit to Page	On	Indicates that the product has been set to copy the original so that it fits to the selected paper size.
Memory card access Light	On	Indicates that a memory card has been inserted into the memory card slot.
	Flashing	Indicates that the product is reading/writing data from the memory card. Never eject a card while this light or the On light is flashing, otherwise the data on the card may be damaged.

Copying

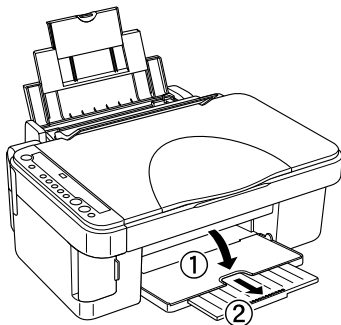
This section describes how to make copies using the control panel. For information on copying using a computer, see the *Online Reference Guide*.

Loading Paper

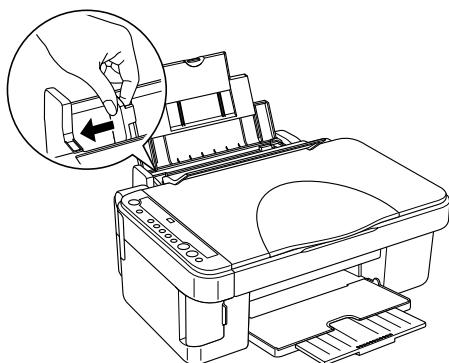
1. Open the paper support, then slide out the extension, and then open the feeder guard.



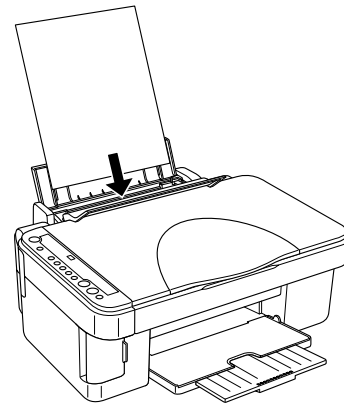
2. Lower the output tray and slide out the extension.



3. Slide out the left edge guide so that the distance between the two edge guides is slightly wider than the paper you are going to load.



4. Load the paper with the printable side up so it is against the right edge guide, and slide it into the sheet feeder.



5. Slide the left edge guide so that it meets the left edge of the paper.

Note:

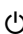
- Always load paper short edge first into the sheet feeder.
- Make sure that the paper stack is flush with or lower than the triangular load-limit mark on the edge guide.
- Make sure that the paper is loaded under the tabs inside the edge guides.
- Ensure that you set the adjust lever to the position. If you print on paper other than envelopes when the lever is set to the position, print quality and speed will be compromised.

6. Set the feeder guard back.

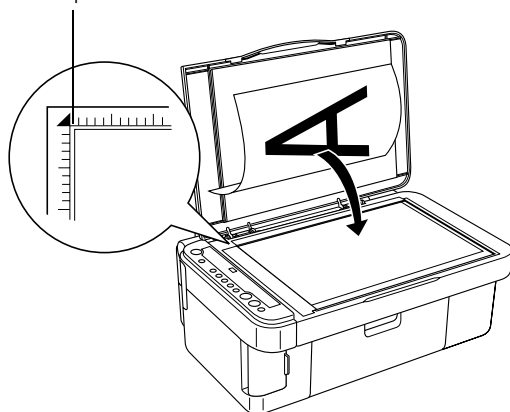
Note:

The print result is affected by the kind of paper you use. For the best quality, use the appropriate paper. See "Paper specifications" on page 17 for information on the available paper types.

Placing a Photo or Document on the Document Table

1. Press the  On button to turn on this product.
2. Open the document cover. Place the original document facing down on the document table. Make sure that the document is properly aligned.

Align the document with the pointer mark at the top left of the document table.



Caution:

- Never open the document cover beyond its limit by intention.
- Do not place heavy objects on top of this product.

3. Close the document cover gently so that the document does not move.

Note:

- To copy the document properly, close the document cover to prevent interference from the external light.
- Do not leave photographs on the document table for an extended period of time. They may stick to the glass of the document table.

Copying Overview

This product can be used to make copies in the following ways.

Standard:

makes copies with a 3 mm margin.

Borderless:

makes copies without margins on photo paper. Use this function for copying photos.

Small margin:

makes copies with a 1.5 mm margin, thus increasing the printable area.

Fit to page:

reduces or enlarges the size of the copy so that the scanned image fits to A4 or 10 × 15 cm.

Each of the above copying modes is available by making the appropriate settings as shown in the following table.


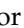
Copying mode	Paper type	Paper size	Fit to page
Standard	Plain Paper	A4, 10×15	Off
Small margin	Photo Paper	A4, 10×15	Off
Borderless	Photo Paper	A4, 10×15	On
Fit to Page	Plain Paper	A4, 10×15	On
	Photo Paper	A4, 10×15	On

Refer to the appropriate section that follows for the detailed procedures on making copies with each mode.

Standard Copying

1. Follow the steps in "Loading Paper" on page 4.
2. Follow the steps in "Placing a Photo or Document on the Document Table" on page 5.
3. Press the Copy button repeatedly until the desired number of copies is displayed in the LED window.

Note:

- To make between 10 and 100 copies, press the Copy button repeatedly until "-" is displayed. For more information about the "-" sign, see "Buttons" on page 2.
 - After approximately every 10 sheets have been printed, remove the sheets from the output tray.
4. Press the paper type button to select Plain Paper. For more information about selecting the paper type, see "Buttons" on page 2.
 5. Press the paper size button to select A4 or 10×15. For more information about selecting the paper size, see "Buttons" on page 2.
 6. Press the  Start Color button to copy in color, or the  Start B&W button to copy in grayscale.



Caution:

Never open the scanner unit while scanning or copying; otherwise, you may damage this product.

Note:

- ❑ Do not pull the paper out of this product.
- ❑ The copied image may not have exactly the same size as the original.
- ❑ If the ink light flashes to indicate low ink while you are copying, you can either continue making copies until the ink runs out, or stop making copies and then replace the ink cartridge.

Draft copying

You can copy a document or photo faster than with standard copying using the draft copying function.

Note:

- ❑ The quality of the copy made with draft copying is not as high as the quality of copies made with standard copying.
 - ❑ Draft copying is only possible when A4 and Plain Paper are selected.
 - ❑ To create a draft copy, other colors of ink are mixed with black ink even when the original is a black and white document.
1. Follow steps 1 to 5 in “Standard Copying” on page 5.
 2. Whilst pressing the ⏹ Stop button, press the ⬠ Start Color button to copy in color or the ⬠ Start B&W button to copy in grayscale.

Borderless Copying

1. Follow the steps in “Loading Paper” on page 4.
2. Follow the steps in “Placing a Photo or Document on the Document Table” on page 5.
3. Follow step 3 in “Standard Copying” on page 5.
4. Press the paper type button to select Photo Paper.
5. Press the paper size button to select A4 or 10x15. For more information about selecting paper size, see “Buttons” on page 2.
6. Press the Fit to Page button. The Fit to Page light comes on.
7. Proceed with step 6 in “Standard Copying” on page 5.

Small Margin Copying

1. Follow steps 1 to 3 in “Standard Copying” on page 5.
2. Press the paper type button to select Photo Paper.
Note:
You cannot make a copy with small margins when Plain Paper is selected.
3. Press the paper size button to select A4 or 10x 15. For more information about selecting paper size, see “Buttons” on page 2.
4. Proceed with step 6 in “Standard Copying” on page 5.

Fit to Page Copying

Note:

You can only reduce or enlarge the scanned image to A4 or 10 × 15 cm.

1. Follow steps 1 to 3 in “Standard Copying” on page 5.
2. Press the paper type button to select Plain Paper or Photo Paper. For more information about selecting the paper type, see “Buttons” on page 2.
3. Press the paper size button to select A4 or 10x 15. For more information about selecting the paper size, see “Buttons” on page 2.
4. Press the Fit to Page button. The Fit to Page light comes on.
5. Proceed with step 6 in “Standard Copying” on page 5.

Canceling Copying

To cancel copying, press the ⏹ Stop button. Once this has been pressed, all lights on the control panel will light up briefly.

Note:

Do not pull the paper out of this product. The paper being copied will come out automatically to the output tray.

Printing or Scanning

This section describes how to print photos directly from a memory card without using a computer, print from your computer and scan images to your computer.

Printing Directly from a Memory Card

This product allows you to print photos directly from a memory card without using a computer.

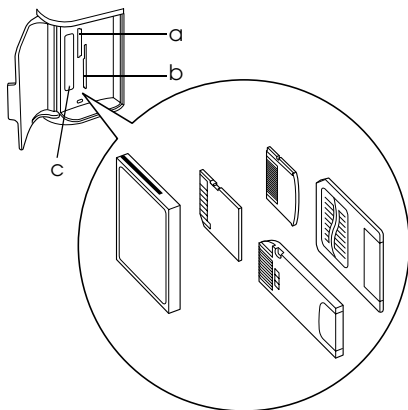
Note:

- ❑ *You can only print in color when printing from a memory card. You cannot print in black and white (monochrome).*
- ❑ *Before printing large jobs, try a single sheet to confirm the print quality.*
- ❑ *We recommend that you disconnect the USB cable when printing directly from a memory card; if you are printing directly from a memory card with the USB cable connected, the print operation may take longer time.*

Loading and removing memory cards

Insert a memory card into the memory card slot at the front of the product.

This product features three memory card slots.



The types of memory cards loadable for each slot are shown below.

Slot	Card
a	Memory Stick/MagicGate Memory Stick/ Memory Stick Duo*/ Memory Stick PRO/Memory Stick PRO Duo*/ SD Card/miniSD Card*/MultiMediaCard
b	SmartMedia/xD-Picture Card
c	CompactFlash/Microdrive

* An adapter is required.

To remove a memory card, grasp the card between your thumb and forefinger and pull it out of the memory card slot.

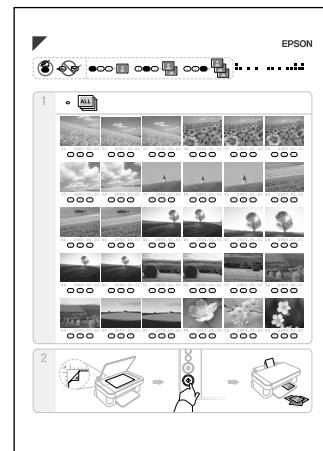


Caution:

Make sure that the memory card access light is off before removing a memory card.

Printing selected photos from the memory card


Using an Index Sheet is an easy and convenient way to print directly from a memory card. The Index Sheet gives you a thumbnail view of photos stored on the memory card.



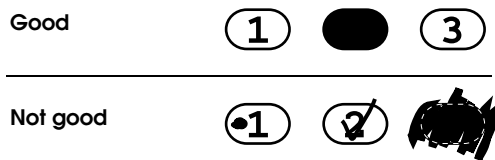
Print an Index Sheet and mark the photo or photos you want to print from the memory card.

1. Follow the steps in "Loading and Removing Memory Cards" on this page to load a memory card.
2. Press the Memory Card button repeatedly until the Print Index Sheet light is lit.
3. Make sure that the mode is set to Print Index Sheet and that A4 and Plain Paper are selected for the paper size and type.
4. Follow the steps in "Loading Paper" on page 4 to load A4 plain paper.

Note:

- You can only use A4 plain paper to print an Index Sheet.
 - You cannot print more than one Index Sheet at a time, and cannot select the layout.
 - The Index Sheet may be several pages long, depending on the number of photos you have on the memory card.
5. Press the  Start Color button to start printing the Index Sheet.
 6. On the Index Sheet, use a dark pen to fill in the circles underneath the photo or photos that you want to print, and the number of prints to be printed for each photo.

See the examples below.

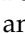


Note:

- If you fill more than one circle, this product will print the largest number you chose.
 - When you fill in the circle on the left of ALL, all photos are printed one at a time.
7. Place the Index Sheet face down so it is aligned with the pointer mark at the top left of the document table and with the top of the Index Sheet along the left edge of the document table.
 8. Press the paper type button to select Plain Paper or Photo Paper. For more information about selecting paper type, see "Buttons" on page 2.

Note:

This product will print with a border when Plain Paper is selected and without a border when Photo Paper is selected.

9. Press the paper size button to select A4 or 10×15. For more information about selecting paper size see "Buttons" on page 2.
10. Follow the steps in "Loading Paper" on page 4, and press the  Start Color button to start printing.
11. If there is more than one page to the Index Sheet, repeat steps 7 to 10.
12. Follow the step in "Loading and removing memory cards" on page 7 to eject a memory card when printing is finished.

Printing all photos on a memory card

Using this feature, you can print all photos stored on a memory card.


Note:

If the memory card contains DPOF information, the product uses this information when printing images from the memory card. If the memory card does not contain DPOF information, one copy of all the images on the card will be printed. You cannot print two or more copies of images when this option is selected.

1. Follow the steps in "Loading and removing memory cards" on page 7 to load a memory card and follow the steps in "Loading Paper" on page 4 to load paper.
2. Press the Memory Card button repeatedly until the Print All/DPOF light is lit.
3. Press the paper type button to select Plain Paper or Photo Paper. For more information about selecting a paper type, see "Buttons" on page 2.

Note:

This product will print with a border when Plain Paper is selected and without a border when Photo Paper is selected.

4. Press the paper size button to select A4 or 10×15. For more information about selecting paper size see "Buttons" on page 2.
5. Press the  Start Color button to start printing.
6. Follow the steps in "Loading and removing memory cards" on page 7 to eject a memory card once printing has finished.

Printing from Your Computer

Note:

Make sure that this product is connected to your computer and the necessary software has been installed on your computer. For more information, see the Setup Sheet.

1. Follow the steps in “Loading Paper” on page 4.
2. Using the appropriate application on your computer, open the file you want to print.
3. Click Print on the File menu.
4. If the Print dialog box appears, click Print to start printing.

The selected data will be printed. The On light flashes as this product receives and prints the data.

Note:

- The above procedure for printing may vary depending on the application you are using. For details, see the documentation provided with your application.
- For detailed information on print settings, see the Online Reference Guide.

Scanning to Your Computer

Note:

Make sure that this product is connected to your computer and the necessary software has been installed on your computer. For more information, see the Setup Sheet.

1. Follow the steps in “Placing a Photo or Document on the Document Table” on page 5.
2. Start EPSON Smart Panel.

For more information, see “Starting EPSON Smart Panel” in the Online Reference Guide.

3. Click the Scan and Save icon on the EPSON Smart Panel.
4. Specify the Location, File Name, and Image Format settings.
5. Click Scan and Save to start scanning.

Once the image has been scanned, it is saved with the name and format specified in Step 4, to the location specified in step 4.

Canceling Printing

To cancel printing, press the ⏹ Stop button. All lights come on for one second.

Note:

Do not pull on the paper. The paper being printed will come out automatically to the output tray.

Replacing Ink Cartridges

This product monitors the amount of ink left in each cartridge, using an IC chip built into the cartridge. If it detects the ink is low or running out, the ink light will come on or start flashing, or a message will be displayed on your computer to notify you of the ink cartridge to replace.

Choosing Ink Cartridges

You can use the following cartridges with this product.

Black ink cartridge	Black	T0561
Color ink cartridge	Cyan Magenta Yellow	T0562 T0563 T0564



Caution:

Epson recommends the use of genuine Epson ink cartridges. Epson warranties do not cover damage to your product caused by the use of ink cartridges not manufactured by Epson.

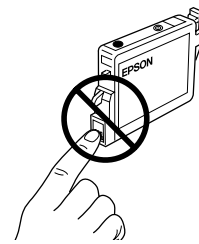
To check when it is time to replace an ink cartridge using the control panel, see Δ in “Lights” on page 3.

Precautions on Ink Cartridge Replacement

Read all of the instructions in this section and “When handling ink cartridges” on page 1 before replacing the ink cartridges.

- ❑ Do not open the ink cartridge packages until just before you install them.
- ❑ If you need to remove an ink cartridge temporarily from this product, be sure to protect the ink supply area of the ink cartridge from dirt and dust. Store the ink cartridge in the same environment as this product. When storing the cartridge, be sure that its label identifying the color of the ink cartridge is facing upward. Do not store ink cartridges upside down.
- ❑ The valve in the ink supply port is designed to contain any excess ink that may be released. However, careful handling is recommended. Do not touch the supply port of the ink cartridge or its surrounding area.

- ❑ Be sure to always install an ink cartridge into this product immediately following the removal of the current ink cartridge. If the ink cartridge is not installed promptly, the print head may dry out, rendering it unable to print.
- ❑ Be careful not to break the hooks on the side of the ink cartridge when you remove it from its package.
- ❑ Do not shake the ink cartridges; this can cause leakage.
- ❑ Do not remove or tear the label on the cartridge; otherwise, ink will leak.
- ❑ This product uses ink cartridges equipped with an IC chip. The IC chip accurately monitors the amount of ink used by each cartridge, so even if a cartridge is removed and then later inserted again, all of its ink can be used. However, some ink is consumed each time the cartridge is inserted because this product automatically checks its reliability.
- ❑ Do not touch the green IC chip on the side of the cartridge. This can damage the ink cartridge.



- ❑ When an ink cartridge becomes empty, you cannot continue copying or printing even if the other cartridges still contain ink. Before copying or printing, replace the empty cartridge.
- ❑ In addition to being used in document copying or printing, ink is also consumed in the following operations: print head cleaning, self-cleaning cycle performed when this product is turned on, and ink charging when an ink cartridge is installed in this product.
- ❑ Do not refill the ink cartridges. This product calculates the amount of ink remaining using an IC chip built into an ink cartridge. Even if the cartridge is refilled, the amount of ink remaining is not recalculated by the IC chip and therefore the amount of ink available for use does not change.
- ❑ After an ink cartridge is replaced, if the ink is low it may become empty. When the Ink light flashes to indicate the ink is low, prepare a new ink cartridge.

Replacing an Ink Cartridge

To replace an ink cartridge using the Δ Ink button, follow the steps below.

Note:

The illustrations show replacement of the cyan ink cartridge. Replace the ink cartridge appropriate to your situation.

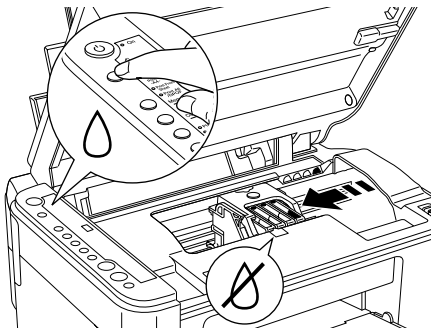
1. Make sure that this product is on. The On light should be on, but not flashing.
2. Make sure that the document cover is closed, and then open the scanner unit.



Caution:

Do not open the scanner unit when the document cover is still open.

3. Press the Δ Ink button. The print head moves to the ink cartridge check position and the On light and the Ink light begin to flash. The ink cartridge indicated by the \emptyset mark is either empty or low.



Note:

- ❑ Do not press the Δ Ink button for more than three seconds. Otherwise this product starts cleaning the print head.
- ❑ If any ink cartridge is not low or empty, the print head moves to the ink cartridge replacement position without moving to the ink cartridge check position. Proceed to step 5.

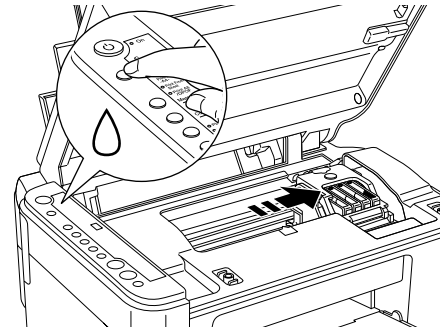


Caution:

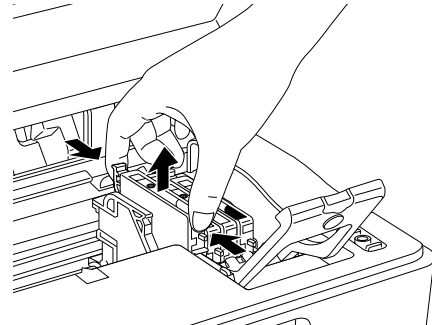
Do not move the print head by hand, as this may damage this product. Always press the Δ Ink button to move it.

4. Press the Δ Ink button.
If more than one ink cartridge is empty or low, the print head moves so that the empty or low ink cartridge is indicated by the \emptyset mark. This occurs each time the Δ Ink button is pressed until all empty or low ink cartridges have been indicated.

Once all of the empty or low ink cartridges have been indicated, the print head moves to the ink cartridge replacement position when the Δ Ink button is pressed.



5. Remove the new ink cartridge from the package.
6. Open the cartridge cover. Pinch the sides of the ink cartridge that you want to replace. Lift the cartridge out of this product and dispose of it properly. Do not take the used cartridge apart or try to refill it.



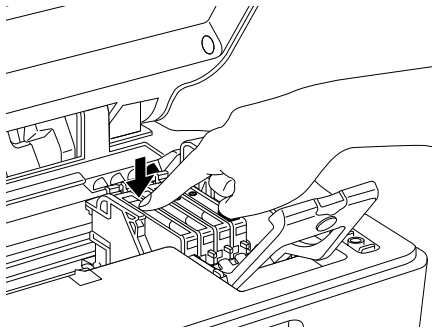
The illustration shows replacement of the cyan ink cartridge.



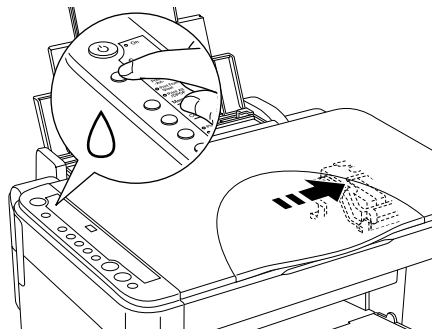
Warning:

If ink gets on your hands, wash them thoroughly with soap and water. If ink gets into your eyes, flush them immediately with water. If discomfort or vision problems continue after a thorough flushing, see a doctor immediately.

- Place the replacement ink cartridge vertically into the cartridge holder, then push the ink cartridge down until it clicks into place.



- When you have finished replacing the ink cartridge, close the cartridge cover and press it so that it clicks into place, then close the scanner unit.
- Press the Δ Ink button.



The unit begins charging the ink delivery system. This process takes about one minute to complete. When the ink charging process is finished, The On light stops flashing and remains lit, and the Ink light goes out.

Caution: The On light continues to flash while this product performs the ink charging operation. Never turn off this product while this light is flashing. Doing so can result in incomplete charging of ink.

Note: If the Ink light remains on after the On light stops flashing (and remains lit), the ink cartridge may not be installed correctly. Press the Δ Ink button again, and reinstall the ink cartridge until it clicks into place.

Maintenance

Checking the Print Head Nozzles and Remaining Ink Levels

If you find that the printed image is unexpectedly faint or some dots in the printed image are missing, checking the print head nozzles helps you to identify the problem. You can also check how much ink remains in each ink cartridge.

Follow the steps below to check the print head nozzles and remaining ink levels using the control panel.

- Make sure that A4 paper is loaded in the sheet feeder.
- Make sure that this product is off.
- Press the On button while pressing the Δ Ink button. This product turns on and starts printing the test pattern.
- Check the printout. The printout shows the test pattern and the percentage of ink remaining in each ink cartridge. The following examples illustrate when the print head needs to be cleaned.

Good: print head does not need to be cleaned yet.



Not Good: print head needs to be cleaned.



The actual printouts are printed in color (CMYK).

If the nozzle check result is not good, there is a problem with this product. It may be a clogged ink nozzle or a misaligned print head. To solve these problems, see the next two sections for details.

Cleaning the Print Head

If you find that the nozzle check result is unexpectedly faint or some dots in the printed image are missing, you may be able to solve these problems by cleaning the print head, which ensures that the nozzles are delivering ink properly.

Note:

- ❑ *Print head cleaning uses both color and black ink. To avoid wasting ink, clean the print head only if the copy quality drops (for example, blurred printout, incorrect or missing color).*
 - ❑ *Before cleaning the print head, perform the nozzle check first to see if it really needs to be cleaned. This saves ink.*
 - ❑ *If the Ink light is on to prompt you to replace an ink cartridge, or flashes to indicate that ink is low, you will not be able to clean the print head. In this event, replace the appropriate ink cartridge first.*
1. Make sure this product is on, and the Ink light is off.
 2. Hold down the Δ Ink button for three seconds.

Cleaning of the print head starts and the On light begins flashing.



Caution:

Never turn off this product while the On light is flashing. Doing so may cause damage to the product.

3. When the On light stops flashing, perform a nozzle check to confirm that the print head is clean. See the previous section for details.

Note:

- ❑ *If the print quality has not improved after repeating this procedure four or five times, turn this product off and leave it alone overnight. Then, perform the nozzle check again and repeat head cleaning if necessary.*
- ❑ *If the print quality still has not improved, one or both of your ink cartridges may be old or damaged and may need to be replaced. To replace an ink cartridge, see “Replacing an Ink Cartridge” on page 11.*
- ❑ *To maintain good print quality, we recommend printing a few pages at least once every month.*

Aligning the Print Head

If you notice vertical lines are not aligned properly on the nozzle check result, you may be able to solve this problem by aligning the print head.

You can align the print head from the control panel, or from your computer by using the Print Head Alignment utility included with your product software.

Follow the steps below to align the print head using the buttons on the control panel. However, to align the print head more accurately, use of the Print Head Alignment utility is recommended.

1. Make sure that this product is turned off.
2. Make sure that the adjust lever is set to the \square position.
3. Load A4 paper in the sheet feeder.
4. Press the \odot On button while pressing the Copy button.

An alignment pattern is printed.
5. Look at the alignment pattern and find the patch which is most evenly printed, with no noticeable streaks or lines. Press the Copy button until the number for that patch appears in the LED window.
6. Press the \diamond Start B&W button to confirm your selection.
7. Repeat steps 5 and 6 for each of the other alignment patterns printed by the product. (This product should print four alignment patterns.)

For more details about aligning the print head, see “Aligning the Print Head” in the *Online Reference Guide*.

Troubleshooting

Using the Error Light and Other Lights to Diagnose Errors

You can identify many common problems by checking the Error light and other lights on the control panel. If the product stops working and the Error light is on, use the following table to diagnose the problem, and then try the recommended solution.

Note:

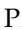
The problems and solutions listed in this table apply when the product is being used as a stand-alone product. Refer to the Online Reference Guide for detailed solutions on problems that may occur when using the product from a computer.

Error light status	Cause	Solution
On	No paper is loaded in the sheet feeder.	Load paper in the sheet feeder, and then press the Start Color button to continue. Press the Stop button to cancel.
	Multiple pages have been fed into the sheet feeder.	Remove and reload the paper, and then press the Start Color button to continue. Press the Stop button to cancel.
Flashing	Paper jam occurs.	Press the Start Color button. If the paper jam is not cleared, remove the jammed paper by hands. See "Clearing Jammed Paper" on page 15.
Off/ Ink light flashing	An ink cartridge is running low on ink.	Open the scanner unit, and then press the Ink button to move the print head to the affected cartridge. Obtain a replacement cartridge for that color ink.
Off/ Ink light on	An ink cartridge is empty, or not installed. An error has occurred with an ink cartridge.	Open the scanner unit, and then press the Ink button to move the print head to the Ø position of the empty cartridge and replace or install the cartridge. See "Replacing an Ink Cartridge" on page 11.

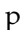

Error light status	Cause	Solution
Flashing/All Memory Card lights flashing/"1" flashing in LED window	A memory card not supported by this product has been inserted.	Remove the incompatible memory card. See "Loading and removing memory cards" on page 7 for details about the types of memory card supported by this product.
	There were no valid images found on the memory card.	Check the settings for the digital camera and that the images are captured in a format supported by this product.
Flashing/Print From Index Sheet light flashing/"2" flashing in LED window	An Index Sheet was not recognized correctly.	Load the Index Sheet correctly on the document table, then press the Start Color button to continue or Stop to cancel printing.
Flashing/Print From Index Sheet light flashing/"3" flashing in LED window	The Index Sheet is marked incorrectly. (No marks are detected.)	Make sure that the Index Sheet is marked correctly, load it on the document table, then press the Start Color button to continue or the Stop button to cancel printing.
Flashing/Print From Index Sheet light flashing/"4" flashing in LED window	The Index Sheet does not match the data on the memory card.	Remove the memory card and insert the card used to print the Index Sheet, then press the Start Color button to continue or the Stop button to cancel printing.
Flashing fast/"H" flashing in the LED window	The adjust lever is set at the ☒ position when copying using the control panel.	Set the adjust lever to the ☐ position. If you set the adjust lever to the ☒ position to avoid blurry or smeared printouts, press the Start Color button to continue. Press the Stop button to cancel.
On/ Ink light on/ All other lights and "E" in the LED window flashing	A part in this product needs replacing.	Contact your dealer.
All lights and "E" in the LED window flashing	Error occurs in the parts in this product.	Turn this product off, and then back on. If the error still occurs, contact your dealer.

Clearing Jammed Paper

If paper is jammed inside this product, the Error light flashes. You may be able to clear the jammed paper using the Control Panel. Follow the instructions below.

1. Press the  Start Color button to eject the jammed paper. If the jammed paper is not ejected, go on to the next step.
2. Locate where the paper is jammed.

If the paper is jammed at the paper feeding position or the ejecting position, gently pull all of the paper out by hand.

If the paper is jammed inside this product, press the  On button to turn off this product. Open the scanner unit, and then remove all of the paper inside by hand, including any torn pieces. Then close the scanner unit and press the  On button.

Contacting Customer Support

Regional Customer Services

If your Epson product is not operating properly and you cannot solve the problem using the troubleshooting information in your product documentation, contact customer support services for assistance. If customer support for your area is not listed below, contact the dealer where you purchased your product.

Note:

For more information on Contacting Customer Support, see the Online Reference Guide.

For users in Australia	URL	http://www.epson.com.au
	Telephone	1300 361 054
	Fax	(02) 9903 9189
For users in Singapore	URL	http://www.epson.com.sg
	Telephone	(65) 6586 3111
For users in Thailand	URL	http://www.epson.co.th
	Telephone	(66)2-670-0333
For users in Vietnam	Telephone	84-8-823-9239
For users in Indonesia	URL	http://www.epson.co.id
	Telephone/ Fax	Jakarta: (62) 21-62301104
		Bandung: (62) 22-7303766
		Surabaya: (62) 31-5355035/31-5477837
		Medan: (62)61-4516173
Telephone	Yogyakarta: (62) 274-565478	
		Makassar: (62)411-350147/411-350148
For users in Hong Kong	URL	http://www.epson.com.hk
	Phone	(852) 2827-8911
	Fax	(852) 2827-4383

For users in Malaysia	URL	http://www.epson.com.my
	Phone	603-56288333
For users in India	URL	http://www.epson.co.in
	Phone	25321266 (14 Lines)
	FAX	25581439/25321095
For users in the Philippines	URL	http://www.epson.com.ph
	Phone	(63) 2-813-6567
	Fax	(63) 2-813-6545
	E-mail	epchelpdesk@epc.epson.com.ph

Product Information

Product Specifications

Electrical

Model	100-120V	220-240V
Input voltage range	90 to 132V	198 to 240V
Rated frequency range	50 to 60 Hz	50 to 60 Hz
Power consumption	Approx. 10 W (Standalone copying ISO10561 Letter pattern) Approx. 1.3 W in sleep mode Approx. 0.2 W in power-off mode	Approx. 10 W (Standalone copying ISO10561 Letter pattern) Approx. 1.6 W in sleep mode Approx. 0.4 W in power-off mode

Note:

Check the label on the back of this product for the voltage information.

Environmental

Temperature	Operation: 10 to 35°C (50 to 95°F)
-------------	------------------------------------

Mechanical

Paper path	Sheet feeder, rear entry
Sheet feeder capacity	About 100 sheets at 64 g/m ² (17 lb) paper
Dimensions	430 mm × 344 mm × 170 mm (W × D × H, not including rubber feet and loading tray)
Weight	6.6 kg (145.5 lb) without ink cartridges

Printing

Printing method	On-demand ink jet
Nozzle configuration	Monochrome (black) 90 nozzles Color (cyan, magenta, yellow) 270 nozzles (90 nozzles per color)

Scanning

Scanner type	Flatbed color image scanner
Document size	8.5 × 11.7" (216 × 297 mm) A4 or US letter size (The reading area can be specified from your software.)
Scanning resolution	1200 dpi (main) 2400 dpi (sub)

Paper

Note:

Since the quality of any particular brand or type of paper may be changed by the manufacturer at any time, Epson cannot guarantee the quality of any non-Epson brand or type of paper. Always test a sample of paper stock before purchasing large quantities or printing large jobs.

Paper specifications

These specifications are only those for when the product is used as a stand-alone copier or printer. See the *Online Reference Guide* for the full specifications of this product.

Plain Paper:

Size	A4 (210 × 297 mm)
Paper type	Plain bond paper, special paper distributed by Epson
Thickness (for plain bond paper)	0.08 to 0.11 mm (0.003 to 0.004 inch)
Weight (for plain bond paper)	64 g/m ² (17 lb) to 90 g/m ² (24 lb)

Bright White Ink Jet Paper:

Size	A4 (210 × 297 mm)
Paper type	Special paper distributed by Epson

Premium Glossy Photo Paper:

Size	A4 (210 × 297 mm) 10 × 15 cm / 4 × 6" (101.6 × 152.4 mm)
Paper type	Special paper distributed by Epson

Premium Semigloss Photo Paper:

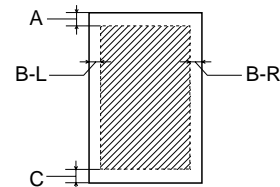
Size	A4 (210 × 297 mm)
Paper type	Special paper distributed by Epson

Note:

- ❑ Poor quality paper may reduce the print quality and cause paper jams or other problems. If you have print quality problems, switch to a higher grade paper.
- ❑ Do not load curled or folded paper.
- ❑ Use paper under normal conditions:
Temperature 15 to 25°C (59 to 77°F)
Humidity 40 to 60% RH
- ❑ The temperature and humidity values listed above are the recommended storage conditions for paper and are not the specifications for the operating conditions of this product.

Printable area

The diagonal lines in the following illustration indicates the printable area of a single sheet when using copy mode.



	Standard Copy	Small Margins Copy	Borderless Copy
A: top margin	3.0 mm (0.12")	1.5 mm (0.6")	0 mm
B-L: left margin	3.0 mm (0.12")	1.5 mm (0.6")	0 mm
B-R: right margin	3.0 mm (0.12")	1.5 mm (0.6")	0 mm
C: bottom margin	3.0 mm (0.12")	1.5 mm (0.6")	0 mm

Note:

- ❑ Depending on the type of paper used, print quality may decline in the top and bottom areas of the printout, or these areas may be smeared.
- ❑ The precise margins vary slightly depending on the loading conditions.

EPSON OVERSEAS MARKETING LOCATIONS

Epson America, Inc.

3840 Kilroy Airport Way
Long Beach, CA 90806
Phone: (562) 981-3840
Fax: (562) 290-5220

EPSON UK LTD.

Campus 100, Maylands Avenue,
Hemel Hempstead, Herts,
HP2 7TJ, U.K.
Phone: (+44) 01442 261144
Fax: (+44) 01442 227227

EPSON DEUTSCHLAND GmbH

Zülpicher Straße 6,
40549 Düsseldorf Germany
Phone: (0211) 56030
Fax: (0211) 5047787

EPSON FRANCE S.A.

68 bis, rue Marjolin
92300, Levallois-Perret, France
Phone: 33.1.41.86.26.56
Telex: 610657

EPSON AUSTRALIA PTY. LTD.

70 GIBBES STREET,
CHATSWOOD 2067 NSW.
Phone: 2-9903-9000
Fax: 2-9903-9177

EPSON SINGAPORE PTE. LTD.

No. 1 Temasek Avenue #36-00
Millenia Tower, Singapore 039192
Phone: (065) 633 77 911
Fax: (065) 633 41 185

EPSON HONG KONG LTD.

20/F Harbour Centre,
25 Harbour Road,
Wanchai, Hong Kong
Phone: 2585-4300
Fax: 2827-7083

EPSON TAIWAN TECHNOLOGY & TRADING LTD.

14F, No.7, Song Ren Road, Taipei,
Taiwan 110
Phone: (02) 8786-6688
Fax: (02) 8786-6633

EPSON ITALIA S.p.A.

V.le F.lli Casiraghi 427
20099 Sesto S.Giovanni
MI, Italy
Phone: +3902262331
Fax: +39022440750

EPSON IBERICA S.A.

Av. de Roma, 18-26
08290 Cerdanyola del Valles
Barcelona, Spain
Phone: 582. 15.00
Fax: 582. 15.55

**SEIKO EPSON CORPORATION
(Hirooka Office)**

80 Harashinden, Hirooka
Shiojiri-shi, Nagano-ken
399-0785 Japan

EPSON PORTUGAL, S.A.

R. do Progresso, 471, 1° Perafita
4460 Matosinhos, Portugal
Phone: (02) 996 14 02
Fax: (02) 996 14 11

2003 November