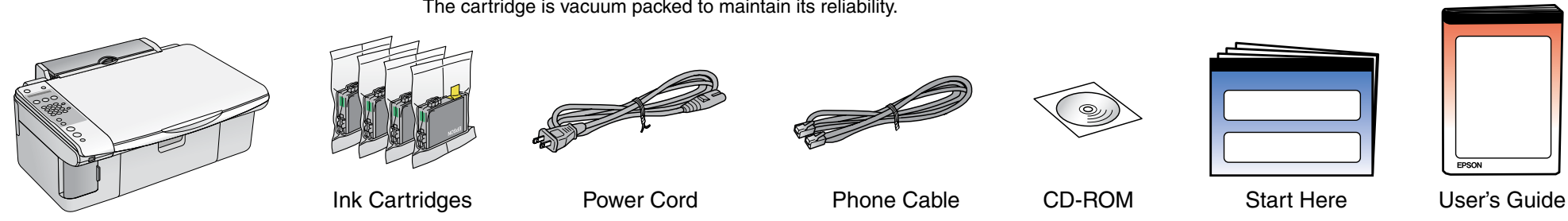


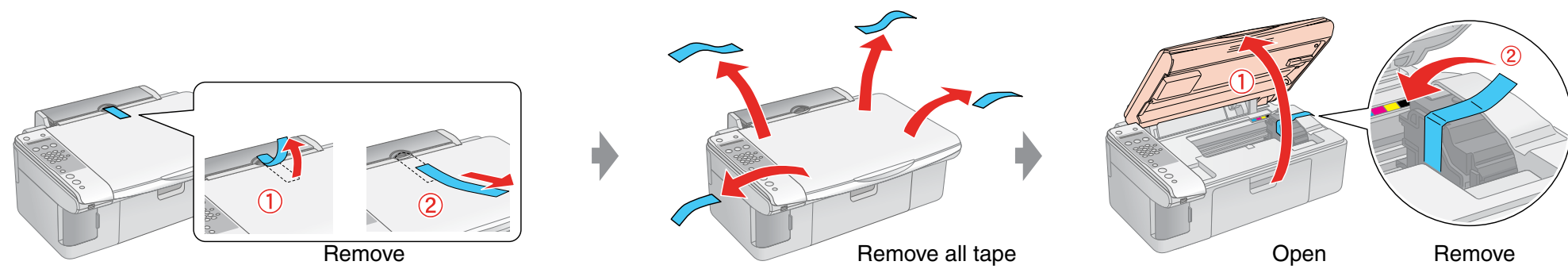
Start Here

1. Unpacking

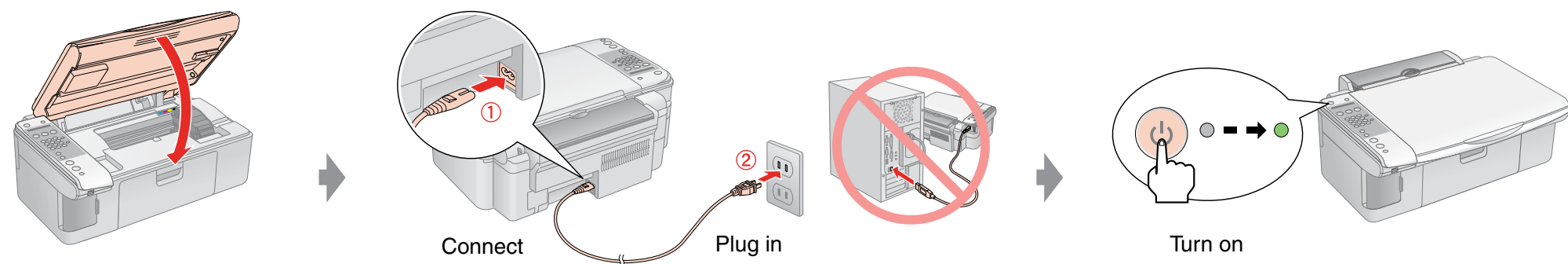
Note:
Do not open the ink cartridge package until you are ready to install it in the printer.
The cartridge is vacuum packed to maintain its reliability.



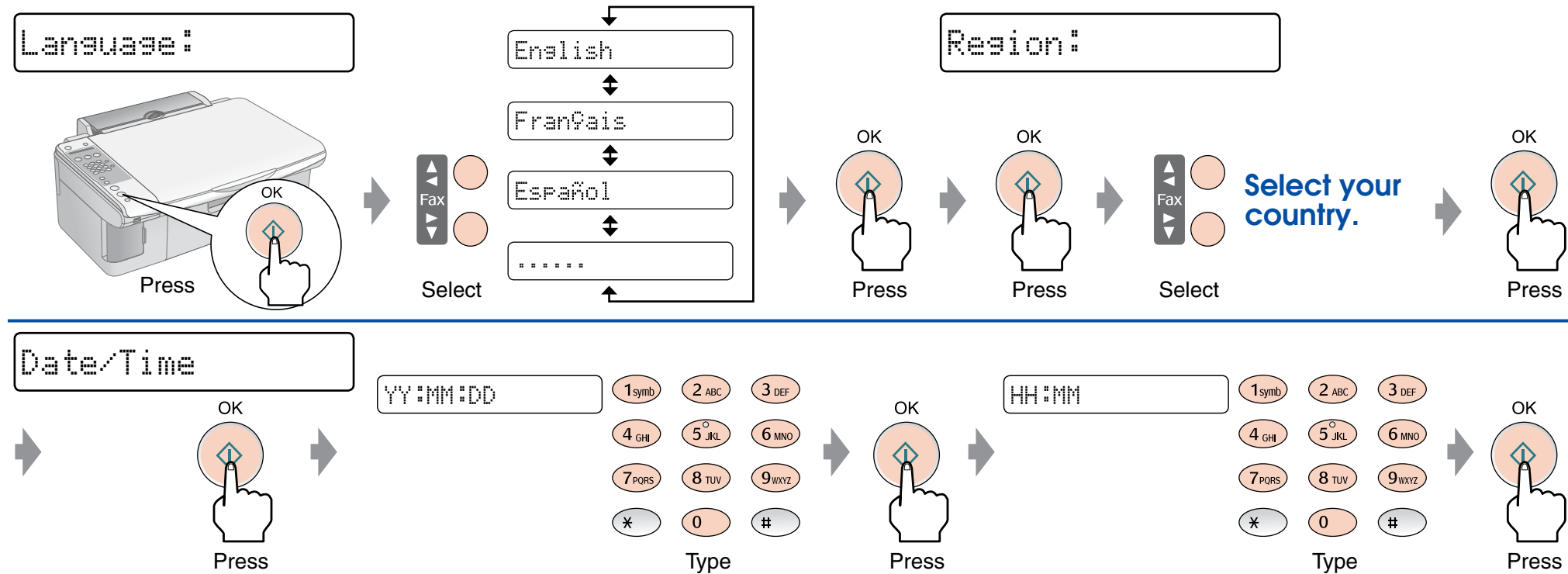
2. Removing Protective Tape



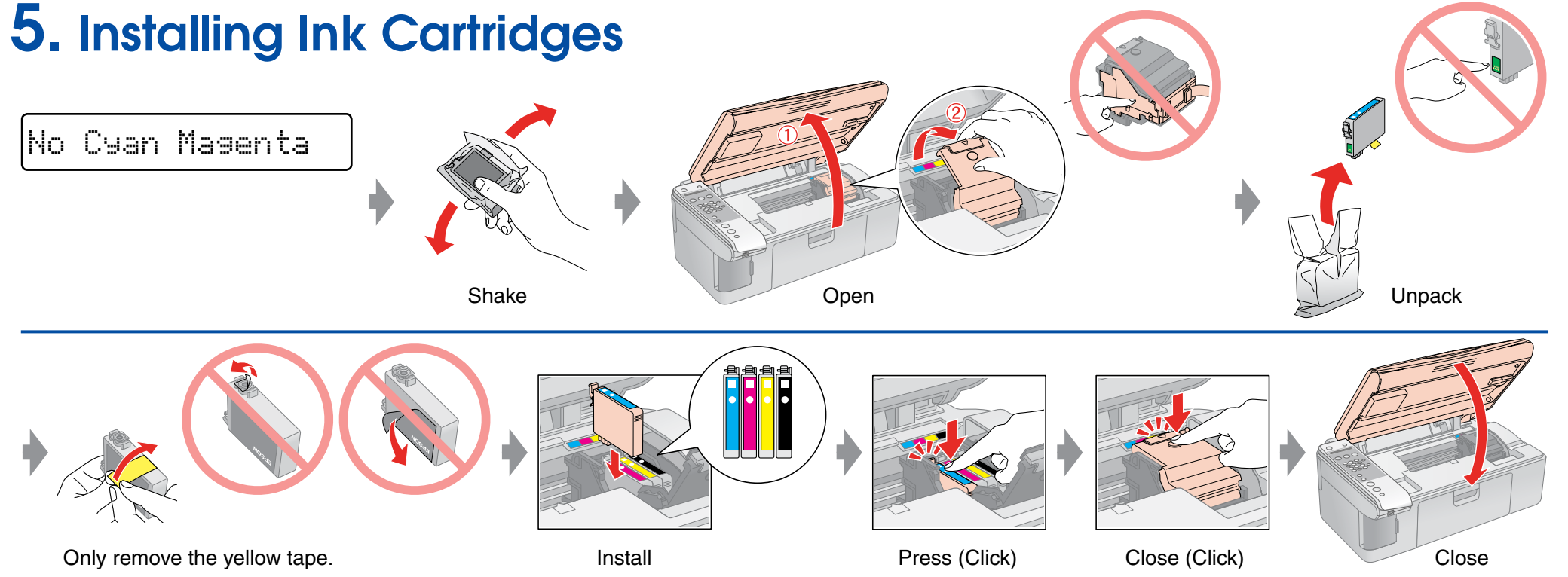
3. Turning On



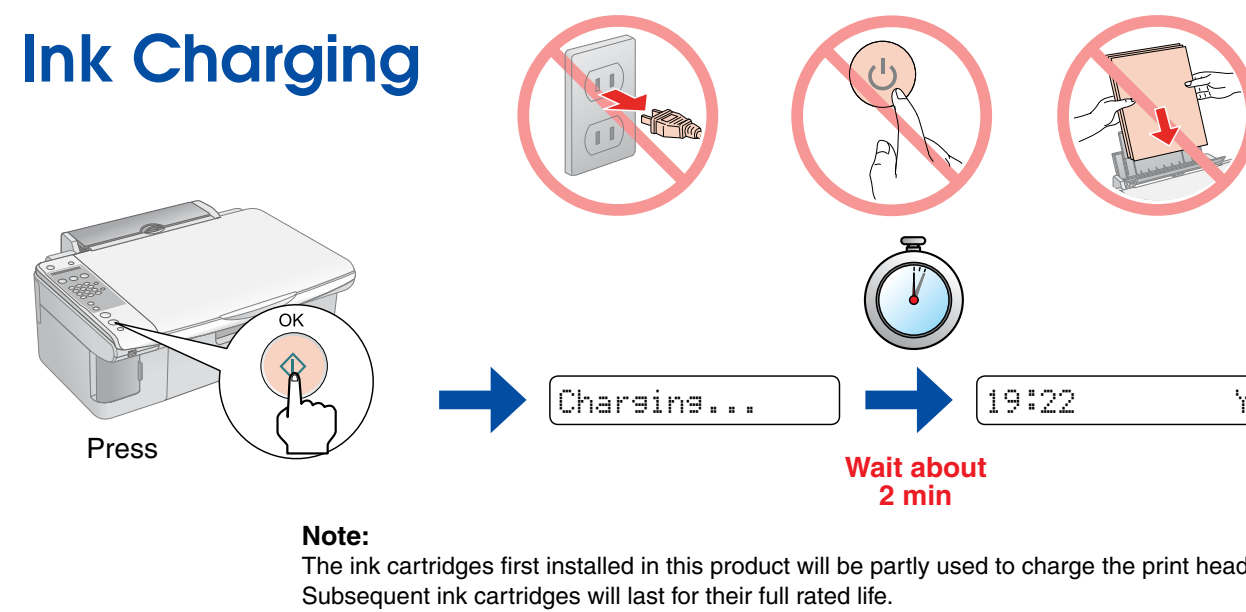
4. Setting Up LCD Panel Display



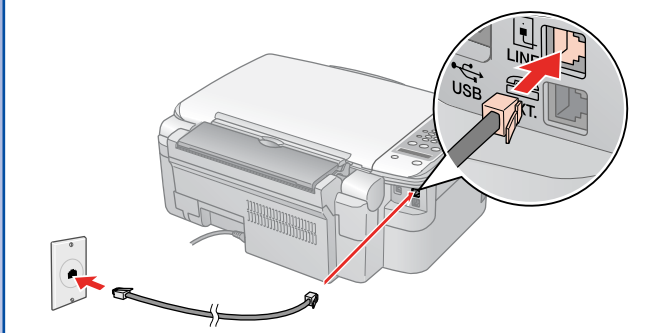
5. Installing Ink Cartridges



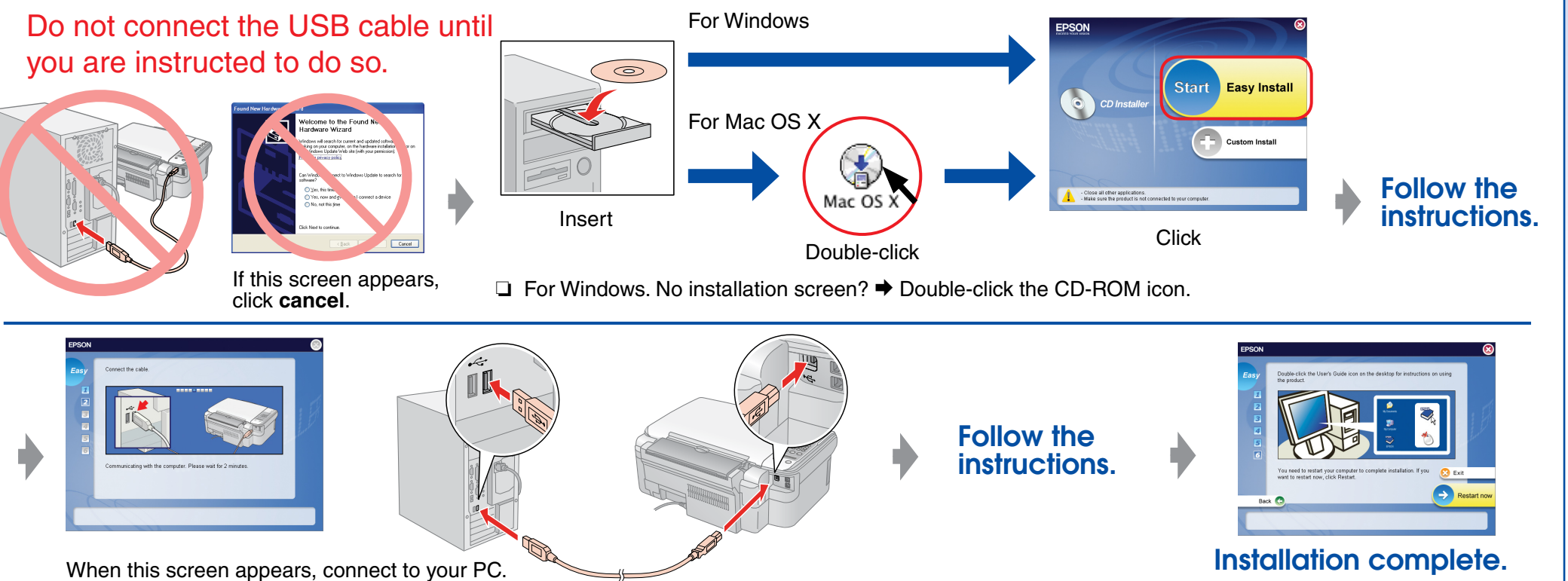
6. Ink Charging



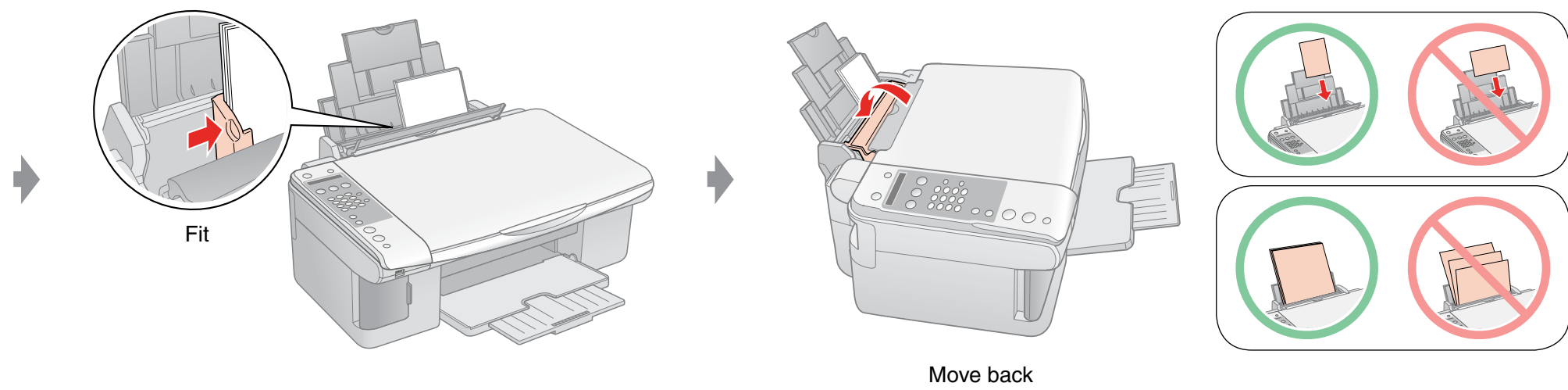
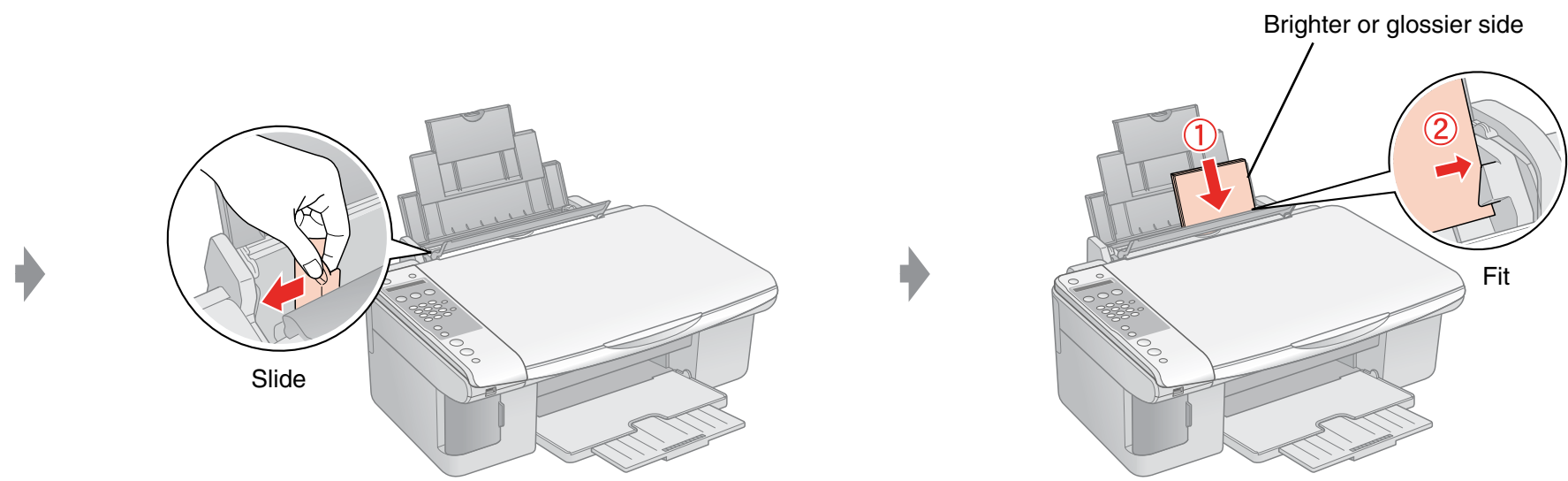
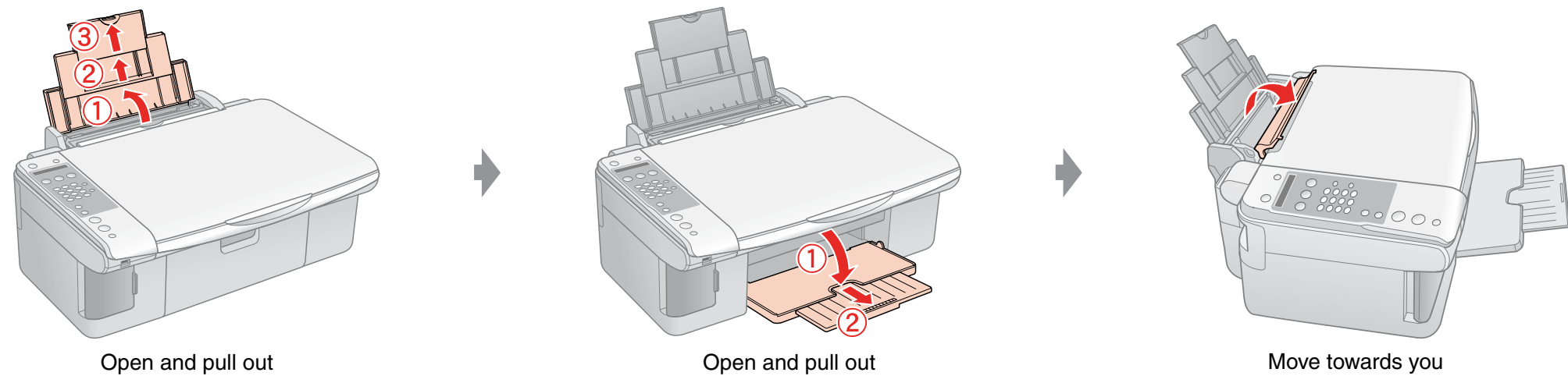
7. Connecting to a Phone Line.



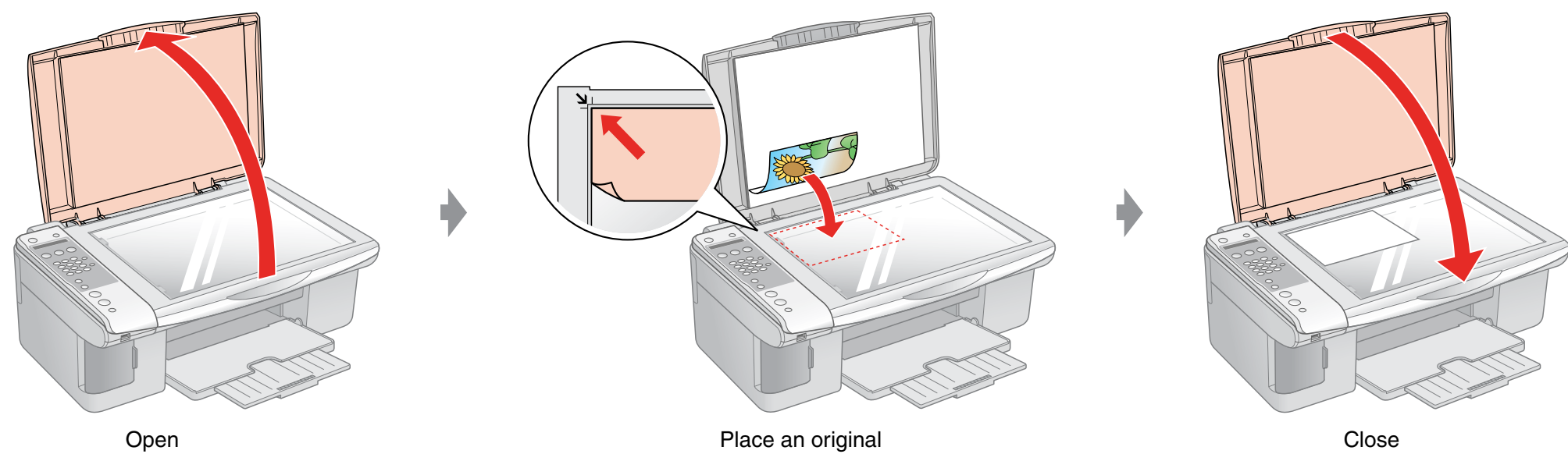
8. Installing the Software



Loading Paper



Placing an Original



Getting More Information

