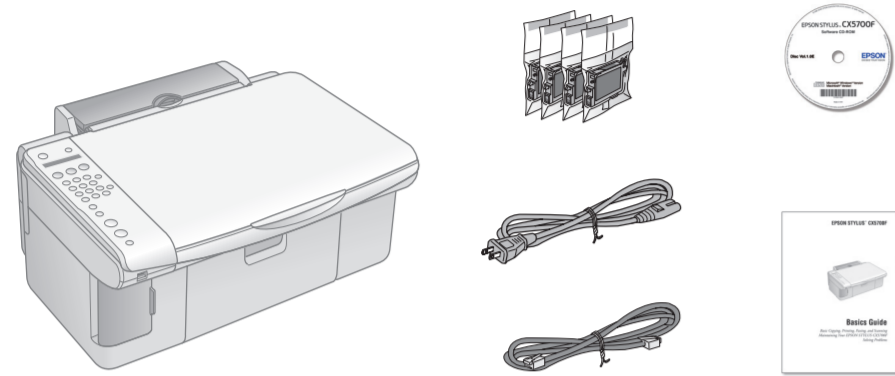


Start Here

EPSON STYLUS CX5700F

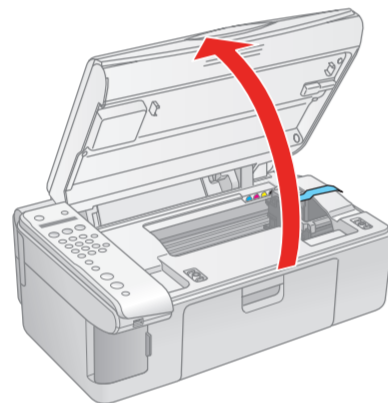
1 Unpack

Remove all the tape.

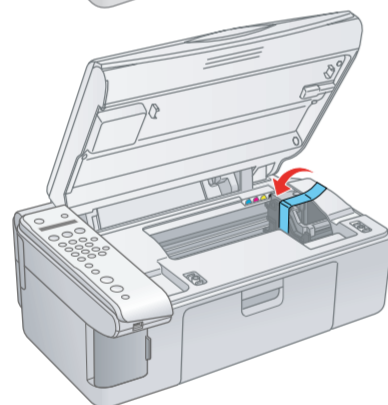


2 Unlock the Printer

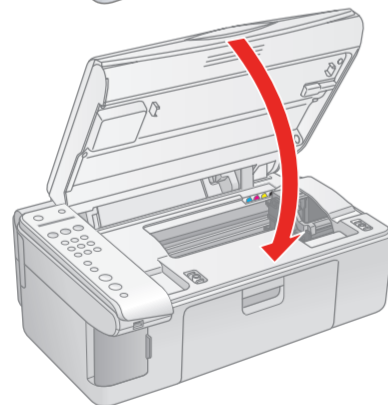
1 Lift up the scanner.



2 Remove the tape from the ink cartridge holder.

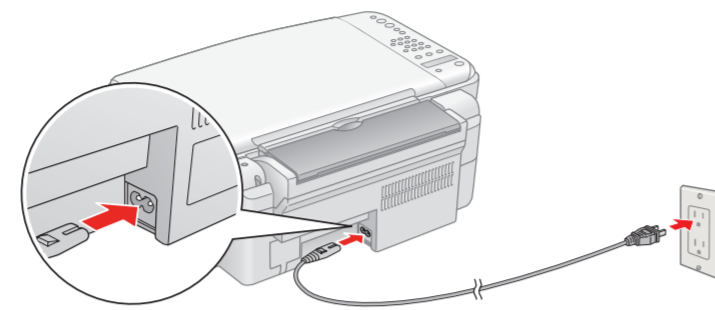


3 Close the scanner.

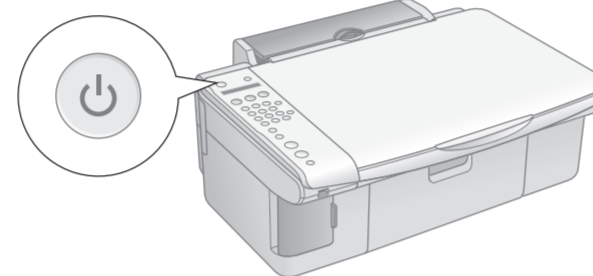


3 Turn On the EPSON STYLUS CX5700F

1 Connect the power cable.



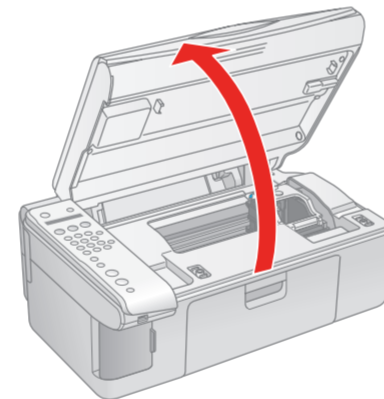
2 Press the **On** button.



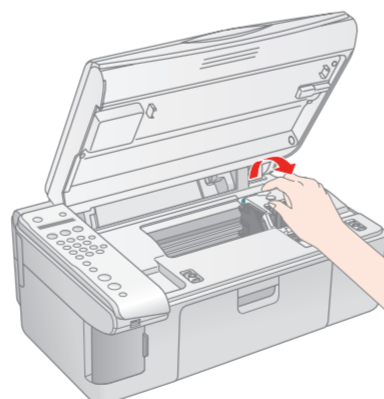
4 Install Ink Cartridges

Note: Don't load paper before installing the ink cartridges.

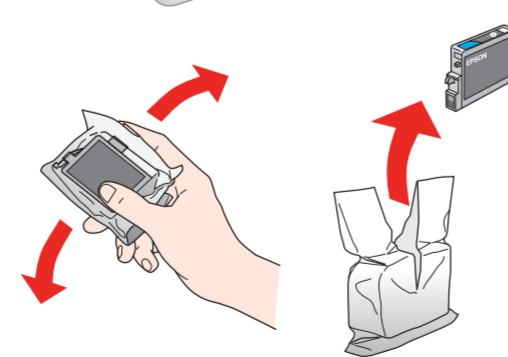
1 Lift up the scanner.



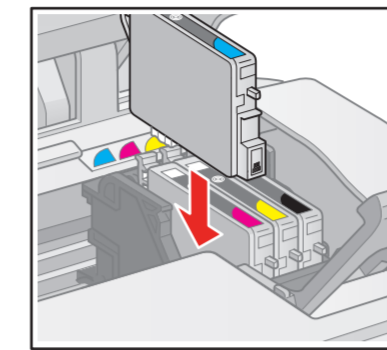
2 Open the ink cartridge cover.



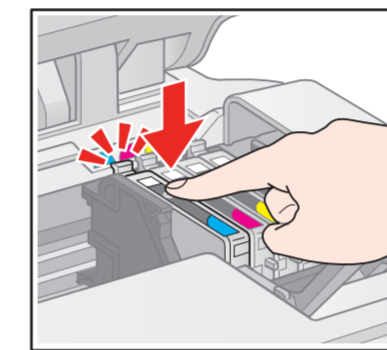
3 Shake the ink cartridges, then unpack them.



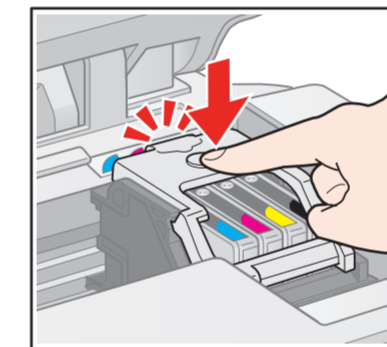
4 Insert the cartridges in the holder for each color.



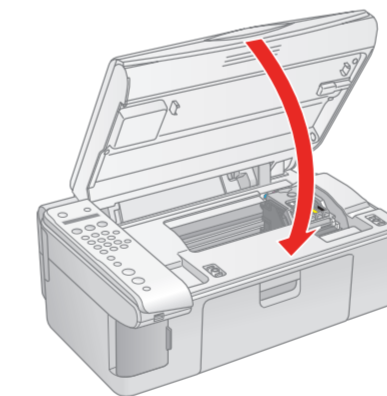
5 Press the cartridges down until they click.



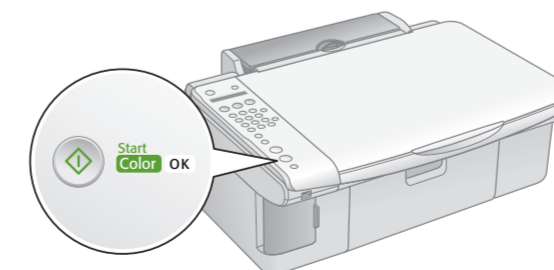
6 Close the ink cartridge cover and press it down until it clicks.



7 Close the scanner.



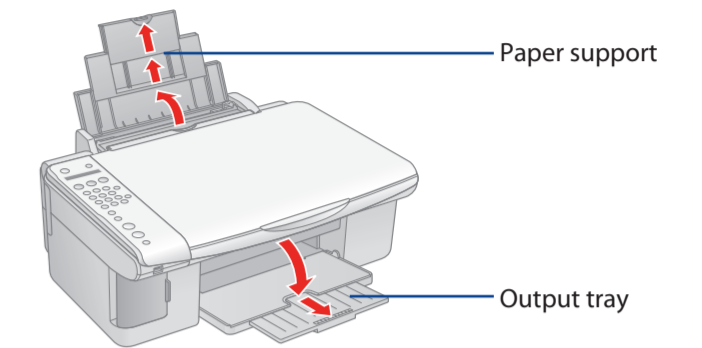
8 Press the **Start Color OK** button to charge ink. Charging takes about 2 minutes.



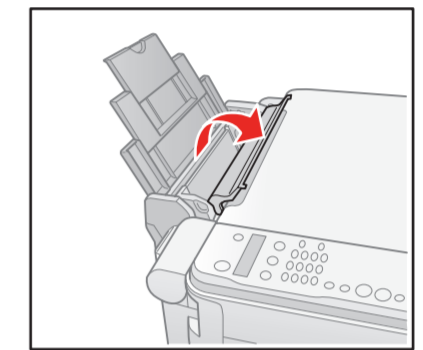
5 Load Paper

1 Open the paper support and pull up its extensions.

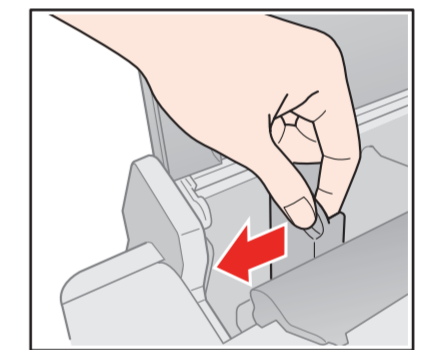
2 Open the output tray and pull out its extension.



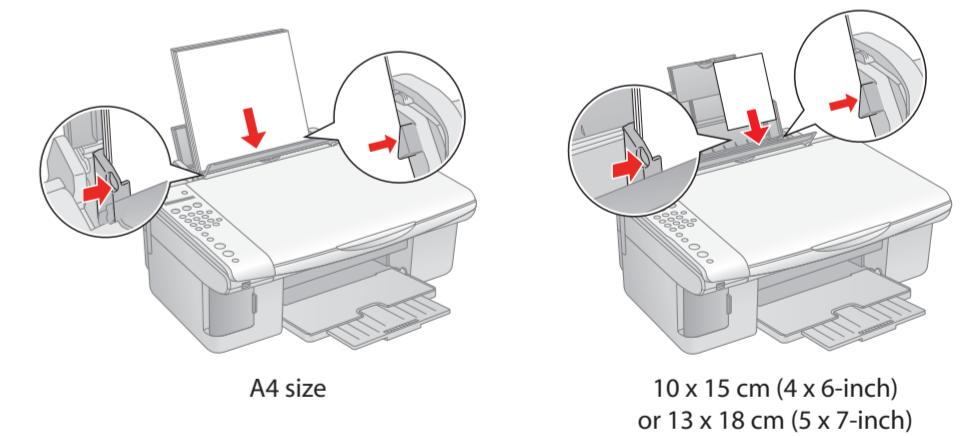
3 Flip the feeder guard forward.



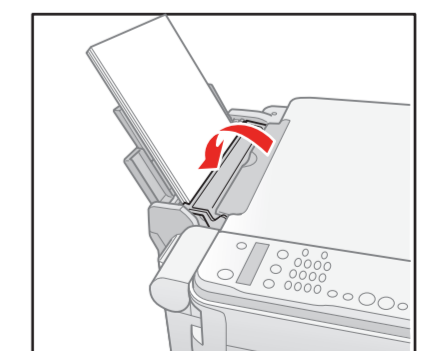
4 Slide the edge guide left.



5 Load paper against the right edge guide and slide the left edge guide over.



6 Flip the feeder guard back.



Caution: Don't turn off the EPSON STYLUS CX5700F while **Charging** appears on the LCD screen or you'll waste ink.



6 Install Software

Your software works with Windows® 98SE, Me, 2000, and XP, and Macintosh® OS X 10.2.x to OS X 10.4.x.

Windows

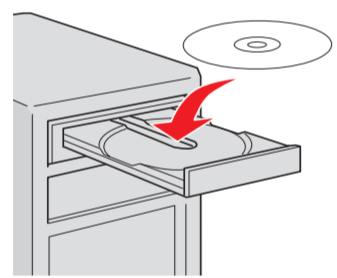
- 1 Make sure the EPSON STYLUS CX5700F is **NOT CONNECTED** to your computer.



Note: If you see a screen like this, click **Cancel** and disconnect the USB cable. You can't install your software that way.



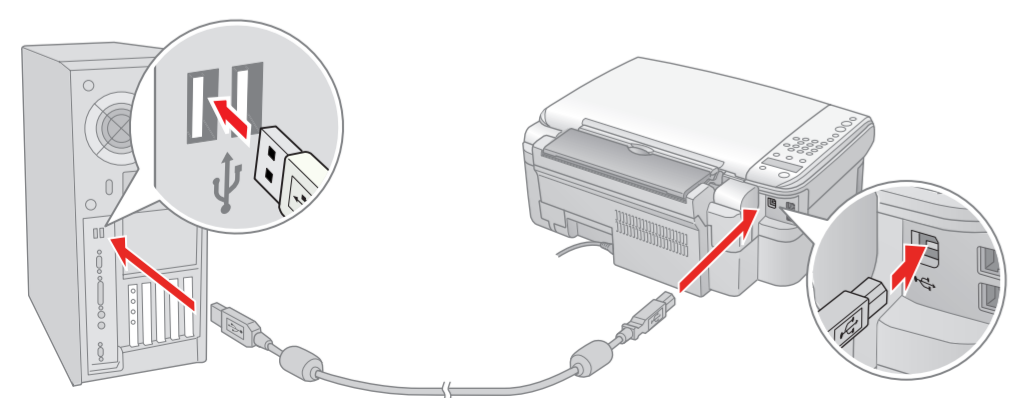
- 2 Insert the EPSON STYLUS CX5700F CD.



- 3 Click **Easy Install** and follow the onscreen instructions. Software installation takes several minutes.



- 4 When prompted, connect the USB cable. Use any open USB port on your computer.



Note: If installation doesn't continue after a moment, make sure you securely connected and turned on the EPSON STYLUS CX5700F.

- 5 When you're done, remove the CD and restart your computer.

You're ready to copy, print, and scan! See the *Basics Guide* or your on-screen *User's Guide*.

To connect your EPSON STYLUS CX5700F to a phone line for faxing, see "Connect Phone Line" to the right.

Macintosh

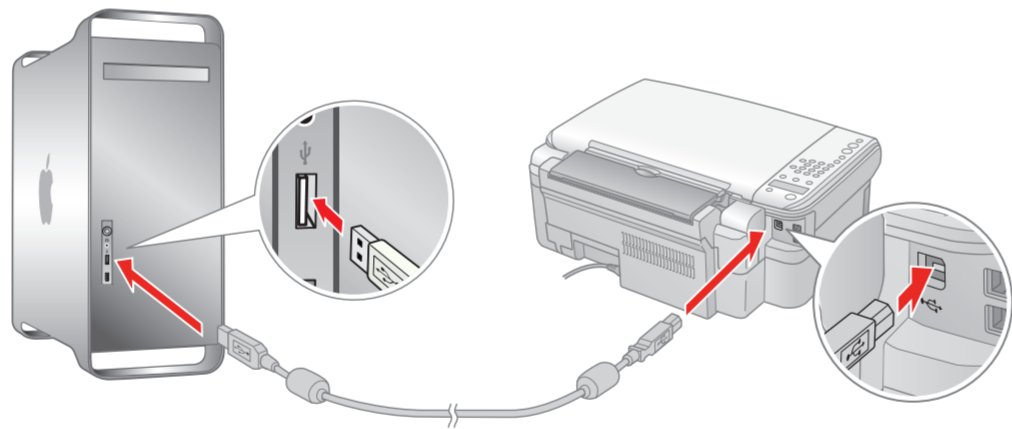
- 1 Insert the EPSON STYLUS CX5700F CD.



- 2 Open the **Epson** CD-ROM desktop icon and double-click the **EPSON Epson** icon.
- 3 Click **Easy Install** and follow the on-screen instructions. Software installation takes several minutes. If necessary, close any open windows on your screen to return to the installer.

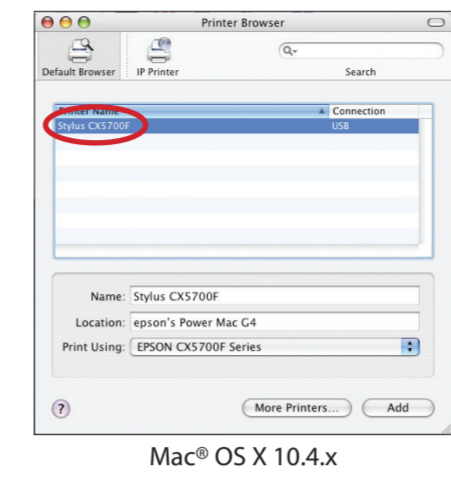


- 4 Connect the USB cable. Use any open USB port on your computer.

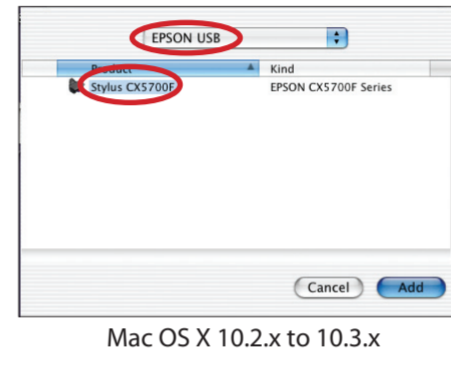


- 5 Remove the CD and restart your Macintosh.
- 6 Open the **Applications > Utilities** folder and select the **Printer Setup Utility** (OS X 10.3.x to 10.4.x) or **Print Center** (OS X 10.2.x).
- 7 Click the **Add** button.

- 8 In OS X 10.4.x, select **Stylus CX5700F**.



- In OS X 10.2.x to 10.3.x, select **EPSON USB** at the top and **Stylus CX5700F** below.



- 9 Click **Add**.
- 10 Quit the Printer Setup Utility or Print Center.

You're ready to copy, print, and scan! See the *Basics Guide* or your on-screen *User's Guide*.

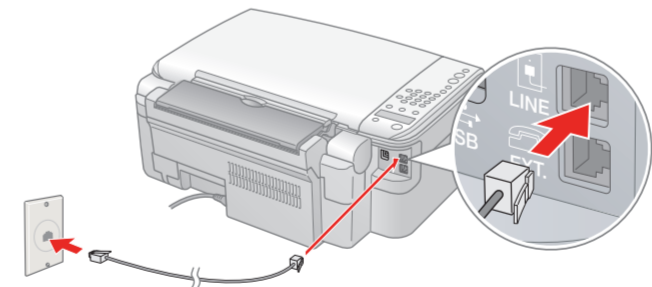
To connect your EPSON STYLUS CX5700F to a phone line for faxing, see the next section.

7 Connect Phone Line

If you are going to connect a dedicated phone line to the EPSON STYLUS CX5700F for faxing, connect it as shown below.

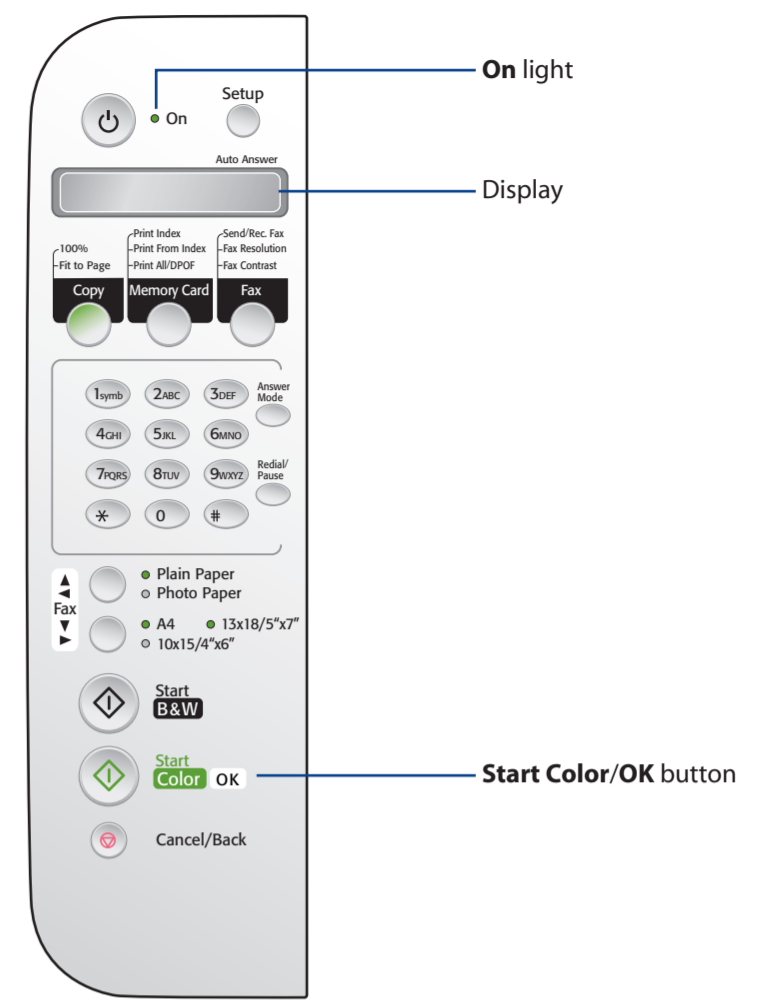
If you want to connect a telephone or answering machine, see the *Basics Guide* for instructions.

Connect the phone cable leading from your telephone wall jack to the **LINE** port on the back of the EPSON STYLUS CX5700F.



Note: If you connected the EPSON STYLUS CX5700F to a DSL phone line, you must install a DSL filter to the line or you won't be able to fax. Contact your DSL provider for the necessary filter.

Any Problems?



- If the green **On** light is flashing, just wait until it stops before pressing any control panel buttons.
- If you see a **Paper out** message on the display, reload paper and press the **OK** button to continue.
- If you see a **No ink cartridge** message on the display, an ink cartridge may be installed incorrectly. Press the **OK** button, then open the scanner and push down the cartridges and cartridge cover all the way. See section 4 on the front of this sheet for instructions.
- If you see a **Paper jam** message on the display, press the **OK** button to eject the paper, then pull out the jammed sheets from the sheet feeder or output tray. See the *Basics Guide* for details.

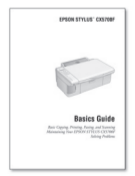
See your *Basics Guide* and on-screen *User's Guide* for more problem-solving information.

Any Questions?

Look here for answers:

Basics Guide

Basic steps for using the EPSON STYLUS CX5700F.



On-screen User's Guide

Double-click the desktop shortcut for easy access to EPSON STYLUS CX5700F information.

On-screen help with your software

Select **Help** or **?** when you're using your software.