

Paper Jam Guide

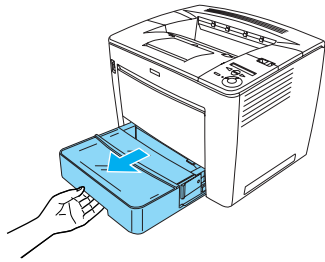


Cautions must be observed to avoid damage to your equipment.

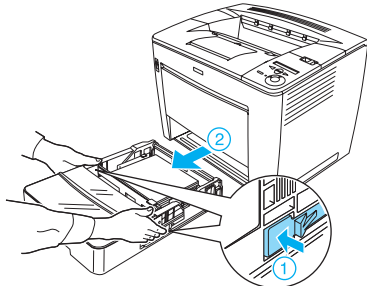
When the LCD panel displays the Jam XXX error message, choose the appropriate description to clear the jammed paper. For more information, see the Online Reference Guide.

Paper jam-paper cassette

1

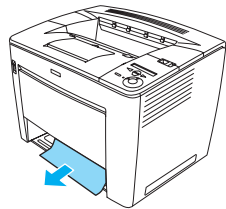


2

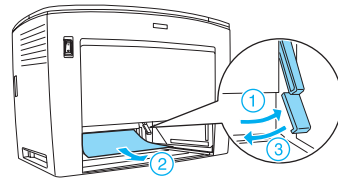


If one or more optional paper cassette units are installed, repeat steps 1 and 2 to pull out all paper cassettes.

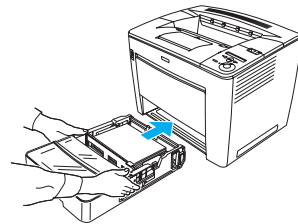
3



4



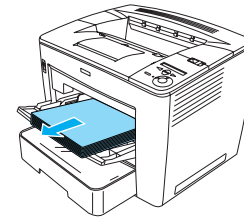
5



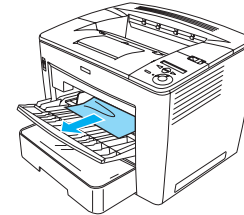
If you have optional paper cassette units installed, reinsert all paper cassettes.

Paper jam-MP tray

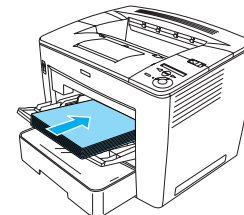
1



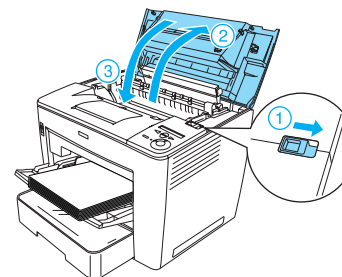
2



3

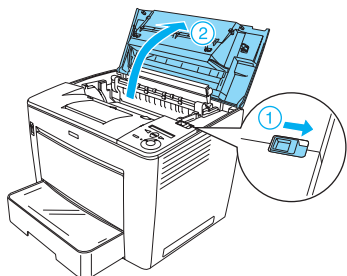


4

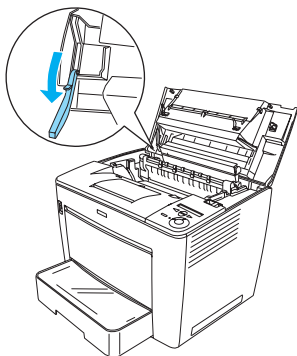


Paper jam-inside the printer

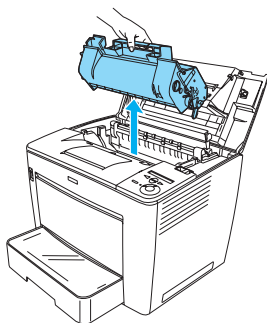
1



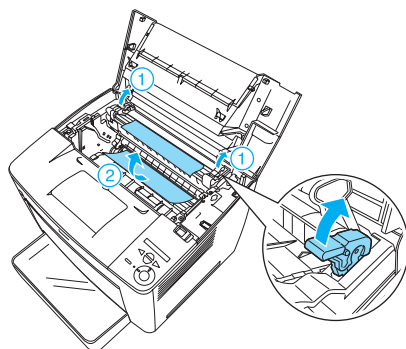
2



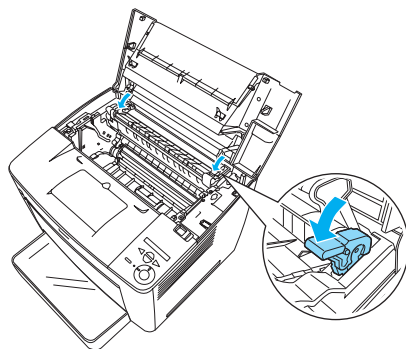
3



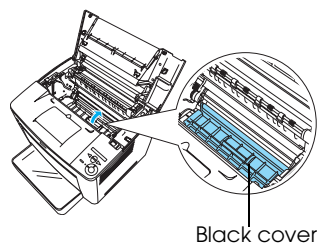
4



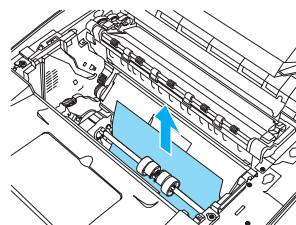
5



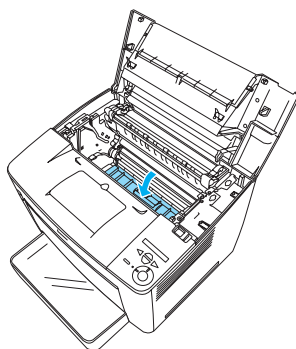
6



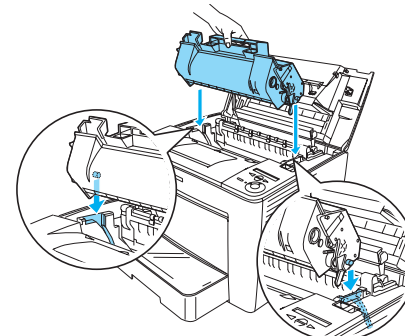
7



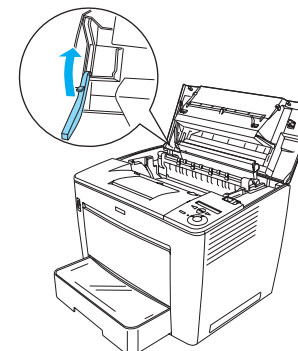
8



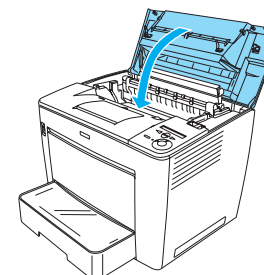
9



10



11



Caution:

❑ Be careful not to touch the fuser, which is marked CAUTION HIGH TEMPERATURE, or the surrounding areas. If the printer has been in use, the fuser and the surrounding areas may be very hot.

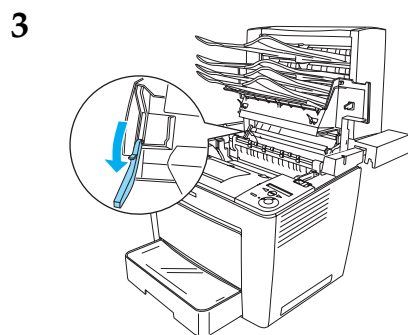
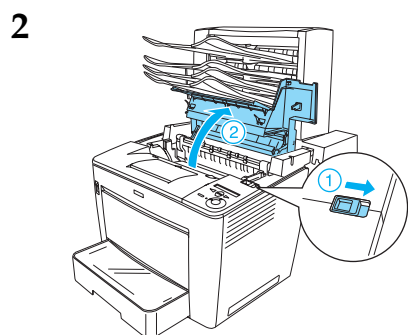
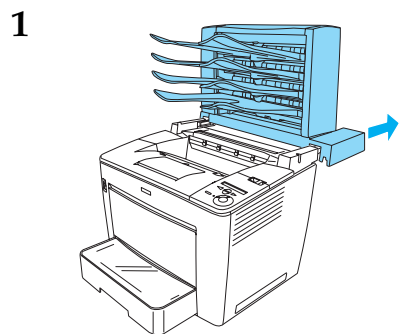
❑ You should avoid touching the transfer roller. Otherwise, printing quality may decline.



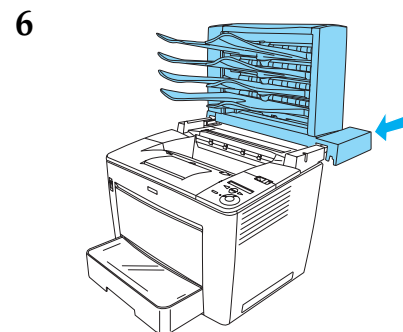
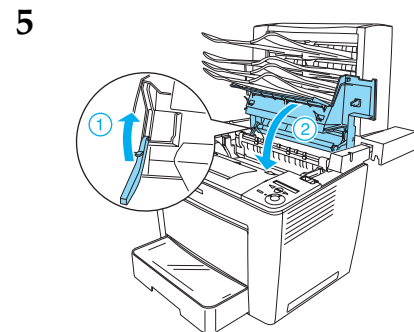
Caution:

Do not touch the roller or other parts inside the printer. Doing so may cause the printer to malfunction.

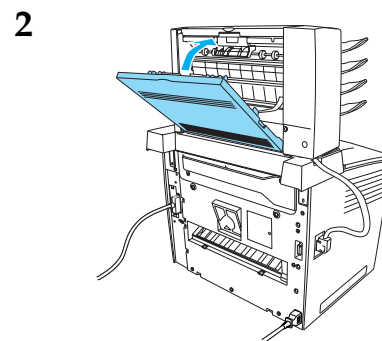
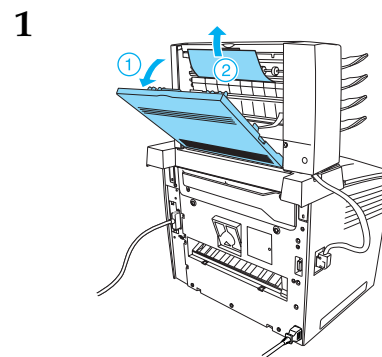
Paper jam-4-Bin Mailbox (inside the printer)



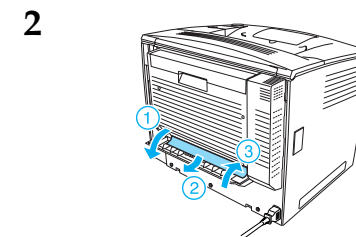
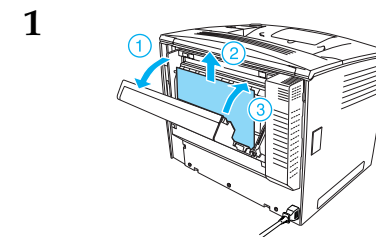
4 Clear jammed paper following the procedure described in "Paper jam-inside the printer".



Paper jam-4-Bin Mailbox (inside the output unit)



Paper jam-Duplex Unit



If the paper jam error is not yet cleared, remove the Duplex Unit from the printer. Then check if paper is jammed at the opening on the rear side of the printer.