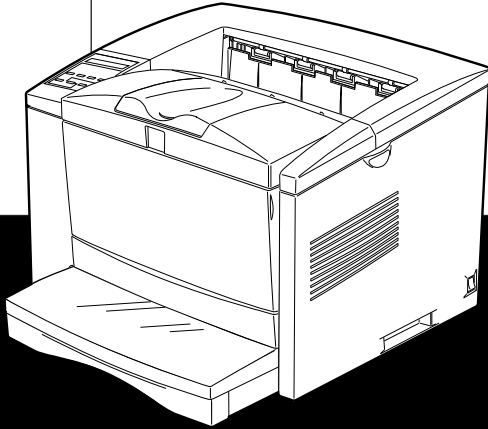


EPSON

Laser Printer

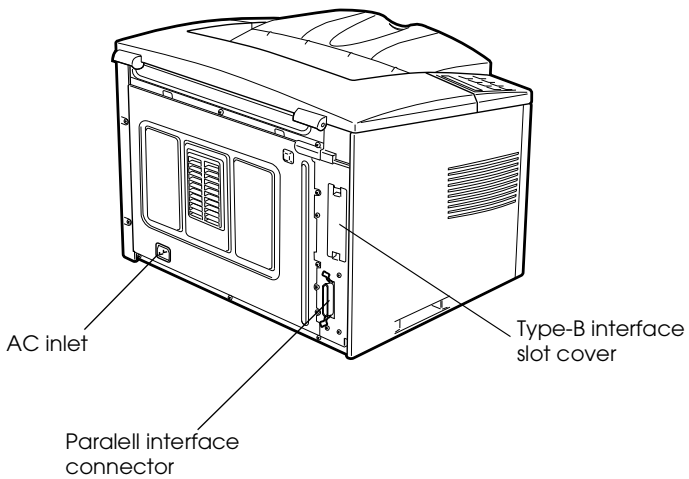
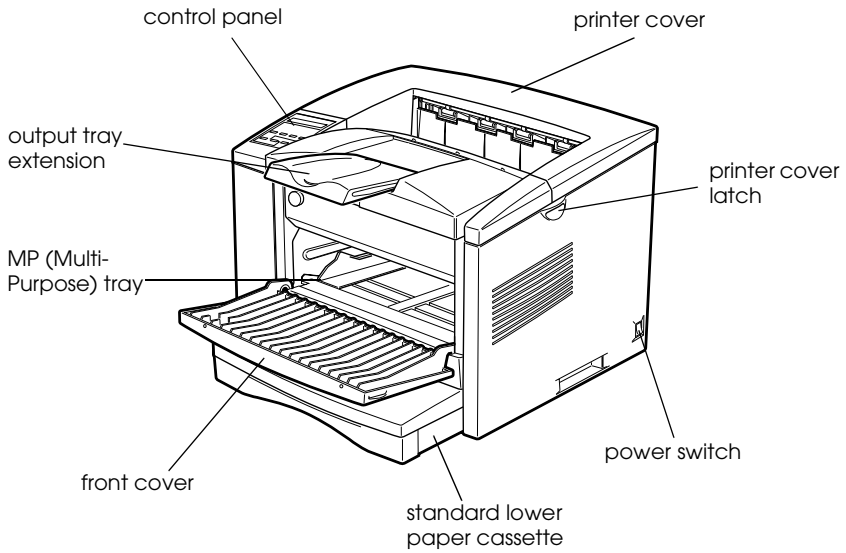


EPSON EPL-N1210

Setup Guide

4012613-00
F04

Printer Parts



EPSON®

Laser Printer

EPL-N1210

All rights reserved. No part of this publication may be reproduced, stored in a retrieval system, or transmitted in any form or by any means, mechanical, photocopying, recording, or otherwise, without the prior written permission of SEIKO EPSON CORPORATION. No patent liability is assumed with respect to the use of the information contained herein. Neither is any liability assumed for damages resulting from the use of the information contained herein.

Neither SEIKO EPSON CORPORATION nor its affiliates shall be liable to the purchaser of this product or third parties for damages, losses, costs, or expenses incurred by purchaser or third parties as a result of: accident, misuse, or abuse of this product or unauthorized modifications, repairs, or alterations to this product, or (excluding the U.S.) failure to strictly comply with SEIKO EPSON CORPORATION's operating and maintenance instructions.

SEIKO EPSON CORPORATION shall not be liable against any damages or problems arising from the use of any options or any consumable products other than those designated as Original EPSON Products or EPSON Approved Products by SEIKO EPSON CORPORATION.

EPSON and EPSON ESC/P are registered trademarks and EPSON ESC/P 2 is a trademark of SEIKO EPSON CORPORATION.

Speedo, Fontware, FaceLift, Swiss, and Dutch are trademarks of Bitstream Inc.

CG Times and CG Omega are registered trademarks of Miles, Inc.

Univers is a registered trademark of Linotype AG and/or its subsidiaries.

Antique Olive is a trademark of Fonderie Olive.

Albertus is a trademark of Monotype Corporation plc.

Coronet is a trademark of Ludlow Industries (UK) Ltd.

Arial and Times New Roman are registered trademarks of Monotype Corporation plc.

Times, Helvetica and Palatino are registered trademarks of the Linotype AG and/or its subsidiaries.

ITC Avant Garde Gothic, ITC Bookman, ITC Zapf Chancery and ITC Zapf Dingbats are registered trademarks of the International Typeface Corporation.

Century SchoolBook is registered trademark of the Kingsley-ATF Type Corporation.

New Century Schoolbook is a trademark of the Linotype AG and/or its subsidiaries.

PCL, HP and HP LaserJet are registered trademarks of Hewlett-Packard Company.

Adobe and PostScript are trademarks of Adobe Systems Incorporated, which may be registered in certain jurisdictions.

General Notice: Other product names used herein are for identification purposes only and may be trademarks of their respective owners. EPSON disclaims any and all rights in those marks.

Copyright © 2000 by SEIKO EPSON CORPORATION, Nagano, Japan.



Printed on Recycled Paper.

Setup Guide

Contents

1 Read Before Using the Printer

Warnings, Cautions, and Notes	1
Laser Printer Precautions	1
Safety Precautions When Using the Printer	4

2 Unpacking and Assembling the Printer

Unpacking the Printer	6
Removing the Protective Materials	8
Finding a Place for the Printer	10
Installing the Imaging Cartridge	13
Optional 250-Sheet Lower Paper Cassette Unit	16
Preparing the Paper Cassette Unit for Installation	16
Installing the 250-Sheet Lower Paper Cassette Unit	17
Optional 500-Sheet Lower Paper Cassette Unit	20
Installing the 500-Sheet Lower Paper Cassette Unit	20
Memory Module	20
Installing a memory module	21
Removing a memory module	26
Optional Interfaces	26
Installing an interface card	28

3 Loading Paper

Loading the MP (Multi-Purpose) Tray	30
Loading the Standard Lower Paper Cassette	33

4 Testing and Connecting the Printer

Plugging in the Printer	37
Testing the Printer	38

Connecting the Printer to the Computer 39

5 Installing and Using the Printer Driver

Installing the Printer Driver for All Windows Users 42
Making Basic Driver Settings 43
 For Windows 2000/98/95 and Windows NT 4.0 users... 43
 For Windows 3.1 and Windows 3.11 for Workgroups users44
 For Windows NT 3.51 users..... 45

6 Using the Online Guide

About the Online Guide 46
System Requirements 47
Viewing the Online Guide from the CD-ROM 47
Installing and Viewing the Online Guide from your Hard Disk 48

7 Safety Information

Laser Safety 49
Ozone Safety 50

Index

1

Read Before Using the Printer

Information provided in this chapter is essential for the safe and efficient operation of your printer. Be sure to read this chapter carefully before using the printer.

Warnings, Cautions, and Notes



Warnings must be followed carefully to avoid bodily injury.



Cautions must be observed to avoid damage to your equipment.

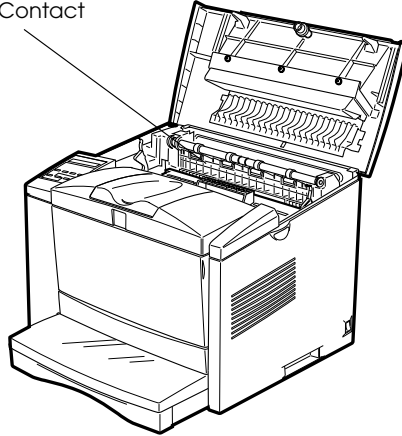
Notes contain important information and useful tips on the operation of your printer.

Laser Printer Precautions

This printer uses laser technology. The following list of precautions applies whenever you open the printer cover. Even if you are familiar with other types of printers, be sure to follow these precautions carefully to ensure safe, efficient operation.

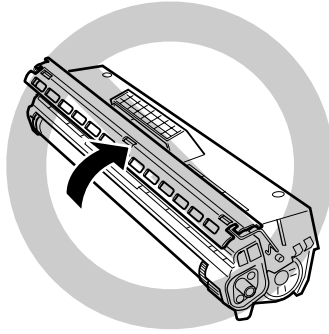
- ❑ Be careful not to touch the fuser, which is marked CAUTION Hot Surface Avoid Contact. If the printer has been in use, the fuser can be very hot.

CAUTION Hot Surface Avoid Contact



- ❑ Avoid touching the components inside the printer unless instructed to do so in this guide.
- ❑ Never force the printer's components into place. Although the printer is designed to be sturdy, rough handling can damage it.

- ❑ Protect the light-sensitive drum from exposure to light. Avoid exposing the imaging cartridge to room light any longer than necessary. Do not open the drum's protective cover. Overexposing the drum may cause abnormally dark or light areas to appear on the printed page and reduce the service life of the drum.



- ❑ Do not turn the cartridge upside down or stand it on its ends.
- ❑ When handling the cartridge, always set it on a clean, smooth surface.
- ❑ Do not attempt to modify or take the cartridge apart. It cannot be refilled.
- ❑ Do not touch the toner and avoid all contact with your eyes.
- ❑ Do not use a cartridge for at least one hour after moving it from a cool to a warm environment to avoid damage from condensation.



Warning:

Do not dispose of used imaging cartridges in fire, as they can explode and cause injury. Dispose of them according to local regulations.

Hinweis:

Die Geräteanschlußleitung muß den einschlägigen Normen genügen.

Es muß eine dreiadrige Leitung verwendet werden.

Die Anschlußleitung darf nicht leichter als H05VV-F oder H05VVH2-F sein.

Maschinenlärminformations-Verordnung-3. GSGV, 18. 01. 1991: Der arbeitsplatzbezogene schalldruckpegel beträgt 70 dB (A) oder weniger gemäß ISO 7779.

Safety Precautions When Using the Printer

Read all of these instructions before operating your printer:

- Follow all warnings and instructions marked on the printer.
- Unplug this printer from the wall outlet before cleaning. Use a damp cloth for cleaning and do not use liquid or aerosol cleaners.
- Do not use this printer near water.
- Do not place the printer on an unstable cart, stand, or table.
- Slots and openings in the cabinet and the back or bottom are provided for ventilation. Do not block or cover them. Do not put the printer on a bed, sofa, rug, or other similar surface or in a built-in installation unless proper ventilation is provided.
- Use the type of power source indicated on the label. If you are not sure of the type of power available, consult your dealer or local power company.
- If you are unable to insert the plug into the outlet, contact a qualified electrician.
- Do not put your printer where the cord will be walked on.

- ❑ If you use an extension cord, make sure that the total of the ampere ratings on the products plugged into the extension cord does not exceed the extension cord ampere rating.
- ❑ Never push objects of any kind through cabinet slots as they may touch dangerous voltage points or short out parts that could result in a risk of fire or electric shock.
- ❑ Never spill liquid of any kind on the printer.
- ❑ Except as specifically explained in this guide, do not attempt to service this product yourself. Opening or removing those covers that are marked **Do Not Remove** may expose you to dangerous voltage points or other risks. Refer all servicing in those compartments to service personnel.
- ❑ Unplug this printer from the wall outlet and refer servicing to qualified service personnel under the following conditions:
 - A. When the power cord or plug is damaged or frayed.
 - B. If liquid has been spilled into it.
 - C. If it has been exposed to rain or water.
 - D. If it does not operate normally when the operating instructions are followed. Adjust only those controls that are covered by the operating instructions since improper adjustment of other controls may result in damage and will often require extensive work by a qualified technician to restore the product to normal operation.
 - E. If it has been dropped or the cabinet has been damaged.
 - F. If it exhibits a distinct change in performance, indicating a need for service.

2

Unpacking and Assembling the Printer

This chapter provides you with instructions on how to unpack your printer and remove the protective materials. It also provides you with information that you need to find a suitable place to locate the printer.

After unpacking the printer, you have to install the imaging cartridge before you can start printing.

Unpacking the Printer

Follow these steps to unpack your printer:

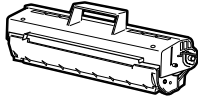
1. Remove the accessories and printer from the shipping carton.

Note:

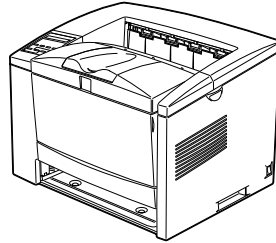
The printer weighs about 20.5 kg (45.2 lb) and should be lifted with care.

2. Set the printer on a flat, stable surface.
3. Remove the packing materials from the printer and its accessories and store them for future use.

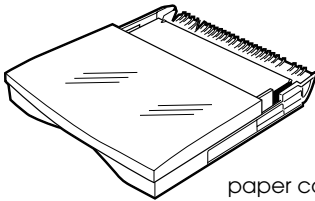
4. Make sure you have the items shown below, plus one CD-ROM containing the printer driver, utility programs, and the Online Guide.



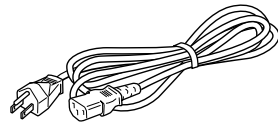
imaging cartridge



printer



paper cassette



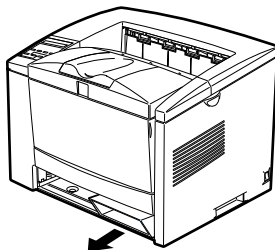
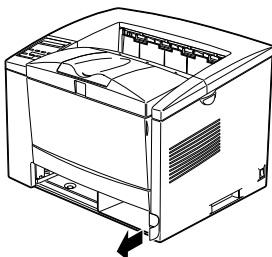
power cord

Removing the Protective Materials

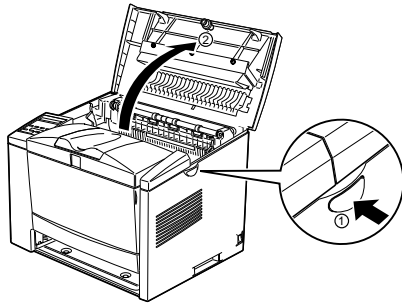
Before installing the imaging cartridge and the paper cassette, you must first remove the protective materials from the printer.

Follow these steps to remove the printer's protective materials:

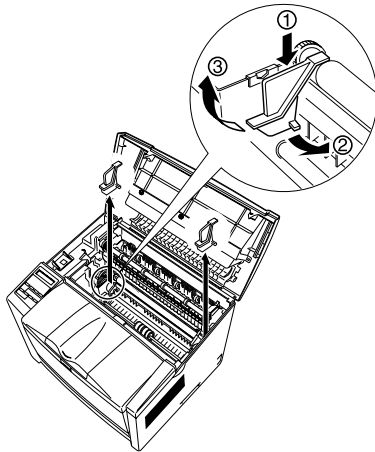
1. Remove the protective tape and the protective material as shown below.



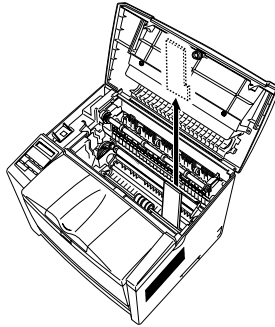
2. Press the latch on the right side of the printer and open the printer cover.



3. Remove the plastic protectors from inside the top of the printer, as shown below.



4. Remove the protective material from inside the printer.

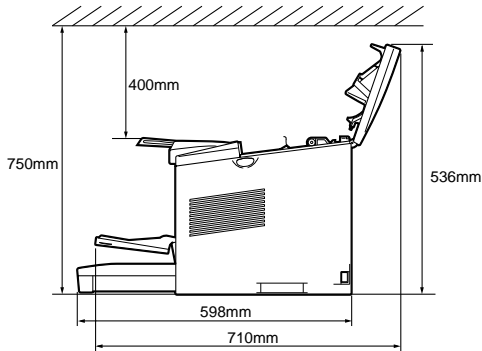
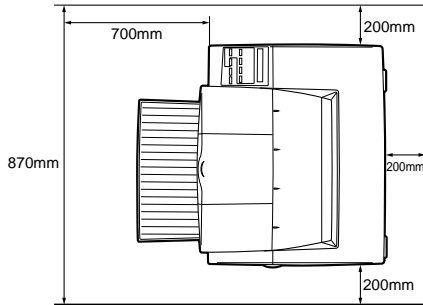


Finding a Place for the Printer

It is important that you place the printer in a suitable location to ensure smooth operation. Use the following as a guideline when finding a place to install the printer:

- Place your printer close enough to the computer or workstation for the printer cable to reach both.

- ❑ Leave adequate room around the printer to allow easy operation and maintenance, and sufficient ventilation. The illustrations below show the recommended amount of space.



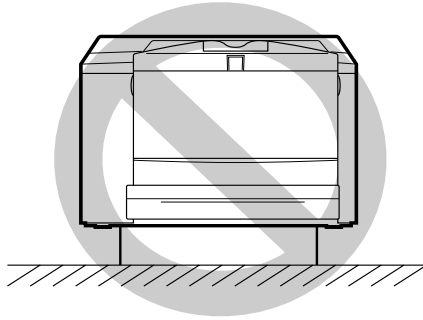
- ❑ The height requirements will increase as shown in the table below when an optional lower paper cassette unit is attached to the printer.

Optional Lower Paper Cassette Unit	Height increase
250-Sheet Lower Paper Cassette Unit	80 mm (3.15 inches)
500-Sheet Lower Paper Cassette Unit	120 mm (4.72 inches)



Caution:

- ❑ *Never place the printer on a stand that is narrower than the printer's width, like that shown in the illustration below, otherwise you may damage the printer.*



- ❑ *Avoid locations that are subject to direct sunlight, excessive heat, moisture, or dust.*
- ❑ *Place the printer where you can easily unplug the power cord.*
- ❑ *Avoid using an electrical outlet that is controlled by wall switches or automatic timers. Accidental disruption of power can wipe out valuable information in your computer's or printer's memory.*
- ❑ *Avoid using outlets on the same circuit as large motors or other appliances that might disturb the power supply.*
- ❑ *Keep the entire computer and printer system away from potential sources of interference, such as loudspeakers or the base units of cordless telephones.*

Installing the Imaging Cartridge

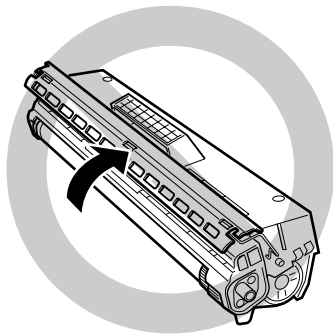
The printer does not come with the imaging cartridge installed. You have to install it when you first use your printer.



Caution:

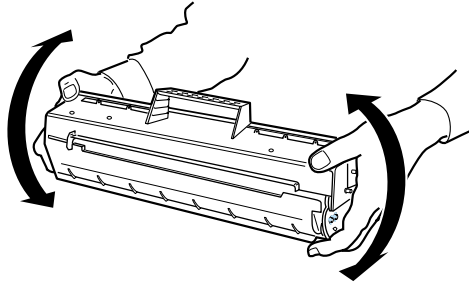
- ❑ *Do not turn the imaging cartridge upside down. Do not expose the imaging cartridge to light any longer than necessary.*

- ❑ *Do not open the drum's protective cover and avoid exposing the imaging cartridge to room light any longer than necessary. Overexposing the cartridge may cause abnormally dark or light areas to appear on the printed page and reduce the life of the cartridge.*

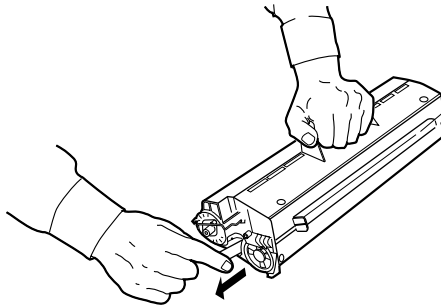


Follow these steps to install the imaging cartridge:

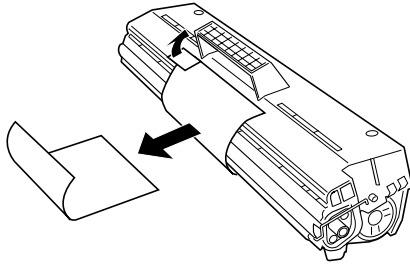
1. While holding the imaging cartridge horizontally, gently shake it a few times to distribute the toner evenly.



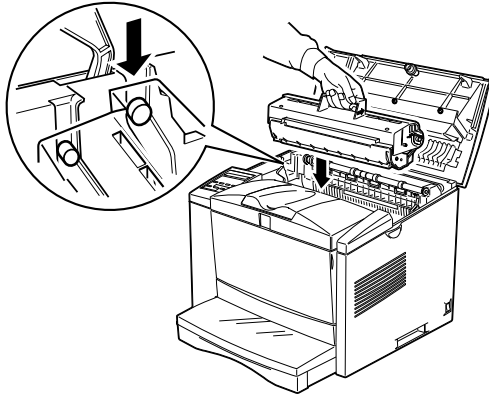
2. Set the cartridge on a clean, flat surface. Firmly grip the tab on the right side of the imaging cartridge and pull the clear seal all the way out with firm, even pressure.



3. Peel off the tape and remove the protective sheet.



4. Insert the pins on each side of the cartridge into the grooves inside the printer, and slide the cartridge gently into place.



5. Gently press down on the printer cover until it clicks shut.



Caution:

Never transport the printer with the imaging cartridge installed.

Optional 250-Sheet Lower Paper Cassette Unit

Installing the optional 250-Sheet Lower Paper Cassette Unit increases the paper-feeding capacity of your printer. For information on the paper sizes and types supported by the optional 250-Sheet Lower Paper Cassette Unit, see “Paper Sources” in the *Online Guide*.



Caution:

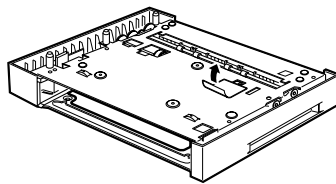
Before installing an option, carefully read the manual that comes with the option.

Preparing the Paper Cassette Unit for Installation

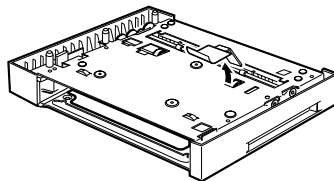
The paper cassette of the 250-Sheet Lower Paper Cassette Unit is protected against damage with a special tab, which has to be removed before installation.

Follow these steps to remove the protective tab:

1. Pull off the protective tape, as shown below.



2. Remove the protective tab.



Installing the 250-Sheet Lower Paper Cassette Unit

The installation procedure for both the optional 250-Sheet Lower Paper Cassette Unit and 500-Sheet Lower Paper Cassette Unit is the same. Refer to the instructions below for the installation of both units.

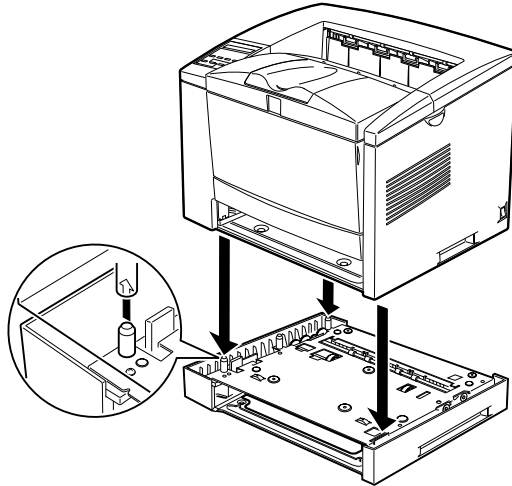
Follow these steps to install the optional 250-Sheet Lower Paper Cassette Unit or 500-Sheet Lower Paper Cassette Unit:

Note:

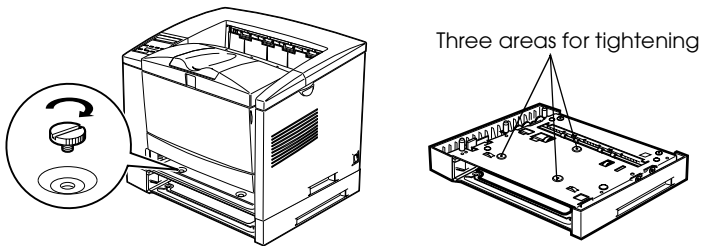
The illustrations show the 250-Sheet Lower Paper Cassette Unit.

1. Make sure the printer is turned off.
2. Unplug the printer's power cord from the electrical outlet and from the printer.
3. Remove all interface cables.
4. Remove the standard lower paper cassette from the printer.
5. Place the unit in the location where the printer will be installed.

- Lift up the printer. Make sure the printer and unit are facing the same direction. Aligning the pins on the unit with the holes on the bottom of the printer, lower the printer until it rests securely on the unit.



- Secure the printer to the unit with the provided screws. Install three of the screws at the locations noted below.



Note:

Use a coin to fasten the screws because a normal screwdriver will probably not fit into the slot of the standard lower paper cassette.

8. Reinsert the standard lower paper cassette back into the printer.
9. Reconnect any interface cable you removed.
10. Make sure the printer's power switch is turned off, then plug the power cord into the printer and into an electrical outlet.
11. Turn on the printer.

To confirm that the 250-Sheet Lower Paper Cassette Unit or the 500-Sheet Lower Paper Cassette Unit is installed correctly, print a status sheet by pressing the **Enter** button two times when the printer is online. The 250-Sheet Lower Paper Cassette Unit or the 500-Sheet Lower Paper Cassette Unit will be listed under **Other Options** on the status sheet as one of the available options. If the unit is not listed on the status sheet, try reinstalling it.

When printing on paper loaded in the optional 250-Sheet Lower Paper Cassette Unit or 500-Sheet Lower Paper Cassette Unit, be sure to select the option as the paper source in your application program. Since the selection method varies from application to application, see your software documentation for more information.

Note:

The paper-loading procedure for the optional 250-Sheet Lower Paper Cassette Unit is the same as that for the standard lower paper cassette. See "Loading the Standard Lower Paper Cassette" on page 33 for a detailed description of the procedure.

Optional 500-Sheet Lower Paper Cassette Unit

Installing the optional 500-Sheet Lower Paper Cassette Unit increases the paper-feeding capacity of your printer. For information on the paper sizes and types supported by the optional 500-Sheet Lower Paper Cassette Unit, see “Paper Sources” in the *Online Guide*.

Installing the 500-Sheet Lower Paper Cassette Unit

The installation procedure for the optional 500-Sheet Lower Paper Cassette Unit is the same as that for the optional 250-Sheet Lower Paper Cassette Unit. See “Installing the 250-Sheet Lower Paper Cassette Unit” on page 17 for installation instructions.

Note:

See “Loading Paper” in the *Online Guide* for a detailed description of the paper-loading procedure for the optional 500-Sheet Lower Paper Cassette Unit.

Memory Module

By installing a DIMM (Dual In-line Memory Module), you can increase printer memory up to 256 MB. You may want to add additional memory if you are having difficulty printing complex, graphics-intensive pages or if you regularly use numerous downloaded fonts.

You can purchase DIMMs from various vendors. Be sure the DIMM you purchase meets the following requirements:

- 168-pin, SDRAM type
- Capacity of 32, 64, 128 or 256 MB
- Access speed of 15 ns or less

- ❑ Dimensions within 134 × 36 mm (5.27 × 1.42 inches), with a thickness of 10 mm (0.4 inch)

Installing a memory module

Follow these steps to install an optional memory module into the printer:

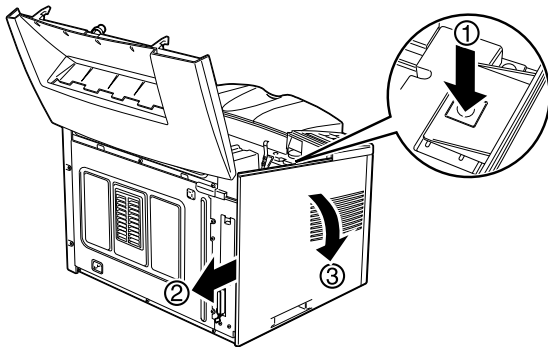
1. Turn off the printer.



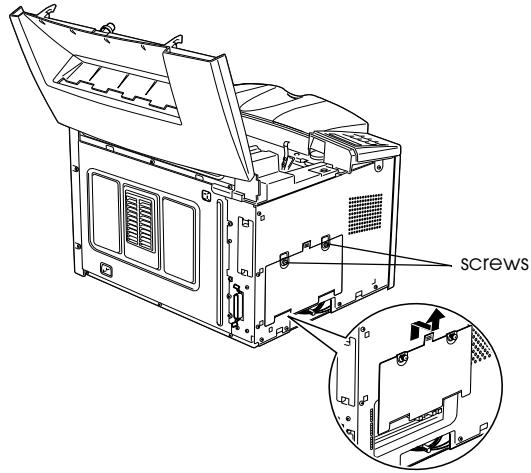
Warning:

To avoid electrical shock, do not attempt to install a DIMM unless the printer is turned off.

2. Unplug the printer's power cord from the electrical outlet and from the printer.
3. Remove the standard lower paper cassette from the printer to ease the installation procedure, if necessary.
4. Turn the printer so its left side faces you.
5. Open the printer cover by pressing the latch on the right side of the printer.
6. Remove the printer's side cover, as shown below.



7. Loosen the screws that secure the shield cover, then remove the cover as shown below.



Warning:

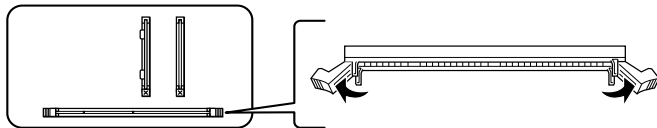
Avoid touching the electrical components that are exposed after you remove the shield cover. They may be very hot if the printer has been in use.



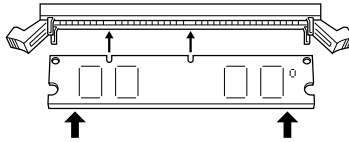
Caution:

Before you install the module, be sure to discharge any static electricity by touching the printer's shield cover or a grounded piece of metal. Otherwise, you may damage static-sensitive components.

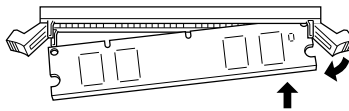
8. Push the clips on each side of the RAM slot outward.



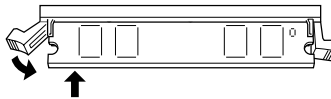
- Align the two depressions on the base of the DIMM with the protrusions inside the RAM slot to determine the position of attachment.



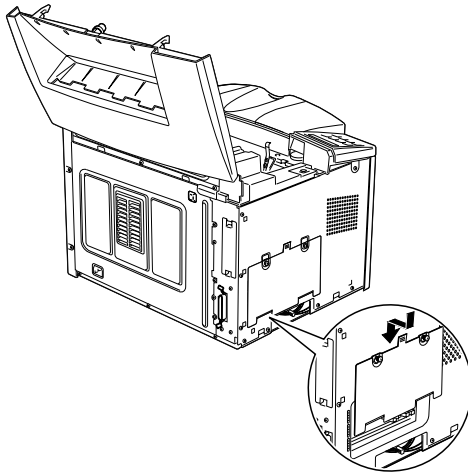
- Insert one end of the DIMM into the slot and push until the retaining clip comes up.



- Push the other end of the DIMM into the slot until the clip comes up to retain the memory module securely.



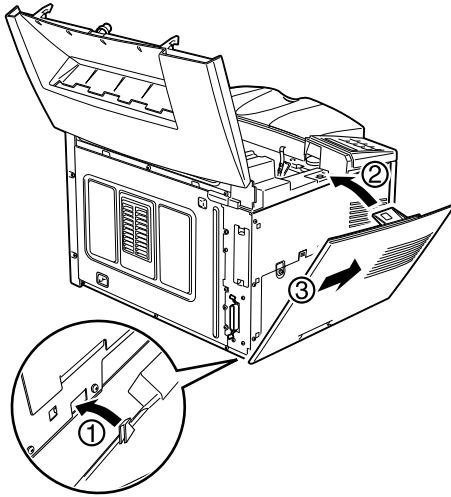
12. Replace the shield cover, then secure it with its screws.



Caution:

When replacing the shield cover, be sure not to pinch the wires inside the printer between the printer case and the shield cover.

13. Replace the printer's side cover, as shown below.



14. Gently close the printer cover.

15. Make sure the printer's power switch is turned off, then plug the power cord into the printer and into an electrical outlet.

16. Turn on the printer.

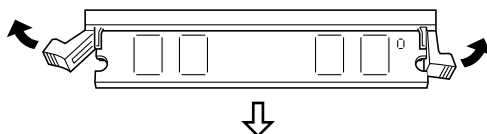
To verify that memory is correctly installed, print a status sheet by pressing the Enter button two times when the printer is online.

If an incorrect amount of memory is shown on the status sheet, turn off the printer and review the steps above to make sure you correctly installed the DIMM. If the amount of memory is still incorrect, contact your dealer or a qualified service representative for assistance.

Removing a memory module

Follow these steps to remove a memory module:

1. Perform steps 1 through 7 under “Installing a memory module” on page 21 to access the printer’s DIMM slots.
2. Push the clips on each side of the DIMM slot outward to release the memory module.



3. Grasp both sides of the DIMM and pull it out as shown above.
4. Follow steps 12 through 16 under “Installing a memory module” on page 21 to complete the procedure.

Optional Interfaces

You can install an optional interface card to supplement your printer’s built-in parallel interface and provide added network compatibility. The EPSON interface cards described below are compatible with your printer. (Not all interface cards are available in all countries.)

Note:

The asterisk () is a substitute for the last digit of the product number, which varies by country.*

To add a direct connection to an Ethernet system, use an optional Ethernet Card (C82362*/C82363*).

To add a serial or parallel interface to your printer, use one of the following:

32KB Serial Interface Card	C82307*
32KB Parallel Interface Card	C82310*

To add a direct connection to an IBM mini or mainframe system, use one of the following:

Coax Interface Card	C82314*
Twinax Interface Card	C82315*

The coaxial and twinaxial connectors each contain a parallel interface. Since the printer's built-in parallel interface remains active, this gives you two parallel interfaces and a coaxial or twinaxial interface. Print jobs can be sent to any connection, and the printer automatically switches between the active ports.

The twinaxial interface is compatible with the following IBM systems: AS-400, System 36, 5251 (model 12), System 34, System 38, and 5294. When equipped with the EPSON twinaxial interface, the printer can be used in place of the following IBM system printers: 4210, 5224 (models 1 and 2), 5256 (models 1, 2, and 3), 3218 (non IPDS), 4214 (model 2), 5225 (models 1, 2, 3, and 4), and 5219 D01, D02.

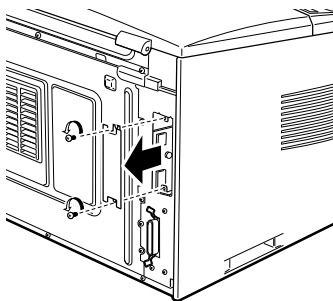
The coaxial interface allows the printer to be connected to the following IBM control units and mainframe systems: 3174, 3276, 4274, and 3270.

To add a direct connection to your GPIB network, use the GPIB Interface Card (C82313*).

Installing an interface card

Follow these steps to install an optional interface card:

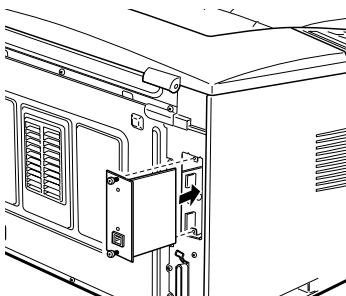
1. Turn off the printer.
2. Unplug the printer's power cord from the electrical outlet and from the printer.
3. Turn the printer so its back faces you.
4. Remove the two screws that secure the Type-B interface slot cover and remove the cover.



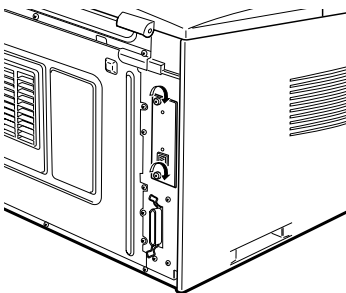
5. Slide the interface card into the grooves in the interface slot as shown below. Push it in firmly to lock the card into place.

Note:

When inserting the interface card, make sure that the component side of the card is on the left.



6. Secure the interface card with the two retaining screws.



To verify that the interface card is correctly installed, print a status sheet by pressing the Enter button two times when the printer is online.

If the interface is not listed on the status sheet, try reinstalling the card making sure the card is securely fastened to the socket inside the printer.

3 Loading Paper

The printer comes with two standard paper sources. The MP tray accommodates 150 sheets of plain paper, while the standard lower cassette accommodates up to 250 sheets. Use the following procedures to load paper into the MP (Multi-Purpose) tray and the standard lower paper cassette.

Note:

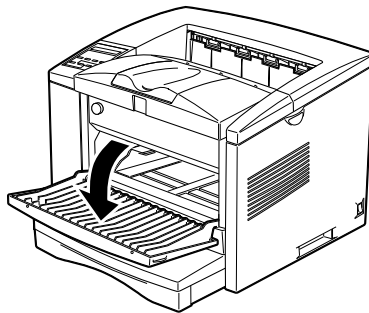
See “Loading Paper” in the Online Guide for a detailed description of the paper-loading procedure for the optional lower paper cassette units.

Loading the MP (Multi-Purpose) Tray

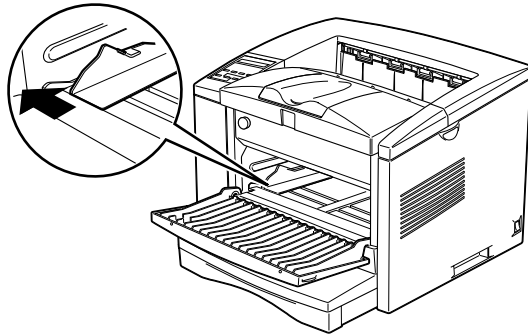
The MP tray is the most flexible of all the standard and optional paper sources. It accommodates a wide range of paper sizes and is the paper source to use when printing on special media such as transparencies and envelopes.

Follow these steps to load paper into the MP tray:

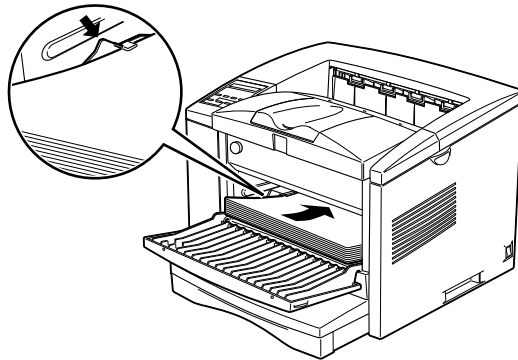
1. Open the front cover by pulling on both sides of the cover.



- Slide both paper guides outward to accommodate the paper you are loading.

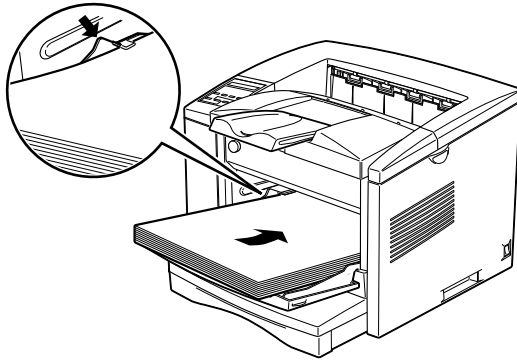


- Set paper into the MP tray with the printable surface facing up.

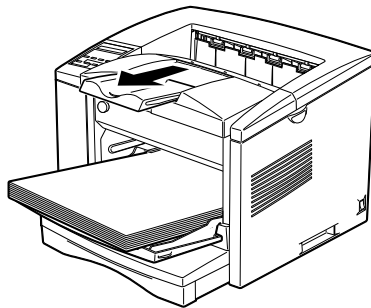


Note:

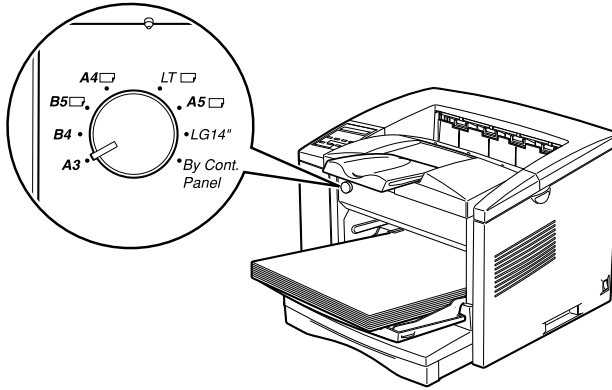
- ❑ Make sure to load the paper as far as it will go inside the MP tray.
- ❑ Load A4, A5, B5, LT, HLT, Exe and GLT paper sizes with the long edge first. You can close the front cover when loading these paper sizes as they fit inside the printer.



- ❑ *Load A3, B, B4, F4, LGL, GLG, Monarch, C-10, DL, C5 and Custom paper sizes with the short edge first. You cannot close the front cover when loading most of these paper sizes as they do not fit inside the printer and require the front cover to be opened to provide support.*
4. Adjust the paper guides to the size of the paper.
 5. Extend the output tray so it accommodates the size of the paper loaded in the printer.



6. Set the paper size switch so it matches the size of the paper loaded in the tray.



Set the switch to By Cont. Panel if there's no matching choice for the size of the paper loaded, and use the control panel to set the paper size. See "How to - Use the Control Panel" in the *Online Guide* for more information.

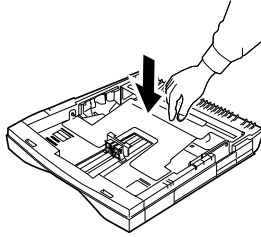
By default, the printer is set up to print on A4 size paper. If you are printing on any other paper size, you need to change the printer's paper size setting by using either the paper size switch described above, or the printer's control panel. You can also change the paper size setting through the printer driver, or from within the software you are using. See "Making Basic Driver Settings" on page 43 for more information.

Loading the Standard Lower Paper Cassette

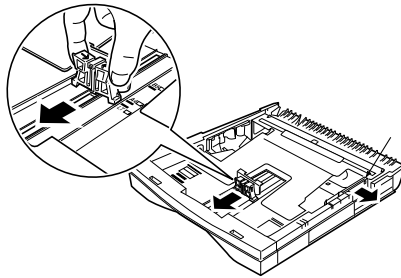
Follow these steps to load paper into the standard lower paper cassette:

1. Remove the standard lower paper cassette from the printer.
2. Remove the cover of the paper cassette.

3. Press down on the metal plate in the paper cassette until it locks into position.

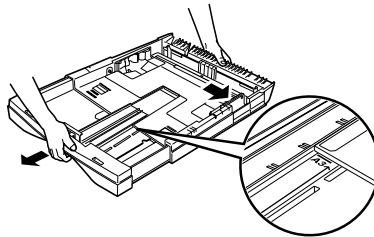


4. Slide both paper guides outward to accommodate the paper you are loading.

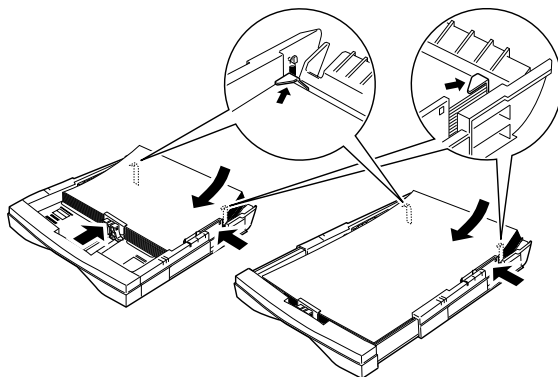


Note:

To load A3, B4, and LGL paper sizes, extend the paper cassette till you see the respective size marking on the bottom of the cassette.

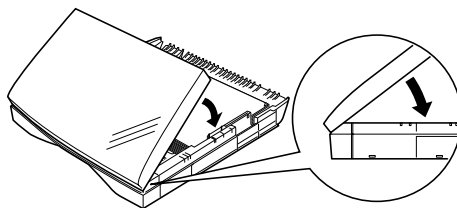


5. Set paper into the paper cassette with the printable surface facing up. Make sure that the paper is under the metal retaining clips on both sides of the paper cassette.

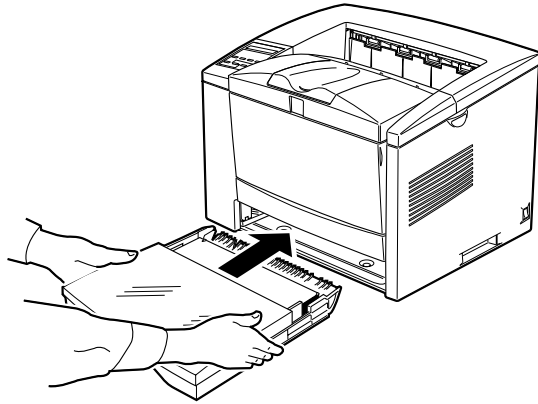


Note:

- If your printouts are curled or do not stack properly when using plain paper, try turning the stack over and reloading it.
 - Load A4, A5, B5 and LT paper sizes with the long edge first.
 - Load A3, B4 and LGL paper sizes with the short edge first.
6. Adjust the paper guides to the size of the paper.
 7. Reattach the cover firmly over the sides of the paper cassette and close it.



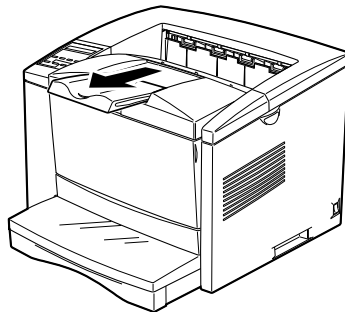
8. Insert the lower paper cassette back into the printer.



Note:

Make sure you insert the paper cassette as far as it will go inside the printer.

9. Extend the output tray to accommodate the size of the paper loaded in the lower paper cassette to prevent it from falling off the edge.



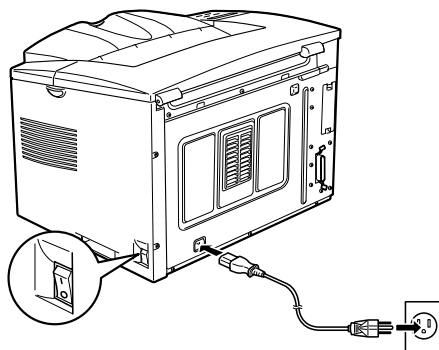
4 *Testing and Connecting the Printer*

This chapter provides you with the necessary instructions to test that the printer is correctly set up for use with a computer. You will also find information on how to connect the printer to your computer.

Plugging in the Printer

Follow these steps to connect the printer to an electrical outlet:

1. Make sure the printer is turned off. It is off when the ○ side of the power switch is pushed in.



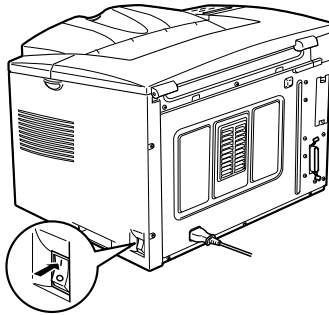
2. Insert the power cord into the back of the printer. Then plug the other end into a properly grounded electrical outlet.

Testing the Printer

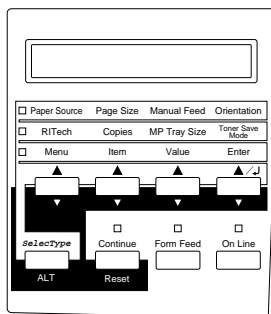
To test whether the printer is set up correctly, print a status sheet. The status sheet contains information about the printer, including the current settings.

Follow these steps to print a status sheet:

1. Make sure the imaging cartridge is installed and that paper is loaded into the printer.
2. Turn on the printer. Several messages appear on the LCD panel as the printer performs internal tests. After about 45 seconds, the Ready message appears.



3. Make sure the On Line light is on (printer is ready to accept and print data). Otherwise, press the On Line button once.



4. Press the Enter button. The display shows `Status Sheet`.
5. Press the Enter button again. The message on the LCD panel starts flashing and the printer starts printing a status sheet.
6. Check that the printer has printed the status sheet clearly and that information on the options installed in the printer is correct. If the printer properly recognizes an installed option, the option's name appears under Other Options.

If the printer cannot print a status sheet, or if you are unable to get the printer to print a correct status sheet, contact your dealer.

Connecting the Printer to the Computer

To connect your computer to the printer's built-in parallel interface, you need a shielded, twisted-pair parallel interface cable that is IEEE-1284 compatible.

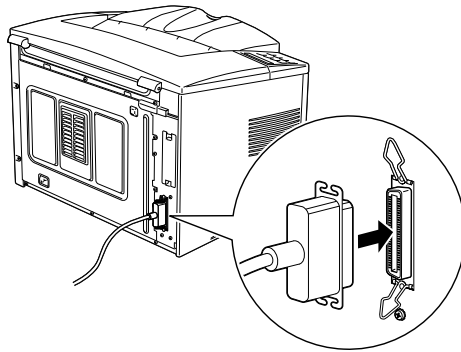
Your printer also has room for an optional Type-B interface connector. See "Optional Interfaces" on page 26 for more information.

Follow these steps to connect the printer to your computer using the parallel interface:

1. Make sure both the printer and the computer are off.
2. Connect the parallel cable to the parallel connector, and secure the connector to the printer by squeezing the wire clips together until they lock into place on both sides of the connector.

Note:

Use only a shielded, twisted-pair parallel cable.



3. Connect the other end of the cable to your computer.
4. Turn on the printer and then turn on your computer.

5

Installing and Using the Printer Driver

The CD-ROM that comes with your printer contains utility programs and a printer driver for Microsoft® Windows® 2000, Windows 98, Windows 95, Windows 3.11 for Workgroups, Windows 3.1, Windows NT® 4.0, and Windows NT 3.51.

After connecting the printer to your computer, install the printer driver. The printer driver is software that runs, or “drives,” your printer. With it, you can make settings such as paper size, paper source, and orientation. You can also refer to the printer driver’s online help for detailed information about printer settings.

Note:

If you are running DOS, you cannot use the driver included with the printer.

When you install the printer driver, the EPSON Status Monitor 3 utility program is automatically installed at the same time. The EPSON Status Monitor 3 is an utility program that monitors your printer and gives you information about the current status of the printer. If a print error occurs, it also provides you with a message describing the error. You can access the EPSON Status Monitor 3 from your printer driver. For detailed information about using the utility program, see “Using EPSON Status Monitor 3 Utility” in the *Online Guide*, or refer to online help for the utility.

Installing the Printer Driver for All Windows Users

The software installation procedures for the various Windows operating systems are similar and will be treated together in the following section.

Follow these steps to install the printer driver:

1. Make sure the printer is off and Windows is running.
2. Insert the CD-ROM that comes with your printer into your CD-ROM drive.
3. The EPSON Installation Program screen opens automatically.

If the EPSON Installation Program screen does not appear automatically, click **Start** and **Run** (in Windows 2000/98/95/NT 4.0); or choose **Run** from the **File** menu in the **Program Manager** (in Windows 3.11 for Workgroups/3.1/NT 3.51). Then, enter `D:\EPSETUP.EXE` and click **OK** (substitute the appropriate drive letter if necessary).

4. Double-click **Install Printer Driver**; or select **Install Printer Driver** and then click the arrow on the top right.
5. Follow the on-screen instructions to complete the installation.

The printer driver is now installed on your computer. The installation program automatically selects this printer as the default printer for Windows applications.

Making Basic Driver Settings

Before you start printing, you should make sure that the driver settings match your document requirements. While many Windows applications override the printer settings made with the driver, some do not.

Be sure to check the following settings in the printer driver:

- Paper Size The size of the paper to be printed on.
- Orientation The direction of printing on the page. This is either portrait or landscape.
- Print Quality The print resolution in dots per inch (dpi).
- Paper Source Auto Selection, MP tray, or Lower Cassette1.

For Windows 2000/98/95 and Windows NT 4.0 users

The way to access the printer driver is similar for all these operating systems. Procedures specific to a particular operating system are noted.

Follow these steps to make the required settings:

1. Click the Start button.
2. Point to Settings, then click Printers.
3. Right-click your printer icon and choose Properties (in Windows 98 and Windows 95), Printing Preference (in Windows 2000), or Document Defaults (in Windows NT 4.0).
4. Click the Basic Settings tab.

5. Select the paper size you loaded in the printer from the list next to the Paper Size setting. If you don't see your paper size on the list, use the arrow on the right to scroll through the list.
6. Select Portrait or Landscape orientation. The direction of printing on the diagram on the screen changes according to the orientation you select.
7. Select the resolution from the Print Quality setting.
8. Select the paper source.

Make any other settings you wish, and click OK when you are finished.

For Windows 3.1 and Windows 3.11 for Workgroups users

The way to access the printer driver is the same for these operating systems, and are treated together in this section.

Follow these steps to access the driver and make the required settings:

1. In the Main window, double-click the Control Panel icon.
2. Double-click the Printers icon.
3. Make sure your printer is highlighted, and click the Setup button.
4. Select the size of the paper to be printed on from the list next to the Paper Size setting. If you don't see your paper size on the list, use the arrow on the right to scroll through the list.
5. Select Portrait or Landscape orientation. The printing direction on the screen changes according to the orientation you select.

6. Select the resolution from the Print Quality setting.
7. Select the paper source.

Make any other settings you wish, and click OK when you are finished.

For Windows NT 3.51 users

Follow these steps to access the driver and make the required settings in Windows NT 3.51:

1. In the Main window, double-click the Control Panel icon.
2. Double-click the Printers icon.
3. Double-click your printer icon.
4. Select Properties from the Printers menu.
5. Make sure your printer is selected and click the Setup button.
6. Select the paper source.
7. Select the paper size.

Make any other settings you wish, and click OK when you are finished.

6

Using the Online Guide

In addition to this guide, your printer comes packaged with an *Online Guide* on the software CD-ROM. This chapter provides you with information you need to use the *Online Guide*.

About the Online Guide

The *Online Guide*, which is also called *The Reference Guide*, contains detailed information on how to use the printer, installation procedures of optional products, and troubleshooting. You can view this guide directly from the CD-ROM, or install it into your computer and view it from your hard disk.

Note:

Microsoft Internet Explorer 4.0 or later, or Netscape Navigator 4.0 or later, must be installed in your computer to read the Online Guide.

System Requirements

The following tables list the system requirements necessary to use the *Online Guide*.

System	Windows 2000/98/95, or Windows NT 4.0
CPU	i486/25 MHz (for Windows 95, NT 4.0) i486/66 MHz (for Windows 98) (Pentium or higher recommended for Windows 98) Pentium 133 MHz (for Windows 2000) (Pentium higher than 133 MHz recommended)
Memory	16 MB for Windows 98/95, NT 4.0 (32 MB or more recommended) 32 MB for Windows 2000 (64 MB or more recommended)
Hard disk space	4 MB to install the <i>Online Guide</i>
CD-ROM drive	Double-speed (Quad-speed or faster recommended)
Display	640 × 480 pixel or 800 × 600 pixel resolution, with High Color (16 bit) or True Color (32 bit) setting
Browser	Web browser (Microsoft Internet Explorer 4.0 or later, or Netscape Navigator 4.0 or later)

Viewing the Online Guide from the CD-ROM

You can view the *Online Guide* directly from the CD-ROM.

Follow these steps to view the *Online Guide* from the CD-ROM:

1. Insert the printer software CD-ROM into the CD-ROM drive. The Installation Program screen opens automatically.
2. Double click Online Guide.
3. Click View Reference Guide.

4. The front page of the *Reference Guide* opens. You can move to the desired section by clicking one of the section titles on the left.

Installing and Viewing the Online Guide from your Hard Disk

You can install the *Reference Guide* into your computer.

Follow these steps to install and view the *Reference Guide* from your computer:

1. Insert the printer software CD-ROM into the CD-ROM drive. The Installation Program screen opens automatically.
2. Double click Online Guide.
3. Click the Install Reference Guide button and follow the on-screen instructions.
4. When the installation is complete, an EPLN1210 Guide icon appears in the EPSON folder. Double-click the icon to view the guide.

7 **Safety Information**

Laser Safety

This printer is certified as a Class 1 laser product under the U.S. Department of Health and Human Services (DHHS) Radiation Performance Standard according to the Radiation Control for Health and Safety Act of 1968. This means that the printer does not produce hazardous laser radiation.

Since radiation emitted by the laser is completely confined within protective housings and external covers, the laser beam cannot escape from the machine during any phase of user operation.

Internal laser radiation

Max. Radiation Power $5.0 \times 10^{-3} \text{ W}$

Wave Length 780 +10/-20 nm

This is a Class IIIb Laser Diode Assembly that has an invisible laser beam. The printer head unit is NOT A FIELD SERVICE ITEM. Therefore, the printer head unit should not be opened under any circumstances.

Ozone Safety

Ozone emission

Ozone gas is generated by laser printers as a by-product of the printing process. Ozone is produced only when the printer is printing.

Ozone exposure limit

The recommended exposure limit for ozone is 0.1 parts per million (ppm) expressed as an average time-weighted concentration over an eight (8) hour period.

The EPSON EPL-N1210 laser printer generates less than 0.02 ppm for 8 hours of continuous printing in a closed room of approximately 29.3m³.

Minimize the risk

To minimize the risk of exposure to ozone, you should avoid the following conditions:

- Use of multiple laser printers in a confined area (see above)
- Operation in conditions of extremely low humidity
- Poor room ventilation
- Long, continuous printing together with any of the above

Printer location

The printer should be located so that the exhaust gases and heat generated are:

- Not blown directly into the user's face
- Vented directly out of the building whenever possible

Index

Numerics

- 250-Sheet Lower Paper Cassette Unit
 - installing, 17
 - preparing for installation, 16
- 500-Sheet Lower Paper Cassette Unit
 - installing, 20

D

- Driver
 - about, 41
 - basic settings, 43
 - installing, 42

I

- Imaging cartridge, installing, 13
- Installing
 - an optional interface card, 28
 - an optional memory module, 21
 - the optional 250-Sheet Lower Paper Cassette Unit, 17
 - the optional 500-Sheet Lower Paper Cassette Unit, 20

- Interface
 - available, 39
 - using the parallel interface, 39

- Interface cards
 - available, 26
 - installing, 28

L

- Locating the printer
 - guidelines, 10
 - precautions, 12

M

- Memory module

- installing, 21
- removing, 26

O

- Online Guide
 - about, 46
 - system requirements, 47

P

- Paper
 - loading in the lower paper cassette, 33
 - loading in the MP tray, 30
- Paper sources, 30
- Precautions
 - during operation, 4
 - laser printer, 1
- Printer
 - attaching the power cord, 37
 - connecting to the computer, 39
 - locating, 10
 - testing, 38
 - unpacking, 6
 - usage precautions, 4

S

- Safety
 - internal laser radiation, 49
 - laser, 49
 - ozone, 50
 - Warnings, Cautions, and Notes, 1
- Status sheet, printing, 38

T

- Testing the printer, 38

EPSON OVERSEAS MARKETING LOCATIONS

Epson America, Inc.

3840 Kilroy Airport Way
Long Beach, CA 90806-2469
Phone: (562) 981-3840
Fax: (562) 290-5220

EPSON UK LTD.

Campus 100, Maylands Avenue,
Hemel Hempstead, Herts,
HP2 7TJ, U.K.
Phone: (+44) 01442 261144
Fax: (+44) 01442 227227

EPSON DEUTSCHLAND GmbH

Zülpicher Straße 6,
40549 Düsseldorf Germany
Phone: (0211) 56030
Fax: (0211) 5047787

EPSON FRANCE S.A.

68 bis, rue Marjolin
92300, Levallois-Perret, France
Phone: 33.1.40.87.3737
Telex: 610657

EPSON AUSTRALIA PTY. LTD.

70 GIBBES STREET,
CHATSWOOD 2067 NSW.
Phone: 2-9903-9000
Fax: 2-9903-9177

EPSON SINGAPORE PTE. LTD.

No. 1 Temasek Avenue #36-00
Millenia Tower, Singapore 039192
Phone: (065) 33 77 911
Fax: (065) 33 41 185

EPSON HONG KONG LTD.

Rooms 4706-10, 47/F,
China Resources Bldg.,
26 Harbour Road, Wanchai, Hong Kong
Phone: 2585-4300
Fax: 2827-7083

EPSON TAIWAN TECHNOLOGY & TRADING LTD.

10F, No. 287 Nanking E. Road, Sec. 3,
Taipei, Taiwan, R.O.C.
Phone: (02) 717-7360
Fax: (02) 712-9164

EPSON ITALIA S.p.A.

V.le F.lli Casiraghi 427
20099 Sesto S.Giovanni
MI, Italy
Phone: 2-262331
Fax: 2-2440750

EPSON IBERICA S.A.

Av. de Roma, 18-26
08290 Cerdanyola del Valles
Barcelona, Spain
Phone: 582. 15.00
Fax: 582. 15.55

SEIKO EPSON CORPORATION (Hirooka Office)

80 Harashinden, Hirooka
Shiojiri-shi, Nagano-ken
399-0785 Japan

EPSON PORTUGAL, S.A.

R. do Progresso, 471, 1º Perafita
4460 Matosinhos, Portugal
Phone: (02) 996 14 02
Fax: (02) 996 14 11

EPSON

Laser Printer

EPSON EPL-N1210

Setup Guide

Printed in Japan
00.XX-XX