



EPSON® Laser Printer EPL-5900L/EPL-6100L Setup

Warnings, Cautions and Notes

-  Warnings must be followed carefully to avoid bodily injury.
-  Cautions must be observed to avoid damage to your equipment.

Notes contain important information and useful tips on the operation of your printer.

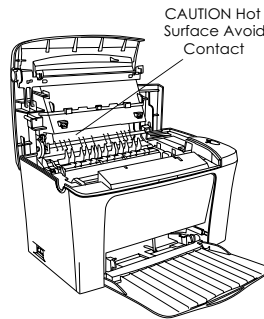
4032366-00
F04

Safety Instructions

Laser Printer Precautions

This printer uses laser technology. Follow the precautions below to ensure safe, efficient operation.

- Be careful not to touch the fuser, which is marked CAUTION Hot Surface Avoid Contact. If the printer has been in use, the fuser can be very hot.
- Do not attempt to modify or take the developer cartridge apart. It cannot be refilled.
- Do not touch the toner and avoid all toner contact with your eyes.
- Do not dispose of used developer cartridges and photoconductor units in fire, as they can explode and cause injury. Dispose of them according to local regulations.



Important Safety Instructions


Read all of the following instructions before operating your printer:

- Follow all warnings and instructions marked on the printer.
- Unplug this printer from the wall outlet before cleaning.
- Use a well-wrung cloth for cleaning and do not use liquid or aerosol cleaners.
- Avoid touching the components inside the printer unless instructed to do so in this guide.
- Never force printer components into place. Although the printer is designed to be sturdy, rough handling can damage it.
- Be sure to keep consumables out of the reach of children.
- Do not leave jammed paper inside of the printer. This can cause the printer to overheat.
- Do not use this printer near water.
- Do not place the printer on an unstable surface.
- Do not put your printer where the cord will be stepped on.
- Avoid using outlets that other appliances are plugged into.
- Slots and openings in the cabinet and the back or bottom are provided for ventilation. Do not block or cover them. Do not put the printer on a bed, sofa, rug, or other similar surface or in a built-in installation unless proper ventilation is provided.
- Use the type of power source indicated on the label. If you are not sure of the type of power available, consult your dealer or local power company.
- If you are unable to insert the plug into the outlet, contact a qualified electrician.
- If you use an extension cord, make sure that the total of the ampere ratings on the products plugged into the extension cord does not exceed the extension cord ampere rating.

- Never push objects of any kind through cabinet slots as they may touch dangerous voltage points or short out parts that could result in a risk of fire or electric shock.
- Never spill liquid of any kind on the printer.
- Except as specifically explained in this guide, do not attempt to service this product yourself. Opening or removing those covers that are marked Do Not Remove may expose you to dangerous voltage points or other risks. Refer all servicing in those compartments to service personnel.
- Adjust only those controls that are covered by the operating instructions. Improper adjustment of other controls may result in damage and may require repair by a qualified service representative.
- Unplug this printer from the wall outlet and refer servicing to qualified service personnel under the following conditions:
 - A. When the power cord or plug is damaged or frayed.
 - B. If liquid has been spilled into it.
 - C. If it has been exposed to rain or water.
 - D. If it does not operate normally when the operating instructions are followed. Adjust only those controls that are covered by the operating instructions since improper adjustment of other controls may result in damage and will often require extensive work by a qualified technician to restore the product to normal operation.
 - E. If it has been dropped or the cabinet has been damaged.
 - F. If it exhibits a distinct change in performance, indicating a need for service.

Safety Information

Laser safety labels

-  **Warning:**
The performance of procedures and adjustments other than those specified in this guide may result in hazardous radiation exposure.

Your printer is a Class 1 laser product as defined in the IEC60825 specifications. The label shown at right is attached to the back of the printer in countries where required.




For European users

The EPSON EPL-5900L / EPL-6100L is a page printer which utilizes a semiconductor laser.

There is no possibility of danger from the laser, provided that the printer is operated according to the instructions in the guides provided.

Since radiation emitted by the laser is completely confined within protective housings and external covers, the laser beam cannot escape from the machine during any phase of user operation.

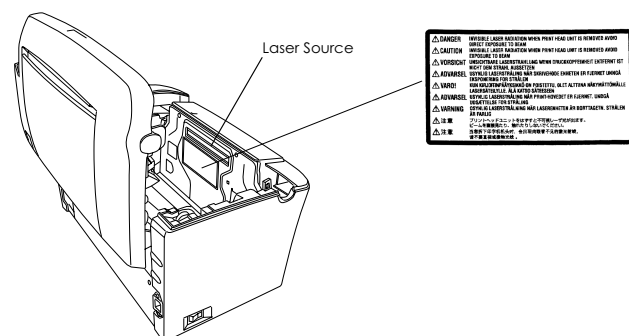
-  **Warning:**
The use of controls, or the performance of procedures and adjustments other than those specified in this guide may result in hazardous radiation exposure.

This is a semiconductor laser. The maximum power of the laser diode is 5 mW and the wavelength is 770 to 810 (EPL-5900L) / 795 (EPL-6100L) nm.

Internal laser radiation

Max. Average Radiation Power	27 (EPL-5900L) / 35 (EPL-6100L) µW at laser aperture of the print head unit
Wavelength	770 to 810 (EPL-5900L) / 795 (EPL-6100L) nm

This is a Class III b Laser Diode Assembly that has an invisible laser beam. The printer head unit is NOT A SERVICE ITEM. Therefore, the printer head unit should not be opened under any circumstances. An additional laser warning label is affixed to the inside of the printer.



CDRH regulations

For information about the Center for Devices and Radiological Health of the U.S. Food and Drug Administration, see the Reference Guide on the CD-ROM.

Ozone safety

Ozone emission

Ozone gas is generated by laser printers as a by-product of the printing process. Ozone is produced only when the printer is printing.

Ozone exposure limit

The recommended exposure limit for ozone is 0.1 parts per million (ppm) expressed as an average time-weighted concentration over 8 hour period. The EPSON EPL-5900L/EPL-6100L laser printer generates less than 0.1 ppm for 8 hours of continuous printing.

Minimize the risk

To minimize the risk of exposure to ozone, you should avoid the following conditions:

- Use of multiple laser printers in a confined area
- Operation in conditions of extremely low humidity
- Poor room ventilation
- Long, continuous printing together with any of the above

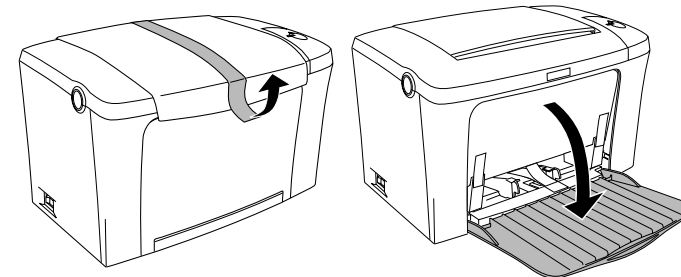
Printer location

The printer should be located so that the exhaust gases and heat generated are:

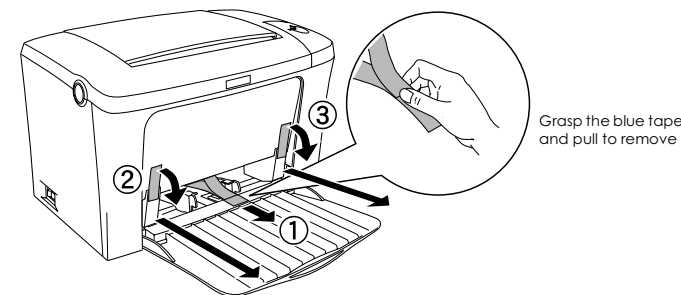
- Not blown directly into the user's face
- Vented directly out of the building whenever possible

1 Removing the Protective Materials

- 1.
- 2.

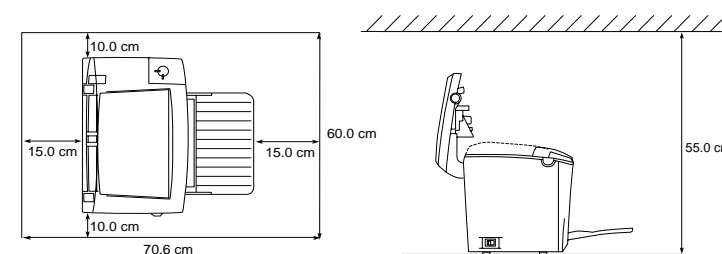


- 3.



2 Finding a Place for the Printer

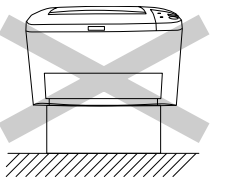
Allow adequate space for easy operation and maintenance.



- Place the printer where you can easily unplug the power cord.
- Keep the entire computer and printer system away from potential sources of interference, such as loudspeakers or the base units of cordless telephones.

Caution:

- Leave adequate room around the printer to allow for sufficient ventilation.
- Avoid locations that are subject to direct sunlight, excessive heat, moisture, or dust.
- Do not place the printer on a surface that is smaller than the printer's bottom panel. Doing so may cause troubles on printing and feeding due to the internal excessive load of the printer. Be sure to locate the printer on a flat, wide surface where the rubber pads can be placed stably.



3 Installing an Optional Memory Module (EPL-5900L User Only)

You can purchase SIMM from various vendors. Make sure that the SIMM you purchase meets the following requirements:

Memory size	8 MB, 16 MB, or 32 MB
Type	72-pin, EDO mode type
Access speed	60 ns or less
Measurements	Dimensions within 108 mm (4.25 in.) x 26 mm (1.02 in.), with a thickness of 10 mm (0.4 in.)

For more detailed descriptions of memory modules, see "Memory Module" in the Reference Guide on the CD-ROM.

Note:

When you install an 8 MB SIMM, the total printer memory is the standard 2 MB plus the optional SIMM. However, even if you install an optional 16 MB or 32MB SIMM, the total printer memory is increased to its maximum of 13 MB only.

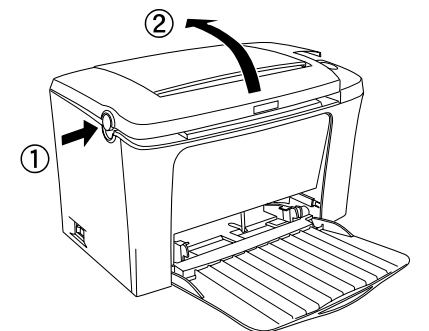
Caution:

Before you install a memory module, be sure to discharge any static electricity by touching a grounded piece of metal. Otherwise, you may damage static-sensitive components.

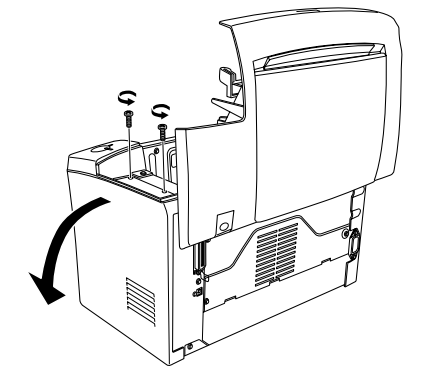
Warning:

- Make sure that the printer is turned off.
- Remove only the screws attaching the right side cover.
- Removing other screws and covers will expose high voltage areas.
- Be careful when working inside the printer as some components are sharp and may cause injury.

- 1.

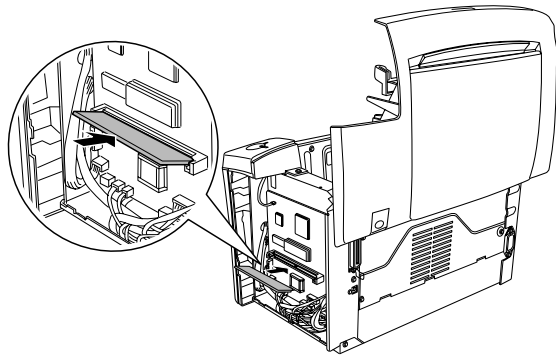


- 2.

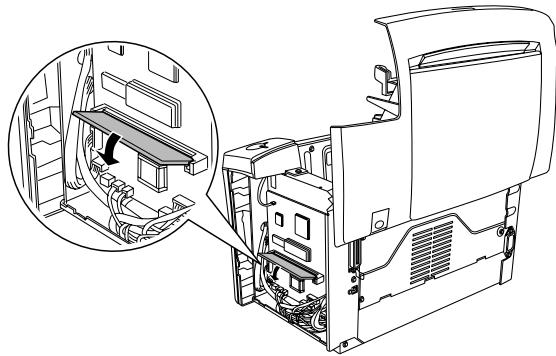


Continue to the back page.

3.



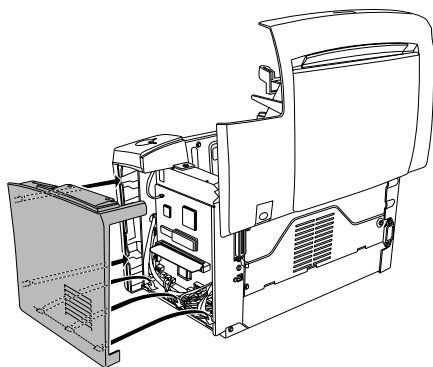
4.



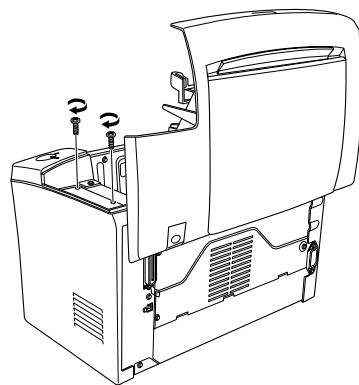
Caution:

- Do not force the SIMM into the slot.
- Be sure to insert the SIMM facing the correct way.
- Do not remove any modules from the circuit board. Otherwise, the printer will not work.

5.



6.



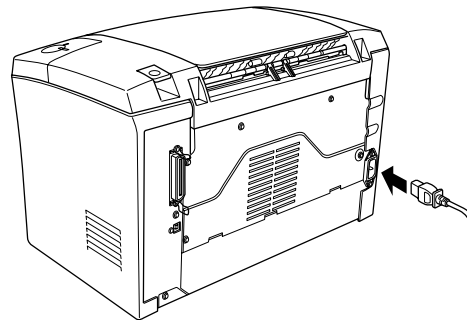
To confirm that the memory module is installed correctly, print a status sheet.
 To remove a memory module from the printer, see "Removing a memory module" in the Reference Guide.

4 Connecting the Printer

Plugging in the Printer

Make sure that the printer is turned off.

Insert the power cord into the back of the printer. Then plug the other end into a properly grounded electrical outlet.



Connecting the Printer to a Computer

Use a shielded, twisted-pair parallel interface cable that is IEEE-1284 compatible or a USB Revision 1.1 compliant cable.

The required system for USB connection is as follows:

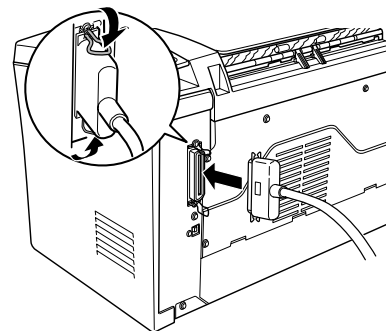
- Apple® Macintosh® system that has a USB interface guaranteed by Apple Computer, Inc.
- Microsoft® Windows® system that has a USB interface guaranteed by each manufacturer, and the preinstalled Windows 98/Me/XP/2000 or the upgraded Windows Me/XP/2000 from the preinstalled Windows 98.

Note:

- Be sure to connect a computer that supports bidirectional communication.
- When using an inappropriate cable or connecting peripheral devices between the printer and the computer, the communication may be unstable.
- You can not connect Macintosh computers to the parallel interface of the printer.

1. Make sure that both the printer and the computer are off.
2. Attach the parallel or USB interface cable to the printer as shown.

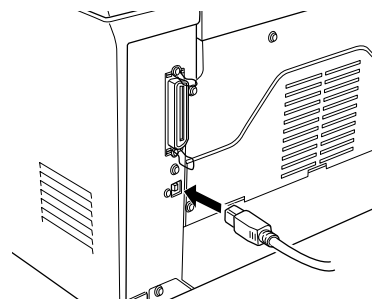
< Parallel >



Note:

When the cable has a grounding wire, secure the wire with the screw below of the connector.

< USB >



3. Plug the other end of the cable into the computer's parallel or USB interface connector. See your computer's instruction manual for more information.

5 Installing the Printer Driver

When you install the printer driver, the following software can be installed.

- Printer driver
The printer driver gives you complete control over your printer settings when using Microsoft Windows Me, 98, 95, XP, 2000, NT® 4.0, and Mac OS® 8.1 to 9.x. With it, you can make settings such as print quality and paper size.
- EPSON Status Monitor 3
EPSON Status Monitor 3 allows you to view printer status information such as the amount of toner remaining and check for any printer errors.
- To install other software, please see the *Reference Guide* on the CD-ROM.

Note:

To ensure proper operation, a computer name must be entered in your computer's settings. Make sure there are no invalid characters in the name. If your printer is shared or on a network, make sure the name is unique to your computer. For information on setting the computer name, see the documentation for your operating system.

How to install the printer driver

Follow the instructions below to install the printer driver for Windows and Macintosh.

Note for Macintosh users:

- If you are setting up an EPL-5900L in a Macintosh environment, see the "For EPL-5900L users in a Macintosh environment" section below.
- Turn off any anti-virus software before installing the printer driver.

1. Make sure that your printer is turned off.
2. Insert the printer software CD-ROM that comes with your printer into your CD-ROM drive. For Macintosh users, double-click the EPSON icon.
3. Double-click Install Printer Driver Utility (EPL-5900L) / Install Software (EPL-6100L). Then follow the on-screen instructions.



The EPSON Installation Program dialog box for Windows (EPL-6100L)

Note for Windows users:

If the EPSON Installation Program screen does not appear automatically, double-click the My Computer icon, right-click the CD-ROM icon, and click OPEN in the menu that appears. Then double-click Setup.exe.

For EPL-5900L users in a Macintosh environment

1. Insert the printer software CD-ROM into your CD-ROM drive.
2. Double-click the Install Printer Driver/Utility folder.
3. Double-click the Installer icon.
4. After accepting the license agreement, Installer appears.
5. Click Install and follow the on-screen instructions.

Additional Driver on a print server (For Windows users)

When the printer is shared on a network and the print server's operating system is Windows XP, 2000 or NT 4.0, you can install the printer driver for the client's operating system on the server as an additional driver. This allows the clients to download the appropriate printer driver from the print server if necessary. See "Sharing Your Printer (EPL-5900L) / Setting Up Your Printer on a Network (EPL-6100L)" in the Reference Guide for details.

Selecting your printer in the Chooser (For Macintosh users)

After you have installed the printer driver, you need to open the Chooser to select your printer. This procedure is necessary the first time you use a printer and when you want to switch to another printer. Your Macintosh will always print using the last printer selected.

About printer sharing

To share a printer on a network, see "Sharing Your Printer (EPL-5900L) / Setting Up Your Printer on a Network (EPL-6100L)" in the Reference Guide for details.

6 To Know More About Your Printer

Reference Guide



The CD-ROM shipped with your printer includes the Reference Guide as well as the printer driver. Microsoft Internet Explorer 4.0 or later, or Netscape Navigator 4.0 or later must be installed in your computer to read the Reference Guide.

- How to use the printer
- How to solve problems
- How to keep your printer in good condition
- Safety information and technical specifications

All rights reserved. No part of this publication may be reproduced, stored in a retrieval system, or transmitted in any form or by any means, mechanical, photocopying, recording, or otherwise, without the prior written permission of SEIKO EPSON CORPORATION.
 No patent liability is assumed with respect to the use of the information contained herein. Neither is any liability assumed for damages resulting from the use of the information contained herein.

Neither SEIKO EPSON CORPORATION nor its affiliates shall be liable to the purchaser of this product or third parties for damages, losses, costs, or expenses incurred by purchaser or third parties as a result of: accident, misuse, or abuse of this product or unauthorized modifications, repairs, or alterations to this product, or (excluding the U.S.) failure to strictly comply with SEIKO EPSON CORPORATION's operating and maintenance instructions.

SEIKO EPSON CORPORATION shall not be liable against any damages or problems arising from the use of any options or any consumable products other than those designated as Original EPSON Products or EPSON Approved Products by SEIKO EPSON CORPORATION.

General Notice: Other product names used herein are for identification purposes only and may be trademarks of their respective owners. EPSON disclaims any and all rights in those marks.