



Warnings must be followed carefully to avoid bodily injury.

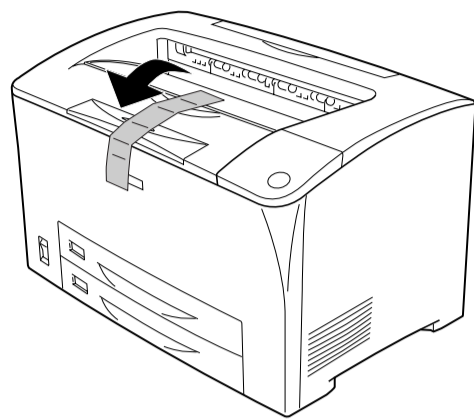


Cautions must be observed to avoid damage to your equipment.

Notes contain important information and useful tips on the operation of your printer.

1 Assembling the Printer

Removing the Protective Materials



Finding a Place for the Printer

Allow adequate space for easy operation and maintenance. The illustration shows the recommended amount of space.

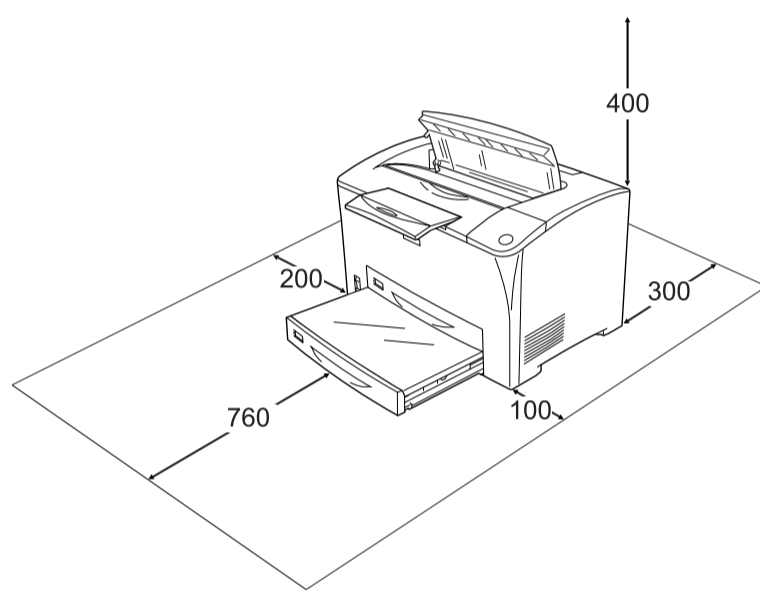
- Place the printer where you can easily unplug the power cord.
- Keep the entire computer and printer system away from potential sources of interference, such as loudspeakers or the base units of cordless telephones.



Caution:

- Avoid locations that are subject to direct sunlight, excessive heat, moisture, or dust.
- Do not place the printer on a surface that is smaller than the printer's bottom panel. Doing so may cause troubles on printing and feeding due to the internal excessive load of the printer. Be sure to locate the printer on a flat, wide surface where the rubber pads can be placed stably.

Dimensions shown in the illustration below are in millimeters



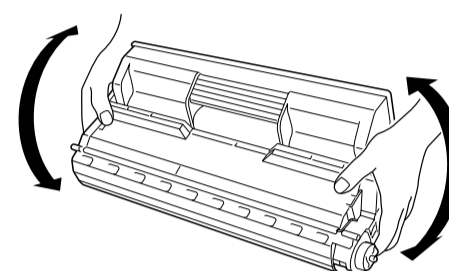
Installing the Imaging Cartridge



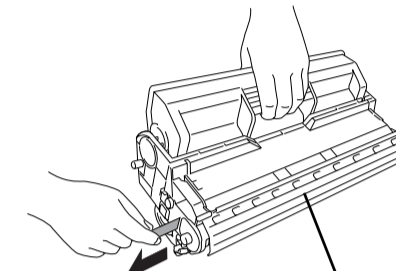
Caution:

- When handling the imaging cartridge, always place them on a clean smooth surface.
- If toner gets onto your skin or clothes, wash it off with soap and water immediately.
- Wait for at least one hour before installing an imaging cartridge after moving it from a cool to a warm environment to prevent damage from condensation.
- Do not turn the imaging cartridge upside down or stand it on its ends.
- Do not open the drum's protective cover and avoid exposing the imaging cartridge to room light any longer than necessary. Overexposing the cartridge may cause abnormally dark or light areas to appear on the printed page and reduce the life of the cartridge.

- 1 Gently shake the imaging cartridge a few times.

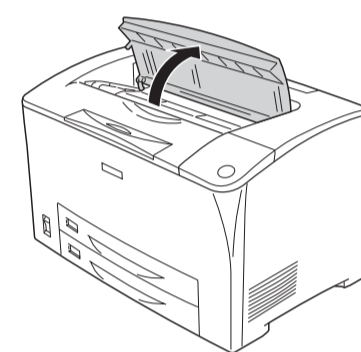


- 2 Pull the yellow tape seal all the way out and remove it.

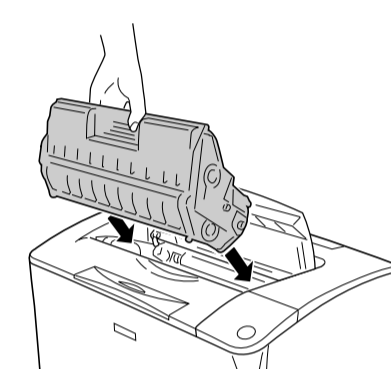


Do not open this cover.

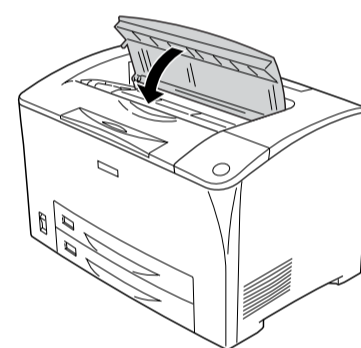
- 3 Open cover A.



- 4 Insert the cartridge firmly.



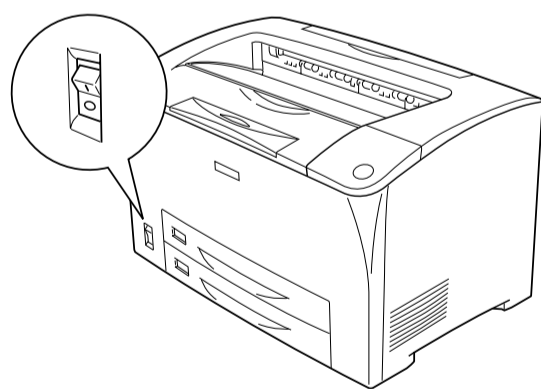
- 5 Close cover A.



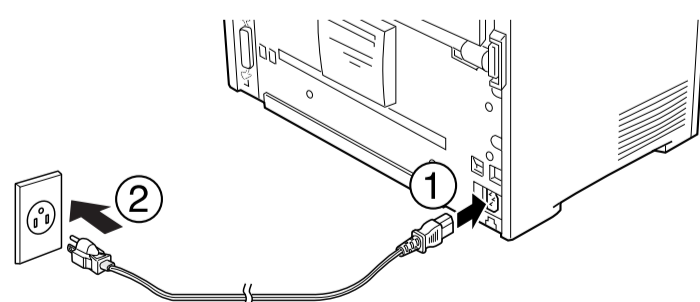
2 Connecting the Printer

Plugging in the Printer

- 1 Make sure the printer is turned off.



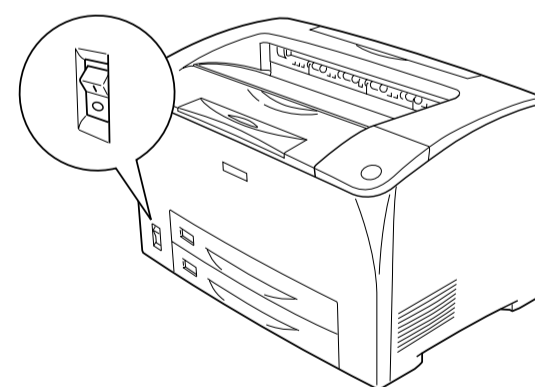
- 2 Insert the power cord into the back of the printer. Then plug the other end into an electrical outlet.



Connecting the Printer to a Computer

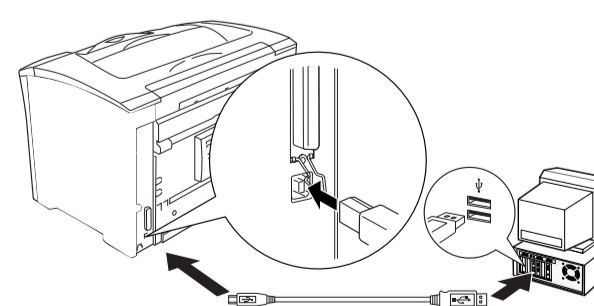
Use a shielded, USB Revision 1.1 cable, or twisted-pair parallel interface cable that is IEEE-1284 compatible.

- 1 Make sure that both the printer and the computer are off.

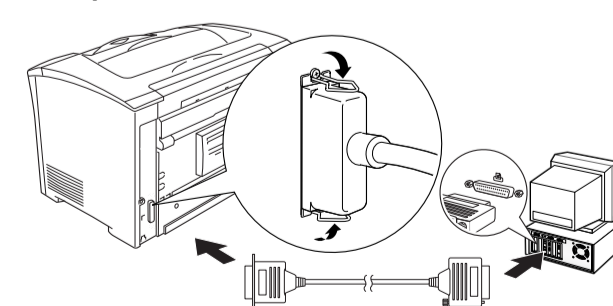


- 2 Attach the USB or parallel interface cable to the printer. Plug the other end of the cable into the computer's USB or parallel interface connector.

<For USB interface users>



<For parallel interface users>

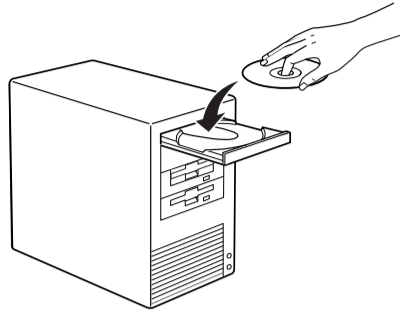
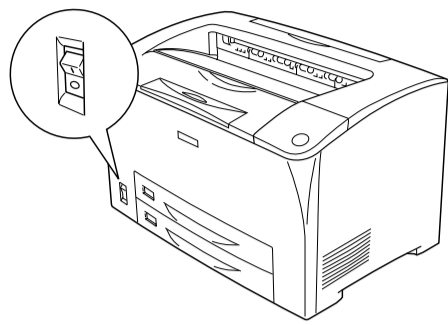


3 Installing the Printer Software

Printer driver

The printer driver gives you complete control over your printer settings when using Microsoft Windows Me, 98, 95, XP, 2000, NT® 4.0 (except Terminal Server Edition), and Mac OS® 8.1 to 9.x, Quick Time 3.0 or later. With it, you can make settings such as print quality and paper size.

- 1 Make sure that your printer is turned off.
- 2 Insert the printer software CD-ROM in the CD-ROM drive. For Macintosh users, double-click the EPSON icon.



- 3 Select **Install Software**, and click . Then follow the on-screen instructions.



Note for Windows users:
If the EPSON Installation Program screen does not appear automatically, double-click the My Computer icon, right-click the CD-ROM icon, and click OPEN in the menu that appears. Then double-click Setup.exe.

About an Additional Driver (For Windows users)

When the printer is shared with some computers (clients) in a network and the print server's OS is Windows XP, 2000 or NT 4.0, you can install the printer driver for the client's OS in the server as an additional driver. This allows the clients to download the appropriate printer driver from the printer server if necessary. See "Setting Up Your Printer on a Network" in the Reference Guide in the CD-ROM for details.

About Printer Sharing

You can use a printer connected to a local computers over a network. See "Setting Up Your Printer on a Network" in the Reference Guide in the CD-ROM for details.

Note for Windows users:

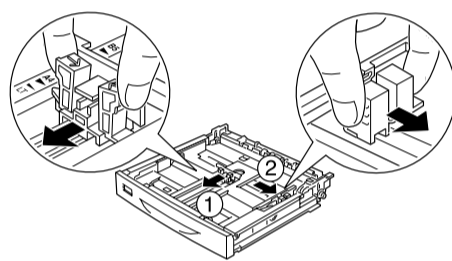
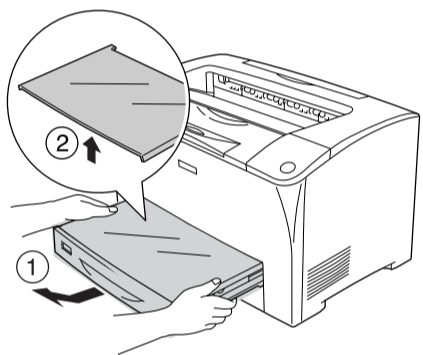
To ensure proper operation, a computer name must be entered in your computer's settings. Make sure there are no invalid characters in the name. If your printer is shared, make sure the name is unique to your computer. For information on setting the computer name, see the documentation for your operating system.

4 Testing the Printer

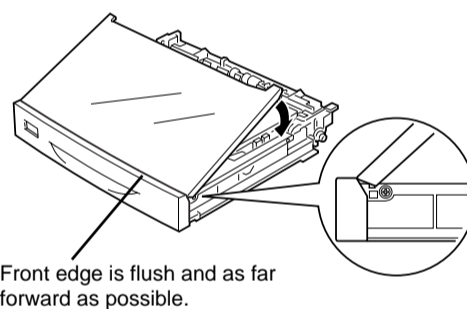
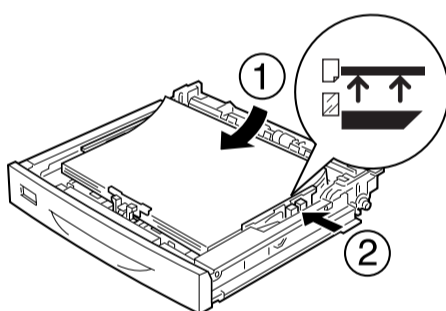
To confirm the current status of the printer, print a status sheet. The status sheet contains information about the printer, the consumable, and the current settings.

Loading Paper

- 1 Remove the MP tray from the printer and remove the MP tray cover.
- 2 Slide the paper guides outward as shown as below.

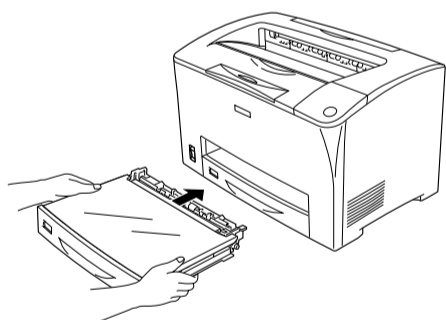


- 3 Set A4 or Letter paper into the tray with the printable side facing up as shown as below.
- 4 Replace the MP tray cover.



Front edge is flush and as far forward as possible.

- 5 Insert the MP tray into the printer.

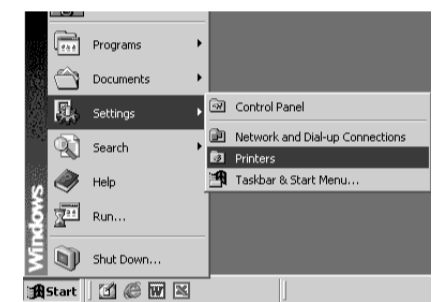
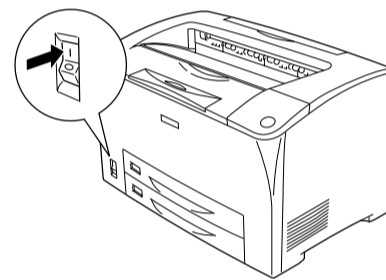


Note:
To load other paper sizes, see "Paper Handling" in the Reference Guide on the CD-ROM.

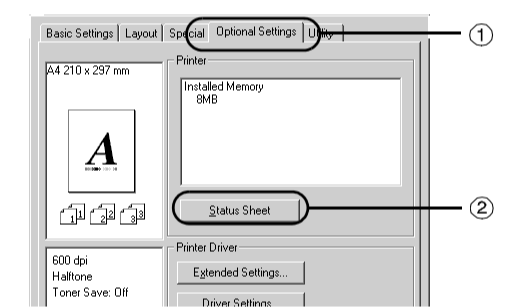
Printing the Status Sheet

For Windows users

- 1 Turn on the printer.
- 2 Click **Start**, point to **Settings**, and click **Printer**.

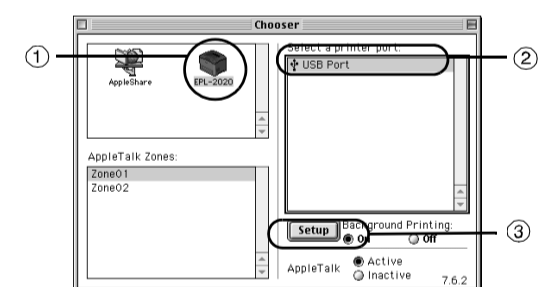
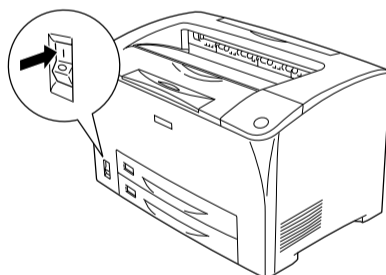


- 3 Right-click the icon of your printer, and click **Properties** (in Windows Me/98/95), **Printing Preferences** (in Windows XP/2000), **Document Defaults** (in Windows NT4.0).
- 4 Click the **Optional Settings** tab, and click **Status Sheet**.

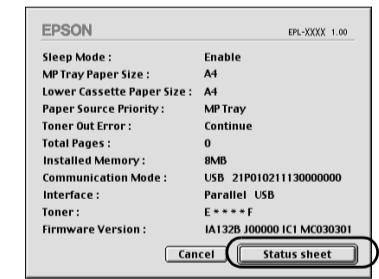
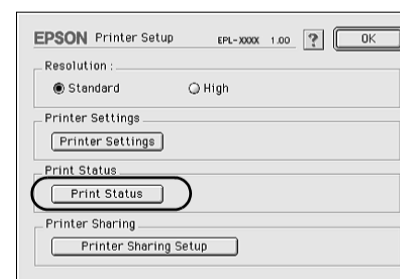


For Macintosh users

- 1 Turn on the printer.
- 2 Select **Chooser** from Apple menu. Click the icon of your printer and select the USB port connecting to your printer. Then click **Setup**.



- 3 Click **Print Status**.
- 4 Click **Status Sheet**.



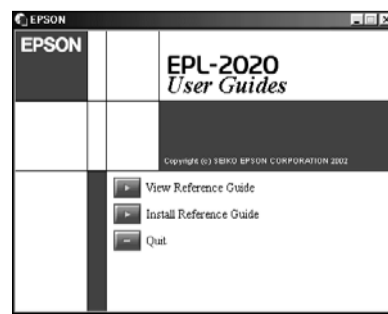
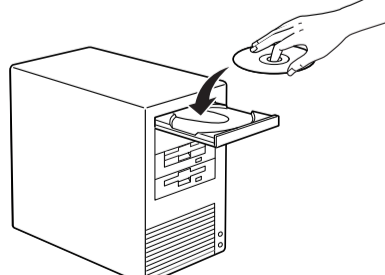
If the status sheet cannot be printed, see "Problem Solver" in the Reference Guide in the CD-ROM.

Getting More Information

The CD-ROM shipped with your printer includes the online *User Guides* as well as the printer software. Microsoft Internet Explorer 4.0 or later, or Netscape Navigator 4.0 or later must be installed in your computer to read the *Reference Guide*.

To open the online Users Guides, see the instructions below.

- 1 Insert the printer software CD-ROM in the CD-ROM drive. For Macintosh users, double-click the EPSON icon.
- 2 Select **User Guides**, and click .
- 3 The following screen appears.



View Reference Guide

Select **View Reference Guide** in the EPSON User Guides screen. This guide provides you with detailed information on the printer's functions, maintenance, troubleshooting, and technical specifications.