



AL-C300 Series

Safety Information Guide

NPD5358-00

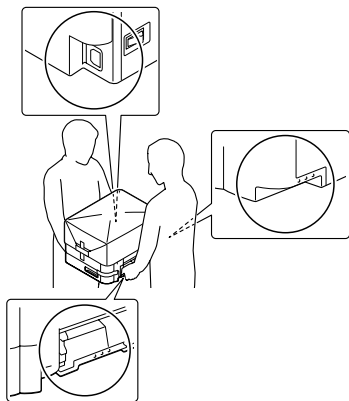
Important Instructions

Important Instructions

Important Safety Instructions

Setting up the printer

- ❑ Because the printer weighs approximately 27.5 kg (60.6 lb) for the N model or 28.3 kg (62.4 lb) for the DN model with consumable products installed, one person should not lift or carry it. Two people should carry the printer, lifting it by the correct positions as shown below.



- ❑ When moving the printer, always keep it horizontal.
- ❑ If you are unable to insert the AC plug into the electrical outlet, contact an electrician.
- ❑ Do not connect to an uninterruptible power source. If you connect to one, it may cause malfunctions or damage.
- ❑ Be sure the AC power cord meets the relevant local safety standards. Use only the power cord that comes with this product. Use of another cord may result in fire or electric shock. This product's power cord is for use with this product only. Use with other equipment may result in fire or electric shock.
- ❑ If damage occurs to the plug, replace the cord set or consult a qualified electrician. If there are fuses in the plug, make sure you replace them with fuses of the correct size and rating.
- ❑ Use a grounded outlet that matches the printer's power plug. Do not use an adapter plug.

- ❑ Avoid using an electrical outlet that is controlled by wall switches or automatic timers. Accidental disruption of power can erase valuable information in your computer's and printer's memory.
- ❑ Make sure that there is no dust on the socket.
- ❑ Be sure to insert the plug completely into the electrical outlet.
- ❑ Do not handle the plug with wet hands.
- ❑ Unplug this printer from the wall outlet and refer servicing to a qualified service representative under the following conditions:

A.	When the power cord or plug is damaged or frayed.
B.	If liquid has been spilled into it.
C.	If it has been exposed to rain or water.
D.	If it does not operate normally when the operating instructions are followed. Adjust only those controls that are covered by the operating instructions since improper adjustment of other controls may result in damage and will often require extensive work by a qualified technician to restore the product to normal operation.
E.	If it has been dropped or the cabinet has been damaged.
F.	If it exhibits a distinct change in performance, indicating a need for service.

- ❑ Avoid sharing outlets with other appliances.
- ❑ Connect all equipment to properly grounded power outlets. Avoid using outlets on the same circuit as photocopiers or air control systems that regularly switch on and off.
- ❑ Connect your printer to an electrical outlet that meets the power requirements of this printer. Your printer's power requirements are indicated on a label attached to the printer. If you are not sure of the power supply specifications in your area, contact your local power company or consult your dealer.
- ❑ If you use an extension cord, make sure that the total of the ampere ratings on the products plugged into the extension cord does not exceed the extension cord ampere rating.

Important Instructions

- ❑ When connecting this product to a computer or other device with a cable, ensure the correct orientation of the connectors. Each connector has only one correct orientation. Inserting a connector in the wrong orientation may damage both devices connected by the cable.
- ❑ Use only optional products, such as the paper cassette units and the printer stand, produced specifically for this product. Using options produced for other products may cause the product to fall over and injure someone.

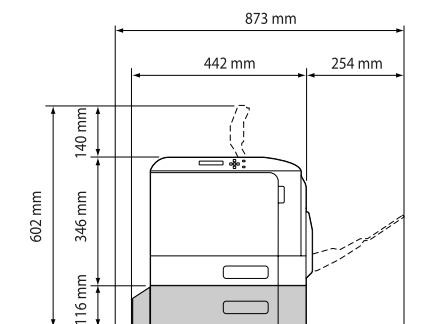
Finding the place for the printer

When relocating the printer, always choose a location that has adequate space for easy operation and maintenance. Use the following illustration as a guide for the amount of space required around the printer to ensure smooth operation.

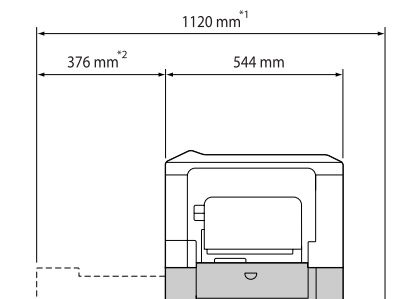
Note:

Figures are rounded to the nearest decimal place.

Front View



Side View



*1 1086 mm if the optional cassette unit is not installed.

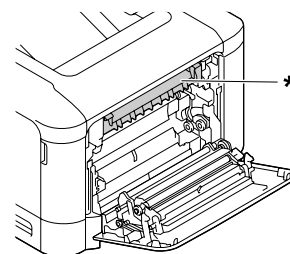
*2 342 mm if the optional cassette unit is not installed.

In addition to space considerations, always heed the following precautions when finding a place to locate the printer:

- ❑ Place the printer near an electrical outlet where you can easily plug in and unplug the power cord.
- ❑ Do not put your printer where the cord will be stepped on.
- ❑ Do not use printer in a damp environment.
- ❑ Avoid locations that are subject to direct sunlight, excessive heat, moisture, oil vapor, or dust.
- ❑ Avoid locations that are subject to the air coming directly from an air conditioner.
- ❑ Do not place the printer on an unstable surface.
- ❑ Slots and openings in the cabinet and the back or bottom are provided for ventilation. Do not block or cover them. Do not put the printer on a bed, sofa, rug, or other similar surface or in a built-in installation unless proper ventilation is provided.
- ❑ Keep the entire computer and printer system away from potential sources of interference, such as loudspeakers or the base units of cordless telephones.
- ❑ Leave adequate room around the printer to allow for sufficient ventilation.

Using the printer

- ❑ Be careful not to touch the fuser, which is marked with a caution label, or the surrounding areas. If the printer has been in use, the fuser and the surrounding areas may be very hot. If you must touch one of these areas, wait 40 minutes to allow the heat to subside before doing so.



* caution label

- ❑ Do not insert your hand deep into the fuser unit as some components are sharp and may cause injury.

Important Instructions

- ❑ Never push objects of any kind through cabinet slots as they may touch dangerous voltage points or short out parts that could result in a risk of fire or electric shock.
- ❑ Do not sit or lean on the printer. Do not put heavy objects on the printer.
- ❑ Do not use any kind of combustible gases in or around the printer.
- ❑ Never force the printer's components into place. Although the printer is designed to be sturdy, rough handling can damage it.
- ❑ Do not leave jammed paper inside the printer. This can cause the printer to overheat.
- ❑ Never spill liquid of any kind on the printer.
- ❑ Adjust only those controls that are covered by the operating instructions. Improper adjustment of other controls may result in damage and may require repair by a qualified service representative.
- ❑ Do not turn off the printer:
 - After turning on the printer, wait until **Ready** appears on the LCD panel.
 - While the **Ready** light is flashing.
 - While the **Data** light is on or flashing.
 - While printing.
- ❑ Avoid touching the components inside the printer unless instructed to do so in this guide.
- ❑ Follow all warnings and instructions marked on the printer.
- ❑ Except as specifically explained in the printer's documentation, do not attempt to service this product yourself.
- ❑ Periodically disconnect the plug from the electrical outlet and clean the blades.
- ❑ Do not disconnect the plug while the printer is on.
- ❑ If the printer will not be used for a long time, disconnect the plug from the electrical outlet.
- ❑ Unplug this printer from the wall outlet before cleaning.
- ❑ Use a well-wrung cloth for cleaning and do not use liquid or aerosol cleaners.

Handling the consumable products and maintenance parts

- ❑ Do not burn used consumable products or maintenance parts because they might explode and injure someone. Dispose of them according to local regulations.
- ❑ Be sure to keep consumable products and maintenance parts out of the reach of children.
- ❑ When handling a toner cartridge, always place it on a clean, smooth surface.
- ❑ Do not attempt to modify or take it apart consumable products or maintenance parts.
- ❑ Do not touch the toner. Always keep toner away from your eyes. If toner gets on your skin or clothes, wash it off with soap and water immediately.
- ❑ If toner is spilled, use a broom and dustpan or a damp cloth with soap and water to clean it up. Because the fine particles can cause a fire or explosion if they come into contact with a spark, do not use a vacuum cleaner.
- ❑ Wait at least one hour before using a toner cartridge after moving it from a cool to a warm environment to prevent damage from condensation.
- ❑ To get the best print quality, do not store the toner cartridge or photoconductor unit in an area subject to direct sunlight, dust, salty air, or corrosive gases (such as ammonia). Avoid locations subject to extreme or rapid changes in temperature or humidity.
- ❑ When removing the photoconductor unit, do not expose it to sunlight at all and avoid exposing it to room light for more than three minutes. The photoconductor unit contains a light-sensitive drum. Exposure to light can damage the drum, causing dark or light areas to appear on the printed page and reducing the service life of the drum. If you need to keep the photoconductor unit out of the printer for long periods, cover it with an opaque cloth.

Important Instructions

- ❑ Be careful not to scratch the surface of the drum. When you remove the photoconductor unit from the printer, always place it on a clean, smooth surface. Avoid touching the drum, since oil from your skin can permanently damage its surface and affect print quality.
- ❑ Do not touch the transfer rollers on the transfer units to avoid damaging them.
- ❑ Do not let the paper's edge slide across your skin because the edge of the paper may cut you.

Safety Information

Laser safety labels



Warning:

The performance of procedures and adjustments other than those specified in the printer's documentation may result in hazardous radiation exposure. Your printer is a Class 1 laser product as defined in the IEC60825 specifications. The label similar to the one shown below is attached to the back of the printer in countries where required.



Internal laser radiation

There is a Class III b Laser Diode Assembly that has an invisible laser beam inside the printer head unit. The printer head unit is NOT A SERVICE ITEM, therefore, the printer head unit should not be opened under any circumstances. An additional laser warning label is affixed to the inside of the printer.

Ozone safety

Ozone emission

Ozone gas is generated by laser printers as a by-product of the printing process. Ozone is produced only when the printer is printing.

Ozone exposure limit

The Epson laser printer generates less than 3 mg/h of continuous printing.

Minimize the risk

To minimize the risk of exposure to ozone, you should avoid the following conditions:

- ❑ Use of multiple laser printers in a confined area
- ❑ Operation in conditions of extremely low humidity
- ❑ Poor room ventilation
- ❑ Long, continuous printing together with any of the above

Printer location

The printer should be located so that the exhaust gases and heat generated are:

- ❑ Not blown directly into the user's face
- ❑ Vented directly out of the building whenever possible

Restrictions on Making Copies

Observe the following restrictions in order to ensure the responsible and legal use of this printer.

Making copies of the following items is prohibited by law

- ❑ Bank bills, coins, government-issued marketable securities, government bond securities, and municipal securities
- ❑ Unused postage stamps, pre-stamped postcards, and other official postal items bearing valid postage
- ❑ Government-issued revenue stamps, and securities issued according to legal procedure

Exercise caution when making copies of the following items

Important Instructions

- ❑ Private marketable securities (stock certificates, negotiable notes, checks, etc.), monthly passes, concession tickets, etc.
- ❑ Passports, driver's licenses, warrants of fitness, road passes, food stamps, tickets, etc.

Responsible use of copyrighted materials

The printer may be used mistakenly or improperly to illegally copy copyrighted materials. You must act responsibly when copying copyrighted materials; by acquiring the permission of the copyright holder or acting on the advice of a knowledgeable attorney.

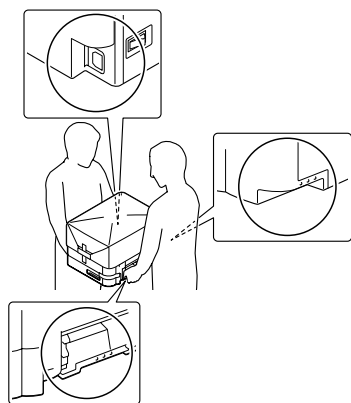
Vigtige instruktioner

Vigtige instruktioner

Vigtige sikkerhedsinstruktioner

Fysisk installation af printeren

- ❑ Eftersom printeren vejer ca. 27,5 kg (N-modellen) eller 28,3 kg (DN-modellen) med installerede forbrugsvarer, bør én person ikke løfte eller bære den. To personer skal bære printeren ved at tage fat de korrekte steder og løfte den, som vist nedenfor.



- ❑ Ved flytning af printeren skal den altid holdes vandret.
- ❑ Kontakt en elektriker, hvis det ikke er muligt at sætte vekselstrømsstikket i stikkontakten.
- ❑ Tilslut ikke til en strømkilde, som ikke kan afbrydes. Hvis du tilslutter til en, kan det medføre funktionsfejl eller skader.
- ❑ Kontroller, at strømledningen opfylder de relevante lokale sikkerhedsstandarder. Brug kun den strømledning, der følger med produktet. Brug af en anden ledning kan forårsage brand eller elektrisk stød. Produktets strømledning er kun beregnet til brug sammen med dette produkt. Anvendelse sammen med andet udstyr kan føre til brand eller elektrisk stød.
- ❑ Hvis stikket beskadiges, skal det udskiftes eller repareres af en autoriseret elektriker. Hvis der er sikringer i stikket, skal disse udskiftes med sikringer af korrekt størrelse og mærkekapacitet.

- ❑ Brug en jordet stikkontakt, der passer til printerens elstik. Brug ikke en adapter.
- ❑ Brug ikke strømudtag, der styres af vægkontakter eller automatiske timere. Utsigtet afbrydelse af strømmen kan betyde, at værdifulde oplysninger i computerens og printerens hukommelse går tabt.
- ❑ Kontroller, at der ikke er støv på stikket.
- ❑ Sæt stikket helt ind i stikkontakten.
- ❑ Rør ikke ved stikket med våde hænder.
- ❑ Kobl printeren fra stikkontakten, og overlad enhver service til en servicerepræsentant under følgende omstændigheder:

A.	Når netledningen eller stikket er beskadiget eller trævlet.
B.	Hvis der er spildt væske ned i den.
C.	Hvis den har været udsat for regn eller vand.
D.	Hvis den ikke fungerer normalt, når betjeningsanvisningerne følges. Juster kun de reguleringsenheder, der er omfattet af betjeningsanvisningerne, da forkert justering af andre reguleringsenheder kan medføre beskadigelse, der ofte kræver omfattende reparationsarbejde af en kvalificeret tekniker for at opnå normal funktion på produktet igen.
E.	Hvis den er blevet tabt, eller kabinettet er beskadiget.
F.	Hvis den udviser en tydelig ændret ydelse, der indikerer behov for service.

- ❑ Undlad at slutte printeren til en stikkontakt, som andre apparater er tilsluttet.
- ❑ Tilslut alt udstyr til korrekt jordforbundne kontakter. Undgå at bruge kontakter på samme kredsløb som fotokopimaskiner eller airconditionssystemer, som tændes og slukkes med jævne mellemrum.
- ❑ Tilslut printeren til en stikkontakt, der opfylder denne printers strømkrav. Printerens strømkrav fremgår af en etiket, der er anbragt på printeren. Kontakt det lokale elselskab eller forhandleren, hvis du er i tvivl om de lokale strømforsyningspecifikationer.

Vigtige instruktioner

- ❑ Hvis du bruger en forlængerledning, skal du sikre, at den samlede nominelle strømstyrke for de produkter, der slutes til forlængerledningen, ikke overskrider den nominelle strømstyrke for forlængerledningen.
- ❑ Når du slutter dette produkt til en computer eller en anden enhed med et kabel, skal du sikre, at stikkene vender rigtigt. Hvert stik skal vende på en bestemt måde. Hvis et stik vender forkert, når du sætter det i, kan det beskadige begge de enheder, der er tilsluttet via kablet.
- ❑ Brug kun ekstraudstyr, som f.eks. de papirkassetter og den printerstander, der er fremstillet specielt til dette produkt. Brug af ekstraudstyr til andre produkter kan få produktet til at vælte og forårsage tilskadekomst.

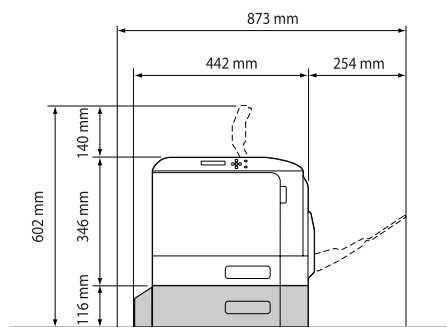
Placering af printeren

Når du flytter printeren, skal du altid vælge en placering, hvor der er plads nok til uhindret betjening og vedligeholdelse. Brug følgende illustration som vejledning for, hvor meget plads rundt om printeren der kræves for at sikre uhindret betjening og drift.

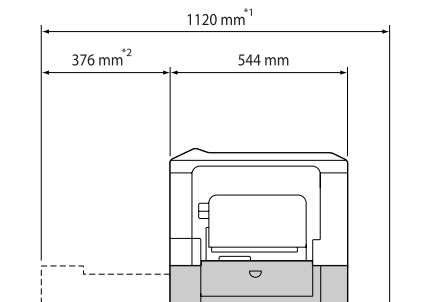
Bemærk:

Cifre er rundet af til det nærmeste decimal.

Set forfra



Set fra siden



*1 1086 mm, hvis kassetteenheden (ekstraudstyr) ikke er installeret.

*2 342 mm, hvis kassetteenheden (ekstraudstyr) ikke er installeret.

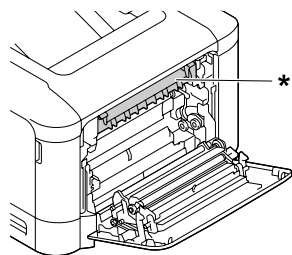
Ud over pladsbetragtninger skal du altid være opmærksom på følgende forholdsregler, når du skal vælge en placering til printeren:

- ❑ Placer printeren i nærheden af en stikkontakt, hvor du nemt kan tilslutte og frakoble netledningen.
- ❑ Placer ikke printeren, så der kan trædes på ledningen.
- ❑ Brug ikke printeren i fugtige omgivelser.
- ❑ Undgå placeringer, der er udsat for direkte sollys, stærk varme, fugt, oliedamp eller støv.
- ❑ Undgå placeringer, der er udsat for luft, som kommer direkte fra et klimaanlæg.
- ❑ Placer ikke printeren på en ujævn overflade.
- ❑ Huller og åbninger i kabinettet og bagsiden eller bunden er til ventilation. De må ikke blokeres eller dækkes. Placer ikke printeren på en seng, sofa, et tæppe eller en lignende overflade eller i en indbygget installation, medmindre der er tilstrækkelig ventilation.
- ❑ Hold hele computeren og printersystemet væk fra potentielle støjkilder, f.eks. højttalere eller standere til trådløse telefoner.
- ❑ Sørg for, at der er nok plads omkring printeren til, at ventilationen kan fungere korrekt.

Vigtige instruktioner

Bruge printeren

- ❑ Pas på ikke at berøre fikseringsenheden, som er mærket med en forsigtigmærkat, eller de omkringliggende områder. Hvis printeren har været i brug, kan fikseringsenheden og de omkringliggende områder være meget varme. Hvis det er nødvendigt at berøre et af disse områder, skal du vente 40 minutter for at lade dem afkøle, før du berører dem.



* forsigtigmærkat

- ❑ Før ikke hånden langt ind i fikseringsenheden, da nogle af de indvendige dele er skarpe og kan forårsage personskade.
- ❑ Skub aldrig objekter af nogen art gennem hullerne i kabinettet, da sådanne objekter kan berøre farlige strømførende punkter eller kortslutte dele, hvilket kan medføre risiko for brand eller elektrisk stød.
- ❑ Sid ikke på, og læn dig ikke til printeren. Placer ikke tunge genstande på printeren.
- ❑ Brug ikke nogen former for brændbare gasser i og omkring printeren.
- ❑ Tving aldrig printerens komponenter på plads. Selvom printeren er fremstillet til at være robust, kan den blive beskadiget ved hårdhændet håndtering.
- ❑ Lad ikke fastsiddende papir blive siddende inde i printeren. Dette kan medføre overophedning af printeren.
- ❑ Spild aldrig væske af nogen art på printeren.
- ❑ Juster kun de reguleringsenheder, der er nævnt i betjeningsanvisningerne. Forkert justering af andre reguleringsenheder kan forårsage beskadigelse, der nødvendiggør reparation af printeren hos en kvalificeret servicerepræsentant.

- ❑ Sluk ikke printeren:
 - Efter du har tændt printeren, skal du vente indtil der vises Ready (KLAR) i LCD-panelet.
 - Når indikatoren Klar blinker.
 - Når indikatoren Data lyser eller blinker.
 - Under udskrivning.
- ❑ Undlad at røre ved komponenterne inde i printeren, medmindre det angives i denne vejledning, at du skal gøre det.
- ❑ Følg alle advarsler og anvisninger, der er angivet på printeren.
- ❑ Forsøg aldrig selv at udføre service, der ikke er udtrykkeligt angivet i dokumentationen, på dette produkt.
- ❑ Tag med jævne mellemrum stikket ud af kontakten og rengør benene.
- ❑ Tag ikke stikket ud, mens printeren er tændt.
- ❑ Tag stikket ud af stikkontakten, hvis printeren ikke skal bruges i længere tid.
- ❑ Tag printerens stik ud af stikkontakten før rengøring.
- ❑ Brug en godt opvredet klud til rengøring, og brug ikke flydende rensmidler eller sprayrensemidler.

Håndtering af forbrugsvarerne og vedligeholdelsesdelene

- ❑ Afbrænd ikke brugte forbrugsvarer eller vedligeholdelsesdele, da de kan eksplodere og forårsage tilskadekomst. Bortskaf dem i overensstemmelse med de lokale forskrifter.
- ❑ Opbevar alle forbrugsvarer og vedligeholdelsesdele uden for børns rækkevidde.
- ❑ Ved håndtering af en tonerkassette skal den altid placeres på en ren, jævn overflade.
- ❑ Forsøg ikke at modificere eller adskille forbrugsvarer eller vedligeholdelsesdele.
- ❑ Rør ikke ved toneren. Undgå at få toner i øjnene. Hvis du får toner på huden eller tøjet, skal du straks vaske området omhyggeligt med sæbe og vand.

Vigtige instruktioner

- ❑ Hvis der spildes toner, skal du bruge en kost og fejebakke eller en fugtig klud med sæbe og vand til at fjerne den spildte toner. Da de fine partikler kan forårsage brand eller eksplosion, hvis de kommer i kontakt med en gnist, må du ikke bruge en støvsuger.
- ❑ Vent mindst en time, før du bruger en tonerkassette, hvis den forinden er flyttet fra kolde til varme omgivelser. Hvis dette undlades, kan der opstå skader på grund af kondensering.
- ❑ Du opnår den bedst mulige udskriftskvalitet ved at undlade at opbevare tonerkassetten eller fotolederenheden på steder, hvor de udsættes for direkte sollys, støv, saltholdig luft eller ætsende gasser (f.eks. ammoniak). Undgå steder, hvor der kan opstå ekstreme eller hurtige temperatur- eller fugtighedsændringer.
- ❑ Når du fjerner fotolederenheden, må den overhovedet ikke udsættes for sollys, og undgå at udsætte den for rumbelysning i mere end tre minutter. Fotolederenheden indeholder en lysfølsom tromle. Hvis tromlen udsættes for lys, kan den tage skade, hvilket medfører mørke eller lyse områder på udskrifterne og reducerer tromlens levetid. Hvis fotolederenheden skal opbevares uden for printeren i længere tid, skal den tildækkes med et uigennemskinneligt klæde.
- ❑ Pas på ikke at komme til at ridse tromlens overflade. Når du tager fotolederenheden ud af printeren, skal du altid placere den på en ren, jævn overflade. Undgå at berøre tromlen, da olie fra din hud kan forårsage permanent beskadigelse af tromlens overflade og forringe udskriftskvaliteten.
- ❑ Rør ikke ved overførselsrullerne på overførselsenhederne for at undgå at beskadige dem.
- ❑ Lad ikke papirets kanter glide hen over huden, da du kan skære dig på kanten af papiret.

Sikkerhedsoplysninger

Lasersikkerhedsetiketter



Advarsel:

Udførelse af andre procedurer eller justeringer end de, der er angivet i printerens dokumentation, kan forårsage eksponering af farlig stråling. Printeren er et klasse 1-laserprodukt som defineret i IEC60825-specifikationerne. Mærkatens, i stil med den der er vist nedenfor, er fastgjort på printerens bagside i lande, hvor dette er påkrævet.



Intern laserstråling

Der sidder en laserdiodeenhed af klasse IIIB med usynlig laserstråle inde i printerhovedet. Printerhovedet er IKKE ET SERVICEEMNE, og må ikke åbnes under nogen omstændigheder. Der er fastgjort yderligere en sikkerhedsetiket inden i printeren.

Sikkerhed i forbindelse med ozon

Ozonemission

Laserprintere danner ozongas som et biprodukt af udskrivningsprocessen. Ozon produceres kun, mens printeren udskriver.

Grænseværdi for ozoneksponering

Epson-laserprintere genererer mindre end 3 mg/t ved kontinuerlig udskrivning.

Reducering af risikoen

Du bør undgå følgende situationer for at minimere risikoen for eksponering med ozon:

- ❑ Brug af flere laserprintere på begrænset plads

Vigtige instruktioner

- Brug i omgivelser med ekstrem lav fugtighed
- Dårlig udluftning af rum
- Langvarig, kontinuerlig udskrivning sammen med en af ovennævnte

Placering af printer

Printeren bør placeres, så de afgivne gasser og varme:

- Ikke blæses direkte ind i brugerens ansigt
- Sendes direkte ud af bygningen, hvor dette er muligt

Begrænsninger på kopiering

Overhold de følgende begrænsninger for at sikre en ansvarlig og lovlig brug af denne printer.

Kopiering af de følgende ting er forbudt ved lov

- Pengesedler, mønter, regeringsudstedte værdipapirer som kan handles, statsobligationer og kommunale værdipapirer
- Ubrugte frimærker, forfrankerede postkort og andre officielle postemner med gyldig frankering
- Regeringsudstedte stempelmærker og værdipapirer udstedt i overensstemmelse med retsprocedure

Vær forsigtig ved kopiering af de følgende ting

- Private værdipapirer som kan handles (aktiecertifikater, omsættelige papirer, checks osv.), månedspas, koncessionsbilletter osv.
- Pas, kørekort, sundhedsattester, vejbetalingskort, fødevarekuponer, billetter osv.

Ansvarlig brug af kopibeskyttede materialer

Printeren kan muligvis anvendes ved en fejltagelse eller uretmæssigt til ulovlig kopiering af kopibeskyttede materialer. Du skal handle ansvarligt ved kopiering af kopibeskyttede materialer. Indhent tilladelse fra indehaveren af ophavsretten, eller handl som anvist af en kyndig advokat.

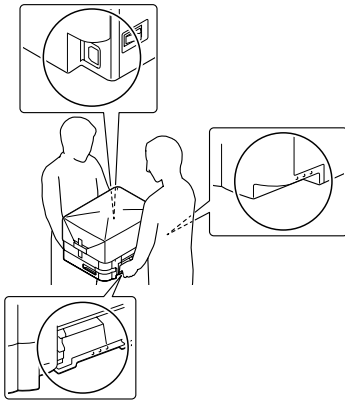
Tärkeitä ohjeita

Tärkeitä ohjeita

Tärkeitä turvallisuusohjeita

Tulostimen asennus

- ❑ Koska tulostimen N-malli painaa noin 27,5 kg (60,6 lb) ja DN-malli painaa noin 28,3 kg (62,4 lb) tarvikkeiden ollessa asennettuina, yhden henkilön ei tulisi yksinään nostaa tai kantaa sitä: Tulostimen kantamiseen tarvitaan kaksi henkilöä. Tulostin tulee nostaa oikeista paikoista alla olevan kuvan mukaisesti.



- ❑ Kun siirrät tulostinta, pidä se aina vaakatasossa.
- ❑ Jos vaihtovirtapistoke ei mene asianmukaisesti paikoilleen, ota yhteys sähköasentajaan.
- ❑ Älä yhdistä keskeytyksettömään virtalähteeseen. Jos kytket sellaiseen virtalähteeseen, seurauksena voi olla toimintahäiriöitä tai vaurioita.
- ❑ Varmista, että virtajohto on asianmukaisten paikallisten turvallisuusmääräysten mukainen. Käytä vain laitteen mukana tulevaa virtajohtoa. Toisten virtajohtojen käyttäminen saattaa johtaa tulipaloon tai sähköiskuun. Tämän laitteen virtajohtoa tulee käyttää vain tälle laitteelle. Sen käyttäminen muussa laitteessa saattaa aiheuttaa tulipalon tai sähköiskun.
- ❑ Jos pistoke vahingoittuu, vaihda virtajohto tai ota yhteyttä valtuutettuun sähköasentajaan. Jos pistokkeessa on sulakkeita, varmista, että vaihdat sulakkeet kooltaan ja virtamäärältään sopiviin sulakkeisiin.

- ❑ Käytä maadoitettua, tulostimen pistokkeen mukaista pistorasiaa. Älä käytä sovitinpistokkeita.
- ❑ Vältä käyttämästä pistorasioita, jotka on varustettu seinäkatkaisimella tai automaattiajastimella. Virran tahaton katkeaminen voi tyhjentää tärkeät tiedot tietokoneen ja tulostimen muistista.
- ❑ Varmista, ettei pistukassa ole pölyä.
- ❑ Työnnä pistoke kokonaan pistorasiaan.
- ❑ Älä koske pistokkeeseen märin käsin.
- ❑ Irrota tulostin pistorasiasta ja vie ammattitaitoiseen huoltoon seuraavissa tilanteissa:

A.	Virtajohto tai -pistoke on vahingoittunut tai kulunut.
B.	Tulostimeen on valunut nestettä.
C.	Tulostin on joutunut alttiiksi sateelle tai vedelle.
D.	Tulostin ei toimi normaalisti, vaikka sitä käytetään ohjeiden mukaan. Säädä vain niitä asetuksia, joita on käsitelty käyttöohjeissa. Muiden asetusten virheellinen säätö voi vahingoittaa tulostinta ja tuotteen saaminen takaisin käyttökuntoon voi kestää asiantuntevalta teknikolta pitkään.
E.	Tulostin on pudotettu, tai sen kotelo on vahingoittunut.
F.	Tulostin alkaa toimia poikkeavalla tavalla tai ilmenee muuta huollon tarvetta.

- ❑ Vältä muiden laitteiden liittämistä samaan pistorasiaan.
- ❑ Kytke kaikki laitteet kunnolla maadoitettuihin pistorasioihin. Vältä käyttämästä pistorasioita samassa piirissä kuin kopiokoneet tai ilmastointilaitteet, jotka kytkeytyvät päälle ja sammuvat säännöllisesti.
- ❑ Liitä tulostin virtalähteeseen, joka vastaa tulostimen vaatimuksia. Tulostimen virtavaatimukset on ilmoitettu tulostimen merkintätarrassa. Ota epäselvissä tapauksissa yhteyttä alueesi energialaitokseen tai laitteen jälleenmyyjään.

Tärkeitä ohjeita

- ❑ Jos käytät jatkojohtoa, varmista, ettei siihen kytkettyjen laitteiden yhteen laskettu ampeeriarvo ylitä johdolle määritettyä ampeeriarvoa.
- ❑ Kun liität laitteen tietokoneeseen tai muuhun laitteeseen kaapelilla, varmista liitinten suunta. Kukin liitin voidaan liittää ainoastaan yhdellä tavalla. Liittimen kytkeminen väärin voi vahingoittaa molempia kaapelilla liitettäviä laitteita.
- ❑ Käytä vain sellaisia lisävarusteita, kuten arkinsyöttölokeroita ja tulostimen alustaa, jotka on tarkoitettu tätä kyseistä tuotetta varten. Muille tuotteille tarkoitettujen lisävarusteiden käyttäminen voi aiheuttaa tuotteen kaatumisen, mistä voi seurata vammautumisen.

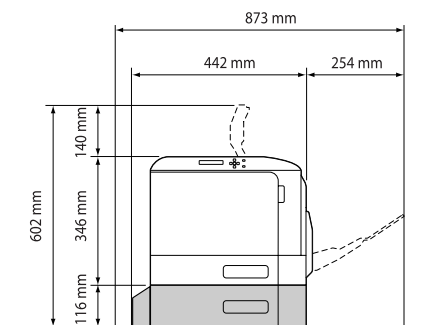
Tulostimen sijoituspaikan valitseminen

Kun sijoitat tulostimen uuteen paikkaan, muista käytön ja huollon asettamat tarpeet varmistamalla, että laitteen ympärillä on riittävästi tilaa. Katso laitteen häiriöttömän toiminnan edellyttämä ympäröivä tila oheisesta kuvasta.

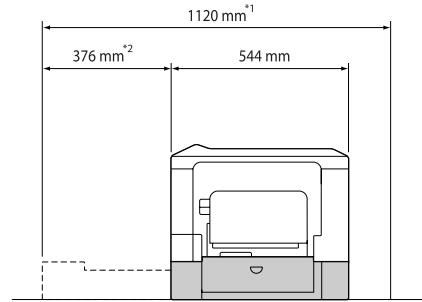
Huomautus:

Luvut on pyöristetty lähimpään desimaalilukuun.

Näkymä edestä



Näkymä sivulta



*1 1086 mm, kun valinnaista kasettiyksikköä ei ole asennettu.

*2 342 mm, kun valinnaista kasettiyksikköä ei ole asennettu.

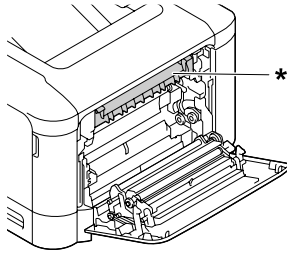
Tilantarpeen lisäksi muista tulostimen sijoitusta harkitessasi aina seuraavat varotoimenpiteet:

- ❑ Aseta tulostin niin, että sen virtajohdon voi kytkeä ja irrottaa helposti.
- ❑ Aseta tulostimen johdot niin, ettei niiden päälle astuta.
- ❑ Älä käytä tulostinta kosteassa ympäristössä.
- ❑ Älä sijoita laitetta paikkaan, jossa se altistuu suoralle auringonvalolle, liialliselle kuumuudelle, kosteudelle, öljyhöyryille tai pölylle.
- ❑ Älä sijoita laitetta paikkaan, jossa se altistuu suoraan ilmastointilaitteesta tulevalle ilmalle.
- ❑ Älä aseta tulostinta epätasaiselle pinnalle.
- ❑ Kotelon takaosassa tai pohjassa olevat aukot on tarkoitettu tuuletusta varten. Älä peitä niitä. Älä aseta tulostinta sängylle, sohvalle, maton päälle tai muulle vastaavalle huokoiselle pinnalle tai asennuskoteloon, jossa ei ole riittävää ilmanvaihtoa.
- ❑ Pidä koko tietokone- ja tulostinjärjestelmä riittävän etäällä mahdollisista häiriolähteistä kuten kaiuttimista ja langattomien puhelinten pöytäyksiköistä.
- ❑ Jätä tulostimen ympärille tarpeeksi tilaa riittävää tuuletusta varten.

Tärkeitä ohjeita

Tulostimen käyttö

- ❑ Älä kosketa kiinnitinyksikköä, jossa on varoitustarra, äläkä sitä ympäröivää aluetta. Kiinnitinyksikkö ja sitä ympäröivät alueet saattavat olla erittäin kuumia, jos tulostinta on käytetty äskettäin. Jos kiinnitinyksikköä tai sen ympäristöä on kosketettava, odota ensin 40 minuuttia, jotta kiinnitinyksikkö ja sen ympäristö viilenevät.



* varoitustarra

- ❑ Älä laita kättä kiinnitinyksikön sisään, sillä se sisältää teräviä osia ja voi aiheuttaa vahinkoja.
- ❑ Älä työnnä mitään esineitä tulostinkotelon aukkoihin, koska se saattaa aiheuttaa oikosulkuja, tulipalon vaaran ja altistaa sähköiskuille.
- ❑ Älä istu tulostimen päälle tai nojaa siihen. Älä aseta tulostimen päälle painavia esineitä.
- ❑ Älä käytä mitään palavia kaasuja tulostimessa tai sen läheisyydessä.
- ❑ Älä aseta tulostimen osia paikalleen väkisin. Tulostin on suunniteltu kestäväksi, mutta liiallinen voiman käyttö saattaa vahingoittaa sitä.
- ❑ Älä jätä juuttunutta paperia tulostimeen. Paperin jättäminen paikalleen saattaa aiheuttaa tulostimen ylikuumentumisen.
- ❑ Vältä nesteiden joutumista tulostimeen.
- ❑ Muuta vain niitä asetuksia, jotka on kuvattu käyttöohjeissa. Muiden asetusten muuttaminen saattaa aiheuttaa vaurioita, jotka voi korjata vain valtuutettu huoltohenkilö.
- ❑ Älä sammuta tulostinta:
 - Kun tulostin on kytketty päälle, odota, kunnes LCD-paneeliin ilmestyy **Ready (VALMIS)**.
 - Valmis-valon vilkkuessa.
 - Data -valon ollessa päällä tai vilkkuessa.
 - Tulostettaessa.

- ❑ Älä kosketa tulostimen sisällä olevia osia, ellei tässä oppaassa ei toisin neuvota.
- ❑ Noudata kaikkia tulostimen varoitus- ja ohjemerkeitä.
- ❑ Älä yritä huoltaa tulostinta itse muilta osin kuin mitä tulostimen ohjeistuksessa nimenomaisesti on mainittu.
- ❑ Irrota pistoke säännöllisesti pistorasiasta ja puhdista nastat.
- ❑ Älä irrota pistoketta tulostimen ollessa päällä.
- ❑ Jollei tulostinta käytetä pitkään aikaan, irrota pistoke pistorasiasta.
- ❑ Irrota tulostin pistorasiasta puhdistuksen ajaksi.
- ❑ Puhdista tulostin hyvin puristetulla kostealla liinalla. Älä käytä nestemäisiä puhdistusaineita tai suihkeita.

Tarvikkeiden ja varaosien käsittely

- ❑ Älä polta käytettyjä tarvikkeita tai varaosia, koska ne voivat räjähtää ja aiheuttaa vammautumisia. Hävitä ne paikallisten säädösten mukaisesti.
- ❑ Muista pitää tarvikkeet ja varaosat poissa lasten ulottuvilta.
- ❑ Värikasettien käsittelyn yhteydessä aseta ne aina puhtaalle tasaiselle tasolle.
- ❑ Älä muuta tai pura kulutustarvikkeita tai varaosia.
- ❑ Älä kosketa väriainetta. Estä aina väriaineen pääsy silmiin. Jos väriainetta pääsee iholle tai vaatteille, pese kohta välittömästi saippualla ja vedellä.
- ❑ Jos väriainetta läikky, siivoa se harjaa ja rikkalapiota tai saippuavedellä kostutettua liinaa käyttäen. Älä käytä imuria, koska hienojakoiset hiukkaset voivat aiheuttaa tulipalon tai räjähdyksen joutuessaan tekemisiin kipinöiden kanssa.
- ❑ Estä kosteuden tiivistymisestä aiheutuvat vahingot odottamalla vähintään tunti, ennen kuin otat värikasetin käyttöön, jos olet siirtänyt sen viileästä ympäristöstä lämpimään.

Tärkeitä ohjeita

- ❑ Paras tulostuslaatu saavutetaan suojaamalla värikseltä tai valojohdeyksikkö suoralta auringonvalolta, pölyltä, suolapitoiselta ilmalta tai syövyttäviltä kaasuilta (mm. ammoniakki). Vältä paikkoja, joissa lämpötila ja kosteus vaihtelevat rajusti tai nopeasti.
- ❑ Kun irrotat valojohdeyksikön, se ei saa lainkaan altistua auringonvalolle, eikä se saa altistua lamppujen valolle yli 3 minuutin ajaksi. Valojohdeyksikössä on valoherkkä rumpu. Valolla altistuminen saattaa vahingoittaa rumpua, aiheuttaa tummia tai vaaleita alueita tulostetulle sivulle ja vähentää rumpun käyttöikä. Jos valojohdeyksikkö on pidettävä pitkään tulostimen ulkopuolella, se on suojattava läpikuultamattomalla kankaalla.
- ❑ Älä raaputa rumpun pintaa. Kun poistat valojohdeyksikön tulostimesta, aseta se aina puhtaalle tasaiselle pinnalle. Vältä rumpun koskettamista, koska ihosta peräisin oleva öljy voi vahingoittaa sen pintaa pysyvästi ja vaikuttaa tulostuslaatuun.
- ❑ Älä koske siirtoyksiköiden siirtoteloihin välttääksesi niiden vahingoittumisen.
- ❑ Varo paperin reunoja, koska ne saattavat viiltää haavan ihoon.

Turvallisuustietoja

Laserturvallisuusmerkinnät



Varoitus:

Tulostimen käsittely ja säätö oppaassa esitettyjen ohjeiden vastaisesti saattaa altistaa käyttäjän vaaralliselle säteilylle. Tulostin on IEC60825-standardin mukainen luokan 1 lasertuote. Alla kuvattu merkintä on tulostimen takaosassa niissä maissa, joissa kyseinen merkintä on pakollinen.



Sisäinen lasersäteily:

Tulostimen kirjoituspäässä on luokan III b laseriodi, jossa käytetään näkymätöntä lasersädettä. Tulostimen kirjoituspää EI OLE HUOLLETTAVISSA, joten sitä ei tule avata missään tapauksessa. Tulostimen sisällä on toinen laserin varoitusmerkintä.

Otsoniturvallisuus

Otsonipäästöt

Lasertulostimet tuottavat otsonikaasua tulostettaessa. Otsonia syntyy vain tulostuksen aikana.

Otsonin altistumisraja

Epson-lasertulostin tuottaa alle 3 mg/h otsonia jatkuvassa tulostuksessa.

Otsoniriskin minimointi

Minimoi otsonille altistumisriski välttämällä seuraavia olosuhteita:

- ❑ Käytä useita lasertulostimia suljetussa tilassa.
- ❑ Käytä tulostinta alhaisessa kosteudessa.
- ❑ Käytä tulostinta huonosti ilmastoidussa tilassa.
- ❑ Tulosta jatkuvasti edellä mainittujen olosuhteiden lisäksi.

Tulostimen sijoittaminen

Tulostin kannattaa sijoittaa niin, että tulostimen tuottamat kaasut ja lämpö:

- ❑ eivät suuntaudu suoraan käyttäjän kasvoihin.
- ❑ johdetaan ulos rakennuksesta, jos mahdollista.

Kopiointia koskevat rajoitukset

Huomioi seuraavat rajoitukset tulostimen vastuullisen ja laillisen käytön varmistamiseksi.

Tärkeitä ohjeita

Kopioiden tekeminen seuraavista kohteista on lain mukaan kiellettyä

- Setelit, kolikot, valtioiden liikkeelle laskemat jälkimarkkinakelpoiset arvopaperit, valtioiden obligaatiot ja kuntien velkakirjat
- Käyttämättömät postimerkit, esileimatut postikortit ja muut viralliset postilähettykset, joissa on todiste maksetusta postimaksusta
- Valtioiden liikkeelle laskemat veromerkit ja oikeusmenettelyllä liikkeelle lasketut arvopaperit

Noudata varovaisuutta kopioidessasi seuraavia kohteita

- Muun kuin valtiosidonnaisen laitokset liikkeelle laskemat jälkimarkkinakelpoiset arvopaperit (osakekirjat, siirtokelvottomat lainasopimukset, shekit jne), kuukausiliput, matkaliput jne.
- Passit, ajokortit, katsastustodistukset, kuitit tiemaksun suorittamisesta, ruokakupongit, liput jne.

Tekijänoikeudellisten materiaalien vastuullinen käyttö

Tulostinta voidaan vahingossa tai virheellisesti käyttää lainvastaisesti tekijänoikeuslain nojalla suojattujen aineistojen kopioimiseen. Toimi vastuullisesti kopioidessasi tekijänoikeuslain nojalla suojattuja aineistoja; hanki asianmukainen lupa tekijänoikeuden haltijalta tai toimi laillisen edustajan ohjeiden mukaan.

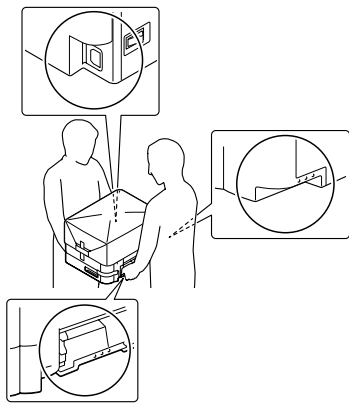
Viktiga instruktioner

Viktiga instruktioner

Viktig säkerhetsinformation

Installera skrivaren

- ❑ Eftersom skrivaren väger ca 27,5 kg för N-modellen eller 28,3 kg för DN-modellen när förbrukningsartiklar är monterade, bör en person inte lyfta eller bära den. Två personer ska hjälpas åt att bära skrivaren genom att lyfta den på rätt sätt enligt bilden nedan.



- ❑ Skrivaren ska alltid hållas i horisontellt läge när den flyttas.
- ❑ Om du inte kan sätta in kontakten i eluttaget kontaktar du en elektriker.
- ❑ Anslut inte till en avbrottsfri strömkälla. Om du ansluter till en sådan strömkälla, kan det orsaka fel eller skador.
- ❑ Kontrollera att nätsladden uppfyller alla tillämpliga, lokala säkerhetsnormer. Använd bara nätsladden som medföljer denna produkt. Om du använder en annan sladd kan det leda till brand eller elektriska stötar. Denna produkts nätsladd är enbart avsedd för användning med denna produkten. Om den används med annan utrustning kan det leda till brand eller elektriska stötar.
- ❑ Byt ut sladden eller kontakta en kvalificerad elektriker om kontakten skadas. Om det finns säkringar i kontakten ska du se till att de byts ut till säkringar av rätt storlek och märkvärde.

- ❑ Använd ett jordat uttag som överensstämmer med skrivarens elkontakt. Använd inte en adapterkontakt.
- ❑ Undvik att använda ett eluttag som styrs av knappar på väggen eller automatiska timers. Oavsiktliga strömavbrott kan radera värdefull information i datorns och skrivarens minne.
- ❑ Kontrollera att eluttaget inte är dammigt.
- ❑ Se till att kontakten förs in helt i eluttaget.
- ❑ Hantera inte kontakten med våta händer.
- ❑ Dra ur sladden och kontakta en kvalificerad servicetekniker om följande inträffar:

A.	Om nätsladden eller kontakten är skadad eller utsliten.
B.	Om du spiller ut vätska i skrivaren.
C.	Om den har utsatts för regn eller vatten.
D.	Om den inte fungerar på normalt sätt när du följer användarinstruktionerna. Justera bara de kontroller som täcks av användarinstruktionerna, eftersom felaktig justering av kontroller kan orsaka skador och kräver oftast ett omfattande arbete av en kvalificerad servicetekniker för att återställa produkten till normal drift.
E.	Om du tappar skrivaren eller om höljet har skadats.
F.	Om en påtaglig förändring av prestanda sker är det ett tecken på att service behöver utföras.

- ❑ Dela inte uttag med andra apparater.
- ❑ Anslut all utrustning till jordade eluttag. Undvik att använda eluttag i samma krets som kopiatorer eller luftkonditioneringssystem som regelbundet slås av och på.
- ❑ Anslut skrivaren till ett eluttag som uppfyller strömkraven för den här skrivaren. Skrivarens strömkrav anges på en etikett som sitter på skrivaren. Om du inte är säker på specifikationerna för strömtillförsel i ditt område kontaktar du det lokala elbolaget eller rådfrågar återförsäljaren.

Viktiga instruktioner

- ❑ Om du använder en förlängningsladd, måste du se till att den totala märkströmmen för produkterna som är kopplade till förlängningsladdan inte överstiger sladdens märkström.
- ❑ När du ansluter denna produkt till en dator eller annan enhet med en kabel ser du till att kontakterna sitter rätt. Varje kontakt har endast en korrekt riktning. Om en kontakt sätts in i fel riktning kan båda enheterna som ansluts med hjälp av kabeln skadas.
- ❑ Använd endast tillvalsprodukter, som till exempel papperskassetter och skrivarställ, som producerats särskilt för denna produkt. Användning av tillval som producerats för andra produkter kan orsaka att produkten välter och skadar någon.

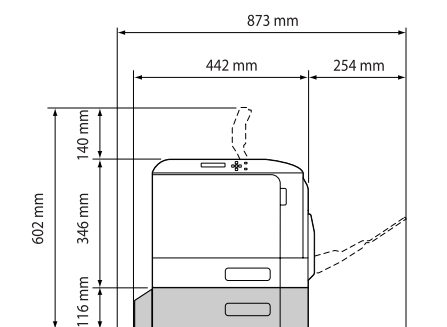
Skrivarens placering

När du flyttar skrivaren bör du alltid välja en plats där det finns tillräckligt med utrymme för att skrivaren lätt ska kunna användas och skötas. Följande bild kan fungera som riktlinje för hur mycket utrymme som krävs runt skrivaren för att säkerställa en enkel användning.

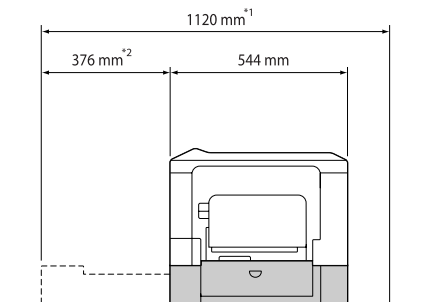
Anm:

Siffrorna är avrundade till närmaste decimal.

Sett framifrån



Sett från sidan



*1 1086 mm om den extra kassettenheten inte är installerad.

*2 342 mm om den extra kassettenheten inte är installerad.

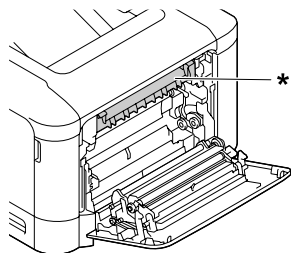
Förutom utrymmesaspekterna måste du också tänka på följande när du funderar på var du ska placera skrivaren:

- ❑ Placera skrivaren nära ett elektriskt uttag där du lätt kan sätta in och dra ut sladden.
- ❑ Sätt inte skrivaren på en plats där sladden kommer att trampas på.
- ❑ Använd inte skrivaren i en fuktig miljö.
- ❑ Undvik platser som utsätts för direkt solljus, hög värme, fukt, oljeångor och damm.
- ❑ Undvik platser som utsätts för luft som kommer direkt från ett luftkonditioneringsaggregat.
- ❑ Placera inte skrivaren på en ostadig yta.
- ❑ Fack och öppningar i höljet och på baksidan eller i botten är avsedda för ventilation. Se till att du inte blockerar eller täcker dem. Sätt inte skrivaren i en säng, soffa, på en matta eller liknande ytor eller i en inbyggd installation med dålig ventilation.
- ❑ Håll hela dator- och skrivarsystemet borta från potentiella störningskällor, som högtalare eller basenheter till sladdlösa telefoner.
- ❑ Lämna tillräckligt med plats runt skrivaren för god ventilation.

Viktiga instruktioner

Använda skrivaren

- ❑ Se till att inte vidröra fixeringsenheten, som är märkt med en varningsetikett, och undvik även att vidröra omgivande ytor. Om skrivaren har använts kan fixeringsenheten och omgivande ytor vara mycket varma. Om du måste röra något av dessa områden väntar du först i 40 minuter så att temperaturen sjunker.



* varningsetikett

- ❑ För inte in handen långt in i fixeringsenheten eftersom en del komponenter är vassa och kan orsaka skada.
- ❑ För inte in föremål i några öppningar eftersom de kan komma i kontakt med farliga strömförande eller kortslutande delar, vilket kan leda till risk för brand eller elektriska stötar.
- ❑ Sitt inte på eller luta dig mot skrivaren. Placera inte tunga föremål på skrivaren.
- ❑ Använd inte någon form av brännbara gaser i eller runt skrivaren.
- ❑ Använd inte överdriven kraft när du sätter skrivarens komponenter på plats. Även om skrivaren är utformad för att tåla mycket kan ovarsam hantering skada den.
- ❑ Låt inte papper som har fastnat sitta kvar i skrivaren. Det kan leda till att skrivaren överhettas.
- ❑ Se till att du inte spillar vätska av något slag på skrivaren.
- ❑ Justera endast de inställningar som tas upp i användarinstruktionerna. Felaktig justering av andra inställningar kan orsaka skador som kräver att reparationer utförs av en kvalificerad servicetekniker.

- ❑ Stäng inte av skrivaren:
 - Vänta tills Ready (KLAR) visas på LCD-skärmen när du har slagit på skrivaren.
 - Medan indikatorn Klar blinkar.
 - Medan indikatorn Data lyser eller blinkar.
 - När du skriver ut.
- ❑ Undvik att vidröra komponenterna inuti skrivaren om det inte står i den här handboken att du ska göra det.
- ❑ Följ alla varningsmeddelanden och instruktioner som anges på skrivaren.
- ❑ Försök aldrig underhålla produkten själv förutom på det sätt som beskrivs specifikt i skrivardokumentationen.
- ❑ Dra regelbundet ut kontakten ur eluttaget och rengör stiften.
- ❑ Dra inte ut kontakten när skrivaren är på.
- ❑ Dra ut kontakten ur eluttaget om skrivaren inte kommer att användas på en längre tid.
- ❑ Dra ur sladden innan du rengör skrivaren.
- ❑ Använd en väl urvriden trasa vid rengöring och använd inte rengöringsvätska eller -spray.

Hantering av förbrukningsartiklar och underhållsdelar

- ❑ Bränn inte använda förbrukningsartiklar eller underhållsdelar eftersom de kan explodera och orsaka personsador. Kassera dem enligt lokala föreskrifter.
- ❑ Var noga med att förvara förbrukningsartiklar och underhållsdelar utom räckhåll för barn.
- ❑ När du hanterar en tonerkassettska ska du alltid placera den på en ren och jämn yta.
- ❑ Försök aldrig att modifiera eller ta isär förbrukningsartiklar eller underhållsdelar.
- ❑ Vidrör inte tonern. Låt aldrig toner komma i kontakt med ögonen. Om du får toner på huden eller på kläderna ska du omedelbart tvätta bort den med tvål och vatten.

Viktiga instruktioner

- Torka upp utspilld toner med en sopborste och skyffel eller en trasa fuktad med tvål och vatten. Använd inte dammsugare eftersom de fina partiklarna kan orsaka brand eller explosion om de kommer i kontakt med en gnista.
- Vänta minst en timme innan du använder en tonerkassetten när du har flyttat den från en kall till en varm miljö för att förhindra skada genom kondens.
- För att uppnå bästa utskriftskvalitet ska du inte förvara tonerkassetten eller fotoledarenheten på en plats där den utsätts för direkt solljus, damm, salthaltig luft eller frätande gaser (t.ex. ammoniak). Undvik platser där temperaturen eller luftfuktigheten kan ändras snabbt.
- När du tar bort fotoledarenheten skall du inte utsätta den för solljus och du bör undvika att utsätta den för rumsbelysning i mer än tre minuter. fotoledarenheten innehåller en ljuskänslig trumma. Trumman kan skadas om den utsätts för ljus vilket gör att mörka eller ljusa områden syns på den utskrivna sidan och trummans livslängd förkortas. Om du måste förvara fotoledarenheten utanför skrivaren under en längre tid ska den täckas med en ogenomskinlig trasa.
- Var försiktig så att du inte repar ytan på trumman. När du tar bort fotoledarenheten ur skrivaren skall du alltid placera den på en ren, jämn yta. Undvik att vidröra trumman eftersom fett från huden kan skada ytan och påverka utskriftskvaliteten.
- Vidrör inte överföringsrullarna på överföringsenheterna för att undvika att skada dem.
- Låt inte papperskanter glida mot huden eftersom du kan skära dig på papperskanten.

Säkerhetsinformation

Lasersäkerhetsetiketter



Varning!

Om du utför procedurer eller justeringar andra än de som beskrivs i skrivarens dokumentation kan det leda till att du utsätts för skadlig strålning. Skrivaren är en laserprodukt klass 1 så som det definieras i IEC60825-specifikationerna. Etiketten liknande den som visas nedan är fäst på baksidan av skrivaren i länder där så krävs.



Intern laserstrålning

Det finns en laserdiod klass III b med en osynlig laserstråle inuti skrivarhuvudet. Enheten för skrivarhuvudet är INTE ETT SERVICEOBJEKT, därför får inte skrivarhuvudet öppnas under några omständigheter. Ännu en laservarningsetikett sitter inuti skrivaren.

Ozonsäkerhet

Ozonutsläpp

Ozongas genereras av laserskrivare som biprodukt under utskriftsprocessen. Ozon produceras bara när skrivaren skriver ut.

Ozonexponeringsgräns

Epson laserskrivaren genererar mindre än 3 mg/tim vid kontinuerlig utskrift.

Minska risken

För att minska risken för ozonexponering bör du undvika följande:

- Använda flera laserskrivare på en begränsad yta
- Användning vid extremt låg luftfuktighet
- Dålig ventilation
- Lång, kontinuerlig utskrift samtidigt som något av ovanstående

Skrivarplats

Skrivaren bör stå på en plats där utsläppsgaser och värmen som alstras:

- Inte blåser direkt i användarens ansikte

Viktiga instruktioner

- ❑ När som helst kan ventileras bort från byggnaden

Begränsningar för att göra kopior

Observera följande begränsningar för att använda skrivaren på ett ansvarsfullt och lagligt sätt.

Att göra kopior av följande artiklar är förbjudet enligt lag

- ❑ Sedlar, mynt, statspapper avsedda för den allmänna marknaden, statsobligationer samt kommunvärdepapper
- ❑ Oanvända frimärken, förfrankerade vykort och andra officiella postartiklar med giltigt porto
- ❑ Officiella kontramärken och värdepapper utfärdade enligt laglig procedur

Iakttag försiktighet när du gör kopior av följande artiklar

- ❑ Privata värdepapper avsedda för den allmänna marknaden (aktiebrev, överlåtbara värdepapper, checkar osv.), månadskort, rabattkuponger osv.
- ❑ Pass, körkort, hälsointyg, vägpasserkort, matransoneringskort, biljetter osv.

Ansvarsfullt bruk av upphovsrättsskyddat material

Skrivaren kan användas av misstag eller otillbörligt för att olagligt kopiera upphovsrättsskyddat material. Du måste agera ansvarsfullt när du kopierar upphovsrättsskyddat material; genom att erhålla tillstånd från upphovsrättsinnehavaren eller rådfråga en kunnig jurist.

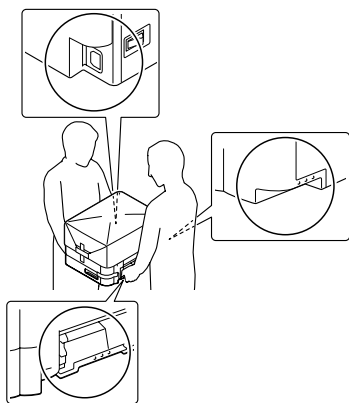
Důležité pokyny

Důležité pokyny

Důležité bezpečnostní pokyny

Nastavení tiskárny

- ❑ Protože tiskárna s nainstalovaným spotřebním materiálem má hmotnost přibližně 27,5 kg (60,6 lbs) (model N) nebo 28,3 kg (62,4 lbs) (model DN), nesmí ji zvedat ani nosit pouze jedna osoba. Tiskárnu musí nosit a zvedat na správných místech dvě osoby, viz obrázek níže.



- ❑ Při přemísťování udržujte tiskárnu vždy ve vodorovné poloze.
- ❑ Pokud zástrčku nelze zasunout do zásuvky, obraťte se na kvalifikovaného elektrikáře.
- ❑ Nepřipojujte ji k nepřerušitelnému zdroji napájení. V opačném případě může dojít k chybné činnosti či poškození.
- ❑ Ujistěte se, že napájecí kabel střídavého napětí splňuje příslušné místní bezpečnostní normy. Používejte pouze napájecí kabel dodávaný s tímto produktem. Použití jiného kabelu může způsobit požár nebo úraz elektrickým proudem. Napájecí kabel tohoto produktu je určen pouze pro použití s tímto produktem. Použití s jiným zařízením může způsobit požár nebo úraz elektrickým proudem.
- ❑ Pokud dojde k poškození zástrčky, vyměňte celý kabel nebo se informujte u kvalifikovaného elektrotechnika. Pokud jsou v zástrčce použity pojistky, vyměňte je vždy za pojistky správné velikosti a proudové hodnoty.

- ❑ Použijte uzemněnou zásuvku, která je určena pro zástrčku tiskárny. Nepoužívejte adaptér zástrčky.
- ❑ Nepoužívejte elektrické zásuvky ovládané nástěnnými spínači nebo automatickými vypínači. Náhodné přerušení napájení může vést ke ztrátě cenných dat uložených v paměti počítače a tiskárny.
- ❑ Na zástrčce nesmí být žádný prach.
- ❑ Zasuňte zástrčku zcela do elektrické zásuvky.
- ❑ Nemanipulujte se zástrčkou mokřkýma rukama.
- ❑ V následujících případech tiskárnu odpojte ze sítě a svěřte opravu kvalifikovanému servisnímu technikovi:

A.	Pokud je napájecí kabel jakkoli poškozený.
B.	Pokud se do tiskárny rozlila jakákoli tekutina.
C.	Pokud byla tiskárna vystavena dešti nebo se dostala do styku s vodou.
D.	Pokud tiskárna při dodržení provozních pokynů nepracuje správně. Nastavení provádějte pouze u ovládacích prvků popsaných v provozních pokynech, jelikož nesprávné nastavení dalších ovládacích prvků může produkt poškodit, a vyžádat tak rozsáhlou opravu provedenou kvalifikovaným servisním technikem.
E.	Pokud jste tiskárnu upustili nebo došlo k poškození její skříně.
F.	Pokud dojde k výrazné změně výkonu tiskárny, což naznačuje, že je třeba tiskárnu opravit.

- ❑ Nepoužívejte elektrickou zásuvku, ke které jsou připojena další zařízení.
- ❑ Veškeré zařízení připojte k řádně uzemněným zásuvkám. Vyhněte se použití zásuvek na okruhu spolu s fotokopírkami nebo systémy řízení klimatu, které se pravidelně zapínají a vypínají.
- ❑ Připojujte tiskárnu pouze k zásuvce, která splňuje požadavky této tiskárny. Požadavky tiskárny na zdroj napájení jsou uvedeny na štítku na tiskárně. Pokud si nejste jisti, jaké jsou charakteristiky zdrojů napájení ve vaší oblasti, obraťte se na místního dodavatele elektrické energie nebo na prodejce zařízení.

Důležité pokyny

- ❑ Pokud pro zapojení tiskárny používáte prodlužovací šňůru, zkontrolujte, zda příkon všech zařízení zapojených pomocí této šňůry (v ampérech) nepřekračuje kapacitu šňůry.
- ❑ Při připojování tohoto produktu k počítači či jinému zařízení pomocí kabelu dbejte na správnou orientaci konektorů. Každý konektor lze zapojit jen jedním způsobem. Pokud konektor připojíte s nesprávnou orientací, mohlo by dojít k poškození propojených zařízení.
- ❑ Používejte pouze volitelné výrobky, jako jsou zásobníky papíru a stojan tiskárny, určené výhradně pro tento produkt. Použití voleb určených pro jiné výrobky může způsobit přepadnutí produktu a zranění osob.

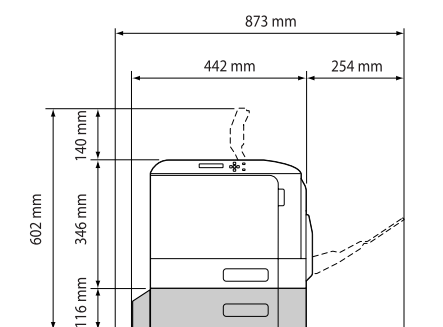
Umístění tiskárny

Pokud přemísťujete tiskárnu jinam, zvolte vždy takové místo, které poskytuje dostatek prostoru pro snadnou obsluhu a údržbu. Požadované množství volného místa v okolí tiskárny k zajištění bezproblémového provozu je znázorněno na následujícím obrázku.

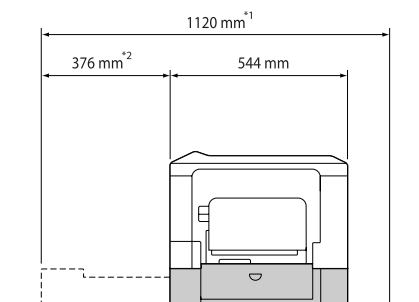
Poznámka:

Čísla jsou zaokrouhlena podle desetinného místa.

Čelní pohled



Boční pohled



*1 1086 mm, není-li nainstalována doplňková jednotka kazety.

*2 342 mm, není-li nainstalována doplňková jednotka kazety.

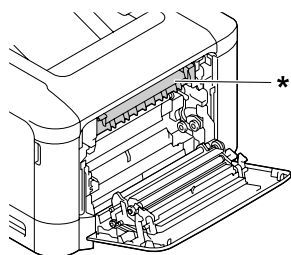
Kromě volného místa je třeba vzít v úvahu ještě následující pokyny:

- ❑ Umístěte tiskárnu v blízkosti elektrické zásuvky, ze které lze snadno odpojit napájecí šňůru.
- ❑ Neinstalujte tiskárnu v místech, kde by lidé šlapali na napájecí šňůru.
- ❑ Nepoužívejte tiskárnu ve vlhkém prostředí.
- ❑ Neumísťujte tiskárnu na přímé sluneční světlo ani do prostředí s nadměrnou teplotou, vlhkostí, olejovými výparry nebo prašností.
- ❑ Nedávejte tiskárnu na místa, která jsou vystavena výstupu vzduchu z klimatizace.
- ❑ Neumísťujte tiskárnu na nestabilní povrch.
- ❑ Otvory a štěrby ve skříni tiskárny a na její zadní a spodní straně slouží k větrání. Neblokujte je ani je nezakrývejte. Nepokládejte tiskárnu na postele, pohovky, koberce nebo podobné povrchy ani do vestavných skříní, pokud zde není zajištěno řádné větrání.
- ❑ Umísťujte počítač a tiskárnu mimo dosah potenciálních zdrojů elektromagnetického rušení, jako jsou reproduktory nebo základny bezšňůrových telefonů.
- ❑ Ponechejte kolem tiskárny dostatek prostoru, aby bylo zajištěno její dostatečné větrání.

Důležité pokyny

Používání tiskárny

- ❑ Nedotýkejte se fixační jednotky, která je označena varovným štítkem, ani okolních součástí. Pokud byla tiskárna právě používána, může být okolí fixační jednotky velmi horké. V případě nutného přístupu k těmto oblastem počkejte 40 minut na vychladnutí horkých součástí a pak pokračujte.



* varovný štítek

- ❑ Nesahejte na fixační jednotku, protože některé součástky jsou ostré a mohly by způsobit poranění.
- ❑ Nikdy do otvorů ve skříni tiskárny nestrkejte žádné předměty, jelikož se mohou dostat do kontaktu se součástmi pod nebezpečným napětím nebo je zkratovat a způsobit požár nebo úraz elektrickým proudem.
- ❑ Na tiskárnu nesedějte ani se o ni neopírejte. Na tiskárnu nepokládejte těžké předměty.
- ❑ Nepoužívejte žádné hořlavé plyny v tiskárně nebo kolem ní.
- ❑ Nikdy součásti tiskárny nevracejte na původní místo silou. Ačkoli je tiskárna odolná, nesprávným zacházením ji můžete poškodit.
- ❑ Nenechávejte v tiskárně uvíznutý papír. Může způsobit přehřátí tiskárny.
- ❑ Nerozlévejte na tiskárnu žádné tekutiny.
- ❑ Nastavujte pouze ty ovládací prvky, které jsou popsány v provozních pokynech. Nesprávné nastavení dalších ovládacích prvků může způsobit poškození tiskárny a může vyžadovat opravu kvalifikovaným servisním pracovníkem.

- ❑ Nevypínejte tiskárnu v následujících situacích:
 - Po zapnutí tiskárny počkejte, dokud se na LCD-panelu nezobrazí **Ready**.
 - Pokud bliká indikátor **Připraveno**.
 - Pokud svítí nebo bliká indikátor **Data**.
 - Během tisku.
- ❑ Nedotýkejte se vnitřních součástí tiskárny, pokud to není uvedeno v pokynech v této příručce.
- ❑ Dodržujte veškerá upozornění a pokyny vyznačené na tiskárně.
- ❑ Kromě konkrétních situací popsaných v dokumentaci k tiskárně se nepokoušejte sami provádět servis tohoto produktu.
- ❑ Pravidelně odpojte zástrčku z elektrické zásuvky a očistěte kolíky.
- ❑ Neodpojujte zástrčku, když je tiskárna zapnutá.
- ❑ Nebude-li tiskárna delší dobu používána, odpojte zástrčku z elektrické zásuvky.
- ❑ Před čištěním tiskárnu odpojte ze zásuvky.
- ❑ K čištění použijte tkanou látku, nepoužívejte tekuté čisticí prostředky ani spreje.

Zacházení se spotřebním materiálem a částmi vyžadujícími údržbu

- ❑ Použitý spotřební materiál ani části vyžadující údržbu nepalte, protože by mohly vybuchnout a někoho zranit. Likvidujte jej v souladu s místními předpisy.
- ❑ Spotřební materiál a části vyžadující údržbu skladujte mimo dosah dětí.
- ❑ Tonerovou kazetu vždy pokládejte na čistý, hladký povrch.
- ❑ Nepokoušejte se upravovat či rozebírat spotřební materiál ani části vyžadující údržbu.
- ❑ Nedotýkejte se toneru. Vždy zabraňte vniknutí toneru do očí. Pokud se toner dostane na kůži nebo oblečení, znečištěné místo ihned umyjte mýdlem a vodou.

Důležité pokyny

- ❑ Pokud toner rozsypete, smetěte jej smetáčkem na lopatku nebo jej otřete látkou navlhčenou v mýdlové vodě. Jelikož jemné částičky mohou při kontaktu s jiskrou způsobit požár nebo výbuch, nepoužívejte vysavač.
- ❑ Pokud jste tonerovou kazetu přenesli z chladného do teplého prostředí, počkejte před instalací alespoň jednu hodinu, aby nedošlo k jejímu poškození způsobenému kondenzací.
- ❑ Chcete-li dosáhnout maximální kvality tisku, neskladujte tonerovou kazetu ani fotonosič v místech vystavených přímému slunečnímu světlu, prachu, slanému vzduchu nebo korozivním plynům (např. čpavku). Vyhněte se také místům s velkými nebo rychlými změnami teploty či vlhkosti.
- ❑ Při vyjímání fotonosiče ho nevystavujte slunečnímu svitu a vyhněte se jeho vystavení osvětlení v místnosti na více než tři minuty. Fotonosič obsahuje optický válec. Vystavení světlu může válec poškodit, způsobit objevení tmavých nebo světlých oblastí na vytištěné stránce a snížení životnosti válce. Pokud potřebujete fotonosič ponechat mimo tiskárnu po delší dobu, zakryjte ho neprůsvitnou tkaninou.
- ❑ Dbejte na to, abyste nepoškrábali povrch válce. Při vyjmutí z tiskárny položte fotonosič vždy na čistý, hladký povrch. Nedotýkejte se válce, protože mastná kůže může způsobit trvalé poškození jeho povrchu a tím nepříznivě ovlivnit kvalitu tisku.
- ❑ Nedotýkejte se přenosových válců v přenosových jednotkách, aby nedošlo k jejich poškození.
- ❑ Okraje papíru jsou ostré a mohou způsobit zranění pořezáním.

Bezpečnostní informace

Bezpečnostní štítky týkající se laseru



Varování:

Provedení postupů a nastavení, vyjma těch popsanych v dokumentaci k tiskárně, může způsobit vystavení nebezpečnému záření. Vaše tiskárna je laserový produkt Třídy 1, jak je definován parametry IEC60825. Štítek podobný tomu znázorněnému níže je připevněn na zadní straně tiskárny v zemích, kde je vyžadován.



Vnitřní záření laseru

Použitá dioda je laserová dioda třídy III b, která uvnitř tiskové hlavy produkuje neviditelný laserový paprsek. Hlavu tiskárny NELZE OPRAVOVAT, proto by neměla být za žádných okolností otevírána. Uvnitř tiskárny je připevněn další štítek s varováním před laserem.

Bezpečnost v souvislosti s ozónem

Ozónové emise

Ozón je laserovou tiskárnou vytvářen jako vedlejší produkt při tisku. Ozón se vytváří jen v průběhu tisku.

Limitní dávky ozónu

Laserová tiskárna Epson generuje méně než 3 mg/h nepřetržitého tisku.

Minimalizace rizika

Pokud chcete riziko vystavení se ozónu minimalizovat, vyhněte se následujícím situacím:

Důležité pokyny

- Použití několika laserových tiskáren v uzavřené místnosti.
- Provoz tiskárny při extrémně nízké vlhkosti vzduchu.
- Špatné větrání místnosti.
- Dlouhý nepřetržitý tisk ve výše uvedených situacích.

Umístění tiskárny

Tiskárna by měla být umístěna takto:

- Zplodiny a teplo by neměly být odváděny směrem přímo k uživateli.
- Měly by být odváděny pokud možno mimo budovu.

Omezení při tvorbě kopií

Pro zajištění odpovědného a legálního použití této tiskárny dodržujte následující omezení.

Tvorba kopií následujících položek je zakázána zákonem

- Bankovky, mince, státem vydané obchodovatelné cenné papíry, státní dluhopisy a komunální cenné papíry
- Nepoužité poštovní známky, pohlednice s předplaceným poštovním a jiné poštovní položky s platným poštovním
- Státem vydané kolkové známky a cenné papíry vydané v souladu s právním postupem

Při tvorbě kopií následujících položek buďte opatrní

- Privátní obchodovatelné cenné papíry (akciové certifikáty, převoditelné úpisy, šeky atd.), měsíční/roční lístky, povolenky atd.
- Cestovní pasy, řidičské průkazy, technické průkazy, dálniční známky, stravenky, jízdenky atd.

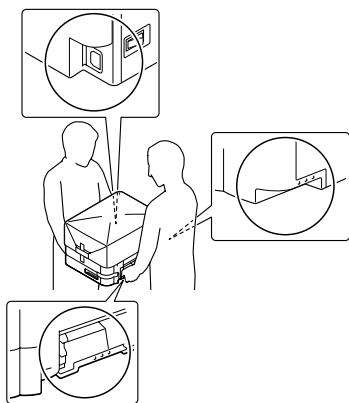
Odpovědné použití materiálů chráněných autorským právem

Mylným či nesprávným kopírováním materiálů chráněných autorskými právy může dojít ke zneužití tiskárny. Před kopírováním materiálů chráněných autorskými právy respektujte vlastníka autorských práv tím, že požádáte o jeho svolení nebo o radu zkušeného právníka.

Fontos utasítások

Fontos utasítások**Fontos biztonsági előírások****A nyomtató üzembe helyezése**

- ❑ A nyomtató súlya a behelyezett fogyóeszközökkel együtt körülbelül 27,5 kg (60,6 font) az N modell, illetve 28,3 kg (62,4 font) a DN modell esetében, ezért egy személy ne emelje vagy szállítsa. A nyomtatót két embernek célszerű vinni az ábrán látható helyeken megfogva.



- ❑ A nyomtatót mozgás közben mindig függőlegesen tartsák.
- ❑ Ha a tápkábel csatlakozóját nem tudja bedugni a konnektorba, forduljon villanszerelőhöz.
- ❑ Ne csatlakoztassa megszakításmentes tápegységhez. Ha ilyenhez csatlakoztatja, az hibás működéshez vagy károkhoz vezethet.
- ❑ Ügyeljen arra, hogy az erősáramú kábel megfeleljen a releváns helyi biztonsági előírásoknak. Csak a termékhez kapott erősáramú kábelt használja. Más kábel használata áramütést okozhat és tűzveszélyes. A termék erősáramú kábele csak ezzel a termékkel használható. Ha más készülékhez használják, tűz keletkezhet, vagy áramütést okozhat.
- ❑ Ha a dugó megsérül, cserélje ki a vezetékészletet, vagy forduljon képzett villanszerelőhöz. Ha biztosítékok vannak a dugóban, feltétlenül cserélje ki azokat a megfelelő méretűekre és paraméterűekre.

- ❑ A nyomtató dugaszához illő földelt konnektort használjon. Ne használjon dugó-átalakítót.
- ❑ Ne használjon fali kapcsolóról vagy automatikus időzítőről vezérelt konnektorokat. Az áramellátás véletlen megszakítása azt eredményezheti, hogy értékes információk vesznek el a számítógép és a nyomtató memóriájából.
- ❑ Győződjön meg arról, hogy nincs por a nyílásban.
- ❑ Ellenőrizze, hogy a csatlakozó megfelelően illeszkedjen a konnektorba.
- ❑ Ne érjen nedves kézzel a villásdugóhoz.
- ❑ Ha a következő helyzetek bármelyike előállna, húzza ki a nyomtatót a konnektorból, majd forduljon hozzáértő szakemberhez:

A.	Ha a tápkábel vagy a csatlakozó megsérült vagy elkopott.
B.	Ha folyadék került a készülékbe.
C.	Ha a készüléket eső vagy víz érte.
D.	Ha a készülék a használati útmutató előírásainak betartása esetén nem működik rendeltetésszerűen. Ne módosítsa olyan kezeleszervek beállításait, amelyeket a használati útmutatók nem ismertetnek, mivel ennek hatására a készülék megsérülhet, vagy előfordulhat, hogy egy hozzáértő szakember is csak kemény munka árán tudja visszaállítani a készülék rendeltetésszerű működését.
E.	Ha a készülék leesett, vagy megsérült a burkolata.
F.	Ha a készülék teljesítménye lényegesen megváltozott, és emiatt javításra szorul.

- ❑ Ha lehet, ne csatlakoztasson más készülékeket ahhoz a konnektorhoz, amelyről a nyomtatót használja.
- ❑ Az eszközöket megfelelően földelt fali csatlakozóaljzatba dugja. Ne használjon olyan konnektort, amely gyakran ki- és bekapcsolódó készülékekkel (például fénymásolókkal vagy légkondicionáló rendszerekkel) azonos áramkörön van.

Fontos utasítások

- ❑ Olyan konnektorhoz csatlakoztassa a nyomtatót, amely megfelel az elektromos követelményeknek. A nyomtató elektromos követelményei a készülékre ragasztott címkén olvashatók. Ha nem tudja pontosan, hogy milyen hálózati feszültség érhető el, további információért forduljon a helyi áramszolgáltató vállalathoz vagy a készülék eladóójához.
- ❑ Ha hosszabbító kábelt használ, ügyeljen rá, hogy a csatlakoztatott berendezések amperben mért összes áramfelvétele ne haladja meg a hosszabbító vezeték engedélyezett áramerősségét.
- ❑ Ha a terméket számítógéphez vagy más, kábellel rendelkező eszközhöz csatlakoztatja, ügyeljen a csatlakozók helyes irányára. Minden csatlakozó csak egyféleképpen dugható be helyesen. Ha egy csatlakozót rossz irányban dug be, a kábellel összekötött mindkét eszköz megsérülhet.
- ❑ Csak kifejezetten e termékhez gyártott papírkazettákat, nyomtatóállványt és hasonló kiegészítőket használjon. Ha más termékhez gyártott kiegészítőket használ, a termék leeshet, és sérülést okozhat.

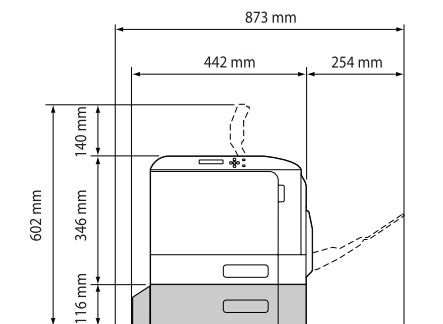
A nyomtató elhelyezése

Ha máshova teszi a nyomtatót, olyan helyet válasszon, amelyen elég hely áll rendelkezésre a nyomtató üzemeltetéséhez és karbantartásához. A következő ábra segítséget nyújt a nyomtató zavartalan működtetéséhez szükséges hely megállapításához.

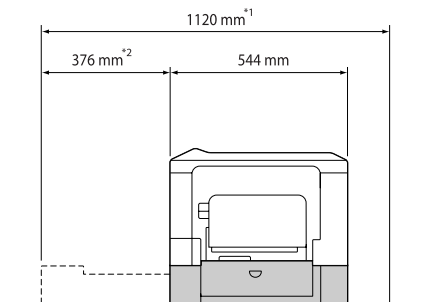
Megjegyzés:

A számok a legközelebbi tizedes jegyre vannak kerekítve.

Előlnézet



Oldalnézet



*1 1086 mm, ha az opcionális kazettaegység nincs felszerelve.

*2 342 mm, ha az opcionális kazettaegység nincs felszerelve.

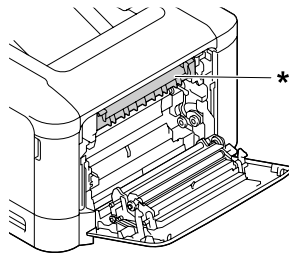
A helyre vonatkozóan kívül a következő biztonsági szempontokra is fordítson figyelmet a nyomtató helyének kiválasztásakor:

- ❑ A nyomtatót helyezze fali konnektor közelébe, hogy a tápkábelt egyszerűen csatlakoztathassa és kihúzhassa.
- ❑ Ne tegye a nyomtatót olyan helyre, ahol a tápkábelre rálephetnek.
- ❑ Ne használja a nyomtatót nedves környezetben.
- ❑ Kerülje az olyan helyeket, amelyek erős napsugárzásnak, magas hőmérsékletnek, nagy páratartalomnak, olajpermetnek vagy pornak vannak kitéve.
- ❑ Kerülje az olyan helyeket, amelyek közvetlenül klímaberendezésből áradó levegőnek vannak kitéve.
- ❑ Ne tegye a nyomtatót instabil felületre.
- ❑ A készülék alján és hátulján lévő nyílások szellőzésre szolgálnak. Ne fedje el azokat. Ne tegye a nyomtatót ágyra, kanapéra, plédre vagy ahhoz hasonló felületre, sem zárt helyre, kivéve, ha a megfelelő légáramlás biztosított.
- ❑ A számítógépet és a nyomtatót is tartsa távol olyan készülékektől, amelyek interferenciát okozhatnak (például hangsugárzóktól és a vezeték nélküli telefonok központi egységétől).
- ❑ A nyomtató körül hagyjon elegendő helyet a megfelelő szellőzéshez.

Fontos utasítások

A nyomtató használata

- ❑ Vigyázzon, nehogy hozzáérjen a beégetőműhöz, amelyen a figyelmeztető címke látható. A beégetőmű környékén is legyen óvatos. A nyomtató használata közben a beégetőmű és a környező részek felforrósodhatnak. Ha mindenképpen meg kell érintenie ezeket a részeket, várjon 40 percet, hogy a készülék lehűljön.



* figyelmeztető címke

- ❑ Ne nyúljon bele a beégetőműbe, mert annak egyes részei élesek, és sérülést okozhatnak.
- ❑ A készülék nyílásain keresztül ne toljon be semmilyen tárgyat, mivel veszélyes feszültségű ponthoz érhet hozzá, vagy rövidre zárhat olyan alkatrészeket, amelyek tüzet vagy áramütést okozhatnak.
- ❑ Ne üljön a nyomtatóra és ne is dőljön a nyomtatónak. Ne helyezzen nehéz tárgyakat a nyomtatóra.
- ❑ Ne használjon gyúlékony gázokat a nyomtató környezetében.
- ❑ Ne próbálja meg a nyomtató alkatrészeit erővel a helyükre illeszteni. A nyomtató alapvetően ellenáll a mechanikai hatásoknak, de a durva kezelés kárt okozhat benne.
- ❑ A begyűródött papírlapokat ne hagyja a nyomtató belsejében. Ez a nyomtató túlmelegedéséhez vezethet.
- ❑ Ne öntsön semmilyen folyadékot a nyomtatóba.
- ❑ Ne módosítsa olyan kezelőszervek beállításait, amelyeket a használati útmutatók nem ismertetnek. Ellenkező esetben a készülék megsérülhet, vagy előfordulhat, hogy csak hozzáértő szakember segítségével javítható meg.

- ❑ Ne kapcsolja ki a nyomtatót a következő esetekben:
 - A nyomtató bekapcsolása után várjon, amíg a **Ready** felirat megjelenik az LCD panelen.
 - Amíg a Kész jelzőfény villog.
 - Amíg a Data jelzőfény világít vagy villog.
 - Nyomtatás közben.
- ❑ Ne nyúljon hozzá a nyomtató belsejében lévő alkatrészekhez, kivéve, ha a kézikönyv erre utasítja.
- ❑ Tartson be a nyomtatón feltüntetett minden figyelmeztetést és előírást.
- ❑ A nyomtató dokumentációjában ismertetett eseteket kivéve ne próbálkozzon a készülék megjavításával.
- ❑ Rendszeresen húzza ki a csatlakozót a fali aljzatból és tisztítsa meg az érintkezőket.
- ❑ Ne húzza ki a csatlakozót, ha a nyomtató egyéb műveletet végez.
- ❑ Ha a készüléket hosszabb ideig nem szándékozik használni, akkor húzza ki a csatlakozót a fali aljzatból.
- ❑ Tisztítás előtt húzza ki a nyomtatót a fali konnektorból.
- ❑ A tisztításhoz használt ruhát jól csavarja ki. Ne használjon folyékony vagy aeroszolos tisztítókat.

A fogyóeszközök és karbantartási alkatrészek kezelése

- ❑ Ne égesse el a használt fogyóeszközöket vagy karbantartási alkatrészeket, mert azok felrobbanhatnak, és így balesetet okozhatnak. Ezekről az alkatrészekről a helyi előírásoknak megfelelően szabaduljon meg.
- ❑ A fogyóeszközöket és a karbantartási alkatrészeket gyermekek számára nem elérhető helyen tárolja.
- ❑ Ha festékkazettákkal dolgozik, mindig tiszta, egyenes felületre helyezze őket.
- ❑ Ne kísérelje meg a fogyóeszközöket vagy a karbantartási alkatrészeket módosítani vagy szétszedni.

Fontos utasítások

- ❑ Ne érjen a festékhez. Mindig ügyeljen rá, hogy ne kerüljön festék a szemébe. Ha festék kerül a bőrére vagy a ruhájára, szappannal és vízzel azonnal mossa le.
- ❑ Ha kiszóródik a festék, söpörje fel, vagy nedves ruhával és szappanos vízzel törölje fel. Ne használjon porszívót, mert az apró részecskék szikrával érintkezve tüzet foghatnak vagy felrobbanhatnak.
- ❑ Ha hideg környezetből melegebbe visz be egy festékkazettát, a páralecsapódásból származó károsodás elkerülése érdekében várjon legalább egy órát, mielőtt behelyezné a nyomtatóba.
- ❑ A lehető legjobb nyomtatási minőség érdekében a festékkazettát vagy a fotokonduktor egységet ne tárolja olyan területen, ahol az közvetlen napfény, por, sós levegő vagy korrodáló gázok (például ammónia) hatásának van kitéve. Az olyan helyeket is kerülje, ahol nagymértékben vagy hirtelen változhat a hőmérséklet és a páratartalom.
- ❑ A fotokonduktor egység eltávolítása során napfény hatásának egyáltalán ne, a helyiség megvilágításának is legfeljebb csak három percnyi ideig tegye ki. A fotokonduktor egység fényérzékeny dobot tartalmaz. Ha ezt fény éri, károsodhat, ami azt eredményezi, hogy a nyomatokon sötét vagy világos területek jelennek meg, és csökken a dob használhatóságának időtartama. Ha a fotokonduktor egységet hosszabb időre ki kell vennie a nyomtatóból, takarja le nem áttetsző takaróval.
- ❑ Ügyeljen rá, hogy ne karcolja meg a dob felszínét. Ha kiveszi a nyomtatóból a fotokonduktor egységet, mindig tiszta, egyenletes felületre helyezze. Ne érjen a dobhoz, mert a bőrről rákerülő zsír maradandó kárt tehet a dobban, ami rontja a nyomtatás minőségét.
- ❑ Ne érintse meg a továbbítóegységeken lévő továbbítóörgöket, nehogy megsérüljenek.
- ❑ Ügyeljen a papírlapok kezelésekor, nehogy a papírszélek megvágják a bőrét.

Biztonsági tudnivalók

Lézervesélyre figyelmeztető címkék


Vigyázat!:

A nyomtató dokumentációjában szereplő eljárásoktól és módosításoktól eltérő eljárások és módosítások végrehajtása veszélyes sugárzást eredményezhet. Ez a nyomtató 1. osztályú lézertermék, az IEC60825 specifikációkban szereplő meghatározások szerint. A ábrán láthatóhoz hasonló címke azokban az országokban szerepel a nyomtató hátlapján, ahol ezt megkövetelik.



Belső lézersugárzás

A nyomtatófejen láthatatlan lézersugarat kibocsátó Class III b lézertípus található. A nyomtató fejege NEM IGÉNYEL KARBANTARTÁST, emiatt azt semmilyen körülmények között sem szabad felnyitni. A nyomtató belsejében el van helyezve egy, a lézervesélyre vonatkozó további figyelmeztető címke.

Az ózontermeléssel kapcsolatok biztonsági tudnivalók

Ózonkibocsátás

A lézernyomtatók a nyomtatási folyamat melléktermékeként ózongázt fejlesztenek. Csak nyomtatás közben termelődik ózon.

Megengedett ózonszint

Az Epson lézernyomtató kevesebb mint 3 mg/h mennyiséget termel folyamatos nyomtatás közben.

Fontos utasítások

A kockázat minimalizálása

Az ózonszvény minimalizálása érdekében tartsa be az alábbiakat:

- Ne használjon több lézernyomatót zárt térben.
- Ne használja a nyomtatót nagyon kis páratartalmú helyiségben.
- Ne használja a nyomtatót rossz szellőzésű helyiségben.
- Ha a fentiek bármelyike fennáll, ne nyomtasson egyszerre sokat.

A nyomtató elhelyezése

A nyomtatót úgy kell elhelyezni, hogy a kibocsátott gázok és a termelt hő:

- Ne közvetlenül a felhasználó arcába áramoljanak.
- Ha csak lehetséges, azonnal elhagyják az épületet.

Másolatok készítésére vonatkozó korlátozások

Tartsa be az alábbi korlátozásokat, hogy biztosítsa a nyomtató felelősségteljes és törvényes használatát.

Az alábbi tételek másolását tiltja a törvény

- Bankjegyek, érmék, állami piacképes értékpapírok, államkötvények és önkormányzati kötvények
- Nem kezelt postabélyegek, előbélyezett postabélyegek és postaköltséget fedező egyéb érvényes hivatalos postai okmányok
- Állami adóbélyegek és jogi eljárásnak megfelelően kiadott értékpapírok

Járjon el körültekintően az alábbi tételek másolásakor

- Magánjellegű piacképes értékpapírok (részvényjegyek, forgalomképes értékpapírok, csekkek stb.), havi bérletek, személyzeti jegyek stb.
- Útlevelek, jogosítványok, forgalmi engedélyek, úti okmányok, élelmiszerjegyek, jegyek stb.

Másolt anyagok felelősségteljes használata

A nyomtató tévedésből vagy illetéktelenül jogvédett anyagok törvénytelen másolására is használható.

Jogvédett anyagok másolásakor felelősségteljesen kell eljárnia, szerezze be a szerzői jogok tulajdonosának az engedélyét, vagy járjon el egy jól tájékozott jogász tanácsainak megfelelően.

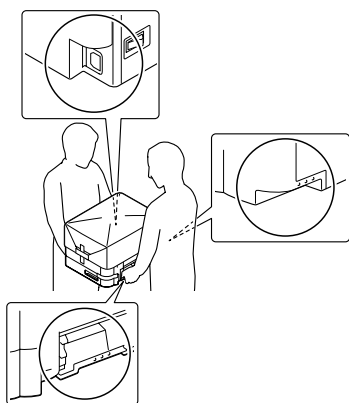
Ważna instrukcja

Ważna instrukcja

Ważne instrukcje dotyczące bezpieczeństwa

Instalowanie drukarki

- ❑ Ponieważ drukarka waży ok. 27,5 kg (model N) lub 28,3 kg (model DN) z zainstalowanymi materiałami eksploatacyjnymi, nie powinna być podnoszona ani przenoszona przez jedną osobę. Drukarkę powinny przenosić dwie osoby, podnosząc ją w odpowiedni sposób jak pokazano poniżej.



- ❑ Drukarkę należy przenosić w pozycji poziomej.
- ❑ Jeśli nie można włożyć wtyczki prądu zmiennego do gniazda elektrycznego, należy skontaktować się z elektrykiem.
- ❑ Nie podłączać do zasilaczy awaryjnych (UPS). Może to spowodować nieprawidłowe działanie lub uszkodzenie.
- ❑ Należy używać tylko przewodu zasilania prądem zmiennym zgodnego z odpowiednimi lokalnymi normami bezpieczeństwa. Należy używać wyłącznie przewodu zasilania dostarczonego z tą drukarką. Użycie innego przewodu może spowodować pożar lub porażenie prądem. Przewód zasilania drukarki przeznaczony jest wyłącznie do użytku z tą drukarką. Zastosowanie przewodu z innymi urządzeniami może spowodować pożar lub porażenie prądem.

- ❑ W przypadku uszkodzenia wtyczki należy wymienić przewód lub zwrócić się do wykwalifikowanego elektryka. Jeżeli we wtyczce znajdują się bezpieczniki, upewnij się, że wymieniasz je na bezpieczniki o właściwych rozmiarach i danych znamionowych.
- ❑ Należy korzystać z uziemionego gniazda zgodnego z wtyczką kabla zasilania drukarki. Nie należy stosować żadnych przejściówek.
- ❑ Należy unikać korzystania z gniazd elektrycznych sterowanych przez wyłączniki ściennie lub automatyczne wyłączniki czasowe. Przypadkowa przerwa w zasilaniu może spowodować usunięcie ważnych danych z pamięci komputera i drukarki.
- ❑ Należy sprawdzić, czy gniazdo nie jest pokryte kurzem.
- ❑ Należy pamiętać, aby wtyczkę wcisnąć do gniazda do końca.
- ❑ Nie należy dotykać wtyczki wilgotnymi dłońmi.
- ❑ Należy odłączyć drukarkę z gniazda elektrycznego i zlecić naprawę wykwalifikowanemu przedstawicielowi serwisu w następujących przypadkach:

A.	Gdy przewód zasilania lub wtyczka są uszkodzone lub postrzępione.
B.	Jeżeli do wnętrza drukarki dostał się płyn.
C.	Jeżeli drukarka została wystawiona na działanie deszczu lub wody.
D.	Jeżeli drukarka nie działa prawidłowo pomimo przestrzegania zaleceń podanych w instrukcji obsługi. Należy używać tylko regulatorów opisanych w instrukcjach obsługi, ponieważ niewłaściwie użycie innych regulatorów może spowodować uszkodzenie wymagające dużego nakładu pracy wykwalifikowanego technika w celu przywrócenia sprawności drukarki.
E.	Jeżeli drukarka została upuszczona lub obudowa została uszkodzona.
F.	Jeżeli zauważalne są wyraźne zmiany w pracy drukarki, wskazujące na konieczność naprawy.

- ❑ Nie należy podłączać drukarki do gniazda, do którego podłączono inne urządzenia.

Ważna instrukcja

- ❑ Urządzenie należy podłączyć do prawidłowo uziemionego gniazda zasilania. Unikać podłączania do gniazd w tym samym obwodzie, co kserokopiarki lub układy klimatyzacji, które systematycznie włączają się i wyłączają.
- ❑ Drukarkę należy podłączyć do gniazda elektrycznego spełniającego wymagania dotyczące zasilania tej drukarki. Wymagania dotyczące zasilania drukarki są przedstawione na etykiecie dołączonej do drukarki. W przypadku braku pewności co do parametrów zasilania w obszarze, w którym będzie używana drukarka, należy skontaktować się z lokalnym zakładem elektrycznym lub skonsultować się ze sprzedawcą.
- ❑ W przypadku zastosowania przedłużacza należy upewnić się, że suma znamionowego natężenia urządzeń podłączonych do przedłużacza nie przekracza znamionowego natężenia przedłużacza.
- ❑ Podczas podłączania drukarki do komputera lub innego urządzenia za pomocą kabla należy upewnić się, że położenie złącza jest prawidłowe. Każde złącze ma tylko jedno prawidłowe położenie. Włożenie złącza w nieprawidłowym położeniu może uszkodzić oba urządzenia połączone kablem.
- ❑ Należy korzystać wyłącznie z wyposażenia opcjonalnego, takiego jak kasety na papier czy stojaki do drukarki, wyprodukowanego specjalnie dla tego urządzenia. W przypadku użycia wyposażenia opcjonalnego przeznaczonego dla innych produktów urządzenie może spaść na ziemię i spowodować obrażenia.

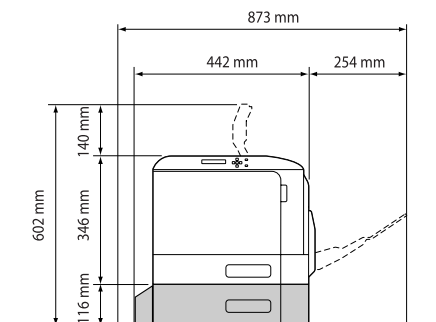
Wybór miejsca na drukarkę

Zmieniając miejsce położenia drukarki, należy wybrać miejsce zapewniające odpowiednią przestrzeń, aby umożliwić łatwą obsługę i konserwację urządzenia. Poniższa ilustracja przedstawia przestrzeń wokół drukarki wymaganą do zapewnienia wygodnej obsługi.

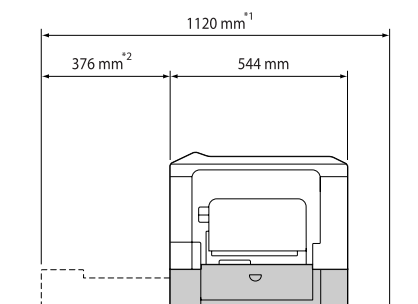
Uwaga:

Wartości zaokrąglone do najbliższego ułamka dziesiątego.

Widok z przodu



Widok z boku



*1 1086 mm jeśli nie zainstalowano opcjonalnego modułu kasety.

*2 342 mm jeśli nie zainstalowano opcjonalnego modułu kasety.

Poza uwzględnieniem zajmowanego miejsca, podczas poszukiwania miejsca na ustawienie drukarki zawsze należy wziąć pod uwagę poniższe środki bezpieczeństwa:

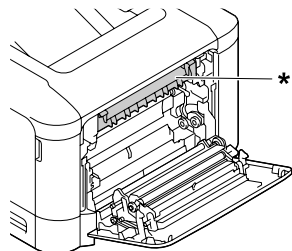
- ❑ Drukarkę należy umieścić w pobliżu gniazda elektrycznego, do którego łatwo można podłączyć i odłączyć przewód zasilania.
- ❑ Nie należy umieszczać drukarki w miejscu, w którym jest możliwe nadepnięcie przewodu zasilania.
- ❑ Nie należy korzystać z drukarki w wilgotnym otoczeniu.
- ❑ Należy unikać lokalizacji, w których drukarka byłaby narażona na działanie bezpośredniego światła słonecznego, wysokich temperatur, wilgoci, par oleju lub kurzu.
- ❑ Nie stawiać w miejscach wystawionych na bezpośrednie działanie powietrza z klimatyzatora.
- ❑ Nie należy umieszczać drukarki na niestabilnej powierzchni.

Ważna instrukcja

- ❑ Szczeliny i otwory w obudowie, z tyłu lub na spodzie drukarki służą do wentylacji. Nie należy ich blokować ani zakrywać. Nie należy umieszczać drukarki na łóżku, kanapie, dywanie lub innej podobnej powierzchni lub wewnątrz zabudowanej konstrukcji, jeżeli nie zapewniono prawidłowej wentylacji.
- ❑ Drukarka i komputer powinny znajdować się z daleka od potencjalnych źródeł zakłóceń, takich jak głośniki czy baza telefonu bezprzewodowego.
- ❑ Dookoła drukarki należy pozostawić odpowiednią ilość miejsca, aby umożliwić prawidłową wentylację.

Użytkowanie drukarki

- ❑ Nie należy dotykać modułu utrwalacza oznaczonego etykietą ostrzegawczą, ani otaczających go obszarów. Jeśli drukarka była niedawno używana, moduł utrwalacza i otaczające go obszary mogą być bardzo gorące. Jeżeli konieczne jest dotknięcie jednego z tych obszarów, należy odczekać 40 minut, aż temperatura obniży się.



* etykieta ostrzegawcza

- ❑ Ponieważ moduł utrwalacza zawiera ostre elementy, które mogą spowodować zranienie, nie należy wkładać do niego rąk.
- ❑ Nie należy wkładać żadnych przedmiotów przez szczeliny obudowy, ponieważ mogłyby to spowodować dotknięcie miejsc pod napięciem lub zwarcie elementów, co może spowodować pożar lub porażenie prądem.
- ❑ Nie należy siadać na drukarce ani opierać się o nią. Nie należy kłaść na drukarce ciężkich przedmiotów.
- ❑ W pobliżu drukarki nie używać żadnych gazów palnych.

- ❑ Nigdy nie należy używać siły podczas instalowania elementów drukarki. Chociaż drukarka została zaprojektowana tak, aby zapewnić jej wytrzymałość, obsługiwanie jej na siłę może doprowadzić do uszkodzenia.
- ❑ Wewnątrz drukarki nie należy pozostawiać zakleszczonego papieru. Może to spowodować przegrzanie drukarki.
- ❑ Nigdy nie należy dopuszczać, aby do drukarki dostał się jakikolwiek płyn.
- ❑ Należy używać tylko regulatorów opisanych w instrukcjach obsługi. Niewłaściwe użycie innych regulatorów może spowodować uszkodzenie wymagające naprawy przez wykwalifikowanego przedstawiciela serwisu.
- ❑ Drukarki nie należy wyłączać:
 - Po włączeniu drukarki odczekać do czasu, gdy **Ready** wyświetlone zostanie na panelu LCD.
 - Gdy miga lampka **Gotowość**.
 - Gdy świeci lub miga lampka **Data**.
 - Podczas drukowania.
- ❑ Należy unikać dotykania składników wewnątrz drukarki, chyba że w tym przewodniku określono inaczej.
- ❑ Należy postępować zgodnie ze wszystkimi ostrzeżeniami i instrukcjami oznaczonymi na drukarce.
- ❑ Nie należy próbować samodzielnie naprawiać drukarki, chyba że w dokumentacji drukarki zaznaczono inaczej.
- ❑ Okresowo należy wyjąć wtyczkę z gniazda elektrycznego i oczyścić zbieraki.
- ❑ Nie należy wyjmować wtyczki z gniazda, gdy drukarka jest włączona.
- ❑ Jeśli drukarka nie będzie przez dłuższy czas używana, należy wyjąć wtyczkę z gniazda elektrycznego.
- ❑ Przed czyszczeniem należy odłączyć drukarkę z gniazda elektrycznego.
- ❑ Do czyszczenia należy używać dobrze wykręconej szmatki. Nie należy używać środków czyszczących w płynie lub w aerozolu.

Ważna instrukcja

Postępowanie z materiałami eksploatacyjnymi i częściami konserwacyjnymi

- ❑ Nie należy spalać zużytych materiałów eksploatacyjnych ani części konserwacyjnych, ponieważ mogą eksplodować i spowodować obrażenia. Należy je zutylizować zgodnie z lokalnymi przepisami.
- ❑ Materiały eksploatacyjne i części konserwacyjne należy przechowywać w miejscu niedostępnym dla dzieci.
- ❑ Podczas obsługi pojemnika z tonerem należy zawsze umieszczać go na czystej, gładkiej powierzchni.
- ❑ Materiałów eksploatacyjnych lub części konserwacyjnych nie należy modyfikować ani rozbierać na części.
- ❑ Nie należy dotykać tonera. Należy zapobiegać dostaniu się tonera do oczu. W przypadku zabrudzenia tonerem skóry lub ubrania, należy natychmiast zmyć go wodą z mydłem.
- ❑ Jeśli toner zostanie rozsypany, należy go usunąć za pomocą szczotki oraz szufelki lub ściereczki zwilżonej wodą z mydłem. Ponieważ drobne cząsteczki mogą być przyczyną pożaru lub wybuchu w przypadku kontaktu z iskrą, nie należy używać odkurzacza.
- ❑ Po przeniesieniu pojemnika z tonerem z zimnego otoczenia do ciepłego należy odczekać co najmniej godzinę, aby zapobiec uszkodzeniom spowodowanym kondensacją.
- ❑ Aby uzyskać najlepszą jakość wydruku, kasetę z tonerem lub bęben światłoczuły nie powinny być przechowywane w miejscu, w którym byłyby narażone na bezpośrednie działanie światła słonecznego, kurzu, zasolonego powietrza lub gazów powodujących korozję (takich jak amoniak). Należy unikać lokalizacji, w których występują duże lub gwałtowne wahania temperatury lub wilgotności.

- ❑ W przypadku wyjmowania bębna światłoczułego nie należy narażać go na działanie promieniowania słonecznego i unikać wystawiania na działanie światła w pomieszczeniu dłużej niż przez trzy minuty. Jednostka światłoczuła zawiera bęben światłoczuły. Narażenie go na działanie światła może spowodować uszkodzenia, widoczne jako ciemne lub jasne obszary na wydrukowanej stronie oraz skrócenie okresu użytkowania bębna. Jeśli bęben światłoczuły musi przez długi czas znajdować się poza drukarką, należy go przykryć nieprzezroczystą tkaniną.
- ❑ Należy uważać, aby nie zadrapać powierzchni bębna. Wyjmując bęben światłoczuły z drukarki, należy zawsze umieszczać go na czystej, gładkiej powierzchni. Należy unikać dotykania bębna, ponieważ pozostawiony tłuszcz może trwale uszkodzić jego powierzchnię i obniżyć jakość wydruku.
- ❑ Nie dotykać rolek transferowych na modułach przekazywania, aby ich nie uszkodzić.
- ❑ Nie należy dopuścić, aby krawędzie papieru przesuwaly się po skórze, ponieważ mogą skaleczyć.

Informacje dotyczące bezpieczeństwa

Etykiety dotyczące bezpieczeństwa lasera



Ostrzeżenie:

Wykonywanie czynności i regulacji niewymienionych w instrukcji obsługi drukarki może być przyczyną narażenia na niebezpieczne promieniowanie. Drukarka jest produktem, w którym użyto lasera klasy 1 zgodnie z normą IEC60825. W przypadku krajów w których jest to wymagane, z tyłu urządzenia umieszczona jest etykieta podobna do przedstawionej.



Ważna instrukcja

Wewnętrzne promieniowanie lasera

W środku modułu głowicy drukującej znajduje się układ diod laserowych klasy III b, który emituje niewidoczny promień lasera. Moduł głowicy drukującej NIE PODLEGA SERWISOWI, dlatego nie należy w żadnym wypadku otwierać tego modułu. Wewnątrz drukarki jest umieszczona dodatkowa etykieta ostrzegawcza dotycząca lasera.

Bezpieczeństwo w zakresie emisji ozonu

Emisja ozonu

Drukarki laserowe wydzielają ozon jako produkt uboczny w procesie drukowania. Ozon produkowany jest jedynie w czasie drukowania.

Ograniczenie wpływu ozonu na otoczenie

Drukarka laserowa Epson wytwarza mniej niż 3 mg/godzinę podczas ciągłego drukowania.

Ograniczenie zagrożenia

Aby ograniczyć do minimum ryzyko narażenia na wpływ ozonu, należy unikać następujących sytuacji:

- Korzystanie z kilku drukarek laserowych w zamkniętym pomieszczeniu.
- Działanie w warunkach wyjątkowo niskiej wilgotności.
- Słaba wentylacja pomieszczenia.
- Długotrwałe, ciągłe drukowanie w jakiegokolwiek z powyższych sytuacji.

Umieszczenie drukarki

Drukarka powinna być ustawiona w miejscu, w którym wytwarzane gazy oraz ciepło podlegają następującym warunkom:

- Nie są wydzielane w kierunku twarzy użytkownika.

- Są bezpośrednio odprowadzane z pomieszczenia najczęściej jak to możliwe.

Ograniczenia dotyczące kopiowania

Użytkować drukarkę w sposób odpowiedzialny i zgodny z prawem, zwracając uwagę na następujące ograniczenia.

Kopiowanie następujących rzeczy jest zabronione prawem

- Banknoty, monety, państwowe zbywalne papiery wartościowe, państwowe obligacje, papiery wartościowe administracji lokalnej
- Nieużywane znaczki pocztowe, karty pocztowe z nadrukowanymi znaczkami oraz inne materiały pocztowe z nieskasowanymi oznaczeniami pocztowymi
- Państwowe znaki akcyzy i prawnie ważne papiery wartościowe

Zachować ostrożność podczas kopiowania następujących rzeczy

- Prywatne zbywalne papiery wartościowe (poświadczenia własności akcji, weksle, чеки itp.), bilety miesięczne, bilety ulgowe itp.
- Pasporty, prawa jazdy, zaświadczenia zdrowotne, winiety drogowe, kartki żywnościowe, bilety itp.

Odpowiedzialne używanie materiałów objętych prawem autorskim

Drukarka może zostać przypadkowo lub celowo użyta do niezgodnego z prawem kopiowania materiałów objętych prawem autorskim. Z wyjątkiem działania za radą odpowiednio wykwalifikowanego prawnika, przed kopiowaniem takich materiałów należy uzyskać zgodę właściciela praw autorskich.

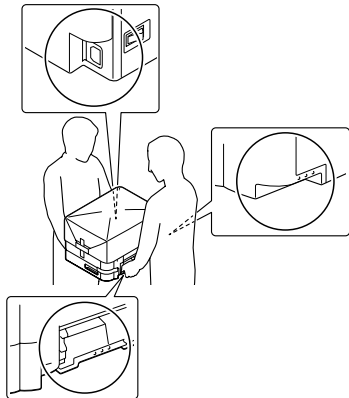
Dôležité pokyny

Dôležité pokyny

Dôležité bezpečnostné pokyny

Príprava tlačiarne

- Pretože hmotnosť tlačiarne s nainštalovaným spotrebným materiálom je 27,5 kg (60,6 libier) v prípade modelu N a 28,3 kg (62,4 libier) v prípade modelu DN, nesmie ju zdvíhať ani prenášať jedna osoba. Tlačiareň musia prenášať dve osoby a musia ju zdvíhať v správnych polohách, ako je to znázornené nižšie.



- Pri prenášaní udržiavajte tlačiareň vždy vo vodorovnej polohe.
- Ak neviete zasunúť zástrčku AC do elektrickej zásuvky, obráťte sa na elektrikára.
- Nepripájajte k neprerušiteľnému zdroju napájania UPS. V opačnom prípade môže dôjsť k poruchám alebo k poškodeniu.
- Dbajte na to, aby bol sieťový elektrický kábel v súlade s miestnymi bezpečnostnými normami. Používajte iba sieťový kábel dodaný spolu s týmto výrobkom. V prípade použitia iného kábla môže dôjsť k požiaru alebo zásahu elektrickým prúdom. Sieťový kábel dodaný s týmto výrobkom je určený výlučne na použitie s týmto výrobkom. V prípade jeho použitia s inými zariadeniami môže dôjsť k požiaru alebo zásahu elektrickým prúdom.

- Ak dôjde k poškodeniu zástrčky, vymeňte celú zostavu kábla, alebo sa poraďte s kvalifikovaným elektrikárom. Ak sú v zástrčke obsiahnuté poistky, dbajte na to, aby ste pri ich výmene použili poistky správnej veľkosti a výkonu.
- Použite uzemnenú zásuvku zodpovedajúcu elektrickej zástrčke tlačiarne. Nepoužívajte rozdvojnú zásuvku.
- Vyhňte sa používaniu elektrickej zásuvky ovládanej nástennými vypínačmi alebo automatickými časovačmi. Náhodné prerušenie elektrického napájania môže viesť k strate dôležitých informácií z pamäte počítača alebo pamäte tlačiarne.
- Dbajte na to, aby nebola zásuvka zaprášená.
- Dbajte na to, aby bola zástrčka do elektrickej zásuvky zasunutá na doraz.
- So zástrčkou nemanipulujte mokрыmi rukami.
- V prípade výskytu nasledujúcich podmienok odpojte predmetnú tlačiareň zo stenovej zásuvky a za účelom riešenia danej situácie sa obráťte na kvalifikovaného servisného zástupcu:

A.	Keď sú sieťový kábel alebo zástrčka poškodené alebo rozstrapkané.
B.	Keď sa do nej dostala tekutina.
C.	Keď bola vystavená dažďu alebo vode.
D.	Keď napriek dodržaniu prevádzkových pokynov tlačiareň nefunguje normálne. Nastavte iba tie ovládacie prvky, ktoré sú obsiahnuté v prevádzkových pokynoch, pretože nesprávne nastavenie iných ovládacích prvkov môže viesť k poškodeniu a následné opätovné uvedenie výrobku do normálnej prevádzky si často vyžaduje rozsiahly zásah kvalifikovaným technikom.
E.	Keď tlačiareň spadla, alebo došlo k poškodeniu jej krytu.
F.	Keď vykazuje výraznú zmenu vo výkone, naznačujúcu nutnosť vykonať servis.

- Vyhňte sa zdieľaniu zásuviek spolu s ďalšími prístrojmi.

Dôležité pokyny

- ❑ Všetky zariadenia zapojte do riadne uzemnených elektrických zásuviek. Nepoužívajte zásuvky v obvode, ku ktorému sú zároveň pripojené aj kopírovacie alebo klimatizačné zariadenia, ktoré sa pravidelne zapínajú a vypínajú.
- ❑ Vašu tlačiareň zapojte do elektrickej zásuvky, ktorá je v súlade s požiadavkami na elektrické napájanie tejto tlačiarne. Požiadavky na napájanie vašej tlačiarne sú uvedené na štítku prilepenom na tejto tlačiarňi. Ak si nie ste istý parametrami elektrického napájania vo vašej lokalite, obráťte sa na vašu miestnu energetickú spoločnosť alebo na vášho dileru.
- ❑ Ak používate predlžovací kábel, dbajte na to, aby celkový ampérový výkon výrobkov pripojených k tomuto predlžovaciemu káblu nepresiahol ampérový výkon tohto kábla.
- ❑ V prípade pripojenia tohto výrobku k počítaču alebo inému prístroju pomocou kábla dbajte na správnu orientáciu konektorov. Pre každý konektor platí iba jedna správna orientácia. Ak je orientácia konektora pri jeho zapájaní nesprávna, môže spôsobiť poškodenie obidvoch prístrojov prepojených daným káblom.
- ❑ Používajte iba doplnkové výrobky – kazetové jednotky na papier a stojany na tlačiareň – ktoré boli vyrobené konkrétne pre tento produkt. Použitie doplnkov určených pre iné produkty môže viesť k pádu produktu a zraneniam osôb.

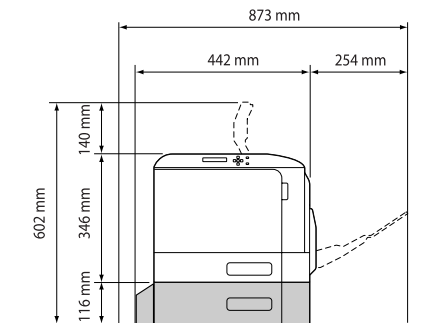
Výber miesta pre tlačiareň

Pri premiestňovaní tlačiarne zvolte vždy také miesto, na ktorom je dostatok priestoru pre ľahkú obsluhu a údržbu tlačiarne. Ako príručku na stanovenie priestoru, ktorý je okolo tlačiarne potrebný na zaistenie jej hladkej prevádzky, použite nasledujúci obrázok.

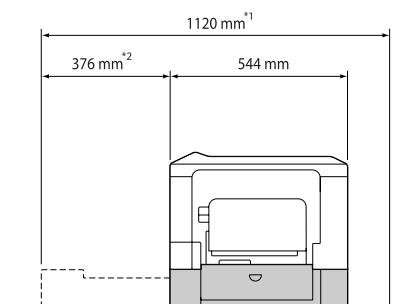
Poznámka:

Hodnoty sú zaokrúhlené na najbližšie desiatinné miesto.

Pohľad spredu



Pohľad z boku



*1 1086 mm, ak nie je nainštalovaná voliteľná kazetová jednotka.

*2 342 mm, ak nie je nainštalovaná voliteľná kazetová jednotka.

Okrem splnenia priestorových podmienok dbajte pri výbere miesta pre osadenie tlačiarne vždy aj na dodržanie nasledujúcich pravidiel:

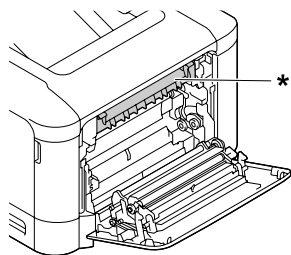
- ❑ Tlačiareň umiestnite neďaleko elektrickej zásuvky, kde môžete ľahko zapojiť aj odpojiť sieťový kábel.
- ❑ Tlačiareň neukladajte na také miesto, kde sa bude po kábli šliapať.
- ❑ Tlačiareň nepoužívajte vo vlhkom prostredí.
- ❑ Nevyberajte miesta vystavené priamemu slnečnému žiareniu, nadmernému teplu, vlhkosti, olejovým výparom, alebo prachu.
- ❑ Vyhnite sa miestam, ktoré sú vystavené účinkom vzduchu vychádzajúcemu priamo z klimatizácie.
- ❑ Tlačiareň neumiestňujte na nestabilný povrch.
- ❑ Drážky a otvory v kryte a tiež na zadnej strane a dne tlačiarne slúžia na účely vetrania. Neblokujte ich a ani ich nezakrývajte. Tlačiareň neumiestňujte na posteľ, pohovku, koberec alebo iný podobný povrch, alebo do vstavanej konfigurácie, pokiaľ nie je zabezpečené riadne odvetranie.

Dôležité pokyny

- ❑ Celý počítačový systém s tlačiarňou uchovávajte mimo potenciálnych zdrojov rušenia, ako sú reproduktory alebo základne bezdrôtových telefónov.
- ❑ Okolo tlačiarne zabezpečte adekvátny priestor na zaistenie dostatočného vetrania.

Používanie tlačiarne

- ❑ Dávajte pozor, aby ste sa nedotkli zapekacieho valca označeného výstražným štítkom, alebo povrchov okolo neho. Ak bola tlačiareň v prevádzke, zapekací valec a povrchy okolo neho môžu byť veľmi horúce. Ak sa niektorého z týchto povrchov musíte dotknúť, počkajte predtým 40 minút, kým sa toto teplo nevyčerpá.



* výstražný štítok

- ❑ Vašu ruku nekladajte hlbšie do zapekacej jednotky, pretože niektoré komponenty sú ostré a môžu spôsobiť zranenie.
- ❑ Cez drážky v kryte nikdy nevsúvajte dnu žiadne predmety, pretože by sa mohli dostať do kontaktu s bodmi s nebezpečným napätím alebo skratovať súčasti a vyvolať riziko požiaru alebo zásahu elektrickým prúdom.
- ❑ Na tlačiareň si nesadajte, ani sa o ňu neopierajte. Na tlačiareň nekladajte ťažké predmety.
- ❑ V tlačiarňi ani okolo nej nepoužívajte horľavé plyny akéhokoľvek druhu.
- ❑ Komponenty tlačiarne nikdy neinštalujte s vyvinutím nadmernej sily. Napriek jej robustnej konštrukcii môže nešetrná manipulácia s tlačiarňou spôsobiť jej poškodenie.
- ❑ V tlačiarňi nenechávajte zaseknutý papier. Môže to viesť k jej prehriatiu.
- ❑ Na tlačiareň nikdy nerozlievajte žiadne tekutiny.

- ❑ Používajte iba tie ovládacie prvky, ktoré sú obsiahnuté v prevádzkových pokynoch. Nesprávne nastavenie iných ovládacích prvkov môže viesť k poškodeniu a nutnosti opravy kvalifikovaným servisným zástupcom.
- ❑ Tlačiareň nevypínajte:
 - Po zapnutí tlačiarne počkajte, kým sa na LCD paneli neobjaví nápis Ready.
 - Keď bliká svetlo Ready (Pripravená).
 - Keď svieti alebo bliká svetlo Data.
 - V priebehu tlače.
- ❑ Nedotýkajte sa komponentov vo vnútri tlačiarne, pokiaľ to nie je v súlade s pokynmi v tejto príručke.
- ❑ Dodržiavajte všetky upozornenia a pokyny uvedené na tlačiarňi.
- ❑ Servisné úkony na výrobku sa nepokúšajte vykonávať vy sami, okrem prípadov, kedy sú tieto úkony konkrétne vysvetlené v dokumentácii tlačiarne.
- ❑ Pravidelne odpojte zástrčku z elektrickej zásuvky a vidlicu očistite.
- ❑ Zástrčku neodpájajte, pokiaľ je tlačiareň zapnutá.
- ❑ Ak tlačiareň nebude dlhší čas používaná, odpojte zástrčku z elektrickej zásuvky.
- ❑ Pred čistením odpojte tlačiareň zo sieťovej stenovej zásuvky.
- ❑ Na čistenie použite dobre vyžmýkanú tkaninu a nepoužívajte pri tom žiadne tekuté alebo aerosólové čistiace prostriedky.

Nakladanie so spotrebnými materiálmi a údržbovými dielmi

- ❑ Použitý spotrebné materiály alebo údržbové diely nespálujte, pretože môžu explodovať a spôsobiť zranenie. Zlikvidujte ich v súlade s miestnymi predpismi.
- ❑ Spotrebný materiál a údržbové diely uchovávajte mimo dosahu detí.
- ❑ Pri manipulácii s tonerovou kazetou túto kazetu vždy umiestnite na čistý a hladký povrch.

Dôležité pokyny

- ❑ Spotrebný materiál a údržbové diely sa nepokúšajte modifikovať ani rozoberať.
- ❑ Nedotýkajte sa tonera. Toner vždy uchovávajte mimo vašich očí. Ak sa toner dostane na vašu pokožku alebo šatstvo, okamžite ho umyte mydlom a vodou.
- ❑ Ak sa toner rozsype, odstráňte ho pomocou metly a lopatky alebo pomocou navlhčenej tkaniny s mydlom a vodou. Ak sa jemné častice dostanú do kontaktu s iskrou, môžu zahoriť alebo vybuchnúť. V takom prípade preto nepoužívajte vysávač.
- ❑ Po prenesení tonerovej kazety z chladného do teplého prostredia počkajte aspoň jednu hodinu a až potom ju začnite používať, aby sa tak zabránilo poškodeniu v dôsledku kondenzácie.
- ❑ Ak chcete dosiahnuť najlepšiu kvalitu tlače, tonerovú kazetu alebo jednotku fotovodiča nechovávajte na mieste vystavenom priamemu slnečnému žiareniu, prachu, slanému vzduchu, alebo koroziívnym plynom (ako je amoniak). Vylúčte miesta vystavené extrémnym alebo náhlym zmenám v teplote alebo vlhkosti.
- ❑ Pri vyberaní jednotky fotovodiča dbajte na to, aby nebola vystavená žiadnemu slnečnému žiareniu a aby nebola vystavená osvetleniu miestnosti na viac ako tri minúty. Jednotka fotovodiča obsahuje bubon citlivý na svetlo. Vystavenie svetlu môže bubon poškodiť a spôsobiť výskyt tmavších alebo svetlejších plôch na vytlačenej strane a viesť ku skráteniu životnosti bubna. Ak máte jednotku fotovodiča v priebehu dlhšieho obdobia uchovávať mimo tlačiarne, v takom prípade ju zakryte nepriehľadnou tkaninou.
- ❑ Dbajte na to, aby nedošlo k poškriabaniu povrchu bubna. Keď jednotku fotovodiča z tlačiarne vyberiete, vždy ju umiestnite na čistý a hladký povrch. Bubna sa nedotýkajte, pretože masť na vašej pokožke môže trvale poškodiť jeho povrch a ovplyvniť tak kvalitu tlače.
- ❑ Nedotýkajte sa prenosových valcov na prenosových jednotkách, pretože by sa mohli poškodiť.
- ❑ Pri manipulácii s papierom dávajte pozor, aby nedošlo k porezaniu vašej pokožky hranou papiera.

Bezpečnostné informácie

Bezpečnostné štítky laserového zariadenia



Výstraha:

Vykonanie postupov a nastavení iných ako tie, ktoré sú špecifikované v dokumentácii tlačiarne, môže viesť ku vystaveniu nebezpečnému žiareniu. Vaša tlačiareň je klasifikovaná ako laserový výrobok triedy 1 podľa špecifikácií IEC60825. Štítok podobný tomu, ktorý je na nižšie uvedenom obrázku, nájdete na zadnej strane tlačiarne v krajinách, kde si jeho použitie vyžadujú platné predpisy.



Vnútročné laserové žiarenie

Vo vnútri tlačovej hlavy sa nachádza Jednotka laserovej diódy triedy III b, vyznačujúca sa neviditeľným laserovým lúčom. Jednotka tlačovej hlavy NIE JE SERVISNOU POLOŽKOU, a preto by sa za žiadnych okolností nemala otvárať. Vo vnútri tlačiarne sa nachádza dodatočný štítok s upozornením týkajúcim sa lasera.

Ozónová bezpečnosť

Emisie ozónu

Ako vedľajší produkt procesu tlače vytvárajú laserové tlačiarne ozónový plyn. Ozón sa vytvára iba vtedy, keď tlačiareň tlačí.

Limit vystavenia ozónu

Laserová tlačiareň Epson produkuje ozón v množstve menej ako 3 mg/h pri nepretržitom tlačení.

Minimalizácia rizika

Za účelom minimalizácie vystavenia ozónu by ste mali vylúčiť nasledujúce podmienky:

Dôležité pokyny

- Používanie viacerých laserových tlačiarní v uzavretom priestore.
- Prevádzka v podmienkach s extrémne nízkou vlhkosťou.
- Slabé vetranie miestnosti.
- Dlhé nepretržité tlačenie v kombinácii s ktoroukoľvek z vyššie uvedených podmienok.

Umiestnenie tlačiarne

Tlačiareň by mala byť umiestnená tak, aby produkované odpadové plyny a teplo:

- nefúkali priamo do tváre používateľa,
- boli podľa možností vždy odvádzané von z budovy.

Obmedzenia týkajúce sa vytvárania kópií

Dodržiavajte nasledujúce obmedzenia a zabezpečte zodpovedné a legálne používanie tejto tlačiarne.

Vytváranie kópií nasledujúcich položiek zakazuje zákon

- Bankovky, mince, vládou vydané obchodovateľné cenné papiere, vládne dlhopisové cenné papiere a obecné cenné papiere
- Nepoužité poštové známky, ofrankované lístky a iné úradné poštové položky s vyznačením poštovného
- Vládou vydané kolky a cenné papiere vydané v zmysle zákonného postupu

Pri vytváraní kópií nasledujúcich položiek dávajte pozor

- Privátne obchodovateľné cenné papiere (akciové certifikáty na meno, prevoditeľné úpisy, šeky atď.), mesačné cestovné lístky, lístky na zľavnené cestovanie atď.
- Cestovné pasy, vodičské preukazy, technické preukazy vozidiel, doklady na prejazd spoplatnených ciest, stravné lístky, vstupenky atď.

Zodpovedné používanie materiálov chránených autorským právom

Tlačiareň sa môže omylom alebo nesprávne použiť na nezákonné kopírovanie materiálov chránených autorskými právami. Pri kopírovaní materiálov chránených autorskými právami musíte konať zodpovedne; požiadajte o súhlas vlastníka autorských práv alebo konajte v zmysle rady skúseného právnik.

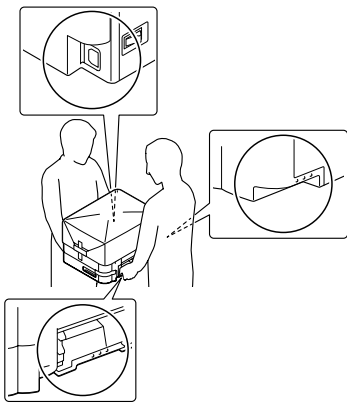
Instrucțiuni importante

Instrucțiuni importante

Instrucțiuni de protecție importante

Configurarea imprimantei

- Deoarece imprimanta are o greutate de aproximativ 27,5 kg (60,6 lb) în cazul modelului N sau de 28,3 kg (62,4 lb) în cazul modelului DN cu produse consumabile instalate, nu este permisă ridicarea sau transportarea sa de către o singură persoană. Imprimanta trebuie să fie transportată de două persoane, care să o ridice din punctele corecte, conform imaginii de mai jos.



- Când mutați imprimanta, mențineți-o întotdeauna în poziție originală.
- Dacă nu puteți introduce fișa de c.a. în priza electrică, contactați un electrician.
- A nu se conecta la o sursă de alimentare neîntreruptibilă. În cazul conectării la aceasta, pot apărea defecțiuni sau deteriorări.
- Cablul de alimentare în c.a. trebuie să corespundă standardelor locale relevante de siguranță. Folosiți numai cablul de alimentare care este atașat acestui produs. Utilizarea unui alt cablu poate provoca incendii sau electrocutări. Cablul de alimentare al acestui produs este destinat în exclusivitate utilizării cu acest produs. Utilizarea cablului cu alte echipamente poate avea ca rezultat incendii sau electrocutări.

- Dacă fișa a suferit deteriorări, înlocuiți cablul sau consultați un electrician calificat. Dacă fișa conține siguranțe, aveți grijă să le înlocuiți cu siguranțe de dimensiunea și curentul nominal adecvate.
- Folosiți o priză legată la pământ, corespunzătoare fișei de alimentare a imprimantei. Nu folosiți o fișă adaptor.
- Evitați utilizarea unei prize electrice care este controlată de comutatoare de perete sau de temporizatoare automate. Căderile accidentale de tensiune pot determina ștergerea unor informații valoroase din memoria calculatorului și a imprimantei dumneavoastră.
- Asigurați-vă că pe mufă nu este praf.
- Aveți grijă să introduceți complet ștecherul în priza de curent.
- Nu manipulați ștecherul cu mâinile ude.
- Deconectați această imprimantă de la priza de perete și încredințați operațiile de service unui reprezentant de service autorizat, în următoarele condiții:

A.	Când cablul de alimentare sau fișa este deteriorat(ă) sau uzat(ă).
B.	Dacă s-a vărsat lichid pe componenta respectivă.
C.	Dacă a fost expus la precipitații sau apă.
D.	Dacă nu funcționează în condiții normale atunci când se respectă instrucțiunile de utilizare. Reglați numai acele elemente de control care sunt prevăzute în instrucțiunile de utilizare, deoarece reglarea inadecvată a altor elemente de control poate avea ca rezultat deteriorări și va necesita deseori operații ample de reparații, efectuate de un tehnician autorizat, pentru readucerea produsului în stare normală de funcționare.
E.	Dacă a fost lăsat să cadă sau în cazul în care carcasa a suferit deteriorări.
F.	Dacă prezintă modificări vizibile de performanță, indicând necesitatea executării unor operații de service.

- Evitați să folosiți prize în comun cu alte echipamente.

Instrucțiuni importante

- ❑ Conectați toate echipamentele la prize de alimentare cu o legare la pământ adecvată. Evitați să folosiți prize situate pe același circuit cu fotocopiatoare sau sisteme de control al aerisirii, care sunt pornite și oprite cu regularitate.
- ❑ Conectați imprimanta la o priză care îndeplinește cerințele de alimentare ale acestei imprimante. Cerințele de alimentare ale imprimantei dumneavoastră sunt indicate pe o etichetă atașată la imprimantă. Dacă nu sunteți sigur cu privire la specificațiile legate de sursa de alimentare din zona dumneavoastră, contactați compania locală de electricitate sau consultați-vă distribuitorul.
- ❑ Dacă folosiți un cablu prelungitor, aveți grijă ca suma curenților nominali înscriși pe produsele conectate la cablul prelungitor să nu depășească valoarea curentului nominal al cablului.
- ❑ Când conectați acest produs la un calculator sau la alt dispozitiv cu ajutorul unui cablu, verificați orientarea adecvată a conectorilor. Fiecare conector are o singură orientare corectă. Introducerea unui conector folosind o orientare eronată poate deteriora ambele dispozitive conectate prin intermediul cablului.
- ❑ Folosiți numai produse opționale, cum ar fi casete cu hârtie și suport de imprimantă, fabricate în mod specific pentru acest produs. Folosirea opționalelor fabricate pentru alte produse poate cauza căderea produsului și vătămare corporală.

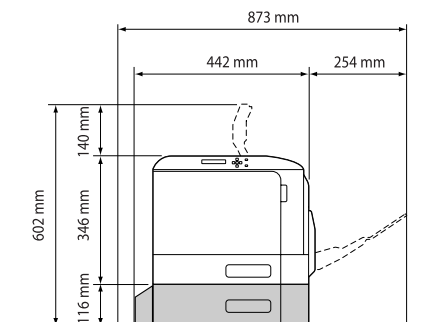
Identificarea locației pentru amplasarea imprimantei

Când mutați imprimanta, alegeți întotdeauna o locație cu spațiu adecvat pentru o exploatare și întreținere ușor de realizat. Utilizați ilustrația următoare ca ghid pentru spațiul necesar împrejurul imprimantei pentru a se asigura o funcționare fără probleme.

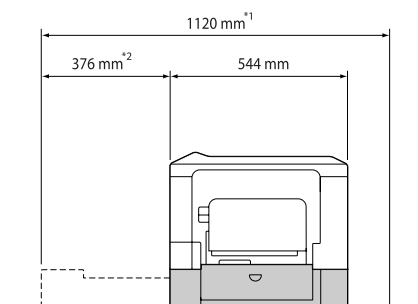
Notă:

Cifrele sunt rotunjite la cea mai apropiată zecimală.

Vedere din față



Vedere din lateral



*1 1086 mm dacă nu este instalată unitatea de casetă optică opțională.

*2 342 mm dacă nu este instalată unitatea de casetă optică opțională.

În afara considerațiilor de spațiu, rețineți întotdeauna următoarele măsuri de precauție atunci când găsiți o locație de amplasare a imprimantei:

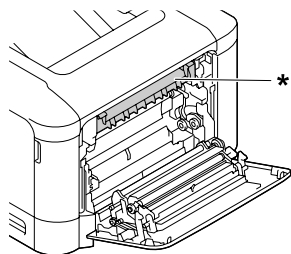
- ❑ Așezați imprimanta în apropierea unei prize electrice, unde puteți introduce și de unde puteți extrage cu ușurință cablul de alimentare.
- ❑ Nu așezați imprimanta într-o locație unde se poate călca pe cablul de alimentare.
- ❑ Nu folosiți imprimanta într-un mediu umed.
- ❑ Evitați locațiile expuse la lumină solară directă, căldură excesivă, umezeală, vapori de ulei sau praf.
- ❑ Evitați locurile aflate sub fluxul direct de aer de la un aparat de aer condiționat.
- ❑ Nu așezați imprimanta pe o suprafață instabilă.
- ❑ Fantele și deschiderile din carcasă și cele amplasate în partea din spate sau la baza imprimantei sunt prevăzute pentru ventilație. Nu le blocați și nu le acoperiți. Nu așezați imprimanta pe un pat, pe canapea, pe covor sau pe alte suprafețe similare sau într-o instalație încorporată, dacă nu este asigurată o aerisire adecvată.

Instrucțiuni importante

- ❑ Țineți calculatorul și imprimanta la distanță de potențiale surse de interferență, precum difuzoare sau unități de bază ale telefoanelor fără fir.
- ❑ Lăsați un spațiu suficient în jurul imprimantei pentru a permite o ventilație suficientă.

Utilizarea imprimantei

- ❑ Aveți grijă să nu atingeți cuptorul care poartă un marcaj de atenționare și nici zonele limitrofe acestuia. Dacă imprimanta a fost utilizată, cuptorul și zonele limitrofe acestuia pot fi foarte fierbinți. Dacă trebuie să atingeți una din aceste porțiuni, așteptați 40 de minute pentru a permite diminuarea căldurii înainte de a proceda astfel.



* marcaj de atenționare

- ❑ Nu introduceți mâna adânc în unitatea cuptor, deoarece unele componente sunt ascuțite și pot cauza leziuni.
- ❑ Nu introduceți niciodată obiecte, indiferent de genul acestora, în fantele carcasei, deoarece pot atinge puncte sau piese aflate sub o tensiune periculoasă, ceea ce poate avea ca rezultat un pericol de incendiu sau de electrocutare.
- ❑ Nu lăsați hârtia să stea sau să atârne pe imprimantă. Nu așezați obiecte grele pe imprimantă.
- ❑ Nu folosiți gaze combustibile în interiorul sau în jurul imprimantei.
- ❑ Nu montați niciodată forțat componentele imprimantei. Deși imprimanta este proiectată pentru a fi robustă, o manipulare brutală o poate deteriora.
- ❑ Nu lăsați hârtia blocată în interiorul imprimantei. Aceasta poate determina supraîncălzirea imprimantei.

- ❑ Nu vărsați niciodată lichide pe imprimantă, indiferent de natura acestora.
- ❑ Reglați numai acele elemente de control prezentate în instrucțiunile de utilizare. Reglarea inadecvată a altor elemente de control poate avea ca rezultat deteriorări și poate necesita efectuarea de reparații de către un reprezentant de service autorizat.
- ❑ Nu opriți imprimanta:
 - După pornirea imprimantei, așteptați până când indicatorul Ready apare pe panoul cu cristale lichide.
 - În timp ce indicatorul Ready luminează intermitent.
 - În timp ce indicatorul Data luminează permanent sau cu intermitență.
 - În timpul tipăririi.
- ❑ Evitați atingerea componentelor din interiorul imprimantei, cu excepția situațiilor în care în manualul de față vi se indică să procedați astfel.
- ❑ Urmați toate avertismentele și instrucțiunile marcate pe imprimantă.
- ❑ Cu excepția situațiilor clar explicate în documentația imprimantei, nu încercați să reparați personal acest produs.
- ❑ Periodic, deconectați ștecherul din priza electrică și curățați piciorușele.
- ❑ Nu deconectați ștecherul dacă imprimanta este pornită.
- ❑ Dacă nu veți utiliza imprimanta o perioadă îndelungată, scoateți ștecherul din priză.
- ❑ Decuplați această imprimantă de la priza de perete înainte de a o curăța.
- ❑ Folosiți o lavetă bine stoarsă pentru curățare și nu utilizați soluții de curățare lichide sau pe bază de aerosoli.

Instrucțiuni importante

Manipularea produselor consumabile și a componentelor de întreținere

- ❑ Nu ardeți produsele consumabile sau componentele de întreținere uzate, deoarece acestea pot exploda și pot răni pe cineva. Debarasați-vă de acestea în conformitate cu reglementările locale.
- ❑ Aveți grijă să nu lăsați produsele consumabile și componentele de întreținere la îndemâna copiilor.
- ❑ Când manipulați un cartuș de toner, așezați-l întotdeauna pe o suprafață curată și uniformă.
- ❑ Nu încercați să modificați sau să demontați produsele consumabile sau componentele de întreținere.
- ❑ Nu atingeți tonerul. Feriți-vă ochii de toner. Dacă tonerul ajunge pe piele sau pe haine, îndepărtați-l imediat prin spălare cu apă și săpun.
- ❑ În cazul vărsării de toner, folosiți pentru curățare o mătură și un fâraș sau o lavetă umedă, cu apă și săpun. Deoarece particulele fine pot provoca incendii sau explozii dacă intră în contact cu o scânteie, nu folosiți aspiratorul.
- ❑ Așteptați cel puțin o oră înainte de a folosi un cartuș de toner după mutarea acestuia dintr-un mediu rece într-un mediu cald, pentru a preveni pagubele produse în urma condensului.
- ❑ Pentru a obține o calitate optimă a imprimării, nu depozitați cartușul de toner sau unitatea fotoconductoare într-o zonă aflată sub acțiunea directă a luminii solare, prafului, aerului sărat sau gazelor corozive (precum amoniacul). Evitați locațiile supuse la modificări drastice sau rapide de temperatură sau umiditate.
- ❑ Când demontați unitatea fotoconductoare, nu o expuneți deloc la lumina solară și evitați expunerea acesteia la lumina artificială pentru mai mult de trei minute. Unitatea fotoconductoare conține un tambur sensibil la lumină. Expunerea la lumină poate deteriora tamburul, determinând apariția de porțiuni luminoase sau întunecate pe pagina imprimată și reducând durata de utilizare a tamburului. Dacă trebuie să lăsați un timp îndelungat unitatea fotoconductoare în afara imprimantei, acoperiți-o cu o lavetă opacă.

- ❑ Aveți grijă să nu zgâriați suprafața tamburului. Când extrageți unitatea fotoconductoare din imprimantă, așezați-o întotdeauna pe o suprafață curată și uniformă. Evitați atingerea tamburului, deoarece uleiul din pielea dumneavoastră poate deteriora iremediabil suprafața acestuia și afecta calitatea imprimării.
- ❑ Nu atingeți rolele de transfer de pe unitățile de transfer, pentru a evita să le deteriorați.
- ❑ Nu lăsați marginea hârtiei să alunece de-a lungul pielii dumneavoastră, vă puteți tăia cu marginea hârtiei.

Informații de protecție

Etichete de siguranță pentru utilizarea laserului



Avertisment:

Efectuarea de proceduri și reglaje altele decât cele specificate în documentația imprimantei pot avea ca rezultat o expunere periculoasă la radiații. Imprimanta dumneavoastră este un produs laser din Clasa 1, conform definiției din specificațiile IEC60825. Eticheta similară cu cea prezentată mai jos este atașată la partea din spate a imprimantei, în țările în care acest lucru este necesar.



Radiații laser interne

Acesta este un ansamblu cu diodă laser de clasă III b, iar în interiorul unității capului de imprimare este inclusă o rază laser invizibilă. Unitatea capului de imprimare NU ESTE UN ARTICOL DE SERVICE, motiv pentru care unitatea capului de imprimare nu trebuie deschisă în nicio situație. O etichetă suplimentare de avertizare laser este aplicată pe partea interioară a imprimantei.

Instrucțiuni importante

Protecția stratului de ozon

Emisii de ozon

Ozonul gazos este generat de imprimantele laser ca un produs secundar al procesului de imprimare. Ozonul este generat numai când imprimanta este în proces de imprimare.

Limită de expunere la ozon

Imprimanta cu laser Epson generează mai puțin de 3 mg/h în timpul imprimării continue.

Minimizarea riscului

Pentru a reduce la minimum riscul de expunere la ozon, trebuie să evitați următoarele situații:

- Utilizarea mai multor imprimante laser într-o zonă închisă
- Exploatarea în condiții de umiditate extrem de redusă
- Aerisire redusă a camerei
- Imprimare prelungită și continuă, în oricare dintre condițiile de mai sus

Amplasarea imprimantei

Imprimanta trebuie astfel amplasată încât gazele de evacuare și căldura generată:

- Să nu fie expulzate direct în fața utilizatorului
- Să fie evacuate direct în afara clădirii, ori de câte ori este posibil

Restricții privind copierea

Respectați următoarele restricții pentru a asigura o utilizare responsabilă și legală a imprimantei.

Copierea următoarelor articole este interzisă prin lege

- Bancnote, monede, instrumente financiare vandabile emise de guvern, obligațiuni guvernamentale și obligațiuni municipale

- Mărci poștale nefolosite, cărți poștale pretimbstrate și alte articole poștale oficiale cu timbre valabile
- Timbre fiscale emise de guvern și instrumente financiare emise conform procedurilor legale

Procedați cu precauție când copiați următoarele articole

- Instrumente financiare vandabile private (certIFICATE de acționar, instrumente negociabile, cecuri etc.), permise lunare, bilete de concesiune etc.
- Pașapoarte, permise de conducere, garanții de adecvare, permise de liberă trecere, bonuri de masă, bilete etc.

Utilizarea responsabilă a materialelor protejate de legea drepturilor de autor

Este posibil ca imprimanta să fie folosită incorect sau accidental pentru a copia materiale protejate de legea drepturilor de autor. Dați dovadă de răspundere când copiați materiale protejate de legea drepturilor de autor, obținând permisiunea posesorului drepturilor de autor sau consiliere din partea unui avocat competent.

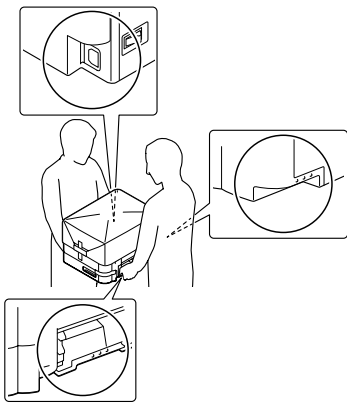
Σημαντικές οδηγίες

Σημαντικές οδηγίες

Σημαντικές οδηγίες ασφάλειας

Εγκατάσταση του εκτυπωτή

- ❑ Επειδή ο εκτυπωτής ζυγίζει περίπου 27,5 kg (60,6 lb) για το μοντέλο N ή 28,3 kg (62,4 lb) για το μοντέλο DN με εγκατεστημένα τα αναλώσιμα προϊόντα, η μεταφορά του δεν πρέπει να γίνεται από ένα μόνο άτομο. Η μεταφορά του εκτυπωτή πρέπει να γίνεται από δύο άτομα, σηκώνοντάς τον από τα σωστά σημεία όπως φαίνεται στην παρακάτω εικόνα.



- ❑ Όταν μετακινείτε τον εκτυπωτή, να τον κρατάτε πάντα οριζόντια.
- ❑ Αν έχετε προβλήματα με τη σύνδεση του καλωδίου τροφοδοσίας εναλλασσόμενου ρεύματος (AC) στην πρίζα, απευθυνθείτε σε κάποιον ηλεκτρολόγο.
- ❑ Μην συνδέετε σε πηγή αδιάλειπτης παροχής ρεύματος. Αν προχωρήσετε σε μια τέτοια σύνδεση, ενδέχεται να προκληθούν δυσλειτουργίες ή βλάβες.

- ❑ Βεβαιωθείτε ότι το καλώδιο τροφοδοσίας AC ικανοποιεί τα σχετικά τοπικά πρότυπα ασφαλείας. Χρησιμοποιείτε αποκλειστικά και μόνο το καλώδιο τροφοδοσίας που παρέχεται με το προϊόν. Η χρήση διαφορετικού καλωδίου μπορεί να προκαλέσει φωτιά ή ηλεκτροπληξία. Το καλώδιο τροφοδοσίας του προϊόντος προορίζεται για χρήση αποκλειστικά και μόνο με το συγκεκριμένο προϊόν. Η χρήση του με άλλον εξοπλισμό μπορεί να προκαλέσει φωτιά ή ηλεκτροπληξία.
- ❑ Εάν προκληθεί ζημιά στην πρίζα, αντικαταστήστε το καλώδιο ή απευθυνθείτε σε κάποιον ηλεκτρολόγο. Εάν η πρίζα διαθέτει ασφάλεια, βεβαιωθείτε ότι τις αντικαταστήσατε με ασφάλειες σωστού μεγέθους και ορίου.
- ❑ Χρησιμοποιήστε γειωμένη πρίζα που να ταιριάζει με το βύσμα τροφοδοσίας του εκτυπωτή. Μην χρησιμοποιείτε βύσμα προσαρμογέα.
- ❑ Μην χρησιμοποιείτε πρίζες που ελέγχονται από διακόπτες ή αυτόματους χρονοδιακόπτες. Η διακοπή της τροφοδοσίας κατά λάθος μπορεί να έχει ως αποτέλεσμα τη διαγραφή πολύτιμων πληροφοριών από τη μνήμη του υπολογιστή και του εκτυπωτή σας.
- ❑ Βεβαιωθείτε ότι η πρίζα δεν έχει σκόνη.
- ❑ Συνδέστε καλά το βύσμα στην πρίζα.
- ❑ Μην αγγίζετε το βύσμα με βρεγμένα χέρια.
- ❑ Αποσυνδέστε τον εκτυπωτή από την πρίζα και απευθυνθείτε σε εξουσιοδοτημένο τεχνικό αντιπρόσωπο εάν συμβαίνουν τα παρακάτω:

A.	Το καλώδιο τροφοδοσίας ή το βύσμα έχουν υποστεί ζημιά ή έχουν φθαρεί.
B.	Έχει χυθεί υγρό μέσα στον εκτυπωτή.
C.	Έχει εκτεθεί σε νερό ή βροχή.
D.	Δεν λειτουργεί κανονικά ενώ ακολουθούνται οι οδηγίες χειρισμού του. Ρυθμίζετε μόνο τα στοιχεία ελέγχου που καλύπτονται από τις οδηγίες χρήσης, δεδομένου ότι η μη σωστή ρύθμιση άλλων στοιχείων ελέγχου μπορεί να έχει ως αποτέλεσμα την πρόκληση ζημιάς και συνήθως απαιτεί εκτεταμένη εργασία από εξουσιοδοτημένο τεχνικό για την αποκατάσταση της κανονικής λειτουργίας του προϊόντος.

Σημαντικές οδηγίες

E.	Σε περίπτωση που η συσκευή πέσει κάτω ή προκληθεί ζημιά στο περίβλημα.
F.	Εάν παρουσιάζει αισθητή διαφορά στην απόδοση, υποδεικνύοντας έτσι ότι απαιτείται συντήρηση.

- ❑ Μην χρησιμοποιείτε πρίζες στις οποίες είναι συνδεδεμένες και άλλες συσκευές.
- ❑ Συνδέστε όλο τον εξοπλισμό σε σωστά γειωμένες πρίζες. Αποφύγετε να χρησιμοποιείτε πρίζες που βρίσκονται στο ίδιο κύκλωμα με φωτοτυπικά ή με συστήματα αερισμού που ενεργοποιούνται και απενεργοποιούνται τακτικά.
- ❑ Συνδέστε τον εκτυπωτή σε πρίζα που πληροί τις προδιαγραφές τροφοδοσίας αυτού του εκτυπωτή. Οι προδιαγραφές τροφοδοσίας του εκτυπωτή αναγράφονται στην ετικέτα πάνω στον εκτυπωτή. Αν δεν είστε σίγουροι για τις προδιαγραφές τροφοδοσίας που ισχύουν στην περιοχή σας, συμβουλευθείτε τον προμηθευτή σας ή την εταιρεία παροχής ηλεκτρισμού.
- ❑ Εάν χρησιμοποιείτε καλώδιο επέκτασης, βεβαιωθείτε ότι η συνολική τάση σε αμπερ των προϊόντων που είναι συνδεδεμένα στο καλώδιο επέκτασης δεν υπερβαίνει το όριο για το καλώδιο επέκτασης.
- ❑ Όταν συνδέετε αυτό το προϊόν σε υπολογιστή ή άλλη συσκευή με καλώδιο, βεβαιωθείτε για τον σωστό προσανατολισμό των συνδέσμων. Κάθε βύσμα διαθέτει μόνο ένα σωστό προσανατολισμό. Η τοποθέτηση ενός βύσματος με εσφαλμένο προσανατολισμό μπορεί να προκαλέσει ζημιά και στις δύο συσκευές που συνδέονται με το καλώδιο.
- ❑ Να χρησιμοποιείτε μόνο πρόσθετα προϊόντα, όπως κασέτες χαρτιού και ορθοστάτη εκτυπωτή, που έχουν κατασκευαστεί ειδικά για το συγκεκριμένο προϊόν. Η χρήση πρόσθετων που έχουν κατασκευαστεί για άλλα προϊόντα, μπορεί να προκαλέσει την πτώση του προϊόντος και τον τραυματισμό ατόμων.

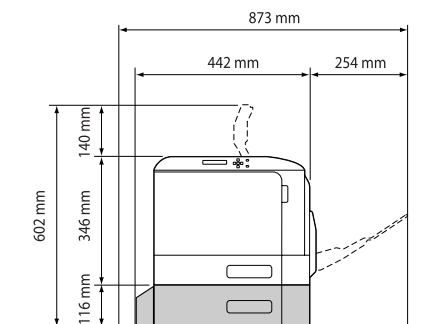
Η κατάλληλη θέση για τον εκτυπωτή

Όταν αλλάζετε τη θέση του εκτυπωτή, επιλέγετε πάντοτε θέσεις με αρκετό χώρο για να διεξάγονται εύκολα η λειτουργία και η συντήρηση. Στην παρακάτω εικόνα απεικονίζεται ο κενός χώρος που πρέπει να υπάρχει γύρω από τον εκτυπωτή, ώστε να εξασφαλίζεται η σωστή λειτουργία του.

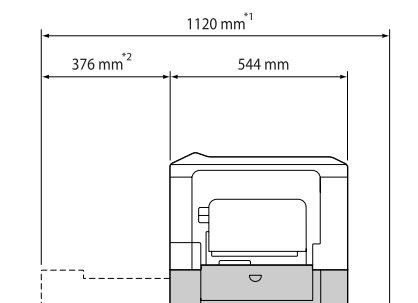
Σημείωση:

Τα νούμερα είναι στρογγυλοποιημένα στον πλησιέστερο δεκαδικό.

Πρόσοψη



Πλαϊνή όψη



*1 1086 mm εάν δεν έχει εγκατασταθεί η προαιρετική μονάδα κασέτας.

*2 342 mm εάν δεν έχει εγκατασταθεί η προαιρετική μονάδα κασέτας.

Πέρα από το θέμα του χώρου, πρέπει να ακολουθείτε πάντα τις παρακάτω προφυλάξεις όταν αναζητείτε την κατάλληλη θέση για την τοποθέτηση του εκτυπωτή:

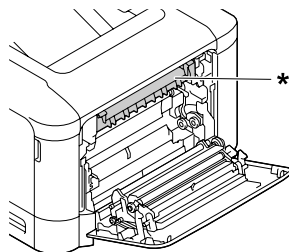
- ❑ Φροντίστε να είναι κοντά σε πρίζα όπου θα μπορείτε εύκολα να συνδέσετε και να αποσυνδέσετε το καλώδιο τροφοδοσίας.
- ❑ Μην τοποθετείτε τον εκτυπωτή σε σημείο όπου μπορεί να πατηθεί το καλώδιο τροφοδοσίας.

Σημαντικές οδηγίες

- ❑ Μην χρησιμοποιείτε τον εκτυπωτή σε περιβάλλον με υγρασία.
- ❑ Αποφύγετε σημεία που είναι εκτεθειμένα άμεσα στο φως του ήλιου, σε υπερβολική ζέστη, υγρασία, ατμούς λαδιού ή σκόνη.
- ❑ Αποφεύγετε τοποθεσίες που εκτίθενται στον αέρα που προέρχεται απευθείας από το κλιματιστικό.
- ❑ Μην τοποθετείτε τον εκτυπωτή σε ασταθή επιφάνεια.
- ❑ Οι υποδοχές και τα ανοίγματα στο περίβλημα καθώς και στο πίσω μέρος ή τη βάση του εκτυπωτή παρέχονται για εξαερισμό. Μην τα φράσσετε, ούτε να τα καλύπτετε. Μην τοποθετείτε τον εκτυπωτή σε κρεβάτι, καναπέ, χαλάκι ή άλλη παρόμοια επιφάνεια ή σε εντοιχισμένη εγκατάσταση, εκτός εάν παρέχεται επαρκής εξαερισμός.
- ❑ Φροντίστε ολόκληρο το σύστημα υπολογιστή και εκτυπωτή να βρίσκεται μακριά από πιθανές πηγές παρεμβολών, όπως ηχεία ή συσκευές βάσης ασύρματων τηλεφώνων.
- ❑ Αφήστε αρκετό χώρο γύρω από τον εκτυπωτή ώστε να επιτυγχάνεται ο επαρκής αερισμός του.
- ❑ Ποτέ μην ωθείτε αντικείμενα οποιουδήποτε είδους μέσα από τις υποδοχές του περιβλήματος διότι μπορεί να αγγίξουν σημεία με τάση ή να προκαλέσουν βραχυκύκλωμα σε εξαρτήματα, με ενδεχόμενο αποτέλεσμα την πρόκληση φωτιάς ή ηλεκτροπληξίας.
- ❑ Μην κάθεστε ή ακουμπάτε πάνω στον εκτυπωτή. Μην τοποθετείτε βαριά αντικείμενα πάνω στον εκτυπωτή.
- ❑ Μην χρησιμοποιείτε κανενός είδους εύφλεκτο αέριο εντός ή γύρω από τον εκτυπωτή.
- ❑ Ποτέ μην ασκείτε υπερβολική δύναμη για να τοποθετήσετε τα εξαρτήματα του εκτυπωτή στη θέση τους. Παρόλο που ο εκτυπωτής έχει σχεδιαστεί έτσι ώστε να είναι ανθεκτικός, ενδέχεται να προκληθούν ζημιές εξαιτίας τυχόν μη προσεκτικής μεταχείρισης.
- ❑ Εάν προκληθεί εμπλοκή χαρτιού, μην αφήσετε το χαρτί μέσα στον εκτυπωτή. Ενδέχεται να προκληθεί υπερθέρμανση.
- ❑ Ποτέ μην χύνετε υγρό οποιουδήποτε είδους πάνω στον εκτυπωτή.
- ❑ Ρυθμίστε μόνο τα στοιχεία ελέγχου που αναφέρονται στις οδηγίες χρήσης. Η λανθασμένη ρύθμιση άλλων στοιχείων ελέγχου μπορεί να προκαλέσει βλάβη και να απαιτείται επισκευή από κάποιον εξουσιοδοτημένο τεχνικό αντιπρόσωπο.
- ❑ Μην απενεργοποιήσετε τον εκτυπωτή:
 - Αφού ενεργοποιήσετε τον εκτυπωτή, περιμένετε μέχρι να εμφανιστεί η ένδειξη **Ready** στην οθόνη LCD.
 - Όταν αναβοσβήνει η φωτεινή ένδειξη **Ετοιμότητας**.
 - Όταν είναι αναμμένη ή αναβοσβήνει η φωτεινή ένδειξη **Data**.
 - Όταν εκτυπώνει.

Χρήση του εκτυπωτή

- ❑ Προσέξτε να μην αγγίξετε τη μονάδα τήξης, η οποία φέρει μια ετικέτα προσοχής, ή τις περιοχές γύρω από αυτή. Εάν ο εκτυπωτής έχει χρησιμοποιηθεί πρόσφατα, η θερμοκρασία της μονάδας τήξης και των γύρω περιοχών μπορεί να είναι εξαιρετικά υψηλή. Εάν πρέπει να αγγίξετε ένα από αυτά τα μέρη, περιμένετε 40 λεπτά μέχρι να υποχωρήσει η θερμότητα.



* ετικέτα προσοχής

- ❑ Μην τοποθετείτε το χέρι σας μέσα στη μονάδα τήξης καθώς ορισμένα εξαρτήματα είναι αιχμηρά και ίσως προκαλέσουν τραυματισμό.

- ❑ Μην αγγίζετε τα εξαρτήματα που βρίσκονται στο εσωτερικό του εκτυπωτή εκτός αν σας δίνονται σχετικές οδηγίες στον οδηγό αυτό.
- ❑ Τηρείτε όλες τις προειδοποιήσεις και τις οδηγίες που αναγράφονται στον εκτυπωτή.
- ❑ Εκτός εάν αναφέρεται ρητά στην τεκμηρίωση του εκτυπωτή, μην επιχειρείτε να συντηρήσετε μόνοι σας το προϊόν.

Σημαντικές οδηγίες

- ❑ Ανά τακτά διαστήματα αποσυνδέετε το βύσμα από την πρίζα και καθαρίζετε τα πτερύγια.
- ❑ Μην αποσυνδέετε το βύσμα όταν ο εκτυπωτής είναι ενεργοποιημένος.
- ❑ Εάν δεν πρόκειται να χρησιμοποιήσετε τον εκτυπωτή για μεγάλο χρονικό διάστημα, αποσυνδέστε το βύσμα από την πρίζα.
- ❑ Πριν τον καθαρίσετε, αποσυνδέστε τον εκτυπωτή από την πρίζα.
- ❑ Χρησιμοποιήστε ένα καλά στραγγισμένο πανί καθαρισμού και μην χρησιμοποιείτε καθαριστικά υγρά ή σπρέι.

Χειρισμός αναλώσιμων προϊόντων και ανταλλακτικών

- ❑ Μην καίτε τα χρησιμοποιημένα αναλώσιμα προϊόντα ή ανταλλακτικά γιατί ενδέχεται να εκραγούν και να προκαλέσουν τραυματισμό. Η απόρριψή τους πρέπει να πραγματοποιείται σύμφωνα με τους τοπικούς κανονισμούς.
- ❑ Φροντίστε να φυλάσσετε τα αναλώσιμα προϊόντα και ανταλλακτικά μακριά από τα παιδιά.
- ❑ Κατά το χειρισμό της κασέτας τόνερ, τοποθετήστε την πάνω σε μια καθαρή, λεία επιφάνεια.
- ❑ Μην επιχειρήσετε να τροποποιήσετε ή να αποσυναρμολογήσετε τα αναλώσιμα προϊόντα ή ανταλλακτικά.
- ❑ Μην αγγίζετε το τόνερ. Κρατάτε πάντα το τόνερ σε απόσταση από τα μάτια σας. Εάν το τόνερ πέσει στο δέρμα ή στα ρούχα σας, ξεπλύνετε αμέσως με σαπούνι και νερό.
- ❑ Εάν το τόνερ χυθεί, σκουπίστε το με σκούπα και φαράσι ή καθαρίστε το με πανί, σαπούνι και νερό. Καθώς τα λεπτά σωματίδια μπορούν να προκαλέσουν φωτιά ή έκρηξη αν έρθουν σε επαφή με σπινθήρα, μην χρησιμοποιείτε ηλεκτρική σκούπα.
- ❑ Περιμένετε τουλάχιστον μία ώρα πριν χρησιμοποιήσετε μια κασέτα τόνερ που έχετε μεταφέρει από κρύο σε θερμό περιβάλλον, προκειμένου να αποφευχθεί η πρόκληση βλαβών λόγω συμπύκνωσης υγρασίας.

- ❑ Για βέλτιστη ποιότητα εκτύπωσης, μην αποθηκεύετε την κασέτα τόνερ ή τη μονάδα φωτοαγωγού σε περιοχές που εκτίθενται άμεσα στο φως του ηλίου, σε σκόνη, θαλασσινό αέρα ή διαβρωτικά αέρια (όπως αμμωνία). Αποφύγετε επίσης χώρους όπου σημειώνονται απότομες ή ακραίες αλλαγές θερμοκρασίας ή υγρασίας.
- ❑ Κατά την αφαίρεση της μονάδας φωτοαγωγού, μην την εκθέτετε στο φως του ήλιου και αποφύγετε την έκθεση σε φως δωματίου για περισσότερο από τρία λεπτά. Η μονάδα φωτοαγωγού περιέχει ένα φωτοευαίσθητο τύμπανο. Η έκθεση στο φως μπορεί να προκαλέσει βλάβη στο τύμπανο, με αποτέλεσμα την εμφάνιση σκουρόχρωμων ή ανοιχτόχρωμων περιοχών στις εκτυπώσεις σας καθώς και την ελάττωση της διάρκειας ζωής του τύμπανου. Εάν χρειάζεται να παραμείνει η μονάδα φωτοαγωγού εκτός του εκτυπωτή για μεγάλο χρονικό διάστημα, καλύψτε τη με ένα αδιαφανές ύφασμα.
- ❑ Προσέξτε να μη γρατσουνίσετε την επιφάνεια του τύμπανου. Όταν αφαιρείτε τη μονάδα φωτοαγωγού από τον εκτυπωτή, τοποθετείτε την πάντα σε μια καθαρή, λεία επιφάνεια. Αποφύγετε την επαφή με το τύμπανο, γιατί η λιπαρότητα του δέρματος μπορεί να προκαλέσει μόνιμη ζημιά στην επιφάνειά του επηρεάζοντας την ποιότητα εκτύπωσης.
- ❑ Μην αγγίζετε τους κυλίνδρους μετακίνησης στις μονάδες μετακίνησης για να αποφύγετε τυχόν φθορές.
- ❑ Μην πιάνετε απότομα τις άκρες των χαρτιών γιατί μπορεί να κοπείτε.

Σημαντικές οδηγίες

Πληροφορίες για την ασφάλεια

Ετικέτες ασφάλειας για τη χρήση λέιζερ


Προειδοποίηση:

Η εκτέλεση διαδικασιών και ρυθμίσεων που δεν ορίζονται στην τεκμηρίωση του εκτυπωτή ενδέχεται να οδηγήσει σε έκθεση σε επικίνδυνη ακτινοβολία. Ο εκτυπωτής σας αποτελεί προϊόν λέιζερ Κλάσης 1, σύμφωνα με τις προδιαγραφές του προτύπου IEC60825. Μια ετικέτα παρόμοια με την παραπάνω είναι τοποθετημένη στο πίσω μέρος του εκτυπωτή στις χώρες όπου απαιτείται.



Εσωτερική ακτινοβολία λέιζερ

Υπάρχει ένα συγκρότημα διόδου λέιζερ Κλάσης III b με αόρατη ακτίνα λέιζερ στη μονάδα κεφαλής του εκτυπωτή. Η μονάδα κεφαλής του εκτυπωτή DEN ΑΠΟΤΕΛΕΙ ΣΤΟΙΧΕΙΟ ΣΥΝΤΗΡΗΣΗΣ, συνεπώς, δεν πρέπει να ανοίγεται υπό οποιεσδήποτε συνθήκες. Μια πρόσθετη ετικέτα προειδοποίησης είναι τοποθετημένη στο εσωτερικό του εκτυπωτή.

Προστασία από το όζον

Εκπομπή όζοντος

Το αέριο όζον παράγεται από τους εκτυπωτές λέιζερ ως παραπροϊόν της διαδικασίας εκτύπωσης. Το όζον παράγεται μόνον όταν ο εκτυπωτής εκτυπώνει.

Όριο έκθεσης στο όζον

Ο εκτυπωτής λέιζερ της Epson παράγει λιγότερο από 3 mg/ώρα συνεχούς εκτύπωσης.

Ελαχιστοποίηση του κινδύνου

Για να ελαχιστοποιήσετε τον κίνδυνο έκθεσης στο όζον, πρέπει να αποφεύγετε τα ακόλουθα:

- Χρήση πολλών εκτυπωτών λέιζερ σε περιορισμένο χώρο
- Λειτουργία σε συνθήκες υπερβολικά υψηλής υγρασίας
- Κακές συνθήκες εξαερισμού
- Συνεχής, μεγάλης διάρκειας εκτύπωση σε συνδυασμό με οποιαδήποτε από τις παραπάνω συνθήκες

Θέση του εκτυπωτή

Η θέση του εκτυπωτή πρέπει να επιλέγεται κατά τρόπον ώστε τα αέρια εξαγωγής και η θερμότητα που παράγονται να:

- Μην εξάγονται απευθείας στο πρόσωπο του χρήστη
- Απομακρύνονται, ει δυνατόν, μέσω εξαερισμού εκτός κτιρίου

Περιορισμοί στη δημιουργία αντιγράφων

Να τηρείτε τους παρακάτω περιορισμούς για να διασφαλίζετε την υπεύθυνη και νόμιμη χρήση αυτού του εκτυπωτή.

Η δημιουργία αντιγράφων των παρακάτω στοιχείων απαγορεύεται δια νόμου

- Χαρτονομίσματα, κέρματα, κρατικοί εμπορεύσιμοι τίτλοι, κρατικοί ομολογιακοί τίτλοι και δημοτικά χρεόγραφα
- Μη χρησιμοποιημένα γραμματόσημα, προπληρωμένες ταχυδρομικές κάρτες και άλλα επίσημα ταχυδρομικά αντικείμενα που φέρουν έγκυρα ταχυδρομικά τέλη
- Κρατικά χαρτόσημα και ομολογιακοί τίτλοι που έχουν εκδοθεί νομίμως

Σημαντικές οδηγίες

Να επιδεικνύεται ιδιαίτερη προσοχή κατά τη δημιουργία αντιγράφων των παρακάτω

- ❑ Ιδιωτικοί εμπορεύσιμοι τίτλοι (αποδεικτικά κυριότητας μετοχών, μη εκχωρητέα γραμμάτια, επιταγές κτλ.), μηνιαία πάσα, μειωμένα εισιτήρια κτλ.
- ❑ Διαβατήρια, άδειες οδήγησης, πιστοποιητικά καταλληλότητας, άδειες οδικής διέλευσης, πιστοποιητικά πριμοδότησης με τη μορφή επισιτιστικής βοήθειας, εισιτήρια κτλ.

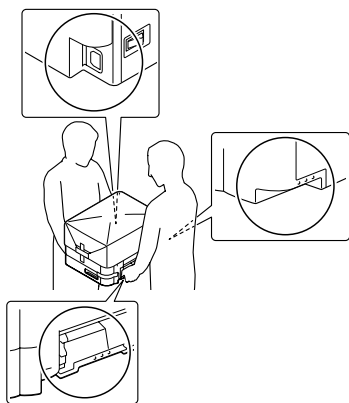
Υπεύθυνη χρήση υλικού που προστατεύονται από δικαιώματα πνευματικής ιδιοκτησίας

Ο εκτυπωτής μπορεί να χρησιμοποιηθεί λανθασμένα ή δολίως για την παράνομη αντιγραφή υλικού που προστατεύεται από δικαιώματα πνευματικής ιδιοκτησίας. Πρέπει να ενεργείτε υπεύθυνα όταν αντιγράφετε υλικό που προστατεύεται από δικαιώματα πνευματικής ιδιοκτησίας, λαμβάνοντας την άδεια του κατόχου των δικαιωμάτων ή συμβουλευόμενοι έναν εξειδικευμένο δικηγόρο.

Pomembna navodila

Pomembna navodila**Pomembna varnostna navodila****Nastavljanje tiskalnika**

- ❑ Ker je teža tiskalnika približno 27,5 kg za model N ali 28,3 kg za model DN skupaj z nameščenim potrošnim materialom, ga ena oseba ne sme sama dvigniti ali prenašati. Tiskalnik naj prenašata dve osebi tako; da ga dvignita pravilno na mestih, ki so prikazana spodaj.



- ❑ Med prenašanjem naj bo tiskalnik vedno v vodoravnem položaju.
- ❑ Če vtikača ne morete vstaviti v vtičnico, se posvetujte z električarjem.
- ❑ Ne priključujte na brezprekinitveni vir napajanja. Če tega ne upoštevate, lahko pride do napak ali škode.
- ❑ Prepričajte se, da je električni kabel skladen z lokalnim varnostnimi standardi. Uporabljajte samo izdelku priloženi napajalni kabel. Uporaba drugega napajalnega kabla lahko povzroči požar ali električni udar. Napajalni kabel tega izdelka je namenjen samo za uporabo s tem izdelkom. Uporaba z drugo opremo lahko poveča tveganje za nastanek požara ali električnega udara.
- ❑ Če je vtikač poškodovan, zamenjate kabel ali se posvetujte s kvalificiranim električarjem. Če so v vtikaču varovalke, se prepričajte, da ste jih zamenjali z varovalkami pravilne velikosti in nazivne vrednosti.

- ❑ Uporabite ozemljeno električno vtičnico, ki se ujema z vtičem napajalnega kabla tiskalnika. Ne uporabljajte adapterja za vtič.
- ❑ Ne uporabljajte električne vtičnice, ki jo nadzira stensko stikalo ali regulator samodejnega izklopa. Nenamerna prekinitvev napajanja lahko izbriše dragocene podatke v pomnilniku vašega računalnika in tiskalnika.
- ❑ Poskrbite, da na vtičnici ni prahu.
- ❑ Poskrbite, da vstavite vtikač v celoti v vtičnico.
- ❑ Vtikača se ne dotikajte z mokrimi rokami.
- ❑ Izključite tiskalnik iz vtičnice in zaupajte popravilo usposobljenim serviserjem, v naslednjih primerih:

A.	Ne uporabljajte električnega kabla, ki je poškodovan.
B.	Če ste ga polili s tekočino.
C.	Če je naprava prišla v stik z dežjem ali vodo.
D.	Naprava ne deluje pravilno, kljub upoštevanju vseh navodil za uporabo. Nastavljajte samo tiste elemente za upravljanje, ki jih omenjajo navodila za uporabo, saj lahko nepravilno nastavljanje drugih elementov za upravljanje povzroči škodo, ki lahko pogosto zahteva obsežno popravilo, ki ga mora izvesti usposobljen tehnik, da povrne običajno delovanje izdelka.
E.	Naprava je padla na tla oziroma je poškodovana.
F.	Če opazite velik padec zmogljivostjo, ki lahko zahteva servisno popravilo.

- ❑ Izogibajte se uporabi vtičnic, na katere so priklopljeni tudi drugi aparati.
- ❑ Vso opremo priključite na ustrezno ozemljene omrežne vtičnice. Izogibajte se uporabi vtičnic na tokokrogu, ki ga uporablja tudi fotokopirni stroj ali klimatska naprava, ki se redno vklaplja in izklaplja.
- ❑ Uporabite zidno električno vtičnico, ki lahko ustreza zahtevam tiskalnika. Zahteve za električno napajanje so navedene na nalepki, ki je prilepljena na tiskalnik. Če niste prepričani, katera vrsto napajanja je potrebna, se posvetujte z lokalnim podjetjem za distribucijo električne energije.

Pomembna navodila

- ❑ Če za napajanje uporabljate podaljšek, zagotovite, da električni tok (vrednost v amperih) vseh naprav, priključenih na podaljšek, ne presega dovoljene vrednosti za podaljšek.
- ❑ Ko boste priključili ta izdelek na računalnik ali drugo napravo s kablom, poskrbite, da bodo priključki usmerjeni pravilno. Vsak priključek lahko priključite samo na en način. Vstavljanje priključka nepravilno lahko poškoduje obe napravi, ki sta povezani s kablom.
- ❑ Uporabljajte le take dodatne izdelke, kot so kasete za papir in stojalo za tiskalnik, ki so izdelani posebej za ta izdelek. Če uporabite dodatne izdelke, ki so namenjeni za druge izdelke, lahko izdelek pade in koga poškoduje.

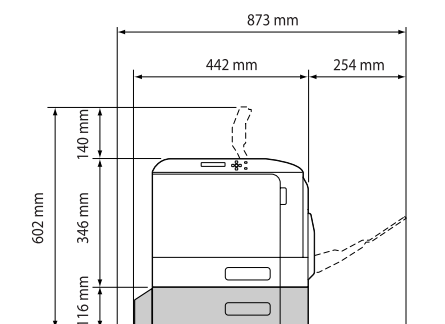
Izbira prostora, kjer boste postavili tiskalnik

Ko boste premeščali tiskalnik, vedno izberite mesto, ki ima dovolj prostora za preprosto delovanje in vzdrževanje. Spodnjo ilustracijo uporabite kot vodilo za zagotavljanje dovolj prostora okoli tiskalnika, ki bo omogočil delovanje brez težav.

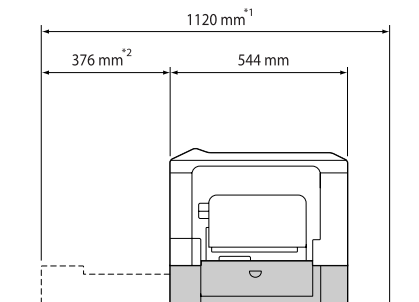
Opomba:

Številke so zaokrožene na najbližje decimalno mesto.

Pogled od spredaj



Pogled s strani



*1 1086 mm, če ni vgrajena enota z dodatno kaseto.

*2 342 mm, če ni vgrajena enota z dodatno kaseto.

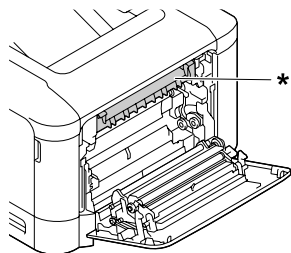
Poleg prostorskih zahtev morate, ko boste iskali primeren prostor za tiskalnik, upoštevati tudi naslednja navodila.

- ❑ Tiskalnik postavite na mesto, kjer boste lahko brez težav priklopili in odklopili napajalni kabel.
- ❑ Tiskalnika ne postavljajte na mesto, kjer lahko kdo pohodi napajalni kabel.
- ❑ Papirja ne shranjujte v vlažnem prostoru.
- ❑ Izogibajte se mestom, ki so izpostavljeni neposredni sončni svetlobi, pretirani vročini, vlagi, hlapom ali prahu.
- ❑ Izogibajte se mestom, ki so izpostavljeni neposrednemu zračnemu toku iz klimatske naprave.
- ❑ Tiskalnika ne postavljajte na nestabilne podlage.
- ❑ Reže in odprtine na hrbtni in spodnji strani na ohišju so namenjene prezračevanju. Ne blokirajte ali pokrivajte odprtin za prezračevanje. Ne postavljajte tiskalnika na posteljo, kavč, preprogo, tepih ali podobno površino, če prej niste zagotovili primerne prezračevanja.
- ❑ Celotni sistem računalnika in tiskalnika naj bo čim dlje od morebitnih virov motenj, kot so zvočniki ali bazne postaje brezvrvičnih telefonov.
- ❑ Okoli tiskalnika pustite dovolj prostora za prezračevanje.

Pomembna navodila

Uporaba tiskalnika

- ❑ Pazite, da se ne dotaknete talilnika, ki je označen z opozorilno nalepko, ali območij v njegovi neposredni bližini. Če tiskalnik uporabljate dlje, lahko talilnik (talilna valja) in okolica postanejo zelo vroči. Če se morate dotakniti teh področij, počakajte vsaj 40 minut, da se tiskalnik vsaj nekoliko ohladi.



* opozorilna nalepka

- ❑ Ne vstavljajte roke v globoko notranjosti talilne enote, da se ne poškodujete, ker so nekateri deli ostri.
- ❑ V nobenem primeru ne potiskajte predmetov skozi prezračevalne odprtine na ohišju, ker se lahko dotaknejo mest, ki so pod napetostjo, ki je lahko nevarna ali povzroči kratek stik, kar poveča možnost za nastanek požara ali električnega udara.
- ❑ Na sedite ali se naslanjajte na tiskalnik. Na tiskalnik ne postavljajte težkih predmetov.
- ❑ V tiskalniku ali njegovi bližini ne uporabljajte nikakršnih vnetljivih plinov.
- ❑ Nikoli ne vstavljajte komponent tiskalnika na silo. Čeprav je tiskalnik zasnovan trdno, ga grobo ravnanje lahko poškoduje.
- ❑ Pazite, da zataknjenega papirja ne pozabite v tiskalniku. To lahko povzroči pregrevanje tiskalnika.
- ❑ Pazite, da tiskalnika ne polijete s kakršnokoli tekočino.
- ❑ Prilagodite samo tiste krmilnike, ki so opisani v navodilih za uporabo. Nepravilne nastavitve drugih krmilnikov lahko povzročijo škodo ali okvaro, ki zahteva popravilo s strani usposobljenega serviserja.

- ❑ Tiskalnika ne izklaplajte:
 - Po vklopu tiskalnika počakajte, da se na zaslonu LCD izpiše Ready.
 - Ko utripa lučka Ready.
 - Ko sveti ali utripa lučka Data.
 - Med tiskanjem.
- ❑ Ne dotikajte se komponent v notranjosti tiskalnika, razen če to zahtevajo ta navodila.
- ❑ Upoštevajte vsa opozorila in navodila, ki so označena na tiskalniku.
- ❑ Tega izdelka ne poskušajte servisirati sami, razen v primerih, ki so izrecno opisani v dokumentaciji tiskalnika.
- ❑ Občasno izvlecite vtikač iz vtičnice in očistite konektorje.
- ❑ Vtikača ne izklaplajte, dokler je tiskalnik vključen.
- ❑ Če tiskalnika ne boste uporabljali dlje časa, izvlecite vtikač iz vtičnice.
- ❑ Pred čiščenjem tiskalnika izvlecite vtikač iz vtičnice.
- ❑ Za čiščenje uporabite čisto, suho krpo in ne uporabljajte tekočih ali aerosolnih čistil.

Delo s potrošnim materialom in deli za vzdrževanje

- ❑ Porabljenega potrošnega materiala ali delov za vzdrževanje ne sežigajte, saj lahko eksplodirajo in koga poškodujejo. Odvrzite v skladu z lokalnimi predpisi.
- ❑ Potrošni material in dele za vzdrževanje obvezno hranite zunaj dosega otrok.
- ❑ Med delom s kartušo tonerja to vedno postavite na čisto in gladko površino.
- ❑ Potrošnega materiala ali delov za vzdrževanje ne poskušajte predelovati ali razstavljati.
- ❑ Ne dotikajte se tonerja. Toner držite čim dlje od svojih oči. Če pride toner v stik s kožo ali obleko, ga takoj sperite z milom in vodo.

Pomembna navodila

- ❑ Če toner stresete na tla, uporabite metlo in smetišnico ali vlažno krpo namočeno v milnici, da tla očistite. Ker fini delci lahko povzročijo požar ali eksplozijo, če pridejo v stik z iskro, za čiščenje ne smete uporabljati sesalnika.
- ❑ Če ste kartušo za toner prinesli iz hladnega v ogret prostor, počakajte vsaj eno uro, preden jo namestite, da preprečite morebitno škodo zaradi kondenzacije.
- ❑ Da dosežete najboljšo kakovost tiska, kartuše za toner ali enote fotoprevodnika ne hranite v prostoru, ki je izpostavljen neposredni sončni svetlobi, prahu, slanemu zraku ali korozivnim plinom (kot je amonijak). Izogibajte se prostorom, kjer se temperatura ali vlažnost pretirano ali hitro spreminjata.
- ❑ Ko boste odstranili enoto fotoprevodnika, je v nobenem primeru ne izpostavite sončevi svetlobi in se izogibajte izpostavljenosti razsvetljavi v prostoru dlje kot tri minute. Enota fotoprevodnika vsebuje boben, ki je občutljiv na svetlobo. Če ga izpostavite sončni svetlobi, lahko poškodujete boben, kar povzroči temne ali svetle lise na natisnjeni strani in zmanjša življenjsko dobo bobna. Če morate enoto fotoprevodnika vzeti iz tiskalnika za daljši čas, jo pokrijte z neprosojno tkanino.
- ❑ Pazite, da ne opraskate površine bobna. Ko enoto fotoprevodnika odstranite iz tiskalnika, jo vedno postavite na čisto in gladko površino. Pazite, da se ne dotaknete bobna, ker olje na vaši koži lahko trajno poškoduje površino in tako vpliva na kakovost tiskanja.
- ❑ Ne dotikajte se prenosnih valjev na prenosnih enotah, da jih ne poškodujete.
- ❑ Pazite, da rob papirja ne zdrsi po vaši koži, saj vas lahko poreže.

Varnostne informacije

Varnostne nalepke za laser



Opozorilo:

Postopki in prilagoditve izdelka, ki niso navedeni v tiskalnikovi dokumentaciji, lahko povzročijo izpostavljenost nevarnemu sevanju. Vaš tiskalnik je laserski izdelek 1. razreda, kot je definirano v specifikacijah IEC60825. Nalepka, podobna spodaj prikazani, je prilepljena na hrbtni strani tiskalnika v državah, kjer to zahtevajo predpisi.



Notranje lasersko sevanje

V notranjosti tiskalne glave je nameščen sklop z lasersko diodo razreda III b, ki oddaja nevidni laserski žarek. Glava tiskalnika ni namenjena popravilu, torej, glave tiskalnika ne smete odpirati v nobenem primeru. V notranjosti tiskalnika je prilepljena dodatna opozorilna nalepka za laser.

Varovanje ozona

Ozonski izpusti

Laserski tiskalniki proizvajajo ozon, kot stranski proizvod postopka tiskanja. Ozon nastaja samo, ko tiskalnik tiska.

Mejna vrednost izpostavljenosti ozonu

Laserski tiskalnik Epson tvori pri neprekinjenem tiskanju manj kot 3 mg/h ozona.

Kako zmanjšati tveganje?

Da zmanjšate tveganja zaradi izpostavljenosti ozonu, se izogibajte naslednjemu:

Pomembna navodila

- Uporaba več laserskih tiskalnikov v zaprtem prostoru.
- Delovanje v okoljih z izjemno nizko vlažnostjo.
- Sobe z zelo slabim prezračevanjem.
- Daljše in nepretrgano tiskanje skupaj z naštetim zgoraj.

Postavitev tiskalnika

Tiskalnik postavite tako, da izpustni plini in vročina:

- Nista neposredno usmerjeni v obraz uporabnika.
- Prezračeni in speljani ven iz stavbe, kjerkoli je to mogoče.

Omejitve za kopiranje

Za zagotovitev odgovorne in zakonite rabe tega tiskalnika upoštevajte naslednje omejitve.

Kopiranje naslednjih predmetov je zakonsko prepovedano

- Bankovci, kovanci, s strani vlade izdani vrednostni papirji, vladne obveznice in občinske obveznice
- Nerabljene poštno znamke, razglednice z znamkami in drugi uradni poštni predmeti, ki imajo veljavno poštnino
- Kolki in vrednostni papirji, ki jih je skladno z zakoni izdala vlada

Bodite previdni, kadar kopirate naslednje predmete

- Zasebni vrednostni papirji (delnice, menice, čeki itd.), mesečne vozovnice, vrednostni boni itd.
- Potni listi, vozniška dovoljenja, spričevala o sposobnosti, prometna dovoljenja, boni za hrano, vstopnice itd.

Odgovorna raba gradiv z zaščitnimi avtorskimi pravicami

Tiskalnik je mogoče pomotoma ali nepravilno uporabiti za nezakonito kopiranje gradiv z zaščitnimi avtorskimi pravicami. Pri kopiranju gradiv z zaščitnimi avtorskimi pravicami morate ravnati odgovorno, tako da pridobite dovoljenje lastnika avtorskih pravic ali se posvetujete z odvetnikom.

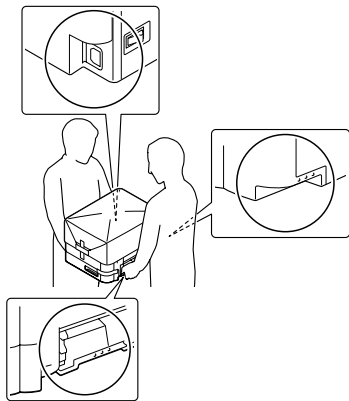
Važne upute

Važne upute

Važne sigurnosne upute

Postavljanje pisača

- ❑ Budući da pisač teži približno 27,5 kg za N model ili 28,3 kg za DN model s instaliranim potrošnim proizvodima, jedna osoba ga ne bi trebala sama podizati ni nositi. Pisač trebaju nositi dvije osobe, podižući ga na pravilnim mjestima kao što je prikazano dolje.



- ❑ Kada pomjerate pisač, uvijek ga držite vodoravno.
- ❑ Ako ne možete umetnuti AC utikač u električnu utičnicu, kontaktirajte električara.
- ❑ Nemojte spajati na izvor napajanja koji se može prekidati. Ako ga spojite, može nastupiti kvar ili šteta.
- ❑ Budite sigurni da kabl AC napajanja zadovoljava važeće lokalne sigurnosne standarde. Koristite samo kabl napajanja koji se isporučuje s ovim proizvodom. Uporaba drugog kabla može za posljedicu imati požar ili strujni udar. Kabel napajanja ovog proizvoda je namijenjen za uporabu samo s ovim proizvodom. Uporaba s drugom opremom može za posljedicu imati požar ili strujni udar.
- ❑ Ako se dogodi oštećenje utikača, zamijenite cijeli kabl ili konzultirajte kvalificiranog električara. Ako u utikaču postoje osigurači, uvjerite se da ste ih zamijenili osiguračima ispravne veličine i klase.

- ❑ Koristite uzemljene utičnice koji odgovaraju utikaču napajanja pisača. Nemojte koristiti utikač adapter.
- ❑ Izbjegavajte uporabu električne utičnice koja je kontrolirana zidnim prekidačima ili automatskim tajmerima. Slučajni prekid napajanja može izbrisati vrijedne informacije u memoriji vašeg računala i vašeg pisača.
- ❑ Uvjerite se da nema prašine na utičnici.
- ❑ Budite sigurni da ste utikač u potpunosti umetnuli u električnu utičnicu.
- ❑ Ne dodirujte utikač vlažnim rukama.
- ❑ Iskopčajte pisač iz zidne utičnice i prepustite servisiranje predstavniku kvalificiranog servisa pod sljedećim uvjetima:

A.	Kada je kabl napajanja ili utikač oštećen ili pohaban.
B.	Ako je u njega prolivena tekućina.
C.	Ako je bio izložen kiši ili vodi.
D.	Ako ne radi normalno kada se prate upute za rad. Podesite samo one kontrole koje su pokrivene uputama za rad, budući da nepravilno podešavanje drugih kontrola može imati za posljedicu oštećenje i često će zahtijevati obiman rad kvalificiranog tehničara kako bi se ponovno uspostavio normalan rad proizvoda.
E.	Ako je bio ispušten ili ako je kućište bilo oštećeno.
F.	Ako pokazuje izrazitu promjenu učinka, ukazujući na potrebu servisiranja.

- ❑ Izbjegavajte dijeljenje utičnica s drugim uređajima.
- ❑ Priključite svu opremu na pravilno uzemljene električne utičnice. Izbjegavajte uporabu utičnica na istom strujnom krugu s uređajima za fotokopiranje ili sustavima kontrole zraka koje se redovito uključuju i isključuju.

Važne upute

- ❑ Priključite vaš pisač na električnu utičnicu koja zadovoljava zahtjeve napajanja ovog pisača. Zahtjevi napajanja vašeg pisača su naznačeni na etiketi pričvršćenoj na pisač. Ako niste sigurni glede specifikacija izvora napajanja u vašem području, kontaktirajte vašeg lokalnog elektrodistributera ili konzultirajte vašeg prodavača.
- ❑ Ako koristite produžni kabl, uvjerite se da ukupne deklarirane amperaže proizvoda priključenih na produžni kabl ne prekoračuju deklariranu amperazu produžnog kabla.
- ❑ Kada priključujete ovaj proizvod na računalo ili drugi uređaj pomoću kabla, osigurajte pravilnu orijentaciju priključaka. Svaki priključak ima samo jednu pravilnu orijentaciju. Umetanje priključka pri pogrešnoj orijentaciji može oštetiti oba uređaja povezana kablom.
- ❑ Koristite samo opcionalne proizvode, kao što su ladice za papir i stalak za pisač koji su proizvedeni specifično za ovaj proizvod. Uporaba opcija proizvedenih za druge proizvode može dovesti do toga da proizvod padne i povrijedi nekog.

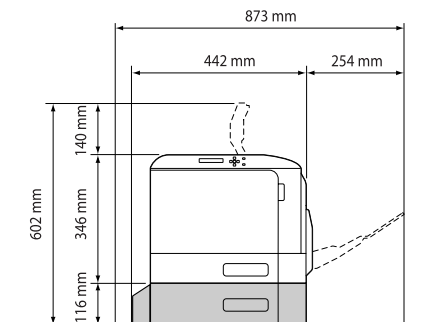
Pronalaženje mjesta za pisač

Kada premještate pisač, uvijek izaberite mjesto koje ima dovoljno prostora za lako rukovanje i održavanje. Uporabite sljedeću ilustraciju kao vodič za količinu prostora potrebnu oko pisača kako bi se osiguralo rukovanje bez teškoća.

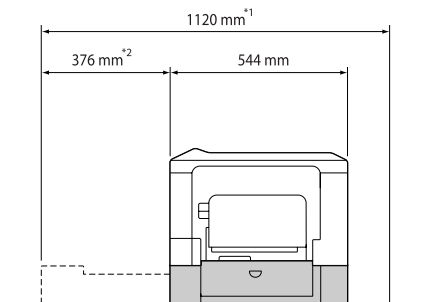
Napomena:

Brojevi su zaokruženi na najbliže decimalno mjesto.

Pogled srijeda



Bočni prikaz



*1 1086 mm ako opcionalna jedinica ladice za papir nije instalirana.

*2 342 mm ako opcionalna jedinica ladice za papir nije instalirana.

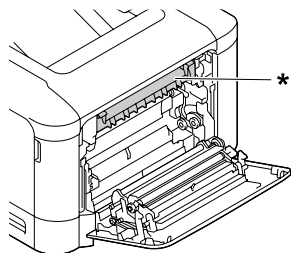
Dodatno razmatranjima glede prostora, uvijek obratite pažnju na sljedeće mjere predostrožnosti kada tražite mjesto gdje ćete postaviti pisač:

- ❑ Postavite pisač blizu električne utičnice gdje lako možete ukopčati i iskopčati kabl napajanja.
- ❑ Nemojte postaviti vaš pisač na mjesto na kojem se može nagaziti na kabl.
- ❑ Nemojte koristiti pisač u vlažnom okruženju.
- ❑ Izbjegavajte mjesta koja su izložena izravnoj sunčevoj svjetlosti, prekomjernoj toploti, vlazi, uljnim isparenjima ili prašini.
- ❑ Izbjegavajte mjesta koja su izložena zraku koji dolazi izravno iz klima uređaja.
- ❑ Nemojte stavljati pisač na nestabilnu površinu.
- ❑ Utori i otvori na kućištu i na stražnjoj ili donjoj strani su predviđeni za ventilaciju. Nemojte ih blokirati ili prekriti. Ne postavljajte pisač na krevet, sof, sag ili drugu sličnu površinu ili na ugrađenu instalaciju ako nije osigurana pravilna ventilacija.
- ❑ Držite cjelokupan sustav računala i pisača dalje od potencijalnih izvora ometanja, kao što su zvučnici na baznim jedinicama bežičnih telefona.
- ❑ Ostavite odgovarajući prostor oko pisača kako biste omogućili dovoljnu ventilaciju.

Važne upute

Korištenje pisača

- ❑ Pazite da ne dodirnete fuzer, koji je označen s oznakom opreza, ili područja koja ga okružuju. Ako je pisač bio u uporabi, fuzer i područja koja ga okružuju mogu biti vrlo vrući. Ako morate dodirnuti jedno od tih područja, prije nego što to uradite pričekajte 40 minuta kako bi se toplota smanjila.



* oznaka opreza

- ❑ Nemojte umetati ruku duboko u jedinicu fuzera, budući da su neke komponente oštre i mogu uzrokovati povredu.
- ❑ Nikad nemojte gurati predmete bilo koje vrste kroz utore na kućištu, budući da oni mogu dodirnuti opasne točke pod naponom ili izazvati kratak spoj između dijelova, što za posljedicu može imati rizik od požara ili strujnog udara.
- ❑ Nemojte sjediti niti se naslanjati na pisač. Ne stavljajte teške predmete na pisač.
- ❑ U ili oko pisača nemojte koristiti niti jednu vrstu zapaljivih plinova.
- ❑ Nikada ne stavljajte komponente pisača na njihovo mjesto na silu. Iako je pisač dizajniran da bude robustan, grubo rukovanje ga može oštetiti.
- ❑ Ne ostavljajte zaglavljeni papir unutar pisača. To može uzrokovati pregrijavanje pisača.
- ❑ Nikad nemojte prosuti bilo koju vrstu tekućine na pisač.
- ❑ Podesite samo one kontrole koje su pokrivene uputama za rad. Nepravilno podešavanje drugih kontrola može za posljedicu imati oštećenje i može zahtijevati popravak od strane predstavnika ovlaštenog servisa.

- ❑ Nemojte isključivati pisač:
 - Nakon uključivanja pisača, pričekajte dok se na LCD panelu ne pojavi Ready.
 - Dok lampica Ready treperi.
 - Dok je lampica Data upaljena ili treperi.
 - Dok ispisujete.
- ❑ Izbjegavajte dodirivanje komponenti unutar pisača ako niste upućeni da to uradite u ovom vodiču.
- ❑ Pratite sva upozorenja i upute označene na pisaču.
- ❑ Nemojte pokušavati sami servisirati ovaj proizvod, osim kao što je izričito objašnjeno u dokumentaciji pisača.
- ❑ Povremeno isključite utikač iz električne utičnice i očistite njegove kontakte.
- ❑ Nemojte isključivati utikač iz utičnice dok je pisač uključen.
- ❑ Ako se pisač neće koristiti dulje vrijeme, isključite utikač iz električne utičnice.
- ❑ Iskopčajte ovaj pisač iz zidne utičnice prije čišćenja.
- ❑ Za čišćenje uporabite dobro iscijeđenu krpu i nemojte koristiti tečna ili aerosolna sredstva za čišćenje.

Rukovanje potrošnim proizvodima i dijelovima za održavanje

- ❑ Ne spaljujte upotrijebljene potrošne proizvode ili dijelove za održavanje jer mogu eksplodirati i ozlijediti nekoga. Odložite ih u skladu s lokalnim propisima.
- ❑ Budite sigurni da držite potrošne proizvode i dijelove za održavanje izvan dohvata djece.
- ❑ Kad rukujete spremnikom tonera, uvijek ga stavite na čistu, glatku površinu.
- ❑ Potrošne proizvode ili dijelove za održavanje nemojte pokušavati modificirati ni rastaviti.
- ❑ Ne dodirujte toner. Uvijek držite toner dalje od očiju. Ako toner dospije na vašu kožu ili odjeću, odmah ga sperite sapunom i vodom.

Važne upute

- ❑ Ako se toner prospe, uporabite metlu i lopaticu za smeće ili vlažnu krpu sa sapunom i vodom kako biste ga očistili. Budući da fine čestice mogu uzrokovati požar ili eksploziju ako dođu u kontakt s iskrom, nemojte koristiti usisivač.
- ❑ Pričekajte najmanje jedan sat prije uporabe spremnika tonera, nakon što ga prenesete iz hladne u toplu okolinu, kako biste spriječili oštećenje izazvano kondenzacijom.
- ❑ Kako biste dobili najbolju kvalitetu ispisa, nemojte pohranjivati spremnik tonera ili fotokonduktor u području izloženom izravnoj sunčevoj svjetlosti, prašini, slanom zraku ni korozivnim plinovima (kao što je amonijak). Izbjegavajte lokacije izložene ekstremnim ili naglim promjenama temperature ili vlažnosti.
- ❑ Kad vadite jedinicu fotokonduktora, uopće ju nemojte izlagati sunčevoj svjetlosti i izbjegavajte njezino izlaganje sobnoj svjetlosti dulje od tri minuta. Jedinica fotokonduktora sadrži cilindar osjetljiv na svjetlost. Izlaganje svjetlosti može oštetiti bubanj, uzrokujući pojavu tamnih ili svijetlih područja na ispisanoj stranici i skraćujući vijek uporabe bubnja. Ako imate potrebu držati jedinicu fotokonduktora izvan pisača tijekom duljih razdoblja, prekrijte ju neprozirnom tkaninom.
- ❑ Pazite da ne ogrebete površinu bubnja. Kad uklonite jedinicu fotokonduktora iz pisača, uvijek ju stavite na čistu, glatku površinu. Izbjegavajte dodirivanje bubnja, budući da masnoća s vaše kože može trajno oštetiti njegovu površinu i utjecati na kvalitetu ispisa.
- ❑ Ne dodirujte prijenosne valjke na jedinicama za prijenos kako se ne bi oštetili.
- ❑ Ne dopustite da vam rub papira sklizne preko kože jer vas rub papira može posjeći.

Sigurnosne informacije

Etikete vezane za sigurnost pri korištenju lasera



Upozorenje:

Izvođenje postupaka i podešavanja, osim onih koji su precizirani u dokumentaciji pisača, može za posljedicu imati izlaganje opasnom zračenju. Vaš pisač je laserski proizvod klase 1 kao što je definiran u IEC60825 specifikacijama. Oznaka slična onoj koja je prikazana dolje je pričvršćena na stražnji dio pisača u državama gdje je to potrebno.



Unutarnje lasersko zračenje

U sklopu glave pisača se nalazi sklop laserske diode klase III b koji ima nevidljivi laserski snop. Jedinica glave pisača NIJE STVAR KOJA SE SERVISIRA, stoga, jedinica glave pisača ne treba biti otvarana ni pod kojim okolnostima. Dodatna etiketa s upozorenjem glede lasera je pričvršćena u unutrašnjosti pisača.

Sigurnost vezana za ozon

Emisija ozona

Laserski pisači generiraju plin ozon kao sporedni proizvod postupka ispisa. Ozon se proizvodi samo kada pisač ispisa.

Ograničenje izlaganja ozonu

Epson laserski pisač generira manje od 3 mg/h uz neprestano ispisivanje.

Minimiziranje rizika

Kako biste minimizirali rizik izlaganja ozonu, trebate izbjegavati sljedeće uvjete:

Važne upute

- Uporaba više laserskih pisaa u zatvorenom prostoru
- Rad u uvjetima ekstremno niske vlažnosti
- Slaba ventilacija prostorije
- Dugo, neprestano ispisivanje zajedno s bilo čim gore navedenim

Lokacija pisaa

Pisač treba biti lociran tako da ispušni plinovi i generirana toplota:

- Ne pušu izravno u korisnikovo lice
- Budu izravno ispuštani izvan zgrade kad god je to moguće

Ograničenja u vezi s umnožavanjem

Trebate poštivati sljedeća ograničenja kako bi se osigurala odgovorna i legalna uporaba ovog pisaa.

Zakonom je zabranjeno umnožavanje sljedećih stvari

- bankovnih mjenica, kovanica, utrživih vrijednosnih papira koje je izdala vlada, vladinih obveznica i vrijednosnih papira te gradskih vrijednosnih papira
- neiskorištenih poštanskih maraka, razglednica s već nalijepljenim poštanskim markama, kao i drugih službenih poštanskih artikala koji nose važeće marke
- taksenih biljega koje je izdala vlada i vrijednosnih papira izdanih u skladu s pravnim postupcima

Budite oprezni prilikom umnožavanja sljedećih stvari

- privatnih utrživih vrijednosnih papira (dioničkih potvrda, prenosivih vrijednosnica, čekova, itd.), mjesečnih karata, karata s popustom, itd.
- putnih isprava, vozačkih dozvola, jamstava o dobrom stanju, prometnih propusnica, bonova za hranu, karata, itd.

Odgovorna uporaba materijala zaštićenih autorskim pravima

Pisač se može pogrešno ili neprikladno koristiti kako bi se ilegalno umnožavali materijali zaštićeni autorskim pravima. Morate biti odgovorni kada umnožavate materijale zaštićene autorskim pravima te dobiti dozvolu od vlasnika materijala zaštićenih autorskim pravima ili postupati sukladno savjetima upućenog odvjetnika.

تعليمات مهمة

- ❑ تأكد من عدم وجود غبار على المقبس.
- ❑ تأكد من إدخال القابس كلياً في مقبس الكهرباء.
- ❑ لا تمسك القابس بيديك مبتلئين.
- ❑ افصل هذه الطابعة من مقبس الكهرباء واطلب إجراء الخدمة لها من ممثل خدمة مؤهل في الحالات التالية:

أ.	عند تلف أو بلي كبل أو قابس الطاقة.
ب.	إذا انسكب سائل داخلها.
ج.	إذا تعرضت لمطر أو ماء.
د.	إذا لم تعمل بطريقة عادية عند اتباع تعليمات التشغيل. اضبط فقط التحكيمات التي تشملها تعليمات التشغيل حيث أن الضبط غير الصحيح لتحكيمات أخرى يمكن أن يؤدي إلى تلف الطابعة وغالباً ستحتاج إلى عمل موسع بواسطة فني مؤهل لاستعادة المنتج إلى التشغيل العادي.
هـ.	إذا سقطت أو تعرض هيكلها لتلف.
و.	إذا أظهرت تغييراً ملحوظاً في أدائها، مما يدل على احتياج إلى الخدمة.

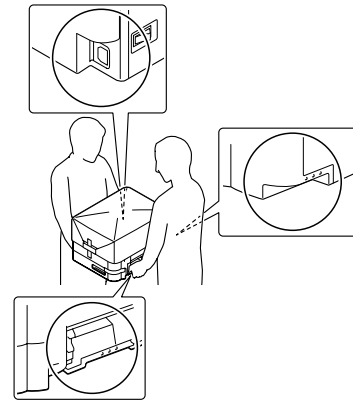
- ❑ تجنب إشراك مقباس الكهرباء مع أجهزة أخرى.
- ❑ قم بتوصيل جميع الأجهزة بمقابس الكهرباء المؤرضة بصورة صحيحة. تجنب استعمال مقابس الكهرباء المتضمنة في نفس الدائرة المستعملة فيها الناسخات الضوئية أو أنظمة تكييف الهواء التي يتم ضبطها على وضع التشغيل/الإيقاف بصورة متكررة.
- ❑ وصل الطابعة بمقبس كهرباء يفي بمتطلبات الطاقة للطابعة. متطلبات الطاقة لطابتك موضحة على البطاقة الموجودة على الطابعة. إذا لم تكن متأكدًا من مواصفات إمداد الطاقة في منطقتك، اتصل بشركة الكهرباء المحلية أو استشر الموزع.
- ❑ إذا كنت تستخدم كبل تمديد، تأكد من أن إجمالي مقننات الأمبير للمنتجات الموصلة بكبل التمديد لا يتجاوز مقنن أمبير كبل التمديد.
- ❑ عند توصيل هذا المنتج بكمبيوتر أو جهاز آخر بواسطة كبل، تأكد من الاتجاه الصحيح للموصلات. فكل موصل له اتجاه صحيح واحد فقط. إدخال موصل في الاتجاه الخاطئ يمكن أن يتلف الجهازين الموصولين بالكبل كليهما.
- ❑ استخدم فقط المنتجات الاختيارية، مثل علب الورق وحامل الطابعة، المصنعة لهذا المنتج تحديداً. استخدام خيارات مصنعة من أجل منتجات أخرى ربما يتسبب في سقوط المنتج وإصابة شخص ما.

تعليمات مهمة

تعليمات هامة للسلامة

إعداد الطابعة

- ❑ نظراً إلى أن الطابعة تزن 27.5 كجم تقريباً للموديل N أو 28.3 كجم للموديل DN مع المنتجات الاستهلاكية مركبة بها، فلا يجب أن يرفعها أو يحملها شخص واحد بمفرده. ويجب أن يحمل الطابعة أو يرفعها شخصان بالأوضاع الصحيحة كما هي موضحة أدناه.



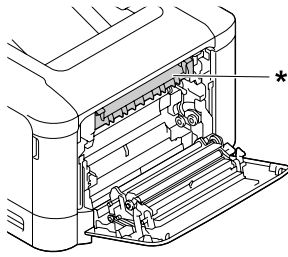
- ❑ عند نقل الطابعة، اجعلها دائماً في وضع أفقي.
- ❑ إذا لم تكن قادراً على إدخال قابس التيار المتردد في مقبس الكهرباء، اتصل بتقني كهرباء.
- ❑ لا توصل بمصدر طاقة كهربائية غير منقطعة. وإذا وصلت بواحد، فإن ذلك قد يسبب أعطالاً أو تلفاً.
- ❑ تأكد من أن كبل الطاقة للتيار المتردد يفي بمعايير السلامة المحلية المناسبة. استخدم فقط كبل الطاقة الذي يأتي مع هذا المنتج. استخدام سلك طاقة آخر يمكن أن يتسبب في حريق أو صدمة كهربائية. كبل طاقة هذا المنتج معد للاستخدام مع هذا المنتج فقط. واستخدامه مع أجهزة أخرى يمكن أن يتسبب في حريق أو صدمة كهربائية.
- ❑ إذا حدث تلف للقابس، استبدل مجموعة الكبل أو استشر تقني كهرباء مؤهل. إذا كانت هناك مصهرات في القابس، تأكد من استبدالها بمصهرات من المقاس والمقنن الصحيحين.
- ❑ استخدم مقبس كهرباء مؤرض يطابق قابس طاقة الطابعة. لا تستخدم قابس مهايئ.
- ❑ تجنب استعمال مقبس كهرباء يتم التحكم فيه بواسطة المفاتيح الجدارية أو المؤقتات التلقائية. عند وقوع انقطاع إمداد الطاقة عرضياً، يتم مسح المعلومات الهامة المحفوظة في الذاكرة المركبة في الكمبيوتر والطابعة.

تعليمات مهمة

- ❑ الفتحات والثقوب الموجودة بهيكل ومؤخرة وقاع الطابعة الغرض منها التهوية. لا تقم بسدها أو بتغطيتها. لا تضع الطابعة على سرير أو أريكة أو سجادة أو أي سطح مماثل، أو في داخل حيز ما لم تكن هناك تهوية مناسبة.
- ❑ ضع نظام الكمبيوتر والطابعة بعيداً عن مصادر التداخل اللاسلكي المحتملة، مثل السماعات أو وحدات قواعد الهواتف اللاسلكية.
- ❑ اترك مساحة كافية حول الطابعة لضمان التهوية الكافية.

استعمال الطابعة

- ❑ احذر لمس المصهر، المميز بملصق تنبيه، أو المناطق المحيطة به. إذا كانت الطابعة قيد الاستخدام، فإن وحدة التثبيت والمناطق المحيطة بها تكون ساخنة جداً. إذا كان لا بد أن تلمس إحدى تلك المناطق، انتظر لمدة 40 دقيقة إلى أن تنخفض الحرارة قبل لمسها.



* ملصق التنبيه

- ❑ لا تقم بإدخال يدك عميقاً في وحدة التثبيت لأن بعض المكونات ساخنة وتؤدي إلى إصابة
- ❑ لا تدخل أعضا من أي نوع من خلال فتحات الهيكل حيث أنها يمكن أن تلمس نقاطاً ذات فولتية خطيرة أو تؤدي إلى حدوث تماس في الدائرة الكهربائية مما يسبب حريقاً أو صدمة كهربائية.
- ❑ لا تجلس أو تسند على الطابعة. ولا تضع أعضا ثقيلة على الطابعة.
- ❑ لا تستخدم أي نوع من الغازات القابلة للاحتراق داخل أو حول الطابعة.
- ❑ لا تستخدم القوة لتركيب المكونات في مكانها. ورغم أن الطابعة مصممة لتكون متينة، فإن التعامل معها بعنف يمكن أن يتلفها.
- ❑ لا تترك الورق المحشور داخل الطابعة. فذلك يمكن أن يسبب سخونة الطابعة المفرطة.
- ❑ لا تسكب أبداً سائلاً من أي نوع على الطابعة.

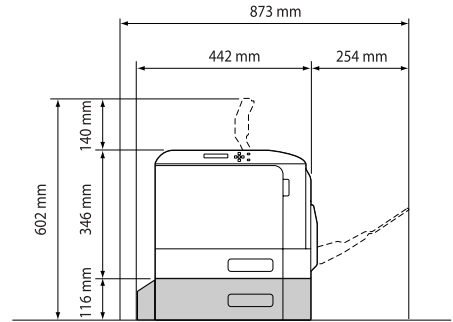
إيجاد المكان الذي يتم عليه تركيب الطابعة

عند إعادة تركيب الطابعة، قم دائماً باختيار المكان ذي المساحة اللازمة لتشغيلها وصيانتها بسهولة. قم باستعمال الشكل التوضيحي التالي كدليل للمساحة اللازمة حول الطابعة لضمان التشغيل السلس.

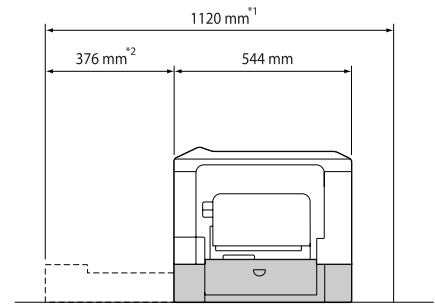
ملاحظة:

تكون الأرقام مقربة إلى أقرب علامة عشرية.

المنظر الأمامي



المنظر الجانبي



^{1*} 1086 مم إذا لم تكن وحدة علبة الورق الاختيارية مركبة.

^{2*} 342 مم إذا لم تكن وحدة علبة الورق الاختيارية مركبة.

بالإضافة إلى الاعتبارات المتعلقة بالمساحة، قم باتباع التنبيهات الاحتياطية التالية عند إيجاد المكان الذي سيتم عليه تركيب الطابعة.

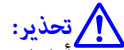
- ❑ ضع الطابعة بالقرب من مقبس كهرباء حيث يمكنك توصيل وفصل كبل الطاقة بسهولة.
- ❑ لا تضع الطابعة بمكان تدوس فيه بقدمك كبل الطاقة.
- ❑ لا تستخدم هذه الطابعة في بيئة رطبة.
- ❑ تجنب المواقع التي تكون عرضة لضوء الشمس المباشر أو الحرارة المفرطة أو الرطوبة أو أبخرة الزيوت أو الغبار.
- ❑ تجنب المواقع التي تكون معرضة للهواء الذي يأتي مباشرة من مكيف هواء.
- ❑ لا تضع الطابعة على سطح غير مستقر.

تعليمات مهمة

- ❑ إذا انسكب مسحوق الحبر، استخدم مقشة وجروف أو قطعة قماش مبللة بالماء والصابون لتنظيفه. ولأن الجزيئات الدقيقة يمكن أن تسبب حرقاً أو انفجاراً إذا لامسها شرر، فلا تستخدم المكنتسة الكهربائية.
- ❑ انتظر لمدة ساعة واحدة على الأقل قبل استخدام خرطوشة مسحوق الحبر بعد نقلها من بيئة معتدلة البرودة إلى بيئة دافئة للحيلولة دون تلفها بسبب التكاثف.
- ❑ للحصول على أفضل جودة طباعة، لا تخزن خرطوشة مسحوق الحبر أو وحدة الموصل الضوئي في منطقة تكون معرضة لضوء الشمس المباشر أو الغبار أو الهواء الملحي أو الغازات المسببة للتآكل (مثل الأمونيا). تجنب المواقع التي تكون عرضة لتغيرات سريعة في درجة الحرارة أو الرطوبة.
- ❑ عند فك وحدة الموصل الضوئي، لا تعرضها لضوء الشمس مطلقاً وتجنب تعريضها لضوء الغرفة لأكثر من 3 دقائق. فوحدة الموصل الضوئي تحتوي على أسطوانة حساسة للضوء. وتعريضها للضوء يمكن أن يتلف الأسطوانة، مما يتسبب في ظهور أجزاء داكنة أو باهتة في الصفحة المطبوعة ويقلل عمر استخدام الأسطوانة. وإذا كنت تحتاج إلى الاحتفاظ بوحدة الموصل الضوئي خارج الطباعة لفترات طويلة، غطها بقماش غير شفاف.
- ❑ احذر خدش سطح الأسطوانة. عندما تفك وحدة الموصل الضوئي من الطباعة، ضعها دائماً على سطح نظيف ناعم. وتجنب لمس الأسطوانة، حيث أن الزيت من جلدك يمكن أن يتلف سطحها نهائياً ويؤثر على جودة الطباعة.
- ❑ لا تلمس بكرات النقل في وحدات النقل لتجنب إتلافها.
- ❑ لا تجعل حافة الورق تنزلق على جلدك لأن حافة الورق يمكن أن تجرحك.

معلومات السلامة

بطاقات ضمان السلامة من الليزر



تحذير:

أداء إجراءات وضبطات بخلاف تلك المحددة في هذا الدليل يمكن أن يتسبب في تعرضك إلى إشعاع خطر. تعتبر طابعتك منتجاً ليزرياً من الفئة Class 1 التي تم تحديدها بالمواصفات IEC60825. يكون الملصق المماثل لذلك الموضح أدناه مثبتاً على ظهر الطباعة في البلدان التي تتطلب ذلك.



- ❑ اضبط فقط هذه التحكمات التي تشملها تعليمات التشغيل. الضبط غير الصحيح للتحكمات أخرى يمكن أن يؤدي إلى تلف الطباعة وقد ستحتاج إلى تصليح بواسطة ممثل خدمة مؤهل.
- ❑ لا توقف تشغيل الطباعة:
- بعد تشغيل الطباعة، انتظر إلى أن تظهر  في شاشة LCD.
- بينما جاهزة تومض.
- بينما Data تضيء أو تومض.
- أثناء عملية الطباعة.
- ❑ تجنب لمس المكونات داخل الطباعة ما لم توجهك التعليمات في هذا الدليل إلى عمل ذلك.
- ❑ اتبع جميع التحذيرات والتعليمات المكتوبة على الطباعة.
- ❑ باستثناء ما هو موضح تحديداً في دليل هذه الطباعة، لا تحاول إجراء خدمة هذا المنتج بنفسك.
- ❑ افصل القابس في فترات منتظمة من مقبس الكهرباء وقم بتنظيف الريشات.
- ❑ لا تقم بفصل القابس عن الطباعة أثناء تشغيلها.
- ❑ إذا كانت الطباعة لن تستخدم لوقت طويل، افصل القابس من مقبس الكهرباء.
- ❑ افصل هذه الطباعة عن مقبس الكهرباء الجداري قبل تنظيفها.
- ❑ استخدم قطعة قماش معصورة جيداً للتنظيف ولا تستخدم المنظفات السائلة أو منظفات عبوات البخاخات.

التعامل مع المنتجات الاستهلاكية وقطع الصيانة.

- ❑ لا تحرق المنتجات الاستهلاكية المستعملة أو قطع الصيانة لأنها قد تنفجر وتصيب شخصاً ما. تخلص منها وفقاً للقوانين المحلية.
- ❑ تأكد من الاحتفاظ بالمنتجات الاستهلاكية وقطع الصيانة بعيداً عن متناول الأطفال.
- ❑ عند التعامل مع خرطوشة مسحوق الحبر، ضعها دائماً على سطح نظيف وناعم.
- ❑ لا تحاول تعديل أو تفكيك المنتجات الاستهلاكية أو قطع الصيانة.
- ❑ لا تلمس مسحوق الحبر. لا تقرب مسحوق الحبر أبداً من عينيك. وإذا طال مسحوق الحبر جلدك أو ملابسك، اغسله بالصابون والماء فوراً.

تعليمات مهمة

- ❑ الأوراق النقدية والعملات والسندات المالية القابلة للتسويق التي تصدرها الحكومة والسندات الحكومية وسندات البلديات
- ❑ طوابع البريد غير المستعملة والبطاقات البريدية مدفوعة رسوم البريد مسبقاً وغير ذلك من أوراق البريد الرسمية التي تحمل طوابع بريد مقبولة
- ❑ التمغات التي تصدرها الحكومة والسندات التي تصدر بناء على إجراء قانوني

كن على حذر عند عمل نسخ للبنود التالية

- ❑ السندات الخاصة القابلة للتسويق (سندات الأوراق المالية، كميالات قابلة للتداول، شيكات، إلخ)، تصاريح المرور الشهرية، والتذاكر المخفضة، إلخ.
- ❑ جوازات السفر، رخص القيادة، ضمان صلاحية السيارة للقيادة، تصاريح الطريق، كوبونات الطعام، التذاكر، إلخ.

الاستخدام المسؤول للمواد محفوظة الحقوق

من الجائز استخدام الطابعة عن طريق الخطأ أو على نحو خاطئ لنسخ مواد محفوظة الحقوق بما يخالف القانون. ويجب عليك أن تتصرف بمسؤولية عند نسخ مواد محفوظة الحقوق؛ بطلب إذن من صاحب حقوق النشر أو التصرف بناء على نصيحة محام مطلع.

إشعاع الليزر الداخلي

توجد في وحدة رأس الطابعة مجموعة دايمود (مصباح ثنائي) ليزر من الفئة الثالثة (III b) ذات إشعاع ليزر غير مرئي. وحدة رأس الطابعة ليست بنداً يمكن خدمته، لذلك، فإن وحدة رأس الطابعة لا يجب فتحها مطلقاً. بطاقة التحذير الإضافية من الليزر مثبتة على الجزء الداخلي من الطابعة.

ضمان السلامة من الأوزون

انبعاث الأوزون

يتولد غاز الأوزون بواسطة طابعات الليزر كمنتج ثانوي لعملية الطابعة. وينتج الأوزون أثناء عملية الطابعة فقط.

حد التعرض للأوزون

تولد طابعة Epson الليزر أقل من 3 ملجم/ساعة من الغاز أثناء الطابعة المتواصلة.

تحجيم الخطر

لتحجيم خطر التعرض للأوزون، يجب أن تتجنب الظروف التالية:

- ❑ استخدام طابعات ليزرية متعددة في مساحة ضيقة.
- ❑ التشغيل في ظروف رطوبة شديدة الانخفاض
- ❑ التهوية السيئة للغرفة
- ❑ الطابعة المتواصلة لفترة طويلة في ظل أي من الظروف أعلاه

موقع الطابعة

يجب وضع الطابعة في مكان بحيث تكون غازات العادم والحرارة المتولدة:

- ❑ لا تنفخ مباشرة في وجه المستخدم
- ❑ تهويتها مباشرة خارج المبنى كلما أمكن

القيود على عمل النسخ

اتباع القيود التالية لكي تضمن الاستعمال المسؤول والقانوني لهذه الطابعة.

يحظر القانون عمل نسخ للبنود التالية