



EPSON **AcuLaser M8000 Series**

User's Guide

NPD3936-00 EN

Copyright and Trademarks

No part of this publication may be reproduced, stored in a retrieval system, or transmitted in any form or by any means, mechanical, photocopying, recording, or otherwise, without the prior written permission of Seiko Epson Corporation. No patent liability is assumed with respect to the use of the information contained herein. Neither is any liability assumed for damages resulting from the use of the information contained herein.

Neither Seiko Epson Corporation nor its affiliates shall be liable to the purchaser of this product or third parties for damages, losses, costs, or expenses incurred by purchaser or third parties as a result of: accident, misuse, or abuse of this product or unauthorized modifications, repairs, or alterations to this product, or (excluding the U.S.) failure to strictly comply with Seiko Epson Corporation's operating and maintenance instructions.

Seiko Epson Corporation and its affiliates shall not be liable against any damages or problems arising from the use of any options or any consumable products other than those designated as Original Epson Products or Epson Approved Products by Seiko Epson Corporation.

Features Zoran Corporation Integrated Print System (IPS) for print language emulation.



NEST Office Kit Copyright © 1996, Novell, Inc. All rights reserved.

A part of the ICC Profile contained within this product was created by Gretag Macbeth ProfileMaker. Gretag Macbeth is the registered trademark of Gretag Macbeth Holding AG Logo. ProfileMaker is a trademark of LOGO GmbH.

IBM and PS/2 are registered trademarks of International Business Machines Corporation.

Microsoft®, Windows®, and Windows Vista® are registered trademarks of Microsoft Corporation.

Apple®, Macintosh®, Mac®, Mac OS®, AppleTalk®, and Bonjour® are registered trademarks of Apple, Inc. Apple Chancery, Chicago, Geneva, Hoefler Text, Monaco and New York are trademarks or registered trademarks of Apple, Inc.

EPSON and EPSON ESC/P are registered trademarks and EPSON AcuLaser and EPSON ESC/P 2 are trademarks of Seiko Epson Corporation.

Monotype is a trademark of Monotype Imaging, Inc. registered in the United States Patent and Trademark Office and may be registered in certain jurisdictions.

The UFST® (Universal Font Scaling Technology™) product is Monotype Imaging's scalable font rendering subsystem for printer devices.

MicroType® font compression technology from Monotype Imaging works with the UFST® font rendering subsystem to significantly reduce font file sizes.

Monotype Imaging's MicroType® font format is a MicroType-compressed font format.

CG Omega, CG Times, Garamond Antiqua, Garamond Halbfett, Garamond Kursiv, Garamond Halbfett Kursiv are trademarks of Monotype Imaging, Inc. and may be registered in certain jurisdictions.

Scalable type outlines are licensed from Monotype Imaging, Inc.

Albertus, Arial, Coronet, Gillsans, and Times New Roman are trademarks of The Monotype Corporation registered in the United States Patent and Trademark Office and may be registered in certain jurisdictions.

ITC Avant Garde Gothic, ITC Bookman, ITC Zapf-Chancery, and ITC ZapfDingbats are trademarks of International Typeface Corporation registered in the United States Patent and Trademark Office and may be registered in certain jurisdictions.

Clarendon, Helvetica, Palatino, Times and Univers are registered trademarks of Heidelberger Druckmaschinen AG, which may be registered in certain jurisdictions, exclusively licensed through Linotype Library GmbH, a wholly owned subsidiary of Heidelberger Druckmaschinen AG.

Wingdings is a registered trademark of Microsoft Corporation in the United States and other countries.

Marigold is a trademark of Arthur Baker and may be registered in some jurisdictions.

Antique Olive is a trademark of Marcel Olive and may be registered in certain jurisdictions.

HP and HP LaserJet are registered trademarks of the Hewlett-Packard Company.

PCL is a registered trademark of Hewlett-Packard Company.

Adobe, the Adobe logo and PostScript3 are trademarks of Adobe Systems Incorporated, which may be registered in certain jurisdictions.

CompactFlash is a trademark of SanDisk Corporation, registered in the United States and other countries.

General Notice: Other product names used herein are for identification purposes only and may be trademarks of their respective owners. Epson disclaims any and all rights in those marks.

Copyright © 2008 Seiko Epson Corporation. All rights reserved.

Operating System Versions

In this manual, the following abbreviations are used.

Windows refers to Windows Vista, Vista x64, XP, XP x64, 2000, Server 2008, Server 2008 x64, Server 2003, and Server 2003 x64.

- ❑ Windows Vista refers to Windows Vista Ultimate Edition, Windows Vista Home Premium Edition, Windows Vista Home Basic Edition, Windows Vista Enterprise Edition and Windows Vista Business Edition.
- ❑ Windows Vista x64 refers to Windows Vista Ultimate x64 Edition, Windows Vista Home Premium x64 Edition, Windows Vista Home Basic x64 Edition, Windows Vista Enterprise x64 Edition and Windows Vista Business x64 Edition.
- ❑ Windows XP refers to Windows XP Home Edition and Windows XP Professional.
- ❑ Windows XP x64 refers to Windows XP Professional x64 Edition.
- ❑ Windows 2000 refers to Windows 2000 Professional.
- ❑ Windows Server 2008 refers to Windows Server 2008 Standard Edition and Windows Server 2008 Enterprise Edition.
- ❑ Windows Server 2008 x64 refers to Windows Server 2008 x64 Standard Edition and Windows Server 2008 x64 Enterprise Edition.
- ❑ Windows Server 2003 refers to Windows Server 2003 Standard Edition and Windows Server 2003 Enterprise Edition.
- ❑ Windows Server 2003 x64 refers to Windows Server 2003 x64 Standard Edition and Windows Server 2003 x64 Enterprise Edition.

Contents

Safety Instructions

Warnings, Cautions, and Notes.	13
Important Safety Instructions.	13
Setting up the printer.	13
Earth leakage circuit protector.	15
Finding the place for the printer.	17
Using the printer.	18
Handling the consumables.	20
Safety Information.	21
Laser safety labels.	21
Internal laser radiation.	21
Ozone safety.	21

Chapter 1 Getting to Know Your Printer

Printer Parts.	23
Front view.	23
Rear view.	24
Inside the printer.	25
Control panel.	25
Options and Consumable Products.	26
Options.	26
Consumable products.	27
Where to Find Information.	27
Printer Features.	28
Large paper input/output capacity.	28
Sort function.	28
Security printing.	29

Chapter 2 Printing Tasks

Loading Paper into Your Printer.	30
MP tray.	30
Standard lower paper cassette.	33

Optional paper cassette unit.	38
Notes on loading A4 size paper.	38
Selecting and Using Print Media.	39
Labels.	39
Envelopes.	40
Thick paper.	41
Transparencies.	42
Custom paper size.	42
Cancelling a Print Job.	43
From the printer.	43
From the computer.	44
Setting the Print Quality.	44
Using the Automatic setting.	44
Using the Advanced setting.	45
Customizing print settings.	46
Toner Save mode.	47
Setting the Advanced Layout.	48
Duplex printing (with the Duplex Unit).	48
Output settings.	49
Modifying the print layout.	50
Resizing printouts.	51
Printing watermarks.	52
Printing headers and footers.	54
Printing with an overlay.	55
Printing with an overlay (with the storage).	58
Printing the copy-protected document.	60
Printing Web Pages to Fit Your Paper Size.	61
Using the Reserve Job Function.	62
Sending the print job.	62

Chapter 3 Using the Control Panel

Using the Control Panel Menus.	64
When to make control panel settings.	64
How to access the control panel menus.	64
How to register menus as bookmarks.	65
Control Panel Menus.	66
Information Menu.	66
System Information Menu.	68

Tray Menu.	69
Emulation Menu.	69
Printing Menu.	70
Setup Menu.	72
Reset Menu.	76
Quick Print Job Menu.	77
Confidential Job Menu.	77
Clock Menu.	77
Parallel Menu.	78
USB Menu.	79
Network Menu.	80
AUX Menu.	81
PCL Menu.	81
PS3 Menu.	82
ESCP2 Menu.	84
FX Menu.	86
I239X Menu.	88
Password Config Menu.	90
Support Menu.	90
Bookmark Menu.	91
Status and Error Messages.	92
Printing and Deleting Reserve Job Data.	104
Using the Quick Print Job Menu.	104
Using the Confidential Job Menu.	105
Printing a Configuration Status Sheet.	105
Canceling Printing.	106
Using the Cancel Job button.	106
Using the Reset menu.	107

Chapter 4 *Installing Options*

Optional Paper Cassette Unit.	108
Handling precautions.	108
Installing the optional paper cassette unit.	108
Removing the optional paper cassette unit.	117
Duplex Unit.	118
Installing the Duplex Unit.	118
Removing the Duplex Unit.	120
Stacker.	121

Installing the Stacker.	121
Removing the Stacker.	127
Memory Module.	131
Installing a memory module.	132
Removing a memory module.	137
Interface Card.	138
Installing an interface card.	138
Removing an interface card.	140
CompactFlash Memory.	140
Installing a CompactFlash memory.	140
Removing a CompactFlash memory.	145

Chapter 5 Replacing Consumable Products

Precautions During Replacement.	147
Replacement Messages.	147

Chapter 6 Cleaning and Transporting the Printer

Cleaning the Printer.	148
Cleaning the pickup roller.	149
Transporting the Printer.	153
For long distances.	153
For short distances.	154

Chapter 7 Troubleshooting

Clearing Jammed Paper.	156
Precautions for clearing jammed paper.	156
Paper Jam A (Cover A).	157
Paper Jam B A (Cover B or A).	161
Paper Jam MP A (MP tray or Cover A).	168
Paper Jam C1 A, Paper Jam C2 A, Paper Jam C3 A, Paper Jam C4 A (All paper cassettes and Cover A).	172
Paper Jam DM (Duplex Unit's cover).	181
Paper Jam STK (Stacker).	183
Printing a Configuration Status Sheet.	184
Operational Problems.	185

The Ready light does not turn on.	185
The printer does not print (Ready light off).	185
The Ready light is on but nothing prints.	185
The optional product is not available.	186
The remaining service life of the consumables is not updated (Windows only).	186
Cannot install software or drivers.	187
Cannot access the shared printer.	187
Printout Problems.	188
The font cannot be printed.	188
Printout is garbled.	188
The printout position is not correct.	188
Graphics do not print correctly.	189
Print Quality Problems.	189
The background is dark or dirty.	189
White dots appear in the printout.	190
Print quality or tone is uneven.	190
Half-tone images print unevenly.	190
Toner smudges.	191
Areas are missing in the printed image.	191
Completely blank pages are output.	192
The printed image is light or faint.	192
The non-printed side of the page is dirty.	193
Print quality decreased.	193
Memory Problems.	194
Insufficient memory for current task.	194
Insufficient memory to print all copies.	194
Paper Handling Problems.	194
Paper does not feed properly.	194
Paper cannot be output to the Stacker.	195
Problems Using Options.	195
The message Invalid AUX I/F Card appears on the LCD panel.	195
Paper does not feed from the optional paper cassette.	196
Feed jam when using the optional paper cassette.	196
An installed option cannot be used.	196
Correcting USB Problems.	196
USB connections.	197
Windows operating system.	197
Printer software installation.	197
Status and Error Messages.	198
Canceling Printing.	198

Printing in the PostScript 3 Mode Problems.	198
The printer does not print correctly in the PostScript mode.	199
The printer does not print.	199
The printer or its driver does not appear in utilities in the printer configuration (Macintosh only)	199
The font on the printout is different from that on the screen.	200
The printer fonts cannot be installed.	200
The edges of texts and/or images are not smooth.	200
The printer does not print normally via the USB interface.	200
The printer does not print normally via the network interface.	201
An undefined error occurs (Macintosh only).	201
Printing in the PCL6/5 Mode Problems.	202
The printer does not print.	202
The printer does not print correctly in the PCL mode (only for Epson PCL6 printer driver).	202
The printer does not start manual duplex printing (only for Epson PCL6 printer driver).	202
The font on the printout is different from that on the screen.	203
The edges of texts and/or images are not smooth (only for Epson PCL6 printer driver).	203
Cannot print from Citrix Presentation Server 4.5 (only for Epson PCL6 printer driver).	203

Chapter 8 About the Printer Software for Windows

Using the Printer Driver	204
Accessing the printer driver.	204
Printing a configuration status sheet.	205
Making Extended Settings.	205
Making Optional Settings.	205
Displaying consumable information.	205
Ordering Consumables.	206
Using EPSON Status Monitor.	206
Installing EPSON Status Monitor.	206
Accessing EPSON Status Monitor.	208
Detailed Status.	209
Replacement Parts Information.	210
Job Information.	211
Notice Settings.	213
Order Online.	214
Uninstalling the Printer Software.	215

Chapter 9 About the PostScript Printer Driver

System Requirements.	217
Printer hardware requirements.	217
Computer system requirements.	217
Using the PostScript Printer Driver with Windows.	218
Installing the PostScript printer driver for the parallel interface.	218
Installing the PostScript printer driver for the USB interface.	219
Installing the PostScript printer driver for the network interface.	220
Accessing the PostScript printer driver.	221
Using AppleTalk under Windows 2000.	221
Using the PostScript Printer Driver with Macintosh.	221
Installing the PostScript printer driver.	221
Selecting the printer.	222
Accessing the PostScript printer driver.	224

Chapter 10 About the PCL Printer Driver

About the PCL Mode.	226
Hardware requirements.	226
System requirements (only for Epson PCL6 printer driver).	226
Using the PCL6 Printer Driver (Only for Epson PCL6 Printer Driver).	227
Installing the PCL6 printer driver.	227
Accessing the PCL6 printer driver.	228

Appendix A Technical Specifications

Paper.	229
Available paper types.	229
Paper that should not be used.	229
Printable area.	230
Printer.	231
General.	231
Environmental.	232
Mechanical.	232
Electrical.	233
Standard and approvals.	233
Interfaces.	233
Parallel Interface.	233

USB interface.	234
Ethernet interface.	234
Options and Consumable Products.	234
Optional paper cassette unit.	234
Duplex Unit.	235
Memory modules.	235
CompactFlash memory.	236
A4 Stacker.	236
Imaging Cartridge/Return Imaging Cartridge.	236

Appendix B Where To Get Help

Contacting Customer Support.	237
Before Contacting Epson.	237
Help for Users in Europe.	237
Help for Users in Australia.	237
Help for Users in Singapore.	238
Help for Users in Thailand.	239
Help for Users in Vietnam.	239
Help for Users in Indonesia.	239
Help for Users in Hong Kong.	241
Help for Users in Malaysia.	241
Help for Users in India.	242
Help for Users in the Philippines.	243

Index

Safety Instructions

Warnings, Cautions, and Notes

**Warnings**

must be followed carefully to avoid bodily injury.

**Cautions**

must be observed to avoid damage to your equipment.

Notes

contain important information and useful tips on the operation of your printer.

Important Safety Instructions

Setting up the printer

- Because the printer weighs approximately 25 kg (55 lb) with consumable products installed, one person should not lift or carry it. Two people should carry the printer, lifting it by the correct positions as shown below.



- If you are unable to insert the AC plug into the electrical outlet, contact an electrician.

- ❑ Be sure the AC power cord meets the relevant local safety standards. Use only the power cord that comes with this product. Use of the another cord may result in fire or electric shock. This product's power cord is for use with this product only. Use with other equipment may result in fire or electric shock.
- ❑ If damage occurs to the plug, replace the cord set or consult a qualified electrician. If there are fuses in the plug, make sure you replace them with fuses of the correct size and rating.
- ❑ Use a grounded outlet that matches the printer's power plug. Do not use an adapter plug.
- ❑ Avoid using an electrical outlet that is controlled by wall switches or automatic timers. Accidental disruption of power can erase valuable information in your computer's and printer's memory.
- ❑ Make sure that there is no dust on the socket.
- ❑ Be sure to insert the plug completely into the electrical outlet.
- ❑ Do not handle the plug with wet hands.
- ❑ Unplug this printer from the wall outlet and refer servicing to a qualified service representative under the following conditions:
 - A. When the power cord or plug is damaged or frayed.
 - B. If liquid has been spilled into it.
 - C. If it has been exposed to rain or water.
 - D. If it does not operate normally when the operating instructions are followed. Adjust only those controls that are covered by the operating instructions since improper adjustment of other controls may result in damage and will often require extensive work by a qualified technician to restore the product to normal operation.
 - E. If it has been dropped or the cabinet has been damaged.
 - F. If it exhibits a distinct change in performance, indicating a need for service.
- ❑ Avoid sharing outlets with other appliances.
- ❑ Connect all equipment to properly grounded power outlets. Avoid using outlets on the same circuit as photocopiers or air control systems that regularly switch on and off.

- ❑ Connect your printer to an electrical outlet that meets the power requirements of this printer. Your printer's power requirements are indicated on a label attached to the printer. If you are not sure of the power supply specifications in your area, contact your local power company or consult your dealer.
- ❑ If you use an extension cord, make sure that the total of the ampere ratings on the products plugged into the extension cord does not exceed the extension cord ampere rating.
- ❑ When connecting this product to a computer or other device with a cable, ensure the correct orientation of the connectors. Each connector has only one correct orientation. Inserting a connector in the wrong orientation may damage both devices connected by the cable.
- ❑ When you use optional paper cassette units, be sure to install the stabilizers, which come with the optional paper cassette unit, to the bottom. See "Installing the optional paper cassette unit" on page 108 for instructions on how to install the stabilizers.

Earth leakage circuit protector

The printer has an earth leakage circuit protector on its back. If any earth leakage occurs on the printer, the protector breaks the electric circuit automatically to avoid fire or any other accidents. Be sure to ground the printer so that the protector can operate properly. Periodically (once a month) check if the protector operates properly by following the instructions below.

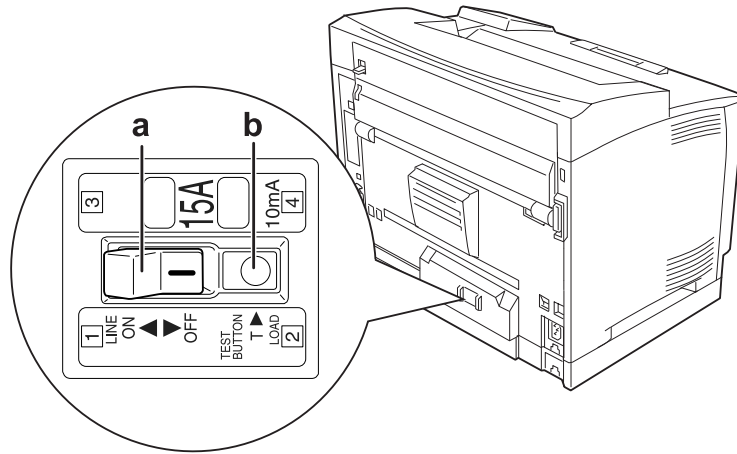
1. Turn off the printer.

Note:

Leave the power cord connected to the electrical outlet.

2. Press the **test** button. If the circuit breaker switch turns to **OFF**, the protector operates correctly.

- Turn the circuit breaker switch back to **ON**.

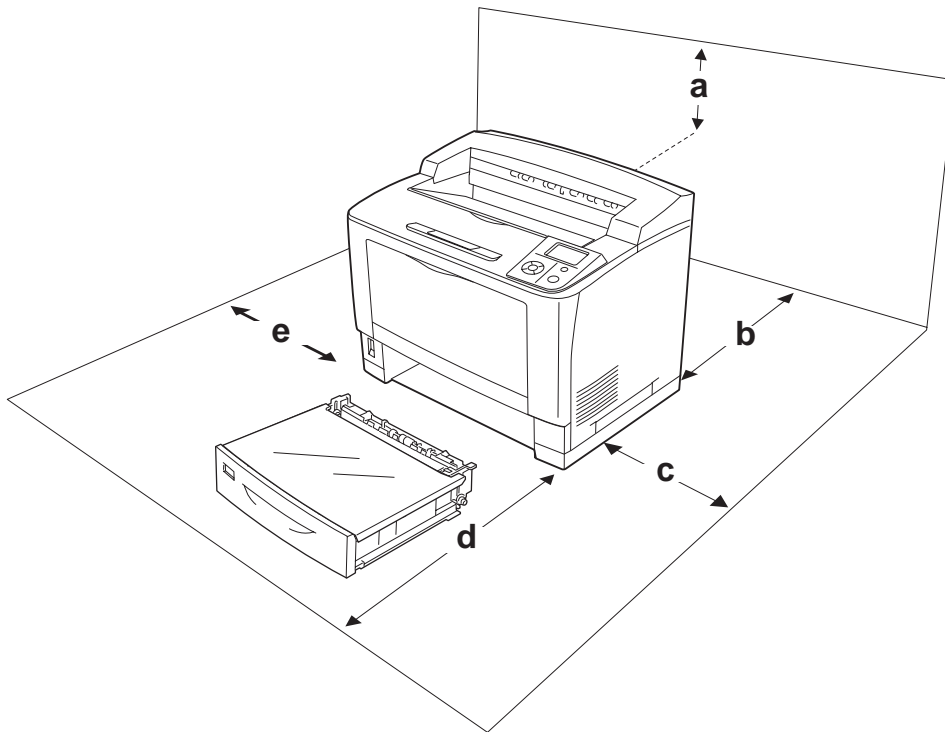


- circuit breaker switch
- test button

If you notice anything unusual, contact your local Epson dealer or representative.

Finding the place for the printer

When relocating the printer, always choose a location that has adequate space for easy operation and maintenance. Use the following illustration as a guide for the amount of space required around the printer to ensure smooth operation.



- a. 35 cm
- b. 30 cm
- c. 10 cm
- d. 76 cm
- e. 20 cm

To install and use any of the following options, you will need the indicated amount of additional space.

The 500-Sheet Universal Paper Cassette Unit adds 9.3 cm to the bottom of the printer.

The A4 Stacker adds 13.2 cm to the top of the printer.

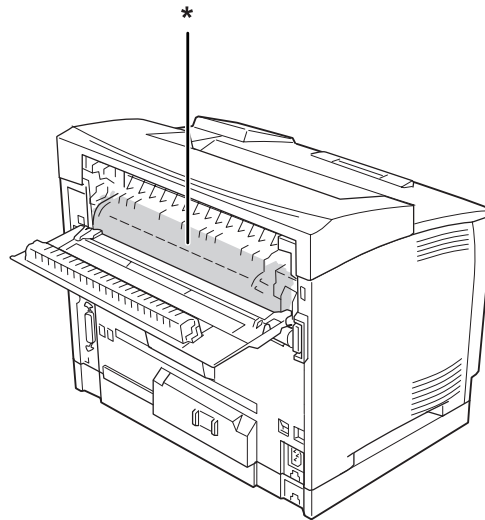
The Duplex Unit adds 8.9 cm to the back of the printer.

In addition to space considerations, always heed the following precautions when finding a place to locate the printer:

- ❑ Place the printer near an electrical outlet where you can easily plug in and unplug the power cord.
- ❑ Do not put your printer where the cord will be stepped on.
- ❑ Do not use printer in a damp environment.
- ❑ Avoid locations that are subject to direct sunlight, excessive heat, moisture, oil vapor, or dust.
- ❑ Do not place the printer on an unstable surface.
- ❑ Slots and openings in the cabinet and the back or bottom are provided for ventilation. Do not block or cover them. Do not put the printer on a bed, sofa, rug, or other similar surface or in a built-in installation unless proper ventilation is provided.
- ❑ Keep the entire computer and printer system away from potential sources of interference, such as loudspeakers or the base units of cordless telephones.
- ❑ Leave adequate room around the printer to allow for sufficient ventilation.

Using the printer

- ❑ Be careful not to touch the fuser, which is marked **CAUTION HIGH TEMPERATURE**, or the surrounding areas. If the printer has been in use, the fuser and the surrounding areas may be very hot. If you must touch one of these areas, wait 40 minutes to allow the heat to subside before doing so.



* **CAUTION HIGH TEMPERATURE**

- Do not insert your hand deep into the fuser unit as some components are sharp and may cause injury.
- Never push objects of any kind through cabinet slots as they may touch dangerous voltage points or short out parts that could result in a risk of fire or electric shock.
- Do not sit or lean on the printer. Do not put heavy objects on the printer.
- Do not use any kind of combustible gases in or around the printer.
- Never force the printer's components into place. Although the printer is designed to be sturdy, rough handling can damage it.
- Do not leave jammed paper inside the printer. This can cause the printer to overheat.
- Never spill liquid of any kind on the printer.
- Adjust only those controls that are covered by the operating instructions. Improper adjustment of other controls may result in damage and may require repair by a qualified service representative.
- Do not turn off the printer:
 - After turning on the printer, wait until Ready appears on the LCD panel.
 - While the Ready light is flashing.
 - While the Data light is on or flashing.
 - While printing.
- The printer has an earth leakage circuit protector on its back. Be sure to ground the printer.
- Avoid touching the components inside the printer unless instructed to do so in this guide.
- Follow all warnings and instructions marked on the printer.
- Except as specifically explained in the printer's documentation, do not attempt to service this product yourself.
- Periodically disconnect the plug from the electrical outlet and clean the blades.
- Do not disconnect the plug while the printer is on.
- If the printer will not be used for a long time, disconnect the plug from the electrical outlet.
- Unplug this printer from the wall outlet before cleaning.
- Use a well-wrung cloth for cleaning and do not use liquid or aerosol cleaners.

Handling the consumables

- ❑ Do not burn used consumables because they might explode and injure someone. Dispose of them according to local regulations.
- ❑ Be sure to keep consumable components out of the reach of children.
- ❑ When handling an imaging cartridge, always place it on a clean, smooth surface.
- ❑ Do not attempt to modify an imaging cartridge or take it apart.
- ❑ Do not touch the toner. Always keep toner away from your eyes. If toner gets on your skin or clothes, wash it off with soap and water immediately.
- ❑ If toner is spilled, use a broom and dustpan or a damp cloth with soap and water to clean it up. Because the fine particles can cause a fire or explosion if they come into contact with a spark, do not use a vacuum cleaner.
- ❑ Wait at least one hour before using an imaging cartridge after moving it from a cool to a warm environment to prevent damage from condensation.
- ❑ To get the best print quality, do not store the imaging cartridge in an area subject to direct sunlight, dust, salty air, or corrosive gases (such as ammonia). Avoid locations subject to extreme or rapid changes in temperature or humidity.
- ❑ When removing the imaging cartridge, do not expose it to sunlight at all and avoid exposing it to room light for more than five minutes. The imaging cartridge contains a light-sensitive drum. Exposure to light can damage the drum, causing dark or light areas to appear on the printed page and reducing the service life of the drum. If you need to keep the imaging cartridge out of the printer for long periods, cover it with an opaque cloth.
- ❑ Be careful not to scratch the surface of the drum. When you remove the imaging cartridge from the printer, always place it on a clean, smooth surface. Avoid touching the drum, since oil from your skin can permanently damage its surface and affect print quality.

Safety Information

Laser safety labels



Warning:

The performance of procedures and adjustments other than those specified in the printer's documentation may result in hazardous radiation exposure. Your printer is a Class 1 laser product as defined in the IEC60825 specifications. The label shown is attached to the back of the printer in countries where required.



Internal laser radiation

There is a Class III b Laser Diode Assembly that has an invisible laser beam inside the printer head unit. The printer head unit is NOT A SERVICE ITEM, therefore, the printer head unit should not be opened under any circumstances. An additional laser warning label is affixed to the inside of the printer.

Ozone safety

Ozone emission

Ozone gas is generated by laser printers as a by-product of the printing process. Ozone is produced only when the printer is printing.

Ozone exposure limit

The Epson laser printer generates less than 3 mg/h of continuous printing.

Minimize the risk

To minimize the risk of exposure to ozone, you should avoid the following conditions:

- Use of multiple laser printers in a confined area
- Operation in conditions of extremely low humidity
- Poor room ventilation
- Long, continuous printing together with any of the above

Printer location

The printer should be located so that the exhaust gases and heat generated are:

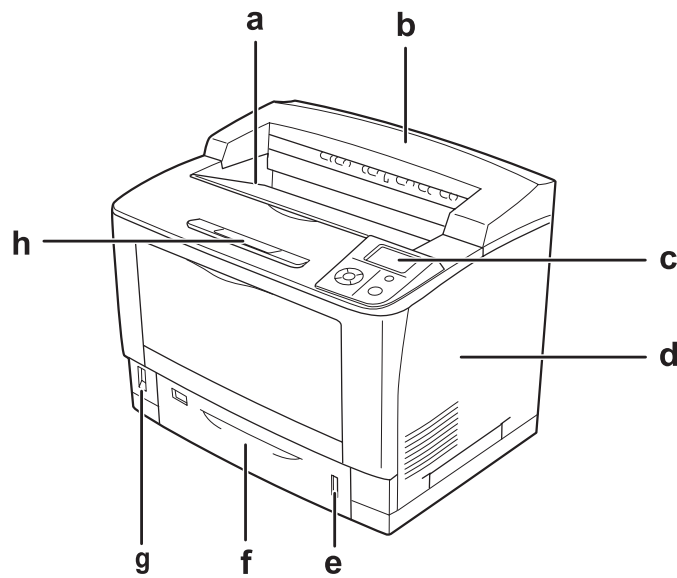
- Not blown directly into the user's face
- Vented directly out of the building whenever possible

Chapter 1

Getting to Know Your Printer

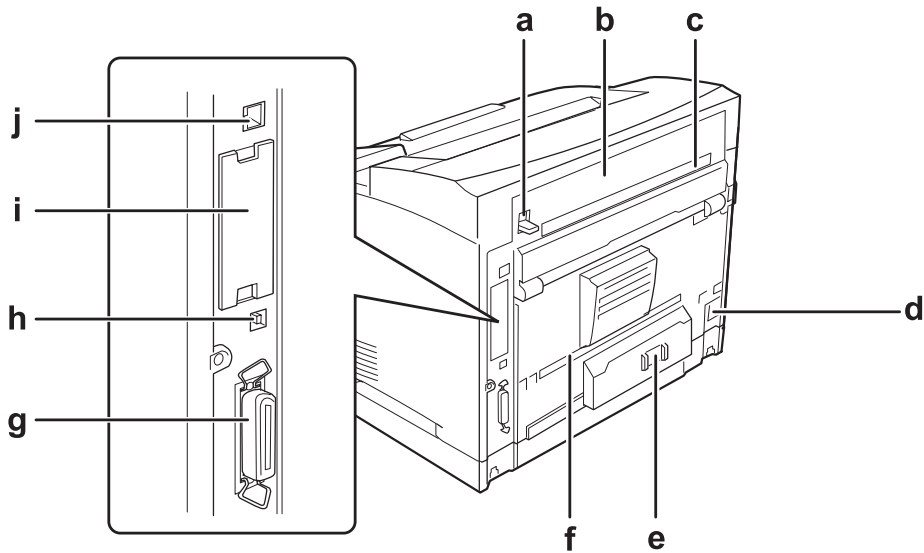
Printer Parts

Front view



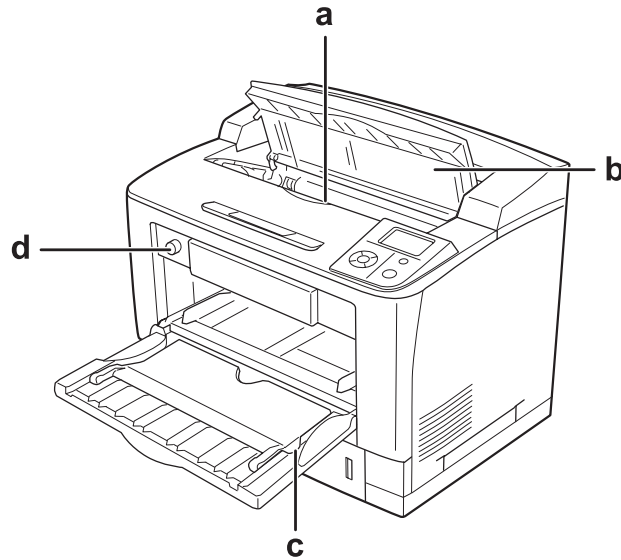
- a. face-down tray
- b. top cover
- c. control panel
- d. right side cover
- e. paper indicator
- f. standard lower paper cassette
- g. power switch
- h. paper support

Rear view



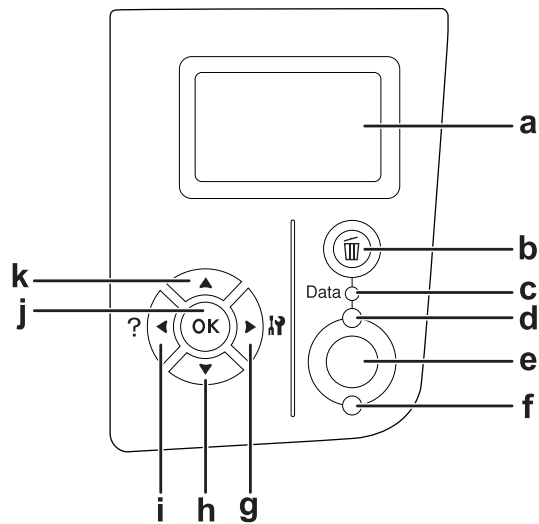
- a. cover B lever
- b. cover B
- c. upper option cover
- d. AC inlet
- e. circuit breaker switch
- f. lower option cover
- g. parallel interface connector
- h. USB interface connector
- i. Type-B interface card slot cover
- j. Ethernet interface connector

Inside the printer



- a. imaging cartridge
- b. cover A
- c. MP tray
- d. tray paper size switch

Control panel



- | | | |
|----|-----------------------------|---|
| a. | LCD panel | Displays printer status messages and control panel menu settings. |
| b. | Cancel Job button | Press once to cancel the current print job. Press and hold for more than two seconds to delete all jobs from the printer memory. |
| c. | Data light (Green) | On when print data is stored in the print buffer (the section of printer memory reserved for receiving data) but not yet printed.
Flashes when the printer is processing data.
Off when no data remains in the print buffer. |
| d. | Ready light (Green) | On when the printer is ready, indicating that the printer is ready to receive and print data.
Off when the printer is not ready. |
| e. | Start/Stop button | When the printer is printing, pressing this button stops the printing.
When the error light is flashing, pressing this button clears the error and switches the printer to ready status. |
| f. | Error light (Orange) | On or flashes when an error has occurred. |
| g. | Right button | Use these buttons to access the control panel menus, where you can make printer settings and check the status of consumable products. For instructions on how to use these buttons, see “Using the Control Panel Menus” on page 64. |
| h. | Down button | |
| i. | Left button | |
| j. | OK button | |
| k. | Up button | |

Options and Consumable Products

Options

You can add to your printer's capabilities by installing any of the following options.

- 500-Sheet Universal Paper Cassette Unit (C12C802542)
This unit increases paper feeding capacity up to 500 sheets of paper. You can install up to three units.
- Duplex Unit (C12C802552)
This unit allows for automatic printing on both sides of paper.

- ❑ **A4 Stacker (C12C802562)**
This unit increases paper output capacity to a maximum of 500 sheets of paper.
- ❑ **CompactFlash Memory**
This option enables you to store overlay forms, use Reserve Job function, and improve the collate printing environment. By using the Reserve Job function, you can store print jobs in the printer's CompactFlash memory and print them later directly from the printer's control panel. By using the collate printing function, you can print larger and more complex print jobs.
- ❑ **Memory Module**
This option expands the printer's memory by allowing you to print complex and graphics-intensive documents. The printer's RAM can be increased up to 576 MB by using a standard 64 MB RAM DIMM and two optional 256 MB RAM DIMMs.

Note:

Make sure that the DIMM you purchase is compatible with Epson products. For details, contact the store where you purchased this printer or an Epson qualified service representative.

Consumable products

The life of the following consumable products is monitored by the printer. The printer lets you know when replacements are needed.

Product name	Product code
Imaging Cartridge	1188
Return Imaging Cartridge	1189

Note:

Return imaging cartridges are not sold in some areas. Contact your local Epson dealer/representative about the availability of the Return imaging cartridge scheme.

Where to Find Information

Setup Guide

Provides you with information on assembling the printer and installing the printer software.

User's Guide (this manual)

Provides you with detailed information on the printer's functions, optional products, maintenance, troubleshooting, and technical specifications.

Network Guide

Provides network administrators with information on both the printer driver and network settings.

Font Guide

Provides you with information on fonts used on the printer. You need to copy this guide, or you can open it directly from following directory on the software CD-ROM.

For Windows: /COMMON/MANUAL/ENG/FNTG

For Macintosh: MANUAL:ENG:FNTG

Online Help for printer software

Click **Help** for detailed information and instructions on the printer software that controls your printer. Online help is automatically installed when you install the printer software.

Printer Features

Large paper input/output capacity

Paper input capacity can be increased from 650 sheets (MP tray: 150 sheets and standard lower paper cassette: 500 sheets) up to 2150 sheets by adding three 500-Sheet Universal Paper Cassette Units. You can also increase paper output capacity by installing an A4 Stacker. This printer can print at high speeds (maximum of 44 ppm.)

Sort function

The printer allows you to collate documents by alternating A4 size paper vertically and horizontally.

Security printing

This printer enables you to print with security function. For example, you can store print jobs on the memory and print them later directly from the printer's control panel. You can also print a document as a copy-protected document. The printer can encrypt print data using the SSL (Secure Sockets Layer) protocol to protect confidential information on the network.

Chapter 2

Printing Tasks

Loading Paper into Your Printer

This section describes how to load paper. If you use special media such as transparencies or envelopes, see also “Selecting and Using Print Media” on page 39. For specifications or details about the paper types and sizes, see “Paper” on page 229.

**Caution:**

Do not let the paper's edge slide across your skin because the edge of the paper may cut you.

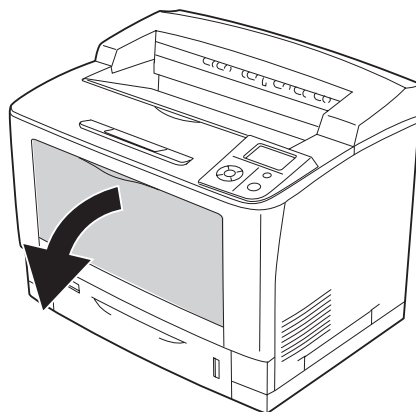
MP tray

The MP tray (Multi-purpose tray) is the paper source that is available for various types of paper, such as labels, envelopes, thick paper, and transparencies.

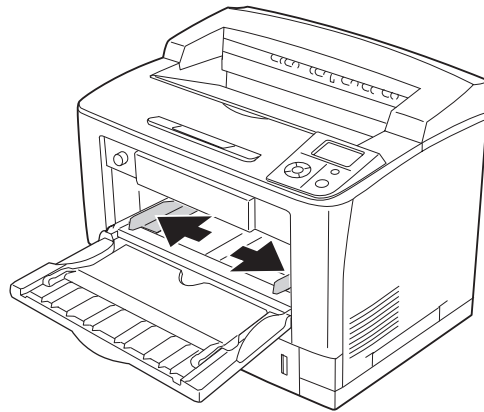
Note:

To load envelopes, see “Envelopes” on page 40.

1. Open the MP tray.

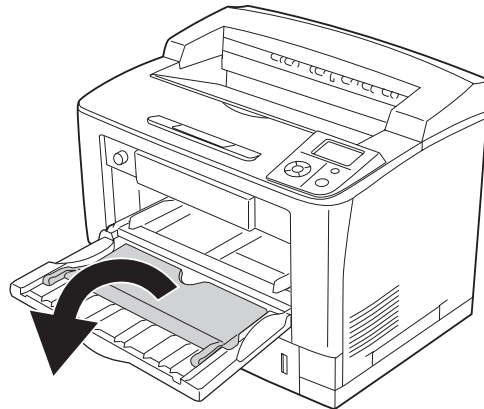


2. Slide the paper guides to accommodate the paper you are loading.

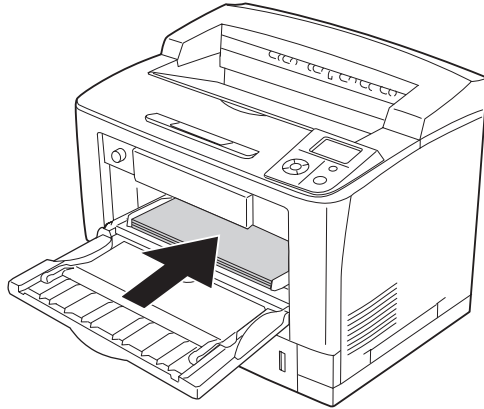


Note:

When the loading paper size is bigger than B4, open the extension tray on the MP tray to accommodate the paper.

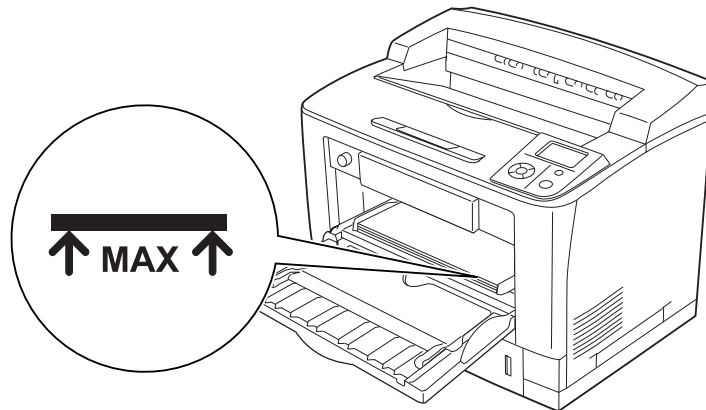


3. Load a stack of the desired paper with the printable surface facing up. Then slide the paper guides to get a snug fit.

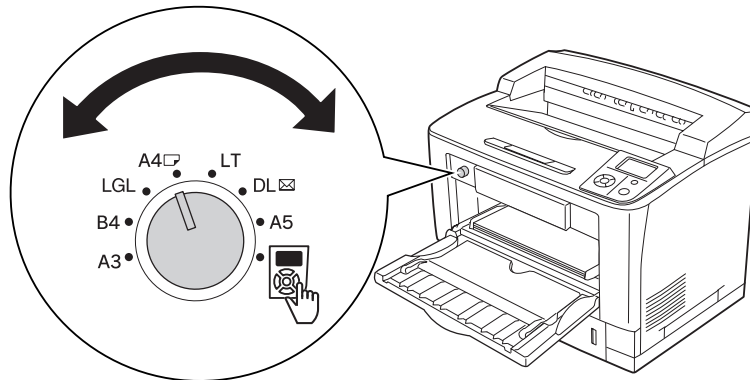


Note:


Make sure that you do not load paper beyond the limit mark.



- Turn the tray paper size switch to match the size of the loaded paper.



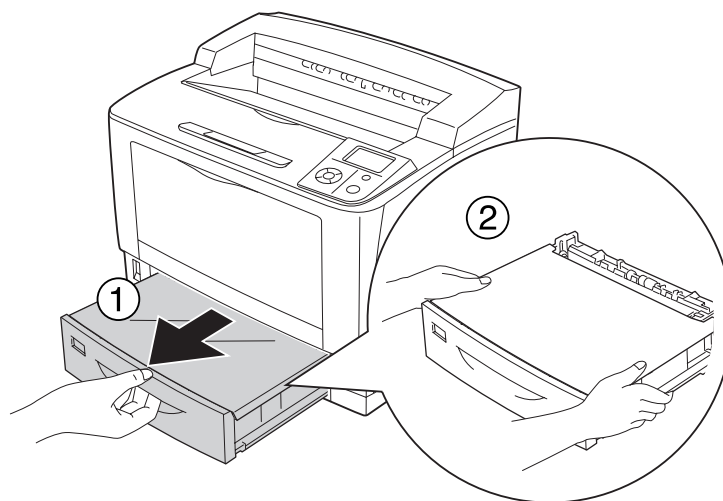
Note:

- After loading paper, set the MF Type setting on the control panel to match the type of paper loaded. For details, see “Tray Menu” on page 69.
- If the tray paper size switch is set to , set the MF Tray Size setting on the control panel to match the size of the loaded paper. For details, see “Tray Menu” on page 69.

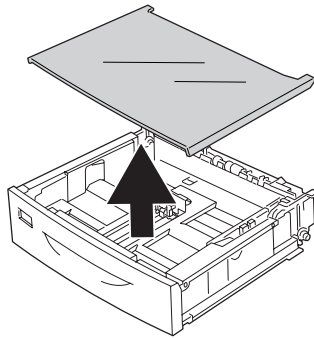
Standard lower paper cassette

This cassette gives you a second paper source in addition to the MP tray.

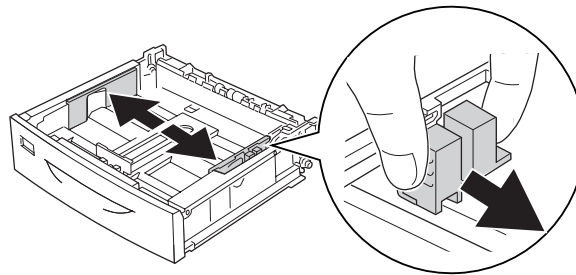
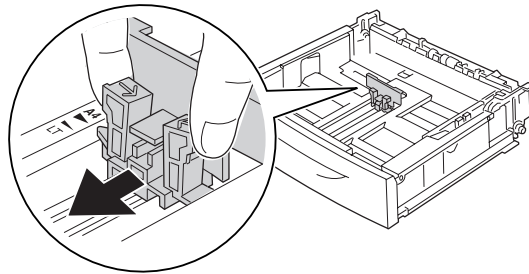
- Pull out the paper cassette.



2. Remove the tray cover.



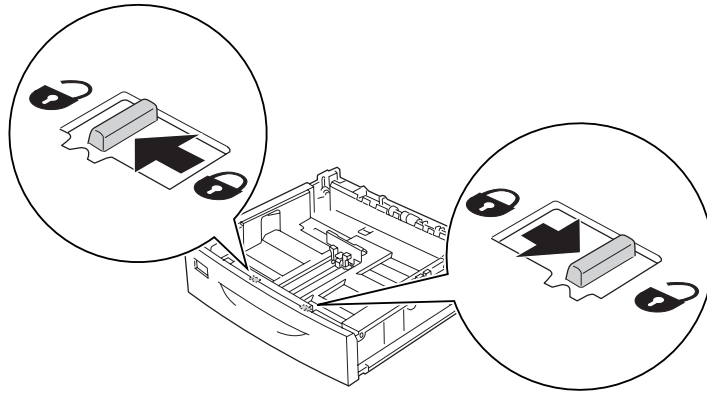
3. Pinch the knobs and slide the paper guides to accommodate the paper you are loading.



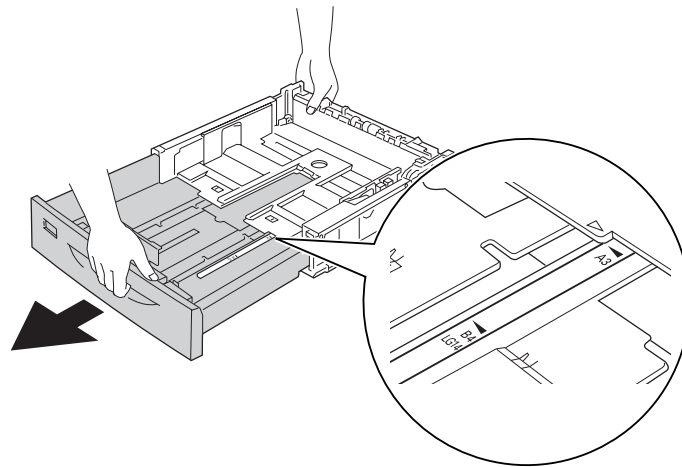
Note:

When loading paper that is A3, B4, A4 portrait, or larger, extend the paper cassette. If you do not need to extend the paper cassette, go to step 8.

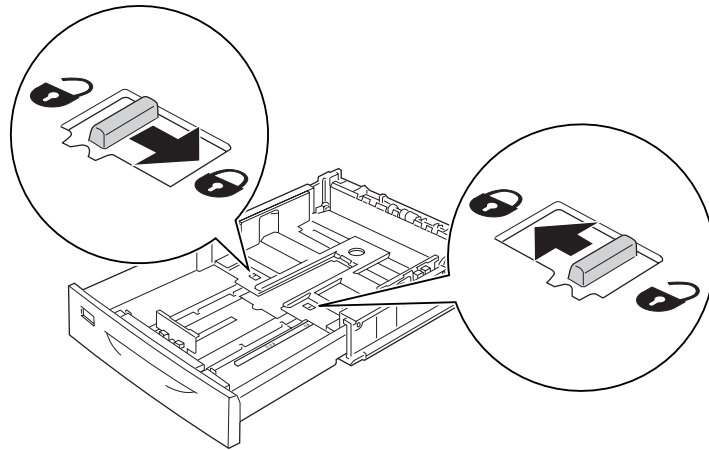
- Slide the unlock levers outward.



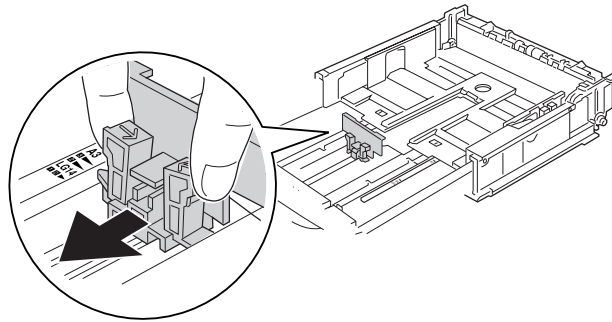
- Pull out the paper tray to extend the paper cassette and align the arrow marks according to the paper size.



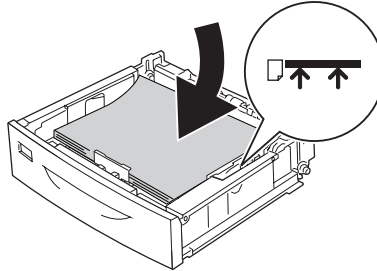
- Slide the unlock levers back to their lock positions.



- Pinch the knobs and slide the paper guide to accommodate the paper you are loading.



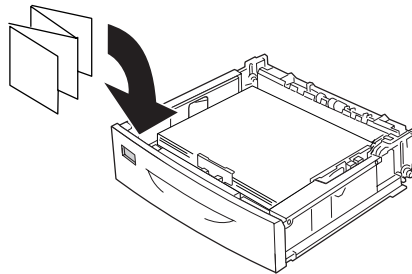
8. Load a stack of the desired paper on the center of the paper cassette with the printable surface facing up.



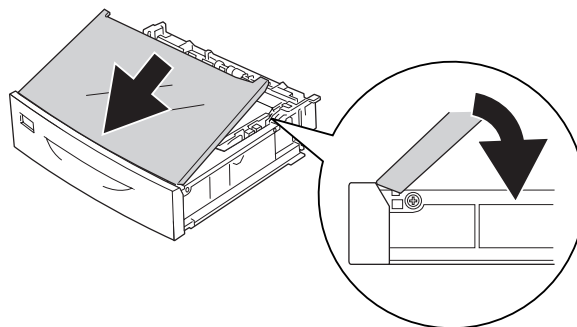
Note:

Make sure that you do not load paper beyond the limit mark.

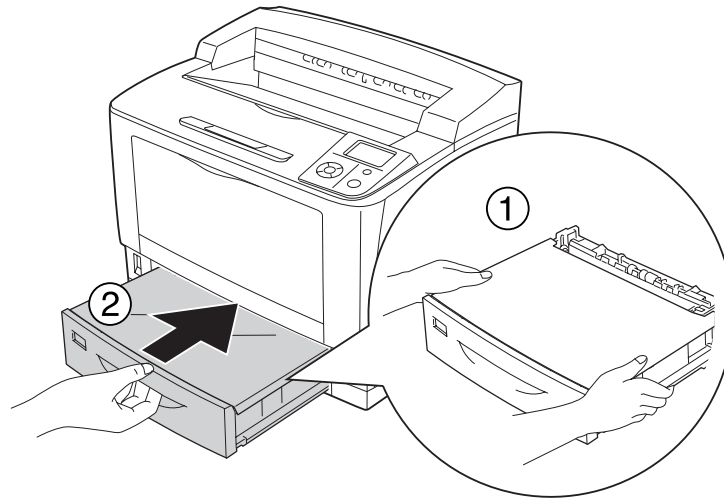
9. Insert the paper size label into the front of the paper cassette.



10. Replace the tray cover.



11. Reinsert the paper cassette into the printer.



Note:
After loading paper, set the Cassette1 Size/Cassette1 Type settings to match the loaded paper size and paper type on the control panel. For details, see “Tray Menu” on page 69.

Optional paper cassette unit


The paper sizes and types supported by the optional 500-Sheet Universal Paper Cassette Unit are the same as the standard lower paper cassette.

The paper-loading procedure is also the same as that for the standard lower paper cassette. For detailed information, see “Standard lower paper cassette” on page 33.

Notes on loading A4 size paper

You can load A4 size paper both in portrait and landscape orientation in the printer.

Set the printer as follows when you load A4 size paper.

Paper source	Orientation of paper in paper source	Tray paper size switch	Control panel Tray Menu - MP Tray Size
MP tray	Portrait		A4 Portrait
	Landscape	A4	Unnecessary

Paper source	Orientation of paper in paper source	Tray paper size switch	Control panel Tray Menu - MP Tray Size
Lower cassette	Portrait	Unnecessary	Unnecessary
	Landscape	Unnecessary	Unnecessary

Selecting and Using Print Media

You can use special media, such as labels, envelopes, thick paper, and transparencies.

When loading special media, you should make paper settings. You can also make these settings on the Tray Menu in the control panel. See “Tray Menu” on page 69.

Note:

Since the quality of any particular brand or type of media may be changed by the manufacturer at any time, Epson cannot guarantee the quality of any type of media. Always test samples of media stock before purchasing large quantities or printing large jobs.

Labels

Available labels:

- Labels designed for laser printers or plain-paper copiers
- Labels that completely cover the backing sheet, with no gaps between the individual labels

Available paper source:

- MP tray

Printer driver settings:

Paper Size: A4, LT

Paper Source: MP Tray

Paper Type: Labels

Note:

- Depending on the quality of labels, the printing environment, or the printing procedure, labels might be wrinkled. Make a trial print run before you print on a lot of labels.
- Duplex printing is not available for labels.
- Press a sheet of paper on top of each sheet of labels. If the paper sticks, do not use those labels in your printer.

Envelopes

Available envelopes:

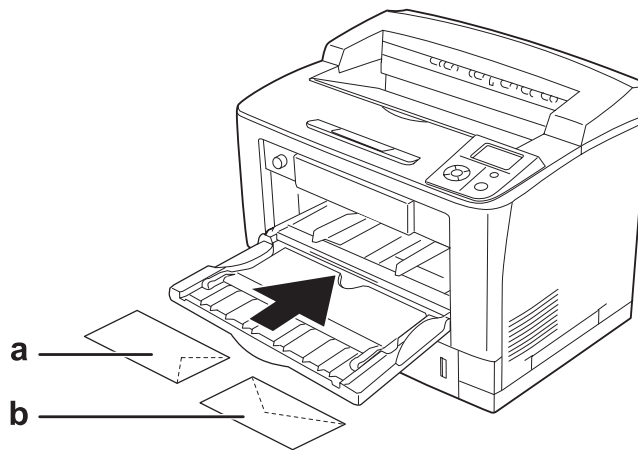
- Envelopes that have no glue or no tape

**Caution:**

Do not use window envelopes. The plastic on most window envelopes will melt.

Available paper source:

- MP tray



- a. C5, IB5
- b. Mon, C10, DL, C6

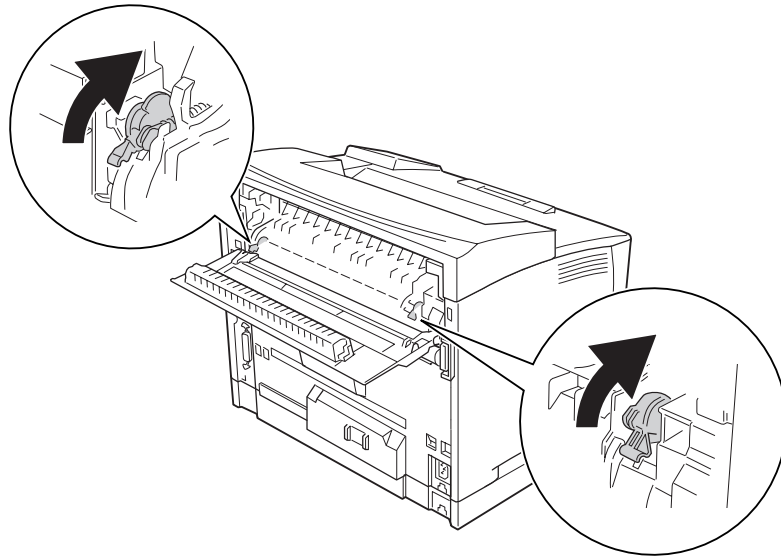
Printer driver settings:

Paper Size: Mon, C10, DL, C5, C6, IB5

Paper Source: MP Tray

Note:

- ❑ *Depending on the quality of envelopes, the printing environment, or the printing procedure, envelopes might be wrinkled. Make a trial print run before you print on a lot of envelopes.*
- ❑ *Duplex printing is not available for envelopes.*
- ❑ *When printing on envelopes, open cover B, and then push up the form feed pressure change levers at both sides of the fuser unit until they are in the vertical position. It may reduce the wrinkles in the envelopes. When using paper other than envelopes, be sure to push the lever back down.*



Warning:

*Unless specifically instructed in this guide, be careful not to touch the fuser, which is marked **CAUTION HIGH TEMPERATURE**, or the surrounding areas. If the printer has been in use, the fuser and the surrounding areas may be very hot. If you must touch one of these areas, wait 40 minutes to allow the heat to subside before doing so.*

Thick paper

Available paper source:

- MP tray

Printer driver settings:

Paper Size: A4, A3, A5, A6, B4, B5, LT, HLT, LGL, GLT, GLG, B, EXE, F4
Paper Source: MP Tray
Paper Type: Thick (for 91 to 157 g/m² paper), Extra Thick (for 158 to 216 g/m² paper)

Note:

Duplex printing is not available for extra thick paper.

Transparencies

Available paper source:

- MP tray

Printer driver settings:

Paper Size: A4
Paper Source: MP Tray
Paper Type: Transparency

Note:

Duplex printing is not available for transparencies.

Custom paper size

Available paper size:

- 75 × 98.4 mm to 297 × 508 mm

Available paper source:

- MP tray

Printer driver settings:


Paper Size:	User Defined Size
Paper Source:	MP Tray
Paper Type:	Normal, Transparency, Labels, Thick, Extra Thick

Note:

- Depending on the quality of the non-standard size paper, the printing environment, or the printing procedure, the paper might skew. Make a trial print run before you print on a lot of non-standard size paper.
- For Windows, access the printer driver, then select **User Defined Size** from the Paper Size list on the Basic Settings tab. In the User Defined Paper Size dialog box, adjust the Paper Width, Paper Length, and Unit settings to match your custom paper. Then click **OK** and your custom paper size will be saved.
- The saved paper sizes can only be used with the printer driver you saved them to. Even if multiple printer names are set for a printer driver, the settings can be available only for the printer name in which you saved the settings.
- When sharing the printer on a network, you cannot create User defined size at the client.
- If you cannot use the printer driver as explained above, make this setting at the printer by accessing the control panel's Printing Menu and selecting CTM (custom) as the Page Size setting.

Cancelling a Print Job

From the printer

Press the  **Cancel Job** button on the printer's control panel.

From the computer

For Windows users

Double-click your printer's icon on the taskbar. Select the job in the list, then click **Cancel** from the Document menu.



Setting the Print Quality

You can change the print quality of printouts through settings in the printer driver.

In the Automatic setting, you can select a print mode according to your printing purpose. The printer driver makes optimal settings depending on the print mode you have selected. In the Advanced setting, you have more setting options.

Note:

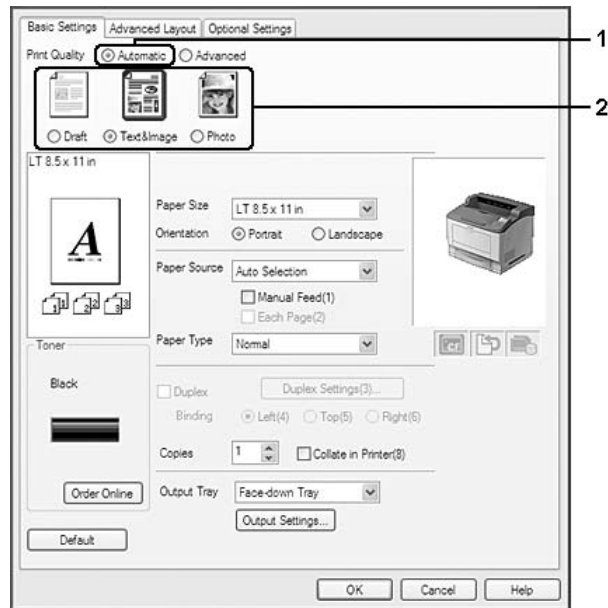
The printer driver's online help provides details on printer driver settings.

Using the Automatic setting

For Windows users

1. Click the **Basic Settings** tab.

2. Click **Automatic**, then choose desired printing quality.



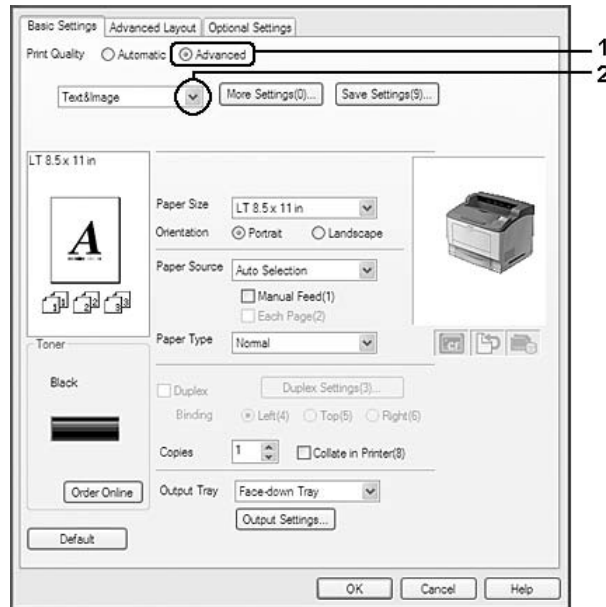
3. Click **OK**.

Using the Advanced setting

For Windows users

1. Click the **Basic Settings** tab.

2. Select **Advanced**. Then select the most appropriate setting from the list according to the type of document or image you want to print.



When you choose a predefined setting, other settings such as Print Quality and Screen are set automatically. Changes are shown in the current settings list on the Setting Information dialog box that appears by pressing the **Setting Info.** button on the Optional Settings tab.

Customizing print settings

If you need to change detailed settings, make the settings manually.

For Windows users

1. Click the **Basic Settings** tab.
2. Select **Advanced**, then click **More Settings**.
3. Make appropriate settings. For details about each setting, see online help.
4. Click **OK**.

Saving your settings

You can save your custom settings.

Note:

- You cannot use a predefined setting name for your custom settings.
- The saved custom settings can only be used with the printer driver you saved them to. Even if multiple printer names are set for a printer driver, the settings can be available only for the printer name in which you saved the settings.
- You cannot delete predefined settings.

For Windows users**Note:**

When sharing the printer on a network, Save Settings is grayed out and you cannot create a custom setting at the client.

1. Click the **Basic Settings** tab.
2. Select **Advanced**, then click **Save Settings** to open the Custom Settings dialog box.
3. Type a name for your custom settings in the Name box, then click **Save**.

Your settings will appear in the list on the Basic Settings tab.

Note:

To delete a custom setting, follow the step 1 and 2, select the setting in the Custom Settings dialog box, then click **Delete**.

You can create new settings in the More Settings dialog box. When you create new settings, Custom Settings is displayed in the list on the Basic Settings tab. In this case, the original setting is not overwritten. To save the new settings, save them under a new name.

Toner Save mode

To reduce the amount of toner used in printing documents, you can print rough drafts using the Toner Save mode.

For Windows users

1. Click the **Basic Settings** tab.
2. Select **Advanced**, then click **More Settings** to open the More Settings dialog box.

3. Select the **Toner Save** check box, then click **OK**.

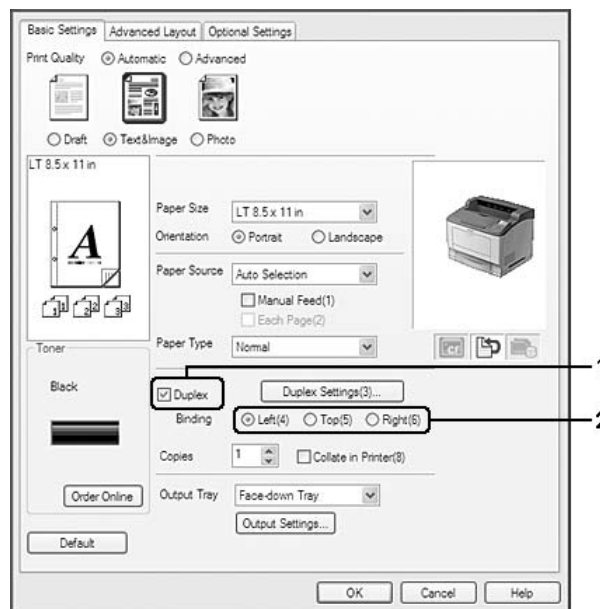
Setting the Advanced Layout

Duplex printing (with the Duplex Unit)

This function allows you to print on both sides of the paper automatically by installing the optional Duplex Unit.

For Windows users

1. Click the **Basic Settings** tab.
2. Select the **Duplex** check box, then select **Left**, **Top**, or **Right** as the binding position.



Note:

The **Duplex** check box appears only when the Duplex Unit is recognized by the printer driver. If it is not recognized, confirm that the option is set to **Installed** on the **Optional Settings** tab. If necessary, update the installed option information manually. For details, see “Making Optional Settings” on page 205.

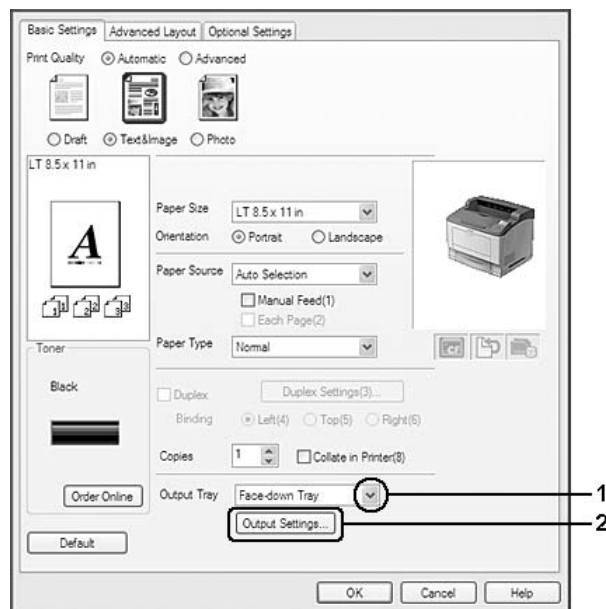
3. If you want to make detailed settings, click **Duplex Settings** to open the Duplex Settings dialog box.
4. Make appropriate settings. For details about each setting, see online help.
5. Click **OK**.

Output settings

This function allows you to output A4 size paper horizontally, vertically, or alternately in case of collate printing.

For Windows users

1. Click the **Basic Settings** tab.
2. Select an output tray from the Output Tray drop-down list. If you want to make detailed settings, click **Output Settings** to open the Output Settings dialog box.



Note:

Even if you select **Stacker** from the Output Tray drop-down list, the setting may be automatically changed to **Face-down tray** during printing when the paper size specified in the document is not supported by the stacker.

3. Select **Eject Horizontally**, **Eject Vertically**, or **Eject Alternately** for the output direction. If you select **Eject Horizontally**, all A4 size pages are output horizontally. If you select **Eject Vertically**, all A4 size pages are output vertically. If you select **Eject Alternately**, each copy can be output in alternate directions for collating documents.

Note:

- To choose **Eject Vertically**, paper must be pre-loaded in the vertical direction.
 - To choose **Eject Alternately**, paper must be pre-loaded into at least two tray or cassettes in different orientations (portrait and landscape).
 - To choose **Eject Alternately**, some settings or functions (such as Manual Feed, Reserve Job, Barcode mode, and Storage Form Overlay) are not available.
4. Click **OK**.

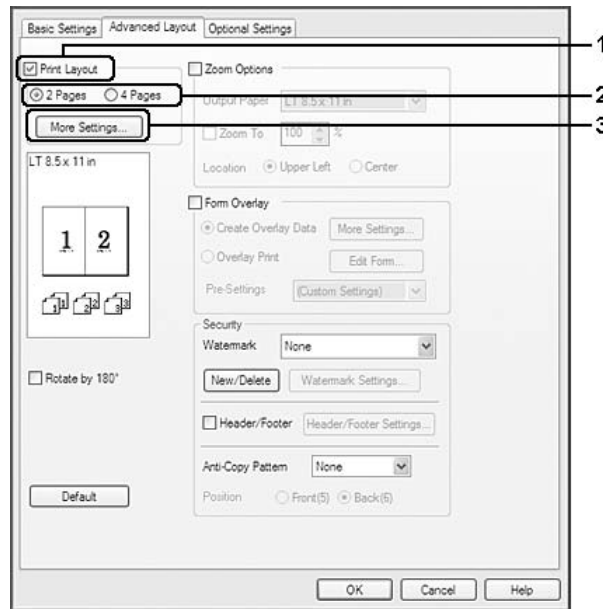
Modifying the print layout

This function allows you to print multiple pages on single sheets of paper.

For Windows users

1. Click the **Advanced Layout** tab.
2. Select the **Print Layout** check box and the number of pages you want to print on one sheet of paper.

3. If you want to make detailed settings, click **More Settings**. The Print Layout Settings dialog box appears.



4. Make appropriate settings. For details about each setting, see online help.
5. Click **OK**.

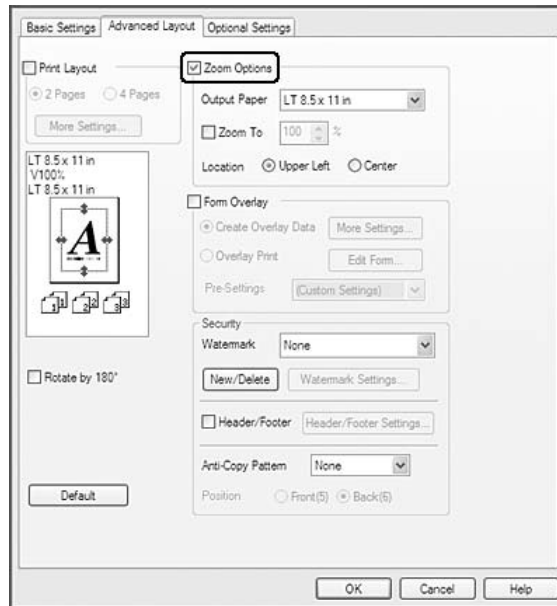
Resizing printouts

This function allows you to enlarge or reduce your document.

For Windows users

1. Click the **Advanced Layout** tab.

2. Select the **Zoom Options** check box.



3. If you want to resize pages automatically to fit the output paper, select the desired paper size from the Output Paper drop-down list.
If you want to resize pages by a specified magnification, select the **Zoom To** check box, then specify the percentage. You can also select the output paper size.
4. Select **Upper Left** (to print reduced page image at upper left corner of the paper) or **Center** (to print reduced page image with centering) for Location setting.

Note:

*This setting is not available when you select **Zoom To** check box.*

5. Click **OK**.

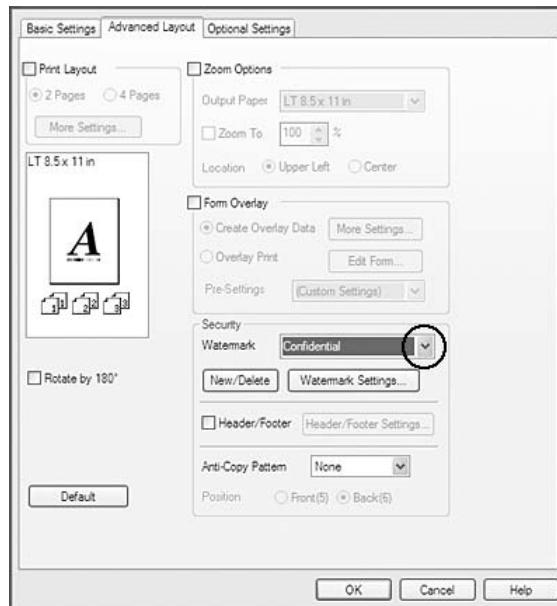
Printing watermarks

This function allows you to print a text-based or image-based watermark on your document.

For Windows users

1. Click the **Advanced Layout** tab.

2. Select a watermark that you want to use from the Watermark drop-down list.



3. If you want to make detailed settings, click **Watermark Settings**, and make appropriate settings. For details about each setting, see online help.
4. Click **OK**.

Making a new watermark

For Windows users

1. Click the **Advanced Layout** tab.
2. Click **New/Delete**.
3. Select **Text** or **BMP** and type a name for the new watermark in the Name box.
4. If you select **Text**, type the watermark text in the Text box. If you select **BMP**, click **Browse**, select the BMP file you want to use, then click **Open**.

5. Click **Save**. Your watermark will appear in the List box.

Note:

- To edit the saved text watermark, select it from the List box, then follow the steps 4 and 5.*
- To remove the saved watermark, select it from the List box, then click **Delete**. After removing it, be sure to click **OK** to close the dialog box.*

6. Click **OK**.

Note:

- You can register up to 10 original watermarks.*
- The saved watermarks can only be used with the printer driver you saved them to. Even if multiple printer names are set for a printer driver, the settings can be available only for the printer name in which you saved the settings.*
- When sharing the printer on a network, you cannot create a user defined watermark at the client.*

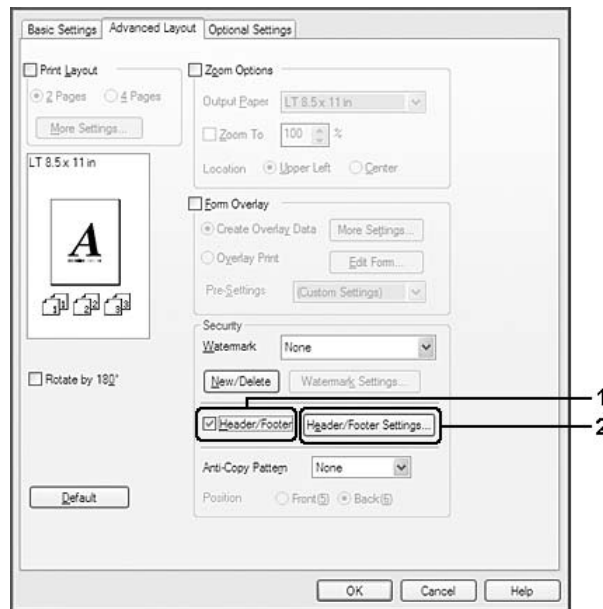
Printing headers and footers

This function allows you to print user name, computer name, date, time, or collate number, at the top or bottom of each page in a document.

For Windows users

1. Click the **Advanced Layout** tab.

2. Select the **Header/Footer** check box, then click **Header/Footer Settings**.



3. Select the items from the drop-down list.

Note:

- If you select **Collate Number**, the number of copies is printed.
- When using the Reserve Job function, you cannot select **Collate Number**.

4. Click **OK**.

Printing with an overlay

This function allows you to print a standard form or letterhead onto the original document.

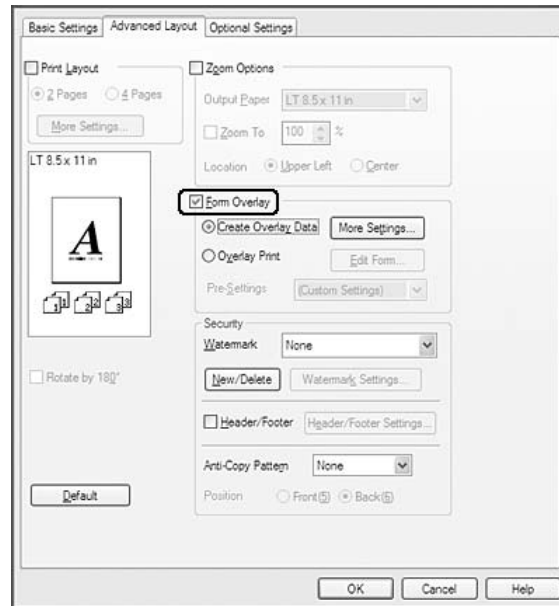
Note:

- This function is for Windows only.
- The overlay function is available only when **High Quality (Printer)** is selected for the Printing Mode in the Extended Settings dialog box from the Optional Settings tab.

Creating an overlay

1. Click the **Advanced Layout** tab.

2. Select the **Form Overlay** check box.



3. Select **Create Overlay Data**, then click **More Settings**. The Create Form dialog box appears.
4. Type the form name in the Form Name box and its description in the Description box.
5. Select **Foreground Document** or **Background Document** to specify whether the overlay will be printed as foreground or background of the document.
6. Select the **Assign to Paper Source** check box to display the form name in the Paper Source drop-down list on the Basic Settings tab.
7. Click **OK**.

Note:

- ❑ To change the settings of the overlay form data you created, access the printer driver and repeat all the steps above. Note that on the step 3, select **Overlay Print**, then click **Edit Form**.
- ❑ The following 9 characters cannot be used for form names: \ / : * ? " < > |.

Printing an overlaid document

You can select the registered form data from the Paper Source drop-down list on the Basic Settings tab. For registering form data in the Paper Source, see step 6 in “Creating an overlay” on page 55. If overlay form data is not registered in the Paper Source or if you want to make detailed settings, follow the steps below.

1. Click the **Advanced Layout** tab.
2. Select the **Form Overlay** check box.
3. Select the **Overlay Print** check box, then click **More Settings**. The Form Selection dialog box appears.
4. Make appropriate settings. For details about each setting, see online help.

Note:

If you cannot select the form from the application, access the printer driver from the operating system. For details, see “Accessing the printer driver” on page 204.

5. Click **OK**.

Saving an overlaid form pre-settings

This function allows you to save the settings you made from “Creating an overlay” on page 55.

1. From the Form Selection dialog box, click **Save/Delete**. To open the dialog box, see “Printing an overlaid document” on page 57.
2. Type the pre-settings name in the Form Pre-Settings Name box, then click **Save**. Your pre-settings name will appear in the Form Pre-Settings drop-down list in the Form Selection dialog box.
3. Click **OK**. Your pre-settings name will appear in the Pre-Settings drop-down list in the Advanced Layout dialog box.

Note:

- To delete an overlaid form pre-setting, follow the step 1, select the pre-settings name you want to delete from Form Pre-Settings drop-down list, click **Delete**, and then click **OK**.*
- You can save up to 20 pre-settings.*

Printing with an overlay (with the storage)

This function allows you to register the overlay form data on the storage. The optional CompactFlash memory installed on the printer is used as the storage for this product.

This function is available only when the following conditions are satisfied.

- The optional CompactFlash memory is installed on the printer.
- Update the Printer Option Info Automatically** is selected under the Optional Settings tab on the printer driver.
- High Quality (Printer) mode is set.
- The printer is connected via a network.
- You are using Windows.
- EPSON Status Monitor is installed on the computer.
- Internet Explorer is running on the computer.

Register the overlay form data on the storage

Note:

The form name must use only the characters shown below. A - Z, a - z, 0 - 9, and ! ') (- _ %

1. Create the overlay form data. For details, see “Creating an overlay” on page 55.
2. Log in to Windows Vista, Vista x64, XP, XP x64, 2000, Server 2008, Server 2008 x64, Server 2003, or Server 2003 x64 as an administrator.
3. From your operating system, click **Start** and access **Printers** (for Windows Vista, 2000, or Server 2008) or **Printers and Faxes** (for Windows XP or Server 2003). Right-click your printer icon, then click **Properties**.
4. Click the **Optional Settings** tab.
5. Click **Register**. The Authentication dialog box appears.
6. Enter the password, and then click **OK**.
The Register to Storage dialog box appears.

7. Select the form name from the Form Names list, and then click **Register**.

Note:

- Only form names that can be registered appear on the Form Names list.
- Click **Print List** to print the form list registered in the printer.

8. Click **Back** to close the Register to Storage dialog box.
9. Click **OK**.

Printing a overlaid document

1. Click the **Advanced Layout** tab.
2. Select the **Form Overlay** check box.
3. Select the **Overlay Print** check box, then click **More Settings**. The Form Selection dialog box appears.
4. Select **CompactFlash in Printer** in the Current Source drop-down list.
5. Make appropriate settings. For details about each setting, see online help.
6. Click **OK** in the Form Selection dialog box.
7. Click **OK** in the Advanced Layout tab.

Delete the overlay form data on the storage

1. Follow the step 2 to 4 of “Register the overlay form data on the storage” on page 58.
2. Click **Delete**. The Authentication dialog box appears.
3. Enter the password, and then click **OK**.
The Delete from Storage dialog box appears.

4. If you delete all overlay form data, select **All**, then click **Delete**. If you want to delete some specific data, select **Selected**, enter the form name in the Form Name edit box, then click **Delete**.

Note:

- If you need the list of the registered overlay form data, click **Print List** to print it and confirm the form name. Also, if you need a sample print-out of the form data, enter the form name and click the **Print Sample** button.
 - You can use the **Browse** button if the printer is connected through a network. Form names registered to the storage are displayed by clicking the **Browse** button.
5. Click **Back**.
 6. Click **OK**.

Printing the copy-protected document

This function allows you to print a document as a copy-protected document. When you try to copy a copy-protected document, "COPY" is printed several times on the document.

Note:

- Epson will not guarantee to secure from information leakage and any other damage by using this function, nor hidden letters appear in all cases.
- Screen-tone may be too dark, hidden letters may not be printed on the entire print, or hidden letters may not appear when photocopied depends on the models, settings, and combinations of photocopiers, fax machine, input device such as digital cameras and scanners, output device such as printers; printer driver settings of this product; condition of consumables such as toner and output paper type.

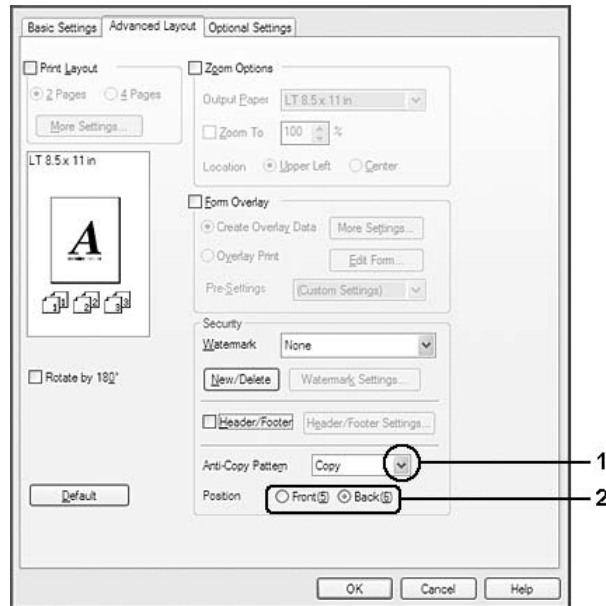
For Windows users

Note:

With this function, the Print Quality setting is changed to **Fine**, and the Density setting is changed to 3.

1. Click the **Advanced Layout** tab.

2. Select **Copy** from the Anti-Copy Pattern drop-down list.



3. Select **Front** or **Back** to select if “COPY” is printed in front or back of the images in the document.
4. Click **OK**.

Printing Web Pages to Fit Your Paper Size

This function allows you to make Web pages fit to your paper size when printing. Install EPSON Web-To-Page from the printer software CD-ROM.

Note:

This software is not available for Windows Vista, XP x64, Server 2008, and Server 2003.

After you install EPSON Web-To-Page, the menu bar is displayed on the Microsoft Internet Explorer Toolbar. If it does not appear, select **Toolbars** from the View menu of Internet Explorer, and then select **EPSON Web-To-Page**.



Using the Reserve Job Function

This function allows you to store print jobs on the printer's memory and to print them later directly from the printer's control panel. You can prevent the printed document from being looked at by other people by applying a password to the print job.

This function uses the following types of printer memory.

Printer's Storage	Description
CompactFlash	The optional CompactFlash memory must be installed on your printer in order to use the Reserve Job function. Make sure that the CompactFlash memory is correctly recognized by the printer driver before you start using the Reserve Job function.
RAM Disk	An additional memory must be installed on your printer in order to use the Reserve Job function. To enable the RAM disk, you have to set the RAM Disk setting on the control panel to Normal or Maximum. For instructions about increasing your printer's memory, see "Installing a memory module" on page 132. After the memory module is installed, you must update the option information. See "Making Optional Settings" on page 205. When both CompactFlash memory and a RAM disk are installed, CompactFlash memory is given priority and makes the RAM disk unavailable.

The table below gives an overview of the Reserve Job options.

Reserve Job Option	Description
Re-Print Job	Lets you print the job now and store it on the printer's memory. You can print the same job several times.
Verify Job	Lets you print one copy now to verify the content. You can print multiple copies later.
Stored Job*	Lets you store the print job on the printer's memory without printing it now.
Confidential Job	Lets you apply a password to the print job. You can print the job entering the password on the printer's control panel.

* Not available when you use the RAM disk for the printer's memory.

Sending the print job

For Windows users

1. Click the **Optional Settings** tab, then click **Reserve Jobs Settings**. The Reserve Jobs Settings dialog box appears.
2. Select the **Reserve Job On** check box, then select **Re-Print Job**, **Verify Job**, **Stored Job**, or **Confidential Job**.
3. Enter a user name and job name in the corresponding text boxes. If you selected **Confidential Job**, enter a four-digit number in the password text box to set the password.

Note:

*If you want to create a thumbnail of the first page of a job, select the **Create a thumbnail** check box. Thumbnails can be accessed by entering `http://` followed by the internal print server's IP address in a Web browser.*

4. Click **OK**.

Note:

*The **OK** button becomes available after both the user name and job name have been entered.*

If you selected **Re-print Job**, the printer prints your document. If you selected **Verify Job**, the printer prints one copy of your document.

To print or delete this data using the printer's control panel, see "Printing and Deleting Reserve Job Data" on page 104.

Chapter 3

Using the Control Panel

Using the Control Panel Menus

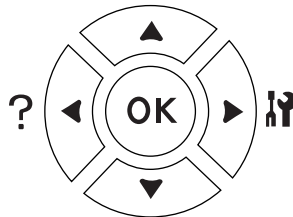
When to make control panel settings

In general, printer driver settings override settings made using the control panel. You should make the following settings by using the control panel because these settings cannot be made in the printer driver.

- Settings to select emulation modes and IES (Intelligent Emulation Switching) mode
- Settings to specify a channel and configure the interface
- Settings to specify the size of the memory buffer used to receive data

How to access the control panel menus

1. Press the ► **Right** button to access the control panel menus.



2. Use the ▲ **Up** and ▼ **Down** buttons to scroll through the menus.
3. Press the ► **Right** button to view the items in a menu. Depending on the menu, the LCD panel displays an item and the current setting separated (◆ YYYYY=ZZZZ), or only an item (◆ YYYYY).
4. Use the ▲ **Up** and ▼ **Down** buttons to scroll through the items, or press the ◀ **Left** button to return to the previous level.

5. Press the ► **Right** button to carry out the operation indicated by an item, such as printing a configuration status sheet or resetting the printer, or to view the settings available for an item, such as paper sizes or emulation modes.

Use the ▲ **Up** and ▼ **Down** buttons to scroll through available settings, then press the ► **Right** button to select a setting and return to the previous level. Press the ◀ **Left** button to return to the previous level without changing the setting.

Note:

- ❑ *You need to turn the printer off and then on to activate some settings. For details, see “Control Panel Menus” on page 66.*
- ❑ *The **OK** button can be used instead of the ► **Right** button in step 3 or 5.*

6. Press the **Start/Stop** button to exit the control panel menus.

How to register menus as bookmarks

By registering bookmarks for frequently used menus, you can display the registered menus by just pressing the **OK** button while the LCD panel displays `Ready` or `Sleep`.

Note:

The maximum number of menus you can register as bookmarks is 3.

1. Display the menu to register. For details, see “How to access the control panel menus” on page 64.
2. Press the **OK** button for more than two seconds.

The `Add Bookmark` menu appears.

Note:

Some menus cannot be bookmarked. If you tried to register them, `Bookmark Failed` is displayed.

3. Press the ▲ **Up** and ▼ **Down** buttons to select the menu to delete, then press the ► **Right** button.

Note:

To register a new menu, you have to delete one of the registered menus from the bookmark.

If `Bookmark Registered` is displayed, the menu is bookmarked successfully.

Note:

To delete the bookmarked menus, select **Reset All** from the control panel's **Reset Menu**.

Control Panel Menus

Note:

Some menus and items appear only when a corresponding optional device is installed or an appropriate setting has been done.

Information Menu

Press the **▼ Down** or **▲ Up** button to select an item. Press the **► Right** button to print a sheet or font sample.

Item	Values
Print Configuration Status Sheet	-
Print Supplies Status Sheet	-
Print Usage History Sheet	-
Reserve Job List* ¹	-
Form Overlay List* ²	-
Network Status Sheet* ³	-
AUX Status Sheet* ⁴	-
USB Ext I/F Status Sht* ⁵	-
PS3 Status Sheet	-
PS3 Font List	-
ROM A Information* ⁶	-
PCL Font Sample	-
ESCP2 Font Sample	-
FX Font Sample	-
I239X Font Sample	-

Item	Values
Toner	E*****F to E F
Fuser Unit Life	E*****F to E F
Total Pages	0 to 99999999

*1 Available only when the jobs are stored by using the Quick Print Job feature.

*2 This item appears only when Form Overlay data exists.

*3 Available only when the Network I/F setting in Network Menu is set to On.

*4 Available only when an optional interface card is installed.

*5 Available only when the printer is connected to a USB device with D4 support and has been turned on when the USB I/F setting is set to On.

*6 Available only when a ROM module is installed.

Print Configuration Status Sheet

Prints a sheet showing the current printer settings and installed options. This sheet can be useful to confirm whether option have been installed correctly.

Print Supplies Status Sheet

Prints a sheet showing information about consumables.

Print Usage History Sheet

Prints a sheet showing the history of the printer's usage.

Reserve Job List

Prints a list of reserved print jobs stored on the printer's memory.

Form Overlay List

Prints a list of the form overlays stored in the optional CompactFlash memory.

Network Status Sheet

Prints a sheet showing the working status of the network.

AUX Status Sheet

Prints a sheet showing the working status of the optional interface.

USB Ext I/F Status Sht

Prints a sheet showing the working status of the USB interface.

PS3 Status Sheet

Prints a sheet showing information about the PS3 mode such as the PS3 version.

PS3 Font List, PCL Font Sample, ESCP2 Font Sample, FX Font Sample, I239X Font Sample

Prints a sample of the fonts available for your selected printer emulation.

ROM A Information

Prints a sheet showing information about the memory installed in the ROM A slot.

Toner, Fuser Unit Life

The number of asterisks (*) between “E” and “F” indicates the remaining service lives of consumables. If a non-genuine consumable is used, “?” is displayed instead of the indicator.

Total Pages

Displays the total number of pages printed by the printer.

System Information Menu

The following information is displayed.


- Main Version
- MCU Version
- Serial No
- Memory
- MAC Address

Tray Menu

Item	Settings (default in bold)
MP Tray Size	A4 Portrait, A4 Landscape , A3, A5, A6, B4, B5, LT, HLT, LGL, GLT, GLG, B, EXE, F4, MON, C10, DL, C5, C6, IB5
Cassette1 Size/Cassette2 Size*/ Cassette3 Size*/ Cassette4 Size*	A4 Portrait, A4 Landscape, A3, A5, B4, B5, LT, LGL
MP Type	Plain , Preprinted, Letterhead, Recycled, Color, Transparency, Labels
Cassette1 Type/ Cassette2 Type* / Cassette3 Type* / Cassette4 Type*	Plain , Preprinted, Letterhead, Recycled, Color

* Available only when the optional paper cassette unit is installed.

MP Tray Size

Select your paper size from this menu. The tray paper size switch setting is enabled if it is not set to .

Cassette 1 Size/Cassette 2 Size/Cassette 3 Size/Cassette 4 Size

Displays the paper size loaded in the standard and optional paper cassettes.

MP Type

Lets you set the paper type loaded in the MP tray.

Cassette 1 Type/Cassette 2 Type/Cassette 3 Type/Cassette 4 Type

Lets you select the paper type loaded in the standard and optional paper cassettes.

Emulation Menu

Note:

You can specify different emulations for each interfaces.

Item	Settings (default in bold)
Parallel	Auto , ESCP2, FX, I239X, PS3, PCL

Item	Settings (default in bold)
USB	Auto , ESCP2, FX, I239X, PS3, PCL
Network	Auto , ESCP2, FX, I239X, PS3, PCL
AUX*	Auto , ESCP2, FX, I239X, PS3, PCL

* Available only when an optional Type-B interface card is installed.

Printing Menu

Note:

The settings are overridden by the settings made in the printer driver.

Item	Settings (default in bold)
Page Size	A4 , A3, A5, A6, B4, B5, LT, HLT, LGL, GLT, GLG, B, EXE, F4, MON, C10, DL, C5, C6, IB5, CTM* ¹
Wide A4	Off , On
Orientation	Port , Land
Resolution	300, 600 , 1200
RI Tech* ²	On , Off
Toner Save* ²	Off , On
Density	1, 2, 3 , 4, 5
Top Offset	-150.0 ... 0.0 ... 150.0 mm in 0.5 increments
Left Offset	-150.0 ... 0.0 ... 150.0 mm in 0.5 increments
T Offset B* ³	-150.0 ... 0.0 ... 150.0 mm in 0.5 increments
L Offset B* ³	-150.0 ... 0.0 ... 150.0 mm in 0.5 increments

*¹ Custom-size paper is 75.0 × 98.4 mm at the minimum and 297.0 × 508.0 mm at the maximum.

*² If Resolution is set to 1200, these settings are invalid even if set to On.

*³ Available only when the optional Duplex Unit is installed.

Page Size

Specifies the paper size.

Wide A4

Selecting **On** decreases the left and right margins from 4 mm to 3.4 mm.

Orientation

Specifies whether the page is printed in portrait or landscape orientation.

Resolution

Specifies the printing resolution.

RITech

Turning RITech on produces smoother and crisper lines, text, and graphics.

Toner Save

When this setting is selected, the printer saves toner by substituting a gray shade for the black inside of characters. The characters are outlined in full black on the right and lower edges.

Density

Specifies the printing density.

Top Offset

Makes fine adjustments to the vertical printing position of the page.

**Caution:**

Make sure that the printed image does not extend beyond the edge of the paper. Otherwise, you may damage the printer.

LeftOffset

Makes fine adjustments to the horizontal printing position of the page. This is useful for fine adjustments.

**Caution:**

Make sure that the printed image does not extend beyond the edge of the paper. Otherwise, you may damage the printer.

T Offset B

Adjusts the vertical printing position on the back of the paper when printing on both sides. Use this if the printout on the back is not where you expected.

L Offset B

Adjusts the horizontal printing position on the back of the paper when printing on both sides. Use this if the printout on the back is not where you expected.

Setup Menu

Item	Settings (default in bold)
Language	English , Français, Deutsch, Italiano, ESPAÑOL, SVENSKA, Dansk, Nederlands, SUOMI, Português, Norsk, CATALÀ, РУССКИЙ, 中文, 繁體中文, 한국어
Time to Sleep	5 , 15, 30, 60, 120, 180, 240 Min
Time Out	0, 5 to 60 to 300 in increments of 1
Paper Source	Auto , MP, Cassette 1, Cassette 2*1, Cassette 3*1, Cassette 4*1
Out Bin*1	Face-down , Stacker
Stacker*1	+Face-down , No Face-down
MP Mode	Normal , Last
Manual Feed	Off , 1st Page, EachPage
Copies	1 to 999
Duplex*1*2	Off , On
Binding*1*2	Long Edge , Short Edge
Start Page*1*2	Front , Back
Paper Type	Normal , Thick, ExtraThk, Transparency
Skip Blank Page*3	Off , On
Auto Eject Page*4	Off , On
Size Ignore	Off , On
Auto Cont	Off , On
Page Protect*4*5	Auto , On

Item	Settings (default in bold)
Toner Alert	Skip , Set
LCD Contrast	0 to 7 to 15
RAM Disk ^{*6*7}	Off , Normal, Maximum

*1 Available only when the corresponding option is installed.

*2 Available only when you use A4, A3, A5, B4, B5, LT, HLT, LGL, GLT, GLG, B, EXE, or F4 size paper.

*3 Available only for ESC/Page, ESC/P2, FX, or I239X mode.

*4 Not available in PS3.

*5 Not available in PCL.

*6 After this item is changed, the setting value takes effect after a warm boot or after the power is turned on again.

*7 Not available when a CompactFlash memory is installed.

Language

Specifies the language displayed on the LCD panel and that printed on the status sheet.

Time to Sleep

Specifies the length of time until the printer enters the sleep mode if there are no button operations and no jobs to be printed.

Time Out

Specifies the length of the time, in seconds, before a time out when interfaces are being switched automatically. The time before a time out occurs is the length of time from the point when no data is being received from an interface until the point of switching the interface. If the printer has a print job when switching the interface, the printer prints the print job.

Paper Source

Specifies whether paper feeds into the printer from the MP tray, the standard paper cassette, or the optional paper cassette unit.

If you select **Auto**, paper feeds from the paper source containing paper that matches your Paper Size setting.

Out Bin

Specifies the output tray when the optional Stacker is installed.

Stacker

Specifies whether or not to output the paper to the face-down tray when the Stacker is full.

MP Mode

This setting determines whether the MP tray has the highest or lowest priority when **Auto** is selected as the Paper Source setting in the printer driver. When **Normal** is selected as the MP Mode, the MP tray has the highest priority as the paper source. If you select **Last**, the MP tray has the lowest priority.

Manual Feed

Allows you to select the manual feed mode for the MP tray.

Copies

Designates the number of copies to be printed, from 1 through 999.

Duplex

Turns duplex printing on or off. This allows you to print on both sides of a page.

Binding

Specifies the binding direction of the printout.

Start Page

Specifies whether duplex printing starts from the front or back of the page.

Paper Type

Specifies the type of paper to be used for printing. When **Resolution** is set to **600**, the printer adjusts the printing speed according to this setting. The printing speed is reduced when **ExtraThk** or **Transparency** is selected.

Skip Blank Page

Enables you to skip blank pages when printing. This setting is available when you print in the **ESC/Page**, **ESCP2**, **FX**, or **I239X** mode.

Auto Eject Page

Specifies whether or not to eject paper when the limit specified in the Time Out setting is reached. The default is **Off**, which means paper is not ejected when the time-out limit is reached.

Size Ignore

If you want to ignore a paper size error, select **On**. When you turn this item on, the printer keeps printing even if the image size exceeds the printable area for the specified paper size. This may cause smudges because of the toner that is not transferred onto the paper properly. When this item is turned off, the printer stops printing if a paper size error occurs.

Auto Cont

When you turn this setting on, the printer automatically continues printing after a certain period of time when one of the following errors occurs: Paper Set, Print Overrun, Memory Overflow, Duplex Memory Overflow, or Invalid Data. When this option is off, you must press the **Start/Stop** button to resume printing.

Page Protect

Allocates additional printer memory for printing data, as opposed to receiving it. You may need to turn this setting on if you are printing a very complex page. If a **Print Overrun** error message appears on the LCD panel during printing, turn this setting on and reprint your data. This reduces the amount of memory reserved for processing data so your computer may take longer to send the print job, but it will allow you to print complex jobs. Page Protect usually works best when **Auto** is selected. You will need to increase your printer's memory if memory errors continue to occur.

Note:

Changing the Page Protect setting reconfigures the printer's memory, which causes any downloaded fonts to be deleted.

Toner Alert

Specifies whether or not to stop printing temporarily when the imaging cartridge is near the end of its service life.

LCD Contrast

Adjusts the contrast of the LCD panel. Use the **▲ Up** and **▼ Down** buttons to set the contrast between **0** (lowest contrast) and **15** (highest contrast.)

RAM Disk

Specifies the RAM disk size available for the Reserve Job function. See the table below for details.

Optional RAM capacity (Total RAM capacity)	RAM Disk setting		
	Off	Normal	Maximum
0 MB (Total 128 MB)	Disabled	16 MB	16 MB
64 MB (Total 192 MB)		32 MB	64 MB
128 MB (Total 256 MB)		64 MB	128 MB
192 MB (Total 320 MB)		96 MB	144 MB
256 MB (Total 384 MB)		128 MB	144 MB
320 MB (Total 448 MB)		160 MB	192 MB
448 MB (Total 576 MB)		224 MB	320 MB

Reset Menu

Clear Warning

Clears warning messages that show errors except for these that occur from consumable products or mandatory-replacement parts.

Clear All Warnings

Clears all warning messages that appear on the LCD panel.

Reset

Stops printing and clears the current job received from the active interface. You may want to reset the printer when there is a problem with the print job itself and the printer cannot print successfully.

Reset All

Stops printing, clears the printer memory, and reboots automatically. The print jobs received from all interfaces are erased.

Note:

Performing Reset All clears print jobs received from all interfaces. Be careful not to interrupt someone else's job.

SelecType Init

Restores the control panel menu settings to their default values.

Reset Transfer Counter

Reset the transfer life counter when you replace the transfer.

Reset Fuser Counter

Reset the fuser unit life counter when you replace the fuser unit.

Reset Feed Roller C2/C3/C4 Counter

Reset the feed roller C2/C3/C4 life counter when you replace the feed roller C2/C3/C4.

Quick Print Job Menu

This menu allows you to print or delete print jobs that were stored in the printer's memory using the Quick Print Job feature (Re-Print Job, Verify Job, Stored Job) of the printer driver's Reserve Job function. For instructions on using this menu, see "Using the Quick Print Job Menu" on page 104.

Confidential Job Menu

This menu allows you to print or delete print jobs stored in the printer's memory using the Confidential Job feature of the printer driver's Reserve Job function. You need to enter the correct password to access this data. For instructions on using this menu, see "Using the Confidential Job Menu" on page 105.

Clock Menu

Item	Settings (default in bold)
Local Time Diff.	-13:59 ... 0:00 ... +13:59
Time Setting	2000/ 01/01 00:00 to 2099/12/31 23:59
Date Format	DD/MM/YY , MM/DD/YY, YY/MM/DD

Local Time Diff.

Specifies the current date and time by entering the time difference from Greenwich Mean time.

Time Setting

Specifies the current date and time by entering them directly.

Date Format

Specifies the format to display the date.

Parallel Menu

These settings control communication between the printer and the computer when using the parallel interface.

Item	Settings (default in bold)
Parallel I/F ^{*1}	On , Off
Speed ^{*1*2}	Fast , Normal
Bi-D ^{*1*2}	ECP , Off, Nibble
Buffer Size ^{*1*2}	Normal , Maximum, Minimum

*1 After this item is changed, the setting value takes effect after a warm boot or after the power is turned on again. While it is reflected in the Status Sheet and EJM read-back, the actual change takes effect after a warm boot or after the power is turned on again.

*2 Available only when USB I/F is set to On.

Parallel I/F

Allows you to activate or deactivate the parallel interface.

Speed

Specifies the pulse width of the ACKNLG signal when receiving data in the Compatibility mode or Nibble mode. When **Fast** is selected, the pulse width is about 1 μ s. When **Normal** is selected, the pulse width is about 10 μ s.

Bi-D

Allows you to specify the bidirectional communication mode. When you select **Off**, bidirectional communication is disabled.

Buffer Size

Determines the amount of memory to be used for receiving data and printing data. If **Maximum** is selected, more memory is allocated for receiving data. If **Minimum** is selected, more memory is allocated for printing data.

Note:

- To activate Buffer Size settings, you must turn off the printer for more than five seconds then turn it back on. Or, you can perform a **Reset All** operation, as explained in “Reset Menu” on page 76.
- Resetting the printer erases all print jobs. Make sure the Ready light is not flashing when you reset the printer.

USB Menu

Item	Settings (default in bold)
USB I/F ^{*1}	On , Off
USB Speed ^{*1 *2}	HS , FS
Get IP Address ^{*2 *3}	Auto, PING, Panel
IP ^{*2 *3 *4 *5}	0.0.0.1 to 255.255.255.254
SM ^{*2 *3}	0.0.0.0 to 255.255.255.255
GW ^{*2 *3}	0.0.0.0 to 255.255.255.255
NetWare ^{*2 *3}	On, Off
AppleTalk ^{*2 *3}	On, Off
MS Network ^{*2 *3}	On, Off
Bonjour ^{*2 *3}	On, Off
USB Ext I/F Init ^{*2 *3}	-

Item	Settings (default in bold)
Buffer Size *1 *2	Normal , Maximum, Minimum

*1 After this item is changed, the setting value takes effect after a warm boot or after the power is turned on again. While it is reflected in the Status Sheet and EJM read-back, the actual change takes effect after a warm boot or after the power is turned on again.

*2 Available only when USB I/F is set to On.

*3 Available only when a USB external device with D4 support is connected. The contents of the settings depend on the USB external device settings.

*4 If the Get IPAddress setting is set to Auto, this setting cannot be changed.

*5 When the Get IPAddress setting is changed from Panel or PING to Auto, the panel setting values are saved. Then Auto is changed back to Panel or PING, the saved setting values are displayed. The value is set to 192.168.192.168 if the settings are not made from the panel.

USB I/F

Allows you to activate or deactivate the USB interface.

USB Speed

Allows you to select the operation mode of USB interface. Selecting HS is recommended. Select FS if HS does not work on your computer system.

Buffer Size

Determines the amount of memory to be used for receiving data and printing data. If Maximum is selected, more memory is allocated for receiving data. If Minimum is selected, more memory is allocated for printing data.

Note:

- To activate Buffer Size settings, you must turn off the printer for more than five seconds then turn it back on. Or, you can perform a Reset All operation, as explained in "Reset Menu" on page 76.
- Resetting the printer erases all print jobs. Make sure the **Ready** light is not flashing when you reset the printer.

Network Menu

See the *Network Guide* for each setting.

AUX Menu

See the *Network Guide* for each setting.

PCL Menu

These settings are available in the PCL mode.

Item	Settings (default in bold)
FontSource	Resident , Download* ¹
Font Number	0 ... 65535 (depending on your settings)
Pitch* ²	0.44 ... 10.00 ... 99.99 cpi in 0.01 cpi increment
Height* ²	4.00 ... 12.00 ... 999.75 pt in 0.25 pt increment
SymSet	IBM-US , Roman-8, Roman-9, ECM94-1, 8859-2 ISO, 8859-9 ISO, 8859-10ISO, 8859-15ISO, PcBlt775, IBM-DN, PcMultiling, PcE.Europe, PcTk437, PcEur858, Pc1004, WiAnsi, WiE.Europe, WiTurkish, WiBALT, DeskTop, PsText, VeInternati, VeUS, MsPublishin, Math-8, PsMath, VeMath, PiFont, Legal, UK, ANSI ASCII, Swedis2, Italian, Spanish, German, Norweg1, French2, Windows, McText, Hebrew7, 8859-8 ISO, Hebrew8, Arabic8, OCR A, OCR B, Pc866Cyr, Pc866Ukr, WinCyr, ISOCyr, Pc8Grk, Pc851Grk, WinGrk, ISOGrk, Greek8, Pc862Heb, Pc864Ara, HPWARA
Form	5 ... 64 ... 128 lines
CR Function	CR , CR+LF
LF Function	LF , CR+LF
Tray Assign	4K , 5S, 4

*¹ Available only when downloaded fonts are available.

*² Depending on the font that has been selected.

FontSource

Sets the default font source.

Font Number

Sets the default font number for the default font source. The available number depends on the settings you made.

Pitch

Specifies the default font pitch if the font is scalable and of fixed-pitch. You can select from 0.44 to 99.99 cpi (characters per inch), in 0.01-cpi increments. This item may not appear depending on the Font Source or Font Number settings.

Height

Specifies the default font height if the font is scalable and proportional. You can select from 4.00 to 999.75 points, in 0.25-point increments. This item may not appear depending on the Font Source or Font Number settings.

SymSet

Selects the default symbol set. If the font you selected in Font Source and Font Number is not available in the new SymSet setting, the Font Source and the Font Number settings are automatically replaced with the default value, IBM-US.

Form

Selects the number of lines for the selected paper size and orientation. This also causes a line spacing (VMI) change, and the new VMI value is stored in the printer. This means that later changes in the Page Size or Orientation settings cause changes in the Form value, based on the stored VMI.

CR Function, LF Function

These functions are included for users of particular operating systems, such as UNIX.

Tray Assign

Changes the assignment for the paper source select command. When 4 is selected, the commands are set as compatible with the HP LaserJet 4. When 4K is selected, the commands are set as compatible with the HP LaserJet 4000, 5000, and 8000. When 5S is selected, the commands are set as compatible with the HP LaserJet 5S.

PS3 Menu

Item	Settings (default in bold)
Error Sheet	Off , On
Image Protect	Off , On
Binary	Off , On

Item	Settings (default in bold)
Text Detection	Off , On
PDF Page Size	Auto, A4 , A3, A5, A6, B4, B5, LT, HLT, LGL, GLT, GLG, B, EXE, F4, MON, C10, DL, C5, C6, IB5

Error Sheet

When you select **On**, the printer prints out an error sheet when an error occurs in the PS3 mode or when the PDF file you tried to print is not a supported version.

Image Protect

When **On** is selected, the print quality is not reduced even with insufficient memory. In that case, `Memory Overflow` is displayed and the printing is stopped.

When **Off** is selected, the print quality is reduced with insufficient memory. In that case, `Image Optimum` is displayed and the printing is continued.

Binary

Specifies the data format. Select **On** for the Binary data and select **Off** for the ASCII data.

Note:

- Binary can only be used with network connection.*
- You do not have to select **On** when using AppleTalk.*

To use the Binary data, make sure your application supports Binary data and that `SEND CTRL-D Before Each Job` and `SEND CTRL-D After Each Job` are set to **No**.

When this setting is set to **On**, you cannot use TBCP (Tagged binary communication protocol) in the printer driver settings.

Text Detection

When you select **On**, the text file is converted to a PostScript file when printing. This setting is available only when you select `PS3` in the `Emulation Menu`.

PDF Page Size

Specifies the paper size when you send the PDF file directory from a computer or some other device. If `Auto` is selected, the paper size is determined based on the size of the first page that is printed.

ESCP2 Menu

Item	Settings (default in bold)
Font	Courier , Prestige, Roman, Sans serif, Roman T, Orator S, Sans H, Script, OCR A, OCR B
Pitch	10 , 12, 15 cpi, Prop.
Condensed	Off , On
T. Margin	0.40 ... 0.50 ... 1.50 inches in 0.05-inch increments
Text	1... 66 ... 117 lines
CGTable	PcUSA , Italic, PcMultilin, PcPortugue, PcCanFrenc, PcNordic, PcTurkish2, Pclcelandic, PcE.Europe, BpBRASCI, BpAbicomp, Roman-8, PcEur858, ISO Latin1, 8859-15ISO, PcSI437, PcTurkish1, 8859-9ISO, Mazowia, CodeMJK, PcGk437, PcGk851, PcGk869, 8859-7 ISO, PcCy855, PcCy866, PcUkr866, Pclit771, Bulgarian, Hebrew7, Hebrew8, PcHe862, PcAr864, PcAr864Ara, PcAr720, Pclit774, Estonia, ISO Latin2, PcLat866
Country	USA , France, Germany, UK, Denmark, Sweden, Italy, Spain1, Japan, Norway, Denmark2, Spain2, LatinAmeric, Korea, Legal
Auto CR	On , Off
Auto LF	Off , On
Bit Image	Dark , Light, BarCode
ZeroChar	0 , (or the zero character with a slash)

Font

Selects the font.

Pitch

Selects the pitch (the horizontal spacing) of the font in fixed pitch, measured in cpi (characters per inch). You can also choose proportional spacing.

Condensed

Turns condensed printing on or off.

T. Margin

Sets the distance from the top of the page to the baseline of the first printable line. The distance is measured in inches. The smaller the value, the closer the printable line is to the top.

Text

Sets the page length in lines. For this option, a line is assumed to be 1 pica (1/6 inch). If you change the Orientation, Page Size, or T. Margin settings, the page length setting automatically returns to the default for each paper size.

CG Table

Use the character generator (CG) table option to select the graphics character table or the italics table. The graphics table contains graphic characters for printing lines, corners, shaded areas, international characters, Greek characters, and mathematical symbols. If you select *Italic*, the upper half of the character table is defined as italic characters.

Country

Use this option to select one of the fifteen international symbol sets. See the *Font Guide* for samples of the characters in each country's symbol set.

Auto CR

Specifies whether the printer performs a carriage-return/line-feed (CR-LF) operation whenever the printing position goes beyond the right margin. If you select *Off*, the printer does not print any characters beyond the right margin and does not perform any line wrapping until it receives a carriage-return character. This function is handled automatically by most applications.

Auto LF

If you select *Off*, the printer does not send an automatic line-feed (LF) command with each carriage-return (CR). If *On* is selected, a line-feed command is sent with each carriage-return. Select *On* if your text lines overlap.

Bit Image

The printer is able to emulate the graphics densities set with the printer commands. If you select *Dark*, the bit image density is high, and if you select *Light*, the bit image density is low.

If you select *BarCode*, the printer converts bit images to bar codes by automatically filling in any vertical gaps between dots. This produces unbroken vertical lines that can be read by a bar code reader. This mode will reduce the size of the image being printed, and may also cause some distortion when printing bit image graphics.

ZeroChar

Specifies whether the printer prints a slashed or unslashed zero.

FX Menu

Item	Settings (default in bold)
Font	Courier , Prestige, Roman, Sans serif, Script, Orator S, OCR A, OCR B
Pitch	10 , 12, 15 cpi, Prop.
Condensed	Off , On
T. Margin	0.40 ... 0.50 ... 1.50 inches in 0.05-inch increments
Text	1... 66 ... 117 lines
CGTable	PcUSA , Italic, PcMultilin, PcPortugue, PcCanFrenc, PcNordic, PcTurkish2, Pclcelandic, PcE.Europe, BpBRASCI, BpAbicomp, Roman-8, PcEur858, ISO Latin1, 8859-15ISO
Country	USA , France, Germany, UK, Denmark, Sweden, Italy, Spain1, Japan, Norway, Denmark2, Spain2, LatinAmeric
Auto CR	On , Off
Auto LF	Off , On
Bit Image	Dark , Light, BarCode
ZeroChar	0 , (or the zero character with a slash)

Font

Selects the font.

Pitch

Selects the pitch (the horizontal spacing) of the font in fixed pitch, measured in cpi (characters per inch). You can also choose proportional spacing.

Condensed

Turns condensed printing on or off.

T. Margin

Sets the distance from the top of the page to the baseline of the first printable line. The distance is measured in inches. The smaller the value, the closer the printable line is to the top.

Text

Sets the page length in lines. For this option, a line is assumed to be 1 pica (1/6 inch). If you change the Orientation, Page Size, or T. Margin settings, the page length setting automatically returns to the default for each paper size.

CG Table

Use the character generator (CG) table option to select the graphics character table or the italics table. The graphics table contains graphic characters for printing lines, corners, shaded areas, international characters, Greek characters, and mathematical symbols. If you select *Italic*, the upper half of the character table is defined as italic characters.

Country

Use this option to select one of the thirteen international symbol sets. See the *Font Guide* for samples of the characters in each country's symbol set.

Auto CR

Specifies whether the printer performs a carriage-return/line-feed (CR-LF) operation whenever the printing position goes beyond the right margin. If you select *Off*, the printer does not print any characters beyond the right margin and does not perform any line wrapping until it receives a carriage-return character. This function is handled automatically by most applications.

Auto LF

If you select *Off*, the printer does not send an automatic line-feed (LF) command with each carriage-return (CR). If *On* is selected, a line-feed command is sent with each carriage-return. Select *On* if your text lines overlap.

Bit Image

The printer is able to emulate the graphics densities set with the printer commands. If you select *Dark*, the bit image density is high, and if you select *Light*, the bit image density is low.

If you select *BarCode*, the printer converts bit images to bar codes by automatically filling in any vertical gaps between dots. This produces unbroken vertical lines that can be read by a bar code reader. This mode will reduce the size of the image being printed, and may also cause some distortion when printing bit image graphics.

ZeroChar

Selects whether the printer prints a slashed or unslashed zero.

I239X Menu

The I239X mode emulates IBM® 2390/2391 Plus commands.

These settings are available only when the printer is in the I239X mode.

Item	Settings (default in bold)
Font	Courier , Prestige, Gothic, Orator, Script, Presentor, Sans serif
Pitch	10 , 12, 15, 17, 20, 24 cpi, Prop.
Code Page	437 , 850, 858, 860, 863, 865
T. Margin	0.30 ... 0.40 ...1.50 inches in 0.05-inch increments
Text	1 ... 67 ... 117 lines
Auto CR	Off , On
Auto LF	Off , On
Alt. Graphics	Off , On
Bit Image	Dark , Light
ZeroChar	0 , (or the zero character with a slash)
CharacterSet	1, 2

Font

Selects the font.

Pitch

Selects the pitch (the horizontal spacing) of the font in fixed pitch, measured in cpi (characters per inch). You can also choose proportional spacing.

Code Page

Selects the character tables. Character tables contain the characters and symbols used by different languages. The printer prints text based on the selected character table.

T. Margin

Sets the distance from the top of the page to the baseline of the first printable line. The distance is measured in inches. The smaller the value, the closer the printable line is to the top.

Text

Sets the page length in lines. For this option, a line is assumed to be 1 pica (1/6 inch). If you change the Orientation, Page Size, or T. Margin settings, the page length setting automatically returns to the default for each paper size.

Auto CR

Specifies whether the printer performs a carriage-return/line-feed (CR-LF) operation whenever the printing position goes beyond the right margin. If this setting is off, the printer does not print any characters beyond the right margin and does not perform any line wrapping until it receives a carriage-return character. This function is handled automatically by most applications.

Auto LF

If you select **Off**, the printer does not send an automatic line-feed (LF) command with each carriage-return (CR). If **On** is selected, a line-feed command is sent with each carriage-return. Select **On** if your text lines overlap.

Alt.Graphics

Turns the Alternate Graphics option on or off.

Bit Image

The printer is able to emulate the graphics densities set with the printer commands. If you select **Dark**, the bit image density is high, and if you select **Light**, the bit image density is low.

If you select **BarCode**, the printer converts bit images to bar codes by automatically filling in any vertical gaps between dots. This produces unbroken vertical lines that can be read by a bar code reader. This mode will reduce the size of the image being printed, and may also cause some distortion when printing bit image graphics.

ZeroChar

Selects whether the printer prints a slashed or unslashed zero.

CharacterSet

Selects character table 1 or 2.

Password Config Menu

Item	Settings (default in bold)
Password Config *	-
Limitation	Disable , Interface, Config, All

* The default password is blank. You can enter up to 20 characters for the password.

Password Config

Changes the password. Enter the old password first and then enter the new password twice.

To enter the password, press the ▼ **Down** or ▲ **Up** button to select the character and press the ► **Right** button to determine the character. After all characters are determined, press the **OK** button.

Limitation

Changes the restriction range. When **Interface** is selected, the password is required to change the settings in the USB and Network menus. When **Config** is selected, the password is required to enter Quick Print Job or Confidential Job, or to change the settings in all menus. When **All** is selected, the password is required to enter Quick Print Job or Confidential Job, or to change the settings and to perform the items in all menus. Before changing the setting, you have to enter the password set in the Password Config setting.

Support Menu

Enter the Support Mode by pressing the ▼ **Down** button while turning the printer on, to make Support Menu and Printer Adjust Menu appear.

**Caution:**

- Select only the items below from the Support Menu. Do not select any items on the Print Adjust Menu.*
- When formatting the CompactFlash or deleting the data, unplug the interface cables and do not print files.*

Format CompactFlash

Formats the CompactFlash memory in the printer if a CompactFlash memory is installed.

Format PS3 CompactFlash

Formats the CompactFlash area where PostScript information is stored if a CompactFlash memory is installed.

Delete All CompactFlash Data

Deletes all data in the CompactFlash memory if a CompactFlash memory is installed.

Bookmark Menu


The bookmark menu appears by pressing the **OK** button while the LCD panel displays *Ready* or *Sleep*.

In the bookmark menu, the bookmarked setting items are listed and you can select one of them. The following menus are bookmarked by default.

- Reset Menu
- MP Tray Size
- System Information

To register the menus in bookmark, see “How to register menus as bookmarks” on page 65 for details.

Status and Error Messages

This section contains a list of error messages shown on the LCD panel, a brief description of each message and suggestions for correcting the problem. Note that not every message shown on the LCD panel indicates a problem. When the  mark is displayed at the right of the warning message, multiple warnings occur. To confirm all warnings that occur, press the **▼ Down** button to display the Status Menu, then press the **► Right** button. The LCD panel also displays the remaining service life of the consumables and available paper sizes.


Bookmark Failed

The selected menu cannot be registered as a bookmark. Some menus cannot be registered as bookmarks.


Bookmark Registered

The selected menu is registered as a bookmark.

Cancel All Print Job

The printer is canceling all print jobs in the printer memory, including jobs the printer is currently receiving or printing. This message appears when the  **Cancel Job** button has been pressed down for more than 2 seconds.

Cancel Print Job

The printer is canceling the current print job. This message appears when the  **Cancel Job** button has been pressed and released within 2 seconds.

Cancel Print Job (by host)


The print job is canceled at the printer driver.

Can't Print

The print data is deleted because it is incorrect.

Make sure the appropriate paper size and printer driver are used.

Can't Print Duplex

The printer has encountered problems during duplex printing. Make sure you are using an appropriate type and size of paper for the duplex printing. The problem could also be a result of incorrect settings for the paper source you are using. Pressing the **Start/Stop** button will print the rest of the print job on only one side of the paper. Press the  **Cancel Job** button to cancel the print job.

Can't Use Bookmark

The registered menu cannot be used because the menu is disabled by changing any settings after registered the menu in bookmark.

CF CHECK

The printer is checking the CompactFlash memory.

Check Duplex Paper Size

The paper size loaded in the printer is not appropriate for the optional Duplex Unit. Load correct paper size and press the **Start/Stop** button to resume printing.

Check Paper Size

The paper size setting is different from the size of paper loaded in the printer. Check to see if the correct size of paper is loaded in the specified paper source.

To clear this error, select `Clear Warning` from the control panel's `Reset Menu`. See "How to access the control panel menus" on page 64 for instructions.

Check Paper Type

The paper loaded in the printer does not match the paper type setting in the printer driver. Paper that matches only the paper size setting will be used for printing.

To clear this error, select `Clear Warning` from the control panel's `Reset Menu`. See "How to access the control panel menus" on page 64 for instructions.

Check Selected Outbin

The printouts are output on the face-down tray because the paper size or paper type is not supported by the stacker.

Collate Disabled

Printing by specifying the number of copies is no longer possible due to a lack of memory (RAM). If this error occurs, print only one copy at a time.

To clear this error, select `Clear Warnings` from the control panel's `Reset Menu`. See "How to access the control panel menus" on page 64 for instructions.

CompactFlash Error

The installed CompactFlash memory is not supported by the printer or you selected `No` when the `Format Required` was displayed on the control panel. This error also appears when the installed CompactFlash memory size is smaller than 4 GB. Turn off the printer and remove the CompactFlash memory. If `Format Required` is displayed on the control panel, select `Yes`.

CompactFlash Full

The optional CompactFlash memory is full and you cannot save any data. Delete the unnecessary data from the CompactFlash memory.

To clear this error, select `Clear Warnings` from the control panel's `Reset Menu`. For instruction about accessing the control panel menus, see "How to access the control panel menus" on page 64.

Cooling Down

The printer is cooling down.

Correct time using Time Setting


The current time setting is reset because you did not connect the power cord for a long time. To clear this error, select `Time Setting` from `Clock Menu` and specify the current date and time.

DM Error yyy

The Duplex Unit has become separated from the printer.

Duplex Memory Overflow

There is not enough memory for duplex printing. The printer prints only on the front and ejects the paper. To clear this error, follow the instructions below.

If `Off` is selected as the `Auto Cont` setting on the control panel's `Setup Menu`, press the **Start/Stop** button to print on the back of the next sheet, or press the  **Cancel Job** button to cancel the print job.

If **On** is selected as the **Auto Cont** setting on the control panel's **Setup Menu**, printing continues automatically after a certain period of time.

Face-down Full

The output paper at the face-down tray is full. Remove the paper that has been output and press the **Start/Stop** button. Printing resumes.

Feed Roller C2 Needed Soon, Feed Roller C3 Needed Soon, Feed Roller C4 Needed Soon

This message indicates that the feed roller C2, C3, or C4 is near the end of its service life. You can continue to print until the **Replace Feed Roller C2**, **Replace Feed Roller C3**, or **Replace Feed Roller C4** message appears.

To clear this warning message and continue printing, select **Clear All Warnings** from the control panel's **Reset Menu**. For instruction about accessing the control panel menus, see "How to access the control panel menus" on page 64.

Form Data Canceled

Unable to store form overlay data on the optional CompactFlash memory. Either the CompactFlash memory is not installed correctly, or the maximum number of form overlay files has been reached. Confirm that the optional CompactFlash memory is installed correctly, or delete any form overlay files you no longer need, and then try storing the new overlay again.

To clear this error, select **Clear Warnings** from the control panel's **Reset Menu**. For instruction about accessing the control panel menus, see "How to access the control panel menus" on page 64.

Form Feed

The printer is ejecting paper due to a user request. This message appears when pressing the **Start/Stop** button once to make the printer offline, then holding down the **Start/Stop** button for more than 2 seconds in order not to receive form feed command.

Format Error ROM A

An unformatted ROM module has been inserted.

To clear this error, either press the **Start/Stop** button or turn off the printer and remove the ROM module, then reinstall the ROM module. If that fails to clear the error, contact your dealer.

Format Required

The installed CompactFlash memory needs to be formatted to use it with the printer.

Select **Yes** to format the memory, or select **No** to cancel formatting. If you select **No**, **CompactFlash Error** is displayed and you cannot use the memory for the printer. In that case, turn off the printer and remove the CompactFlash memory.

Formatting CF

The CompactFlash memory is being formatted.

Fuser Needed Soon

This message indicates that the fuser unit is near the end of its service life. You can continue to print until the **Replace Fuser** message appears.

To clear this warning message and continue printing, select **Clear All Warnings** from the control panel's **Reset Menu**. For instruction about accessing the control panel menus, see "How to access the control panel menus" on page 64.

Image Optimum

There is insufficient memory to print the page at the specified print quality. The printer automatically lowers the print quality so that it can continue printing. If the quality of the printout is not acceptable, try simplifying the page by limiting the number of graphics or reducing the number and size of fonts.

To clear this error, select **Clear Warning** from the control panel's **Reset Menu**. See "How to access the control panel menus" on page 64 for instructions.

You may need to increase the amount of printer memory to be able to print at the desired print quality for your document. For more information on adding memory, see "Memory Module" on page 131.

Install Toner Cartridge

The imaging cartridge is not installed in the printer.

Install the imaging cartridge. See "Replacing Consumable Products" on page 147.

Invalid AUX I/F Card

This message means that the printer cannot communicate with the installed optional interface card. Turn off the printer, remove the card, then reinstall it.

Invalid Data

The spool file on the driver is deleted while printing or the data is abnormal. Press the **Start/Stop** button to clear the error.

Invalid N/W Module

There is no network program, or the network program cannot be used with your printer. Contact a qualified service representative.

Invalid PS3

There are errors in the ROM module. Turn off the printer and contact your dealer.

Invalid ROM A

The printer cannot read the installed optional ROM module. Turn off the printer, then remove the ROM module.

Jam Paper Size Error

The paper jam occurred because the loaded paper size is different from the specified paper size. Remove the jammed paper. See “Clearing Jammed Paper” on page 156 for instructions on removing the jammed paper.

Maintenance Unit Needed Soon


This message indicates that the maintenance unit is near the end of its service life. You can continue to print until the `ReplacE Maintenance Unit` message appears.

To clear this warning message and continue printing, select `Clear All WarninGs` from the control panel's `Reset Menu`. For instruction about accessing the control panel menus, see “How to access the control panel menus” on page 64.

Manual Feed ssss

The manual feed mode is specified for the current print job. Make sure the paper size indicated by `ssss` is loaded, then press the **Start/Stop** button.

Memory Overflow

The printer has insufficient memory to execute the current task. Press the **Start/Stop** button on the control panel to resume printing, or press the  **Cancel Job** button to cancel the print job.

Need Memory

The printer has insufficient memory to complete the current print job.

To clear this error message, select **Clear Warning** from the control panel's **Reset Menu**. See "How to access the control panel menus" on page 64 for instructions.

To prevent this problem from recurring, add more memory to your printer as described in "Memory modules" on page 235, or reduce the resolution of the image to be printed.

Non-Genuine Toner Cartridge

The installed imaging cartridge is not a genuine Epson product. Installing a genuine imaging cartridge is recommended. The printout and remaining service life of the imaging cartridge displayed on the control panel may be different from those when using genuine Epson imaging cartridge. Epson shall not be liable for any damages or problems arising from the use of consumable products not manufactured or approved by Epson.

Install a genuine Epson product, or **Clear All Warnings** of the **Reset Menu** on the control panel to clear the warning message. See "Replacing Consumable Products" on page 147 for instructions on replacing the toner cartridge.

Offline

The printer is not ready to print. Press the **Start/Stop** button.

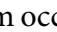

Open (www Open)

The specified cover (www) is not closed securely. Open the cover once, and then close.

Optional RAM Error

The optional memory module may be corrupted or incorrect. Replace it with a new one.

Paper Jam WWWW

The location where the paper jam occurred is displayed at .  indicates the location of the error.


If a paper jam occurs at two or more locations simultaneously, the corresponding multiple locations are displayed.

Location	Description
Paper Jam A	Paper is jammed at cover A. For instructions on clearing this type of paper jam, see "Paper Jam A (Cover A)" on page 157.
Paper Jam B A	Paper is jammed inside the output path cover (cover A or B) or fuser unit. For instructions on clearing this type of paper jam, see "Paper Jam B A (Cover B or A)" on page 161.
Paper Jam MP A	Paper is jammed at the MP tray. For instructions on clearing this type of paper jam, see "Paper Jam MP A (MP tray or Cover A)" on page 168.
Paper Jam C1 A Paper Jam C2 A Paper Jam C3 A Paper Jam C4 A	Paper is jammed at the indicated cassette. For instructions on clearing this type of paper jam, see "Paper Jam C1 A, Paper Jam C2 A, Paper Jam C3 A, Paper Jam C4 A (All paper cassettes and Cover A)" on page 172.
Paper Jam DM	Paper is jammed inside the optional Duplex Unit's paper path or cover (Duplex Unit's cover). For instructions on clearing this type of paper jam, see "Paper Jam DM (Duplex Unit's cover)" on page 181.
Paper Jam STK	Paper is jammed inside the optional Stacker's paper path or cover (Stacker cover). For instructions on clearing this type of paper jam, see "Paper Jam STK (Stacker)" on page 183.

Paper Out tttt sssss

There is no paper in the specified paper source (tttt). Load paper of the size (sssss) into the paper source.

Paper Set tttt sssss


The paper loaded in the specified paper source (tttt) does not match the required paper size (sssss). Replace the loaded paper with the correct size paper and press the **Start/Stop** button to resume printing, or press the  **Cancel Job** button to cancel the print job.

If you press the **Start/Stop** button without replacing the paper, the printer will print on the loaded paper even though it does not match the required size.

Password Changed

The password has been changed successfully.

Print Overrun

The required time to process the print data exceeded the print engine speed because the current page is too complex. Press the **Start/Stop** button to resume printing, or press the  **Cancel Job** button to cancel the print job. If this message appears again, select **On** as the **Page Protect** setting in the control panel's **Setup Menu** or select **Avoid Page Error** on the printer driver.

If you continue to receive this message when printing a particular page, try simplifying the page by limiting the number of graphics or reducing the number and size of fonts.

To avoid this error, it is recommended that you set the **Page Protect** setting to **On** and add more memory to the printer. See “Setup Menu” on page 72 and “Memory Module” on page 131 for details.

PS3 CompactFlash Full

The memory allocated for writing PostScript 3 commands on the optional CompactFlash memory is full.

To clear this error, select **Clear Warning** from the control panel's **Reset Menu**. For instruction about accessing the control panel menus, see “How to access the control panel menus” on page 64.

RAM CHECK

The printer is checking the RAM.

Ready

The printer is ready to receive data and print.

Replace Feed Roller C2, Replace Feed Roller C3, Replace Feed Roller C4

The feed roller C2, C3, or C4 has reached the end of its service life and needs to be replaced. If this error occurs, consult your dealer.

Replace Fuser

The fuser has reached the end of its service life and needs to be replaced. If this error occurs, consult your dealer.

Replace Maintenance Unit

The maintenance unit has reached the end of its service life and needs to be replaced. If this error occurs, consult your dealer.

Replace Toner Cartridge

The imaging cartridge has reached the end of its service life and need to be replaced. See “Replacing Consumable Products” on page 147 for instructions.

Replace Transfer Unit

The transfer unit has reached the end of its service life and needs to be replaced. If this error occurs, consult your dealer.

Reserve Job Canceled

The printer cannot store the data of your print job using the Reserve Job function. The maximum number of print jobs stored on the printer's memory has been reached, or the memory has no more memory available to store a new job. To store a new print job, delete a previously stored job. Also, if you have any Confidential Jobs stored, printing those jobs will make more memory available.

You may also increase the available memory space by changing the `RAM Disk` setting to `Normal` or `Maximum`. For details, see “Setup Menu” on page 72.

To clear this error, select `Clear Warnings` from the control panel's `Reset Menu`. For instruction about accessing the control panel menus, see “How to access the control panel menus” on page 64.

Reset

The printer's current interface has been reset and the buffer has been cleared. However, other interfaces are still active and retain their settings and data.

Reset All

All printer's interface has been reset and the buffer has been cleared. The printer reboots automatically.

Reset to Save

A control panel menu setting was changed while the printer was printing. Press the **Start/Stop** button to clear this message. The setting will become effective after printing has finished.

Alternatively you can clear this message by performing `Reset` or `Reset All` on the control panel. However, the print data will be deleted.

ROM CHECK

The printer is checking the ROM.

SELF TEST

The printer is currently performing a self test and initialization.

Service Req Cffff/Service Req Exxx

A controller error or a print engine error has been detected. Turn off the printer. Wait at least 5 seconds, then turn it back on. If the error message still appears, write down the error number listed on the LCD panel (Cffff/Exxx), turn off the printer, unplug the power cord, then contact a qualified service representative.

Set MP Tray

The MP tray is not installed correctly. Pull out the MP tray, and then insert it again.

Sleep

The printer is currently in the power-save mode. This mode is canceled when the printer receives print data.

Stacker Full

The output paper at the Stacker is full. Remove the paper that was output and press the **Start/Stop** button. Printing resumes.

Toner Cart Error

A read/write error has occurred for the imaging cartridge. Remove the imaging cartridge and reinsert it. If that fails to clear the error, replace the imaging cartridge.

To install the imaging cartridge, see “Replacing Consumable Products” on page 147.

Toner Low

This message indicates that the imaging cartridge is near the end of its service life. Prepare a new imaging cartridge.

Transfer Unit Needed Soon

This message indicates that the transfer unit is near the end of its service life. You can continue to print until the **Replace Transfer Unit** message appears. You can continue to print until the **Replace Transfer Unit** message appears.

Turn Paper MP tray

The direction of the paper loaded in the MP tray does not match the required paper direction.

Correct the tray paper size switch and/or the **MP Tray Size** setting. Then reload the paper in the specified orientation if necessary. Press the **Start/Stop** button to resume printing, or press the  **Cancel Job** button to cancel the print job.

Turn Paper Cassette 1/ Turn Paper Cassette 2/ Turn Paper Cassette 3/ Turn Paper Cassette 4

The direction of the paper loaded in the specified paper cassette does not match the required paper direction. Turn the paper direction.

Unable Clear Error

The printer cannot clear an error message because the error status still remains. Try solving the problem again.

Warming Up

The printer is warming up the fuser to be ready to print.

Write Error ROM A, Write Error ROM P

This message indicates an internal error in the printer. Reset the printer. If this error persists, consult your dealer.

Writing ROM A, Writing ROM P

This message indicates that a ROM module in the slot is being written. Please wait until this message disappears.

Wrong Password

No print jobs have been saved with the password you entered.

Wrong Toner Cartridge

An inappropriate imaging cartridge is installed. Install only the imaging cartridge listed in “Consumable products” on page 27.

See “Replacing Consumable Products” on page 147 for instructions on replacing the imaging cartridge.

Printing and Deleting Reserve Job Data

Print jobs stored on the printer's memory using the Re-Print Job, Verify Job, and Stored Job options of the Reserve Job function can be printed and deleted using the control panel's Quick Print Job Menu. Jobs saved using the Confidential Job option can be printed from the Confidential Job Menu. Follow the instructions in this section.

Note:

- ❑ *The RAM Disk setting on the control panel must be set to Normal or Maximum to use the Reserve Job function. We recommend installing optional memory to use this function. For instructions about increasing your printer's memory, see "Installing a memory module" on page 132.*
- ❑ *Installing CompactFlash memory on your printer also enables the Reserve Job function. Note that the RAM disk is not available when you install CompactFlash memory on the printer.*

Using the Quick Print Job Menu

Follow the steps below to print or delete Re-Print Job and Verify Job data.

1. Make sure the LCD panel displays `Ready` or `Sleep`, then press the **▶ Right** button to access the control panel menus.
2. Press the **▼ Down** button repeatedly until `Quick Print Job Menu` appears on the LCD panel, then press the **▶ Right** button.
3. Use the **▼ Down** or **▲ Up** button to scroll to the appropriate user name, then press the **▶ Right** button.
4. Use the **▼ Down** or **▲ Up** button to scroll to the appropriate job name, then press the **▶ Right** button.
5. Press the **▶ Right** button, then use the **▼ Down** and **▲ Up** buttons to select the number of copies.

To delete the print job without printing any copies, press the **▼ Down** button to display `Delete` on the LCD panel.

6. Press the **▶ Right** button to start printing or to delete the data.

Using the Confidential Job Menu

Follow the steps below to print or delete Confidential Job data.

1. Make sure the LCD panel displays `Ready` or `Sleep`, then press the **▶ Right** button to access the control panel menus.
2. Press the **▼ Down** button repeatedly until `ConfidentialJobMenu` appears on the LCD panel, then press the **▶ Right** button.
3. Use the **▼ Down** or **▲ Up** button to scroll to the appropriate user name, then press the **▶ Right** button.
4. Enter your four-digit password.

To enter the password, press the **▼ Down** or **▲ Up** button to select the character and press the **▶ Right** button to determine the character. After all characters are determined, press the **▶ Right** button.

Note:

If no print jobs have been saved with the password you entered, `Wrong Password` appears briefly on the LCD panel then the printer exits the control panel menus. Confirm the password and try again.

5. Use the **▼ Down** or **▲ Up** button to scroll to the appropriate job name, then press the **▶ Right** button.
6. Use the **▼ Down** or **▲ Up** button to display `Print`.

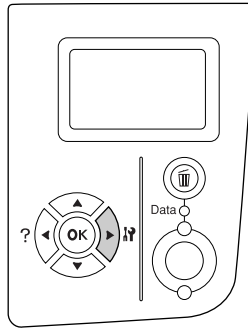
To delete the print job, press the **▼ Down** or **▲ Up** button to display `Delete` on the LCD panel.

7. Press the **▶ Right** button to start printing or to delete the data.

Printing a Configuration Status Sheet

1. Turn on the printer. The LCD panel shows `Ready` or `Sleep`.

2. Press the ► **Right** button three times. The printer prints a configuration status sheet.



3. Confirm that the information about the installed options is correct. If the options are installed correctly, they appear under Hardware Configuration. If the options are not listed, try reinstalling them.

Note:


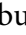
- If the configuration status sheet does not list your installed options correctly, make sure that they are securely connected to the printer.
- If you are unable to get the printer to print a correct configuration status sheet, contact your dealer.
- Print the configuration status sheet on A4 size paper (Landscape.)

Canceling Printing

You can cancel printing from your computer by using the printer driver.

To cancel a print job before it is sent from your computer, see “Canceling Printing” on page 198.

Using the Cancel Job button

The  **Cancel Job** button on your printer is the quickest and easiest way to cancel printing. Pressing this button cancels the currently printing job. Pressing the  **Cancel Job** button for more than two seconds deletes all jobs from the printer memory, including jobs the printer is currently receiving or printing.

Using the Reset menu

Selecting **Reset** from the control panel's **Reset Menu** stops printing, clears the print job being received from the active interface, and clears errors that may have occurred at the interface.

Follow the steps below to use the **Reset Menu**.

1. Press the ► **Right** button to access the control panel menus.
2. Press the ▼ **Down** button several times until **Reset Menu** appears on the LCD panel, then press the ► **Right** button.
3. Press the ▼ **Down** button several times until **Reset** to display.
4. Press the ► **Right** button. Printing is canceled. The printer is ready to receive a new print job.

Chapter 4

Installing Options

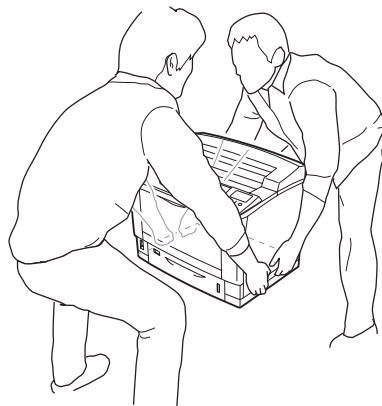
Optional Paper Cassette Unit

For details about the paper types and sizes that you can use with the optional paper cassette unit, see “Optional paper cassette unit” on page 38. For specifications, see “Optional paper cassette unit” on page 234.

Handling precautions

Always pay attention to the following handling precautions before installing the option:

The printer weighs about 25 kg (55 lb). One person should never attempt to lift or carry it alone. Two people should carry the printer, lifting it from the positions shown below.



Warning:

If you lift the printer incorrectly, you could drop it and cause injury.

Installing the optional paper cassette unit

1. Turn the printer off and unplug the power cord and interface cable.



Caution:

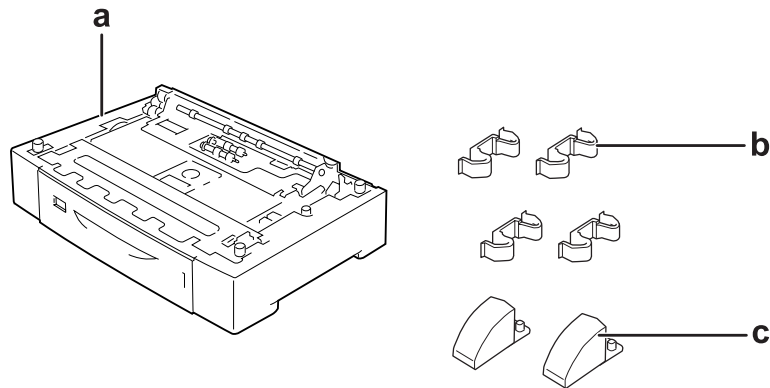
Make sure to unplug the power cord from the printer to prevent getting an electrical shock.

- Carefully take the optional paper cassette unit out from its carton and place it where you intend to set up the printer.

Note:

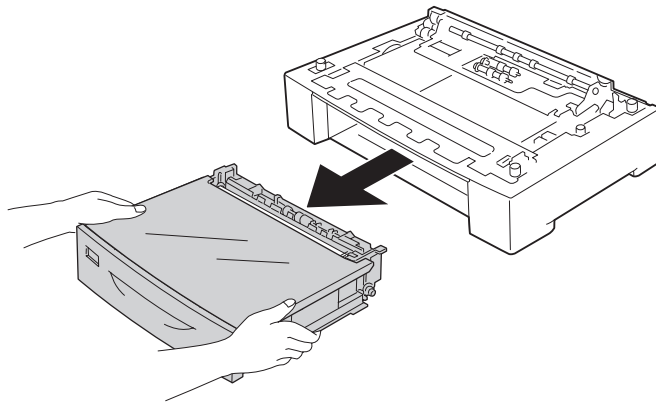
The instructions below describe installing three optional paper cassette units as an example.

- Confirm the bundled items.

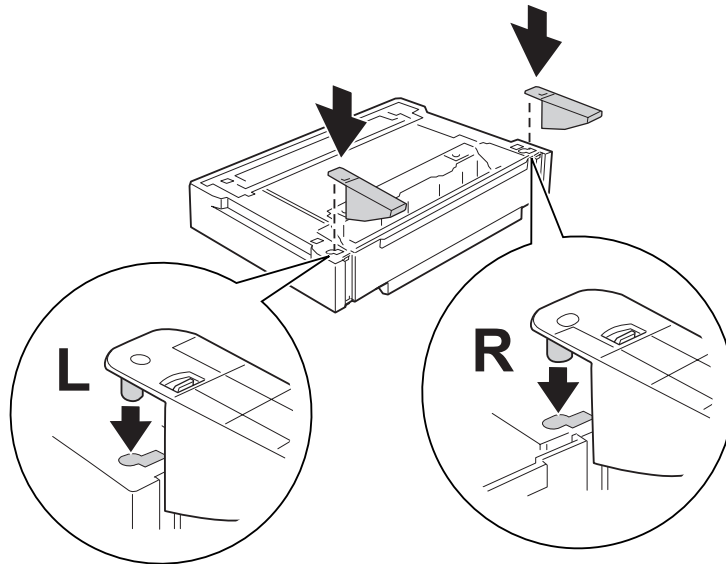


- a. optional paper cassette unit
- b. fittings
- c. stabilizers

- Pull out the optional paper cassette.

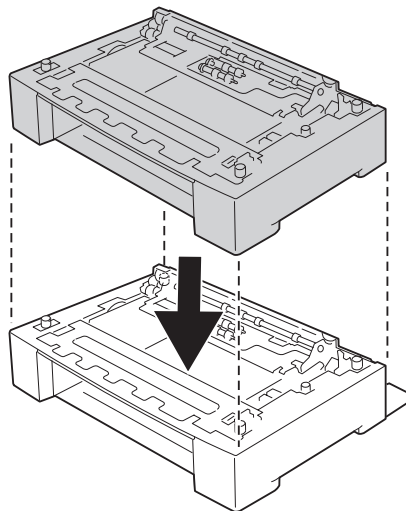


5. Turn over the optional paper cassette unit, and then install the two stabilizers.

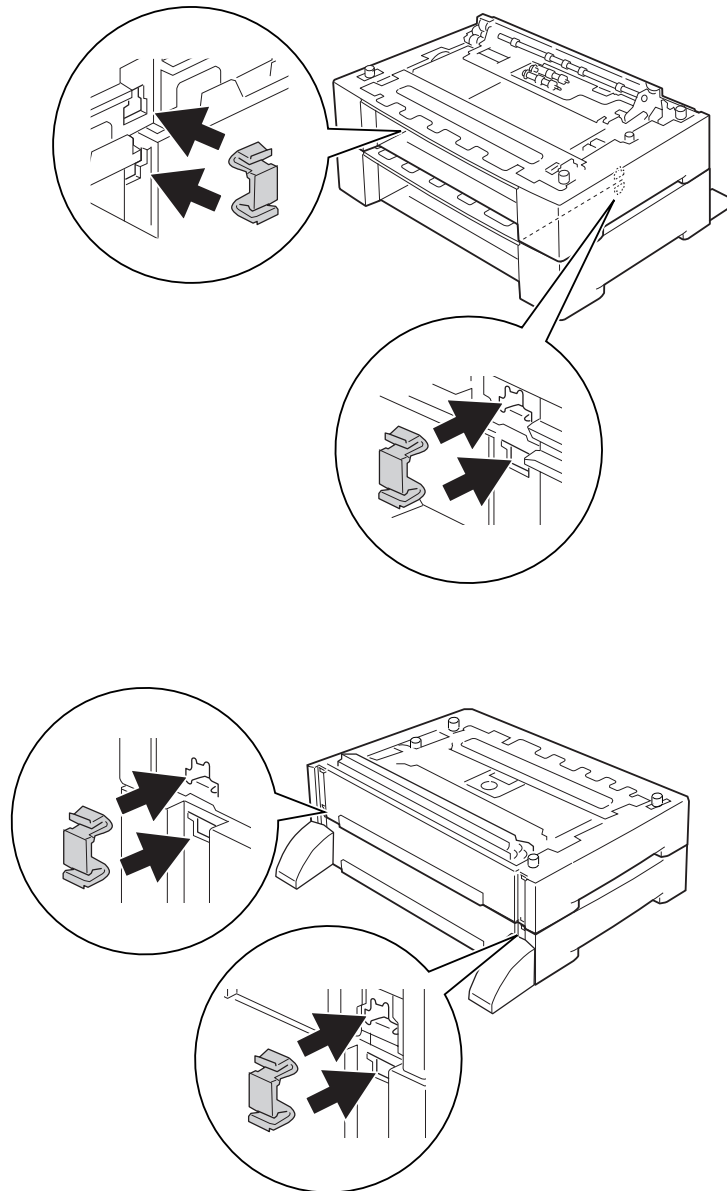
**Caution:**

- ❑ When you turn over the optional paper cassette unit, place it gently on a flat surface.
- ❑ Be sure to attach the two stabilizers to the lowest optional paper cassette unit.

6. Place the optional paper cassette units in advance.



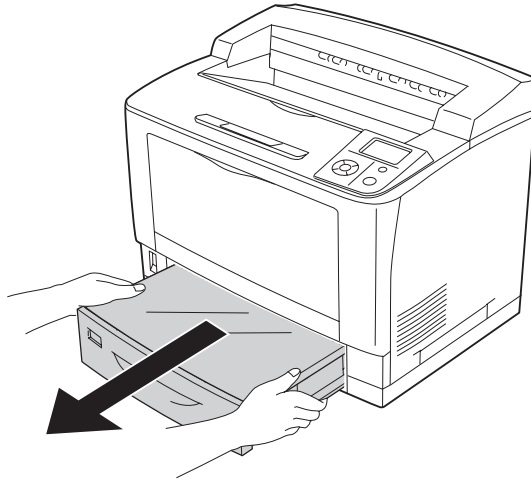
- Secure the optional paper cassette units with the four fittings. Install two of the four fittings inside on both sides of the optional paper cassette unit and the other two fittings outside on both sides.



Note:

If you install three optional paper cassette units, repeat steps 6 and 7.

8. Pull out the standard lower paper cassette.



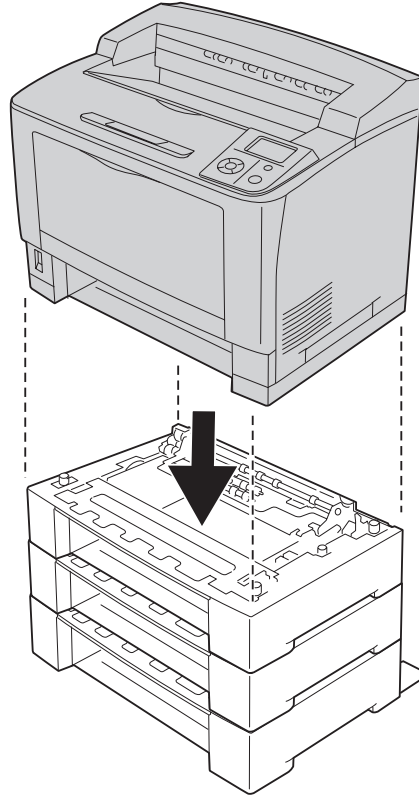
9. Be sure to lift the printer by the correct positions as shown below.



Caution:

When moving the printer, always keep it horizontal.

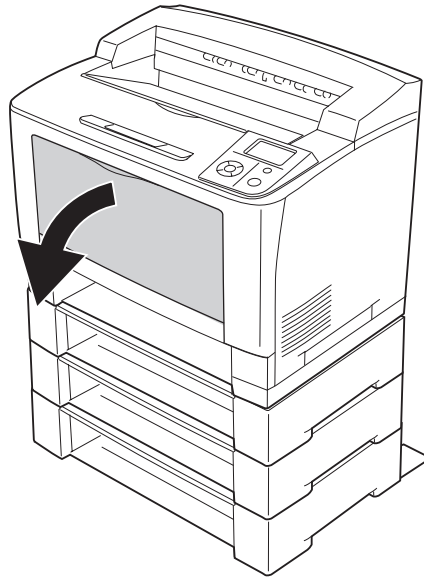
10. Place the printer onto the optional paper cassette units. Align each of the printer's corners with those of the optional paper cassette units. Then lower the printer until it rests securely on the optional paper cassette units.



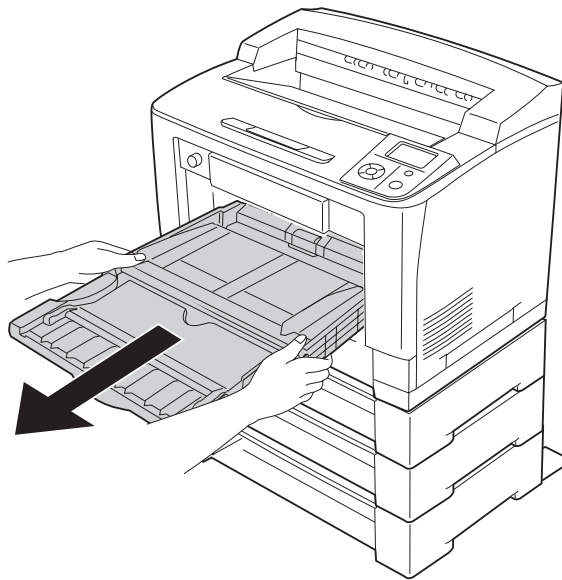
Note:

The printer should be carried by at least two people, holding the printer with their hands in the indicated positions.

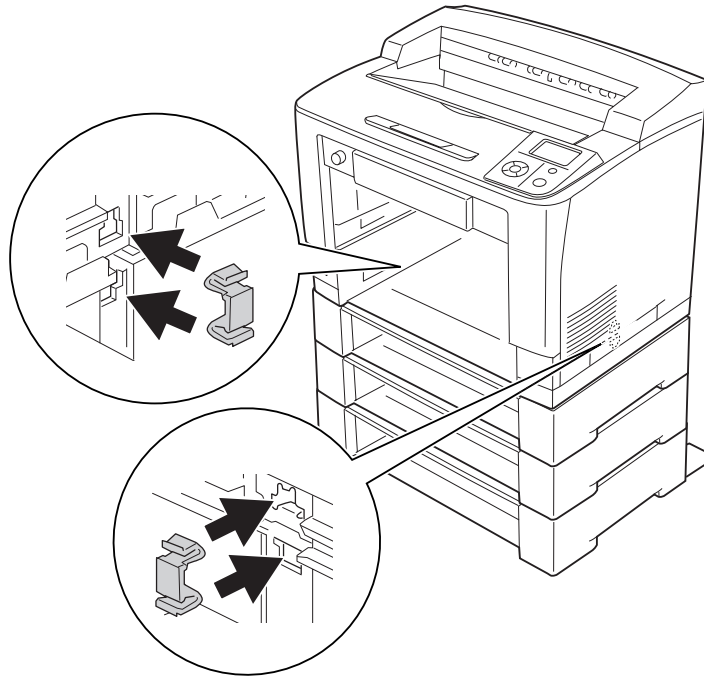
11. Open the MP tray.

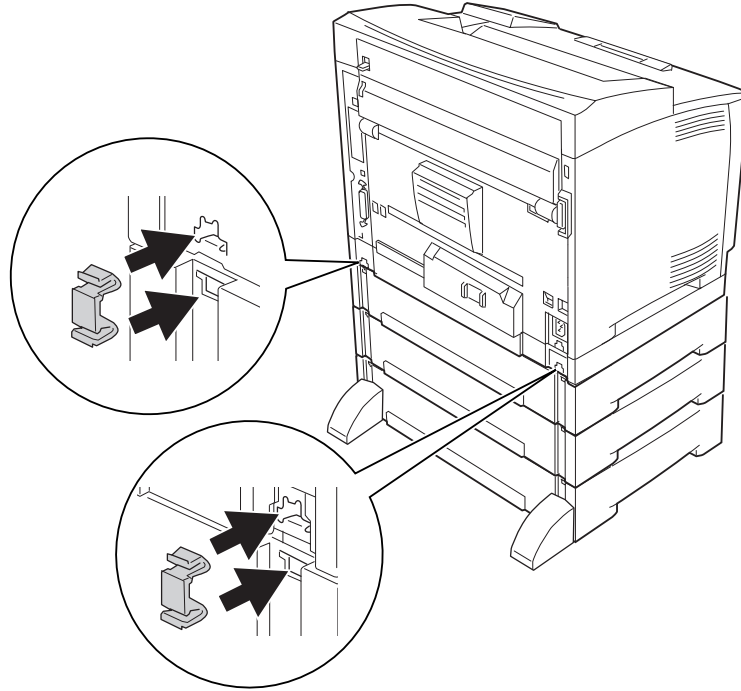


12. Pull out the MP tray from the printer.

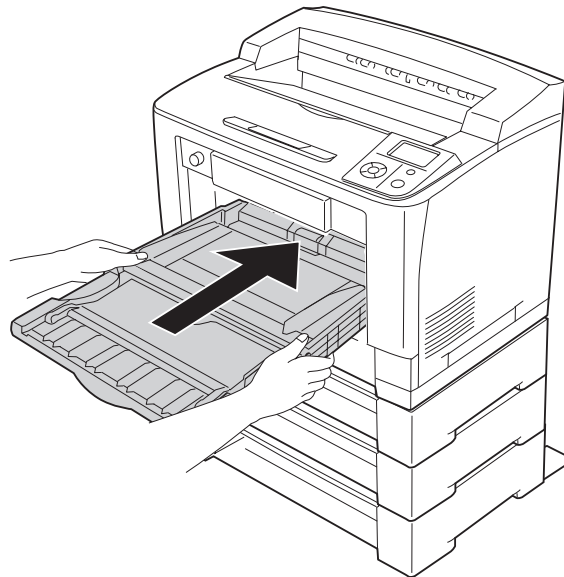


- Secure the printer to the optional paper cassette unit with the four fittings. Install two of the four fittings on both sides of the inside of the printer.

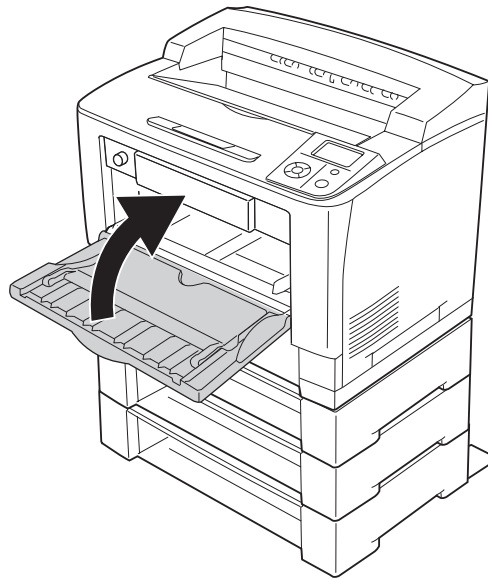




14. Insert the MP tray into the printer.



15. Close the MP tray.



16. Remove the protective materials from the optional paper cassettes.

17. Insert all paper cassettes.

18. Reconnect the interface cable and power cord, and then turn the printer on.

To confirm that the option is installed correctly, print a configuration status sheet. See “Printing a Configuration Status Sheet” on page 184.

Note for Windows users:

*If EPSON Status Monitor is not installed, you have to make settings manually in the printer driver. Click the **Update the Printer Option Info Manually** button on the Optional Settings tab, and then click **Settings**. Then select **Cassette 2**, **Cassette 3**, and **Cassette 4** from the Optional Paper Sources list on the Optional Settings dialog box based on the installed options and click **OK**.*

Removing the optional paper cassette unit

Perform the installation procedure in reverse.

Duplex Unit

For specifications or details about the paper types and sizes that you can use with the Duplex Unit, see “Duplex Unit” on page 235.

Installing the Duplex Unit

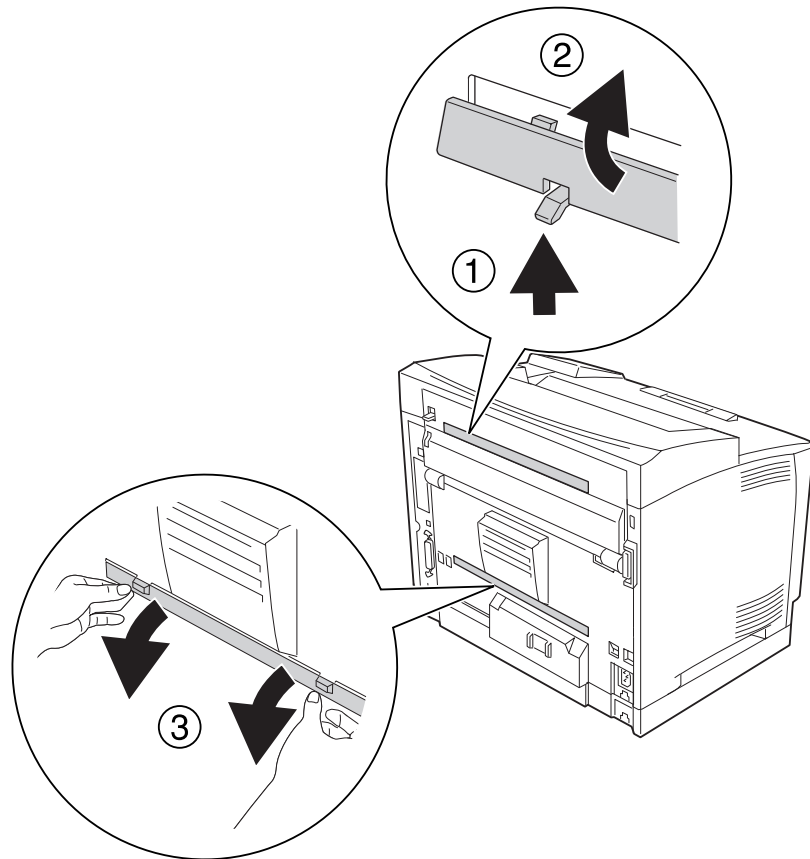
1. Turn the printer off and unplug the power cord and interface cable.



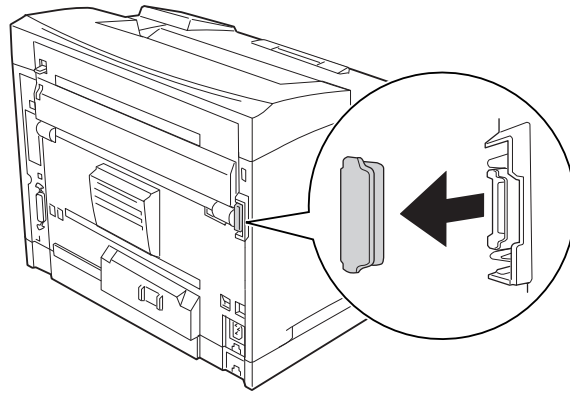
Caution:

Make sure to unplug the power cord from the printer to prevent getting an electrical shock.

2. Remove the upper and lower option covers.



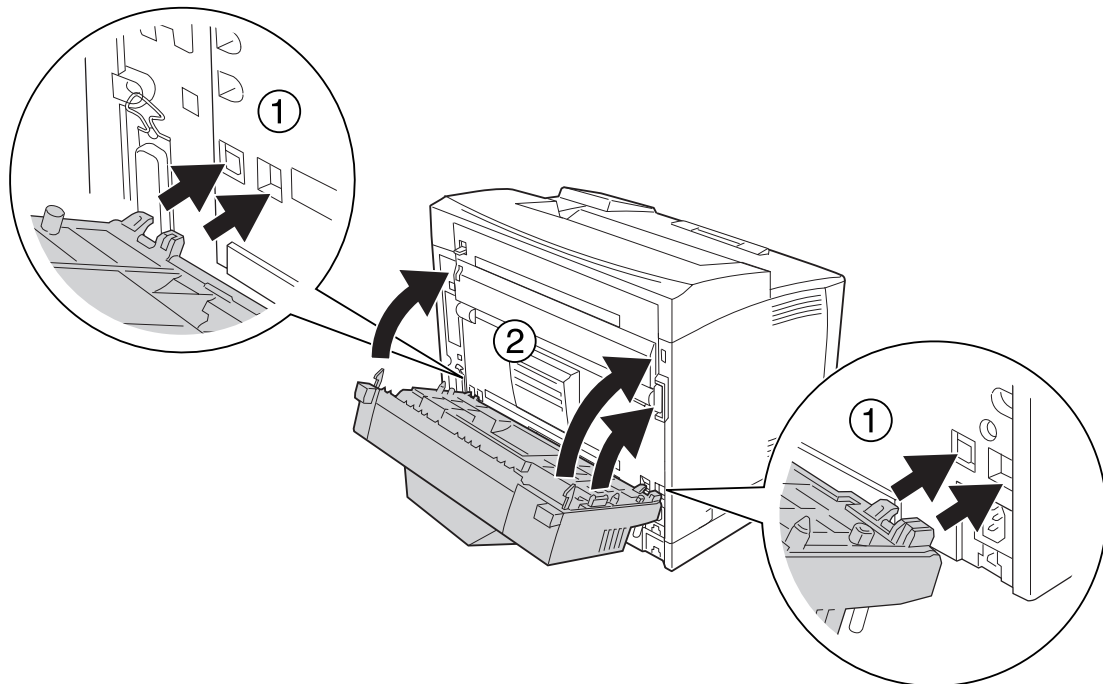
3. Remove the duplex unit connector cover.



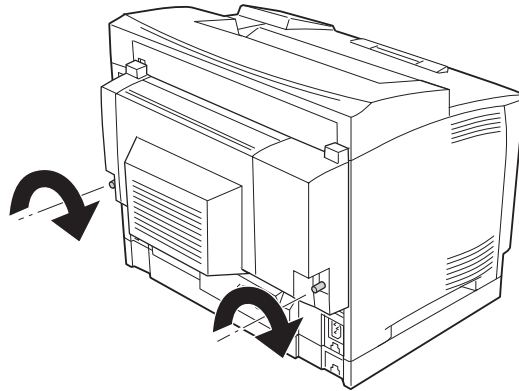
Note:

Keep the upper option cover, lower option cover, and duplex unit connector cover in a safe place to prevent from losing it.

4. Install the Duplex Unit as shown below. Make sure that the hooks on the Duplex Unit hook onto the printer's tabs and the duplex connector goes into the slot.



5. Secure the Duplex Unit with the two screws.



6. Reconnect the interface cable and power cord, then turn the printer on.

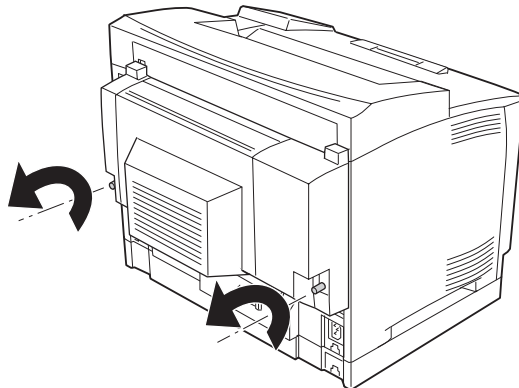
To confirm that the option is installed correctly, print a configuration status sheet. See “Printing a Configuration Status Sheet” on page 184.

Note for Windows users:

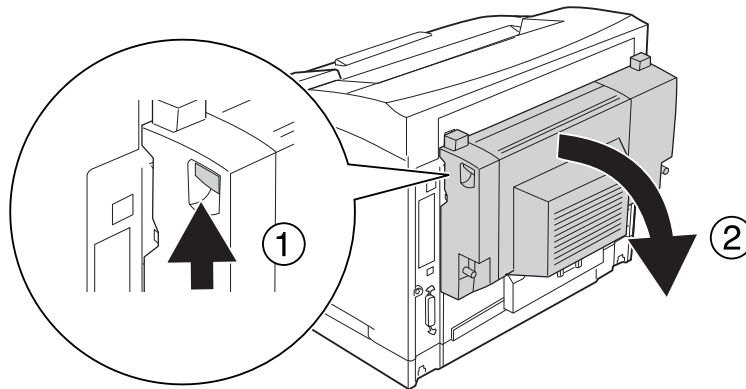
If EPSON Status Monitor is not installed, you have to make settings manually in the printer driver. See “Making Optional Settings” on page 205.

Removing the Duplex Unit

1. Turn the printer off and unplug the power cord and interface cable.
2. Loosen the two screws on the Duplex Unit.



3. Press the unlock button to unlock the hooks, then remove the Duplex Unit from the printer.



4. Attach the duplex unit connector cover that was removed when installing the Duplex Unit.
5. Attach the upper and lower option covers that were removed when installing the Duplex Unit.
6. Reconnect the interface cable and power cord, then turn the printer on.

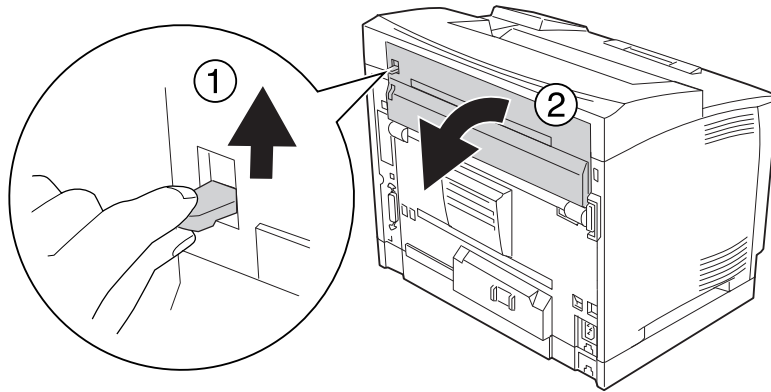
Stacker

For specifications or details about the paper types and sizes that you can use with the Stacker, see “A4 Stacker” on page 236.

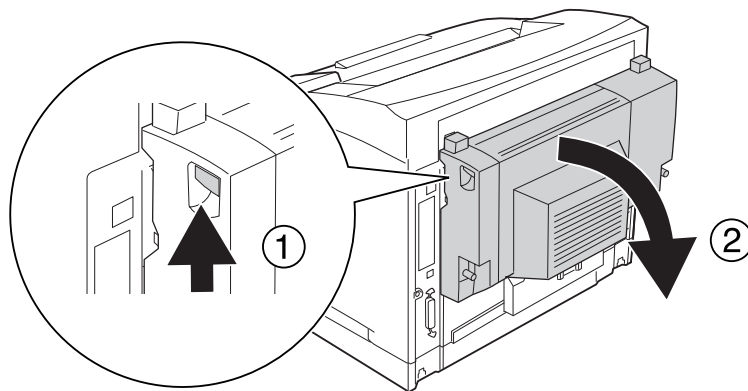
Installing the Stacker

1. Turn off the printer and unplug the power cord and interface cable.

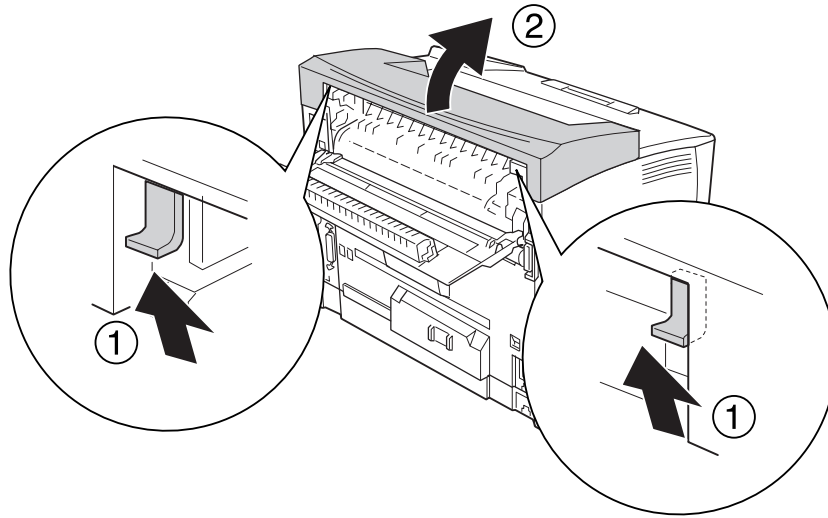
2. Open cover B.



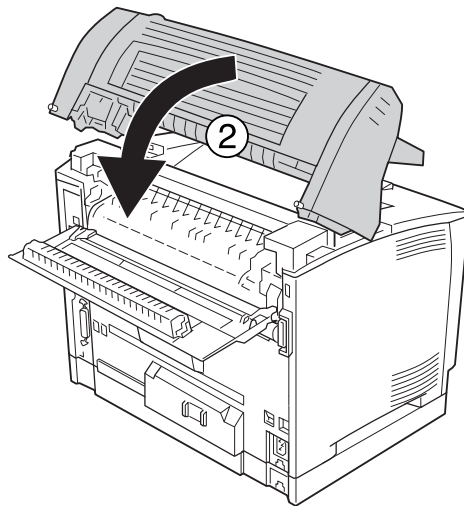
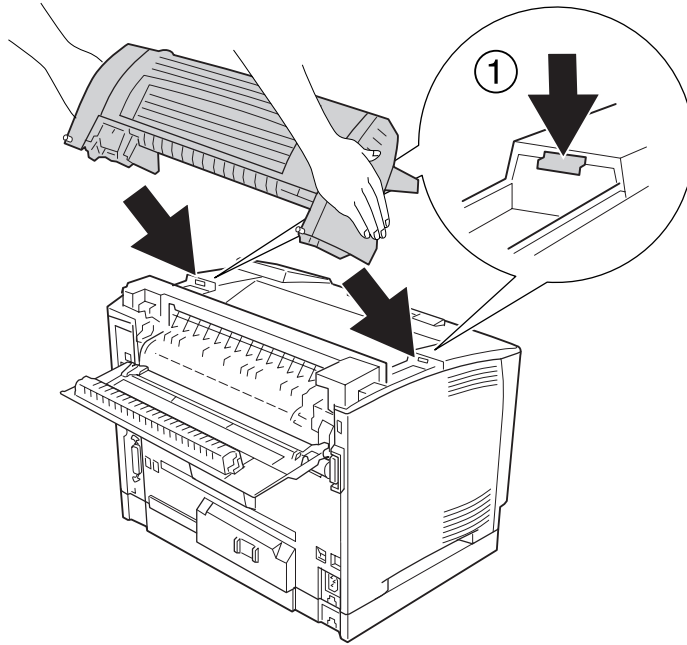
Note:
 If the Duplex Unit is installed, open the Duplex Unit's cover before opening cover B.



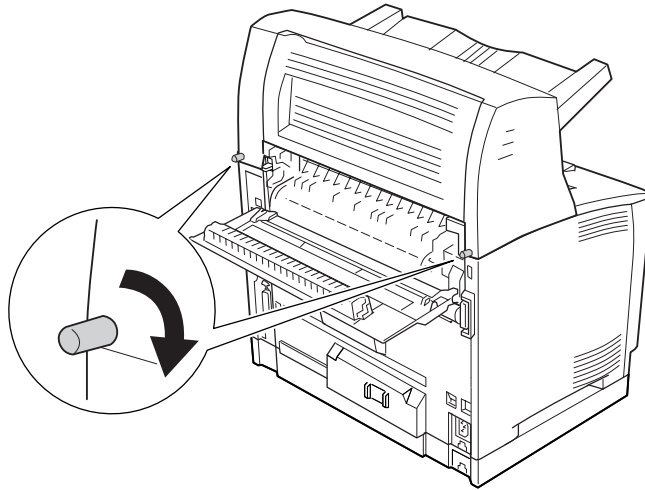
3. Push up the tabs to remove the top cover.



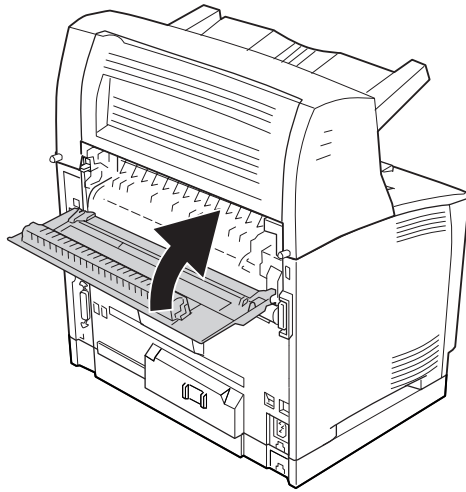
4. Insert the right and left tabs of the Stacker into the holes on the top of the printer and slowly lower it onto the top of the printer.



5. Secure the Stacker with the two screws.

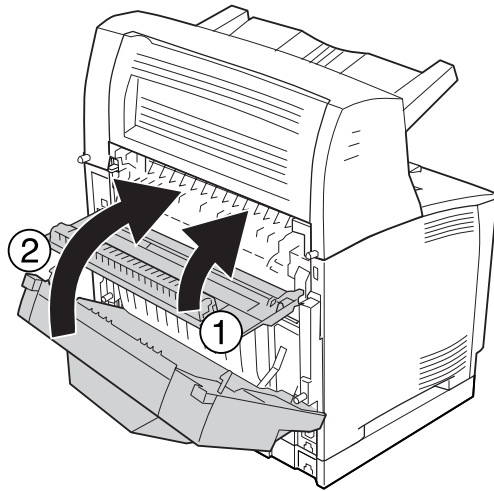


6. Close cover B.



Note:

When the optional Duplex Unit is installed, close the Duplex Unit's cover after closing cover B.



7. Reconnect the interface cable and power cord, and then turn on the printer.

To confirm that the option is installed correctly, print a configuration status sheet. See "Printing a Configuration Status Sheet" on page 184.

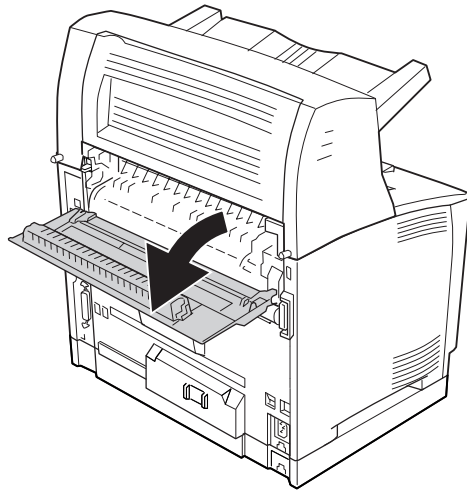
Note for Windows users:

If EPSON Status Monitor is not installed, you have to make settings manually in the printer driver. See “Making Optional Settings” on page 205.

Removing the Stacker

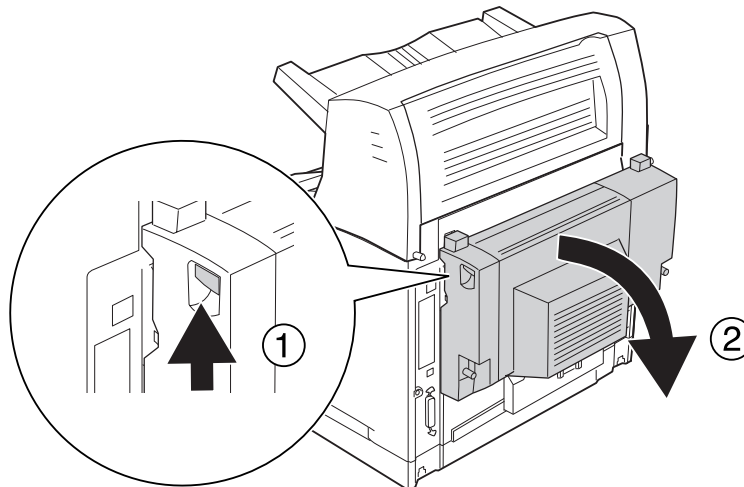
1. Turn off the printer and unplug the power cord and interface cable.

2. Open cover B.

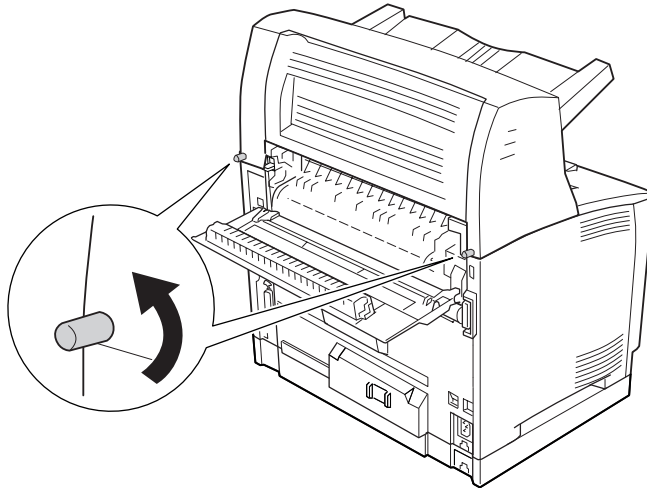


Note:

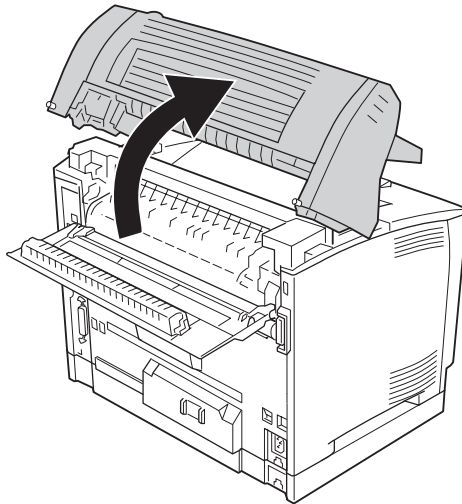
If the Duplex Unit is installed, open the Duplex Unit's cover before opening cover B.



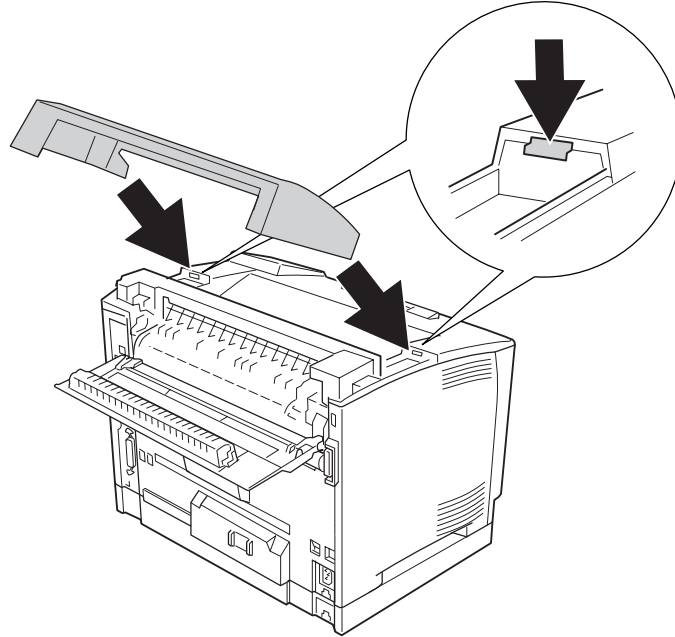
3. Loosen the screws on both sides of the Stacker.



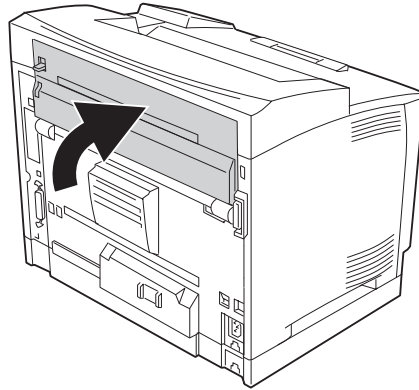
4. Hold up the Stacker and remove the right and left tabs from the holes of the top of the printer.



5. Insert the right and left tabs of the top cover into the holes on the top of the printer.

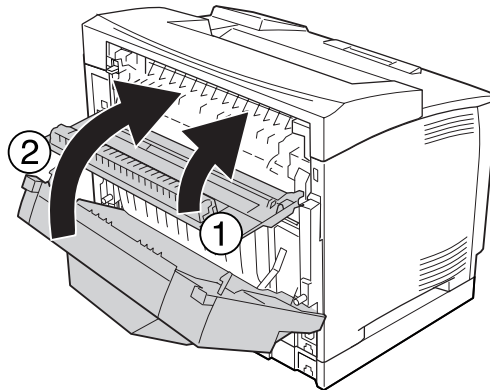


6. Close cover B.



Note:

When the optional Duplex Unit is installed, close the Duplex Unit's cover after closing cover B.



7. Reconnect the interface cable and power cord, and then turn on the printer.

Memory Module

By installing Dual In-line Memory Module (DIMM), you can increase printer memory up to 576 MB. You may want to add additional memory if you are having difficulty printing complex graphics.

Installing a memory module

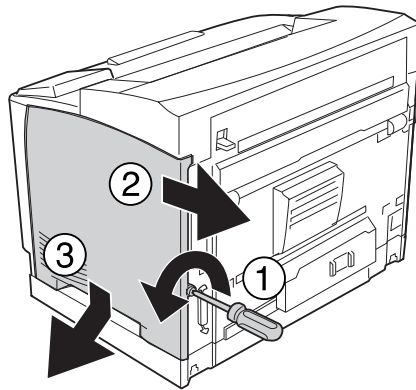
**Warning:**

Be careful when working inside the printer as some components are sharp and may cause injury.

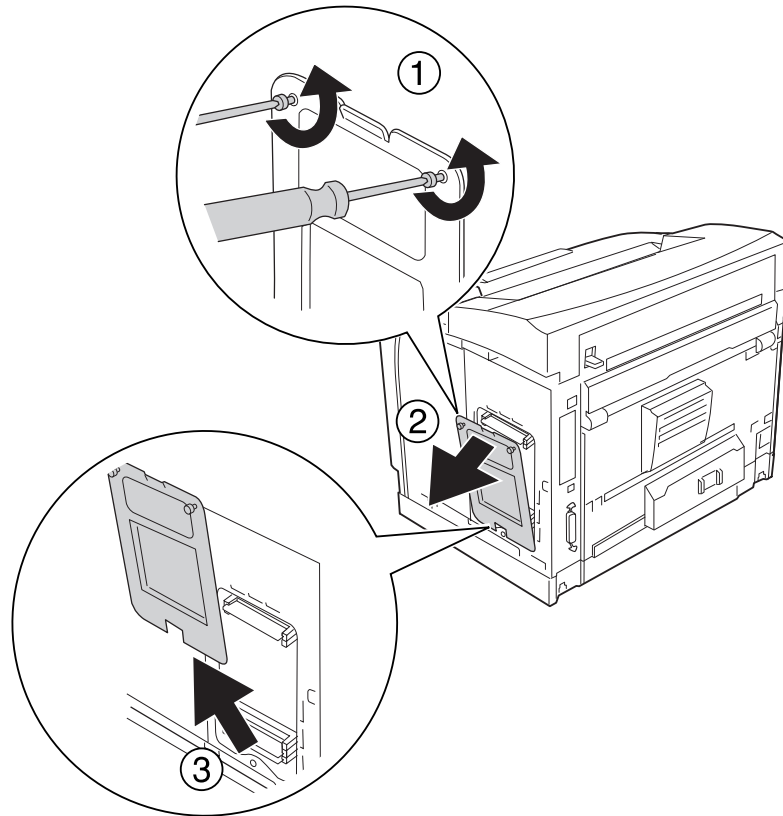
**Caution:**

Before you install a memory module, be sure to discharge any static electricity by touching a grounded piece of metal. Otherwise, you may damage static-sensitive components.

1. Turn the printer off and unplug the power cord and interface cable.
2. Remove the right side cover by removing the screw on the back of the printer and sliding the cover backward.



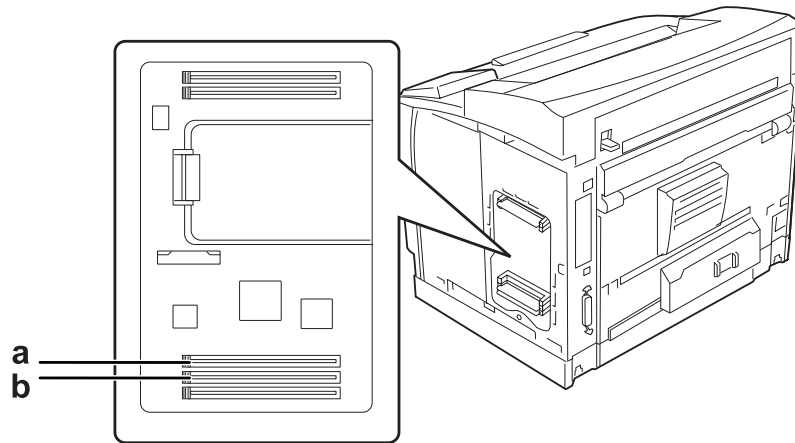
3. Loosen the two screws using a screwdriver. Then hold the tab on the top of the shield cover and remove the cover.



Warning:

Removing other screws and covers will expose high voltage areas.

4. Identify the RAM slot.

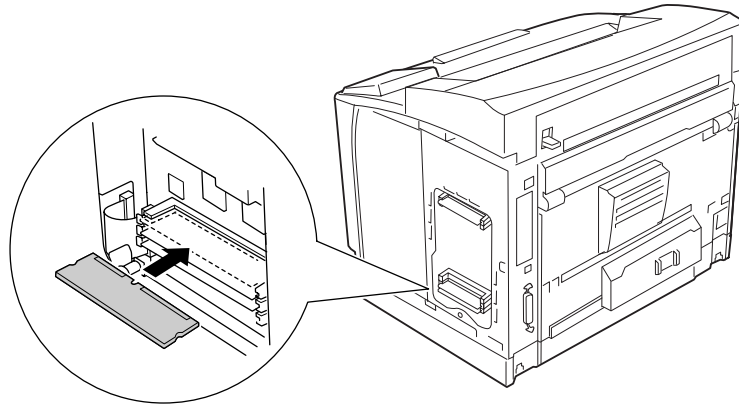


- a. RAM slot S2
- b. RAM slot S1

Note:

You can add an optional RAM DIMM in the RAM slot S2 or replace the standard 64 MB RAM DIMM in the RAM slot S1 with a larger capacity DIMM.

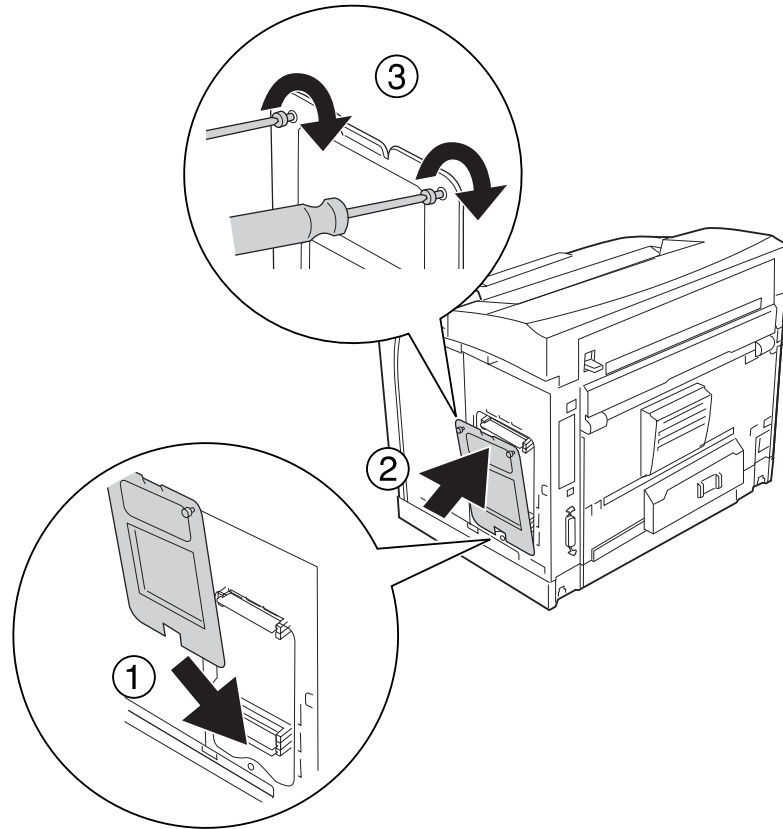
5. Insert the memory module into the slot until the clips lock onto the memory module.



Caution:

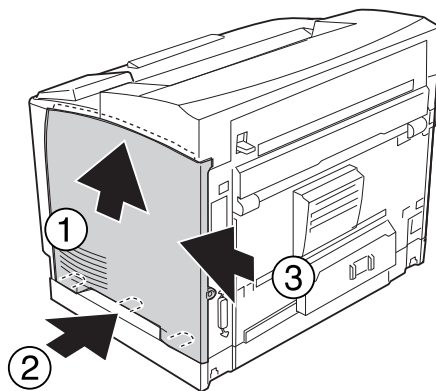
- Do not force the memory module into the slot.
- Be sure to insert the memory module facing the correct way.
- You should not remove any modules from the circuit board. Otherwise, the printer will not work.

6. Reattach the shield cover with two screws.

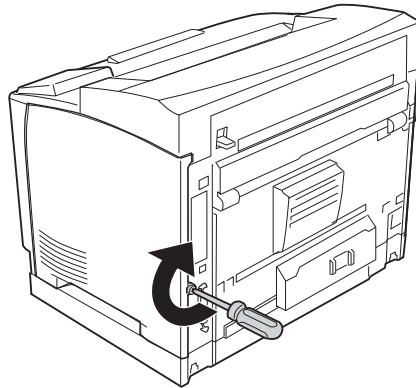


Note:
 Keep the shield cover vertical as you hook the bottom onto the convex portion.

7. Reattach the right side cover to the printer as shown below.



8. Tighten the screw on the back of the printer.

**Warning:**

Tighten the screw firmly to prevent the printer's right side cover from the falling off when moving the printer.

9. Reconnect the interface cable and power cord and turn the printer on.

To confirm that the option is installed correctly, print a configuration status sheet. See "Printing a Configuration Status Sheet" on page 184.

Note for Windows users:

If EPSON Status Monitor is not installed, you have to make settings manually in the printer driver. See "Making Optional Settings" on page 205.

Removing a memory module

**Warning:**

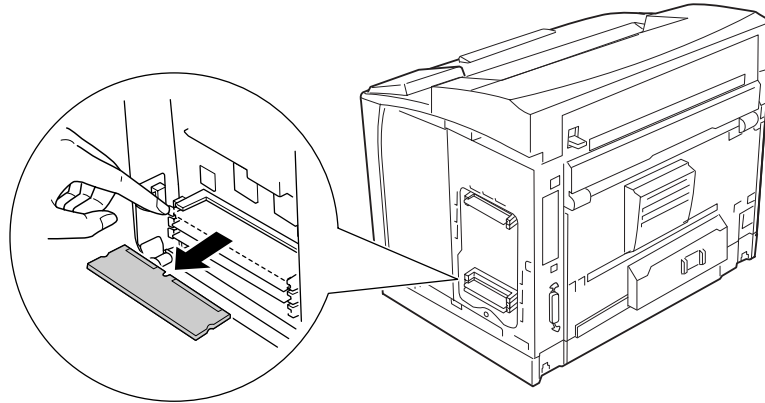
Be careful when working inside the printer as some components are sharp and may cause injury.

**Caution:**

Before you remove a memory module, be sure to discharge any static electricity by touching a grounded piece of metal. Otherwise, you may damage static-sensitive components.

Perform the installation procedure in reverse.

When removing a memory module from its slot, press the clip and pull out the memory module.



Interface Card

Your printer comes with an empty type-B interface slot. Various optional interface cards are available to expand your printer's interface options.

Installing an interface card

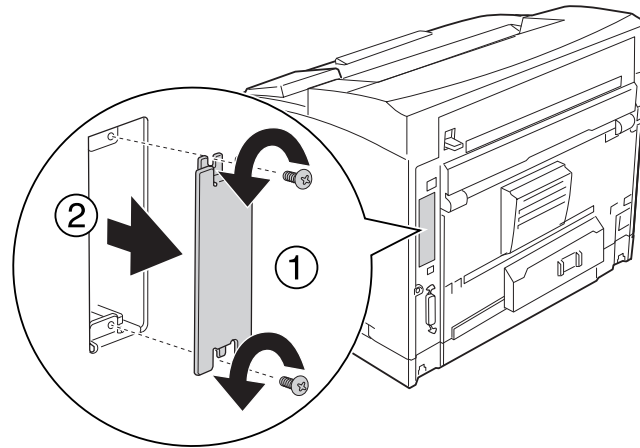


Caution:

Before you install the interface card, be sure to discharge any static electricity by touching a grounded piece of metal. Otherwise, you may damage static-sensitive components.

1. Turn the printer off and unplug the power cord and interface cable.

2. Remove the screws and the Type-B interface card slot cover as shown below.

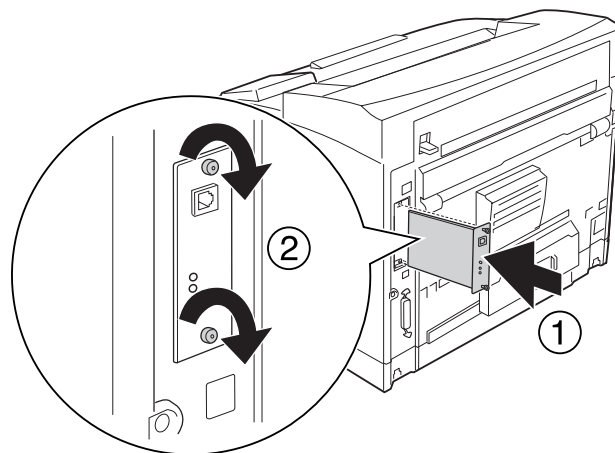
**Warning:**

Removing screws and covers that are not described in the following instructions will expose high voltage areas.

Note:

Keep the slot cover in a safe place. You will need to reattach it if you remove the interface card later.

3. Slide and push the interface card into the slot firmly, then fasten the screw as shown below.



4. Reconnect the interface cable and power cord and turn the printer on.

To confirm that the option is installed correctly, print a configuration status sheet. See “Printing a Configuration Status Sheet” on page 184.

Note for Windows users:

If EPSON Status Monitor is not installed, you have to make settings manually in the printer driver. See “Making Optional Settings” on page 205.

Removing an interface card



Caution:

Before you remove an interface card, be sure to discharge any static electricity by touching a grounded piece of metal. Otherwise, you may damage static-sensitive components.

Perform the installation procedure in reverse.

CompactFlash Memory

Installing a CompactFlash memory

An optional CompactFlash memory enables you to store overlay forms, use Reserve Job function, and improve the collate printing environment.



Warning:

Be careful when working inside the printer as some components are sharp and may cause injury.

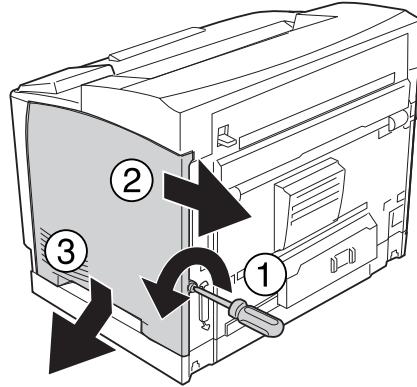


Caution:

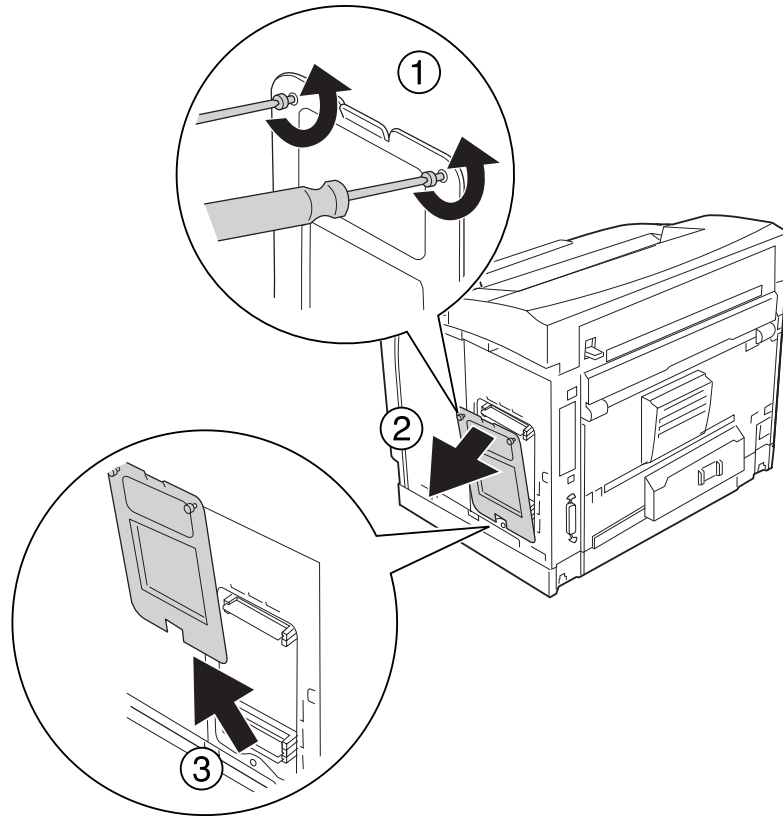
Before you install a CompactFlash memory, be sure to discharge any static electricity by touching a grounded piece of metal. Otherwise, you may damage static-sensitive components.

1. Turn the printer off and unplug the power cord and interface cable.

2. Remove the right side cover by removing the screw on the back of the printer and sliding the cover backward.



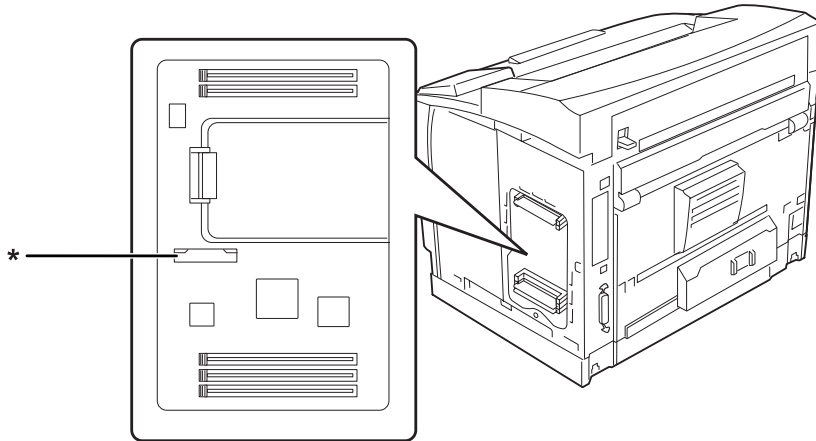
3. Loosen the two screws using a screwdriver. Then hold the tab on the top of the shield cover and remove the cover.



Warning:

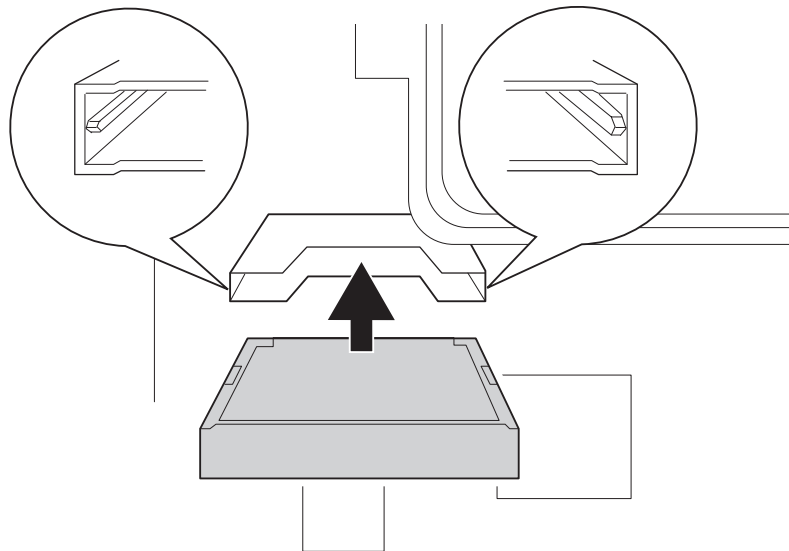
Removing other screws and covers will expose high voltage areas.

4. Identify the installation slot for a CompactFlash memory.



* CompactFlash memory slot

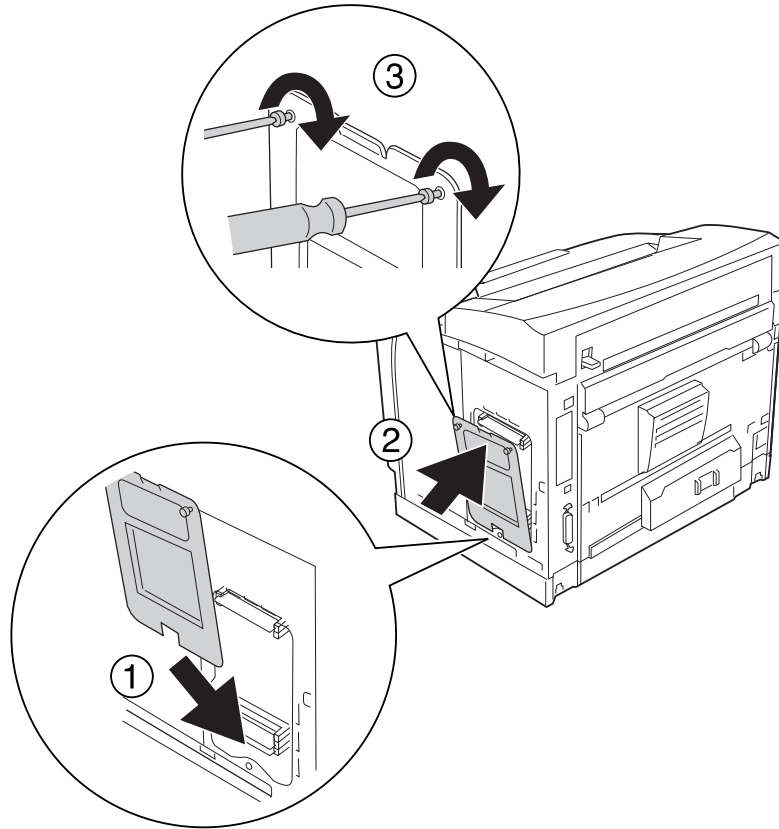
5. Insert a CompactFlash memory into the slot.



Note:

Make sure that the back side of the CompactFlash memory is facing up and the grooves on both sides of the CompactFlash memory are aligned with the slot.

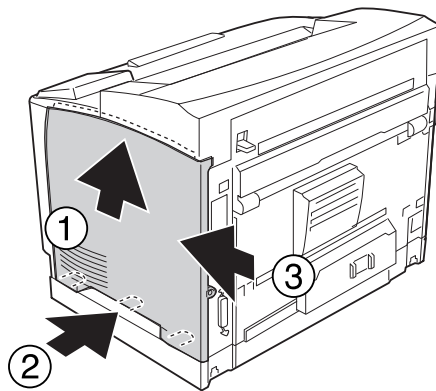
6. Reattach the shield cover with two screws.



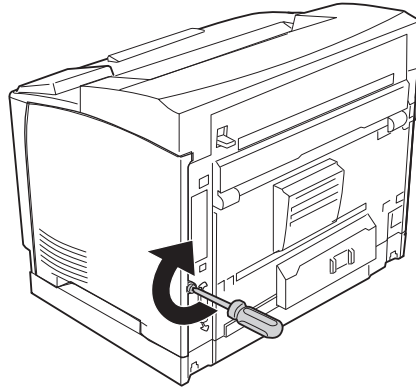
Note:

Keep the shield cover vertical as you hook the bottom onto the convex portion.

7. Reattach the right side cover to the printer as shown below.



8. Tighten the screw on the back of the printer.

**Warning:**

Tighten the screw firmly to prevent the printer's right side cover from the falling off when moving the printer.

9. Reconnect the interface cable and power cord and turn the printer on.

To confirm that the option is installed correctly, print a Status Sheet. See "Printing a Configuration Status Sheet" on page 184.

Note for Windows users:

If EPSON Status Monitor is not installed, you have to make settings manually in the printer driver. See "Making Optional Settings" on page 205.

Removing a CompactFlash memory

**Warning:**

Be careful when working inside the printer as some components are sharp and may cause injury.

**Caution:**

Before you remove a CompactFlash memory, be sure to discharge any static electricity by touching a grounded piece of metal. Otherwise, you may damage static-sensitive components.

Perform the installation procedure in reverse.

Note:

- ❑ *Completely erase all data using specialized software or carry out Delete All CompactFlash Data on Support Menu before you give away or discard CompactFlash memory. See “Support Menu” on page 90 for details.*
- ❑ *Deleting files or formatting the CompactFlash memory from the computer may not erase the data completely. Physically destroying the CompactFlash memory is also recommended when you discard CompactFlash memory.*

Chapter 5

Replacing Consumable Products

Precautions During Replacement

Always observe the following handling precautions when replacing consumable products.

For details about the replacement, see the instructions on the package.



Warning:

- Be careful not to touch the fuser, which is marked **CAUTION HIGH TEMPERATURE**, or the surrounding areas. If the printer has been in use, the fuser and surrounding areas may be very hot.
- Do not dispose of used consumable products in fire, as they may explode and cause injury. Dispose of them according to local regulations.
- Provide enough space for the replacement procedure. You will have to open some parts (such as the printer cover) of the printer when you are replacing consumables.
- Do not install used consumable products into the printer.

Replacement Messages

If a consumable product reaches the end of its service life, the printer displays the following messages on the LCD panel or the window of EPSON Status Monitor. When this happens, replace the depleted consumable products.

LCD Panel Message	Description
Replace Toner Cartridge	The imaging cartridge has reached the end of its service life.

Note:

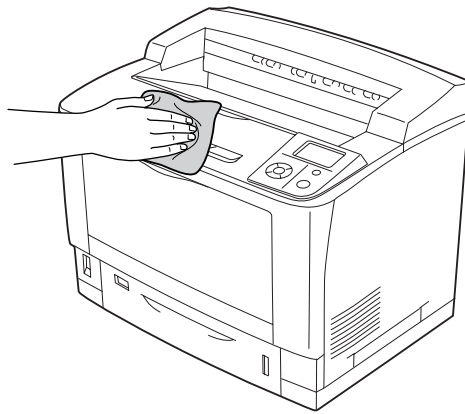
Messages appear for one consumable product at a time. After replacing a consumable product, check the LCD panel for replacement messages for other consumable products.

Chapter 6

Cleaning and Transporting the Printer

Cleaning the Printer

The printer needs only minimal cleaning. If the printer's outer case is dirty or dusty, turn off the printer and clean it with a soft, clean cloth moistened with a mild detergent.



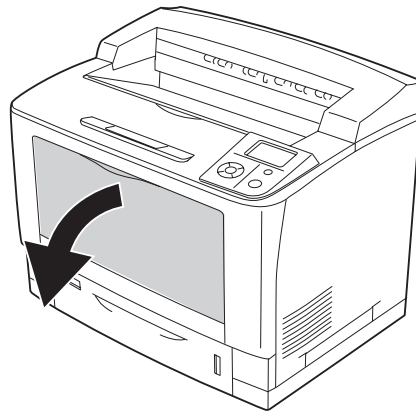
Caution:

Never use alcohol or paint thinner to clean the printer cover. These chemicals can damage the components and the case. Be careful not to get water onto the printer mechanism or any electrical components.

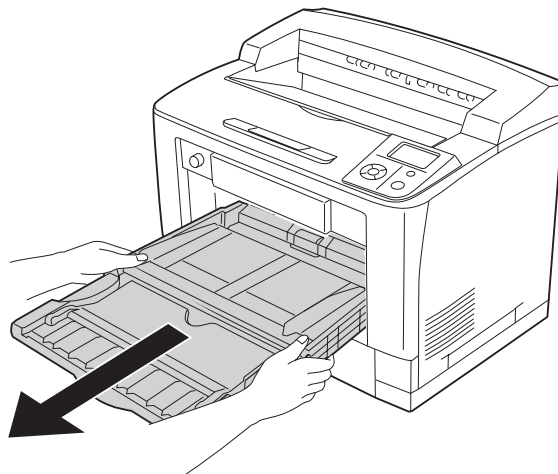
Cleaning the pickup roller

MP tray

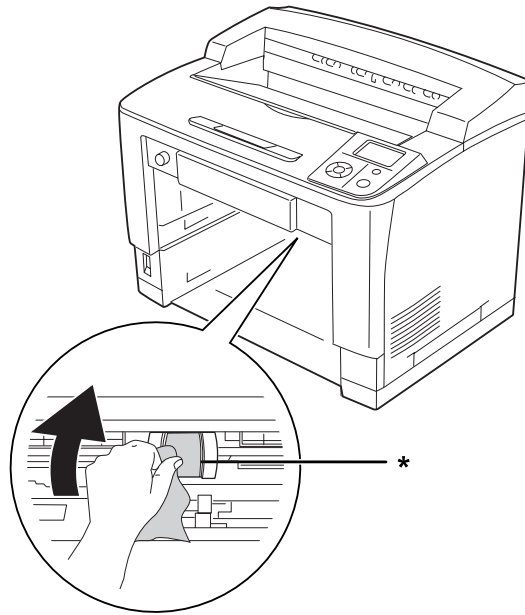
1. Open the MP tray.



2. Pull out the MP tray from the printer.

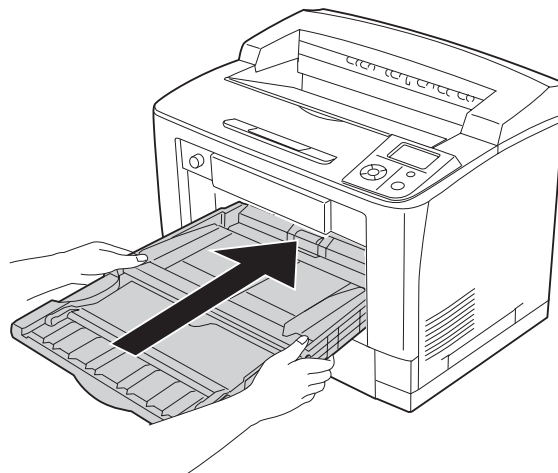


3. Gently wipe the rubber parts of the pickup rollers with a well-wrung wet cloth.

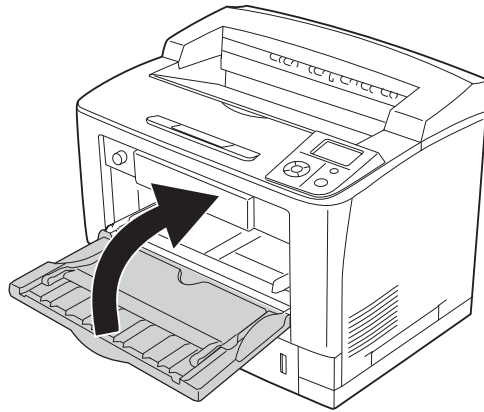


* pickup roller

4. Insert the MP tray into the printer.

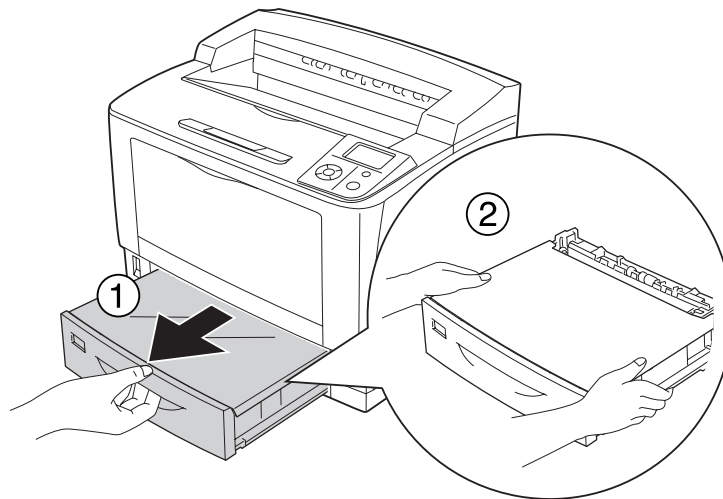


5. Close the MP tray.

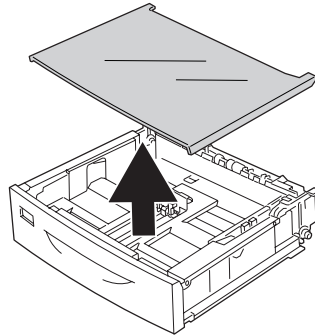


Standard lower paper cassette

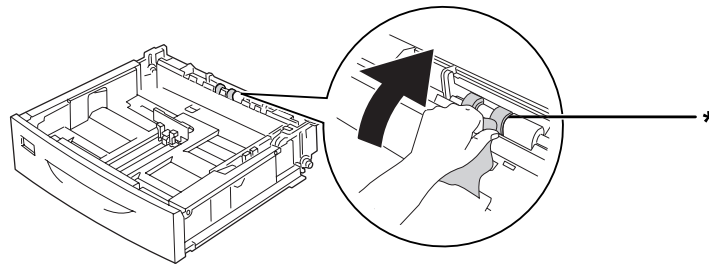
1. Pull out the standard lower paper cassette.



2. Remove the tray cover.

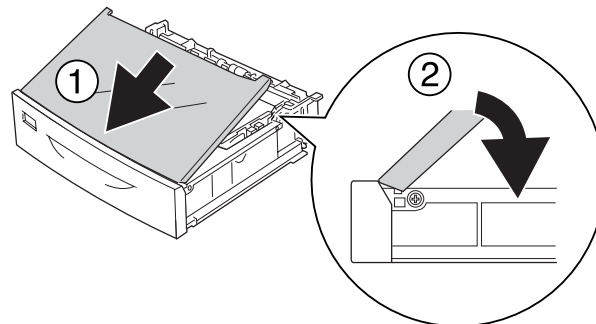


3. Gently wipe the rubber parts of the pickup rollers with a well-wrung wet cloth.

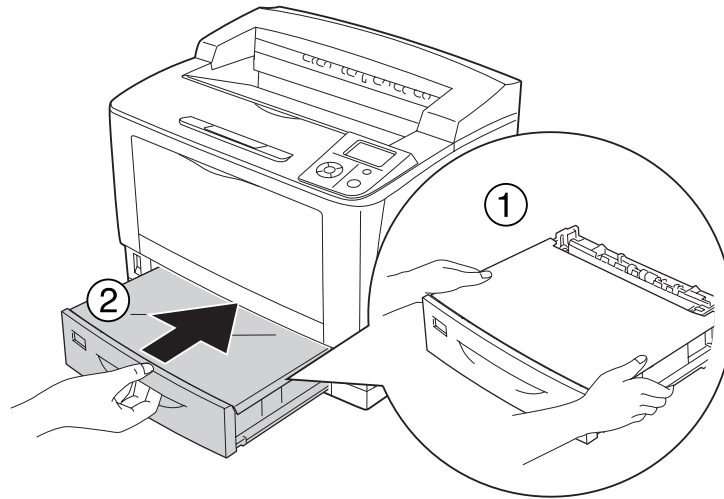


* pickup roller

4. Replace the tray cover.



5. Insert the standard lower paper cassette.



Optional paper cassette unit

The cleaning procedure is the same as the standard lower paper cassette.

Transporting the Printer

For long distances

Before you move the printer, prepare the location where you are going to place it. See the following sections.

- “Setting up the printer” on page 13
- “Finding the place for the printer” on page 17

Repacking the printer

If you need to transport your printer for long distances, carefully repack it using the original box and packing materials.

1. Turn off the printer and remove the following items:
 - Power cord
 - Interface cables
 - Loaded paper
 - Installed options
 - Imaging cartridge
2. Attach the protective materials onto the printer, then repack the printer in its original box.

**Caution:**

When moving the printer, always keep it horizontal.

For short distances

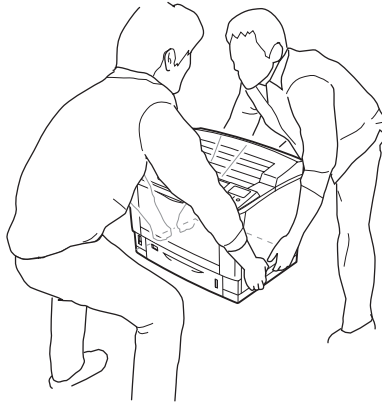
Before you move the printer, prepare the location where you are going to place it. See the following sections.

- “Setting up the printer” on page 13
- “Finding the place for the printer” on page 17

If you are moving the printer on its own, two people should lift and carry the printer.

1. Turn off the printer and remove the following items:
 - Power cord
 - Interface cables
 - Loaded paper
 - Installed options

2. Be sure to lift the printer by the correct positions as shown below.

**Caution:**

When moving the printer, always keep it horizontal.

Chapter 7

Troubleshooting

Clearing Jammed Paper

If paper becomes jammed in the printer, the printer's LCD panel and EPSON Status Monitor provide alert messages.

Precautions for clearing jammed paper

Be sure to observe the following points when you clear jammed paper.

- Do not remove jammed paper by force. Torn paper can be difficult to remove and might cause other paper jams. Pull the paper gently and steadily to avoid tearing it, falling down, and injuring yourself.
- Always try to remove jammed paper with both hands to avoid tearing it.
- If jammed paper is torn and remains in the printer, or if paper is jammed in a place not mentioned in this section, contact your dealer.
- Make sure that the paper type that is loaded is the same as the Paper Type setting in the printer driver.

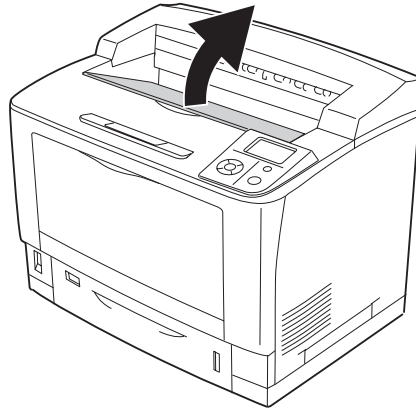


Warning:

- Unless specifically instructed in this guide, be careful not to touch the fuser, which is marked **CAUTION HIGH TEMPERATURE**, or the surrounding areas. If the printer has been in use, the fuser and the surrounding areas may be very hot. If you must touch one of these areas, wait 40 minutes to allow the heat to subside before doing so.*
- Do not insert your hand deep into the fuser unit as some components are sharp and may cause injury.*

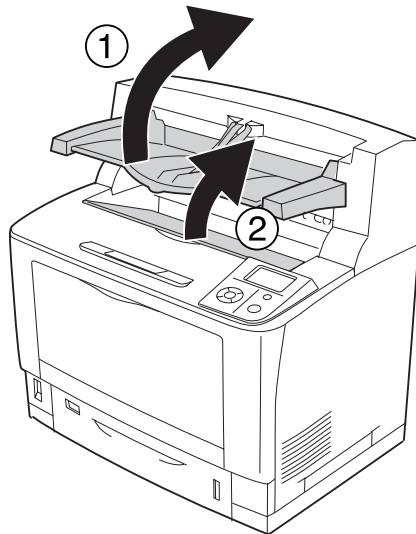
Paper Jam A (Cover A)

1. Open cover A.

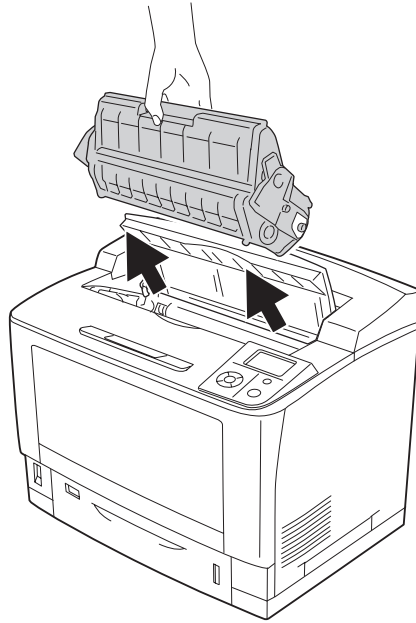


Note:

When the optional Stacker is installed, raise the stacker first, then open cover A.



2. Hold the handle of the imaging cartridge and pull it out.

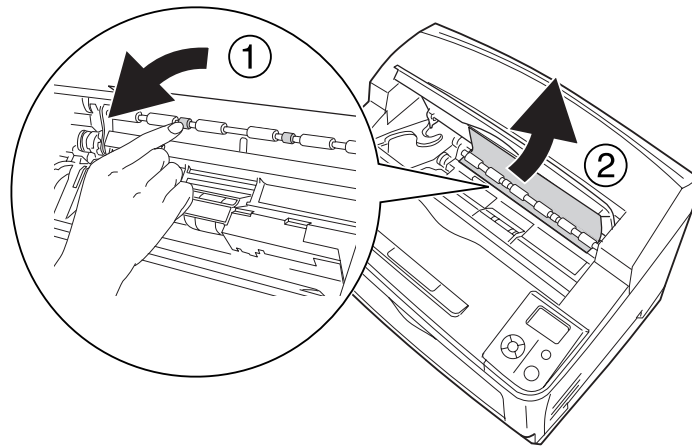


Note:
Place the cartridge on a clean, flat surface.

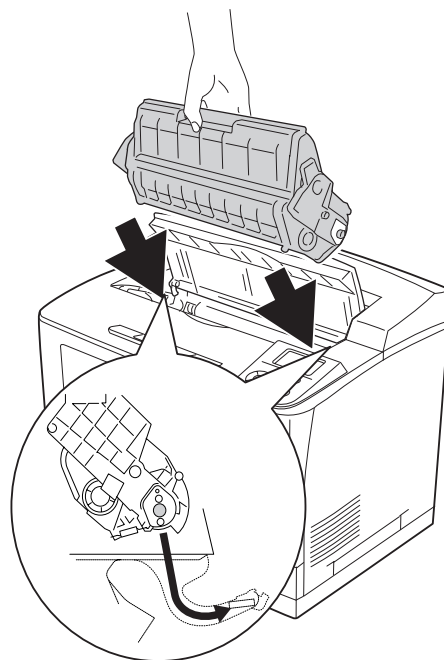
3. If there is any jammed paper, remove it gently with both hands. Be careful not to tear the jammed paper.

Note:

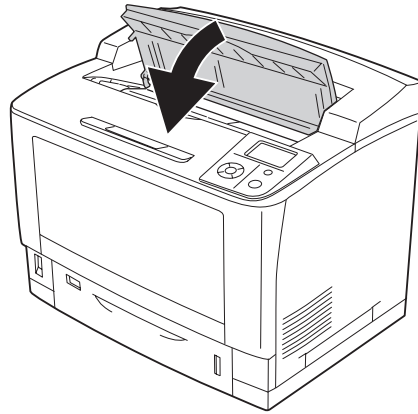
When jammed paper cannot be removed easily, turn the roller to take tension off the paper, then pull it straight out.



4. Reinstall the imaging cartridge.

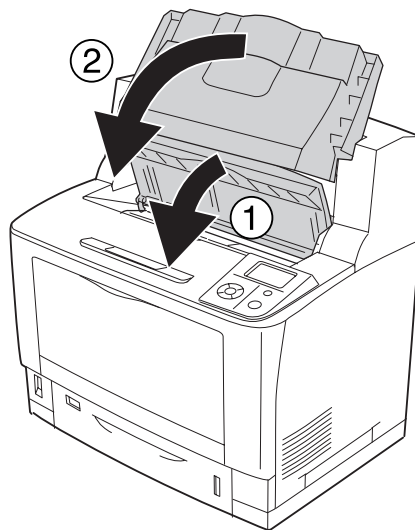


5. Close cover A.



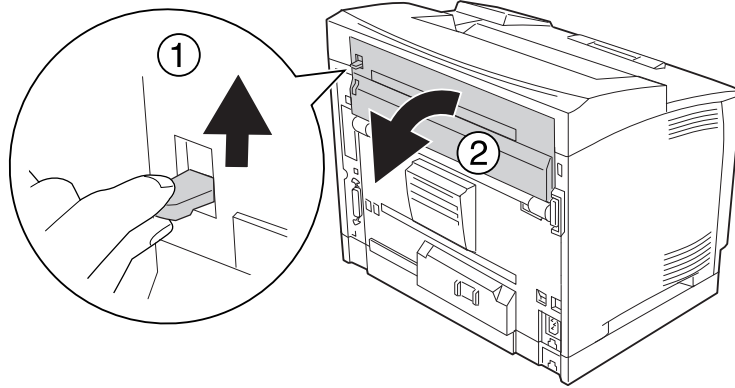
Note:

When the optional Stacker is installed, close cover A first, then lower the stacker.



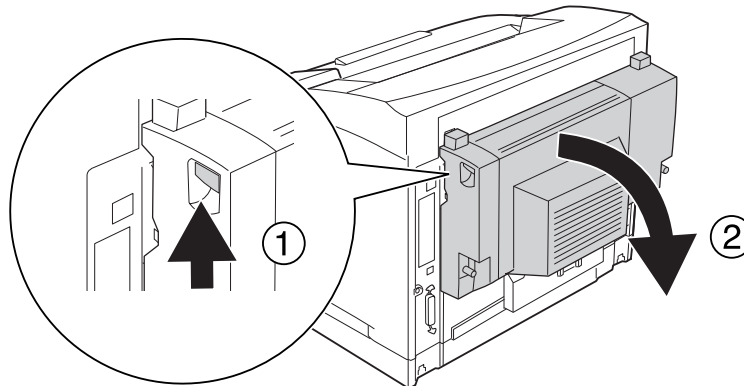
Paper Jam B A (Cover B or A)

1. Open cover B.

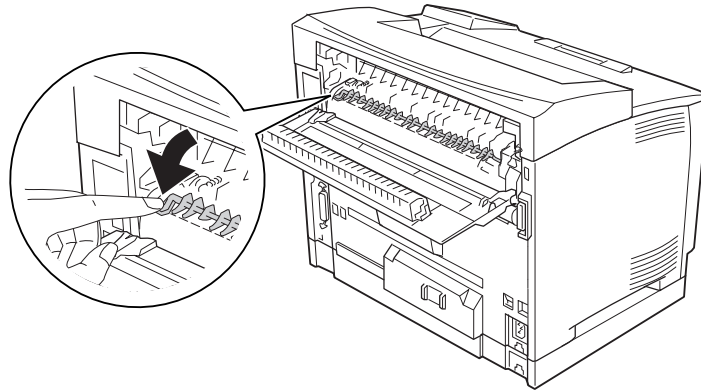


Note:

When the optional Duplex Unit is installed, open the Duplex Unit's cover before opening cover B.

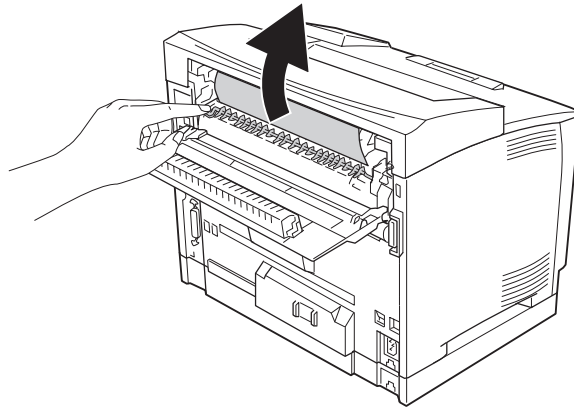


2. Open the paper holder by pulling down the lever with a black star on it.

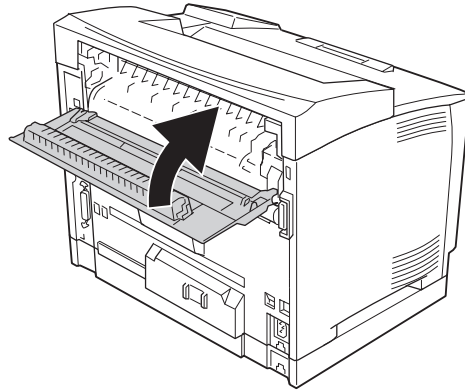
**Warning:**

Be careful not to touch the rollers in the fuser unit, they may be very hot.

3. If there is any jammed paper, remove it gently while holding the paper holder. Be careful not to tear the jammed paper.

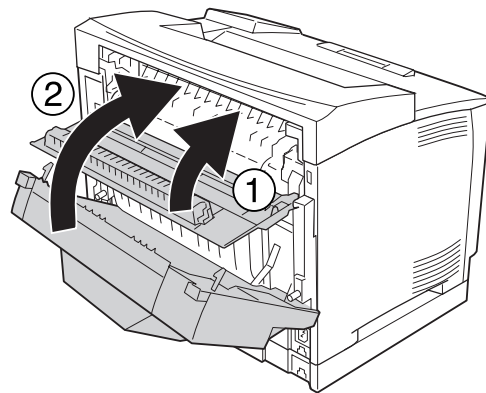


4. Close the paper holder and close cover B.

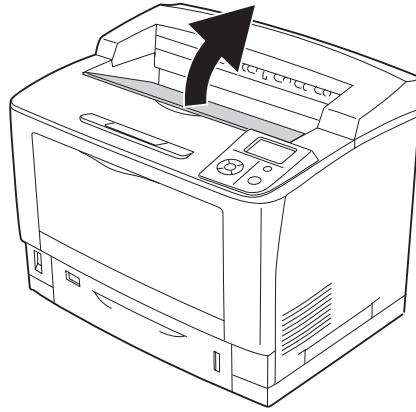


Note:

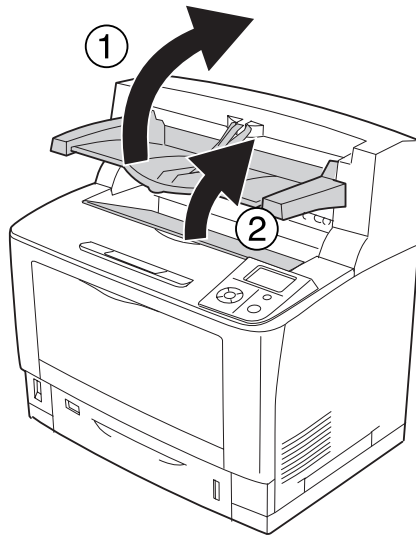
When the optional Duplex Unit is installed, close the Duplex Unit's cover after closing cover B.



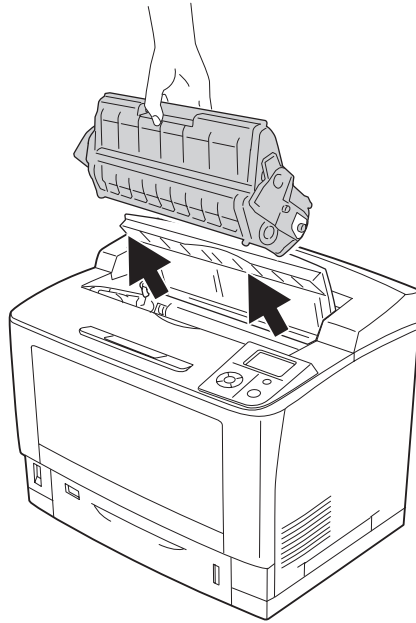
5. Open cover A.



Note:
 When the optional Stacker is installed, raise the stacker first, then open cover A.



6. Hold the handle of the imaging cartridge and pull it out.

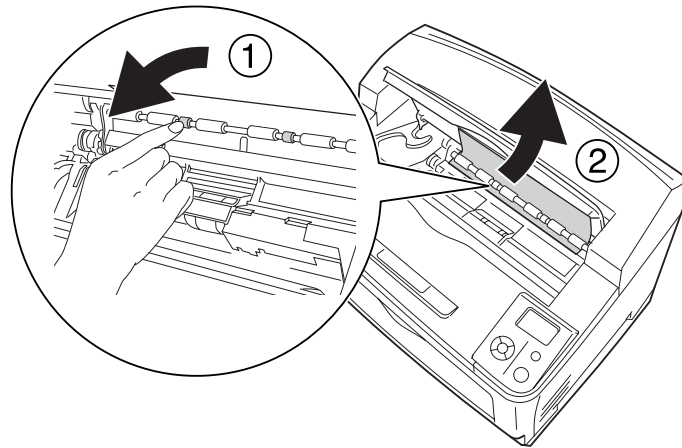


Note:
Place the cartridge on a clean, flat surface.

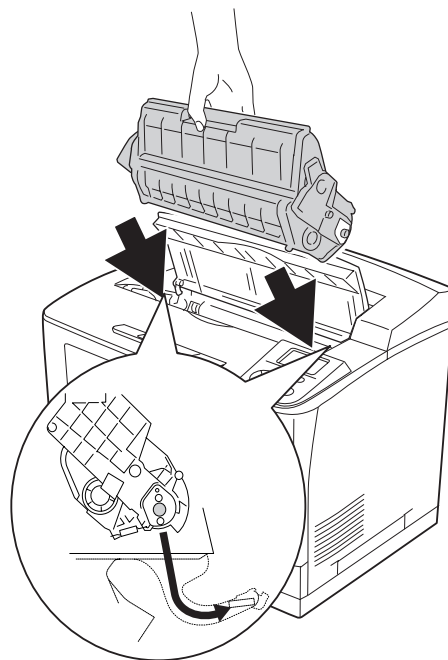
7. If there is any jammed paper, remove it gently with both hands. Be careful not to tear the jammed paper.

Note:

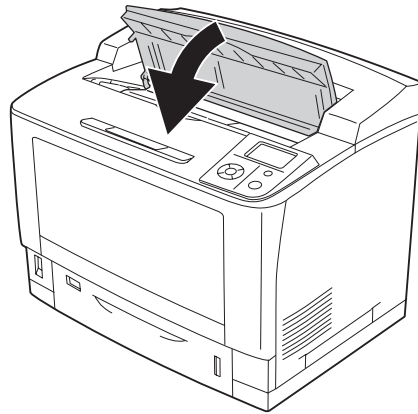
When jammed paper cannot be removed easily, turn the roller to take tension off the paper, then pull it straight out.



8. Reinstall the imaging cartridge.

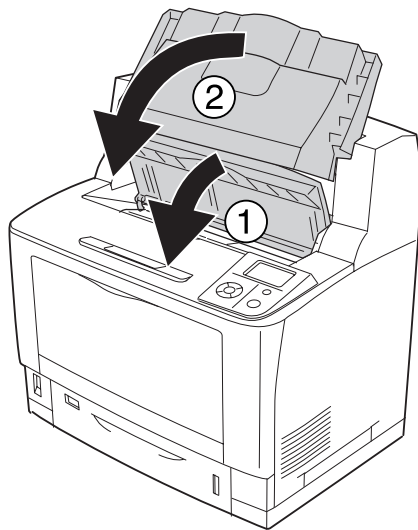


9. Close cover A.



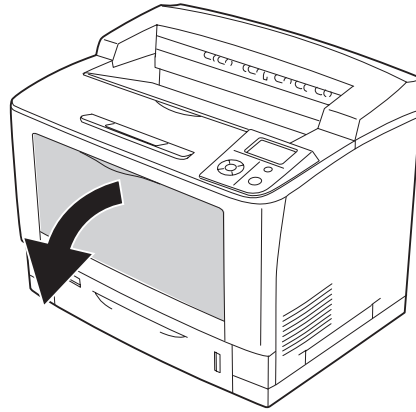
Note:

When the optional Stacker is installed, close cover A first, then lower the stacker.

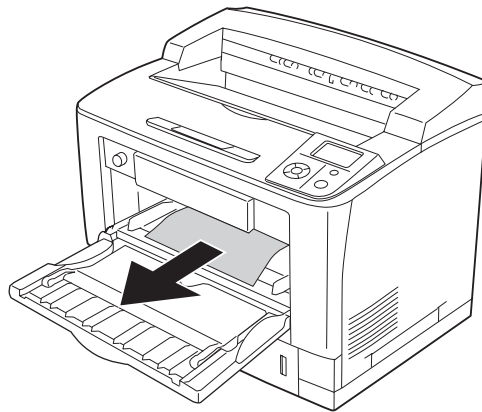


Paper Jam MP A (MP tray or Cover A)

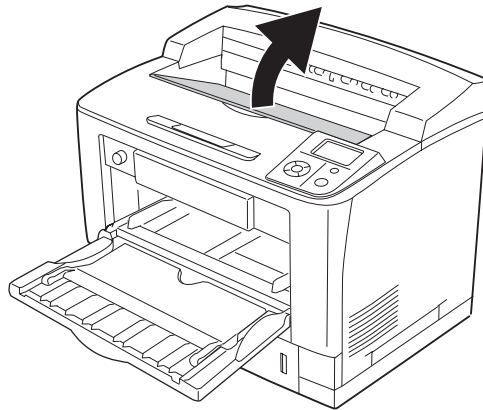
1. Open the MP tray.



2. If there is any jammed paper, remove it gently with both hands. Be careful not to tear the jammed paper.

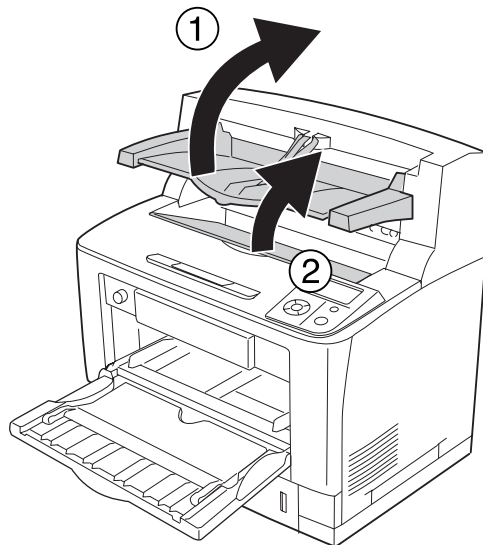


3. Open cover A.

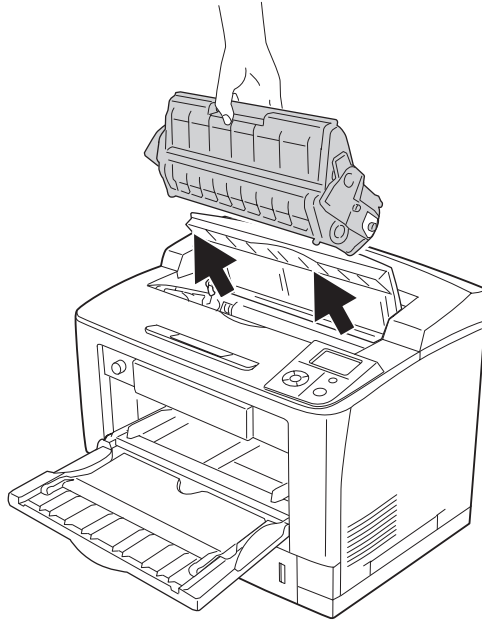


Note:

When the optional Stacker is installed, raise the stacker first, then open cover A.



4. Hold the handle of the imaging cartridge and pull it out.

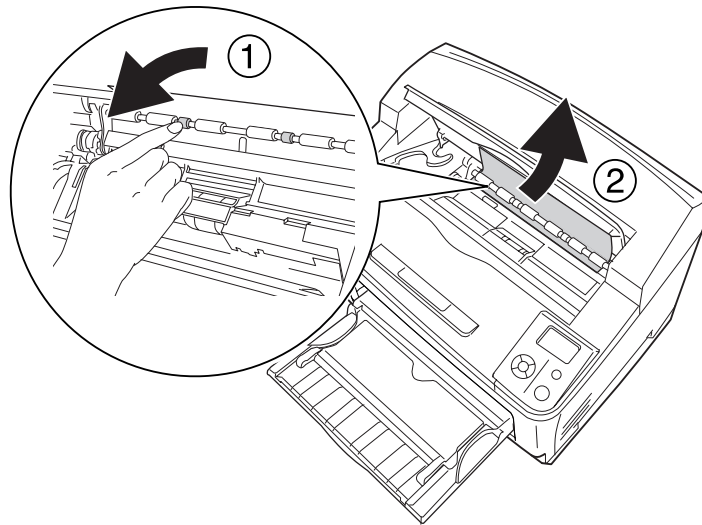


Note:
Place the cartridge on a clean, flat surface.

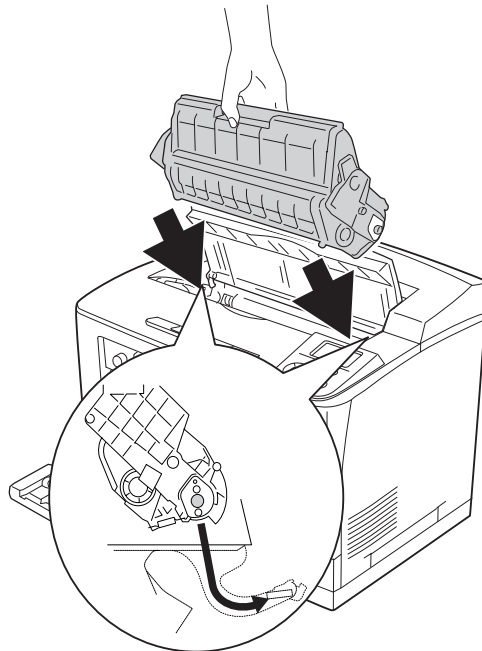
5. If there is any jammed paper, remove it gently with both hands. Be careful not to tear the jammed paper.

Note:

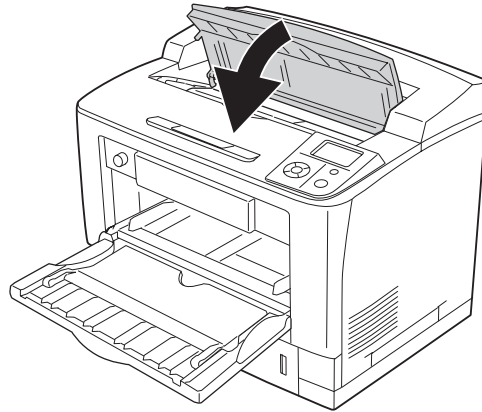
When jammed paper cannot be removed easily, turn the roller to take tension off the paper, then pull it straight out.



6. Reinstall the imaging cartridge.

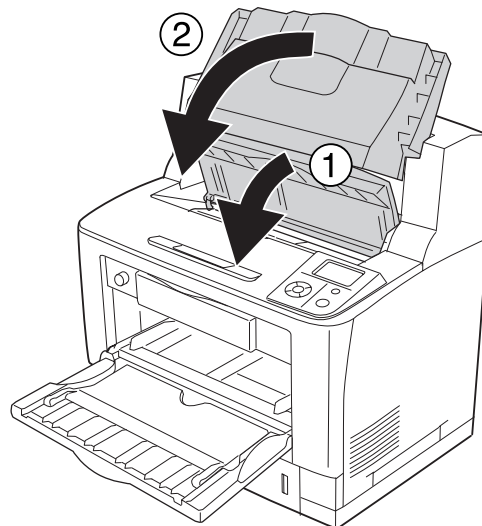


7. Close cover A.



Note:

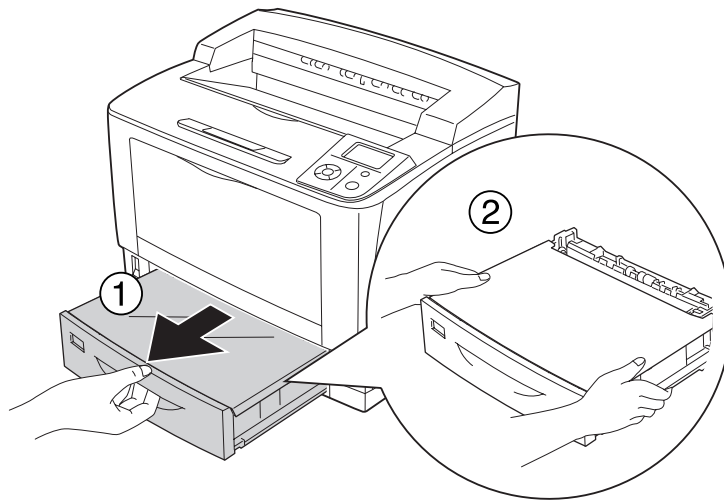
When the optional Stacker is installed, close cover A first, then lower the stacker.



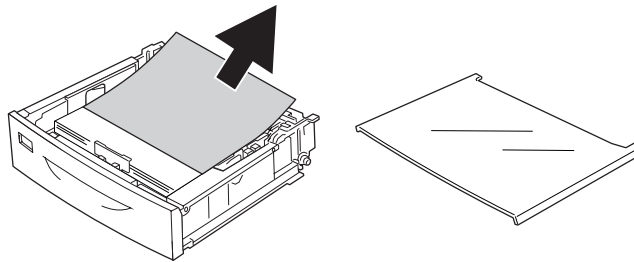
Paper Jam C1 A, Paper Jam C2 A, Paper Jam C3 A, Paper Jam C4 A (All paper cassettes and Cover A)

The instruction describes about standard lower paper cassette C1 as an example. Use the same procedure for optional paper cassette C2, C3, and C4.

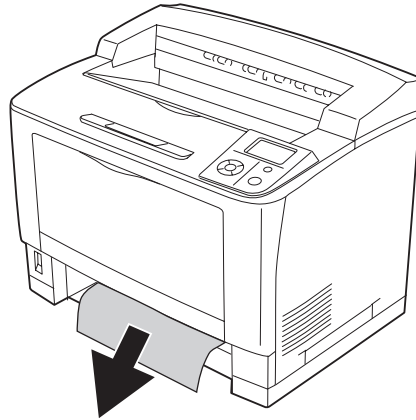
1. Pull out the paper cassette from the printer.



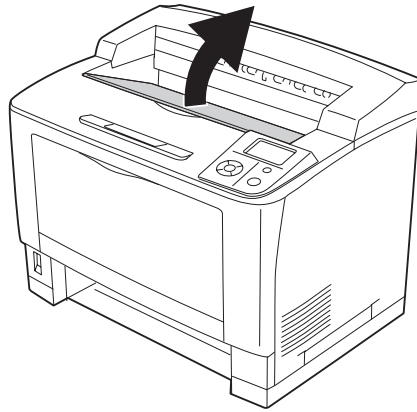
2. Remove the tray cover and discard any crumpled paper. Then, reattach the tray cover.



3. Gently remove the jammed paper with both hands. Be careful not to tear the jammed paper.

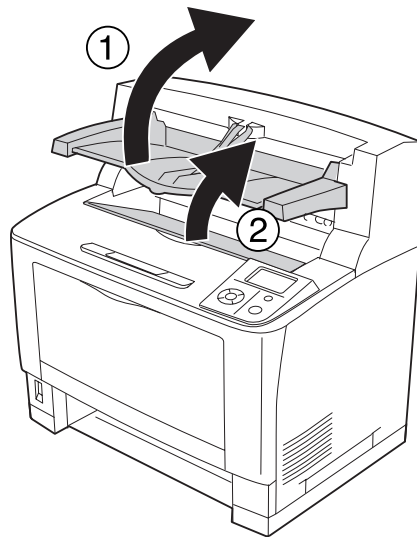


4. Open cover A.

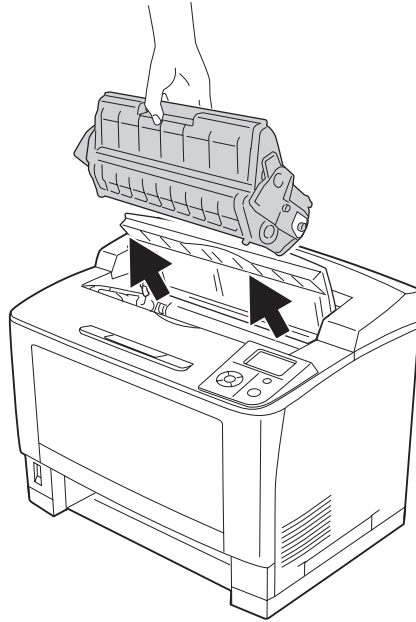


Note:

When the optional Stacker is installed, raise the stacker first, then open cover A.



5. Hold the handle of the imaging cartridge and pull it out.

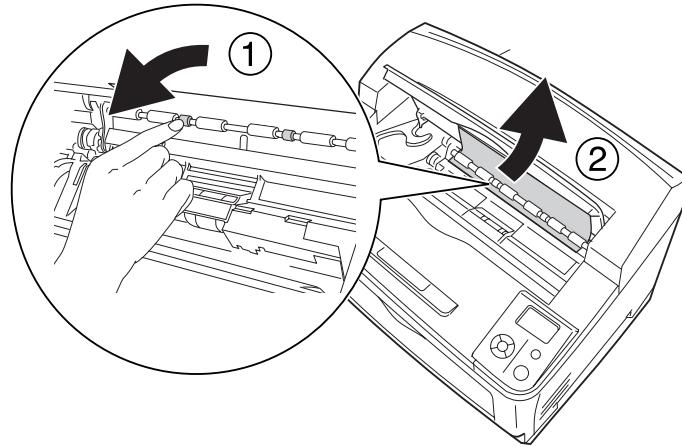


Note:
Place the cartridge on a clean, flat surface.

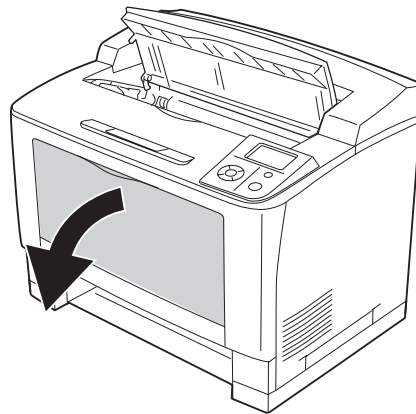
6. If there is any jammed paper, remove it gently with both hands. Be careful not to tear the jammed paper.

Note:

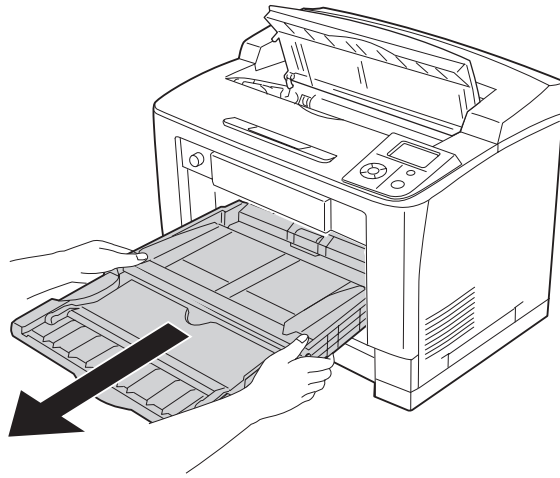
When jammed paper cannot be removed easily, turn the roller to take tension off the paper, then pull it straight out.



7. Open the MP tray.

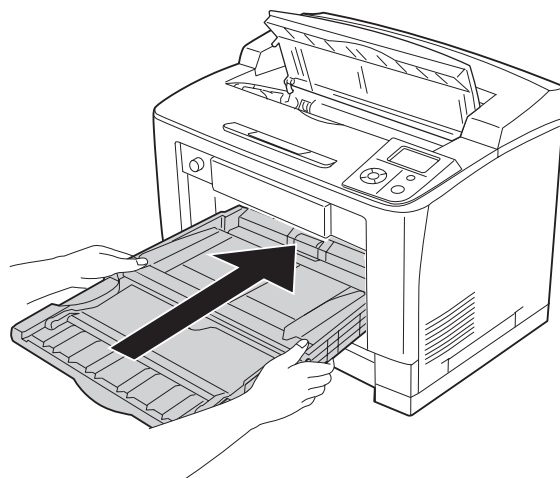


8. Pull out the MP tray from the printer.

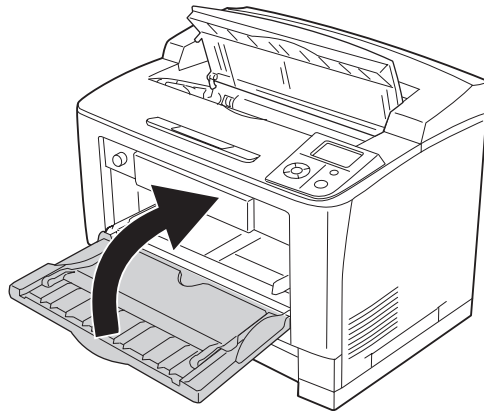


9. If there is any jammed paper, remove it gently with both hands. Be careful not to tear the jammed paper.

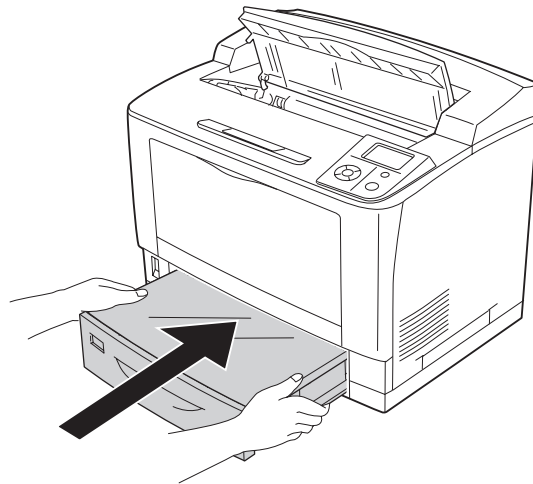
10. Insert the MP tray into the printer.



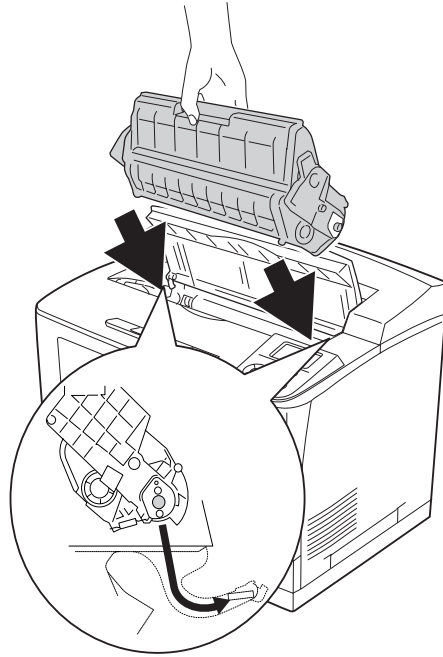
11. Close the MP tray.



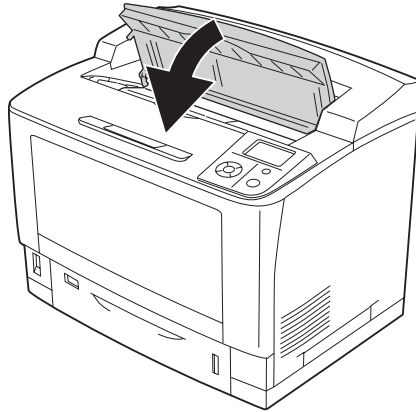
12. Reinsert the paper cassette.



13. Reinstall the imaging cartridge.

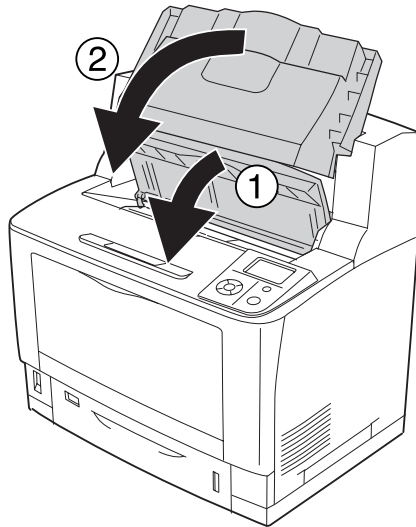


14. Close cover A.



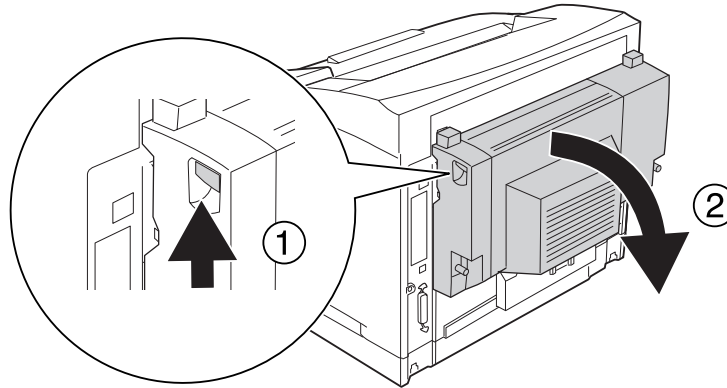
Note:

When the optional Stacker is installed, close cover A first, then lower the stacker.

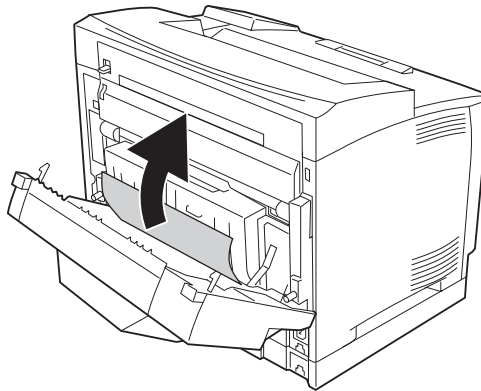


Paper Jam DM (Duplex Unit's cover)

1. Press the unlock button to unlock the hooks. Then open the Duplex Unit's cover.



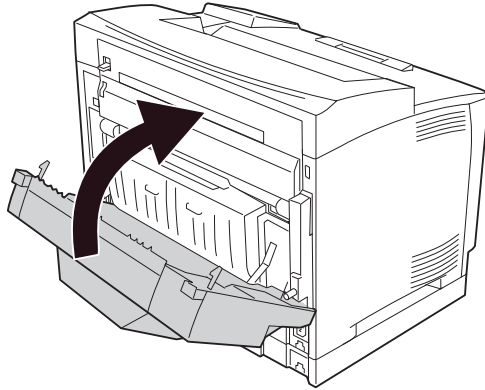
2. Gently remove the jammed paper inside the cover. Be careful not to tear the paper.



Note:

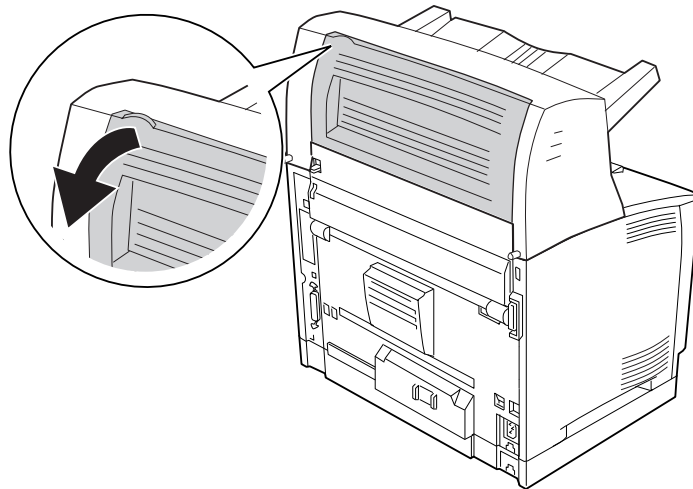
- ❑ If paper is torn, be sure to remove all torn parts.
- ❑ When you cannot remove jammed paper by this procedure, open cover A or cover B and remove the jammed paper as described in "Paper Jam B A (Cover B or A)" on page 161.

3. Close the Duplex Unit's cover.

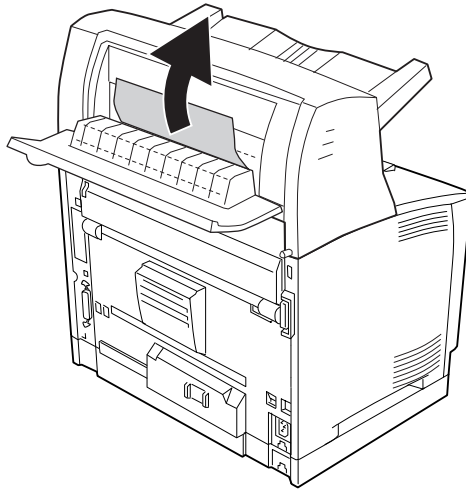


Paper Jam STK (Stacker)

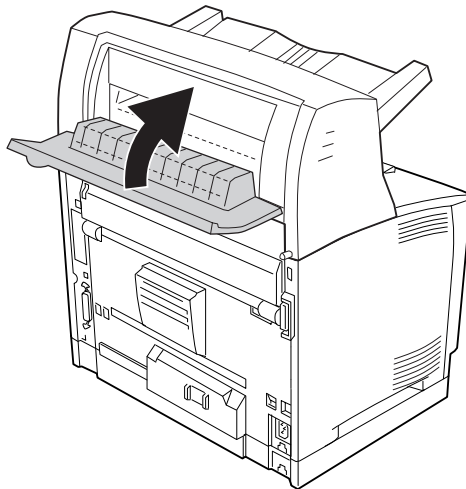
1. Open the stacker cover by pulling the tab at the top left of the stacker cover.



2. Remove any jammed paper inside the Stacker.



3. Close the Stacker cover.



Printing a Configuration Status Sheet

To confirm the current status of the printer, and that the options are installed correctly, print a configuration status sheet using the printer's control panel or the printer driver.

To print a configuration status sheet from the printer's control panel, see "Printing a Configuration Status Sheet" on page 105.

To print a configuration status sheet from the printer driver, for Windows, see "Printing a configuration status sheet" on page 205.

Operational Problems

The Ready light does not turn on

Cause	What to do
The power cord may not be properly plugged into the electrical outlet.	Turn off the printer, check the power cord connections between the printer and the electrical outlet, then turn the printer back on.
The electrical outlet may be controlled by an outside switch or an automatic timer.	Make sure that the switch is turned on or plug another electrical device into the outlet to check whether the outlet is operating properly.
The circuit breaker switch located on the back of the printer is off.	Make sure that there is no electrical leakage, and then turn the circuit breaker switch on. See "Earth leakage circuit protector" on page 15.

The printer does not print (Ready light off)

Cause	What to do
The printer is offline.	Press the Start/Stop button once to switch the printer to ready status. Make sure that the Ready light turns on.
Some error may have occurred.	Check the LCD panel to see if an error message appears.

The Ready light is on but nothing prints

Cause	What to do
Your computer may not be properly connected to the printer.	Perform the procedure illustrated in the <i>Setup Guide</i> .

Cause	What to do
The interface cable may not be plugged in securely.	Check both ends of the interface cable between the printer and the computer.
You may not be using the correct interface cable.	If you are using the parallel interface, make sure that the cable is a double-shielded, twisted-pair interface cable no more than six feet in length. If you are using the USB interface, use a Revision 2.0 cable.
Your application software is not properly set up for your printer.	Make sure that the printer is selected in your application software.
Your computer system's memory is too small to handle the volume of data in your document.	Try reducing the image resolution of your document in the application software, or install more memory in your computer if you can.

The optional product is not available

Cause	What to do
The printer does not recognize the optional product.	Print a configuration status sheet to see if the printer recognizes the optional product. If not, reinstall the optional product.
For Windows users, EPSON Status Monitor is not installed.	For Windows users: You have to install EPSON Status Monitor, or make settings manually in the printer driver. See "Making Optional Settings" on page 205.

The remaining service life of the consumables is not updated (Windows only)

Cause	What to do
The interval between updating information for the consumables is too long.	Press the Get Information Now button on the Consumable Info Settings dialog box. You can also change the interval for updating information about the consumables on the Consumable Info Settings dialog box.

Cannot install software or drivers

Cause	What to do
You are not accessing the operating system with the administrator privilege.	Access the operating system with the administrator privilege.

Cannot access the shared printer

Cause	What to do
Inappropriate texts are used for the Share name of the shared printer.	Do not use spaces or hyphens for the Share name.
An additional driver cannot be installed on the client computer, although the print server's OS and the client OS are different.	Install the printer drivers from the CD-ROM.
Your network system causes this problem.	Ask the administrator of the network for assistance.

Note:

For the additional driver to be installed, please see the table below.

Server OS	Client OS	Additional Driver
Windows 2000	Windows XP or 2000 clients	Intel Windows 2000
Windows XP*	Windows XP or 2000 clients	Intel Windows 2000 or XP
	Windows XP x64 clients	x64 Windows XP
Windows XP x64, Server 2003, or Server 2003 x64*	Windows XP or 2000 clients	x86 Windows 2000, Windows XP and Windows Server 2003
	Windows XP x64 clients	x64 Windows XP and Windows Server 2003
Windows Vista, Vista x64, Server 2008, or Server 2008 x64	Windows Vista, XP, or 2000 clients	x86 Type 3 - User Mode
	Windows Vista x64 or XP x64 clients	x64 Type 3 - User Mode

* The additional driver for Windows XP x64 and Server 2003 x64 can be used on Windows XP Service Pack 2, Windows 2003 Service Pack 1, or later.

Printout Problems

The font cannot be printed

Cause	What to do
For Windows users, you may use the printer fonts substituted for specified TrueType fonts.	In the printer driver, choose the Print TrueType fonts as bitmap check box in the Extended Settings dialog box.
The selected font is not supported by your printer.	Make sure that you have installed the correct font. See the <i>Font Guide</i> for more information.

Printout is garbled

Cause	What to do
The interface cable may not be plugged in securely.	Make sure that both ends of the interface cable are plugged in securely.
You may not be using the correct interface cable.	If you are using the parallel interface, make sure that the cable is a double-shielded, twisted-pair interface cable no more than six feet in length. If you are using the USB interface, use a Revision 2.0 cable.
The emulation setting for the port may not be correct.	Specify the emulation mode by using the printer's control panel menus. See "Emulation Menu" on page 69.

Note:

If a configuration status sheet does not print correctly, your printer may be damaged. Contact your dealer or a qualified service representative.

The printout position is not correct

Cause	What to do
The page length and margins may be set incorrectly in your application.	Make sure that you are using the correct page length and margin settings in your application.
The Paper Size setting may be incorrect.	Make sure the correct paper size is set in the Tray Menu on the control panel.

Cause	What to do
The MP Tray Size setting may be incorrect.	When loading paper for which the size is not specified with Auto setting, specify the correct paper size by the tray paper size switch or on the MP Tray Size setting in the Tray Menu on the control panel.
The size of the loaded paper is incorrect.	<p>MP tray: Make sure that the size of paper loaded in the MP tray matches the tray paper size switch and the MP Tray Size setting in the Tray Menu. See "MP tray" on page 30.</p> <p>Lower paper cassette: Make sure that the size of paper loaded in the lower paper cassette matches the Cassette1 Size, Cassette2 Size, Cassette3 Size, or Cassette4 Size setting in the Tray Menu and the positions of the paper guides are correct. See "Standard lower paper cassette" on page 33.</p>

Graphics do not print correctly

Cause	What to do
The printer emulation setting in your application may be incorrect.	Make sure that your application is set for the printer emulation you are using. For example, if you are using the ESC/Page mode, make sure that your application is set to use an ESC/Page printer.
You may need more memory.	Graphics require large amounts of memory. Install an appropriate memory module. See "Memory Module" on page 131.

Print Quality Problems

The background is dark or dirty

Cause	What to do
You may not be using the correct type of paper for your printer.	If the surface of your paper is too rough, printed characters may appear distorted or broken. Smooth, high-quality copier paper is recommended for best results. See "Available paper types" on page 229 for information on choosing paper.
The paper path inside the printer may be dusty.	Clean internal printer components by printing three pages with only one character per page.

Cause	What to do
The Density setting may be too dark.	In the printer driver, click Extended Setting on the Optional Settings tab, and then lighten the Density setting.

White dots appear in the printout

Cause	What to do
The paper path inside the printer may be dusty.	Clean internal printer components by printing three pages with only one character per page.

Print quality or tone is uneven

Cause	What to do
Your paper may be moist or damp.	Do not store paper in a humid or damp environment.
The imaging cartridge may be near the end of its service life.	If the message on the LCD panel or in EPSON Status Monitor indicates that the imaging cartridge is near the end of its service life, replace the imaging cartridge. See "Replacing Consumable Products" on page 147. For Windows users, you can also check the remaining service life of the imaging cartridge by looking at the Basic Settings tab in the printer driver.
There may be a problem with imaging cartridge.	Replace the imaging cartridge. See "Replacing Consumable Products" on page 147.

Half-tone images print unevenly

Cause	What to do
Your paper may be moist or damp.	Do not store paper in a humid or damp environment. Be sure to use paper that is newly unwrapped.

Cause	What to do
The imaging cartridge may be near the end of its service life.	If the message on the LCD panel or in EPSON Status Monitor indicates that the imaging cartridge is near the end of its service life, replace the imaging cartridge. See "Replacing Consumable Products" on page 147. For Windows users, you can also check the remaining service life of the imaging cartridge by looking at the Basic Settings tab in the printer driver.
The gradation setting is too small when printing graphics.	For Windows users, on the Basic Settings tab in the printer driver, select Advanced and click the More Settings button. Then select the Halftoning .
There may be a problem with imaging cartridge.	Replace the imaging cartridge. See "Replacing Consumable Products" on page 147.

Toner smudges

Cause	What to do
Your paper may be moist or damp.	Do not store your paper in a humid or damp environment.
You may not be using the correct type of paper for your printer.	EPSON Color Laser Paper or smooth, high-quality copier paper is recommended for best results. See "Available paper types" on page 229 for information on choosing paper.
The paper path inside the printer may be dusty.	Clean internal printer components by printing three pages with only one character per page.
There may be a problem with imaging cartridge.	Replace the imaging cartridge. See "Replacing Consumable Products" on page 147.

Areas are missing in the printed image

Cause	What to do
Your paper may be moist or damp.	This printer is sensitive to moisture absorbed by the paper. The higher the moisture content in the paper, the lighter the printout. Do not store paper in a humid or damp environment.
You may not be using the correct type of paper for your printer.	If the surface of your paper is too rough, printed characters may appear distorted or broken. Smooth, high-quality copier paper is recommended for best results. See "Available paper types" on page 229 for information on choosing paper.

Completely blank pages are output

Cause	What to do
The printer may have loaded more than one sheet at a time.	Remove the paper stack and fan it. Tap it on a flat surface to even the edges, then reload the paper.
The problem may be with your application or interface cable.	Print out a configuration status sheet. See "Printing a Configuration Status Sheet" on page 184. If a blank page is ejected, the problem may be with the printer. Turn off the printer and contact your dealer.
The Paper Size setting may be incorrect.	Make sure the correct paper size is set in the Tray Menu on the control panel.
The MP Tray Size setting may be incorrect.	When loading paper for which the size is not specified with Auto setting, specify the correct paper size by the tray paper size switch or on the MP Tray Size setting in the Tray Menu on the control panel.
The cartridge seal may not be pulled out of the imaging cartridge.	Make sure that the cartridge seal has been pulled out completely. For details, see the instructions on the imaging cartridge package.
The imaging cartridge may be near the end of its service life.	If the message on the LCD panel or in EPSON Status Monitor indicates that the imaging cartridge is near the end of its service life, replace the imaging cartridge. See "Replacing Consumable Products" on page 147. For Windows users, you can also check the remaining service life of the imaging cartridge by looking at the Basic Settings tab in the printer driver.
There may be a problem with imaging cartridge.	Replace the imaging cartridge. See "Replacing Consumable Products" on page 147.

The printed image is light or faint

Cause	What to do
Your paper may be moist or damp.	Do not store your paper in a humid or damp environment.
The Toner Save mode may be on.	Turn off the Toner Save mode using the printer driver or the printer's control panel menus. For Windows users, on the Basic Settings tab in the printer driver, click Advanced and select the More Settings button. Then deselect the Toner Save check box.

Cause	What to do
The imaging cartridge may be near the end of its service life.	If the message on the LCD panel or in EPSON Status Monitor indicates that the imaging cartridge is near the end of its service life, replace the imaging cartridge. See "Replacing Consumable Products" on page 147. For Windows users, you can also check the remaining service life of the imaging cartridge by looking at the Basic Settings tab in the printer driver.
There may be a problem with imaging cartridge.	Replace the imaging cartridge. See "Replacing Consumable Products" on page 147.
The Density setting may be too dark.	In the printer driver, click Extended Setting on the Optional Settings tab, and then lighten the Density setting.

The non-printed side of the page is dirty

Cause	What to do
Toner may have spilled onto the paper feed path.	Clean internal printer components by printing three pages with only one character per page.

Print quality decreased

Cause	What to do
The printer cannot print in the required quality level because of insufficient memory, and the printer lowers the quality automatically so that the printer can continue printing.	Check to see if the printout is acceptable. If not, add more memory for a permanent solution or lower print quality temporarily in the printer driver. If RAM Disk is set to Maximum or Normal on the control panel, you can increase the available memory space by changing this setting to Off.

Memory Problems

Insufficient memory for current task

Cause	What to do
The printer has insufficient memory for current task.	<p>Add more memory for a permanent solution or lower print quality temporarily in the printer driver.</p> <p>If RAM Disk is set to Maximum or Normal on the control panel, you can increase the available memory space by changing this setting to Off.</p>

Insufficient memory to print all copies

Cause	What to do
The printer does not have sufficient memory to collate print jobs.	<p>Reduce the size of print jobs, or increase the available memory on your printer. You can increase the available memory by installing an optional memory module or CompactFlash memory. See "Installing a memory module" on page 132 or "Installing a CompactFlash memory" on page 140 for details.</p> <p>When RAM Disk is set to Maximum or Normal on the control panel, you can increase the amount of available memory by changing this setting to off.</p>

Paper Handling Problems

Paper does not feed properly

Cause	What to do
The paper guides are not set correctly.	Make sure that the paper guides in all the paper cassettes and the MP tray are set to the correct paper size positions.
The paper source setting may not be correct.	Make sure that you have selected the correct paper source in your application.
There may be no paper in the paper source.	Load paper into the selected paper source.

Cause	What to do
The size of loaded paper differs from the control panel or printer driver settings.	Make sure that the correct paper size and paper source are set in the control panel or printer driver.
Too many sheets may be loaded in the MP tray or paper cassettes.	Make sure that you have not tried to load too many sheets of paper. For the maximum paper capacity for each paper source, see "General" on page 231.
If paper does not feed from the optional paper cassette unit, the unit may not be installed properly.	For instructions on installing the unit, see "Optional Paper Cassette Unit" on page 108.
The pickup roller is dirty.	Clean up the pickup roller. For instructions, see "Cleaning the pickup roller" on page 149.
The optional paper cassette may not be installed properly.	See "Optional Paper Cassette Unit" on page 108 for instructions on installing an optional paper cassette unit.

Paper cannot be output to the Stacker

Cause	What to do
The Stacker is not installed correctly.	Print a configuration status sheet to see if the Stacker is installed correctly. See "Printing a Configuration Status Sheet" on page 184. If the Stacker is not installed correctly, turn off the printer and reinstall the Stacker properly.

Problems Using Options

To confirm your options are installed correctly, print a configuration status sheet. See "Printing a Configuration Status Sheet" on page 184 for details.

The message Invalid AUX I/F Card appears on the LCD panel

Cause	What to do
The printer cannot recognize the installed optional interface card.	Turn off the printer, then remove the card. Make sure the interface card is of a supported model.

Paper does not feed from the optional paper cassette

Cause	What to do
The paper guides are not set correctly.	Make sure that the paper guides in the optional paper cassettes are set to the correct paper size positions.
The optional paper cassette may not be installed properly.	See "Optional Paper Cassette Unit" on page 108 for instructions on installing an optional paper cassette unit.
The paper source setting may not be correct.	Make sure you have selected the proper paper source in your application.
There may be no paper in the paper cassette.	Load paper into the selected paper source.
Too many sheets may be loaded in the paper cassette.	Make sure that you have not tried to load too many sheets of paper. For the maximum paper capacity for each paper source, see "MP tray" on page 30, "Standard lower paper cassette" on page 33, and "Optional paper cassette unit" on page 38.
The paper size is not set correctly.	Make sure to set the paper guides in the optional paper cassette correctly.

Feed jam when using the optional paper cassette

Cause	What to do
The paper is jammed at the optional paper cassette.	See "Clearing Jammed Paper" on page 156 to clear jammed paper.

An installed option cannot be used

Cause	What to do
The installed option is not defined in the printer driver.	For Windows users: You have to make settings manually in the printer driver. See "Making Optional Settings" on page 205.

Correcting USB Problems

If you are having difficulty using printer with a USB connection, see if your problem is listed below, and take any recommended actions.

USB connections

USB cables or connections can sometimes be the source of USB problems.

For best results, you should connect the printer directly to the computer's USB port. If you must use multiple USB hubs, we recommend that you connect the printer to the first-tier hub.

Windows operating system

Your computer must be a model pre-installed with Windows Vista, Vista x64, XP, XP x64, 2000, Server 2008, Server 2008 x64, Server 2003, or Server 2003 x64, or a model that was pre-installed with Windows 2000, Server 2003, or Server 2003 x64, and upgraded to Windows Vista, Vista x64, XP, XP x64, Server 2008, or Server 2008 x64. You may not be able to install or run the USB printer driver on a computer that does not meet these specifications or that is not equipped with a built-in USB port.

For details about your computer, contact your dealer.

Printer software installation

Incorrect or incomplete software installation can lead to USB problems. Take note of the following and perform the recommended checks to ensure proper installation.

Checking printer software installation

When using Windows Vista, Vista x64, XP, XP x64, 2000, Server 2008, Server 2008 x64, Server 2003, or Server 2003 x64, you must follow the steps in the *Setup Guide* packed with the printer to install the printer software. Otherwise, Microsoft's Universal driver may be installed instead. To check if the Universal driver has been installed, follow the steps below.

1. Open the **Printers** folder, then right-click the icon of your printer.
2. Click **Printing Preferences** on the shortcut menu that appears, then right-click anywhere in the driver.

If **About** is displayed in the shortcut menu that appears, click it. If a message box with the words "Unidrv Printer Driver" appears, you must reinstall the printer software as described in the *Setup Guide*. If About is not displayed, the printer software has been installed correctly.


Note:

- ❑ For Windows 2000, if the Digital Signature Not Found dialog box appears during the installation process, click **Yes**. If you click **No**, you will have to install the printer software again.
- ❑ For Windows Vista, Vista x64, XP, XP x64, Server 2003, or Server 2003 x64, if the Software Installation dialog box appears during the installation process, click **Continue Anyway**. If you click **STOP Installation**, you will have to install the printer software again.
- ❑ For Windows Server 2008 or Server 2008 x64, if the Windows Security dialog box appears during the installation process, click **Install this driver software anyway**. If you click **Don't install this driver software**, you will have to install the printer software again.

Status and Error Messages

You can see the printer's status and error messages on the LCD panel. For more information, see "Status and Error Messages" on page 92.

Canceling Printing

Press the  **Cancel Job** button on the printer's control panel.

To cancel a print job before it is sent from your computer, see "Cancelling a Print Job" on page 43.

Printing in the PostScript 3 Mode Problems

The problems listed in this section are those that you may encounter when printing with the PostScript driver. All procedural instructions refer to the PostScript printer driver.

The printer does not print correctly in the PostScript mode

Cause	What to do
The printer's emulation mode setting is incorrect.	The printer is set to the Auto mode by default, so that it can automatically determine the encoding used in the received print job data and select the appropriate emulation mode. However, there are situations where the printer cannot select the correct emulation mode. In this case, it must be set manually to PS3 . Set the emulation mode through the SelectTypeEmulation Menu on the printer. See "Emulation Menu" on page 69.
The printer's emulation mode setting for the interface that you are using is incorrect.	The emulation mode can be set individually for each interface which receives print job data. Set the emulation mode for the interface you are using to PS3 . Set the emulation mode through the SelectTypeEmulation Menu on the printer. See "Emulation Menu" on page 69.

The printer does not print

Cause	What to do
The Save as File check box is selected on the Output Options sheet in the Print dialog box (for Mac OS X 10.3.9).	Clear the Save as File check box on the Output Options sheet in the Print dialog box.
An incorrect printer driver is selected.	Make sure that the PostScript printer driver that you are using to print is selected.
The Emulation Menu in the printer's Control Panel is set to a mode other than Auto or PS3 for the interface that you are using.	Change the mode setting to either Auto or PS3 .

The printer or its driver does not appear in utilities in the printer configuration (Macintosh only)

Cause	What to do
The printer name has been changed.	Ask the network administrator for details, then select the appropriate printer name.
The AppleTalk zone setting is incorrect (for Mac OS X 10.4 or below).	Open the Print & Fax (for Mac OS X 10.5) or Printer Setup Utility (Mac OS X 10.4 or below), then select the AppleTalk zone that the printer is connected to.

The font on the printout is different from that on the screen

Cause	What to do
The PostScript screen fonts are not installed.	The PostScript screen fonts must be installed on the computer that you are using. Otherwise, the font that you select is substituted by some other font for display on the screen.
For Windows users only The appropriate substitution fonts are not correctly specified on the Device Settings sheet of the printer's Properties dialog box.	Specify the appropriate substitution fonts using the Font Substitution Table.

The printer fonts cannot be installed

Cause	What to do
The Emulation menu in the printer's Control Panel is not set to P _S 3 for the interface that you are using.	Change the Emulation Menu setting to P _S 3 for the interface that you are using, then try reinstalling the printer fonts again.

The edges of texts and/or images are not smooth

Cause	What to do
The Print Quality is set to Fast .	Change the Print Quality setting to Fine or Maximum .
The printer does not have sufficient memory.	Increase the printer memory.

The printer does not print normally via the USB interface

Cause	What to do
For Windows users only The Data Format setting in the printer's Properties is not set to ASCII or TBCP .	The printer cannot print binary data when it is connected to the computer via the USB interface. Make sure that the Data Format setting, which is accessed by clicking Advanced on the PostScript sheet of the printer's Properties, is set to ASCII or TBCP . If your computer is running Windows Vista, Vista x64, XP, XP x64, click the Device Settings tab in the printer's Properties, then click the Output Protocol setting and select ASCII or TBCP .

Cause	What to do
<p>For Macintosh users only</p> <p>The print setting in the application is set to Binary encoding.</p>	<p>The printer cannot print binary data when it is connected to the computer via the USB interface. Make sure that the print setting in the application is set to ASCII encoding.</p>

The printer does not print normally via the network interface

Cause	What to do
<p>For Windows users only</p> <p>The Data Format setting is different from the data format setting specified in the application.</p>	<p>If the file is created in an application that allows you to change the data format or encoding, such as Photoshop, make sure that the setting in the application matches that in the printer driver.</p>
<p>For Windows users only</p> <p>The computer is connected to the network using AppleTalk in a Windows 2000 environment, and the Send CTRL+D Before Each Job or Send CTRL+D After Each Job setting on the Device Settings sheet of the printer's Properties dialog box is set to Yes.</p>	<p>Make sure that both the Send CTRL+D Before Each Job and Send CTRL+D After Each Job settings are set to No.</p>
<p>For Windows users only</p> <p>The print data is too large.</p>	<p>Click Advanced on the PostScript sheet of the printer's Properties, then change the Data Format setting from ASCII data (default) to TBCP (Tagged binary communications protocol).</p> <p>When the Binary setting is set to <input type="checkbox"/>, TBCP is not available. Use the Binary protocol. See "PS3 Menu" on page 82 for details.</p>
<p>For Windows users only</p> <p>Printing cannot be performed using the network interface.</p>	<p>Click Advanced on the PostScript sheet of the printer's Properties, then change the Data Format setting from ASCII data (default) to TBCP (Tagged binary communications protocol).</p> <p>When the Binary setting is set to <input type="checkbox"/>, TBCP is not available. Use the Binary protocol. See "PS3 Menu" on page 82 for details.</p>

An undefined error occurs (Macintosh only)

Cause	What to do
<p>The version of the Mac OS that you are using is unsupported.</p>	<p>This printer's driver can only be used on Macintosh computers running Mac OS X version 10.3.9 or later.</p>

Printing in the PCL6/5 Mode Problems

The problems listed in this section are those that you may encounter when printing in the PCL6/PCL5 mode. All procedural instructions, refer to “About the PCL Printer Driver” on page 226.

The printer does not print

Cause	What to do
The Print to file check box is selected in the Print dialog box.	Clear the Print to file check box in the Print dialog box.

The printer does not print correctly in the PCL mode (only for Epson PCL6 printer driver)

Cause	What to do
Graphics Mode may be set to Vector and the printing data may include the data that cannot be printed in the setting.	Access the printer driver, click the Graphics tab, then set the Graphics Mode to Raster .

The printer does not start manual duplex printing (only for Epson PCL6 printer driver)

Cause	What to do
The Print directly to the printer check box is not selected.	Select the Print directly to the printer check box on the Details tab.
The Network port is selected.	Change the port to either LPT or USB . The page order for duplex printing will be corrected.

The font on the printout is different from that on the screen

Cause	What to do
The EPSON Screen Fonts are not installed.	The screen fonts must be installed on the computer that you are using. Otherwise, the font that you select is substituted by some other font for display on the screen.

The edges of texts and/or images are not smooth (only for Epson PCL6 printer driver)

Cause	What to do
The resolution is set to 300 dpi .	Access the printer driver, click the Graphics tab, then select 600 dpi as the resolution.
The printer does not have sufficient memory.	Increase the printer memory.
The RITech is set to Off .	Access the printer driver, click the Graphics tab, then select On for RITech from the drop-down list.

Cannot print from Citrix Presentation Server 4.5 (only for Epson PCL6 printer driver)

Cause	What to do
The Enable advanced printing features setting is set to On .	<ol style="list-style-type: none"> 1. Right-click the printer's icon in the Printers folder, then select Properties. 2. Click the Advanced tab, then clear the Enable advanced printing features check box.

Chapter 8

About the Printer Software for Windows

Using the Printer Driver

The printer driver is the software that allows you to adjust printer settings to get the best results.

Note:

The printer driver's online help provides details on printer driver settings.

Note for Windows Vista users:

Do not press the power button or put your computer to standby or hibernate mode manually during printing.

Accessing the printer driver


You can access the printer driver directly from any application programs, and from your Windows operating system.

The printer settings made from any Windows applications override the setting made from the operating system.

From the application

Click **Print**, **Print Setup**, or **Page Setup** from the File menu. As necessary, click **Setup**, **Options**, **Properties**, or a combination of these buttons.

Windows Vista, Server 2008 users

Click  **Start**, click **Control Panel**, then double-click **Printers**. Right-click your printer's icon, then click **Printing Preferences**.

Windows XP, Server 2003 users

Click **Start**, click **Printers and Faxes**. Right-click your printer's icon, then click **Printing Preferences**.

Windows 2000 users

Click **Start**, point to **Settings**, then click **Printers**. Right-click your printer's icon, then click **Printing Preferences**.

Printing a configuration status sheet

To confirm the current status of the printer, print a configuration status sheet from the printer driver.

Note:

Print the configuration status sheet on A4 size paper (Landscape.)

1. Access the printer driver.
2. Click the **Optional Settings** tab and then click **Configuration** in Print Status Sheets.

Making Extended Settings

You can make various settings in the Extended Settings dialog box. To open the dialog box, click **Extended Settings** on the Optional Settings tab.

Making Optional Settings

You can update the installed option information manually if you have installed options to your printer.

1. Access the printer driver.
2. Click the **Optional Settings** tab, then select **Update the Printer Option Info Manually**.
3. Click **Settings**. The Optional Settings dialog box appears.
4. Make settings for each installed option, then click **OK**.

Displaying consumable information

The remaining service life of the consumables is displayed on the Basic Settings tab.

Note:

- ❑ *This function is available only when EPSON Status Monitor is installed.*
- ❑ *This information might be different from the information displayed in EPSON Status Monitor. Use EPSON Status Monitor to get more detailed information about consumables.*
- ❑ *If the genuine consumables are not used, the level indicator and the alert icon showing the remaining service life are not displayed.*

Ordering Consumables

Click the **Order Online** button on the Basic Settings tab. See “Order Online” on page 214 for details.

Note:

This function is available only when EPSON Status Monitor is installed.


Using EPSON Status Monitor

EPSON Status Monitor is a utility program that monitors your printer and gives you information about its current status.

Installing EPSON Status Monitor

1. Make sure that the printer is off and that Windows is running on your computer.
2. Insert the printer software CD-ROM in the CD-ROM drive.

Note:

- ❑ *If the Epson Installation Program screen does not appear automatically, click  **Start**, then click **Computer** (for Windows Vista or Server 2008) or click the **My Computer** icon on the desktop (for Windows XP, 2000 or Server 2003). Right-click the CD-ROM icon, click **Open** in the menu that appears, then double-click **Epsetup.exe**.*
- ❑ *If the language selection window appears, select the desired language.*

3. Click **Custom Install**.



Note:

- See the Network Guide for information on installing EPSON Status Monitor on a network.
- If you want to use the printer via the print server, you have to install EPSON Status Monitor from the CD-ROM with administrator privileges in each client.

4. Click **EPSON Status Monitor**.
5. Read the license agreement statement, then click **Accept**.
6. Select your country or region, then click **OK**. Epson Web site is registered.

Note:

- Be sure to register the Web site to order consumables online.
- If you click the **Cancel** button, the Web site is not registered, but the EPSON Status Monitor installation continues.

7. When the installation is complete, click **OK**.

Accessing EPSON Status Monitor

Right-click the EPSON Status Monitor tray icon on the taskbar, then select the printer name and menu you want to access.



Note:

- ❑ You can also access EPSON Status Monitor by clicking the **Simple Status** button on the *Optional Settings* tab on the printer driver.
- ❑ The *Order Online* dialog box also appears by clicking the **Order Online** button on the *Basic Settings* tab in the printer driver.

About	You can obtain information about EPSON Status Monitor such as product versions or interface versions.
Simple Status	You can check printer status, errors, and warnings.
Detailed Status*	You can monitor detailed printer status. When a problem occurs, the most probable solution is displayed. See "Detailed Status" on page 209.
Replacement Parts Information*	You can obtain information on paper sources and replacement parts. See "Replacement Parts Information" on page 210.
Job Information*	You can check print job information. See "Job Information" on page 211.
Notice Settings	You can make specific monitoring settings. See "Notice Settings" on page 213.
Order Online	You can order consumables online. See "Order Online" on page 214.
Tray Icon Settings	You can set the information to display when the Tray icon is double-clicked while there are no jobs sent from the computer.

* You can also access any of the menus by clicking the appropriate tab on each information window.

Note for Windows Vista and Server 2008 users:

EPSON Status Monitor is not available for monitoring Netware printers.

Note for Windows XP users:

EPSON Status Monitor is not available when printing from a Remote Desktop connection.

Note for NetWare users:

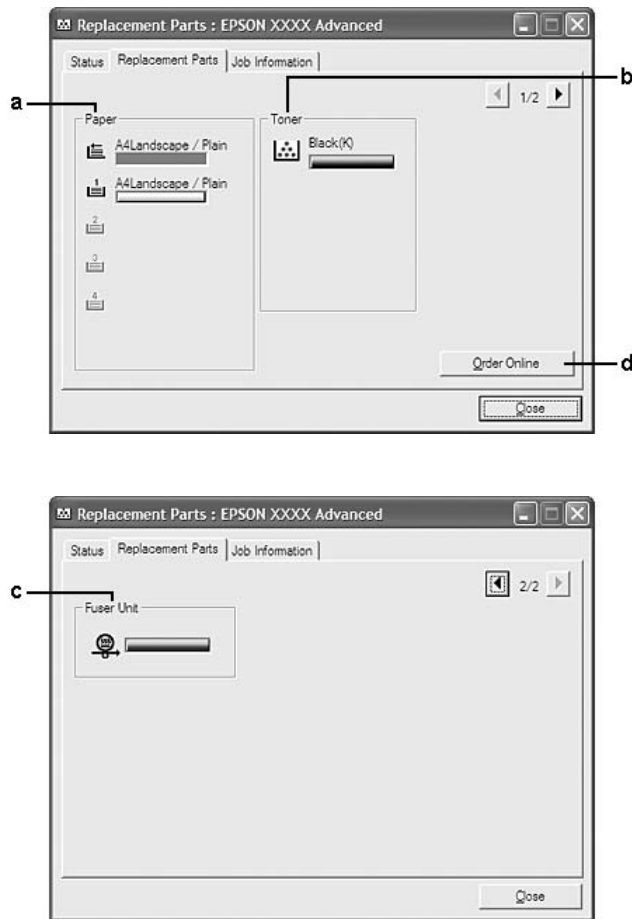
When monitoring NetWare printers, a Novell Client that corresponds to your operating system must be used. Operation is confirmed for the versions below:

- For Windows XP or 2000:
Novell Client 4.91 SP1 for Windows 2000/XP
- To monitor a NetWare printer, connect only one print server to each queue. For directions, see the Network Guide for the printer.
- You cannot monitor a NetWare queue printer beyond the IPX router because the setting for IPX hops is 0.
- This product supports NetWare printers configured by a queue-based printing system such as Bindery or NDS. You cannot monitor NDPS (Novell Distributed Print Services) printers.



Detailed Status



Replacement Parts Information



Note:

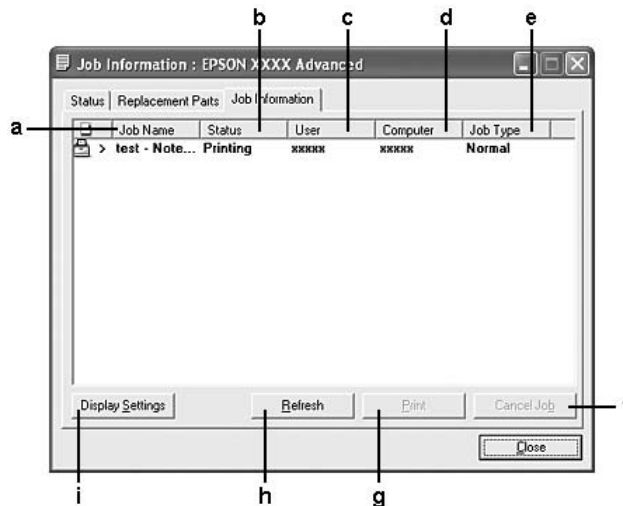
To change the two windows above, click  or .

a.	Paper:	Displays the paper size, the paper type and the approximate amount of paper remaining in the paper source.
b.	Toner:	Indicates the remaining service life of the imaging cartridge. The toner icon flashes when the imaging cartridge has some error or has neared the end of its service life.
c.	Fuser Unit:	Indicates the remaining service life of the fuser unit. The service icon flashes when the fuser unit has some error or has neared the end of its service life.
d.	Order Online button:	Clicking this button enables you to order consumables online. See "Order Online" on page 214 for details.

Note:

The remaining service lives of the replacement parts are displayed only if genuine Epson parts are used.

Job Information



a.	Job Name:	Displays the user's print job names. Other user's print jobs are displayed as -----.	
b.	Status:	Waiting:	Indicates the print job is waiting to be printed.
		Spooling:	Indicates the print job is being spooled on your computer.
		Deleting:	Indicates the print job is being deleted.
		Printing:	Indicates the print job is printed currently.
		Completed:	Indicates the print job have finished.
		Canceled:	Indicates the print job have been canceled.
		Held:	Indicates the print job is on hold.
c.	User:	Displays the user name.	
d.	Computer:	Displays the name of the computer that sent the print job.	
e.	Job Type:	Displays the job type. The jobs are displayed as Stored, Verify, Re-Print, and Confidential respectively. About the Reserve Job function, see "Using the Reserve Job Function" on page 62.	
f.	Cancel Job button:	Cancels the selected print job.	

g.	Print button:	Prints the held status job.
h.	Refresh button:	Refreshes the information on this menu.
i.	Display settings button:	Displays the Display Settings dialog box to select items and the order they are displayed on the Job Information screen and to select the type of jobs to be displayed.

Note for Windows XP users:

Shared Windows XP LPR connections and shared Windows XP Standard TCP/IP connections with Windows clients do not support the Job Management function.

The **Job Information** tab is available when the following connections are used:

Server and Client Environments:

- When using the shared Windows 2000, Server 2008, Server 2008 x64, Server 2003, or Server 2003 x64 LPR connection with Windows Vista, Vista x64, XP, XP x64, or 2000 clients.
- When using the shared Windows Vista, Vista x64, 2000, Server 2008, Server 2008 x64, Server 2003, or Server 2003 x64 Standard TCP/IP connection with Windows Vista, Vista x64, XP, XP x64, or 2000.
- When using the shared Windows Vista, Vista x64, 2000, Server 2008, Server 2008 x64, Server 2003, or Server 2003 x64 EpsonNet Print TCP/IP connection with Windows Vista, Vista x64, XP, XP x64, or 2000 clients.

Client only Environments:

- When using the LPR connection (in Windows Vista, Vista x64, XP, XP x64, or 2000).
- When using the Standard TCP/IP connection (in Windows Vista, Vista x64, XP, XP x64, or 2000).
- When using the EpsonNet Print TCP/IP connection (in Windows Vista, Vista x64, XP, XP x64, or 2000).

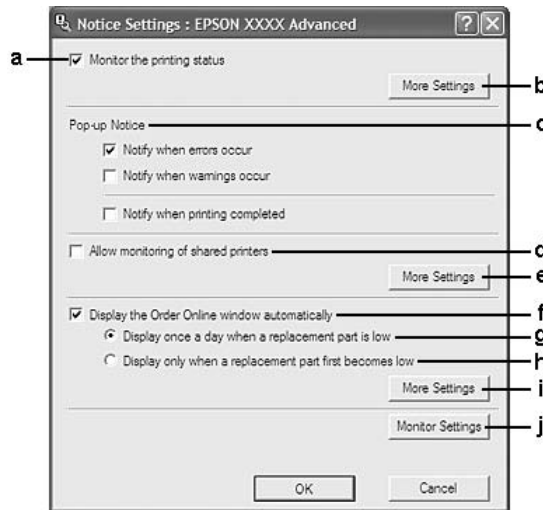
Note:

You cannot use this function in the following situations:

- When using an optional Ethernet interface card that does not support the job management function.*
- When the NetWare connections do not support the job management function.*
- When the printing jobs from NetWare and NetBEUI are displayed as “Unknown” on the Job Management menu.*

- ❑ Note that if the user account used to log on to a client is different from the user account used to connect to the server, the job management function is not available.

Notice Settings



a.	Monitor the printing status check box:	When this check box is selected, EPSON Status Monitor monitors the printer status during a print job is processed.
b.	More Settings button:	Opens the More Settings dialog box to set how to display the tray icon.
c.	Pop-up Notice:	Sets the notification to be displayed.
d.	Allow monitoring of shared printers check box:	When this check box is selected, a shared printer can be monitored by other computers. If you connect the printer via a server with Windows Point & Print and the server and the client are both Windows XP or later, it communicates with the OS communication function. Therefore you can monitor the printer without selecting this check box.
e.	More Settings button:	Opens the More Settings dialog box to set how to communicate with the shared printer.
f.	Display the Order Online window automatically check box:	When this check box is selected, the Order Online window appears automatically when a consumable becomes low or reaches end of service life.
g.	Display once a day when a replacement part is low check box:	When this radio button is selected, the Order Online window appears automatically once a day when you start printing or display the status by accessing EPSON Status Monitor.

h.	Display only when a replacement part first becomes low check box:	When this radio box is selected, the Order Online window appears automatically only when a replacement part first becomes low.
i.	More Settings button:	Opens the More Settings dialog box in which you can set the URL for placing an order appears.
j.	Monitor Settings button:	Opens the Monitor Settings dialog box to set the monitoring interval.

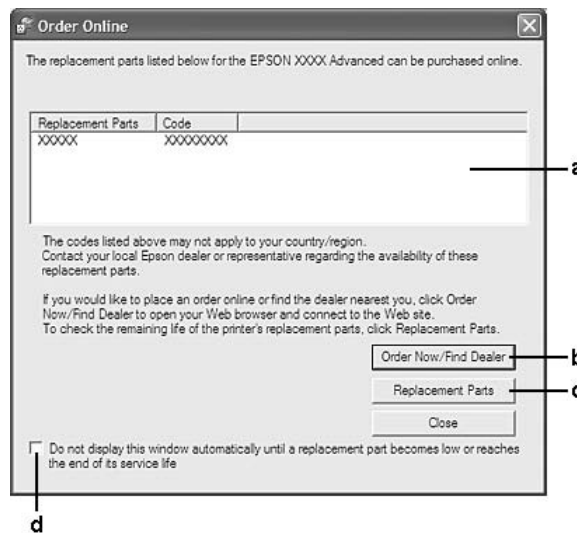
Note for Windows Vista users:

When **Allow monitoring of the shared printers** check box is selected, the User Account Control dialog box will appear. Then click **Continue** to make the settings.

Note:

When sharing the printer, be sure to set EPSON Status Monitor so that the shared printer can be monitored on the print server.

Order Online



a.	Text box:	Displays the consumables and codes.
b.	Order Now/Find Dealer button:	<p>Connects to the URL where you can place an order and find the dealer nearest you.</p> <p>If you do not want a confirmation message, select the Do not display the confirmation message before connecting check box in the More Settings dialog box. The More Setting dialog box appears by clicking the More Settings button in the Notice Settings dialog box.</p>

c.	Replacement Parts button:	Displays the replacement parts information.
d.	Do not display this window automatically until a replacement part becomes low or reaches the end of its service life check box:	When this check box is selected, the Order Online window appears automatically only when a replacement part first becomes low or reaches end of service life.


Note for Windows users:

If you do not register the URL when you install EPSON Status Monitor, you cannot order online. If necessary, uninstall EPSON Status Monitor once, then register the URL when you reinstall it.

Uninstalling the Printer Software

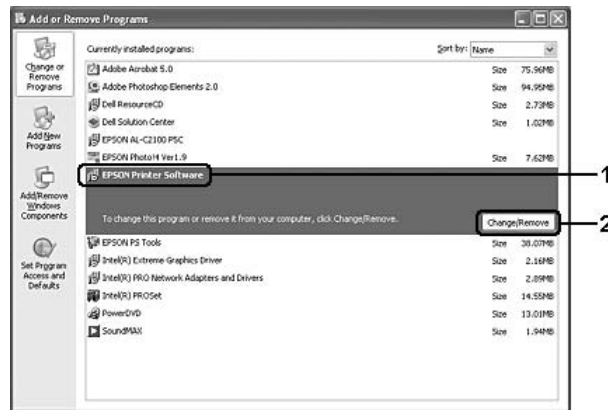
Note:

The illustrations in this section show Windows XP screens. They may be different from the screens for your operating system.

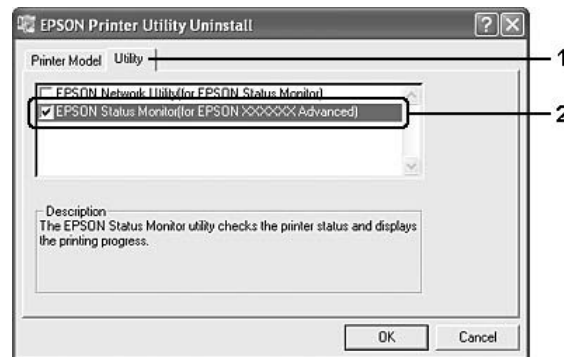
1. Quit all applications.
2. For Windows Vista or Server 2008, click  **Start**, then click **Control Panel**.
For Windows XP, XP x64, Server 2003, or Server 2003 x64, click **Start**, click **Control Panel**, then click **Add or Remove Programs**.
For Windows 2000, click **Start**, point to **Settings**, then click **Control Panel**.
3. For Windows Vista or Server 2008, double-click the **Programs and Features** icon.
For Windows XP, XP x64, Server 2003, or Server 2003 x64, click the **Change or Remove Programs** icon.
For Windows 2000, double-click the **Add/Remove Programs** icon.

- For Windows Vista or Server 2008, select **EPSON Printer Software**, then click **Uninstall/Change**.

For Windows XP, XP x64, 2000, Server 2003, or Server 2003 x64, select **EPSON Printer Software**, then click **Change/Remove**.



- Click the **Printer Model** tab, select your printer's icon.
- If you wish to uninstall only a utility, click the **Utilities** tab, and select the check box for the printer software you want to uninstall.



- Click **OK**.

Note:

You can uninstall EPSON Network Utility. When the utility is uninstalled, you cannot display the printer status from EPSON Status Monitor of other printers.

- Follow the on-screen instructions.

Chapter 9

About the PostScript Printer Driver

System Requirements

Printer hardware requirements

	Recommended
Memory	Standard + 256 MB (for duplex printing of image data at Fine)

Note:

Add more memory modules into your printer if the amount of memory currently installed does not meet your printing needs.

Computer system requirements

Windows

	Recommended
OS	Windows Vista, Vista x64, XP, XP x64 or 2000
Remarks	No restrictions for these systems

Mac OS X

	Recommended
OS Version	Mac OS X 10.3.9 or later
Computer	Power Mac G3, G4, G5, iMac, eMac, PowerBook G3, G4, or iBook

Note:

To use binary data, Epson recommends that you use AppleTalk for the printer's network connection. If you use a protocol other than AppleTalk for the network connection, you need to set Binary to On in the PS3 Menu on the control panel. If you use the printer with a local connection, you cannot use binary data.

Using the PostScript Printer Driver with Windows

To print in the PostScript mode, you will have to install the printer driver. See the appropriate sections below for installation instructions according to the interface that you are using to print.

Installing the PostScript printer driver for the parallel interface

**Caution:**

Never use EPSON Status Monitor and PostScript 3 driver at the same time when the printer is connected via a parallel port. It may damage the system.

Note:

- Installing the printer software for Windows Vista, Vista x64, XP, XP x64, or 2000 may require administrator privileges. If you have problems, ask your administrator for more information.*
 - Turn off all virus protection programs before installing the printer software.*
1. Make sure that the printer is turned off. Insert the printer software CD-ROM into your CD-ROM drive.
 2. For Windows 2000, click **Start**, point to **Settings**, and click **Printers**. Then double-click the **Add Printer** icon.
For Windows Vista, Vista x64, XP, click **Start**, point to **Printer and Faxes**, and click **Add a printer** in the Printer Tasks menu.
 3. The Add Printer Wizard appears. Then click **Next**.
 4. Select **Local printer**, then click **Next**.

Note:

*Do not select the **Automatically detect and install my Plug and Play printer** check box.*

5. Select **LPT1** as the port the printer is connected to, then click **Next**.
6. Click **Have Disk** and specify the following path for the CD-ROM. If your CD-ROM drive is D:, the path will be D:\ADOBEPS\ENGLISH\PS_SETUP
Then click **OK**.

Note:

Change the drive letter as needed for your system.

7. Select the printer, then click **Next**.
8. Follow the on-screen instructions for the rest of the installation.
9. When installation is done, click **Finish**.

Installing the PostScript printer driver for the USB interface



Caution:

Never use EPSON Status Monitor and PostScript 3 driver at the same time when the printer is connected via a USB port. It may damage the system.

Note:

- Installing the printer software for Windows Vista, Vista x64, XP, XP x64, or 2000 may require administrator privileges. If you have problems, ask your administrator for more information.
 - Turn off all virus protection programs before installing the printer software.
1. Make sure that the printer is turned off. Insert the printer software CD-ROM into your CD-ROM drive.
 2. Connect your computer to the printer with a USB cable, then turn on the printer.

Note for Windows Vista users:

Without the Windows driver or the Adobe PS driver, the display shows “Found New Hardware.” In this case, click **Ask me again later**.

3. For Windows Vista, Vista x64, XP or XP x64, click **Start**, point to **Printer and Faxes**, and click **Add a printer** in the Printer Tasks menu.
For Windows 2000, click **Start**, point to **Settings**, and click **Printers**. Then double-click the **Add Printer** icon.
4. The Add Printer Wizard appears. Then click **Next**.
5. Select **Local printer**, then click **Next**.

Note:

Do not select the **Automatically detect and install my Plug and Play printer** check box.

6. Select **USB** as the port the printer is connected to, then click **Next**.

7. Click **Have Disk** and specify the following path for the CD-ROM. If your CD-ROM drive is D:, the path will be D:\ADOBEPS\ENGLISH\PS_SETUP. Then click **OK**.

Note:

Change the drive letter as needed for your system.

8. Select the printer, then click **Next**.
9. Follow the on-screen instructions for the rest of the installation.
10. When installation is done, click **Finish**.

Installing the PostScript printer driver for the network interface

Note:

- Set the network settings before installing the printer driver. Refer to the Network Guide that comes with your printer for details.*
 - Turn off all virus protection programs before installing the printer software.*
1. Make sure that the printer is turned on. Insert the printer software CD-ROM into your CD-ROM drive.
 2. For Windows Vista, Vista x64, XP, or XP x64, click **Start**, point to **Printer and Faxes**, and click **Add a printer** in the Printer Tasks menu.
For Windows 2000, click **Start**, point to **Settings**, and click **Printers**. Then double-click the **Add Printer** icon.
 3. The Add Printer Wizard appears. Then click **Next**.
 4. Select **Local printer**, then click **Next**.

Note:

*Do not select the **Automatically detect and install my Plug and Play printer** check box.*

5. Select the **Create a new port check box and select Standard TCP/IP Port** from the drop-down list. Click **Next**.
6. Click **Next**.
7. Specify the IP address and port name, then click **Next**.

8. Click **Finish**.
9. Click **Have Disk** in the Add Printer Wizard and specify the following path for the CD-ROM. If your CD-ROM drive is D:, the path will be D:\ADOBEPS\ENGLISH\PS_SETUP. Then click **OK**.

Note:

Change the drive letter as needed for your system.

10. Select the printer and click **Next**.
11. Follow the on-screen instructions for the rest of the installation.
12. When installation is done, click **Finish**.

Accessing the PostScript printer driver

You can change the PostScript printer driver settings in the PostScript printer driver. To access the printer driver, see “Accessing the printer driver” on page 204.

Using AppleTalk under Windows 2000

Use the following settings if your machine is running Windows 2000, and the printer is connected through an network interface using the AppleTalk protocol:

- Select **PS3** as the Network setting in the control panel's **Emulation Menu**.
- On the Device Settings sheet of the printer's Properties dialog box, make sure that **SEND CTRL-D Before Each Job** and **SEND CTRL-D After Each Job** are set to **No**.
- TBCP (Tagged binary communications protocol) cannot be used as the Output Protocol setting.

Using the PostScript Printer Driver with Macintosh

Installing the PostScript printer driver

Note:

Make sure that no applications are running on your Macintosh before installing the printer driver.

For Mac OS X users

Note:

Make sure that **Print & Fax** (for Mac OS X 10.5) or **Printer Setup Utility** (for Mac OS X 10.4 or below) is not open.

1. Insert the printer software CD-ROM into your CD-ROM drive.
2. Double-click the CD-ROM icon.
3. Double-click **Mac OS X**, then double-click **PS Installer**.
4. The Install EPSON PostScript Software screen appears, click **Continue**, then follow the on-screen instructions.
5. Easy Install is displayed on the screen. Click **Install**.

Note:

For Mac OS X 10.4 or below, if the Authenticate window appears, enter the user name and password for an administrator.

6. When installation is done, click **Close**.

Selecting the printer

After installing the PostScript 3 printer driver, you need to select the printer.

In a network environment

For Mac OS X users

Note:

- Although **EPSON FireWire** appears in the interface pop-up list, you cannot use Fire Wire for printer connection in the PostScript 3 mode.
- You need to make the settings for your installed options manually when the printer is connected using USB, IP printing, or Bonjour (Rendezvous). When the printer is connected using AppleTalk, the printer software automatically makes the settings.
- Make sure to specify ASCII as the data format in the application.

1. For Mac OS X 10.5 users, open the System Preferences, and then double-click the Print & Fax icon.
For Mac OS X 10.4 or below users, open the **Applications** folder, open the **Utilities** folder, and then double-click **Printer Setup Utility**.
The Printer List window appears.
2. Click **Add** in the Printer List window.
3. Select the protocol or the interface that you are using from the pop-up list.

Note for AppleTalk users:

Make sure to select **AppleTalk**. Do not select **EPSON AppleTalk**, because it cannot be used with the PostScript 3 printer driver.

Note for IP Printing users:

- Make sure to select **IP Printing**. Do not select **EPSON TCP/IP**, because it cannot be used with the PostScript 3 printer driver.
- After selecting **IP Printing**, enter the IP address for the printer, then make sure to select the **Use default queue on server** check box.

Note for USB users:

Make sure to select **USB**. Do not select **EPSON USB**, because it cannot be used with the PostScript 3 printer driver.

4. Follow the instructions as appropriate below to select your printer.

AppleTalk

Select your printer from the Name List, then select **Auto Select** from the Printer Model List.

IP Printing

Select **Epson** from the Name List, then select your printer from the Printer Model List.

USB

Select your printer from the Name List, then select your printer from the Printer Model List.

Note for Mac OS X 10.4 or below users:

If ESC/Page driver is not installed, your printer model is automatically selected in the Printer Model List when you select your printer from the Name List while the printer is on.

Bonjour (Rendezvous)

Select your printer, the printer name is followed by **(PostScript)**, from the Name List. Your printer model is automatically selected in the Printer Model List.

Note for Bonjour (Rendezvous) users:

If your printer model is not automatically selected in the Printer Model list, you need to reinstall the PostScript printer driver. See “Installing the PostScript printer driver” on page 221.

5. Click **Add**.

Note for IP Printing users, USB or Bonjour (Rendezvous) users:

*Select your printer from the Printer list, then select **Show Info** from the Printers menu. The Printer Info dialog box appears. Select **Installable Options** from the pop-up list, then make the necessary settings.*

6. Confirm that your printer's name is added to the Printer List. Then quit **Print & Fax** (for Mac OS X 10.5) or **Printer Setup Utility** (for Mac OS X 10.4 or below).

Accessing the PostScript printer driver

You can change the PostScript printer driver settings in the PostScript printer driver. To access the printer driver, see “Accessing the printer driver” on page 204.

Changing the printer setup settings

You can change or update the printer setup settings according to the options installed in your printer.

For Mac OS X users

1. Access the printer driver. The Printer List window appears.
2. Select the printer from the list.
3. Select **Show Info** from the Printers menu. The Printer Info dialog box appears.
4. Make necessary changes to the settings, then close the dialog box.
5. Quit **Print & Fax** (for Mac OS X 10.5) or **Printer Setup Utility** (for Mac OS X 10.4 or below).

Chapter 10

About the PCL Printer Driver

About the PCL Mode

Hardware requirements

Your printer must meet the following hardware requirements to be able to use the PCL6/PCL5 printer driver.

Memory requirements for using the PCL6/PCL5 printer driver are shown below. Install optional memory modules into your printer if the amount of memory currently installed does not meet your printing needs.

Minimum memory	128 MB*
-----------------------	---------

* Printing may not be possible with this amount of memory, depending on the specifics of the job being printed.

System requirements (only for Epson PCL6 printer driver)

To use the PCL6 printer driver, your computer must be running the following Microsoft Windows versions and your computer must meet the system requirement of the each operating system.

Supported operating systems	Windows Vista/Vista x64 Windows XP/XP x64 Windows Server 2008 x84/Server 2008 x64 Windows Server 2003/Server 2003 x64 Windows 2000 Windows NT 4.0 Windows Me Windows 98 Windows 95
------------------------------------	--

Using the PCL6 Printer Driver (Only for Epson PCL6 Printer Driver)

To print in the PCL mode, you will have to install the printer driver. Consult the customer support in your region regarding how to get the printer driver.

Note:

The PCL6 printer driver and EPSON Status Monitor cannot be used at the same time.

Installing the PCL6 printer driver

Note:

- Installing the printer software for Windows Vista, XP, 2000, Server 2008, or Server 2003 may require administrator privileges. If you have problems, ask your administrator for more information.*
 - Turn off all virus protection programs before installing the printer software.*
 - The examples in this section are from the Windows XP operating system. They may vary in appearance from what actually appears on your screen; however, the instructions are the same.*
 - When uninstalling the printer driver, select **EPSON Monochrome Laser P6** in the uninstallation program. If you select **EPSON Printer Software**, the uninstallation may not be completed successfully.*
1. Make sure that the printer is turned off.
 2. Double-click **SETUP.EXE**. The End User License Agreement dialog box appears.
 3. Read the license agreement. If you agree with the terms, select the **I accept the terms of the above License Agreement** check box. Then click **Next**.
 4. Select the name of your printer, then click **Next**.

5. Select the OS that you are using and the Yes or No check box depending on whether you want to share your printer on the network or not. Then click **Next**.

Note:

- When using setup.exe to do the installation, you can select a platform, different from the current Windows OS, in Available Platforms. This is so that when you perform an installation using Point & Print, you can upload printer drivers for other platforms.*
 - If you are installing a printer driver for the PC that you are currently using, select the Windows OS that is the platform of your PC. If you select a different Windows OS, the printer driver will not be installed correctly.*
6. Confirm the printer port you want to use is selected and your printer name is shown. If not, select the port you want to use from the drop-down list and type your printer's name in the Printer Name box. Select the Yes or No check box depending on whether you want to set this printer as the default printer. Then click **Next**.
 7. You can start the installation now. Click **Finish** to continue.
 8. Installation is complete. Click **Exit to Windows**.

After the installation is done, click **Printer Properties** to make the appropriate settings.

Note:

*If you want to change the settings, you can access the PCL6 printer driver by clicking **Document Default**.*

Accessing the PCL6 printer driver

You can change the PCL6 printer settings in the PCL6 printer driver. To access the printer driver, see "Accessing the printer driver" on page 204.

Updating the printer driver

When you install optional products, you have to update the printer driver manually. See the following instructions.

1. Click the **Printer** tab of the Properties dialog box.
2. Select the option that you installed.

Appendix A

Technical Specifications

Paper

Since the quality of any particular brand or type of paper may be changed by the manufacturer at any time, Epson cannot guarantee the quality of any type of paper. Always test samples of paper stock before purchasing large quantities or printing large jobs.

Available paper types

Paper type	Description
Plain paper	Weight: 60 to 90 g/m ² (Recycled paper is acceptable. *)
Envelopes	No paste and no tape. No plastic window. (unless specifically designed for laser printers.)
Labels	The backing sheet should be covered completely, with no gaps between labels.
Transparencies	Transparencies for laser printers or copiers.
Thick paper	Weight: 90 to 157 g/m ²
Extra thick paper	Weight: 157 to 216 g/m ²
Colored paper	Non coated
Paper with letterhead	Paper and ink of letterheads must be compatible with laser printers.

* Use recycled paper only under normal temperature and humidity conditions. Poor quality paper may reduce print quality, or cause paper jams and other problems.

Paper that should not be used

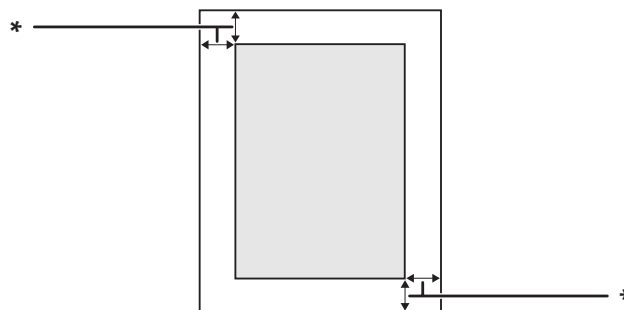
You cannot use the following paper in this printer. It may cause printer damage, paper jams, and poor print quality:

- Media meant for other black-and-white laser printers, color laser printers, color copiers, black-and-white copiers, or ink jet printers

- Previously printed paper by any other black-and-white laser printers, color laser printers, color copiers, black-and-white copiers, ink jet printers, or thermal transfer printers
- Carbon paper, carbonless paper, thermal-sensitive paper, pressure-sensitive paper, acid paper, or paper that uses high-temperature-sensitive ink (around 200 °C)
- Labels that peel easily or labels that do not cover the backing sheet completely
- Special surface-coated paper or special surface-colored paper
- Paper that has binder holes or is perforated
- Paper that has glue, staples, paper clips, or tape on it
- Paper that attracts static electricity
- Moist or damp paper
- Paper of uneven thickness
- Overly thick or thin paper
- Paper that is too smooth or too rough
- Paper that is different on the front and back
- Paper that is folded, curled, wavy, or torn
- Paper of irregular shape, or paper that does not have right angle corners

Printable area

The assured printable area is an area 4 mm from all sides.



* 4 mm

Note:

- ❑ *The printable area may be smaller depending on the application.*
- ❑ *When printing on envelopes, the assured printable area is an area 10 mm from all sides.*

Printer**General**

Printing method:	Laser beam scanning and dry electrophotographic process	
Resolution:	300 × 300 dpi, 600 × 600 dpi, 1200 × 1200 dpi	
Continuous printing speed*:	Up to 44 pages per minute on A4 size paper	
Paper feed:	Automatic or manual feed	
Paper feed alignment:	Center alignment for all sizes	
Input paper supply:		
MP tray:	plain paper	Up to a 17.5 mm thick stack, or up to 150 sheets (60 to 90 g/m ²)
	envelopes	Up to 10 pieces
	transparencies	Up to 75 sheets
	labels	Up to 75 sheets
	thick paper	Up to a 17.5 mm thick stack
	extra thick paper	Up to a 17.5 mm thick stack
Standard lower paper cassette:	plain paper	Up to a 59.4 mm thick stack, or up to 500 sheets (60 to 90 g/m ²)
Optional paper cassette unit:	plain paper	Up to a 59.4 mm thick stack, or up to 500 sheets (60 to 90 g/m ²)
Paper output:	Face-down tray	For all paper types and sizes
	Stacker	For plain paper, and thick paper For A4, A5, B5, LT, HLT, GLT, EXE size paper See "A4 Stacker" on page 236 for details.

Paper output capacity:	Face-down tray	Up to 500 sheets of plain paper (80 g/m ²)
	Stacker	Up to 500 sheets of plain paper (80 g/m ²)
Printer language:	ECP/Page	
	ESC/P 2 24-pin printer emulation (ESC/P 2 mode)	
	ESC/P 9-pin printer emulation (FX mode)	
	IBM Proprinter emulation (I239X mode)	
	Adobe PostScript3 (PS3 mode)	
	PCL6/PCL5 emulation (PCL mode)	
Resident fonts:	84 scalable fonts, and 7 bitmap fonts for ESC/Page 95 scalable fonts, and 5 bitmap for PCL5 80 scalable fonts, and 1 bitmap for PCL6 17 scalable fonts for PostScript3	
RAM:	128 MB, expandable up to 576 MB	

* Printing speed varies by paper type or other conditions.

Environmental

Temperature:	In use:	10 to 35°C (50 to 95°F)
	Not in use:	0 to 35°C (32 to 95°F)
Humidity:	In use:	15 to 85% RH
	Not in use:	10 to 85% RH
Altitude:	2,000 meters (6,562 feet) maximum	

Mechanical

Dimensions	Height:	390 mm (15.4 in.)
	Width:	518 mm (20.4 in.)
	Depth:	429 mm (16.9 in.)
Weight	Approx. 22.5 kg (about 49.6 lb) (Excluding consumables and options)	

Electrical

			120 V	220-240 V
Rated voltage			110 V-120 V	220 V-240 V
Rated frequency			50 Hz / 60 Hz	50 Hz / 60 Hz
Rated current			12.5 A	6.0 A
Power consumption	During printing	Average	712 W	703 W
		MAX	1130 W	1150 W
	During ready mode		86 W	88 W
	During sleep mode*		4 W or below	7 W or below

* Values represent power consumption while all operations are completely suspended. Power consumption varies depending on operating conditions, and whether a type-B interface card is installed or a USB memory is inserted.

Standard and approvals

European model:

Low Voltage Directive 2006/95/EC	EN 60950-1
	EN 60825-1
EMC Directive 2004/108/EC	EN 55022 Class B
	EN 55024
	EN 61000-3-2
	EN 61000-3-3

Interfaces

Parallel Interface

Use the IEEE 1284-I compliant parallel interface connector.

ECP mode/Nibble mode

USB interface

USB 2.0 High Speed mode

Note:

- ❑ Only computers equipped with a USB connector and running Windows Vista, Vista x64, XP, XP x64, 2000, Server 2003, or Server 2003 x64, support the USB interface.
- ❑ Your computer must support USB 2.0 in order to use USB 2.0 as the interface to connect your computer to the printer.
- ❑ Since USB 2.0 is fully compatible with USB 1.1, USB 1.1 can be used as an interface.
- ❑ USB 2.0 can be used with Windows Vista, Vista x64, XP, XP x64, 2000, Server 2003, and Server 2003 x64, operating systems.

Ethernet interface

You can use an IEEE 802.3 100BASE-TX/10 BASE-T straight-through shielded, twisted-pair interface cable with an RJ45 connector.

Options and Consumable Products

Optional paper cassette unit

Product code/Model:	C12C802542 / L571AC1*
Paper size:	A3, A4, A5, B4, B5, Letter (LT), Legal (LGL)
Paper weight:	60 to 90 g/m ² (17 to 24 lb)
Paper feed:	One paper cassette mounted Automatic feed delivery system Cassette capacity up to 500 sheets
Paper types:	Plain paper
Power supply:	DC 24 V / 1.7 A and DC 3.3 V / 0.1 A supplied by the printer
Dimensions and weight:	
Height:	143 mm (5.6 in.)

Width:	505 mm (19.9 in.)
Depth:	373 mm (14.7 in.)
Weight:	6.3 kg (13.9 lb) including cassette

* This product conforms to CE marking requirements in accordance with EC Directive 2004/108/EC.

Duplex Unit

Product code/Model:	C12C802552*
Paper size:	A3, A4, A5, B4, B5, Letter (LT), Half Letter (HLT), Legal (LGL), Government Legal (GLG), Ledger (B), Executive (EXE), F4
Paper weight:	60 to 157 g/m ² (16 to 42 lb)
Paper feed:	Automatic feed delivery system
Paper types:	Plain paper
Power supply:	DC 24 V / 1.6 A and DC 3.3 V / 0.1 A supplied by the printer
Dimensions and weight:	
Height:	233 mm (9.2 in.)
Width:	435 mm (17.1 in.)
Depth:	147 mm (5.8 in.)
Weight:	2.3 kg (5.1 lb)

* This product conforms to CE marking requirements in accordance with EC Directive 2004/108/EC.

Memory modules

Make sure that DIMM you purchase is compatible with EPSON products. For details, contact the store where you purchased this printer or the EPSON sales company.

Memory size:	16, 32, 64, 128, or 256 MB
--------------	----------------------------

CompactFlash memory

Contact the EPSON sales company for detail information.

A4 Stacker

Product code:	C12C802562 / L571AST*
Output capacity:	Up to 500 sheets (When using 80 g/m ² paper)
Paper size:	A4, A5, B5, Letter (LT), Half Letter (HLT), Government Letter (GLT), Executive (EXE)
Paper weight:	60 to 157 g/m ² (16 to 42 lb)
Paper types:	Plain paper, Thick paper
Power supply:	DC 24V - 0.4A supplied by the printer
Power consumption:	24 V / 1.5 A and 3.3 V / 0.2 A supplied by the printer
Dimensions and weight:	
Height:	212 mm (8.3 in.)
Width:	501 mm (19.7 in.)
Depth:	312 mm (12.3 in.)
Weight:	3.0 kg (6.6 lb)

* This product conforms to CE marking requirements in accordance with EMC Directive 2004/108/EC.

Imaging Cartridge/Return Imaging Cartridge

Product code/Model:	Imaging Cartridge	Return Imaging Cartridge* ²
	1188/1188* ¹	1189/1189* ¹
Storage temperature:	0 to 35°C (32 to 95°F)	
Storage humidity:	15 to 85% RH	

*¹ This product conforms to CE marking requirements in accordance with EMC Directive 2004/108/EC.

*² Return imaging cartridges are not sold in some areas. Contact your local Epson dealer/representative about the availability of the Return imaging cartridge scheme.

Appendix B

Where To Get Help

Contacting Customer Support

Before Contacting Epson

If your Epson product is not operating properly and you cannot solve the problem using the troubleshooting information in your product documentation, contact customer support services for assistance. If customer support for your area is not listed below, contact the dealer where you purchased your product.

Customer support will be able to help you much more quickly if you give them the following information:

- Product serial number
(The serial number label is usually on the back of the product.)
- Product model
- Product software version
(Click **About**, **Version Info**, or similar button in the product software.)
- Brand and model of your computer
- Your computer operating system name and version
- Names and versions of the software applications you normally use with your product

Help for Users in Europe

Check your **Pan-European Warranty Document** for information on how to contact Epson Customer support.

Help for Users in Australia

Epson Australia wishes to provide you with a high level of customer service. In addition to your product documentation, we provide the following sources for obtaining information:

Your Dealer

Don't forget that your dealer can often help identify and resolve problems. The dealer should always be the first call for advice on problems; they can often solve problems quickly and easily as well as give advice on the next step to take.

Internet URL <http://www.epson.com.au>

Access the Epson Australia World Wide Web pages. Worth taking your modem here for the occasional surf! The site provides a download area for drivers, Epson contact points, new product information and technical support (e-mail).

Epson Helpdesk

Epson Helpdesk is provided as a final backup to make sure our clients have access to advice. Operators on the Helpdesk can aid you in installing, configuring and operating your Epson product. Our Pre-sales Helpdesk staff can provide literature on new Epson products and advise where the nearest dealer or service agent is located. Many types of queries are answered here.

The Helpdesk numbers are:

Phone: 1300 361 054

Fax: (02) 8899 3789

We encourage you to have all the relevant information on hand when you ring. The more information you prepare, the faster we can help solve the problem. This information includes your Epson product documentation, type of computer, operating system, application programs, and any information you feel is required.

Help for Users in Singapore

Sources of information, support, and services available from Epson Singapore are:

World Wide Web (<http://www.epson.com.sg>)

Information on product specifications, drivers for download, Frequently Asked Questions (FAQ), Sales Enquiries, and Technical Support via e-mail are available.

Epson HelpDesk (Phone: (65) 6586 3111)

Our HelpDesk team can help you with the following over the phone:

- Sales enquiries and product information
- Product usage questions or problems
- Enquiries on repair service and warranty

Help for Users in Thailand

Contacts for information, support, and services are:

World Wide Web (<http://www.epson.co.th>)

Information on product specifications, drivers for download, Frequently Asked Questions (FAQ), and e-mail are available.

Epson Hotline (Phone: (66)2685-9899)

Our Hotline team can help you with the following over the phone:

- Sales enquiries and product information
- Product usage questions or problems
- Enquiries on repair service and warranty

Help for Users in Vietnam

Contacts for information, support, and services are:

Epson Hotline (Phone): 84-8-823-9239

Service Center: 80 Truong Dinh Street, District 1, Hochiminh City Vietnam

Help for Users in Indonesia

Contacts for information, support, and services are:

World Wide Web (<http://www.epson.co.id>)

- Information on product specifications, drivers for download
- Frequently Asked Questions (FAQ), Sales Enquiries, questions through e-mail

Epson Hotline

- Sales enquiries and product information
- Technical support

Phone (62) 21-572 4350

Fax (62) 21-572 4357

Epson Service Center

Jakarta Mangga Dua Mall 3rd floor No 3A/B
Jl. Arteri Mangga Dua,
Jakarta
Phone/Fax: (62) 21-62301104

Bandung Lippo Center 8th floor
Jl. Gatot Subroto No.2
Bandung
Phone/Fax: (62) 22-7303766

Surabaya Hitech Mall lt IIB No. 12
Jl. Kusuma Bangsa 116 – 118
Surabaya
Phone: (62) 31-5355035
Fax: (62)31-5477837

Yogyakarta Hotel Natour Garuda
Jl. Malioboro No. 60
Yogyakarta
Phone: (62) 274-565478

Medan Wisma HSBC 4th floor
Jl. Diponegoro No. 11
Medan
Phone/Fax: (62) 61-4516173

Makassar MTC Karebosi Lt. Ill Kav. P7-8
Jl. Ahmad Yani No.49
Makassar
Phone: (62)411-350147/411-350148

Help for Users in Hong Kong

To obtain technical support as well as other after-sales services, users are welcome to contact Epson Hong Kong Limited.

Internet Home Page

Epson Hong Kong has established a local home page in both Chinese and English on the Internet to provide users with the following information:

- Product information
- Answers to Frequently Asked Questions (FAQs)
- Latest versions of Epson product drivers

Users can access our World Wide Web home page at:

<http://www.epson.com.hk>

Technical Support Hotline

You can also contact our technical staff at the following telephone and fax numbers:

Phone: (852) 2827-8911

Fax: (852) 2827-4383

Help for Users in Malaysia

Contacts for information, support, and services are:

World Wide Web (<http://www.epson.com.my>)

- Information on product specifications, drivers for download

- ❑ Frequently Asked Questions (FAQ), Sales Enquiries, questions through e-mail

Epson Trading (M) Sdn. Bhd.

Head Office.

Phone: 603-56288288

Fax: 603-56288388/399

Epson Helpdesk

- ❑ Sales enquiries and product information (Infoline)

Phone: 603-56288222

- ❑ Enquiries on repair services & warranty, product usage and technical support (Techline)

Phone: 603-56288333

Help for Users in India

Contacts for information, support, and services are:

World Wide Web (<http://www.epson.co.in>)

Information on product specifications, drivers for download, and products enquiry are available.

Epson India Head Office - Bangalore

Phone: 080-30515000

Fax: 30515005

Epson India Regional Offices:

Location	Telephone number	Fax number
Mumbai	022-28261515 /16/17	022-28257287

Location	Telephone number	Fax number
Delhi	011-30615000	011-30615005
Chennai	044-30277500	044-30277575
Kolkata	033-22831589 / 90	033-22831591
Hyderabad	040-66331738/ 39	040-66328633
Cochin	0484-2357950	0484-2357950
Coimbatore	0422-2380002	NA
Pune	020-30286000 /30286001/30286002	020-30286000
Ahmedabad	079-26407176 / 77	079-26407347

Helpline

For Service, Product info or to order a cartridge - 18004250011 (9AM - 9PM) - This is a Toll-free number.

For Service (CDMA & Mobile Users) - 3900 1600 (9AM - 6PM) Prefix local STD code

Help for Users in the Philippines

To obtain technical support as well as other after sales services, users are welcome to contact the Epson Philippines Corporation at the telephone and fax numbers and e-mail address below:

Trunk Line:	(63-2) 706 2609
Fax:	(63-2) 706 2665
Helpdesk Direct Line:	(63-2) 706 2625
E-mail:	epchelpdesk@epc.epson.com.ph

World Wide Web (<http://www.epson.com.ph>)

Information on product specifications, drivers for download, Frequently Asked Questions (FAQ), and E-mail Enquiries are available.

Toll-Free No. 1800-1069-EPSON(37766)

Our Hotline team can help you with the following over the phone:

- Sales enquiries and product information
- Product usage questions or problems
- Enquiries on repair service and warranty

Index

- A**
- Anti-copy (copy protection) function
 - how to use (Windows).....60
 - AUX menu.....81
 - Available paper.....229
- B**
- Bookmark menu.....91
- C**
- Canceling printing.....106, 198
 - Clock menu.....77
 - CompactFlash memory
 - how to install.....140
 - how to remove.....145
 - specifications.....236
 - Confidential Job menu.....77, 105
 - Consumable products
 - Replacing.....147
 - Consumables
 - specification (imaging cartridge).....236
 - Contacting Epson.....237
 - Control panel.....106
 - overview.....25
 - Control panel menus
 - about.....64
 - AUX.....81
 - bookmark.....91
 - clock.....77
 - confidential job.....77, 105
 - emulation.....69
 - ESCP2.....84
 - FX.....86
 - how to access.....64
 - I239X.....88
 - information.....66
 - network.....80
 - panel settings.....64
 - parallel.....78
 - password config.....90
 - PCL.....81
 - printing.....70
 - PS3.....82
 - quick print job.....77, 104
 - reserve job data.....104
 - reset.....76
 - setup.....72
 - system information.....68
 - tray.....69
 - USB.....79
- D**
- Duplex printing.....48
 - Duplex Unit
 - how to install.....118
 - how to remove.....120
 - specifications.....235
- E**
- Emulation menu.....69
 - EPSON Status Monitor
 - Accessing EPSON Status Monitor (Windows).....208
 - Installing EPSON Status Monitor (Windows).....206
 - Job Information (Windows).....211
 - Notice Settings (Windows).....213
 - Order Online.....214
 - Replacement Parts Information (Windows).....210
 - Status (Windows).....209
 - ESCP2 menu.....84
 - Ethernet.....234
- F**
- FX menu.....86
- G**
- Guides

Font Guide.....	28
Network Guide.....	28
Online Help.....	28
Setup Guide.....	27
User's Guide.....	27

H

Headers and footers.....	54
Help	
Epson.....	237
Hidden Watermark (copy protection) function.....	60
How to register menus as bookmarks.....	65

I

I239X menu.....	88
Imaging cartridge	
Specifications.....	236
Information menu.....	66
Installing options	
installing a CompactFlash memory.....	140
installing a memory module.....	132
installing an interface card.....	138
installing the duplex unit.....	118
installing the optional paper cassette unit.....	108
installing the stacker.....	121
removing a CompactFlash memory.....	145
removing a memory module.....	137
removing an interface card.....	140
removing the duplex unit.....	120
removing the optional paper cassette unit.....	117
removing the stacker.....	127
Installing the postScript printer driver (Macintosh)....	221
Installing the PostScript printer driver for the network interface (Windows).....	220
Installing the PostScript printer driver for the parallel interface (Windows).....	218
Installing the PostScript printer driver for the USB interface (Windows).....	219
Interface cards	
how to install.....	138
how to remove.....	140
Interfaces	
ethernet.....	234

Parallel.....	233
USB.....	234

M

Maintenance	
printer.....	148
Printer (pickup roller).....	149
Memory module	
how to install.....	132
how to remove.....	137
specifications.....	235
MP tray	
Specifications.....	30
Supported paper.....	30

N

Network menu.....	80
-------------------	----

O

Optional paper cassette unit	
how to install.....	108
how to remove.....	117
specifications.....	234
Options	
specifications (CompactFlash).....	236
specifications (duplex unit).....	235
specifications (memory module).....	235
specifications (optional paper cassette unit).....	234
specifications (stacker).....	236
Overlay	
how to create (Windows).....	55
how to print (Windows).....	57
how to use (Windows).....	55

P

Paper	
available paper.....	229
loading the MP tray.....	30
loading the optional paper cassette.....	38
loading the standard lower paper cassette.....	33
printable area.....	230

Special media.....	39	environmental.....	232
unavailable paper.....	229	general.....	231
Paper Jam A (Cover A).....	157	mechanical.....	232
Paper Jam B A (Cover B or A).....	161	optional products.....	26
Paper Jam C1 A, Paper Jam C2 A, Paper Jam C3 A, Paper Jam C4 A (All paper cassettes and Cover A).....	172	parts (front view).....	23
Paper Jam DM (Duplex Unit's cover).....	182	parts (inside).....	25
Paper Jam MP A (MP tray or Cover A).....	168	parts (rear view).....	24
Paper Jam STK (Stacker).....	183	standard and approvals.....	233
Paper jams		transporting.....	17
how to clear.....	156	transporting (long distance).....	153
Paper source		transporting (short distance).....	154
MP tray.....	30	Printer driver	
optional paper cassette.....	38	Accessing the printer driver (Windows).....	204
standard lower paper cassette.....	33	Uninstalling the Printer software (Windows).....	215
Parallel Interface.....	233	Printer driver settings	
Parallel menu.....	78	Creating an overlay (Windows).....	55
Password config menu.....	90	Delete the form overlay data on the storage.....	59
PCL menu.....	81	Duplex printing.....	48
PCL printer driver		Making a new watermark.....	53
about the PCL Mode.....	226	Making Extended settings (Windows).....	205
hardware requirements.....	226	Making Optional settings (Windows).....	205
system requirements.....	226	Output Settings.....	49
PostScript printer driver		print layout.....	50
Accessing the PostScript printer driver (Macintosh)	224	Printing the copy-protected document.....	60
Accessing the PostScript printer driver (Windows)	221	Printing with an overlay.....	57
hardware requirements.....	217	Printing with storage form overlay.....	59
Installing the PostScript printer driver for Mac OS X users.....	222	Register the storage form overlay data on the storage	58
Selecting a printer in a network environment for Mac OS X users.....	222	Re-Print Job.....	62
PostScript printer driver settings		Reserve Job.....	62
Using AppleTalk under Windows 2000.....	221	Using a watermark.....	52
Precautions		Using an overlay.....	55
Replacing consumable products.....	147	Using headers and footers.....	54
Print layout		Using storage form overlay.....	58
Modifying the print layout.....	50	Printer software (Windows)	
Printer		About.....	204
cleaning.....	148	Printing menu.....	70
cleaning (pickup roller).....	149	Problems, solving	
consumable products.....	27	contacting Epson.....	237
electrical.....	233	PS3 menu.....	82
		Q	
		Quick Print Job menu.....	77, 104

R		U	
Relocating the printer.....	17	Unavailable paper.....	229
Replacement Messages.....	147	USB.....	234
Reserve job data.....	104	USB menu.....	79
Reset menu.....	76		
S		W	
Service.....	237	Watermark	
Setup menu.....	72	how to make.....	53
Special media		how to use.....	52
Printing on.....	39		
Stacker.....	121		
Status and error messages.....	92		
Status sheet			
how to print.....	105, 184		
Storage form overlay			
how to delete (Windows).....	59		
how to print (Windows).....	59		
how to register (Windows).....	58		
how to use (Windows).....	58		
System information menu.....	68		
T			
Toner			
Toner Save mode.....	47		
Toner Save mode.....	47		
Transporting the printer (long distance).....	153		
Transporting the printer (short distance).....	154		
Tray menu.....	69		
Troubleshooting.....	92, 105, 156, 184, 198		
memory problems.....	194		
operational problems.....	185		
options.....	195		
paper handling problems.....	194		
PCL6 mode.....	202		
PostScript 3 mode.....	198		
print quality problems.....	189		
printout problems.....	188		
USB problems.....	196		