



Epson AcuLaser C3900 Series

Safety Information Guide

NPD4280-00

Safety Instructions

Warnings, Cautions, and Notes



Warnings

must be followed carefully to avoid bodily injury.



Cautions

must be observed to avoid damage to your equipment.

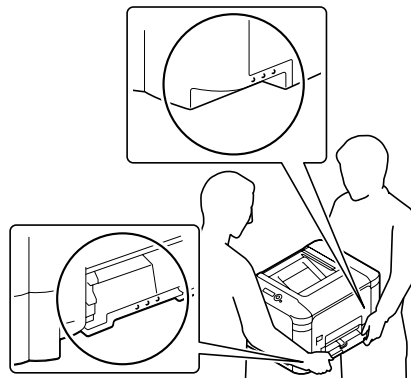
Notes

contain important information and useful tips on the operation of your printer.

Important Safety Instructions

Setting up the printer

- ❑ Because the printer weighs approximately 27 kg (59.5 lb) with consumable products installed, one person should not lift or carry it. Two people should carry the printer, lifting it by the correct positions as shown below.



- ❑ If you are unable to insert the AC plug into the electrical outlet, contact an electrician.

- ❑ Be sure the AC power cord meets the relevant local safety standards. Use only the power cord that comes with this product. Use of the another cord may result in fire or electric shock. This product's power cord is for use with this product only. Use with other equipment may result in fire or electric shock.
- ❑ If damage occurs to the plug, replace the cord set or consult a qualified electrician. If there are fuses in the plug, make sure you replace them with fuses of the correct size and rating.
- ❑ Use a grounded outlet that matches the printer's power plug. Do not use an adapter plug.
- ❑ Avoid using an electrical outlet that is controlled by wall switches or automatic timers. Accidental disruption of power can erase valuable information in your computer's and printer's memory.
- ❑ Make sure that there is no dust on the socket.
- ❑ Be sure to insert the plug completely into the electrical outlet.
- ❑ Do not handle the plug with wet hands.
- ❑ Unplug this printer from the wall outlet and refer servicing to a qualified service representative under the following conditions:
 - A. When the power cord or plug is damaged or frayed.
 - B. If liquid has been spilled into it.
 - C. If it has been exposed to rain or water.
 - D. If it does not operate normally when the operating instructions are followed. Adjust only those controls that are covered by the operating instructions since improper adjustment of other controls may result in damage and will often require extensive work by a qualified technician to restore the product to normal operation.
 - E. If it has been dropped or the cabinet has been damaged.
 - F. If it exhibits a distinct change in performance, indicating a need for service.
- ❑ Avoid sharing outlets with other appliances.
- ❑ Connect all equipment to properly grounded power outlets. Avoid using outlets on the same circuit as photocopiers or air control systems that regularly switch on and off.

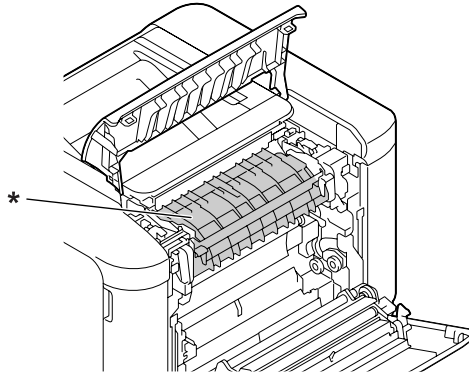
- ❑ Connect your printer to an electrical outlet that meets the power requirements of this printer. Your printer's power requirements are indicated on a label attached to the printer. If you are not sure of the power supply specifications in your area, contact your local power company or consult your dealer.
- ❑ If you use an extension cord, make sure that the total of the ampere ratings on the products plugged into the extension cord does not exceed the extension cord ampere rating.
- ❑ When connecting this product to a computer or other device with a cable, ensure the correct orientation of the connectors. Each connector has only one correct orientation. Inserting a connector in the wrong orientation may damage both devices connected by the cable.
- ❑ When you use optional paper cassette unit, be sure to install the positioning pins correctly. For instructions on how to install the positioning pins, refer to the User's Guide

Finding the place for the printer

- ❑ Place the printer near an electrical outlet where you can easily plug in and unplug the power cord.
- ❑ Do not put your printer where the cord will be stepped on.
- ❑ Do not use printer in a damp environment.
- ❑ Avoid locations that are subject to direct sunlight, excessive heat, moisture, oil vapor, or dust.
- ❑ Do not place the printer on an unstable surface.
- ❑ Slots and openings in the cabinet and the back or bottom are provided for ventilation. Do not block or cover them. Do not put the printer on a bed, sofa, rug, or other similar surface or in a built-in installation unless proper ventilation is provided.
- ❑ Keep the entire computer and printer system away from potential sources of interference, such as loudspeakers or the base units of cordless telephones.
- ❑ Leave adequate room around the printer to allow for sufficient ventilation.

Using the printer

- ❑ Be careful not to touch the fuser, which is marked **CAUTION**, or the surrounding areas. If the printer has been in use, the fuser and the surrounding areas may be very hot. If you must touch one of these areas, wait 40 minutes to allow the heat to subside before doing so.



* **CAUTION**

- ❑ Do not insert your hand deep into the fuser unit as some components are sharp and may cause injury.
- ❑ Never push objects of any kind through cabinet slots as they may touch dangerous voltage points or short out parts that could result in a risk of fire or electric shock.
- ❑ Do not sit or lean on the printer. Do not put heavy objects on the printer.
- ❑ Do not use any kind of combustible gases in or around the printer.
- ❑ Never force the printer's components into place. Although the printer is designed to be sturdy, rough handling can damage it.
- ❑ Do not leave jammed paper inside the printer. This can cause the printer to overheat.
- ❑ Never spill liquid of any kind on the printer.
- ❑ Adjust only those controls that are covered by the operating instructions. Improper adjustment of other controls may result in damage and may require repair by a qualified service representative.
- ❑ Do not turn off the printer:
 - After turning on the printer, wait until Ready appears on the LCD panel.
 - While printing or during other operations, such as writing data to external devices.
- ❑ Avoid touching the components inside the printer unless instructed to do so in this guide.

- ❑ Follow all warnings and instructions marked on the printer.
- ❑ Except as specifically explained in the printer's documentation, do not attempt to service this product yourself.
- ❑ Periodically disconnect the plug from the electrical outlet and clean the blades.
- ❑ Do not disconnect the plug while the printer is on.
- ❑ If the printer will not be used for a long time, disconnect the plug from the electrical outlet.
- ❑ Unplug this printer from the wall outlet before cleaning.
- ❑ Use a well-wrung cloth for cleaning and do not use liquid or aerosol cleaners.
- ❑ When moving the printer, always keep it horizontal.
- ❑ Do not remove jammed paper by force. Torn paper can be difficult to remove and might cause other paper jams. Pull the paper gently and steadily to avoid tearing it, falling down, and injuring yourself.
- ❑ Do not pull the power cable when disconnecting the plug. Always be sure to hold the plug when disconnecting it.
- ❑ Do not let the paper's edge slide across your skin because the edge of the paper may cut you.
- ❑ When transporting the printer, turn it off and unplug the power cable from the electrical outlet. Be sure to disconnect all cables.

Handling the consumables

- ❑ Do not burn used consumables because they might explode and injure someone. Dispose of them according to local regulations.
- ❑ Be sure to keep consumable components out of the reach of children.
- ❑ When handling an imaging cartridge, always place it on a clean, smooth surface.
- ❑ Do not attempt to modify an imaging cartridge or take it apart.
- ❑ Do not touch the toner. Always keep toner away from your eyes. If toner gets on your skin or clothes, wash it off with soap and water immediately.
- ❑ If toner is spilled, use a broom and dustpan or a damp cloth with soap and water to clean it up. Because the fine particles can cause a fire or explosion if they come into contact with a spark, do not use a vacuum cleaner.

- ❑ Wait at least one hour before using an imaging cartridge after moving it from a cool to a warm environment to prevent damage from condensation.
- ❑ To get the best print quality, do not store the imaging cartridge in an area subject to direct sunlight, dust, salty air, or corrosive gases (such as ammonia). Avoid locations subject to extreme or rapid changes in temperature or humidity.
- ❑ When removing the imaging cartridge, do not expose it to sunlight at all and avoid exposing it to room light for more than five minutes. The imaging cartridge contains a light-sensitive drum. Exposure to light can damage the drum, causing dark or light areas to appear on the printed page and reducing the service life of the drum. If you need to keep the imaging cartridge out of the printer for long periods, cover it with an opaque cloth.
- ❑ Be careful not to scratch the surface of the drum. When you remove the imaging cartridge from the printer, always place it on a clean, smooth surface. Avoid touching the drum, since oil from your skin can permanently damage its surface and affect print quality.

Safety Information

Laser safety labels

**Warning:**

The performance of procedures and adjustments other than those specified in the printer's documentation may result in hazardous radiation exposure. Your printer is a Class 1 laser product as defined in the IEC60825 specifications. The label shown is attached to the back of the printer in countries where required.



Internal laser radiation

There is a Class III b Laser Diode Assembly that has an invisible laser beam inside the printer head unit. The printer head unit is NOT A SERVICE ITEM, therefore, the printer head unit should not be opened under any circumstances. An additional laser warning label is affixed to the inside of the printer.



Ozone safety

Ozone emission

Ozone gas is generated by laser printers as a by-product of the printing process. Ozone is produced only when the printer is printing.

Ozone exposure limit

The Epson laser printer generates less than 3 mg/h of continuous printing.

Minimize the risk

To minimize the risk of exposure to ozone, you should avoid the following conditions:

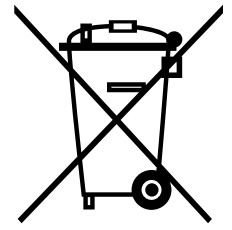
- Use of multiple laser printers in a confined area
- Operation in conditions of extremely low humidity
- Poor room ventilation
- Long, continuous printing together with any of the above

Printer location

The printer should be located so that the exhaust gases and heat generated are:

- Not blown directly into the user's face
- Vented directly out of the building whenever possible

Battery Addendum



English

The crossed out wheeled bin label that can be found on your product indicates that this product and incorporated batteries should not be disposed of via the normal household waste stream. To prevent possible harm to the environment or human health please separate this product and its batteries from other waste streams to ensure that it can be recycled in an environmentally sound manner. For more details on available collection facilities please contact your local government office or the retailer where you purchased this product. Use of the chemical symbols Pb, Cd or Hg indicates if these metals are used in the battery.

Deutsch

Der Aufkleber mit durchgekrenzter Mülltonne an diesem Produkt weist darauf hin, dass dieses Produkt und darin enthaltene Batterien nicht im normalen Hausmüll entsorgt werden dürfen. Zur Vermeidung einer möglichen Beeinträchtigung der Umwelt oder der menschlichen Gesundheit und um zu gewährleisten, dass es in einer umweltverträglichen Weise recycelt wird, darf dieses Produkt mitsamt den Batterien nicht in den Hausmüll gegeben werden. Informationen zu Entsorgungseinrichtungen erhalten Sie bei der zuständigen Behörde oder dem Händler, bei dem Sie dieses Produkt erworben haben. Die Angabe der chemischen Zeichen Pb, Cd oder Hg bedeutet, dass diese Metalle in der Batterie verwendet werden.

Français

L'étiquette apposée sur ce produit et représentant une poubelle barrée indique que le produit et les piles intégrées ne peuvent être mis au rebut avec les déchets domestiques normaux. Afin d'éviter d'éventuels dommages au niveau de l'environnement ou sur la santé, veuillez séparer ce produit et ses piles des autres déchets de manière à garantir qu'ils soient recyclés de manière sûre au niveau environnemental. Pour plus de détails sur les sites de collecte existants, veuillez contacter l'administration locale ou le détaillant auprès duquel vous avez acheté ce produit. Les symboles chimiques Pb, Cd et Hg sont utilisés pour désigner les métaux présents dans les piles.

Italiano

L'etichetta con il contenitore barrato applicata sull'imballo indica che il prodotto e le batterie incluse non devono essere smaltiti tramite la procedura normale di smaltimento dei rifiuti domestici. Per evitare eventuali danni all'ambiente e alla salute umana, separare questo prodotto e le relative batterie da altri rifiuti domestici in modo che possano essere riciclati in base alle procedure di rispetto dell'ambiente. Per maggiori dettagli sulle strutture di raccolta disponibili, contattare l'ufficio competente del proprio comune o il rivenditore del prodotto. L'uso dei simboli chimici Pb, Cd o Hg indica la presenza di tali metalli nelle batterie.

Español

La etiqueta de un contenedor tachado que hallará en su producto indica que este producto y sus pilas no se pueden tirar con la basura doméstica normal. Para impedir posibles daños medioambientales o para la salud, separe este producto y sus pilas de otros canales de desecho para garantizar que se recicle de una forma segura para el medio ambiente. Para más información sobre las instalaciones de recolección disponibles, diríjase a las autoridades locales o al punto de venta donde adquirió este producto. Los símbolos químicos Pb, Cd o Hg indican que las pilas contienen ese metal.

Português

A etiqueta com o símbolo de um contentor de lixo traçado com uma cruz que aparece no produto indica que este produto e as pilhas incluídas não devem ser deitados fora juntamente com o lixo doméstico. Para evitar possíveis danos no ambiente ou na saúde pública, por favor separe este produto e respectivas pilhas de outros lixos; desta forma, terá a certeza de que podem ser reciclados através de métodos não prejudiciais ao ambiente. Para obter mais informações sobre os locais de recolha de lixo disponíveis, contacte a sua junta de freguesia, câmara municipal ou local onde comprou este produto. A utilização dos símbolos químicos Pb, Cd ou Hg indica se estes metais são utilizados na pilha.

Nederlands

Op uw product is een label van een rolcontainer met een kruis erdoor aangebracht. Dit label wil zeggen dat dit product en de batterijen in het product niet bij het normale huishoudelijk afval mogen worden ingezameld. Om eventuele schade aan het milieu of de gezondheid van de mens te voorkomen moeten dit product en de batterijen gescheiden van al het ander afval worden ingezameld, zodat alles op een verantwoorde wijze kan worden verwerkt. Voor meer informatie over uw lokale afvalinzameling wendt u zich tot uw gemeente of de leverancier bij wie u dit product hebt gekocht. Gebruik van de chemische symbolen Pb, Cd of Hg geeft aan of deze metalen worden gebruikt in de batterij.

Dansk

Etiketten med et kryds over skraldespanden på hjul, der sidder på produktet, angiver, at dette produkt og dets batterier ikke må bortskaffes sammen med almindeligt husholdningsaffald. For at beskytte miljø og helbred skal dette produkt og dets batterier bortskaffes separat, så disse dele kan genbruges på en måde, der er god for miljøet. Kontakt de lokale myndigheder eller den forhandler, hos hvem du har købt produktet, vedrørende steder, hvor du kan aflevere produktet. Brugen af de kemiske symboler Pb, Cd eller Hg angiver, om disse metaller er anvendt i batteriet.

Suomi

Laitte on merkitty jäteastia-symbolilla, jonka yli on vedetty rasti. Tämä tarkoittaa, ettei laitetta tai siihen kuuluvia paristoja saa hävittää normaalin talousjätteen mukana. Älä hävitä laitetta tai sen paristoja normaalin jätteen seassa vaan varmista, että laite kierrätetään ympäristöystävällisellä tavalla, jottei ympäristölle tai ihmisille aiheudu vahinkoa. Lisätietoja kierrätyksestä ja keräyspisteistä saa ottamalla yhteyttä paikallisiin viranomaisiin tai jälleenmyyjään, jolta laite ostettiin. Kemiallisten merkien Pb (lyijy), Cd (kadmium) tai Hg (elohopea) käyttö ilmaisee, että paristo sisältää kyseistä metallia.

Svenska

Symbolen med en överkorsad soptunna innebär att denna produkt och tillhörande batterier inte får kastas i vanligt hushållsavfall. För att skydda miljön ska denna produkt och dess batterier inte kastas tillsammans med vanligt hushållsavfall utan lämnas för återvinning på tillbörligt sätt. För mer information om uppsamlingsplatser kontakta din lokala myndighet eller den återförsäljare där du har köpt produkten. De kemiska symbolerna Pb, Cd eller Hg visar om dessa metaller används i batteriet.

Norsk

Etiketten på hjulbeholderen på produktet ditt antyder at produktet og batteriene som hører med, ikke skal avhendes sammen med vanlig husholdningsavfall. Hold produktet og batteriene atskilt fra annet avfall, slik at det kan resirkuleres på en miljømessig og forsvarlig måte og dermed forhindre eventuell skade på miljø eller helse. Kontakt lokale myndigheter, eller din forhandler, for mer informasjon angående avhenting av produktet. De kjemiske symbolene Pb, Cd og Hg antyder om disse metallene har blitt brukt i batteriet.

Česky

Štítek s přeškrtnutým odpadkovým košem na kolečkách, který lze nalézt na výrobku, označuje, že se tento výrobek a přiložené baterie nemají likvidovat s běžným domovním odpadem. V zájmu ochrany životního prostředí a lidského zdraví zlikvidujte tento výrobek a jeho baterie jako tříděný odpad, který se recykluje způsobem šetrným k životnímu prostředí. Podrobnější informace o sběrných dvorech pro tříděný odpad získáte na obecním úřadě nebo u prodejce, u kterého jste tento výrobek zakoupili. Použité chemické značky Pb, Cd nebo Hg označují, zda baterie obsahuje tyto kovy.

Magyar

A terméken található, áthúzott szemetest ábrázoló címke azt jelzi, hogy ezt a terméket és a hozzá tartozó elemeket nem szabad a rendes háztartási szeméttel együtt kidobni. Az esetleges környezeti- vagy egészségkárosodást megelőzendő, kérjük, hogy ezt a terméket és az elemeket a többi szeméttől elkülönítve helyezze el, és biztosítsa, hogy azt környezetbarát módon újrahasznosítsák. A rendelkezésére álló begyűjtő létesítményekről kérjük tájékozódjon a megfelelő helyi állami szerveknél vagy a viszonteladónál, ahol a terméket vásárolta. A Pb, Cd vagy Hg vegyjelek jelzik, ha ilyen fémeket is felhasználtak az elem gyártása során.

Polski

Symbol przekreślonego kosza znajdujący się na produkcie oznacza, że nie można produktu oraz wewnętrzznego akumulatora utylizować razem z normalnymi odpadami z gospodarstwa domowego. Aby zapobiec potencjalnemu zagrożeniu dla środowiska lub zdrowia ludzkiego, produkt oraz wewnętrzny akumulator należy odseparować od reszty odpadów z gospodarstwa domowego i utylizować w ekologicznie właściwy sposób. Szczegółowe informacje na temat punktów zbiórki odpadów można uzyskać w lokalnych urzędach lub u sprzedawcy danego produktu. Symbole chemiczne Pb, Cd lub Hg oznaczają, że metale te zostały zastosowane w akumulatorze.

Slovensky

Štítok s preškrtnutým odpadkovým košom na kolieskach, ktorý je možné nájsť na výrobku, označuje, že tento produkt a obsiahnuté batérie sa nemajú likvidovať s bežným komunálnym odpadom. V záujme ochrany životného prostredia a ľudského zdravia zlikvidujte tento výrobok a batérie ako triedený odpad, ktorý sa recykluje spôsobom šetrným k životnému prostrediu. Podrobnejšie informácie o zberných dvoroch pre triedený odpad získate na obecnom úrade alebo u predajcu, u ktorého ste príslušný výrobok zakúpili. Použitie chemických značiek Pb, Cd alebo Hg znamená, že tieto kovy sú použité v batériách.

Slovenski

Prečrtan koš za smeti na etiketi, katero lahko najdete na vašem izdelku, pomeni, da niti tega izdelka niti njegovih baterij ne smete odvreči podobno kot vse ostale smeti. Da bi preprečili morebitne škodljive vplive na okolje ali zdravje, ločite izdelek in njegove baterije od vseh ostalih odpadkov in poskrbite, da bodo reciklirani na okolju prijazen način. Natančne informacije o tem, kje se nahajajo primerna odlagališča, pridobite v vašem krajevnem uradu ali pri prodajalcu. Kemijski simboli Pb, Cd in Hg označujejo, katere kovine vsebuje baterija.

Eesti

Teie tootele kleebitud tähis, mis kujutab ratastega prügikonteinerit, millele on rist peale tõmmatud, keelab toote ja sellega kaasasolevate patareide kõrvaldamise majapidamisjäätmetega sarnasel viisil. Keskkonnale või inimeste tervisele tekitava võimaliku kahju vältimiseks eraldage toode ja selle patareid teistest jäätmetest, et tagada nende korduvkasutamise keskkonnasäästlikul viisil. Kui soovite saada rohkem teavet võimalike kogumispunktide kohta, võtke ühendust kohaliku omavalituse ametnikuga või teile toote müünud jaemüüjaga. Keemiliste sümbolite Pb, Cd või Hg kasutamise näitab, kas tootes on vastavaid metalle kasutatud.

Lietuviškai

Užbraukta ratuota šiukšliadėžės etiketė, kurią rasite ant jūsų produkto, reiškia, kad šis produktas ir pridedamos baterijos neturėtų būti išmestas kartu su įprastinėmis buitinėmis šiukšlėmis. Siekiant išvengti galimos žalos aplinkai bei žmonijai sveikatai, prašome atskirti šį produktą ir pridedamas baterijas nuo kitų atliekų, ir įsitikinti, kad jis būtų perdirbtas aplinkai nepavojing būdu. Jei reikia išsamesnės informacijos apie atliekų surinkimo ypatumus, prašome kreiptis į savo vietos valdžios įstaigas arba į mažmeninį pardavėją, iš kurio jūs įsigijote šį produktą. Atitinkamų metalų naudojimas baterijose yra pažymėtas cheminiais simboliais Pb, Cd arba Hg ant baterijų.

Latviski

Marķējums ar pārsvītrotu atkritumu tvertni uz ritenīšiem, kas redzams uz izstrādājuma, norāda, ka šo izstrādājumu un tajā iekļautās baterijas nedrīkst likvidēt kopā ar parastajiem sadzīves atkritumiem. Lai novērstu iespējamo kaitējumu videi vai cilvēku veselībai, lūdzu, atdaliet šo izstrādājumu un tā baterijas no citiem atkritumiem, tādējādi nodrošinot tā otrreizējo pārstrādi videi drošā veidā. Papildinformācijai par pieejamajām atkritumu savākšanas iespējām, lūdzu, sazinieties ar vietējo pašvaldību vai mazumtirgotāju, no kura jūs iegādājāties šo izstrādājumu. Ķīmisko simbolu Pb, Cd un Hg izmantošana uz marķējuma nozīmē, ka šie metāli ir izmantoti baterijā.

Ελληνικά

Η διαγραμμένη ετικέτα του τροχοφόρου κάδου απορριμμάτων που θα βρείτε πάνω στο προϊόν σας υποδεικνύει ότι αυτό το προϊόν και οι ενσωματωμένες μπαταρίες δεν πρέπει να απορρίπτεται μέσω του κανονικού δικτύου αποκομιδής οικιακών απορριμμάτων. Για να αποτρέψετε πιθανές επιπτώσεις στο περιβάλλον ή την ατομική υγεία, παρακαλούμε να διαχωρίσετε αυτό το προϊόν και τις μπαταρίες του από άλλα δίκτυα αποκομιδής ώστε να διασφαλίσετε ότι είναι δυνατή η ανακύκλωσή του με έναν περιβαλλοντικά θεμιτό τρόπο. Για περισσότερες πληροφορίες σχετικά με τις διαθέσιμες δυνατότητες συλλογής απορριμμάτων, παρακαλούμε να επικοινωνήσετε με την τοπική κυβερνητική αρχή ή το κατάστημα λιανικής από όπου αγοράσατε αυτό το προϊόν. Η χρήση των χημικών συμβόλων Pb, Cd ή Hg υποδεικνύει εάν χρησιμοποιούνται τα μέταλλα αυτά στην μπαταρία.

Türkçe

Ürününüzün üzerinde bulunan çarpi işaretli tekerlekli kutu etiketi, bu ürünün ve beraberinde gelen pillerin normal ev atık sistemi vasıtasıyla elden çıkarılmaması gerektiğini gösterir. Çevreye ve insan sağlığına zarar vermeyei önlemek için, lütfen bu ürünü ve pillerini çevreye zarar vermeyecek şekilde geri dönüşüme tabi tutulmak üzere diğer atıklardan ayırın. Mevcut toplama tesisleri ile ilgili ayrıntılı bilgi edinmek için, yerel devlet makamlarıyla veya bu ürünü satın aldığınız satıcıyla irtibata geçin. Pb, Cd veya Hg kimyasal sembollerinin kullanılması, bu metallerin pillerin üretiminde kullanılıp kullanılmadığını ifade eder.

Română

Eticheta arătând un coș de gunoi tăiat cu două linii încrucișate, care poate fi găsită pe produs, indică faptul că acesta și bateriile încorporate nu trebuie aruncate la gunoi laolaltă cu gunoiul menajer. Pentru a evita posibila degradare a mediului înconjurător sau a sănătății umane, colectați separat acest produs și bateriile încorporate și nu împuneți cu gunoiul menajer pentru a vă asigura că acestea pot fi reciclate într-un mod ecologic. Pentru mai multe detalii privind punctele disponibile de colectare, contactați autoritățile locale sau comerciantul de la care ați achiziționat acest produs. Utilizarea simbolurilor unor substanțe chimice precum Pb, Cd sau Hg indică faptul că aceste metale sunt utilizate în baterie.

Български

Етикетът, представляващ зачертано кошче за боклук в кръг, който можете да видите върху вашия продукт, означава, че този продукт и батериите към него не трябва да се изхвърлят заедно с обикновените домакински отпадъци. За предпазване от евентуални щети върху околната среда или човешкото здраве, моля, отделете този продукт и батериите му от останалите отпадъци, за да се гарантира, че той ще бъде рециклиран по екологично съобразен начин. За повече информация относно наличните места за събиране на отпадъци, моля, свържете се с местните власти или търговеца, от когото сте закупили този продукт. Химическите символи Pb, Cd и Hg подсочват дали съответните метали са използвани в батерията.

This information only applies to customers in the European Union, according to DIRECTIVE 2006/66/EC OF THE EUROPEAN PARLIAMENT AND OF THE COUNCIL OF 6 September 2006 on batteries and accumulators and waste batteries and accumulators and repealing Directive 91/157/EEC and legislation transposing and implementing it into the various national legal systems.

For other countries, please contact your local government to investigate the possibility of recycling your product.

Sicherheitshinweise

Handbuch-Konventionen

**Vorsicht**

Diese Warnungen müssen unbedingt beachtet werden, um Körperverletzungen zu vermeiden.

**Achtung**

Anmerkungen dieser Art müssen beachtet werden, um Schäden am Gerät zu vermeiden.

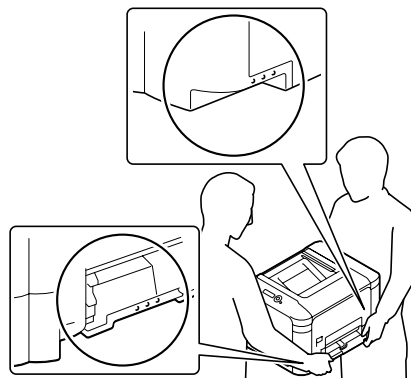
Hinweise

Hinweise enthalten wichtige Informationen und hilfreiche Tipps zur Arbeit mit dem Drucker.

Wichtige Sicherheitshinweise

Aufstellen des Druckers

- ❑ Wenn die Verbrauchsmaterialien installiert sind, wiegt der Drucker ca. 27 kg und sollte daher nicht von einer Person alleine angehoben oder getragen werden. Der Drucker sollte von zwei Personen getragen und an den in der folgenden Abbildung dargestellten Positionen angehoben werden.



- ❑ Wenn der Stecker nicht in die Steckdose passt, wenden Sie sich an einen Elektriker.

- Stellen Sie sicher, dass das Netzkabel den örtlichen Sicherheitsbestimmungen entspricht. Verwenden Sie nur das mit diesem Gerät mitgelieferte Netzkabel. Andere Kabel können Feuer oder elektrische Schläge verursachen. Das mitgelieferte Netzkabel darf nur mit diesem Drucker verwendet werden. Bei Verwendung mit anderen Geräten können Feuer oder elektrische Schläge verursacht werden.
- Wenn der Stecker beschädigt wird, ersetzen Sie das Netzkabel oder wenden Sie sich an einen qualifizierten Techniker. Im Stecker eingebaute Sicherungen dürfen nur mit Sicherungen der gleichen Baugröße und mit dem gleichen Nennwert ersetzt werden.
- Verwenden Sie eine geerdete Steckdose, in die der Netzstecker des Druckers passt. Verwenden Sie keinen Zwischenstecker.
- Verwenden Sie keine Steckdosen, die durch Wandschalter oder Zeitschaltungen gesteuert werden. Durch eine ungewollte Unterbrechung der Stromversorgung können wertvolle Daten im Speicher des Computers und Druckers verloren gehen.
- Achten Sie darauf, dass die Steckdose nicht verstaubt ist.
- Stellen Sie sicher, dass der Stecker ganz in der Steckdose eingesetzt ist.
- Fassen Sie den Stecker nicht mit nassen Händen an.
- In den folgenden Fällen müssen Sie diesen Drucker vom Netz trennen und sich an einen qualifizierten Servicetechniker wenden:
 - A. Wenn das Netzkabel bzw. der Stecker beschädigt ist.
 - B. Wenn Flüssigkeit in das Gerät gelangt ist.
 - C. Wenn das Gerät Regen oder Wasser ausgesetzt war.
 - D. Wenn das Gerät bei Befolgung der Bedienungsanleitung nicht normal funktioniert. Stellen Sie nur die in der Bedienungsanleitung aufgeführten Bedienelemente ein. Eine falsche Einstellung anderer Bedienelemente kann zu Schäden führen, sodass umfangreiche Arbeiten durch einen Kundendiensttechniker erforderlich werden, damit das Gerät wieder normal funktioniert.
 - E. Wenn das Gerät heruntergefallen ist oder das Gehäuse beschädigt wurde.
 - F. Wenn das Gerät auffällige Leistungsabweichungen aufweist, die auf die Notwendigkeit einer Wartung hinweisen.
- Verwenden Sie keine Steckdosen, an die bereits andere Geräte angeschlossen sind.

- ❑ Schließen Sie alle Geräte nur an ordnungsgemäß geerdete Steckdosen an. Es darf keine Steckdose benutzt werden, an der bereits Geräte wie Fotokopierer oder Ventilatoren angeschlossen sind, die regelmäßig ein- und ausgeschaltet werden.
- ❑ Schließen Sie den Drucker an eine Steckdose an, deren Spannung der Betriebsspannung des Druckers entspricht. Die Betriebsspannung des Druckers ist auf einem am Drucker angebrachten Typenschild angegeben. Wenn Ihnen die Spannungswerte Ihres Stromnetzes nicht bekannt sind, wenden Sie sich an Ihren Stromversorger bzw. Händler.
- ❑ Wenn Sie ein Verlängerungskabel verwenden, achten Sie darauf, dass die Gesamtstromstärke aller am Verlängerungskabel angeschlossenen Geräte die zulässige Stromstärke des Verlängerungskabels nicht überschreitet.
- ❑ Wenn Sie dieses Produkt mit einem Kabel an einen Computer oder ein anderes Gerät anschließen, achten Sie auf die richtige Ausrichtung der Stecker. Jeder Stecker kann nur auf eine Weise eingesteckt werden. Wenn ein Stecker falsch ausgerichtet eingesteckt wird, können beide Geräte, die über das Kabel verbunden sind, beschädigt werden.
- ❑ Wenn das optionale Zusatzpapiermagazin verwendet wird, installieren Sie immer die Positionierstifte richtig. Anweisungen zum Installieren der Positionierstifte siehe Benutzerhandbuch.

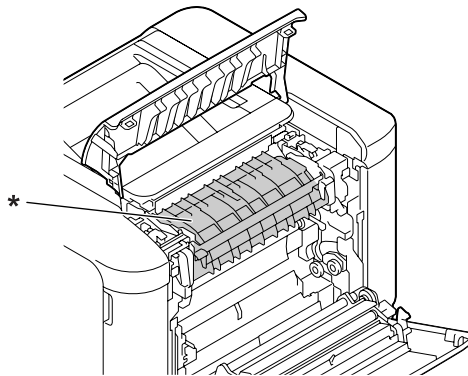
Der geeignete Standort für den Drucker

- ❑ Stellen Sie den Drucker in der Nähe einer Netzsteckdose auf, sodass der Netzstecker jederzeit problemlos eingesteckt und gezogen werden kann.
- ❑ Stellen Sie den Drucker nicht so auf, dass auf das Kabel getreten wird.
- ❑ Setzen Sie den Drucker nicht in einer feuchten Umgebung ein.
- ❑ Wählen Sie keinen Ort, der direkter Sonneneinstrahlung, extrem hohen Temperaturen, Feuchtigkeit, Öldämpfen oder Staub ausgesetzt ist.
- ❑ Stellen Sie den Drucker nicht auf eine instabile Unterlage.
- ❑ Schlitze und Öffnungen im Gehäuse, an der Rückseite und der Unterseite sind für Belüftung vorgesehen. Sie dürfen nicht blockiert oder abgedeckt werden. Stellen Sie den Drucker nicht auf ein Bett, ein Sofa, einen Teppich oder eine ähnliche Fläche oder in einer umbauten Installation, außer wenn eine einwandfreie Belüftung gewährleistet ist.
- ❑ Stellen Sie den Computer und Drucker möglichst nicht in der Nähe potenzieller Störfelder (z. B. Lautsprecher oder Basisstationen von Funktelefonen) auf.

- ❑ Achten Sie darauf, dass um den Drucker herum genügend Platz vorhanden ist, um eine ausreichende Belüftung sicherzustellen.

Verwenden des Druckers

- ❑ Berühren Sie niemals die Fixiereinheit oder Teile in deren Umgebung. Die Fixiereinheit ist mit dem Warnaufkleber **ACHTUNG** versehen. Nach dem Drucken können die Fixiereinheit und deren Umgebung sehr heiß sein. Wenn Sie einen dieser Bereiche berühren müssen, warten Sie 40 Minuten, damit die Wärme abgeführt werden kann.



* **ACHTUNG**

- ❑ Fassen Sie nicht in die Fixiereinheit, da einige Komponenten scharfkantig sind und Verletzungen verursachen können.
- ❑ Stecken Sie niemals Gegenstände irgendwelcher Art durch Öffnungen im Gehäuse, da sie gefährliche Spannungen berühren oder Kurzschlüsse verursachen können, wodurch Feuer oder elektrische Schläge verursacht werden können.
- ❑ Nicht auf den Drucker sitzen oder daran anlehnen. Keine schweren Gegenstände auf den Drucker stellen.
- ❑ Keine feuergefährlichen Gase im oder um den Drucker herum verwenden.
- ❑ Versuchen Sie nie, die Druckerbauteile gewaltsam einzusetzen. Der Drucker ist zwar robust gebaut, kann jedoch bei unsachgemäßer Behandlung beschädigt werden.
- ❑ Lassen Sie gestautes Papier nicht im Drucker. Der Drucker kann sich dadurch überhitzen.
- ❑ Achten Sie darauf, dass niemals Flüssigkeit irgendwelcher Art auf diesen Drucker gelangt.

- Nehmen Sie nur Einstellungen vor, die in der Dokumentation beschrieben sind. Unsachgemäße Bedienungsvorgänge und Einstellungen können zu Schäden führen und Reparaturen durch einen Mitarbeiter des autorisierten Kundendiensts erforderlich machen.
- Schalten Sie den Drucker in den folgenden Fällen nicht aus:
 - Nach dem Einschalten des Druckers warten, bis im LCD-Display die Meldung Ready (Bereit) angezeigt wird.
 - Während des Druckvorgangs oder bei anderen Vorgängen wie Schreiben von Daten auf externe Geräte.
- Wenn nicht ausdrücklich in diesem Handbuch erwähnt, vermeiden Sie die Berührung mit Bauteilen im Inneren des Geräts.
- Beachten Sie alle auf dem Drucker angegebenen Warnhinweise und Anweisungen.
- Mit Ausnahme der ausdrücklich in der Druckerdokumentation angegebenen Maßnahmen dürfen Sie selbst keine Eingriffe am Gerät vornehmen.
- Trennen Sie den Stecker regelmäßig von der Steckdose und reinigen Sie die Steckkontakte.
- Trennen Sie den Stecker nicht, während der Drucker eingeschaltet ist.
- Wird der Drucker längere Zeit nicht benutzt, trennen Sie den Stecker von der Steckdose.
- Ziehen Sie vor dem Reinigen des Druckers den Netzstecker.
- Verwenden Sie zum Reinigen ein leicht feuchtes Tuch, und verwenden Sie keine Reinigungsflüssigkeiten oder -sprays.
- Halten Sie den Drucker beim Tragen immer in horizontaler Position.
- Entfernen Sie das gestaute Papier nicht mit Gewalt, da eingerissenes Papier schwieriger zu entfernen ist und weitere Papierstaus verursachen kann. Ziehen Sie das Papier vorsichtig und gleichmäßig, um zu vermeiden, dass das Papier zerreißt, das Gerät herunterfällt und Verletzungen verursacht.
- Ziehen Sie beim Abtrennen des Netzsteckers nicht am Netzkabel. Greifen Sie beim Abziehen immer am Stecker.
- Lassen Sie die Papierkante nicht über die Haut gleiten, um Schnittverletzungen zu vermeiden.
- Schalten Sie den Drucker beim Transport aus und ziehen Sie den Netzstecker von der Steckdose ab. Stellen Sie sicher, dass alle Kabel abgetrennt sind.

Umgang mit Verbrauchsmaterialien

- Verbrauchte Verbrauchsmaterialien nicht verbrennen. Sie könnten explodieren und jemanden verletzen. Entsorgen Sie sie gemäß den gesetzlichen Bestimmungen.
- Bewahren Sie das Verbrauchsmaterial außerhalb der Reichweite von Kindern auf.
- Druckkartuschen immer auf einer sauberen, glatten Unterlage ablegen.
- Versuchen Sie nicht, eine Druckkartusche zu ändern oder zu zerlegen.
- Vermeiden Sie jede Berührung mit dem Toner. Augenkontakt mit dem Toner immer vermeiden. Wenn der Toner mit Ihrer Haut oder Ihrer Kleidung in Berührung kommt, waschen Sie ihn umgehend mit Seife und Wasser ab.
- Wenn Toner verschüttet wurde, verwenden Sie einen Besen und eine Kehrschaufel oder ein angefeuchtetes Tuch mit Seife und Wasser, um den Toner zu beseitigen. Da die feinen Partikel bei Funkenflug Feuer oder eine Explosion verursachen können, sollten Sie keinen Staubsauger verwenden.
- Aus einer kalten in eine warme Umgebung gebrachte Druckkartuschen sollten frühestens nach einer Stunde verwendet werden, um Kondensationsschäden zu vermeiden.
- Um stets eine optimale Druckqualität zu gewährleisten, darf die Druckkartusche nicht an Orten aufbewahrt werden, an denen sie direkter Sonneneinstrahlung, Staub, salzhaltiger Luft oder ätzenden Gasen (z. B. Ammoniak) ausgesetzt ist. Stellen Sie den Drucker nicht an Orten mit hohen Temperatur- oder Luftfeuchtigkeitsschwankungen auf.
- Setzen Sie die Druckkartusche beim Entfernen nicht direkter Sonneneinstrahlung aus, und vermeiden Sie, dass sie länger als 5 Minuten dem Licht ausgesetzt wird. Die Druckkartusche enthält eine lichtempfindliche Entwicklertrommel. Wird die Entwicklertrommel starkem Licht ausgesetzt, können auf den Ausdrucken ungewöhnlich dunkle oder helle Stellen auftreten, und die Lebensdauer der Trommel kann sich verkürzen. Wenn die Druckkartusche längere Zeit außerhalb des Druckers gelagert werden muss, sollten Sie sie mit einem lichtundurchlässigen Tuch abdecken.
- Achten Sie darauf, die Oberfläche der Entwicklertrommel nicht zu zerkratzen. Wenn Sie die Druckkartusche aus dem Drucker nehmen, legen Sie sie auf einer sauberen, glatten Unterlage ab. Vermeiden Sie jede Berührung der Entwicklertrommel mit den Händen, da die Oberfläche des Bauteils durch das Hautfett dauerhaft beschädigt und dadurch die Druckqualität beeinträchtigt werden kann.

Sicherheitsinformationen

Aufkleber zu Laserstrahlung



Vorsicht:

Bedienungsvorgänge und Einstellungen, die nicht ausdrücklich in der Dokumentation des Druckers beschrieben sind, können zu gefährlicher Strahlung führen. Dieser Drucker ist ein Lasergerät der Klasse 1 entsprechend der Definition in den Spezifikationen IEC60825. Der abgebildete Aufkleber ist in Ländern, in denen dies erforderlich ist, an der Rückseite des Druckers angebracht.



Interne Laserstrahlung

In der Druckkopfeinheit befindet sich eine Laserdioden-Baugruppe der Klasse III mit einem unsichtbaren Laserstrahl. Der Druckkopf ist KEINE WARTBARE VORRICHTUNG, daher darf die Druckkopfeinheit unter keinen Umständen geöffnet werden. Im Inneren des Druckers ist ein zusätzlicher Aufkleber zur Laserstrahlung angebracht.



Ozon-Sicherheit

Ozonemission

Laserdrucker erzeugen Ozongas als Nebenprodukt des Druckprozesses. Ozon wird nur erzeugt, während der Drucker druckt.

Ozon-Belastungsgrenze

Der Epson-Laserdrucker erzeugt bei laufendem Druck weniger als 3 mg/h.

Minimieren der Gefahr

Um die Ozonbelastung minimal zu halten, sollten Sie die folgenden Bedingungen vermeiden:

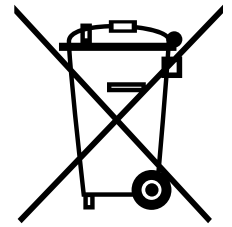
- Einsatz von mehreren Laserdruckern in einem abgeschlossenen Bereich
- Betrieb bei extrem niedriger Luftfeuchtigkeit
- Schlechte Raumbelüftung
- Langer kontinuierlicher Druckbetrieb in Verbindung mit einer der obigen Bedingungen

Aufstellplatz des Druckers

Der Drucker sollte so aufgestellt werden, dass erzeugte Abgase und Wärme:

- nicht direkt auf das Gesicht des Benutzers gerichtet sind.
- nach Möglichkeit direkt aus dem Gebäude ins Freie geleitet werden.

Battery Addendum



English

The crossed out wheeled bin label that can be found on your product indicates that this product and incorporated batteries should not be disposed of via the normal household waste stream. To prevent possible harm to the environment or human health please separate this product and its batteries from other waste streams to ensure that it can be recycled in an environmentally sound manner. For more details on available collection facilities please contact your local government office or the retailer where you purchased this product. Use of the chemical symbols Pb, Cd or Hg indicates if these metals are used in the battery.

Deutsch

Der Aufkleber mit durchgekrenzter Mülltonne an diesem Produkt weist darauf hin, dass dieses Produkt und darin enthaltene Batterien nicht im normalen Hausmüll entsorgt werden dürfen. Zur Vermeidung einer möglichen Beeinträchtigung der Umwelt oder der menschlichen Gesundheit und um zu gewährleisten, dass es in einer umweltverträglichen Weise recycelt wird, darf dieses Produkt mitsamt den Batterien nicht in den Hausmüll gegeben werden. Informationen zu Entsorgungseinrichtungen erhalten Sie bei der zuständigen Behörde oder dem Händler, bei dem Sie dieses Produkt erworben haben. Die Angabe der chemischen Zeichen Pb, Cd oder Hg bedeutet, dass diese Metalle in der Batterie verwendet werden.

Français

L'étiquette apposée sur ce produit et représentant une poubelle barrée indique que le produit et les piles intégrées ne peuvent être mis au rebut avec les déchets domestiques normaux. Afin d'éviter d'éventuels dommages au niveau de l'environnement ou sur la santé, veuillez séparer ce produit et ses piles des autres déchets de manière à garantir qu'ils soient recyclés de manière sûre au niveau environnemental. Pour plus de détails sur les sites de collecte existants, veuillez contacter l'administration locale ou le détaillant auprès duquel vous avez acheté ce produit. Les symboles chimiques Pb, Cd et Hg sont utilisés pour désigner les métaux présents dans les piles.

Italiano

L'etichetta con il contenitore barrato applicata sull'imballo indica che il prodotto e le batterie incluse non devono essere smaltiti tramite la procedura normale di smaltimento dei rifiuti domestici. Per evitare eventuali danni all'ambiente e alla salute umana, separare questo prodotto e le relative batterie da altri rifiuti domestici in modo che possano essere riciclati in base alle procedure di rispetto dell'ambiente. Per maggiori dettagli sulle strutture di raccolta disponibili, contattare l'ufficio competente del proprio comune o il rivenditore del prodotto. L'uso dei simboli chimici Pb, Cd o Hg indica la presenza di tali metalli nelle batterie.

Español

La etiqueta de un contenedor tachado que hallará en su producto indica que este producto y sus pilas no se pueden tirar con la basura doméstica normal. Para impedir posibles daños medioambientales o para la salud, separe este producto y sus pilas de otros canales de desecho para garantizar que se recicle de una forma segura para el medio ambiente. Para más información sobre las instalaciones de recolección disponibles, diríjase a las autoridades locales o al punto de venta donde adquirió este producto. Los símbolos químicos Pb, Cd o Hg indican que las pilas contienen ese metal.

Português

A etiqueta com o símbolo de um contentor de lixo traçado com uma cruz que aparece no produto indica que este produto e as pilhas incluídas não devem ser deitados fora juntamente com o lixo doméstico. Para evitar possíveis danos no ambiente ou na saúde pública, por favor separe este produto e respectivas pilhas de outros lixos; desta forma, terá a certeza de que podem ser reciclados através de métodos não prejudiciais ao ambiente. Para obter mais informações sobre os locais de recolha de lixo disponíveis, contacte a sua junta de freguesia, câmara municipal ou local onde comprou este produto. A utilização dos símbolos químicos Pb, Cd ou Hg indica se estes metais são utilizados na pilha.

Nederlands

Op uw product is een label van een rolcontainer met een kruis erdoor aangebracht. Dit label wil zeggen dat dit product en de batterijen in het product niet bij het normale huishoudelijk afval mogen worden ingezameld. Om eventuele schade aan het milieu of de gezondheid van de mens te voorkomen moeten dit product en de batterijen gescheiden van al het ander afval worden ingezameld, zodat alles op een verantwoorde wijze kan worden verwerkt. Voor meer informatie over uw lokale afvalinzameling wendt u zich tot uw gemeente of de leverancier bij wie u dit product hebt gekocht. Gebruik van de chemische symbolen Pb, Cd of Hg geeft aan of deze metalen worden gebruikt in de batterij.

Dansk

Etiketten med et kryds over skraldespanden på hjul, der sidder på produktet, angiver, at dette produkt og dets batterier ikke må bortskaffes sammen med almindeligt husholdningsaffald. For at beskytte miljø og helbred skal dette produkt og dets batterier bortskaffes separat, så disse dele kan genbruges på en måde, der er god for miljøet. Kontakt de lokale myndigheder eller den forhandler, hos hvem du har købt produktet, vedrørende steder, hvor du kan aflevere produktet. Brugen af de kemiske symboler Pb, Cd eller Hg angiver, om disse metaller er anvendt i batteriet.

Suomi

Laitte on merkitty jäteastia-symbolilla, jonka yli on vedetty rasti. Tämä tarkoittaa, ettei laitetta tai siihen kuuluvia paristoja saa hävittää normaalin talousjätteen mukana. Älä hävitä laitetta tai sen paristoja normaalin jätteen seassa vaan varmista, että laite kierrätetään ympäristöystävällisellä tavalla, jottei ympäristölle tai ihmisille aiheudu vahinkoa. Lisätietoja kierrätyksestä ja keräyspisteistä saa ottamalla yhteyttä paikallisiin viranomaisiin tai jälleenmyyjään, jolta laite ostettiin. Kemiallisten merkien Pb (lyijy), Cd (kadmium) tai Hg (elohopea) käyttö ilmaisee, että paristo sisältää kyseistä metallia.

Svenska

Symbolen med en överkorsad soptunna innebär att denna produkt och tillhörande batterier inte får kastas i vanligt hushållsavfall. För att skydda miljön ska denna produkt och dess batterier inte kastas tillsammans med vanligt hushållsavfall utan lämnas för återvinning på tillbörligt sätt. För mer information om uppsamlingsplatser kontakta din lokala myndighet eller den återförsäljare där du har köpt produkten. De kemiska symbolerna Pb, Cd eller Hg visar om dessa metaller används i batteriet.

Norsk

Etiketten på hjulbeholderen på produktet ditt antyder at produktet og batteriene som hører med, ikke skal avhendes sammen med vanlig husholdningsavfall. Hold produktet og batteriene atskilt fra annet avfall, slik at det kan resirkuleres på en miljømessig og forsvarlig måte og dermed forhindre eventuell skade på miljø eller helse. Kontakt lokale myndigheter, eller din forhandler, for mer informasjon angående avhenting av produktet. De kjemiske symbolene Pb, Cd og Hg antyder om disse metallene har blitt brukt i batteriet.

Česky

Štítek s přeškrtnutým odpadkovým košem na kolečkách, který lze nalézt na výrobku, označuje, že se tento výrobek a přiložené baterie nemají likvidovat s běžným domovním odpadem. V zájmu ochrany životního prostředí a lidského zdraví zlikvidujte tento výrobek a jeho baterie jako tříděný odpad, který se recykluje způsobem šetrným k životnímu prostředí. Podrobnější informace o sběrných dvorech pro tříděný odpad získáte na obecním úřadě nebo u prodejce, u kterého jste tento výrobek zakoupili. Použité chemické značky Pb, Cd nebo Hg označují, zda baterie obsahuje tyto kovy.

Magyar

A termékén található, áthúzott szemetest ábrázoló címke azt jelzi, hogy ezt a terméket és a hozzá tartozó elemeket nem szabad a rendes háztartási szeméttel együtt kidobni. Az esetleges környezeti- vagy egészségkárosodást megelőzendő, kérjük, hogy ezt a terméket és az elemeket a többi szeméttől elkülönítve helyezze el, és biztosítsa, hogy azt környezetbarát módon újrahasznosítsák. A rendelkezésére álló begyűjtő létesítményekről kérjük tájékozódjon a megfelelő helyi állami szerveknél vagy a viszonteladónál, ahol a terméket vásárolta. A Pb, Cd vagy Hg vegyjelek jelzik, ha ilyen fémeket is felhasználtak az elem gyártása során.

Polski

Symbol przekreślonego kosza znajdujący się na produkcie oznacza, że nie można produktu oraz wewnętrzznego akumulatora utylizować razem z normalnymi odpadami z gospodarstwa domowego. Aby zapobiec potencjalnemu zagrożeniu dla środowiska lub zdrowia ludzkiego, produkt oraz wewnętrzny akumulator należy odseparować od reszty odpadów z gospodarstwa domowego i utylizować w ekologicznie właściwy sposób. Szczegółowe informacje na temat punktów zbiórki odpadów można uzyskać w lokalnych urzędach lub u sprzedawcy danego produktu. Symbole chemiczne Pb, Cd lub Hg oznaczają, że metale te zostały zastosowane w akumulatorze.

Slovensky

Štítok s preškrtnutým odpadkovým košom na kolieskach, ktorý je možné nájsť na výrobku, označuje, že tento produkt a obsiahnuté batérie sa nemajú likvidovať s bežným komunálnym odpadom. V záujme ochrany životného prostredia a ľudského zdravia zlikvidujte tento výrobok a batérie ako triedený odpad, ktorý sa recykluje spôsobom šetrným k životnému prostrediu. Podrobnejšie informácie o zberných dvoroch pre triedený odpad získate na obecnom úrade alebo u predajcu, u ktorého ste príslušný výrobok zakúpili. Použitie chemických značiek Pb, Cd alebo Hg znamená, že tieto kovy sú použité v batériách.

Slovenski

Prečrtan koš za smeti na etiketi, katero lahko najdete na vašem izdelku, pomeni, da niti tega izdelka niti njegovih baterij ne smete odvreči podobno kot vse ostale smeti. Da bi preprečili morebitne škodljive vplive na okolje ali zdravje, ločite izdelek in njegove baterije od vseh ostalih odpadkov in poskrbite, da bodo reciklirani na okolju prijazen način. Natančne informacije o tem, kje se nahajajo primerna odlagališča, pridobite v vašem krajevnem uradu ali pri prodajalcu. Kemijski simboli Pb, Cd in Hg označujejo, katere kovine vsebuje baterija.

Eesti

Teie tootele kleebitud tähis, mis kujutab ratastega prügikonteinerit, millele on rist peale tõmmatud, keelab toote ja sellega kaasasolevate patareide kõrvaldamise majapidamisjäätmetega sarnasel viisil. Keskkonnale või inimeste tervisele tekitava võimaliku kahju vältimiseks eraldage toode ja selle patareid teistest jäätmetest, et tagada nende korduvkasutamise keskkonnasäästlikul viisil. Kui soovite saada rohkem teavet võimalike kogumispunktide kohta, võtke ühendust kohaliku omavalituse ametnikuga või teile toote müünud jaemüüjaga. Keemiliste sümbolite Pb, Cd või Hg kasutamise näitab, kas tootes on vastavaid metalle kasutatud.

Lietuviškai

Užbraukta ratuota šiukšliadėžės etiketė, kurią rasite ant jūsų produkto, reiškia, kad šis produktas ir pridedamos baterijos neturėtų būti išmestas kartu su įprastinėmis buitinėmis šiukšlėmis. Siekiant išvengti galimos žalos aplinkai bei žmonių sveikatai, prašome atskirti šį produktą ir pridedamas baterijas nuo kitų atliekų, ir įsitikinti, kad jis būtų perdirbtas aplinkai nepavojingu būdu. Jei reikia išsamesnės informacijos apie atliekų surinkimo ypatumus, prašome kreiptis į savo vietos valdžios įstaigas arba į mažmeninį pardavėją, iš kurio jūs įsigijote šį produktą. Atitinkamų metalų naudojimas baterijose yra pažymėtas cheminiais simboliais Pb, Cd arba Hg ant baterijų.

Latviski

Marķējums ar pārsvītrotu atkritumu tvertni uz ritenīšiem, kas redzams uz izstrādājuma, norāda, ka šo izstrādājumu un tajā iekļautās baterijas nedrīkst likvidēt kopā ar parastajiem sadzīves atkritumiem. Lai novērstu iespējamo kaitējumu videi vai cilvēku veselībai, lūdzu, atdaliet šo izstrādājumu un tā baterijas no citiem atkritumiem, tādējādi nodrošinot tā otrreizējo pārstrādi videi drošā veidā. Papildinformācijai par pieejamajām atkritumu savākšanas iespējām, lūdzu, sazinieties ar vietējo pašvaldību vai mazumtirgotāju, no kura jūs iegādājāties šo izstrādājumu. Ķīmisko simbolu Pb, Cd un Hg izmantošana uz marķējuma nozīmē, ka šie metāli ir izmantoti baterijā.

Ελληνικά

Η διαγραμμένη ετικέτα του τροχοφόρου κάδου απορριμμάτων που θα βρείτε πάνω στο προϊόν σας υποδεικνύει ότι αυτό το προϊόν και οι ενσωματωμένες μπαταρίες δεν πρέπει να απορρίπτεται μέσω του κανονικού δικτύου αποκομιδής οικιακών απορριμμάτων. Για να αποτρέψετε πιθανές επιπτώσεις στο περιβάλλον ή την ατομική υγεία, παρακαλούμε να διαχωρίσετε αυτό το προϊόν και τις μπαταρίες του από άλλα δίκτυα αποκομιδής ώστε να διασφαλίσετε ότι είναι δυνατή η ανακύκλωσή του με έναν περιβαλλοντικά θεμιτό τρόπο. Για περισσότερες πληροφορίες σχετικά με τις διαθέσιμες δυνατότητες συλλογής απορριμμάτων, παρακαλούμε να επικοινωνήσετε με την τοπική κυβερνητική αρχή ή το κατάστημα λιανικής από όπου αγοράσατε αυτό το προϊόν. Η χρήση των χημικών συμβόλων Pb, Cd ή Hg υποδεικνύει εάν χρησιμοποιούνται τα μέταλλα αυτά στην μπαταρία.

Türkçe

Ürününüzün üzerinde bulunan çarpi işaretli tekerlekli kutu etiketi, bu ürünün ve beraberinde gelen pillerin normal ev atık sistemi vasıtasıyla elden çıkarılmaması gerektiğini gösterir. Çevreye ve insan sağlığına zarar vermeyi önlemek için, lütfen bu ürünü ve pillerini çevreye zarar vermeyecek şekilde geri dönüşüme tabi tutulmak üzere diğer atıklardan ayırın. Mevcut toplama tesisleri ile ilgili ayrıntılı bilgi edinmek için, yerel devlet makamlarıyla veya bu ürünü satın aldığınız satıcıyla irtibata geçin. Pb, Cd veya Hg kimyasal sembollerinin kullanılması, bu metallerin pillerin üretiminde kullanılıp kullanılmadığını ifade eder.

Română

Eticheta arătând un coș de gunoi tăiat cu două linii încrucișate, care poate fi găsită pe produs, indică faptul că acesta și bateriile încorporate nu trebuie aruncate la gunoi laolaltă cu gunoiul menajer. Pentru a evita posibila degradare a mediului înconjurător sau a sănătății umane, colectați separat acest produs și bateriile încorporate și nu împuneți cu gunoiul menajer pentru a vă asigura că acestea pot fi reciclate într-un mod ecologic. Pentru mai multe detalii privind punctele disponibile de colectare, contactați autoritățile locale sau comerciantul de la care ați achiziționat acest produs. Utilizarea simbolurilor unor substanțe chimice precum Pb, Cd sau Hg indică faptul că aceste metale sunt utilizate în baterie.

Български

Етикетът, представляващ зачертано кошче за боклук в кръг, който можете да видите върху вашия продукт, означава, че този продукт и батериите към него не трябва да се изхвърлят заедно с обикновените домакински отпадъци. За предпазване от евентуални щети върху околната среда или човешкото здраве, моля, отделете този продукт и батериите му от останалите отпадъци, за да се гарантира, че той ще бъде рециклиран по екологично съобразен начин. За повече информация относно наличните места за събиране на отпадъци, моля, свържете се с местните власти или търговеца, от когото сте закупили този продукт. Химическите символи Pb, Cd и Hg подсочват дали съответните метали са използвани в батерията.

This information only applies to customers in the European Union, according to DIRECTIVE 2006/66/EC OF THE EUROPEAN PARLIAMENT AND OF THE COUNCIL OF 6 September 2006 on batteries and accumulators and waste batteries and accumulators and repealing Directive 91/157/EEC and legislation transposing and implementing it into the various national legal systems.

For other countries, please contact your local government to investigate the possibility of recycling your product.

Consignes de sécurité

Avertissements, attentions et remarques



Avertissements

Ils doivent être suivis à la lettre pour éviter les blessures corporelles.



Attentions

A respecter pour éviter d'endommager votre installation.

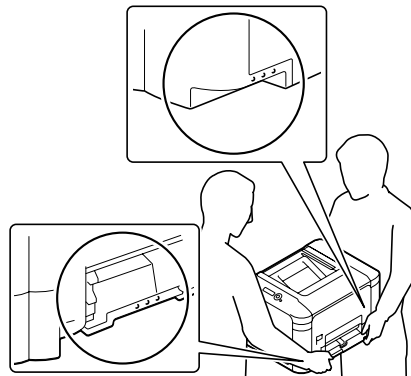
Remarques

Elles fournissent des informations importantes et des conseils utiles concernant le fonctionnement de votre imprimante.

Consignes de sécurité importantes

Installation de l'imprimante

- ❑ Avec tous ses consommables installés, l'imprimante pèse environ 27 kg. Elle ne doit donc pas être portée ou soulevée par une seule personne. Le mieux est de la porter à deux en la saisissant aux endroits prévus à cet effet, comme illustré ci-dessous.



- ❑ Si vous ne parvenez pas à insérer la fiche du cordon d'alimentation dans la prise électrique, contactez un électricien.

- ❑ Assurez-vous que le cordon d'alimentation CA répond aux normes de sécurité locales en vigueur. Utilisez uniquement le cordon d'alimentation livré avec le produit. L'utilisation d'un autre cordon peut entraîner un incendie ou une décharge électrique. Le cordon d'alimentation du produit doit uniquement être utilisé avec le produit. L'utilisation du cordon sur un autre équipement peut entraîner un incendie ou une décharge électrique.
- ❑ En cas de détérioration au niveau de la fiche, remplacez le cordon dans son ensemble ou consultez un électricien qualifié. Si la fiche contient des fusibles, veillez à les remplacer par des fusibles de même taille et de même calibre.
- ❑ Utilisez une prise secteur reliée à la terre qui soit adaptée à la prise d'alimentation de l'imprimante. N'utilisez pas d'adaptateur.
- ❑ Evitez d'utiliser une prise électrique commandée par un interrupteur mural ou un programmateur automatique. Une coupure de courant accidentelle peut effacer des informations importantes de la mémoire de votre ordinateur ou de votre imprimante.
- ❑ Assurez-vous de l'absence de poussière sur la prise.
- ❑ Veillez à insérer complètement la fiche dans la prise électrique.
- ❑ Ne manipulez pas la fiche avec les mains mouillées.
- ❑ Débranchez l'imprimante de la prise murale et faites appel à un technicien de maintenance qualifié dans les circonstances suivantes :
 - A. Si la fiche ou le cordon d'alimentation est endommagé(e) ou usé(e).
 - B. Si du liquide a été renversé sur l'imprimante.
 - C. Si l'imprimante a été exposée à la pluie ou à l'eau.
 - D. Si l'imprimante ne fonctionne pas normalement alors que les instructions de fonctionnement sont respectées. Réglez uniquement les commandes décrites dans les instructions de fonctionnement. Si vous réglez de manière incorrecte d'autres commandes, l'imprimante risque d'être endommagée et nécessitera un travail important de la part d'un technicien qualifié, pour rétablir le fonctionnement normal du produit.
 - E. Si l'imprimante est tombée ou si le boîtier a été endommagé.
 - F. Si les performances de l'imprimante ont changé de manière importante, indiquant qu'un entretien est nécessaire.
- ❑ Evitez le branchement d'autres appareils sur la même prise.

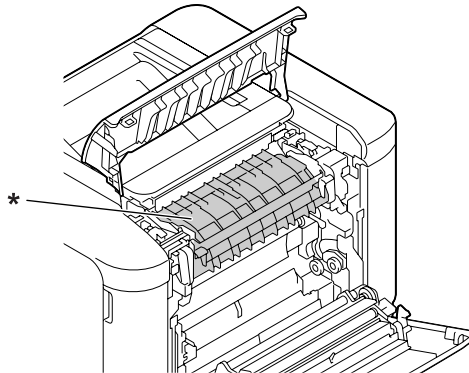
- ❑ Connectez l'ensemble de l'équipement à des prises de courant correctement mises à la terre. Evitez l'utilisation de prises de courant reliées au même circuit que les photocopieurs ou les systèmes de climatisation qui sont fréquemment arrêtés et mis en marche.
- ❑ Connectez l'imprimante à une prise électrique conforme à ses spécifications électriques. Les caractéristiques électriques sont indiquées sur une étiquette apposée sur l'imprimante. Si vous n'êtes pas sûr de la tension électrique dont vous disposez, contactez votre revendeur ou la compagnie d'électricité locale.
- ❑ Si vous utilisez une rallonge, assurez-vous que l'intensité totale des appareils reliés ne dépasse pas l'intensité prise en charge par la rallonge.
- ❑ Lors de la connexion de ce produit à un ordinateur ou un autre périphérique à l'aide d'un câble, assurez-vous que les connecteurs sont correctement orientés. Les connecteurs ne disposent que d'une seule orientation correcte. Si les connecteurs ne sont pas insérés correctement, les deux périphériques reliés à l'aide du câble risquent d'être endommagés.
- ❑ Lorsque vous utilisez le chargeur papier en option, assurez-vous d'installer correctement les picots de placement. Pour obtenir des instructions sur l'installation des picots de placement, voir le Guide d'utilisation.

Choix de l'emplacement de l'imprimante

- ❑ Placez l'imprimante à proximité d'une prise électrique permettant de brancher et débrancher facilement le cordon d'alimentation.
- ❑ Placez l'imprimante de manière à ce que personne ne puisse marcher sur le cordon.
- ❑ N'utilisez pas l'imprimante dans un environnement humide.
- ❑ Evitez les endroits exposés à la lumière directe du soleil ou à une chaleur excessive, ainsi que les endroits humides, présentant des vapeurs d'huile ou poussiéreux.
- ❑ Ne placez pas l'imprimante sur une surface instable.
- ❑ Les fentes et ouvertures situées sur la partie arrière et sur la partie inférieure du boîtier sont destinées à assurer la ventilation. Ne les obstruez et ne les recouvrez pas. Ne placez pas l'imprimante sur un lit, un canapé, un tapis ou une surface similaire ou dans une installation intégrée (à moins qu'une ventilation adéquate soit fournie).
- ❑ Eloignez le système informatique et l'imprimante des sources potentielles d'interférences, notamment des enceintes acoustiques et des bases émettrices-réceptrices de téléphones sans fil.
- ❑ Prévoyez un espace suffisant autour de l'imprimante pour permettre une bonne ventilation.

Utilisation de l'imprimante

- ❑ Veillez à ne pas toucher l'unité de fixation qui porte la mention **ATTENTION**, ni la zone environnante. Si l'imprimante vient d'être utilisée, l'unité de fixation et la zone environnante sont probablement très chaudes. Si vous devez toucher ces zones, attendez 40 minutes de manière à ce que la chaleur se dissipe.



* **ATTENTION**

- ❑ N'introduisez pas la main profondément dans l'unité de fixation car certains composants sont tranchants et peuvent vous blesser.
- ❑ N'insérez aucun objet dans les fentes du boîtier. Les objets pourraient entrer en contact avec des points de tension dangereux ou court-circuiter des pièces et entraîner des risques d'incendie ou de décharge électrique.
- ❑ Ne vous asseyez pas et ne vous appuyez pas sur l'imprimante. Ne placez pas d'objets lourds sur l'imprimante.
- ❑ N'utilisez aucun type de gaz combustibles dans ou à proximité de l'imprimante.
- ❑ Ne forcez jamais pour insérer un élément dans l'imprimante. Bien qu'elle soit robuste, une manipulation brutale pourrait l'endommager.
- ❑ Ne laissez pas du papier coincé dans l'imprimante. Cela pourrait entraîner une surchauffe de l'imprimante.
- ❑ Ne versez jamais aucun liquide sur l'imprimante.
- ❑ N'intervenez que sur les commandes mentionnées dans les instructions d'utilisation. Tout réglage inadapté risquerait d'endommager l'imprimante et nécessiterait l'intervention d'un technicien qualifié.

- Ne mettez pas l'imprimante hors tension :
 - Une fois l'imprimante sous tension, attendez que Prête s'affiche sur l'écran LCD.
 - Lors de l'impression ou au cours d'autres opérations, par exemple l'écriture de données sur des périphériques externes.
- Sauf indication contraire dans ce manuel, évitez de toucher les composants internes de l'imprimante.
- Suivez l'ensemble des avertissements et des instructions figurant sur l'imprimante.
- Sauf indication contraire dans la documentation de l'imprimante, ne tentez pas de réparer le produit vous-même.
- Déconnectez régulièrement la fiche de la prise électrique et nettoyez les lames.
- Ne déconnectez pas la fiche lorsque l'imprimante est sous tension.
- Si vous n'utilisez pas l'imprimante pendant une longue période de temps, déconnectez la fiche de la prise électrique.
- Débranchez l'imprimante de la prise murale avant de procéder au nettoyage.
- Utilisez un chiffon bien essoré pour le nettoyage. N'utilisez pas de produits de nettoyage liquides ou en aérosol.
- Veillez à toujours maintenir l'imprimante en position horizontale lors de son déplacement.
- Ne retirez pas de force le papier coincé. S'il se déchire, il sera difficile à retirer et pourrait causer d'autres bourrages. Tirez délicatement et fermement le papier de manière à ne pas le déchirer, à ne pas tomber et à ne pas vous blesser.
- Ne tirez pas sur le câble d'alimentation pour débrancher la prise. Veillez à toujours tirer sur la prise pour la débrancher.
- Ne faites pas glisser le bord du papier contre votre peau, vous risqueriez de vous couper.
- Avant de transporter l'imprimante, éteignez-la et débranchez le câble d'alimentation de la prise électrique. Veillez à déconnecter tous les câbles.

Manipulation des consommables

- Ne brûlez pas les consommables usagées : ils peuvent exploser et blesser quelqu'un. Pour vous en débarrasser, conformez-vous à la réglementation en vigueur dans votre région.
- Conservez les consommables hors de portée des enfants.

- ❑ Lorsque vous manipulez une cartouche d'imagerie, posez-la toujours sur une surface propre et lisse.
- ❑ Ne tentez pas de toucher aux cartouches d'imagerie, ni de les ouvrir.
- ❑ Ne touchez pas le toner. Maintenez toujours le toner à distance de vos yeux. En cas de contact du toner avec la peau ou les vêtements, lavez immédiatement à l'eau et au savon.
- ❑ Si du toner a été renversé, nettoyez-le avec un balai et une pelle à poussière ou bien à l'eau et au savon avec un chiffon. Les fines particules pouvant provoquer un incendie ou une explosion au contact d'une étincelle, n'utilisez pas d'aspirateur.
- ❑ Si vous déplacez une cartouche d'imagerie d'un environnement froid vers un environnement chaud, laissez-la reposer une heure au moins avant de l'utiliser afin d'éviter tout dommage dû à la condensation.
- ❑ Pour obtenir une qualité d'impression optimale, ne stockez pas la cartouche d'imagerie dans un endroit exposé à la lumière directe, à la poussière, à un environnement salin ou à des gaz corrosifs tels que de l'ammoniaque. Évitez les endroits soumis à de brusques variations de température et de taux d'humidité.
- ❑ Lors du retrait de la cartouche d'imagerie, ne l'exposez pas à la lumière du soleil et évitez de l'exposer à la lumière ambiante plus de cinq minutes. La cartouche d'imagerie contient un tambour photosensible. L'exposition à la lumière risque de l'endommager, entraînant l'apparition de zones anormalement sombres ou claires sur la page imprimée et une diminution de sa durée de vie. Si vous devez conserver la cartouche d'imagerie hors de l'imprimante pendant une période prolongée, recouvrez-la d'un tissu opaque.
- ❑ Veillez à ne pas rayer la surface du tambour. Lorsque vous retirez la cartouche d'imagerie de l'imprimante, posez-la toujours sur une surface propre et lisse. Évitez de toucher le tambour, car le dépôt de matières organiques résultant d'un contact direct risque de l'endommager irrémédiablement et d'altérer la qualité de l'impression.

Informations en matière de sécurité

Étiquettes de sécurité relatives au laser



Avertissement :

La réalisation de procédures et de réglages autres que ceux définis dans la documentation de l'imprimante peut entraîner une exposition à des radiations dangereuses. Votre imprimante est un produit laser de classe 1, comme indiqué dans les spécifications IEC60825. L'étiquette représentée est apposée sur la partie arrière de l'imprimante dans les pays où elle est nécessaire.



Radiations laser internes

L'imprimante est équipée d'un ensemble à diode laser de classe III b, avec un rayon laser invisible, situé à l'intérieur de l'unité de la tête d'impression. L'unité de la tête de l'imprimante NE PEUT PAS FAIRE L'OBJET D'UN ENTRETIEN. Par conséquent, elle ne doit en aucun cas être ouverte. Une étiquette d'avertissement supplémentaire, relative au laser, est apposée à l'intérieur de l'imprimante.



Sécurité relative à l'ozone

Emission d'ozone

De l'ozone est généré par les imprimantes laser lors du processus d'impression. La production d'ozone a uniquement lieu lorsque l'imprimante procède à des impressions.

Limite d'exposition à l'ozone

L'imprimante laser Epson génère moins de 3 mg/h en impression continue.

Réduction des risques

Afin de réduire les risques d'exposition à l'ozone, nous vous recommandons d'éviter les conditions suivantes :

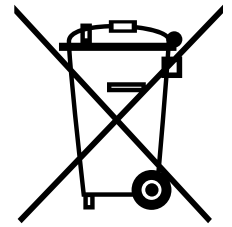
- Utilisation de plusieurs imprimantes laser dans un lieu confiné.
- Utilisation de l'imprimante lorsque le taux d'humidité est extrêmement faible.
- Ventilation insatisfaisante de la pièce.
- Impression prolongée et continue dans une des conditions susmentionnées.

Emplacement de l'imprimante

L'imprimante doit être positionnée de manière à ce que les gaz d'échappement et la chaleur générés soient :

- projetés à distance du visage de l'utilisateur,
- Expulsés du bâtiment aussi rapidement que possible.

Battery Addendum



English

The crossed out wheeled bin label that can be found on your product indicates that this product and incorporated batteries should not be disposed of via the normal household waste stream. To prevent possible harm to the environment or human health please separate this product and its batteries from other waste streams to ensure that it can be recycled in an environmentally sound manner. For more details on available collection facilities please contact your local government office or the retailer where you purchased this product. Use of the chemical symbols Pb, Cd or Hg indicates if these metals are used in the battery.

Deutsch

Der Aufkleber mit durchgekrenzter Mülltonne an diesem Produkt weist darauf hin, dass dieses Produkt und darin enthaltene Batterien nicht im normalen Hausmüll entsorgt werden dürfen. Zur Vermeidung einer möglichen Beeinträchtigung der Umwelt oder der menschlichen Gesundheit und um zu gewährleisten, dass es in einer umweltverträglichen Weise recycelt wird, darf dieses Produkt mitsamt den Batterien nicht in den Hausmüll gegeben werden. Informationen zu Entsorgungseinrichtungen erhalten Sie bei der zuständigen Behörde oder dem Händler, bei dem Sie dieses Produkt erworben haben. Die Angabe der chemischen Zeichen Pb, Cd oder Hg bedeutet, dass diese Metalle in der Batterie verwendet werden.

Français

L'étiquette apposée sur ce produit et représentant une poubelle barrée indique que le produit et les piles intégrées ne peuvent être mis au rebut avec les déchets domestiques normaux. Afin d'éviter d'éventuels dommages au niveau de l'environnement ou sur la santé, veuillez séparer ce produit et ses piles des autres déchets de manière à garantir qu'ils soient recyclés de manière sûre au niveau environnemental. Pour plus de détails sur les sites de collecte existants, veuillez contacter l'administration locale ou le détaillant auprès duquel vous avez acheté ce produit. Les symboles chimiques Pb, Cd et Hg sont utilisés pour désigner les métaux présents dans les piles.

Italiano

L'etichetta con il contenitore barrato applicata sull'imballo indica che il prodotto e le batterie incluse non devono essere smaltiti tramite la procedura normale di smaltimento dei rifiuti domestici. Per evitare eventuali danni all'ambiente e alla salute umana, separare questo prodotto e le relative batterie da altri rifiuti domestici in modo che possano essere riciclati in base alle procedure di rispetto dell'ambiente. Per maggiori dettagli sulle strutture di raccolta disponibili, contattare l'ufficio competente del proprio comune o il rivenditore del prodotto. L'uso dei simboli chimici Pb, Cd o Hg indica la presenza di tali metalli nelle batterie.

Español

La etiqueta de un contenedor tachado que hallará en su producto indica que este producto y sus pilas no se pueden tirar con la basura doméstica normal. Para impedir posibles daños medioambientales o para la salud, separe este producto y sus pilas de otros canales de desecho para garantizar que se recicle de una forma segura para el medio ambiente. Para más información sobre las instalaciones de recolección disponibles, diríjase a las autoridades locales o al punto de venta donde adquirió este producto. Los símbolos químicos Pb, Cd o Hg indican que las pilas contienen ese metal.

Português

A etiqueta com o símbolo de um contentor de lixo traçado com uma cruz que aparece no produto indica que este produto e as pilhas incluídas não devem ser deitados fora juntamente com o lixo doméstico. Para evitar possíveis danos no ambiente ou na saúde pública, por favor separe este produto e respectivas pilhas de outros lixos; desta forma, terá a certeza de que podem ser reciclados através de métodos não prejudiciais ao ambiente. Para obter mais informações sobre os locais de recolha de lixo disponíveis, contacte a sua junta de freguesia, câmara municipal ou local onde comprou este produto. A utilização dos símbolos químicos Pb, Cd ou Hg indica se estes metais são utilizados na pilha.

Nederlands

Op uw product is een label van een rolcontainer met een kruis erdoor aangebracht. Dit label wil zeggen dat dit product en de batterijen in het product niet bij het normale huishoudelijk afval mogen worden ingezameld. Om eventuele schade aan het milieu of de gezondheid van de mens te voorkomen moeten dit product en de batterijen gescheiden van al het ander afval worden ingezameld, zodat alles op een verantwoorde wijze kan worden verwerkt. Voor meer informatie over uw lokale afvalinzameling wendt u zich tot uw gemeente of de leverancier bij wie u dit product hebt gekocht. Gebruik van de chemische symbolen Pb, Cd of Hg geeft aan of deze metalen worden gebruikt in de batterij.

Dansk

Etiketten med et kryds over skraldespanden på hjul, der sidder på produktet, angiver, at dette produkt og dets batterier ikke må bortskaffes sammen med almindeligt husholdningsaffald. For at beskytte miljø og helbred skal dette produkt og dets batterier bortskaffes separat, så disse dele kan genbruges på en måde, der er god for miljøet. Kontakt de lokale myndigheder eller den forhandler, hos hvem du har købt produktet, vedrørende steder, hvor du kan aflevere produktet. Brugen af de kemiske symboler Pb, Cd eller Hg angiver, om disse metaller er anvendt i batteriet.

Suomi

Laitte on merkitty jäteastia-symbolilla, jonka yli on vedetty rasti. Tämä tarkoittaa, ettei laitetta tai siihen kuuluvia paristoja saa hävittää normaalin talousjätteen mukana. Älä hävitä laitetta tai sen paristoja normaalin jätteen seassa vaan varmista, että laite kierrätetään ympäristöystävällisellä tavalla, jottei ympäristölle tai ihmisille aiheudu vahinkoa. Lisätietoja kierrätyksestä ja keräyspisteistä saa ottamalla yhteyttä paikallisiin viranomaisiin tai jälleenmyyjään, jolta laite ostettiin. Kemiallisten merkien Pb (lyijy), Cd (kadmium) tai Hg (elohopea) käyttö ilmaisee, että paristo sisältää kyseistä metallia.

Svenska

Symbolen med en överkorsad soptunna innebär att denna produkt och tillhörande batterier inte får kastas i vanligt hushållsavfall. För att skydda miljön ska denna produkt och dess batterier inte kastas tillsammans med vanligt hushållsavfall utan lämnas för återvinning på tillbörligt sätt. För mer information om uppsamlingsplatser kontakta din lokala myndighet eller den återförsäljare där du har köpt produkten. De kemiska symbolerna Pb, Cd eller Hg visar om dessa metaller används i batteriet.

Norsk

Etiketten på hjulbeholderen på produktet ditt antyder at produktet og batteriene som hører med, ikke skal avhendes sammen med vanlig husholdningsavfall. Hold produktet og batteriene atskilt fra annet avfall, slik at det kan resirkuleres på en miljømessig og forsvarlig måte og dermed forhindre eventuell skade på miljø eller helse. Kontakt lokale myndigheter, eller din forhandler, for mer informasjon angående avhenting av produktet. De kjemiske symbolene Pb, Cd og Hg antyder om disse metallene har blitt brukt i batteriet.

Česky

Štítek s přeškrtnutým odpadkovým košem na kolečkách, který lze nalézt na výrobku, označuje, že se tento výrobek a přiložené baterie nemají likvidovat s běžným domovním odpadem. V zájmu ochrany životního prostředí a lidského zdraví zlikvidujte tento výrobek a jeho baterie jako tříděný odpad, který se recykluje způsobem šetrným k životnímu prostředí. Podrobnější informace o sběrných dvorech pro tříděný odpad získáte na obecním úřadě nebo u prodejce, u kterého jste tento výrobek zakoupili. Použité chemické značky Pb, Cd nebo Hg označují, zda baterie obsahuje tyto kovy.

Magyar

A termékén található, áthúzott szemetest ábrázoló címke azt jelzi, hogy ezt a terméket és a hozzá tartozó elemeket nem szabad a rendes háztartási szeméttel együtt kidobni. Az esetleges környezeti- vagy egészségkárosodást megelőzendő, kérjük, hogy ezt a terméket és az elemeket a többi szeméttől elkülönítve helyezze el, és biztosítsa, hogy azt környezetbarát módon újrahasznosítsák. A rendelkezésére álló begyűjtő létesítményekről kérjük tájékozódjon a megfelelő helyi állami szerveknél vagy a viszonteladónál, ahol a terméket vásárolta. A Pb, Cd vagy Hg vegyjelek jelzik, ha ilyen fémeket is felhasználtak az elem gyártása során.

Polski

Symbol przekreślonego kosza znajdujący się na produkcie oznacza, że nie można produktu oraz wewnętrzznego akumulatora utylizować razem z normalnymi odpadami z gospodarstwa domowego. Aby zapobiec potencjalnemu zagrożeniu dla środowiska lub zdrowia ludzkiego, produkt oraz wewnętrzny akumulator należy odseparować od reszty odpadów z gospodarstwa domowego i utylizować w ekologicznie właściwy sposób. Szczegółowe informacje na temat punktów zbiórki odpadów można uzyskać w lokalnych urzędach lub u sprzedawcy danego produktu. Symbole chemiczne Pb, Cd lub Hg oznaczają, że metale te zostały zastosowane w akumulatorze.

Slovensky

Štítok s preškrtnutým odpadkovým košom na kolieskach, ktorý je možné nájsť na výrobku, označuje, že tento produkt a obsiahnuté batérie sa nemajú likvidovať s bežným komunálnym odpadom. V záujme ochrany životného prostredia a ľudského zdravia zlikvidujte tento výrobok a batérie ako triedený odpad, ktorý sa recykluje spôsobom šetrným k životnému prostrediu. Podrobnejšie informácie o zberných dvoroch pre triedený odpad získate na obecnom úrade alebo u predajcu, u ktorého ste príslušný výrobok zakúpili. Použitie chemických značiek Pb, Cd alebo Hg znamená, že tieto kovy sú použité v batériách.

Slovenski

Prečrtan koš za smeti na etiketi, katero lahko najdete na vašem izdelku, pomeni, da niti tega izdelka niti njegovih baterij ne smete odvreči podobno kot vse ostale smeti. Da bi preprečili morebitne škodljive vplive na okolje ali zdravje, ločite izdelek in njegove baterije od vseh ostalih odpadkov in poskrbite, da bodo reciklirani na okolju prijazen način. Natančne informacije o tem, kje se nahajajo primerna odlagališča, pridobite v vašem krajevnem uradu ali pri prodajalcu. Kemijski simboli Pb, Cd in Hg označujejo, katere kovine vsebuje baterija.

Eesti

Teie tootele kleebitud tähis, mis kujutab ratastega prügikonteinerit, millele on rist peale tõmmatud, keelab toote ja sellega kaasasolevate patareide kõrvaldamise majapidamisjäätmetega sarnasel viisil. Keskkonnale või inimeste tervisele tekitava võimaliku kahju vältimiseks eraldage toode ja selle patareid teistest jäätmetest, et tagada nende korduvkasutamise keskkonnasäästlikul viisil. Kui soovite saada rohkem teavet võimalike kogumispunktide kohta, võtke ühendust kohaliku omavalituse ametnikuga või teile toote müünud jaemüüjaga. Keemiliste sümbolite Pb, Cd või Hg kasutamise näitab, kas tootes on vastavaid metalle kasutatud.

Lietuviškai

Užbraukta ratuota šiukšliadėžės etiketė, kurią rasite ant jūsų produkto, reiškia, kad šis produktas ir pridedamos baterijos neturėtų būti išmestas kartu su įprastinėmis buitinėmis šiukšlėmis. Siekiant išvengti galimos žalos aplinkai bei žmonių sveikatai, prašome atskirti šį produktą ir pridedamas baterijas nuo kitų atliekų, ir įsitikinti, kad jis būtų perdirbtas aplinkai nepavojingu būdu. Jei reikia išsamesnės informacijos apie atliekų surinkimo ypatumus, prašome kreiptis į savo vietos valdžios įstaigas arba į mažmeninį pardavėją, iš kurio jūs įsigijote šį produktą. Atitinkamų metalų naudojimas baterijose yra pažymėtas cheminiais simboliais Pb, Cd arba Hg ant baterijų.

Latviski

Marķējums ar pārsvīrotu atkritumu tvertni uz ritenīšiem, kas redzams uz izstrādājuma, norāda, ka šo izstrādājumu un tajā iekļautās baterijas nedrīkst likvidēt kopā ar parastajiem sadzīves atkritumiem. Lai novērstu iespējamo kaitējumu videi vai cilvēku veselībai, lūdzu, atdaliet šo izstrādājumu un tā baterijas no citiem atkritumiem, tādējādi nodrošinot tā otrreizējo pārstrādi videi drošā veidā. Papildinformācijai par pieejamajām atkritumu savākšanas iespējām, lūdzu, sazinieties ar vietējo pašvaldību vai mazumtirgotāju, no kura jūs iegādājāties šo izstrādājumu. Ķīmisko simbolu Pb, Cd un Hg izmantošana uz marķējuma nozīmē, ka šie metāli ir izmantoti baterijā.

Ελληνικά

Η διαγραμμένη ετικέτα του τροχοφόρου κάδου απορριμμάτων που θα βρείτε πάνω στο προϊόν σας υποδεικνύει ότι αυτό το προϊόν και οι ενσωματωμένες μπαταρίες δεν πρέπει να απορρίπτεται μέσω του κανονικού δικτύου αποκομιδής οικιακών απορριμμάτων. Για να αποτρέψετε πιθανές επιπτώσεις στο περιβάλλον ή την ατομική υγεία, παρακαλούμε να διαχωρίσετε αυτό το προϊόν και τις μπαταρίες του από άλλα δίκτυα αποκομιδής ώστε να διασφαλίσετε ότι είναι δυνατή η ανακύκλωσή του με έναν περιβαλλοντικά θεμιτό τρόπο. Για περισσότερες πληροφορίες σχετικά με τις διαθέσιμες δυνατότητες συλλογής απορριμμάτων, παρακαλούμε να επικοινωνήσετε με την τοπική κυβερνητική αρχή ή το κατάστημα λιανικής από όπου αγοράσατε αυτό το προϊόν. Η χρήση των χημικών συμβόλων Pb, Cd ή Hg υποδεικνύει εάν χρησιμοποιούνται τα μέταλλα αυτά στην μπαταρία.

Türkçe

Ürününüzün üzerinde bulunan çarpi işaretli tekerlekli kutu etiketi, bu ürünün ve beraberinde gelen pillerin normal ev atık sistemi vasıtasıyla elden çıkarılmaması gerektiğini gösterir. Çevreye ve insan sağlığına zarar vermeyei önlemek için, lütfen bu ürünü ve pillerini çevreye zarar vermeyecek şekilde geri dönüşüme tabi tutulmak üzere diğer atıklardan ayırın. Mevcut toplama tesisleri ile ilgili ayrıntılı bilgi edinmek için, yerel devlet makamlarıyla veya bu ürünü satın aldığınız satıcıyla irtibata geçin. Pb, Cd veya Hg kimyasal sembollerinin kullanılması, bu metallerin pillerin üretiminde kullanılıp kullanılmadığını ifade eder.

Română

Eticheta arătând un coș de gunoi tăiat cu două linii încrucișate, care poate fi găsită pe produs, indică faptul că acesta și bateriile încorporate nu trebuie aruncate la gunoi laolaltă cu gunoiul menajer. Pentru a evita posibila degradare a mediului înconjurător sau a sănătății umane, colectați separat acest produs și bateriile încorporate și nu împuneți cu gunoiul menajer pentru a vă asigura că acestea pot fi reciclate într-un mod ecologic. Pentru mai multe detalii privind punctele disponibile de colectare, contactați autoritățile locale sau comerciantul de la care ați achiziționat acest produs. Utilizarea simbolurilor unor substanțe chimice precum Pb, Cd sau Hg indică faptul că aceste metale sunt utilizate în baterie.

Български

Етикетът, представляващ зачертано кошче за боклук в кръг, който можете да видите върху вашия продукт, означава, че този продукт и батериите към него не трябва да се изхвърлят заедно с обикновените домакински отпадъци. За предпазване от евентуални щети върху околната среда или човешкото здраве, моля, отделете този продукт и батериите му от останалите отпадъци, за да се гарантира, че той ще бъде рециклиран по екологично съобразен начин. За повече информация относно наличните места за събиране на отпадъци, моля, свържете се с местните власти или търговеца, от когото сте закупили този продукт. Химическите символи Pb, Cd и Hg подсочват дали съответните метали са използвани в батерията.

This information only applies to customers in the European Union, according to DIRECTIVE 2006/66/EC OF THE EUROPEAN PARLIAMENT AND OF THE COUNCIL OF 6 September 2006 on batteries and accumulators and waste batteries and accumulators and repealing Directive 91/157/EEC and legislation transposing and implementing it into the various national legal systems.

For other countries, please contact your local government to investigate the possibility of recycling your product.

Avvertenze per la sicurezza

Convenzioni usate nel manuale

**Avvertenza**

Osservare attentamente per evitare danni personali.

**Attenzione**

Osservare attentamente per evitare danni alle apparecchiature.

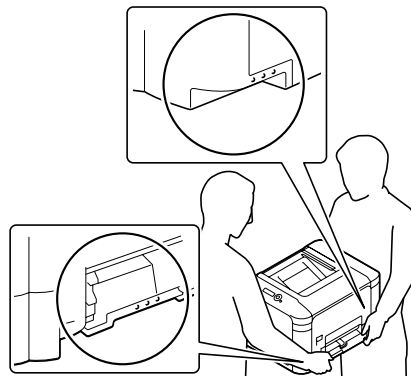
Nota

Contiene informazioni importanti e suggerimenti utili sul funzionamento della stampante.

Importanti norme di sicurezza

Configurazione della stampante

- ❑ Poiché la stampante pesa circa 27 kg con i materiali di consumo installati, una persona da sola non deve sollevarla o trasportarla. Sono necessarie due persone, che devono sollevare la stampante afferrandola nei punti illustrati nella figura seguente.



- ❑ Se non è possibile inserire la spina CA in una presa elettrica, rivolgersi a un elettricista.

- ❑ Assicurarsi che il cavo di alimentazione CA sia conforme alle normative locali di sicurezza. Utilizzare esclusivamente il cavo di alimentazione fornito con questo prodotto. L'uso di un altro cavo può provocare rischi di incendio o scossa elettrica. Il cavo di alimentazione di questo prodotto deve essere utilizzato esclusivamente con questo prodotto. L'uso con altre apparecchiature può comportare rischi di incendio o scossa elettrica.
- ❑ Se la spina è danneggiata, sostituire il cavo di alimentazione o rivolgersi ad un elettricista qualificato. Se sono presenti fusibili nella spina, assicurarsi di sostituirli con fusibili di dimensioni e tensione nominale corretti.
- ❑ Utilizzare una presa di corrente con messa a terra adatta alla spina del cavo di alimentazione della stampante. Non utilizzare adattatori.
- ❑ Non utilizzare una presa di corrente controllata da interruttori a muro o da timer automatici. L'interruzione accidentale di elettricità può causare la perdita di dati importanti contenuti nelle memorie del computer e della stampante.
- ❑ Assicurarsi che non vi sia polvere nella presa.
- ❑ Accertarsi di inserire la spina a fondo nella presa elettrica.
- ❑ Non maneggiare la spina con mani umide.
- ❑ Se si verificano le condizioni che seguono, scollegare la stampante dalla presa a parete e rivolgersi a un tecnico qualificato:
 - A. Se il cavo di alimentazione o la spina è danneggiato o sfilacciato.
 - B. Se del liquido è penetrato nella stampante.
 - C. Se la stampante è stata esposta alla pioggia o all'acqua.
 - D. Se non funziona normalmente nonostante siano state seguite le istruzioni per l'uso. Intervenire esclusivamente sui comandi riportati nelle istruzioni per l'uso, in quanto la regolazione impropria di altri comandi può produrre danneggiamenti e richiedere interventi prolungati da parte di un tecnico qualificato per il ripristino del normale funzionamento del prodotto.
 - E. Se la stampante è caduta o il telaio è stato danneggiato.
 - F. Se la stampante mostra evidenti cambiamenti prestazionali che indicano la necessità di un intervento.
- ❑ Evitare di collegare la stampante a prese di corrente a cui sono collegati altri dispositivi.

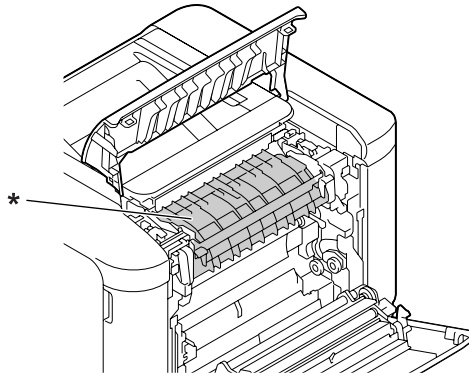
- ❑ Collegare tutte le apparecchiature a prese di alimentazione dotate di messa a terra. Evitare l'uso di prese che si trovano sullo stesso circuito di fotocopiatrici o sistemi di aerazione che si accendono e spengono regolarmente.
- ❑ Collegare la stampante a una presa elettrica conforme ai requisiti di alimentazione della periferica. Tali requisiti sono specificati su un'etichetta presente sulla stampante. Se non si è certi delle specifiche di alimentazione locali, rivolgersi alla società erogatrice o al proprio rivenditore.
- ❑ Se si utilizza una prolunga, assicurarsi che l'amperaggio totale dei prodotti collegati alla prolunga non superi l'amperaggio nominale previsto dalla prolunga.
- ❑ Quando si collega questo prodotto a un computer o altro dispositivo tramite cavo, assicurarsi del corretto orientamento dei connettori. Ciascun connettore dispone di un singolo particolare orientamento. Se un connettore viene inserito con l'orientamento errato, possono verificarsi danneggiamenti ai dispositivi collegati tramite il cavo.
- ❑ Quando si usa l'unità cassetta opzionale, fare attenzione a installare correttamente i piedini di posizionamento. Per istruzioni su come installare i piedini di posizionamento fare riferimento alla Guida utente.

Posizionamento della stampante

- ❑ Collocare la stampante in prossimità di una presa elettrica dalla quale sia possibile collegare e scollegare facilmente il cavo di alimentazione.
- ❑ Non collocare la stampante in modo che il cavo possa venire calpestato.
- ❑ Non utilizzare la stampante in un ambiente umido.
- ❑ Evitare di esporre la stampante alla luce diretta del sole, a fonti di calore elevato, all'umidità, a vapori di benzine o alla polvere.
- ❑ Non collocare la stampante su una superficie poco stabile.
- ❑ Le fessure e le aperture nel telaio e sul retro o sul fondo della stampante sono studiate per la ventilazione. Non ostruirle o coprirle. Non collocare la stampante su letti, divani, tappeti o superfici simili o in scaffalature chiuse non dotate di ventilazione adeguata.
- ❑ Tenere il computer e la stampante lontano da potenziali fonti di interferenza, ad esempio altoparlanti o basi di telefoni cordless.
- ❑ Assicurarsi che intorno alla stampante vi sia spazio sufficiente per un'adeguata ventilazione.

Uso della stampante

- ❑ Fare attenzione a non toccare né il fusore, contrassegnato dall'etichetta **ATTENZIONE** né le aree circostanti. Se la stampante è in funzione da un certo periodo di tempo, il fusore e queste aree possono raggiungere temperature molto elevate. Se risulta necessario toccare una di tali aree, attendere prima 40 minuti affinché il calore venga attenuato.



* **ATTENZIONE**

- ❑ Non introdurre la mano nell'unità fusore. Alcuni componenti sono taglienti e possono provocare lesioni.
- ❑ Non spingere oggetti di alcun tipo attraverso le fessure sul telaio, in quanto possono toccare punti a tensione pericolosa o provocare il cortocircuito di parti con conseguente rischio di incendio o scossa elettrica.
- ❑ Non sedersi o poggiare sulla stampante. Non collocare oggetti pesanti sulla stampante.
- ❑ Non utilizzare gas combustibili sulla stampante o vicino ad essa.
- ❑ Non forzare mai i componenti nelle operazioni di montaggio. Sebbene sia costituita da materiali molto resistenti, la stampante può comunque danneggiarsi se maneggiata impropriamente.
- ❑ Rimuovere sempre la carta inceppata dalla stampante per evitare un surriscaldamento.
- ❑ Non versare liquidi di alcun tipo sulla stampante.
- ❑ Effettuare unicamente le regolazioni dei controlli per cui vengono fornite le istruzioni, per non causare alla stampante un danno che richieda l'intervento di personale qualificato.

- Non spegnere la stampante nei seguenti casi:
 - Dopo avere acceso la stampante, attendere che il messaggio Ready (Pronta) venga visualizzato sul pannello LCD.
 - Durante la stampa o durante altre operazioni, come ad esempio scrittura di dati su dispositivi esterni.
- Non toccare i componenti interni della stampante, salvo quando diversamente specificato nelle istruzioni riportate in questa guida.
- Osservare tutte le avvertenze e istruzioni applicate sulla stampante.
- Tranne per quanto specificatamente descritto nella documentazione della stampante, non effettuare riparazioni sul prodotto autonomamente.
- Scollegare periodicamente la spina dalla presa elettrica e pulire gli spinotti.
- Non scollegare la spina quando la stampante è accesa.
- Se la stampante non verrà utilizzata per un periodo prolungato, scollegare la spina dalla presa elettrica.
- Prima di pulire questa stampante, scollegarla dalla presa di corrente.
- Utilizzare un panno ben strizzato per la pulizia ed evitare l'uso di detergenti liquidi o spray.
- Durante gli spostamenti, tenere sempre la stampante in posizione orizzontale.
- Non rimuovere con forza la carta inceppata. La carta strappata può essere difficile da rimuovere e potrebbe causare ulteriori inceppamenti. Tirare la carta delicatamente e fermamente per evitare di strapparla, cadere e procurarsi lesioni.
- Non staccare mai la spina tirando il cavo. Afferrare sempre la spina per staccarla.
- Evitare che il bordo della carta scorra lungo la pelle, in quanto esiste il rischio di tagli.
- Quando si trasporta la stampante, spegnerla e staccare il cavo di alimentazione dalla presa elettrica. Fare attenzione a staccare tutti i cavi.

Uso dei materiali di consumo

- Non bruciare i materiali di consumo usati, in quanto possono esplodere e causare lesioni alla persona. Lo smaltimento deve essere effettuato in conformità alle norme vigenti.
- Tenere i materiali di consumo fuori dalla portata dei bambini.

- ❑ Quando occorre maneggiare una cartuccia di imaging, appoggiarla sempre su una superficie piana pulita.
- ❑ Non cercare di alterare o estrarre la cartuccia di imaging.
- ❑ Non toccare il toner. Evitare qualsiasi contatto del toner con gli occhi. Se il toner viene a contatto con la pelle o con i vestiti, lavare immediatamente con acqua e sapone.
- ❑ Se fuoriesce del toner, utilizzare una spazzola e una paletta oppure un panno inumidito con acqua e detergente per eliminarlo. Poiché le particelle possono provocare un incendio o un'esplosione se entrano in contatto con una scintilla, non utilizzare un aspirapolvere.
- ❑ Se la cartuccia di imaging viene spostata da un ambiente freddo a uno riscaldato, attendere almeno un'ora prima di installarla al fine di evitare danni causati dalla condensa.
- ❑ Per ottenere una qualità di stampa ottimale, non esporre la cartuccia di imaging alla luce diretta del sole ed evitare il contatto con polvere, salsedine o gas corrosivi, ad esempio l'ammoniaca. Non collocare l'unità in luoghi soggetti a repentini sbalzi di temperatura o umidità.
- ❑ Quando si rimuove la cartuccia di imaging, non esporla mai alla luce del sole ed evitare di esporla alla luce artificiale per più di cinque minuti. La cartuccia di imaging contiene un tamburo fotosensibile. L'esposizione alla luce può danneggiare il tamburo, riducendone la vita utile e determinando la comparsa di aree scure o chiare sui documenti stampati. Se è necessario che la cartuccia di imaging non sia installata nella stampante per un periodo di tempo lungo, coprirla con un panno opaco.
- ❑ Assicurarsi di non graffiare la superficie del tamburo. Quando si rimuove la cartuccia di imaging dalla stampante, collocarla sempre su una superficie piana pulita. Evitare di toccare il tamburo. Le sostanze oleose presenti sulla cute potrebbero danneggiare la superficie del tamburo in modo permanente, compromettendo così la qualità di stampa.

Informazioni per la sicurezza

Etichette di sicurezza laser



Avvertenza:

L'esecuzione di procedure e regolazioni diverse da quanto specificato nella documentazione della stampante può comportare esposizioni pericolose alle radiazioni. Questa stampante è un prodotto laser di Classe 1 come riportato nelle specifiche IEC60825. L'etichetta illustrata è riportata sul retro della stampante nei paesi dove ciò è richiesto.



Radiazione laser interna

Prodotto con gruppo diodo laser di Classe III b con raggio laser invisibile all'interno dell'unità principale della stampante. L'unità principale della stampante NON È UNA PARTE RIPARABILE; pertanto, tale unità non deve essere aperta per alcun motivo. Un'etichetta di avviso laser supplementare è situata all'interno della stampante.



Norme di sicurezza per l'ozono

Emissione di ozono

Il gas ozono viene generato dalle stampanti laser come prodotto derivato dal processo di stampa. L'ozono viene prodotto soltanto durante la fase di stampa.

Limite di esposizione all'ozono

La stampante laser Epson genera un valore inferiore a 3 mg/h di stampa continua.

Riduzione dei rischi

Per ridurre al minimo il rischio di esposizione all'ozono, evitare le condizioni seguenti:

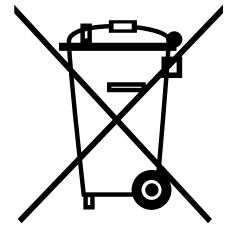
- Uso di più stampanti laser in un'area limitata
- Uso in condizioni di umidità estremamente bassa
- Uso in locali con ventilazione inadeguata
- Stampa prolungata associata alle condizioni precedentemente esposte

Posizione della stampante

La stampante deve essere collocata in modo che i gas di scarico e il calore generati:

- Non vengano espulsi direttamente in direzione del viso dell'utente.
- Vengano indirizzati direttamente all'esterno del locale, quando possibile

Battery Addendum



English

The crossed out wheeled bin label that can be found on your product indicates that this product and incorporated batteries should not be disposed of via the normal household waste stream. To prevent possible harm to the environment or human health please separate this product and its batteries from other waste streams to ensure that it can be recycled in an environmentally sound manner. For more details on available collection facilities please contact your local government office or the retailer where you purchased this product. Use of the chemical symbols Pb, Cd or Hg indicates if these metals are used in the battery.

Deutsch

Der Aufkleber mit durchgekrenzter Mülltonne an diesem Produkt weist darauf hin, dass dieses Produkt und darin enthaltene Batterien nicht im normalen Hausmüll entsorgt werden dürfen. Zur Vermeidung einer möglichen Beeinträchtigung der Umwelt oder der menschlichen Gesundheit und um zu gewährleisten, dass es in einer umweltverträglichen Weise recycelt wird, darf dieses Produkt mitsamt den Batterien nicht in den Hausmüll gegeben werden. Informationen zu Entsorgungseinrichtungen erhalten Sie bei der zuständigen Behörde oder dem Händler, bei dem Sie dieses Produkt erworben haben. Die Angabe der chemischen Zeichen Pb, Cd oder Hg bedeutet, dass diese Metalle in der Batterie verwendet werden.

Français

L'étiquette apposée sur ce produit et représentant une poubelle barrée indique que le produit et les piles intégrées ne peuvent être mis au rebut avec les déchets domestiques normaux. Afin d'éviter d'éventuels dommages au niveau de l'environnement ou sur la santé, veuillez séparer ce produit et ses piles des autres déchets de manière à garantir qu'ils soient recyclés de manière sûre au niveau environnemental. Pour plus de détails sur les sites de collecte existants, veuillez contacter l'administration locale ou le détaillant auprès duquel vous avez acheté ce produit. Les symboles chimiques Pb, Cd et Hg sont utilisés pour désigner les métaux présents dans les piles.

Italiano

L'etichetta con il contenitore barrato applicata sull'imballo indica che il prodotto e le batterie incluse non devono essere smaltiti tramite la procedura normale di smaltimento dei rifiuti domestici. Per evitare eventuali danni all'ambiente e alla salute umana, separare questo prodotto e le relative batterie da altri rifiuti domestici in modo che possano essere riciclati in base alle procedure di rispetto dell'ambiente. Per maggiori dettagli sulle strutture di raccolta disponibili, contattare l'ufficio competente del proprio comune o il rivenditore del prodotto. L'uso dei simboli chimici Pb, Cd o Hg indica la presenza di tali metalli nelle batterie.

Español

La etiqueta de un contenedor tachado que hallará en su producto indica que este producto y sus pilas no se pueden tirar con la basura doméstica normal. Para impedir posibles daños medioambientales o para la salud, separe este producto y sus pilas de otros canales de desecho para garantizar que se recicle de una forma segura para el medio ambiente. Para más información sobre las instalaciones de recolección disponibles, diríjase a las autoridades locales o al punto de venta donde adquirió este producto. Los símbolos químicos Pb, Cd o Hg indican que las pilas contienen ese metal.

Português

A etiqueta com o símbolo de um contentor de lixo traçado com uma cruz que aparece no produto indica que este produto e as pilhas incluídas não devem ser deitados fora juntamente com o lixo doméstico. Para evitar possíveis danos no ambiente ou na saúde pública, por favor separe este produto e respectivas pilhas de outros lixos; desta forma, terá a certeza de que podem ser reciclados através de métodos não prejudiciais ao ambiente. Para obter mais informações sobre os locais de recolha de lixo disponíveis, contacte a sua junta de freguesia, câmara municipal ou local onde comprou este produto. A utilização dos símbolos químicos Pb, Cd ou Hg indica se estes metais são utilizados na pilha.

Nederlands

Op uw product is een label van een rolcontainer met een kruis erdoor aangebracht. Dit label wil zeggen dat dit product en de batterijen in het product niet bij het normale huishoudelijk afval mogen worden ingezameld. Om eventuele schade aan het milieu of de gezondheid van de mens te voorkomen moeten dit product en de batterijen gescheiden van al het ander afval worden ingezameld, zodat alles op een verantwoorde wijze kan worden verwerkt. Voor meer informatie over uw lokale afvalinzameling wendt u zich tot uw gemeente of de leverancier bij wie u dit product hebt gekocht. Gebruik van de chemische symbolen Pb, Cd of Hg geeft aan of deze metalen worden gebruikt in de batterij.

Dansk

Etiketten med et kryds over skraldespanden på hjul, der sidder på produktet, angiver, at dette produkt og dets batterier ikke må bortskaffes sammen med almindeligt husholdningsaffald. For at beskytte miljø og helbred skal dette produkt og dets batterier bortskaffes separat, så disse dele kan genbruges på en måde, der er god for miljøet. Kontakt de lokale myndigheder eller den forhandler, hos hvem du har købt produktet, vedrørende steder, hvor du kan aflevere produktet. Brugen af de kemiske symboler Pb, Cd eller Hg angiver, om disse metaller er anvendt i batteriet.

Suomi

Laitte on merkitty jäteastia-symbolilla, jonka yli on vedetty rasti. Tämä tarkoittaa, ettei laitetta tai siihen kuuluvia paristoja saa hävittää normaalin talousjätteen mukana. Älä hävitä laitetta tai sen paristoja normaalin jätteen seassa vaan varmista, että laite kierrätetään ympäristöystävällisellä tavalla, jottei ympäristölle tai ihmisille aiheudu vahinkoa. Lisätietoja kierrätyksestä ja keräyspisteistä saa ottamalla yhteyttä paikallisiin viranomaisiin tai jälleenmyyjään, jolta laite ostettiin. Kemiallisten merkien Pb (lyijy), Cd (kadmium) tai Hg (elohopea) käyttö ilmaisee, että paristo sisältää kyseistä metallia.

Svenska

Symbolen med en överkorsad soptunna innebär att denna produkt och tillhörande batterier inte får kastas i vanligt hushållsavfall. För att skydda miljön ska denna produkt och dess batterier inte kastas tillsammans med vanligt hushållsavfall utan lämnas för återvinning på tillbörligt sätt. För mer information om uppsamlingsplatser kontakta din lokala myndighet eller den återförsäljare där du har köpt produkten. De kemiska symbolerna Pb, Cd eller Hg visar om dessa metaller används i batteriet.

Norsk

Etiketten på hjulbeholderen på produktet ditt antyder at produktet og batteriene som hører med, ikke skal avhendes sammen med vanlig husholdningsavfall. Hold produktet og batteriene atskilt fra annet avfall, slik at det kan resirkuleres på en miljømessig og forsvarlig måte og dermed forhindre eventuell skade på miljø eller helse. Kontakt lokale myndigheter, eller din forhandler, for mer informasjon angående avhenting av produktet. De kjemiske symbolene Pb, Cd og Hg antyder om disse metallene har blitt brukt i batteriet.

Česky

Štítek s přeškrtnutým odpadkovým košem na kolečkách, který lze nalézt na výrobku, označuje, že se tento výrobek a přiložené baterie nemají likvidovat s běžným domovním odpadem. V zájmu ochrany životního prostředí a lidského zdraví zlikvidujte tento výrobek a jeho baterie jako tříděný odpad, který se recykluje způsobem šetrným k životnímu prostředí. Podrobnější informace o sběrných dvorech pro tříděný odpad získáte na obecním úřadě nebo u prodejce, u kterého jste tento výrobek zakoupili. Použité chemické značky Pb, Cd nebo Hg označují, zda baterie obsahuje tyto kovy.

Magyar

A terméken található, áthúzott szemetest ábrázoló címke azt jelzi, hogy ezt a terméket és a hozzá tartozó elemeket nem szabad a rendes háztartási szeméttel együtt kidobni. Az esetleges környezeti- vagy egészségkárosodást megelőzendő, kérjük, hogy ezt a terméket és az elemeket a többi szeméttől elkülönítve helyezze el, és biztosítsa, hogy azt környezetbarát módon újrahasznosítsák. A rendelkezésére álló begyűjtő létesítményekről kérjük tájékozódjon a megfelelő helyi állami szerveknél vagy a viszonteladónál, ahol a terméket vásárolta. A Pb, Cd vagy Hg vegyjelek jelzik, ha ilyen fémeket is felhasználtak az elem gyártása során.

Polski

Symbol przekreślonego kosza znajdujący się na produkcie oznacza, że nie można produktu oraz wewnętrzznego akumulatora utylizować razem z normalnymi odpadami z gospodarstwa domowego. Aby zapobiec potencjalnemu zagrożeniu dla środowiska lub zdrowia ludzkiego, produkt oraz wewnętrzny akumulator należy odseparować od reszty odpadów z gospodarstwa domowego i utylizować w ekologicznie właściwy sposób. Szczegółowe informacje na temat punktów zbiórki odpadów można uzyskać w lokalnych urzędach lub u sprzedawcy danego produktu. Symbole chemiczne Pb, Cd lub Hg oznaczają, że metale te zostały zastosowane w akumulatorze.

Slovensky

Štítok s preškrtnutým odpadkovým košom na kolieskach, ktorý je možné nájsť na výrobku, označuje, že tento produkt a obsiahnuté batérie sa nemajú likvidovať s bežným komunálnym odpadom. V záujme ochrany životného prostredia a ľudského zdravia zlikvidujte tento výrobok a batérie ako triedený odpad, ktorý sa recykluje spôsobom šetrným k životnému prostrediu. Podrobnejšie informácie o zberných dvoroch pre triedený odpad získate na obecnom úrade alebo u predajcu, u ktorého ste príslušný výrobok zakúpili. Použitie chemických značiek Pb, Cd alebo Hg znamená, že tieto kovy sú použité v batériách.

Slovenski

Prečrtan koš za smeti na etiketi, katero lahko najdete na vašem izdelku, pomeni, da niti tega izdelka niti njegovih baterij ne smete odvreči podobno kot vse ostale smeti. Da bi preprečili morebitne škodljive vplive na okolje ali zdravje, ločite izdelek in njegove baterije od vseh ostalih odpadkov in poskrbite, da bodo reciklirani na okolju prijazen način. Natančne informacije o tem, kje se nahajajo primerna odlagališča, pridobite v vašem krajevnem uradu ali pri prodajalcu. Kemijski simboli Pb, Cd in Hg označujejo, katere kovine vsebuje baterija.

Eesti

Teie tootele kleebitud tähis, mis kujutab ratastega prügikonteinerit, millele on rist peale tõmmatud, keelab toote ja sellega kaasasolevate patareide kõrvaldamise majapidamisjäätmetega sarnasel viisil. Keskkonnale või inimeste tervisele tekitava võimaliku kahju vältimiseks eraldage toode ja selle patareid teistest jäätmetest, et tagada nende korduvkasutamise keskkonnasäästlikul viisil. Kui soovite saada rohkem teavet võimalike kogumispunktide kohta, võtke ühendust kohaliku omavalituse ametnikuga või teile toote müünud jaemüüjaga. Keemiliste sümbolite Pb, Cd või Hg kasutamise näitab, kas tootes on vastavaid metalle kasutatud.

Lietuviškai

Užbraukta ratuota šiukšliadėžės etiketė, kurią rasite ant jūsų produkto, reiškia, kad šis produktas ir pridedamos baterijos neturėtų būti išmestas kartu su įprastinėmis buitinėmis šiukšlėmis. Siekiant išvengti galiamos žalos aplinkai bei žmonijai sveikatai, prašome atskirti šį produktą ir pridedamas baterijas nuo kitų atliekų, ir įsitikinti, kad jis būtų perdirbtas aplinkai nepavojing būdu. Jei reikia išsamesnės informacijos apie atliekų surinkimo ypatumus, prašome kreiptis į savo vietos valdžios įstaigas arba į mažmeninį pardavėją, iš kurio jūs įsigijote šį produktą. Atitinkamų metalų naudojimas baterijose yra pažymėtas cheminiais simboliais Pb, Cd arba Hg ant baterijų.

Latviski

Marķējums ar pārsvītrotu atkritumu tvertni uz ritenīšiem, kas redzams uz izstrādājuma, norāda, ka šo izstrādājumu un tajā iekļautās baterijas nedrīkst likvidēt kopā ar parastajiem sadzīves atkritumiem. Lai novērstu iespējamo kaitējumu videi vai cilvēku veselībai, lūdzu, atdaliet šo izstrādājumu un tā baterijas no citiem atkritumiem, tādējādi nodrošinot tā otrreizējo pārstrādi videi drošā veidā. Papildinformācijai par pieejamajām atkritumu savākšanas iespējām, lūdzu, sazinieties ar vietējo pašvaldību vai mazumtirgotāju, no kura jūs iegādājāties šo izstrādājumu. Ķīmisko simbolu Pb, Cd un Hg izmantošana uz marķējuma nozīmē, ka šie metāli ir izmantoti baterijā.

Ελληνικά

Η διαγραμμένη ετικέτα του τροχοφόρου κάδου απορριμμάτων που θα βρείτε πάνω στο προϊόν σας υποδεικνύει ότι αυτό το προϊόν και οι ενσωματωμένες μπαταρίες δεν πρέπει να απορρίπτεται μέσω του κανονικού δικτύου αποκομιδής οικιακών απορριμμάτων. Για να αποτρέψετε πιθανές επιπτώσεις στο περιβάλλον ή την ατομική υγεία, παρακαλούμε να διαχωρίσετε αυτό το προϊόν και τις μπαταρίες του από άλλα δίκτυα αποκομιδής ώστε να διασφαλίσετε ότι είναι δυνατή η ανακύκλωσή του με έναν περιβαλλοντικά θεμιτό τρόπο. Για περισσότερες πληροφορίες σχετικά με τις διαθέσιμες δυνατότητες συλλογής απορριμμάτων, παρακαλούμε να επικοινωνήσετε με την τοπική κυβερνητική αρχή ή το κατάστημα λιανικής από όπου αγοράσατε αυτό το προϊόν. Η χρήση των χημικών συμβόλων Pb, Cd ή Hg υποδεικνύει εάν χρησιμοποιούνται τα μέταλλα αυτά στην μπαταρία.

Türkçe

Ürününüzün üzerinde bulunan çarpi işaretli tekerlekli kutu etiketi, bu ürünün ve beraberinde gelen pillerin normal ev atık sistemi vasıtasıyla elden çıkarılmaması gerektiğini gösterir. Çevreye ve insan sağlığına zarar vermeye yönelik önlemler için, lütfen bu ürünü ve pillerini çevreye zarar vermeyecek şekilde geri dönüşüme tabi tutulmak üzere diğer atıklardan ayırın. Mevcut toplama tesisleri ile ilgili ayrıntılı bilgi edinmek için, yerel devlet makamlarıyla veya bu ürünü satın aldığınız satıcıyla iletişime geçin. Pb, Cd veya Hg kimyasal sembollerinin kullanılması, bu metallerin pillerin üretiminde kullanılıp kullanılmadığını ifade eder.

Română

Eticheta arătând un coș de gunoi tăiat cu două linii încrucișate, care poate fi găsită pe produs, indică faptul că acesta și bateriile încorporate nu trebuie aruncate la gunoi laolaltă cu gunoiul menajer. Pentru a evita posibila degradare a mediului înconjurător sau a sănătății umane, colectați separat acest produs și bateriile încorporate și nu împuneți cu gunoiul menajer pentru a vă asigura că acestea pot fi reciclate într-un mod ecologic. Pentru mai multe detalii privind punctele disponibile de colectare, contactați autoritățile locale sau comerciantul de la care ați achiziționat acest produs. Utilizarea simbolurilor unor substanțe chimice precum Pb, Cd sau Hg indică faptul că aceste metale sunt utilizate în baterie.

Български

Етикетът, представляващ зачертано кошче за боклук в кръг, който можете да видите върху вашия продукт, означава, че този продукт и батериите към него не трябва да се изхвърлят заедно с обикновените домакински отпадъци. За предпазване от евентуални щети върху околната среда или човешкото здраве, моля, отделете този продукт и батериите му от останалите отпадъци, за да се гарантира, че той ще бъде рециклиран по екологично съобразен начин. За повече информация относно наличните места за събиране на отпадъци, моля, свържете се с местните власти или търговеца, от когото сте закупили този продукт. Химическите символи Pb, Cd и Hg подсочват дали съответните метали са използвани в батерията.

This information only applies to customers in the European Union, according to DIRECTIVE 2006/66/EC OF THE EUROPEAN PARLIAMENT AND OF THE COUNCIL OF 6 September 2006 on batteries and accumulators and waste batteries and accumulators and repealing Directive 91/157/EEC and legislation transposing and implementing it into the various national legal systems.

For other countries, please contact your local government to investigate the possibility of recycling your product.

Instrucciones de seguridad

Advertencias, precauciones y notas



Las advertencias

deben seguirse estrictamente para evitar daños físicos.



Precauciones

deben seguirse para evitar daños materiales en el equipo.

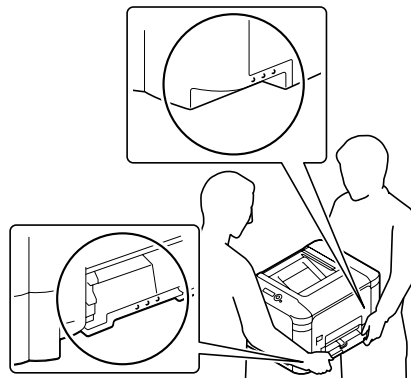
Las notas

contienen información importante y sugerencias prácticas acerca del funcionamiento de la impresora.

Instrucciones importantes de seguridad

Instalación de la impresora

- Como la impresora pesa aproximadamente 27 kg con los productos consumibles instalados, no deberá levantar ni transportarla una persona. Se recomienda que el transporte lo realicen dos personas, sujetando la impresora por las posiciones correctas que se indican a continuación.



- Si no puede insertar el enchufe de CA en la toma de corriente, póngase en contacto con un electricista.

- Confirme que el cable CA cumple las normas de seguridad locales pertinentes. Utilice únicamente el cable de alimentación que acompaña a este producto. Si utilizara otro cable, podría producirse un incendio o una descarga eléctrica. El cable de alimentación de este producto sólo debe utilizarse con él. Si lo utiliza con otro aparato, podría producirse un incendio o una descarga eléctrica.
- Si el enchufe sufre algún daño, sustituya el conjunto de cables o consulte a un electricista cualificado. Si el enchufe tiene fusibles, sustitúyalos siempre por fusibles del tamaño y amperaje adecuados.
- Utilice una toma eléctrica con conexión a tierra compatible con el enchufe de alimentación de la impresora. No utilice un enchufe adaptador.
- No utilice tomas eléctricas controladas por interruptores de pared o temporizadores automáticos. La interrupción accidental de la alimentación puede borrar información valiosa de la memoria del equipo y de la impresora.
- Compruebe que no haya polvo en el zócalo.
- Introduzca totalmente el enchufe en la toma de corriente.
- No toque el enchufe con las manos mojadas.
- Desenchufe esta impresora de la toma de pared y diríjase a un representante del Servicio Técnico de EPSON en cualquiera de estas situaciones:
 - A. Si el cable o el enchufe presentan desperfectos o están deshilachados.
 - B. Si se ha vertido líquido en su interior.
 - C. Si ha estado expuesta a la lluvia o al agua.
 - D. Si no funciona normalmente cuando se siguen las instrucciones de funcionamiento. Ajuste únicamente los controles tratados en las instrucciones de funcionamiento. Un ajuste inadecuado de otros controles puede provocar daños y a menudo precisará de una larga reparación por parte de un técnico cualificado para recuperar su funcionamiento normal.
 - E. Si la impresora se ha caído o se ha dañado su carcasa.
 - F. Si muestra un cambio notable de rendimiento, que indica la necesidad de llamar al Servicio Técnico.
- Evite usar tomas de corriente donde estén enchufados otros aparatos.

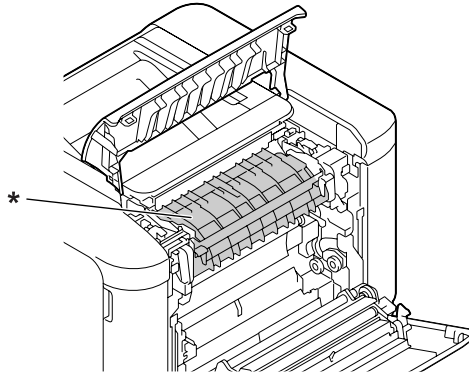
- Conecte todos los dispositivos a enchufes con toma de tierra. No utilice enchufes montados en el mismo circuito que aparatos tales como fotocopiadoras o sistemas de aire acondicionado que se apaguen y enciendan regularmente.
- Conecte la impresora a una toma eléctrica que cumpla los requisitos de potencia de esta impresora. Los requisitos de potencia de la impresora se indican en una etiqueta colocada en la impresora. Si no conoce las especificaciones de suministro eléctrico de su zona, consulte a la compañía eléctrica local o a su distribuidor.
- Si usa un alargador, compruebe que el total de amperios de todos los productos enchufados no supera el total de amperios del cable.
- Cuando conecte este producto a un equipo o a otro dispositivo con un cable, compruebe que los conectores tengan la orientación correcta. Cada conector tiene una única orientación correcta. Si inserta un conector con la orientación errónea puede dañar los dos dispositivos conectados por el cable.
- Cuando utilice la unidad de casete de papel opcional, cerciórese de instalar correctamente los pasadores de posicionamiento. Con respecto a las instrucciones sobre cómo instalar los pasadores de posicionamiento, consulte la Guía del usuario.

Elección del lugar para la impresora

- Coloque la impresora cerca de una toma de corriente donde resulte cómodo enchufar y desenchufar el cable de alimentación.
- No coloque la impresora en un lugar donde se pueda pisar el cable.
- No utilice la impresora en un entorno húmedo.
- Evite los lugares expuestos a la luz solar directa, altas temperaturas, humedad, vapor de petróleo o polvo.
- No coloque la impresora en una superficie inestable.
- Las ranuras y aberturas de la carcasa, así como las partes posterior o inferior, actúan como sistema de ventilación del aparato. No las obstruya ni las tape. No coloque la impresora sobre una cama, un sofá, una alfombra u otra superficie similar, ni en una estructura empotrada a menos que cuente con la ventilación necesaria.
- Mantenga alejado el equipo y la impresora de posibles fuentes de interferencia tales como altavoces o receptores de teléfonos inalámbricos.
- Deje espacio suficiente alrededor de la impresora para una ventilación correcta.

Uso de la impresora

- ❑ Evite tocar el fusor, en el que aparece la indicación **PRECAUCIÓN**, o sus proximidades. Si ha estado usando la impresora, la unidad fusora y sus alrededores pueden estar muy calientes. Si tiene que tocar alguna de dichas zonas, espere 40 minutos a que baje la temperatura antes de hacerlo.



* PRECAUCIÓN

- ❑ No introduzca la mano en la unidad fusora, ya que algunos componentes son puntiagudos y pueden causar lesiones.
- ❑ No empuje nunca objetos de ningún tipo por las ranuras de la carcasa, pues podrían tocar puntos peligrosos de voltaje o provocar un cortocircuito en las piezas. Esto podría causar un incendio o descarga eléctrica.
- ❑ No se siente ni apoye en la impresora. No ponga objetos pesados encima de la impresora.
- ❑ No use gases inflamables de ningún tipo en la impresora ni cerca de ella.
- ❑ No fuerce nunca los componentes de la impresora para encajarlos en su sitio. Aunque la impresora tiene un diseño resistente, una manipulación brusca podría estropearla.
- ❑ No deje papel atascado dentro de la impresora. Puede provocar que la impresora se sobrecaliente.
- ❑ Nunca vierta líquido dentro de la impresora.
- ❑ Ajuste únicamente los controles descritos en las instrucciones de uso. El ajuste incorrecto de otros controles puede provocar daños y requerir reparaciones por parte de un servicio técnico cualificado.
- ❑ No apague la impresora:
 - Después de encender la impresora, espere a que aparezca el mensaje Activa en el panel LCD.
 - Durante la impresión u otras operaciones, como escritura de datos en dispositivos externos.

- Evite tocar los componentes internos de la impresora excepto cuando se indique expresamente en esta guía.
- Siga todas las advertencias e instrucciones señaladas en la impresora.
- Salvo cuando se indique expresamente lo contrario en la documentación de la impresora, no intente reparar este producto usted mismo/a.
- Desenchufe periódicamente el enchufe de la toma de corriente y limpie las clavijas.
- No desconecte el enchufe cuando la impresora esté encendida.
- Si va a pasar mucho tiempo sin usar la impresora, desenchúfela de la toma de corriente.
- Antes de limpiar esta impresora, desenchúfela de la toma de corriente.
- Utilice un paño húmedo para limpiarlo y no emplee detergentes líquidos ni en aerosol.
- Cuando transporte la impresora, manténgala siempre horizontal.
- No extraiga con fuerza excesiva el papel atascado. El papel roto es difícil de extraer y puede causar otros atascos de papel. Tire suave y uniformemente del papel para que no se rasgue o caiga, y para no hacerse daño.
- No del cable de alimentación cuando desconecte el enchufe. Sujete siempre el enchufe cuando lo desconecte.
- No deje que el borde del papel le roce la piel porque puede cortarse.
- Antes de transportar la impresora, apáguela y desenchufe el cable de alimentación de la toma de corriente. Desconecte todos los cables.

Manipulación de los consumibles

- No queme los consumibles usados, pues podrían explotar y herir a alguien. Deséchelos según las normativas locales.
- Mantenga los componentes consumibles fuera del alcance de los niños.
- Cuando manipule un cartucho de tóner, colóquelo siempre sobre una superficie limpia y lisa.
- No intente alterar ni desmontar los cartuchos de tóner.
- No toque el tóner. Evite en todo momento que el tóner entre en contacto con sus ojos. Si el tóner salpica su piel o su ropa, lávese con agua y jabón inmediatamente.

- ❑ Si se derrama tóner, use una escoba y un recogedor o un paño húmedo con agua y jabón para limpiarlo. Las partículas finas de polvo pueden causar un incendio o una explosión si entran en contacto con una chispa, por lo que no debe utilizar una aspiradora.
- ❑ Espere como mínimo una hora para usar un cartucho de tóner después de pasarlo de un entorno frío a uno cálido para evitar los daños producidos por la condensación.
- ❑ Para obtener la mejor calidad de impresión, no almacene el cartucho de tóner en un lugar expuesto a luz solar directa, polvo, aire salino o gases corrosivos (como el amoníaco). Evite los lugares sujetos a cambios extremos o súbitos de temperatura o humedad.
- ❑ Cuando saque el cartucho de tóner, no lo exponga a la luz del sol y evite exponerlo a la luz de la habitación durante más de cinco minutos. El cartucho de tóner contiene un tambor fotosensible. La exposición a la luz puede dañar el tambor, lo que ocasiona que aparezcan zonas oscuras o claras en las impresiones y que se reduzca la vida útil del tambor. Si tiene que mantener el cartucho de tóner fuera de la impresora durante largos periodos de tiempo, cúbralo con un paño opaco.
- ❑ Tenga cuidado de no rayar la superficie del tambor. Cuando extraiga el cartucho de tóner de la impresora, colóquelo siempre sobre una superficie limpia y lisa. Evite tocar el tambor porque la grasa de la piel puede dañar permanentemente su superficie y afectar a la calidad de la impresión.

Información sobre seguridad

Etiquetas de seguridad láser



Advertencia:

Si se siguen procedimientos y ajustes distintos de los especificados en la documentación de la impresora, se puede correr el riesgo de exposición a radiaciones nocivas. Su impresora es un producto láser de clase 1 según lo definido en las especificaciones IEC60825. La etiqueta mostrada está pegada a la parte posterior de la impresora en los países que así lo exigen.



Radiación láser interna

Hay un diodo láser de clase III b con un haz láser invisible dentro de la unidad del cabezal de la impresora. El cabezal de impresión **NO ES UNA PIEZA QUE PUEDA REPARARSE**, por lo tanto, no deberá abrirse bajo ningún concepto. En el interior de la impresora hay otra etiqueta de aviso de láser.



Seguridad de ozono

Emisión de ozono

Las impresoras láser producen gas ozono como parte del proceso de impresión. El ozono sólo se produce cuando la impresora está imprimiendo.

Límite de exposición al ozono

La impresora láser Epson genera menos de 3 ppm/h de impresión ininterrumpida.

Minimización del riesgo

Para reducir al mínimo el riesgo de exposición al ozono, evite las siguientes situaciones:

- Uso de varias impresoras láser en un espacio cerrado
- Funcionamiento en un entorno de humedad extremadamente baja
- Escasa ventilación en el cuarto
- Impresión larga e ininterrumpida junto con cualquiera de las condiciones anteriores

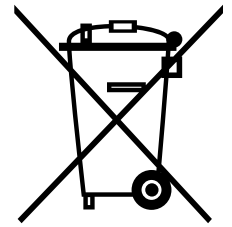
Ubicación de la impresora

La impresora debe colocarse en un lugar donde los gases y el calor emitidos:

- No den directamente en la cara del usuario.

- Salgan directamente al exterior del edificio siempre que sea posible.

Battery Addendum



English

The crossed out wheeled bin label that can be found on your product indicates that this product and incorporated batteries should not be disposed of via the normal household waste stream. To prevent possible harm to the environment or human health please separate this product and its batteries from other waste streams to ensure that it can be recycled in an environmentally sound manner. For more details on available collection facilities please contact your local government office or the retailer where you purchased this product. Use of the chemical symbols Pb, Cd or Hg indicates if these metals are used in the battery.

Deutsch

Der Aufkleber mit durchgekrenzter Mülltonne an diesem Produkt weist darauf hin, dass dieses Produkt und darin enthaltene Batterien nicht im normalen Hausmüll entsorgt werden dürfen. Zur Vermeidung einer möglichen Beeinträchtigung der Umwelt oder der menschlichen Gesundheit und um zu gewährleisten, dass es in einer umweltverträglichen Weise recycelt wird, darf dieses Produkt mitsamt den Batterien nicht in den Hausmüll gegeben werden. Informationen zu Entsorgungseinrichtungen erhalten Sie bei der zuständigen Behörde oder dem Händler, bei dem Sie dieses Produkt erworben haben. Die Angabe der chemischen Zeichen Pb, Cd oder Hg bedeutet, dass diese Metalle in der Batterie verwendet werden.

Français

L'étiquette apposée sur ce produit et représentant une poubelle barrée indique que le produit et les piles intégrées ne peuvent être mis au rebut avec les déchets domestiques normaux. Afin d'éviter d'éventuels dommages au niveau de l'environnement ou sur la santé, veuillez séparer ce produit et ses piles des autres déchets de manière à garantir qu'ils soient recyclés de manière sûre au niveau environnemental. Pour plus de détails sur les sites de collecte existants, veuillez contacter l'administration locale ou le détaillant auprès duquel vous avez acheté ce produit. Les symboles chimiques Pb, Cd et Hg sont utilisés pour désigner les métaux présents dans les piles.

Italiano

L'etichetta con il contenitore barrato applicata sull'imballo indica che il prodotto e le batterie incluse non devono essere smaltiti tramite la procedura normale di smaltimento dei rifiuti domestici. Per evitare eventuali danni all'ambiente e alla salute umana, separare questo prodotto e le relative batterie da altri rifiuti domestici in modo che possano essere riciclati in base alle procedure di rispetto dell'ambiente. Per maggiori dettagli sulle strutture di raccolta disponibili, contattare l'ufficio competente del proprio comune o il rivenditore del prodotto. L'uso dei simboli chimici Pb, Cd o Hg indica la presenza di tali metalli nelle batterie.

Español

La etiqueta de un contenedor tachado que hallará en su producto indica que este producto y sus pilas no se pueden tirar con la basura doméstica normal. Para impedir posibles daños medioambientales o para la salud, separe este producto y sus pilas de otros canales de desecho para garantizar que se recicle de una forma segura para el medio ambiente. Para más información sobre las instalaciones de recolección disponibles, diríjase a las autoridades locales o al punto de venta donde adquirió este producto. Los símbolos químicos Pb, Cd o Hg indican que las pilas contienen ese metal.

Português

A etiqueta com o símbolo de um contentor de lixo traçado com uma cruz que aparece no produto indica que este produto e as pilhas incluídas não devem ser deitados fora juntamente com o lixo doméstico. Para evitar possíveis danos no ambiente ou na saúde pública, por favor separe este produto e respectivas pilhas de outros lixos; desta forma, terá a certeza de que podem ser reciclados através de métodos não prejudiciais ao ambiente. Para obter mais informações sobre os locais de recolha de lixo disponíveis, contacte a sua junta de freguesia, câmara municipal ou local onde comprou este produto. A utilização dos símbolos químicos Pb, Cd ou Hg indica se estes metais são utilizados na pilha.

Nederlands

Op uw product is een label van een rolcontainer met een kruis erdoor aangebracht. Dit label wil zeggen dat dit product en de batterijen in het product niet bij het normale huishoudelijk afval mogen worden ingezameld. Om eventuele schade aan het milieu of de gezondheid van de mens te voorkomen moeten dit product en de batterijen gescheiden van al het ander afval worden ingezameld, zodat alles op een verantwoorde wijze kan worden verwerkt. Voor meer informatie over uw lokale afvalinzameling wendt u zich tot uw gemeente of de leverancier bij wie u dit product hebt gekocht. Gebruik van de chemische symbolen Pb, Cd of Hg geeft aan of deze metalen worden gebruikt in de batterij.

Dansk

Etiketten med et kryds over skraldespanden på hjul, der sidder på produktet, angiver, at dette produkt og dets batterier ikke må bortskaffes sammen med almindeligt husholdningsaffald. For at beskytte miljø og helbred skal dette produkt og dets batterier bortskaffes separat, så disse dele kan genbruges på en måde, der er god for miljøet. Kontakt de lokale myndigheder eller den forhandler, hos hvem du har købt produktet, vedrørende steder, hvor du kan aflevere produktet. Brugen af de kemiske symboler Pb, Cd eller Hg angiver, om disse metaller er anvendt i batteriet.

Suomi

Laitte on merkitty jäteastia-symbolilla, jonka yli on vedetty rasti. Tämä tarkoittaa, ettei laitetta tai siihen kuuluvia paristoja saa hävittää normaalin talousjätteen mukana. Älä hävitä laitetta tai sen paristoja normaalin jätteen seassa vaan varmista, että laite kierrätetään ympäristöystävällisellä tavalla, jottei ympäristölle tai ihmisille aiheudu vahinkoa. Lisätietoja kierrätyksestä ja keräyspisteistä saa ottamalla yhteyttä paikallisiin viranomaisiin tai jälleenmyyjään, jolta laite ostettiin. Kemiallisten merkien Pb (lyijy), Cd (kadmium) tai Hg (elohopea) käyttö ilmaisee, että paristo sisältää kyseistä metallia.

Svenska

Symbolen med en överkorsad soptunna innebär att denna produkt och tillhörande batterier inte får kastas i vanligt hushållsavfall. För att skydda miljön ska denna produkt och dess batterier inte kastas tillsammans med vanligt hushållsavfall utan lämnas för återvinning på tillbörligt sätt. För mer information om uppsamlingsplatser kontakta din lokala myndighet eller den återförsäljare där du har köpt produkten. De kemiska symbolerna Pb, Cd eller Hg visar om dessa metaller används i batteriet.

Norsk

Etiketten på hjulbeholderen på produktet ditt antyder at produktet og batteriene som hører med, ikke skal avhendes sammen med vanlig husholdningsavfall. Hold produktet og batteriene atskilt fra annet avfall, slik at det kan resirkuleres på en miljømessig og forsvarlig måte og dermed forhindre eventuell skade på miljø eller helse. Kontakt lokale myndigheter, eller din forhandler, for mer informasjon angående avhenting av produktet. De kjemiske symbolene Pb, Cd og Hg antyder om disse metallene har blitt brukt i batteriet.

Česky

Štítek s přeškrtnutým odpadkovým košem na kolečkách, který lze nalézt na výrobku, označuje, že se tento výrobek a přiložené baterie nemají likvidovat s běžným domovním odpadem. V zájmu ochrany životního prostředí a lidského zdraví zlikvidujte tento výrobek a jeho baterie jako tříděný odpad, který se recykluje způsobem šetrným k životnímu prostředí. Podrobnější informace o sběrných dvorech pro tříděný odpad získáte na obecním úřadě nebo u prodejce, u kterého jste tento výrobek zakoupili. Použité chemické značky Pb, Cd nebo Hg označují, zda baterie obsahuje tyto kovy.

Magyar

A terméken található, áthúzott szemetest ábrázoló címke azt jelzi, hogy ezt a terméket és a hozzá tartozó elemeket nem szabad a rendes háztartási szeméttel együtt kidobni. Az esetleges környezeti- vagy egészségkárosodást megelőzendő, kérjük, hogy ezt a terméket és az elemeket a többi szeméttől elkülönítve helyezze el, és biztosítsa, hogy azt környezetbarát módon újrahasznosítsák. A rendelkezésére álló begyűjtő létesítményekről kérjük tájékozódjon a megfelelő helyi állami szerveknél vagy a viszonteladónál, ahol a terméket vásárolta. A Pb, Cd vagy Hg vegyjelek jelzik, ha ilyen fémeket is felhasználtak az elem gyártása során.

Polski

Symbol przekreślonego kosza znajdujący się na produkcie oznacza, że nie można produktu oraz wewnętrzznego akumulatora utylizować razem z normalnymi odpadami z gospodarstwa domowego. Aby zapobiec potencjalnemu zagrożeniu dla środowiska lub zdrowia ludzkiego, produkt oraz wewnętrzny akumulator należy odseparować od reszty odpadów z gospodarstwa domowego i utylizować w ekologicznie właściwy sposób. Szczegółowe informacje na temat punktów zbiórki odpadów można uzyskać w lokalnych urzędach lub u sprzedawcy danego produktu. Symbole chemiczne Pb, Cd lub Hg oznaczają, że metale te zostały zastosowane w akumulatorze.

Slovensky

Štítok s preškrtnutým odpadkovým košom na kolieskach, ktorý je možné nájsť na výrobku, označuje, že tento produkt a obsiahnuté batérie sa nemajú likvidovať s bežným komunálnym odpadom. V záujme ochrany životného prostredia a ľudského zdravia zlikvidujte tento výrobok a batérie ako triedený odpad, ktorý sa recykluje spôsobom šetrným k životnému prostrediu. Podrobnejšie informácie o zberných dvoroch pre triedený odpad získate na obecnom úrade alebo u predajcu, u ktorého ste príslušný výrobok zakúpili. Použitie chemických značiek Pb, Cd alebo Hg znamená, že tieto kovy sú použité v batériách.

Slovenski

Prečrtan koš za smeti na etiketi, katero lahko najdete na vašem izdelku, pomeni, da niti tega izdelka niti njegovih baterij ne smete odvreči podobno kot vse ostale smeti. Da bi preprečili morebitne škodljive vplive na okolje ali zdravje, ločite izdelek in njegove baterije od vseh ostalih odpadkov in poskrbite, da bodo reciklirani na okolju prijazen način. Natančne informacije o tem, kje se nahajajo primerna odlagališča, pridobite v vašem krajevnem uradu ali pri prodajalcu. Kemijski simboli Pb, Cd in Hg označujejo, katere kovine vsebuje baterija.

Eesti

Teie tootele kleebitud tähis, mis kujutab ratastega prügikonteinerit, millele on rist peale tõmmatud, keelab toote ja sellega kaasasolevate patareide kõrvaldamise majapidamisjäätmetega sarnasel viisil. Keskkonnale või inimeste tervisele tekitava võimaliku kahju vältimiseks eraldage toode ja selle patareid teistest jäätmetest, et tagada nende korduvkasutamise keskkonnasäästlikul viisil. Kui soovite saada rohkem teavet võimalike kogumispunktide kohta, võtke ühendust kohaliku omavalituse ametnikuga või teile toote müünud jaemüüjaga. Keemiliste sümbolite Pb, Cd või Hg kasutamise näitab, kas tootes on vastavaid metalle kasutatud.

Lietuviškai

Užbraukta ratuota šiukšliadėžės etiketė, kurią rasite ant jūsų produkto, reiškia, kad šis produktas ir pridedamos baterijos neturėtų būti išmestas kartu su įprastinėmis buitinėmis šiukšlėmis. Siekiant išvengti galimos žalos aplinkai bei žmonių sveikatai, prašome atskirti šį produktą ir pridedamas baterijas nuo kitų atliekų, ir įsitikinti, kad jis būtų perdirbtas aplinkai nepavojing būdu. Jei reikia išsamesnės informacijos apie atliekų surinkimo ypatumus, prašome kreiptis į savo vietos valdžios įstaigas arba į mažmeninį pardavėją, iš kurio jūs įsigijote šį produktą. Atitinkamų metalų naudojimas baterijose yra pažymėtas cheminiais simboliais Pb, Cd arba Hg ant baterijų.

Latviski

Marķējums ar pārsvītrotu atkritumu tvertni uz ritenīšiem, kas redzams uz izstrādājuma, norāda, ka šo izstrādājumu un tajā iekļautās baterijas nedrīkst likvidēt kopā ar parastajiem sadzīves atkritumiem. Lai novērstu iespējamo kaitējumu videi vai cilvēku veselībai, lūdzu, atdaliet šo izstrādājumu un tā baterijas no citiem atkritumiem, tādējādi nodrošinot tā otrreizējo pārstrādi videi drošā veidā. Papildinformācijai par pieejamajām atkritumu savākšanas iespējām, lūdzu, sazinieties ar vietējo pašvaldību vai mazumtirgotāju, no kura jūs iegādājāties šo izstrādājumu. Ķīmisko simbolu Pb, Cd un Hg izmantošana uz marķējuma nozīmē, ka šie metāli ir izmantoti baterijā.

Ελληνικά

Η διαγραμμένη ετικέτα του τροχοφόρου κάδου απορριμμάτων που θα βρείτε πάνω στο προϊόν σας υποδεικνύει ότι αυτό το προϊόν και οι ενσωματωμένες μπαταρίες δεν πρέπει να απορρίπτεται μέσω του κανονικού δικτύου αποκομιδής οικιακών απορριμμάτων. Για να αποτρέψετε πιθανές επιπτώσεις στο περιβάλλον ή την ατομική υγεία, παρακαλούμε να διαχωρίσετε αυτό το προϊόν και τις μπαταρίες του από άλλα δίκτυα αποκομιδής ώστε να διασφαλίσετε ότι είναι δυνατή η ανακύκλωσή του με έναν περιβαλλοντικά θεμιτό τρόπο. Για περισσότερες πληροφορίες σχετικά με τις διαθέσιμες δυνατότητες συλλογής απορριμμάτων, παρακαλούμε να επικοινωνήσετε με την τοπική κυβερνητική αρχή ή το κατάστημα λιανικής από όπου αγοράσατε αυτό το προϊόν. Η χρήση των χημικών συμβόλων Pb, Cd ή Hg υποδεικνύει εάν χρησιμοποιούνται τα μέταλλα αυτά στην μπαταρία.

Türkçe

Ürününüzün üzerinde bulunan çarpi işaretli tekerlekli kutu etiketi, bu ürünün ve beraberinde gelen pillerin normal ev atık sistemi vasıtasıyla elden çıkarılmaması gerektiğini gösterir. Çevreye ve insan sağlığına zarar vermeyei önlemek için, lütfen bu ürünü ve pillerini çevreye zarar vermeyecek şekilde geri dönüşüme tabi tutulmak üzere diğer atıklardan ayırın. Mevcut toplama tesisleri ile ilgili ayrıntılı bilgi edinmek için, yerel devlet makamlarıyla veya bu ürünü satın aldığınız satıcıyla irtibata geçin. Pb, Cd veya Hg kimyasal sembollerinin kullanılması, bu metallerin pillerin üretiminde kullanılıp kullanılmadığını ifade eder.

Română

Eticheta arătând un coș de gunoi tăiat cu două linii încrucișate, care poate fi găsită pe produs, indică faptul că acesta și bateriile încorporate nu trebuie aruncate la gunoi laolaltă cu gunoiul menajer. Pentru a evita posibila degradare a mediului înconjurător sau a sănătății umane, colectați separat acest produs și bateriile încorporate și nu împuneți cu gunoiul menajer pentru a vă asigura că acestea pot fi reciclate într-un mod ecologic. Pentru mai multe detalii privind punctele disponibile de colectare, contactați autoritățile locale sau comerciantul de la care ați achiziționat acest produs. Utilizarea simbolurilor unor substanțe chimice precum Pb, Cd sau Hg indică faptul că aceste metale sunt utilizate în baterie.

Български

Етикетът, представляващ зачертано кошче за боклук в кръг, който можете да видите върху вашия продукт, означава, че този продукт и батериите към него не трябва да се изхвърлят заедно с обикновените домакински отпадъци. За предпазване от евентуални щети върху околната среда или човешкото здраве, моля, отделете този продукт и батериите му от останалите отпадъци, за да се гарантира, че той ще бъде рециклиран по екологично съобразен начин. За повече информация относно наличните места за събиране на отпадъци, моля, свържете се с местните власти или търговеца, от когото сте закупили този продукт. Химическите символи Pb, Cd и Hg посочват дали съответните метали са използвани в батерията.

This information only applies to customers in the European Union, according to DIRECTIVE 2006/66/EC OF THE EUROPEAN PARLIAMENT AND OF THE COUNCIL OF 6 September 2006 on batteries and accumulators and waste batteries and accumulators and repealing Directive 91/157/EEC and legislation transposing and implementing it into the various national legal systems.

For other countries, please contact your local government to investigate the possibility of recycling your product.

Instruções de Segurança

Simbologia utilizada no manual

**Atenção:**

Mensagens que devem ser seguidas rigorosamente a fim de evitar lesões corporais.

**Importante:**

Mensagens que devem ser seguidas para não provocar danos no equipamento.

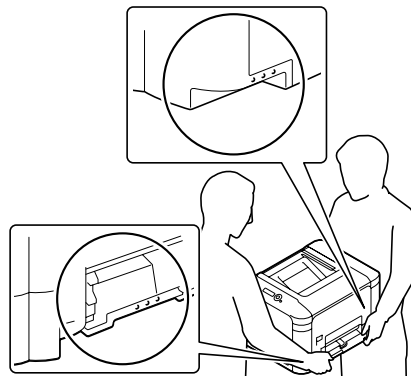
Nota:

Mensagens que contêm informações importantes e conselhos úteis para a utilização da impressora.

Instruções importantes de segurança

Instalar a impressora

- ❑ Atendendo a que a impressora pesa cerca de 27 kg com os consumíveis instalados, a impressora não deve ser levantada ou transportada por uma só pessoa. São necessárias duas pessoas para transportar a impressora e a levantar pelas posições correctas, conforme se indica.



- ❑ Se não conseguir introduzir a ficha na tomada eléctrica, contacte um electricista.

- Certifique-se de que o cabo de alimentação CA cumpre as normas de segurança locais aplicáveis. Utilize apenas o cabo de alimentação fornecido com este produto. Se utilizar outro cabo, poderão ocorrer incêndios ou choques eléctricos. O cabo de alimentação deste produto destina-se a ser utilizado apenas com este produto. Se o utilizar com outro equipamento, poderão ocorrer incêndios ou choques eléctricos.
- Se a ficha estiver danificada, substitua o conjunto do cabo ou contacte um electricista credenciado. Se a ficha tiver fusíveis, certifique-se de que os substitui por fusíveis com o tamanho e a voltagem correctos.
- Utilize uma tomada ligada à terra cuja forma corresponda à da ficha da impressora. Não utilize uma ficha adaptadora.
- Evite utilizar uma tomada eléctrica controlada por interruptores de parede ou temporizadores automáticos. Um corte accidental de energia pode apagar informações importantes da memória do computador e da impressora.
- Certifique-se de que o encaixe não tem pó.
- Certifique-se de que introduz a ficha totalmente na tomada eléctrica.
- Não mexa na ficha com as mãos molhadas.
- Desligue a impressora da tomada de parede e recorra aos serviços de um técnico de assistência qualificado nas seguintes situações:
 - A. Se o cabo de alimentação ou a ficha estiverem danificados.
 - B. Se algum líquido tiver sido derramado sobre a impressora.
 - C. Se a impressora tiver sido exposta à chuva ou se tiver entrado em contacto com água.
 - D. Se a impressora não funcionar correctamente depois de efectuar as instruções de funcionamento. Ajuste apenas os controlos mencionados nas instruções de funcionamento. Se efectuar um ajuste incorrecto de outros controlos, poderá provocar danos na impressora que terão de ser reparados por um técnico qualificado.
 - E. Se a impressora tiver caído ou se a caixa exterior estiver danificada.
 - F. Se apresentar uma diminuição de rendimento notória, o que significa que é necessário repará-la.
- Evite partilhar as tomadas com outros aparelhos.

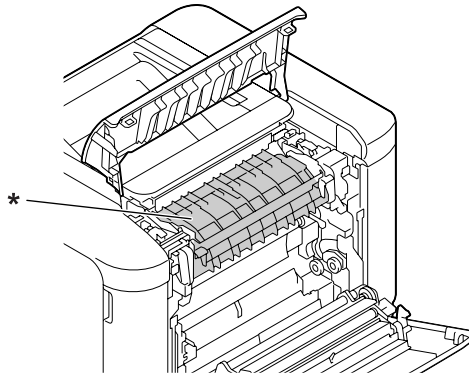
- ❑ Ligue todo o equipamento a tomadas com terra. Evite utilizar tomadas no mesmo circuito de fotocopiadoras ou sistemas de ar condicionado que estão constantemente a ser ligados e desligados.
- ❑ Ligue a impressora a uma tomada eléctrica que cumpra os respectivos requisitos de tensão. Os requisitos de tensão são indicados numa etiqueta colocada na impressora. Se tiver qualquer dúvida em relação às características do fornecimento de energia eléctrica da sua área, contacte a sua empresa de prestação de serviços de energia ou o seu fornecedor.
- ❑ Se utilizar uma extensão, certifique-se de que a soma total da amperagem dos dispositivos ligados à extensão não excede a amperagem total da própria extensão.
- ❑ Quando ligar este produto a um computador ou a outro dispositivo através de um cabo, certifique-se de que os conectores ficam na posição correcta. Cada conector tem apenas uma posição correcta. Se inserir um conector incorrectamente, poderá danificar ambos os dispositivos ligados através do cabo.
- ❑ Quando utilizar alimentadores de papel opcionais, certifique-se de que instala correctamente os pinos de posicionamento. Para saber como instalar os pinos de posicionamento, consulte o Guia do usuário.

Determinar a localização da impressora

- ❑ Coloque a impressora junto a uma tomada eléctrica, de modo a que possa ligar e desligar facilmente o cabo de alimentação.
- ❑ Não coloque a impressora num local onde o cabo possa ser pisado.
- ❑ Não utilize a impressora num ambiente húmido.
- ❑ Evite locais expostos a luz solar directa, calor, humidade, vapores de óleo ou pó em excesso.
- ❑ Não coloque a impressora numa superfície instável.
- ❑ As aberturas e ranhuras existentes na caixa exterior e no painel posterior e inferior da impressora destinam-se à ventilação. Não bloqueie nem tape essas aberturas. Não coloque a impressora sobre uma superfície instável, como, por exemplo, uma cama ou um sofá, nem em locais onde não exista uma ventilação adequada.
- ❑ Mantenha o computador e a impressora afastados de fontes potenciais de interferências, tais como colunas de som ou suportes de telefones sem fios.
- ❑ Deixe espaço suficiente à volta da impressora para permitir a ventilação adequada.

Utilizar a impressora

- ❑ Tenha cuidado para não tocar no fusor, assinalado com a inscrição **ATENÇÃO**, nem nas áreas circundantes. Se a impressora tiver estado em funcionamento, a unidade de fusão e as áreas circundantes podem estar muito quentes. Se tiver de tocar numa destas áreas, aguarde 40 minutos até que a temperatura diminua.



* ATENÇÃO

- ❑ Não introduza a mão no interior da unidade de fusão porque alguns dos seus componentes são afiados e podem causar lesões.
- ❑ Não introduza objectos nas ranhuras da caixa exterior, pois estes poderão entrar em contacto com pontos de tensão perigosos ou provocar curto-circuitos que resultem em incêndios ou choques eléctricos.
- ❑ Não se sente nem se encoste à impressora. Não coloque objectos pesados em cima da impressora.
- ❑ Não utilize nenhum tipo de gás combustível na impressora ou em volta dela.
- ❑ Nunca tente encaixar à força os componentes da impressora. Apesar de a impressora ter uma concepção robusta, um tratamento descuidado pode danificá-la.
- ❑ Não deixe papel encravado no interior da impressora. Pode provocar o sobreaquecimento da impressora.
- ❑ Não verta líquidos sobre a impressora.
- ❑ Ajuste apenas os controlos descritos nas instruções de funcionamento. Um ajuste incorrecto de outros controlos poderá provocar danos na impressora que terão de ser reparados por um técnico de assistência qualificado.

- Não desligue a impressora:
 - Depois de ligar a impressora, aguarde até que Operacional apareça no visor LCD.
 - Ao imprimir ou durante outras operações, tais como a escrita de dados em dispositivos externos.
- Evite tocar nos componentes internos da impressora, a não ser que lhe sejam dadas instruções nesse sentido neste guia.
- Siga todos os avisos e instruções assinalados na impressora.
- À exceção das situações explicadas na documentação da impressora, não tente reparar este produto.
- Periodicamente, desligue a ficha da tomada eléctrica e limpe as lâminas.
- Não desligue a ficha com a impressora ligada.
- Se a impressora não for utilizada durante muito tempo, desligue a ficha da tomada eléctrica.
- Desligue a impressora da tomada de parede antes de a limpar.
- Limpe a impressora com um pano húmido bem torcido e não utilize líquidos nem aerossóis.
- Ao transportar a impressora, mantenha-a sempre na posição horizontal.
- Não retire à força o papel encravado. Se o papel se rasgar, a sua remoção pode ser difícil e pode conduzir a mais encravamentos. Puxe o papel com cuidado e firmeza para evitar rasgá-lo, cair e magoar-se.
- Não puxe o cabo de corrente ao desligar a ficha. Certifique-se de que segura sempre na ficha ao desligá-la.
- Não deixe a extremidade do papel roçar na pele, pois pode cortar-se.
- Ao transportar a impressora, desligue-a e retire o cabo de corrente da tomada eléctrica. Certifique-se de que desliga todos os cabos.

Manusear os consumíveis

- Não queime consumíveis usados porque podem explodir e ferir alguém. Deite-as fora de acordo com as normas em vigor.
- Mantenha os consumíveis fora do alcance das crianças.
- Quando manusear uma unidade de revelação, coloque-a sempre sobre uma superfície limpa e plana.

- ❑ Não tente modificar ou desmontar uma unidade de revelação.
- ❑ Não toque no toner. Mantenha sempre o toner afastado dos olhos. Em caso de contacto do toner com a pele ou a roupa, lave imediatamente a área afectada com água e sabão.
- ❑ Em caso de derrame de toner, utilize uma vassoura e uma pá de lixo, ou um pano humedecido com água e sabão para o limpar. Uma vez que as partículas finas podem causar incêndios ou explosões quando em contacto com faíscas, não utilize um aspirador.
- ❑ Se a unidade de revelação tiver sido submetida a variações de temperatura, aguarde no mínimo uma hora antes de a utilizar para evitar danos decorrentes da condensação.
- ❑ Para obter a máxima qualidade de impressão, não guarde a unidade de revelação numa área exposta a luz solar directa, pó, ar salgado ou gases corrosivos (como amoníaco). Evite locais sujeitos a temperaturas ou humidade extremas ou com alterações bruscas.
- ❑ Quando retirar a unidade de revelação, não a exponha de modo algum à luz solar e evite expô-la à luz ambiente durante mais de cinco minutos. A unidade de revelação contém um tambor fotossensível. A exposição à luz pode danificar o tambor, causar o aparecimento de áreas claras ou escuras na página impressa e reduzir a duração do tambor. Se precisar de manter a unidade de revelação fora da impressora durante longos períodos, tape-a com um pano opaco.
- ❑ Tenha cuidado para não riscar a superfície do tambor. Quando retirar a unidade de revelação da impressora, coloque-a sempre numa superfície limpa e plana. Evite tocar no tambor, uma vez que a gordura da pele pode danificar a sua superfície de forma permanente e afectar a qualidade de impressão.

Informações de Segurança

Etiquetas de segurança laser



Atenção:

A execução de operações e ajustes não especificados na documentação da impressora poderá expô-lo a radiações nocivas. Esta impressora está classificada como um produto laser de Classe 1, de acordo com as especificações da norma IEC60825. A etiqueta apresentada em seguida situa-se na parte posterior da impressora nos países onde é obrigatória.



Radiações laser internas

Existe um conjunto de diodo laser de Classe III b que possui um raio laser invisível no interior da unidade da cabeça da impressora. A cabeça de impressão NÃO PODE SER REPARADA. Como tal, a cabeça de impressão não deve ser aberta em nenhuma circunstância. Existe uma etiqueta adicional de aviso de laser no interior da impressora.



Ozono

Libertação de ozono

A libertação de ozono é um facto inerente ao processo de impressão característico das impressoras laser. Esta libertação verifica-se apenas durante a impressão.

Limite de exposição ao ozono

A impressora laser Epson liberta menos de 3 mg/h durante uma impressão contínua.

Minimizar os riscos

Para minimizar os riscos de exposição ao ozono, deve evitar:

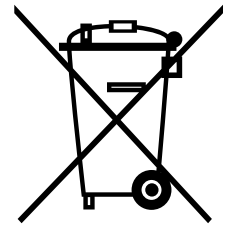
- Utilizar mais do que uma impressora laser numa área restrita
- Utilizar a impressora em locais com níveis de humidade muito baixos
- Locais com pouca ventilação
- Utilizar a impressora durante longos períodos de impressão contínua acompanhados por qualquer uma das condições anteriores

Onde instalar a impressora

Instale a impressora de forma a que os gases libertados e o calor gerado:

- Não sejam dirigidos para o rosto do utilizador
- Sejam ventilados para o exterior do edifício, sempre que possível

Battery Addendum



English

The crossed out wheeled bin label that can be found on your product indicates that this product and incorporated batteries should not be disposed of via the normal household waste stream. To prevent possible harm to the environment or human health please separate this product and its batteries from other waste streams to ensure that it can be recycled in an environmentally sound manner. For more details on available collection facilities please contact your local government office or the retailer where you purchased this product. Use of the chemical symbols Pb, Cd or Hg indicates if these metals are used in the battery.

Deutsch

Der Aufkleber mit durchgekrenzter Mülltonne an diesem Produkt weist darauf hin, dass dieses Produkt und darin enthaltene Batterien nicht im normalen Hausmüll entsorgt werden dürfen. Zur Vermeidung einer möglichen Beeinträchtigung der Umwelt oder der menschlichen Gesundheit und um zu gewährleisten, dass es in einer umweltverträglichen Weise recycelt wird, darf dieses Produkt mitsamt den Batterien nicht in den Hausmüll gegeben werden. Informationen zu Entsorgungseinrichtungen erhalten Sie bei der zuständigen Behörde oder dem Händler, bei dem Sie dieses Produkt erworben haben. Die Angabe der chemischen Zeichen Pb, Cd oder Hg bedeutet, dass diese Metalle in der Batterie verwendet werden.

Français

L'étiquette apposée sur ce produit et représentant une poubelle barrée indique que le produit et les piles intégrées ne peuvent être mis au rebut avec les déchets domestiques normaux. Afin d'éviter d'éventuels dommages au niveau de l'environnement ou sur la santé, veuillez séparer ce produit et ses piles des autres déchets de manière à garantir qu'ils soient recyclés de manière sûre au niveau environnemental. Pour plus de détails sur les sites de collecte existants, veuillez contacter l'administration locale ou le détaillant auprès duquel vous avez acheté ce produit. Les symboles chimiques Pb, Cd et Hg sont utilisés pour désigner les métaux présents dans les piles.

Italiano

L'etichetta con il contenitore barrato applicata sull'imballo indica che il prodotto e le batterie incluse non devono essere smaltiti tramite la procedura normale di smaltimento dei rifiuti domestici. Per evitare eventuali danni all'ambiente e alla salute umana, separare questo prodotto e le relative batterie da altri rifiuti domestici in modo che possano essere riciclati in base alle procedure di rispetto dell'ambiente. Per maggiori dettagli sulle strutture di raccolta disponibili, contattare l'ufficio competente del proprio comune o il rivenditore del prodotto. L'uso dei simboli chimici Pb, Cd o Hg indica la presenza di tali metalli nelle batterie.

Español

La etiqueta de un contenedor tachado que hallará en su producto indica que este producto y sus pilas no se pueden tirar con la basura doméstica normal. Para impedir posibles daños medioambientales o para la salud, separe este producto y sus pilas de otros canales de desecho para garantizar que se recicle de una forma segura para el medio ambiente. Para más información sobre las instalaciones de recolección disponibles, diríjase a las autoridades locales o al punto de venta donde adquirió este producto. Los símbolos químicos Pb, Cd o Hg indican que las pilas contienen ese metal.

Português

A etiqueta com o símbolo de um contentor de lixo traçado com uma cruz que aparece no produto indica que este produto e as pilhas incluídas não devem ser deitados fora juntamente com o lixo doméstico. Para evitar possíveis danos no ambiente ou na saúde pública, por favor separe este produto e respectivas pilhas de outros lixos; desta forma, terá a certeza de que podem ser reciclados através de métodos não prejudiciais ao ambiente. Para obter mais informações sobre os locais de recolha de lixo disponíveis, contacte a sua junta de freguesia, câmara municipal ou local onde comprou este produto. A utilização dos símbolos químicos Pb, Cd ou Hg indica se estes metais são utilizados na pilha.

Nederlands

Op uw product is een label van een rolcontainer met een kruis erdoor aangebracht. Dit label wil zeggen dat dit product en de batterijen in het product niet bij het normale huishoudelijk afval mogen worden ingezameld. Om eventuele schade aan het milieu of de gezondheid van de mens te voorkomen moeten dit product en de batterijen gescheiden van al het ander afval worden ingezameld, zodat alles op een verantwoorde wijze kan worden verwerkt. Voor meer informatie over uw lokale afvalinzameling wendt u zich tot uw gemeente of de leverancier bij wie u dit product hebt gekocht. Gebruik van de chemische symbolen Pb, Cd of Hg geeft aan of deze metalen worden gebruikt in de batterij.

Dansk

Etiketten med et kryds over skraldespanden på hjul, der sidder på produktet, angiver, at dette produkt og dets batterier ikke må bortskaffes sammen med almindeligt husholdningsaffald. For at beskytte miljø og helbred skal dette produkt og dets batterier bortskaffes separat, så disse dele kan genbruges på en måde, der er god for miljøet. Kontakt de lokale myndigheder eller den forhandler, hos hvem du har købt produktet, vedrørende steder, hvor du kan aflevere produktet. Brugen af de kemiske symboler Pb, Cd eller Hg angiver, om disse metaller er anvendt i batteriet.

Suomi

Laitte on merkitty jäteastia-symbolilla, jonka yli on vedetty rasti. Tämä tarkoittaa, ettei laitetta tai siihen kuuluvia paristoja saa hävittää normaalin talousjätteen mukana. Älä hävitä laitetta tai sen paristoja normaalin jätteen seassa vaan varmista, että laite kierrätetään ympäristöystävällisellä tavalla, jottei ympäristölle tai ihmisille aiheudu vahinkoa. Lisätietoja kierrätyksestä ja keräyspisteistä saa ottamalla yhteyttä paikallisiin viranomaisiin tai jälleenmyyjään, jolta laite ostettiin. Kemiallisten merkien Pb (lyijy), Cd (kadmium) tai Hg (elohopea) käyttö ilmaisee, että paristo sisältää kyseistä metallia.

Svenska

Symbolen med en överkorsad soptunna innebär att denna produkt och tillhörande batterier inte får kastas i vanligt hushållsavfall. För att skydda miljön ska denna produkt och dess batterier inte kastas tillsammans med vanligt hushållsavfall utan lämnas för återvinning på tillbörligt sätt. För mer information om uppsamlingsplatser kontakta din lokala myndighet eller den återförsäljare där du har köpt produkten. De kemiska symbolerna Pb, Cd eller Hg visar om dessa metaller används i batteriet.

Norsk

Etiketten på hjulbeholderen på produktet ditt antyder at produktet og batteriene som hører med, ikke skal avhendes sammen med vanlig husholdningsavfall. Hold produktet og batteriene atskilt fra annet avfall, slik at det kan resirkuleres på en miljømessig og forsvarlig måte og dermed forhindre eventuell skade på miljø eller helse. Kontakt lokale myndigheter, eller din forhandler, for mer informasjon angående avhenting av produktet. De kjemiske symbolene Pb, Cd og Hg antyder om disse metallene har blitt brukt i batteriet.

Česky

Štítek s přeškrtnutým odpadkovým košem na kolečkách, který lze nalézt na výrobku, označuje, že se tento výrobek a přiložené baterie nemají likvidovat s běžným domovním odpadem. V zájmu ochrany životního prostředí a lidského zdraví zlikvidujte tento výrobek a jeho baterie jako tříděný odpad, který se recykluje způsobem šetrným k životnímu prostředí. Podrobnější informace o sběrných dvorech pro tříděný odpad získáte na obecním úřadě nebo u prodejce, u kterého jste tento výrobek zakoupili. Použité chemické značky Pb, Cd nebo Hg označují, zda baterie obsahuje tyto kovy.

Magyar

A terméken található, áthúzott szemetest ábrázoló címke azt jelzi, hogy ezt a terméket és a hozzá tartozó elemeket nem szabad a rendes háztartási szeméttel együtt kidobni. Az esetleges környezeti- vagy egészségkárosodást megelőzendő, kérjük, hogy ezt a terméket és az elemeket a többi szeméttől elkülönítve helyezze el, és biztosítsa, hogy azt környezetbarát módon újrahasznosítsák. A rendelkezésére álló begyűjtő létesítményekről kérjük tájékozódjon a megfelelő helyi állami szerveknél vagy a viszonteladónál, ahol a terméket vásárolta. A Pb, Cd vagy Hg vegyjelek jelzik, ha ilyen fémeket is felhasználtak az elem gyártása során.

Polski

Symbol przekreślonego kosza znajdujący się na produkcie oznacza, że nie można produktu oraz wewnętrzznego akumulatora utylizować razem z normalnymi odpadami z gospodarstwa domowego. Aby zapobiec potencjalnemu zagrożeniu dla środowiska lub zdrowia ludzkiego, produkt oraz wewnętrzny akumulator należy odseparować od reszty odpadów z gospodarstwa domowego i utylizować w ekologicznie właściwy sposób. Szczegółowe informacje na temat punktów zbiórki odpadów można uzyskać w lokalnych urzędach lub u sprzedawcy danego produktu. Symbole chemiczne Pb, Cd lub Hg oznaczają, że metale te zostały zastosowane w akumulatorze.

Slovensky

Štítok s preškrtnutým odpadkovým košom na kolieskach, ktorý je možné nájsť na výrobku, označuje, že tento produkt a obsiahnuté batérie sa nemajú likvidovať s bežným komunálnym odpadom. V záujme ochrany životného prostredia a ľudského zdravia zlikvidujte tento výrobok a batérie ako triedený odpad, ktorý sa recykluje spôsobom šetrným k životnému prostrediu. Podrobnejšie informácie o zberných dvoroch pre triedený odpad získate na obecnom úrade alebo u predajcu, u ktorého ste príslušný výrobok zakúpili. Použitie chemických značiek Pb, Cd alebo Hg znamená, že tieto kovy sú použité v batériách.

Slovenski

Prečrtan koš za smeti na etiketi, katero lahko najdete na vašem izdelku, pomeni, da niti tega izdelka niti njegovih baterij ne smete odvreči podobno kot vse ostale smeti. Da bi preprečili morebitne škodljive vplive na okolje ali zdravje, ločite izdelek in njegove baterije od vseh ostalih odpadkov in poskrbite, da bodo reciklirani na okolju prijazen način. Natančne informacije o tem, kje se nahajajo primerna odlagališča, pridobite v vašem krajevnem uradu ali pri prodajalcu. Kemijski simboli Pb, Cd in Hg označujejo, katere kovine vsebuje baterija.

Eesti

Teie tootele kleebitud tähis, mis kujutab ratastega prügikonteinerit, millele on rist peale tõmmatud, keelab toote ja sellega kaasasolevate patareide kõrvaldamise majapidamisjäätmetega sarnasel viisil. Keskkonnale või inimeste tervisele tekitava võimaliku kahju vältimiseks eraldage toode ja selle patareid teistest jäätmetest, et tagada nende korduvkasutamise keskkonnasäästlikul viisil. Kui soovite saada rohkem teavet võimalike kogumispunktide kohta, võtke ühendust kohaliku omavalituse ametnikuga või teile toote müünud jaemüüjaga. Keemiliste sümbolite Pb, Cd või Hg kasutamise näitab, kas tootes on vastavaid metalle kasutatud.

Lietuviškai

Užbraukta ratuota šiukšliadėžės etiketė, kurią rasite ant jūsų produkto, reiškia, kad šis produktas ir pridedamos baterijos neturėtų būti išmestas kartu su įprastinėmis buitinėmis šiukšlėmis. Siekiant išvengti galimos žalos aplinkai bei žmonių sveikatai, prašome atskirti šį produktą ir pridedamas baterijas nuo kitų atliekų, ir įsitikinti, kad jis būtų perdirbtas aplinkai nepavojing būdu. Jei reikia išsamesnės informacijos apie atliekų surinkimo ypatumus, prašome kreiptis į savo vietos valdžios įstaigas arba į mažmeninį pardavėją, iš kurio jūs įsigijote šį produktą. Atitinkamų metalų naudojimas baterijose yra pažymėtas cheminiais simboliais Pb, Cd arba Hg ant baterijų.

Latviski

Marķējums ar pārsvītrotu atkritumu tvertni uz ritenīšiem, kas redzams uz izstrādājuma, norāda, ka šo izstrādājumu un tajā iekļautās baterijas nedrīkst likvidēt kopā ar parastajiem sadzīves atkritumiem. Lai novērstu iespējamo kaitējumu videi vai cilvēku veselībai, lūdzu, atdaliet šo izstrādājumu un tā baterijas no citiem atkritumiem, tādējādi nodrošinot tā otrreizējo pārstrādi videi drošā veidā. Papildinformācijai par pieejamajām atkritumu savākšanas iespējām, lūdzu, sazinieties ar vietējo pašvaldību vai mazumtirgotāju, no kura jūs iegādājāties šo izstrādājumu. Ķīmisko simbolu Pb, Cd un Hg izmantošana uz marķējuma nozīmē, ka šie metāli ir izmantoti baterijā.

Ελληνικά

Η διαγραμμένη ετικέτα του τροχοφόρου κάδου απορριμμάτων που θα βρείτε πάνω στο προϊόν σας υποδεικνύει ότι αυτό το προϊόν και οι ενσωματωμένες μπαταρίες δεν πρέπει να απορρίπτεται μέσω του κανονικού δικτύου αποκομιδής οικιακών απορριμμάτων. Για να αποτρέψετε πιθανές επιπτώσεις στο περιβάλλον ή την ατομική υγεία, παρακαλούμε να διαχωρίσετε αυτό το προϊόν και τις μπαταρίες του από άλλα δίκτυα αποκομιδής ώστε να διασφαλίσετε ότι είναι δυνατή η ανακύκλωσή του με έναν περιβαλλοντικά θεμιτό τρόπο. Για περισσότερες πληροφορίες σχετικά με τις διαθέσιμες δυνατότητες συλλογής απορριμμάτων, παρακαλούμε να επικοινωνήσετε με την τοπική κυβερνητική αρχή ή το κατάστημα λιανικής από όπου αγοράσατε αυτό το προϊόν. Η χρήση των χημικών συμβόλων Pb, Cd ή Hg υποδεικνύει εάν χρησιμοποιούνται τα μέταλλα αυτά στην μπαταρία.

Türkçe

Ürününüzün üzerinde bulunan çarpi işaretli tekerlekli kutu etiketi, bu ürünün ve beraberinde gelen pillerin normal ev atık sistemi vasıtasıyla elden çıkarılmaması gerektiğini gösterir. Çevreye ve insan sağlığına zarar vermeyei önlemek için, lütfen bu ürünü ve pillerini çevreye zarar vermeyecek şekilde geri dönüşüme tabi tutulmak üzere diğer atıklardan ayırın. Mevcut toplama tesisleri ile ilgili ayrıntılı bilgi edinmek için, yerel devlet makamlarıyla veya bu ürünü satın aldığınız satıcıyla irtibata geçin. Pb, Cd veya Hg kimyasal sembollerinin kullanılması, bu metallerin pillerin üretiminde kullanılıp kullanılmadığını ifade eder.

Română

Eticheta arătând un coș de gunoi tăiat cu două linii încrucișate, care poate fi găsită pe produs, indică faptul că acesta și bateriile încorporate nu trebuie aruncate la gunoi laolaltă cu gunoiul menajer. Pentru a evita posibila degradare a mediului înconjurător sau a sănătății umane, colectați separat acest produs și bateriile încorporate și nu împuneți cu gunoiul menajer pentru a vă asigura că acestea pot fi reciclate într-un mod ecologic. Pentru mai multe detalii privind punctele disponibile de colectare, contactați autoritățile locale sau comerciantul de la care ați achiziționat acest produs. Utilizarea simbolurilor unor substanțe chimice precum Pb, Cd sau Hg indică faptul că aceste metale sunt utilizate în baterie.

Български

Етикетът, представляващ зачертано кошче за боклук в кръг, който можете да видите върху вашия продукт, означава, че този продукт и батериите към него не трябва да се изхвърлят заедно с обикновените домакински отпадъци. За предпазване от евентуални щети върху околната среда или човешкото здраве, моля, отделете този продукт и батериите му от останалите отпадъци, за да се гарантира, че той ще бъде рециклиран по екологично съобразен начин. За повече информация относно наличните места за събиране на отпадъци, моля, свържете се с местните власти или търговеца, от когото сте закупили този продукт. Химическите символи Pb, Cd и Hg подсочват дали съответните метали са използвани в батерията.

This information only applies to customers in the European Union, according to DIRECTIVE 2006/66/EC OF THE EUROPEAN PARLIAMENT AND OF THE COUNCIL OF 6 September 2006 on batteries and accumulators and waste batteries and accumulators and repealing Directive 91/157/EEC and legislation transposing and implementing it into the various national legal systems.

For other countries, please contact your local government to investigate the possibility of recycling your product.

Veiligheidsvoorschriften

Waarschuwingen, voorzorgsmaatregelen en opmerkingen

**Waarschuwingen**

moet u zorgvuldig in acht nemen om lichamelijk letsel te voorkomen.

**Voorzorgsmaatregelen**

worden aangeduid met 'Let op' en moeten worden nageleefd om schade aan het apparaat te voorkomen.

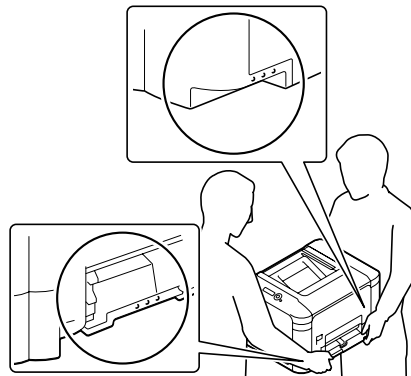
Opmerkingen

bevatten belangrijke informatie over en tips voor het gebruik van de printer.

Belangrijke veiligheidsvoorschriften

Printer installeren

- ❑ Omdat de printer ongeveer 27 kg weegt met verbruiksproducten geïnstalleerd, moet hij niet worden opgetild of gedragen door één persoon. De printer moet door twee personen worden opgetild en moet worden vastgepakt op de juiste posities, zoals hieronder wordt weergegeven.



- ❑ Als de stekker niet in het stopcontact past, neemt u contact op met een elektricien.

- Controleer of de voedingskabel aan de lokale veiligheidsnormen voldoet. Gebruik alleen de voedingskabel die bij dit product is geleverd. Gebruik van een andere kabel kan brand of elektrische schokken veroorzaken. Deze voedingskabel mag alleen met dit product worden gebruikt. Gebruik met andere apparaten kan brand of elektrische schokken veroorzaken.
- Als de stekker beschadigd is, moet u het snoer vervangen of de hulp van een erkend elektricien inroepen. Vervang eventuele zekeringen in de stekker alleen door zekeringen van het juiste type.
- Gebruik een geaard stopcontact dat geschikt is voor de stekker van de printer. Gebruik geen verloopstekker.
- Gebruik geen stopcontact met een schakelaar of een automatische tijdschakelklok. Als de voeding per ongeluk wordt onderbroken, kunnen belangrijke gegevens in het geheugen van de computer en printer verloren gaan.
- Zorg ervoor dat er geen stof op de aansluitingen zit.
- Steek de stekker volledig in het stopcontact.
- Kom niet met natte handen aan de stekker.
- Haal in de volgende gevallen de stekker uit het stopcontact en doe een beroep op een onderhoudsmonteur:
 - A. als het netsnoer of de stekker beschadigd is;
 - B. als er vloeistof in de printer is gekomen;
 - C. als de printer is blootgesteld aan regen of water;
 - D. als de printer niet normaal werkt terwijl alle instructies goed zijn opgevolgd (wijzig alleen instellingen waarvoor een procedure is opgenomen in de handleiding. Als u andere instellingen wijzigt, brengt u mogelijk schade aan het product toe die alleen door een ervaren onderhoudsmonteur kan worden hersteld);
 - E. als de printer is gevallen of als de behuizing beschadigd is;
 - F. als de printer niet normaal werkt of als er een duidelijke wijziging in de prestaties optreedt.
- Gebruik geen stopcontacten waarop andere apparaten zijn aangesloten.
- Sluit alle apparaten aan op een goed geaard stopcontact. Gebruik geen stopcontact in dezelfde groep als een kopieerapparaat of een airconditioning (apparaten die regelmatig worden in- en uitgeschakeld).

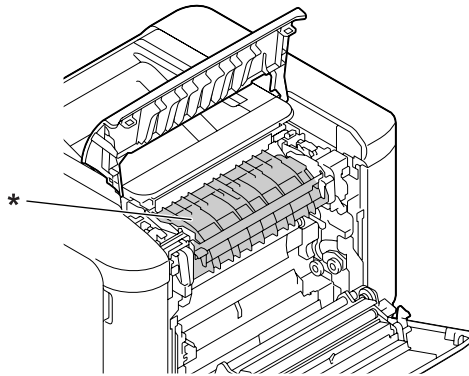
- Sluit de printer aan op een stopcontact dat voldoet aan de stroomvereisten voor deze printer. De stroomvereisten van de printer staan op een etiket aan de achterzijde van de printer. Neem contact op met het energiebedrijf of met uw leverancier als u vragen hebt over de specificaties voor de netvoeding.
- Als u een verlengsnoer gebruikt voor de printer, mag de totale stroombelasting in ampère van alle aangesloten apparaten niet hoger zijn dan de maximale belasting voor het verlengsnoer.
- Let bij het aansluiten van dit apparaat op een computer of ander apparaat op de juiste richting van de stekkers van de kabel. Elke stekker kan maar op één manier in het apparaat worden gestoken. Wanneer u een stekker op een verkeerde manier in het apparaat steekt, kunnen beide apparaten die via de kabel met elkaar verbonden zijn, beschadigd raken.
- Zorg er bij het gebruik van de optionele papercassette voor dat u de positioneerpennen correct geïnstalleerd heeft. Instructies voor het installeren van de positioneerpennen vindt u in de Gebruikershandleiding.

Plaats voor de printer bepalen

- Plaats de printer in de buurt van een stopcontact, zodat u de stekker makkelijk in het stopcontact kunt steken en ook weer makkelijk kunt verwijderen.
- Plaats de printer zodanig dat niemand op het netsnoer kan gaan staan.
- Gebruik de printer niet in een vochtige omgeving.
- Stel de printer niet bloot aan direct zonlicht, extreme hitte, vocht, oliedampen of stof.
- Zet de printer niet op een onstabiele ondergrond.
- De openingen in de behuizing dienen voor ventilatie. U mag deze openingen niet afdekken. Zet de printer niet op een bed, bank, tapijt of soortgelijke ondergrond. Zet de printer ook nooit in een kleine, afgesloten ruimte, tenzij er voldoende ventilatie rond de printer is.
- Plaats computer en printer niet in de buurt van mogelijke bronnen van elektromagnetische storingen, zoals luidsprekers en basisstations van draadloze telefoons.
- Laat rond de printer voldoende ruimte vrij voor een goede ventilatie.

Gebruik van de printer

- Zorg dat u niet de fixeereenheid, aangegeven met **LET OP**, of het omliggende gebied aanraakt. Wanneer de printer in gebruik is, kan de fixeereenheid zeer warm worden. Als u een van deze delen moet aanraken, moet u het apparaat eerst 40 minuten laten afkoelen.



* LET OP

- Steek uw hand niet te ver in de fixeereenheid. Sommige onderdelen zijn scherp en kunnen letsel veroorzaken.
- Steek nooit iets door de openingen in de behuizing. U zou onderdelen kunnen raken die onder een gevaarlijk hoge spanning staan of u zou kortsluiting kunnen veroorzaken met alle risico's van dien voor brand of elektrische schokken.
- Ga niet op de printer zitten en leun er niet op. Zet geen zware voorwerpen op de printer.
- Gebruik geen ontvlambare gassen in of rond de printer.
- Ga steeds rustig te werk bij het plaatsen van onderdelen. Hoewel de printer tegen een stootje kan, kunnen onderdelen door onnodig gebruik van kracht beschadigd worden.
- Laat vastgelopen papier niet in de printer zitten. Hierdoor kan de printer oververhit raken.
- Mors geen vloeistoffen in de printer.
- Wijzig alleen instellingen waarvoor een procedure is opgenomen in de handleiding. Als u andere instellingen wijzigt, brengt u mogelijk schade aan het product toe die alleen door een ervaren onderhoudsmonteur kan worden hersteld.

- In de volgende gevallen moet u de printer niet uitschakelen:
 - Nadat u de printer hebt ingeschakeld, wacht u totdat Ready (Gereed) op het display verschijnt.
 - Tijdens het afdrukken of tijdens andere bewerkingen, zoals het schrijven van gegevens naar externe apparaten.
- Raak de onderdelen in het binnenwerk van de printer nooit aan, tenzij dit wordt voorgeschreven in deze handleiding.
- Neem alle waarschuwingen en voorschriften die op de printer zelf staan in acht.
- Probeer dit apparaat niet zelf te repareren, tenzij dit duidelijk staat uitgelegd in de printerdocumentatie.
- Trek regelmatig de stekker uit het stopcontact en maak de pennen schoon.
- Trek de stekker niet uit het stopcontact terwijl de printer aanstaat.
- Trek de stekker uit het stopcontact als de printer langere tijd niet zal worden gebruikt.
- Trek de stekker van de printer uit het stopcontact vóór het schoonmaken.
- Gebruik voor het schoonmaken een licht vochtige doek. Gebruik geen vloeibare reinigingsmiddelen of spuitbussen.
- Houd de printer altijd horizontaal wanneer u deze verplaatst.
- Verwijder vastgelopen papier voorzichtig. Het is vaak lastig om gescheurd papier te verwijderen. Het kan andere papierstoringen veroorzaken. Trek het papier voorzichtig los zodat het niet scheurt of valt en u uzelf niet verwondt.
- Trek niet aan de stroomkabel als u de stekker eruit trekt. Houd altijd de stekker vast als u deze uittrekt.
- Pas op dat u de rand van het papier niet over uw huid laat gaan. U kunt u snijden.
- Bij het vervoeren van de printer dient u deze uit te zetten en de stekker uit het stopcontact te halen. Zorg ervoor dat u alle kabels ontkoppelt.

Omgaan met verbruiksgoederen

- Gebruikte verbruiksgoederen mogen niet worden verbrand. Ze kunnen ontploffen en letsel veroorzaken. Neem bij het weggooien van deze onderdelen de geldende milieuvoorschriften in acht.
- Bewaar de verbruiksmaterialen buiten het bereik van kinderen.

- Plaats een tonercartridge altijd op een schone, vlakke ondergrond.
- Haal tonercartridges niet uit elkaar en breng geen aanpassingen aan.
- Raak de toner niet aan. Zorg dat u geen toner in uw ogen krijgt. Wanneer er toner op uw huid of kleding valt, wast u dit direct af met water en zeep.
- Gebruik een stoffer en blik of een vochtig doekje met water en zeep om gemorste toner op te ruimen. Gebruik geen stofzuiger, omdat het gebruik van een stofzuiger een brand of explosie kan veroorzaken wanneer de kleine deeltjes in contact komen met een vonk.
- Als u een tonercartridge van een koude in een warme ruimte brengt, moet u ten minste één uur wachten voor u de cartridge gebruikt om schade door condensatie te voorkomen.
- Voor een optimale afdrukkwaliteit kunt u de tonercartridge beter niet bewaren in ruimten met direct zonlicht, stof, zilte lucht of bijtende gassen (bijvoorbeeld ammoniakgas). Vermijd ruimtes die onderhevig zijn aan plotselinge schommelingen in temperatuur en vochtigheid.
- Zorg ervoor dat tonercartridges bij het verwijderen niet aan zonlicht worden blootgesteld en voorkom dat ze meer dan vijf minuten aan kunstlicht worden blootgesteld. De tonercartridge bevat een lichtgevoelige rol. Als u de rol blootstelt aan licht, kunnen er donkere of lichte vlekken ontstaan op de afdrukken. Ook slijt de rol dan sneller. Wanneer u de tonercartridge voor langere tijd uit de printer verwijdert, kunt u deze het beste afdekken met een ondoorschijnende doek.
- Pas op voor krassen aan het oppervlak van de rol. Plaats de tonercartridge altijd op een schone en vlakke ondergrond wanneer u deze uit de printer neemt. Raak de rol niet aan; huidvetten kunnen het oppervlak definitief beschadigen en de afdrukkwaliteit nadelig beïnvloeden.

Veiligheidsinformatie

Laserbeveiliging



Waarschuwing:

Als u procedures uitvoert of wijzigingen aanbrengt die niet in de printerdocumentatie zijn beschreven, kunt u worden blootgesteld aan gevaarlijke straling. Uw printer is een laserproduct van de klasse 1 volgens de IEC60825-specificaties. In de landen waar dit verplicht is, is het hier getoonde label achter de printer aangebracht.



Interne laserstraling

De printkop bevat een laserdiode van klasse III b met onzichtbare laserstraal. De printkop vergt GEEN ENKEL ONDERHOUD. De printkop mag in geen enkel geval worden geopend. Binnen in de printer is een extra waarschuwingslabel voor de laser aangebracht.



Ozon

Verspreiding van ozon

Ozon is een gas dat door laserprinters wordt geproduceerd. Dit gebeurt alleen tijdens het afdrucken.

Ozonlimiet

De Epson-laserprinter genereert minder dan 3 mg ozon per uur continu afdrukken.

Risicobeperking

U kunt het risico van blootstelling aan ozon minimaliseren door de volgende omstandigheden te voorkomen:

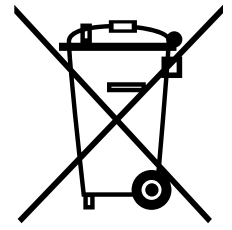
- gebruik van meerdere laserprinters in een kleine ruimte;
- gebruik in een zeer lage luchtvochtigheid;
- gebruik in slecht geventileerde ruimten;
- langdurig en onafgebroken afdrukken in een van de hierboven genoemde omstandigheden.

Locatie van de printer

De printer moet zodanig worden geplaatst dat de geproduceerde gassen en warmte:

- niet rechtstreeks in het gezicht van de gebruiker worden geblazen;
- zo mogelijk rechtstreeks worden afgevoerd tot buiten het gebouw.

Battery Addendum



English

The crossed out wheeled bin label that can be found on your product indicates that this product and incorporated batteries should not be disposed of via the normal household waste stream. To prevent possible harm to the environment or human health please separate this product and its batteries from other waste streams to ensure that it can be recycled in an environmentally sound manner. For more details on available collection facilities please contact your local government office or the retailer where you purchased this product. Use of the chemical symbols Pb, Cd or Hg indicates if these metals are used in the battery.

Deutsch

Der Aufkleber mit durchgekrenzter Mülltonne an diesem Produkt weist darauf hin, dass dieses Produkt und darin enthaltene Batterien nicht im normalen Hausmüll entsorgt werden dürfen. Zur Vermeidung einer möglichen Beeinträchtigung der Umwelt oder der menschlichen Gesundheit und um zu gewährleisten, dass es in einer umweltverträglichen Weise recycelt wird, darf dieses Produkt mitsamt den Batterien nicht in den Hausmüll gegeben werden. Informationen zu Entsorgungseinrichtungen erhalten Sie bei der zuständigen Behörde oder dem Händler, bei dem Sie dieses Produkt erworben haben. Die Angabe der chemischen Zeichen Pb, Cd oder Hg bedeutet, dass diese Metalle in der Batterie verwendet werden.

Français

L'étiquette apposée sur ce produit et représentant une poubelle barrée indique que le produit et les piles intégrées ne peuvent être mis au rebut avec les déchets domestiques normaux. Afin d'éviter d'éventuels dommages au niveau de l'environnement ou sur la santé, veuillez séparer ce produit et ses piles des autres déchets de manière à garantir qu'ils soient recyclés de manière sûre au niveau environnemental. Pour plus de détails sur les sites de collecte existants, veuillez contacter l'administration locale ou le détaillant auprès duquel vous avez acheté ce produit. Les symboles chimiques Pb, Cd et Hg sont utilisés pour désigner les métaux présents dans les piles.

Italiano

L'etichetta con il contenitore barrato applicata sull'imballo indica che il prodotto e le batterie incluse non devono essere smaltiti tramite la procedura normale di smaltimento dei rifiuti domestici. Per evitare eventuali danni all'ambiente e alla salute umana, separare questo prodotto e le relative batterie da altri rifiuti domestici in modo che possano essere riciclati in base alle procedure di rispetto dell'ambiente. Per maggiori dettagli sulle strutture di raccolta disponibili, contattare l'ufficio competente del proprio comune o il rivenditore del prodotto. L'uso dei simboli chimici Pb, Cd o Hg indica la presenza di tali metalli nelle batterie.

Español

La etiqueta de un contenedor tachado que hallará en su producto indica que este producto y sus pilas no se pueden tirar con la basura doméstica normal. Para impedir posibles daños medioambientales o para la salud, separe este producto y sus pilas de otros canales de desecho para garantizar que se recicle de una forma segura para el medio ambiente. Para más información sobre las instalaciones de recolección disponibles, diríjase a las autoridades locales o al punto de venta donde adquirió este producto. Los símbolos químicos Pb, Cd o Hg indican que las pilas contienen ese metal.

Português

A etiqueta com o símbolo de um contentor de lixo traçado com uma cruz que aparece no produto indica que este produto e as pilhas incluídas não devem ser deitados fora juntamente com o lixo doméstico. Para evitar possíveis danos no ambiente ou na saúde pública, por favor separe este produto e respectivas pilhas de outros lixos; desta forma, terá a certeza de que podem ser reciclados através de métodos não prejudiciais ao ambiente. Para obter mais informações sobre os locais de recolha de lixo disponíveis, contacte a sua junta de freguesia, câmara municipal ou local onde comprou este produto. A utilização dos símbolos químicos Pb, Cd ou Hg indica se estes metais são utilizados na pilha.

Nederlands

Op uw product is een label van een rolcontainer met een kruis erdoor aangebracht. Dit label wil zeggen dat dit product en de batterijen in het product niet bij het normale huishoudelijk afval mogen worden ingezameld. Om eventuele schade aan het milieu of de gezondheid van de mens te voorkomen moeten dit product en de batterijen gescheiden van al het ander afval worden ingezameld, zodat alles op een verantwoorde wijze kan worden verwerkt. Voor meer informatie over uw lokale afvalinzameling wendt u zich tot uw gemeente of de leverancier bij wie u dit product hebt gekocht. Gebruik van de chemische symbolen Pb, Cd of Hg geeft aan of deze metalen worden gebruikt in de batterij.

Dansk

Etiketten med et kryds over skraldespanden på hjul, der sidder på produktet, angiver, at dette produkt og dets batterier ikke må bortskaffes sammen med almindeligt husholdningsaffald. For at beskytte miljø og helbred skal dette produkt og dets batterier bortskaffes separat, så disse dele kan genbruges på en måde, der er god for miljøet. Kontakt de lokale myndigheder eller den forhandler, hos hvem du har købt produktet, vedrørende steder, hvor du kan aflevere produktet. Brugen af de kemiske symboler Pb, Cd eller Hg angiver, om disse metaller er anvendt i batteriet.

Suomi

Laitte on merkitty jäteastia-symbolilla, jonka yli on vedetty rasti. Tämä tarkoittaa, ettei laitetta tai siihen kuuluvia paristoja saa hävittää normaalin talousjätteen mukana. Älä hävitä laitetta tai sen paristoja normaalin jätteen seassa vaan varmista, että laite kierrätetään ympäristöystävällisellä tavalla, jottei ympäristölle tai ihmisille aiheudu vahinkoa. Lisätietoja kierrätyksestä ja keräyspisteistä saa ottamalla yhteyttä paikallisiin viranomaisiin tai jälleenmyyjään, jolta laite ostettiin. Kemiallisten merkien Pb (lyijy), Cd (kadmium) tai Hg (elohopea) käyttö ilmaisee, että paristo sisältää kyseistä metallia.

Svenska

Symbolen med en överkorsad soptunna innebär att denna produkt och tillhörande batterier inte får kastas i vanligt hushållsavfall. För att skydda miljön ska denna produkt och dess batterier inte kastas tillsammans med vanligt hushållsavfall utan lämnas för återvinning på tillbörligt sätt. För mer information om uppsamlingsplatser kontakta din lokala myndighet eller den återförsäljare där du har köpt produkten. De kemiska symbolerna Pb, Cd eller Hg visar om dessa metaller används i batteriet.

Norsk

Etiketten på hjulbeholderen på produktet ditt antyder at produktet og batteriene som hører med, ikke skal avhendes sammen med vanlig husholdningsavfall. Hold produktet og batteriene atskilt fra annet avfall, slik at det kan resirkuleres på en miljømessig og forsvarlig måte og dermed forhindre eventuell skade på miljø eller helse. Kontakt lokale myndigheter, eller din forhandler, for mer informasjon angående avhenting av produktet. De kjemiske symbolene Pb, Cd og Hg antyder om disse metallene har blitt brukt i batteriet.

Česky

Štítek s přeškrtnutým odpadkovým košem na kolečkách, který lze nalézt na výrobku, označuje, že se tento výrobek a přiložené baterie nemají likvidovat s běžným domovním odpadem. V zájmu ochrany životního prostředí a lidského zdraví zlikvidujte tento výrobek a jeho baterie jako tříděný odpad, který se recykluje způsobem šetrným k životnímu prostředí. Podrobnější informace o sběrných dvorech pro tříděný odpad získáte na obecním úřadě nebo u prodejce, u kterého jste tento výrobek zakoupili. Použité chemické značky Pb, Cd nebo Hg označují, zda baterie obsahuje tyto kovy.

Magyar

A terméken található, áthúzott szemetest ábrázoló címke azt jelzi, hogy ezt a terméket és a hozzá tartozó elemeket nem szabad a rendes háztartási szeméttel együtt kidobni. Az esetleges környezeti- vagy egészségkárosodást megelőzendő, kérjük, hogy ezt a terméket és az elemeket a többi szeméttől elkülönítve helyezze el, és biztosítsa, hogy azt környezetbarát módon újrahasznosítsák. A rendelkezésére álló begyűjtő létesítményekről kérjük tájékozódjon a megfelelő helyi állami szerveknél vagy a viszonteladónál, ahol a terméket vásárolta. A Pb, Cd vagy Hg vegyjelek jelzik, ha ilyen fémeket is felhasználtak az elem gyártása során.

Polski

Symbol przekreślonego kosza znajdujący się na produkcie oznacza, że nie można produktu oraz wewnętrzznego akumulatora utylizować razem z normalnymi odpadami z gospodarstwa domowego. Aby zapobiec potencjalnemu zagrożeniu dla środowiska lub zdrowia ludzkiego, produkt oraz wewnętrzny akumulator należy odseparować od reszty odpadów z gospodarstwa domowego i utylizować w ekologicznie właściwy sposób. Szczegółowe informacje na temat punktów zbiórki odpadów można uzyskać w lokalnych urzędach lub u sprzedawcy danego produktu. Symbole chemiczne Pb, Cd lub Hg oznaczają, że metale te zostały zastosowane w akumulatorze.

Slovensky

Štítok s preškrtnutým odpadkovým košom na kolieskach, ktorý je možné nájsť na výrobku, označuje, že tento produkt a obsiahnuté batérie sa nemajú likvidovať s bežným komunálnym odpadom. V záujme ochrany životného prostredia a ľudského zdravia zlikvidujte tento výrobok a batérie ako triedený odpad, ktorý sa recykluje spôsobom šetrným k životnému prostrediu. Podrobnejšie informácie o zberných dvoroch pre triedený odpad získate na obecnom úrade alebo u predajcu, u ktorého ste príslušný výrobok zakúpili. Použitie chemických značiek Pb, Cd alebo Hg znamená, že tieto kovy sú použité v batériách.

Slovenski

Prečrtan koš za smeti na etiketi, katero lahko najdete na vašem izdelku, pomeni, da niti tega izdelka niti njegovih baterij ne smete odvreči podobno kot vse ostale smeti. Da bi preprečili morebitne škodljive vplive na okolje ali zdravje, ločite izdelek in njegove baterije od vseh ostalih odpadkov in poskrbite, da bodo reciklirani na okolju prijazen način. Natančne informacije o tem, kje se nahajajo primerna odlagališča, pridobite v vašem krajevnem uradu ali pri prodajalcu. Kemijski simboli Pb, Cd in Hg označujejo, katere kovine vsebuje baterija.

Eesti

Teie tootele kleebitud tähis, mis kujutab ratastega prügikonteinerit, millele on rist peale tõmmatud, keelab toote ja sellega kaasasolevate patareide kõrvaldamise majapidamisjäätmetega sarnasel viisil. Keskkonnale või inimeste tervisele tekitava võimaliku kahju vältimiseks eraldage toode ja selle patareid teistest jäätmetest, et tagada nende korduvkasutamise keskkonnasäästlikul viisil. Kui soovite saada rohkem teavet võimalike kogumispunktide kohta, võtke ühendust kohaliku omavalituse ametnikuga või teile toote müünud jaemüüjaga. Keemiliste sümbolite Pb, Cd või Hg kasutamine näitab, kas tootes on vastavaid metalle kasutatud.

Lietuviškai

Užbraukta ratuota šiukšliadėžės etiketė, kurią rasite ant jūsų produkto, reiškia, kad šis produktas ir pridedamos baterijos neturėtų būti išmestas kartu su įprastinėmis buitinėmis šiukšlėmis. Siekiant išvengti galimos žalos aplinkai bei žmonių sveikatai, prašome atskirti šį produktą ir pridedamas baterijas nuo kitų atliekų, ir įsitikinti, kad jis būtų perdirbtas aplinkai nepavojing būdu. Jei reikia išsamesnės informacijos apie atliekų surinkimo ypatumus, prašome kreiptis į savo vietos valdžios įstaigas arba į mažmeninį pardavėją, iš kurio jūs įsigijote šį produktą. Atitinkamų metalų naudojimas baterijose yra pažymėtas cheminiais simboliais Pb, Cd arba Hg ant baterijų.

Latviski

Marķējums ar pārsvītrotu atkritumu tvertni uz ritenīšiem, kas redzams uz izstrādājuma, norāda, ka šo izstrādājumu un tajā iekļautās baterijas nedrīkst likvidēt kopā ar parastajiem sadzīves atkritumiem. Lai novērstu iespējamo kaitējumu videi vai cilvēku veselībai, lūdzu, atdaliet šo izstrādājumu un tā baterijas no citiem atkritumiem, tādējādi nodrošinot tā otrreizējo pārstrādi videi drošā veidā. Papildinformācijai par pieejamajām atkritumu savākšanas iespējām, lūdzu, sazinieties ar vietējo pašvaldību vai mazumtirgotāju, no kura jūs iegādājāties šo izstrādājumu. Ķīmisko simbolu Pb, Cd un Hg izmantošana uz marķējuma nozīmē, ka šie metāli ir izmantoti baterijā.

Ελληνικά

Η διαγραμμένη ετικέτα του τροχοφόρου κάδου απορριμμάτων που θα βρείτε πάνω στο προϊόν σας υποδεικνύει ότι αυτό το προϊόν και οι ενσωματωμένες μπαταρίες δεν πρέπει να απορρίπτεται μέσω του κανονικού δικτύου αποκομιδής οικιακών απορριμμάτων. Για να αποτρέψετε πιθανές επιπτώσεις στο περιβάλλον ή την ατομική υγεία, παρακαλούμε να διαχωρίσετε αυτό το προϊόν και τις μπαταρίες του από άλλα δίκτυα αποκομιδής ώστε να διασφαλίσετε ότι είναι δυνατή η ανακύκλωσή του με έναν περιβαλλοντικά θεμιτό τρόπο. Για περισσότερες πληροφορίες σχετικά με τις διαθέσιμες δυνατότητες συλλογής απορριμμάτων, παρακαλούμε να επικοινωνήσετε με την τοπική κυβερνητική αρχή ή το κατάστημα λιανικής από όπου αγοράσατε αυτό το προϊόν. Η χρήση των χημικών συμβόλων Pb, Cd ή Hg υποδεικνύει εάν χρησιμοποιούνται τα μέταλλα αυτά στην μπαταρία.

Türkçe

Ürününüzün üzerinde bulunan çarpi işaretli tekerlekli kutu etiketi, bu ürünün ve beraberinde gelen pillerin normal ev atık sistemi vasıtasıyla elden çıkarılmaması gerektiğini gösterir. Çevreye ve insan sağlığına zarar vermeyei önlemek için, lütfen bu ürünü ve pillerini çevreye zarar vermeyecek şekilde geri dönüşüme tabi tutulmak üzere diğer atıklardan ayırın. Mevcut toplama tesisleri ile ilgili ayrıntılı bilgi edinmek için, yerel devlet makamlarıyla veya bu ürünü satın aldığınız satıcıyla irtibata geçin. Pb, Cd veya Hg kimyasal sembollerinin kullanılması, bu metallerin pillerin üretiminde kullanılıp kullanılmadığını ifade eder.

Română

Eticheta arătând un coș de gunoi tăiat cu două linii încrucișate, care poate fi găsită pe produs, indică faptul că acesta și bateriile încorporate nu trebuie aruncate la gunoi laolaltă cu gunoiul menajer. Pentru a evita posibila degradare a mediului înconjurător sau a sănătății umane, colectați separat acest produs și bateriile încorporate și nu împuneți cu gunoiul menajer pentru a vă asigura că acestea pot fi reciclate într-un mod ecologic. Pentru mai multe detalii privind punctele disponibile de colectare, contactați autoritățile locale sau comerciantul de la care ați achiziționat acest produs. Utilizarea simbolurilor unor substanțe chimice precum Pb, Cd sau Hg indică faptul că aceste metale sunt utilizate în baterie.

Български

Етикетът, представляващ зачертано кошче за боклук в кръг, който можете да видите върху вашия продукт, означава, че този продукт и батериите към него не трябва да се изхвърлят заедно с обикновените домакински отпадъци. За предпазване от евентуални щети върху околната среда или човешкото здраве, моля, отделете този продукт и батериите му от останалите отпадъци, за да се гарантира, че той ще бъде рециклиран по екологично съобразен начин. За повече информация относно наличните места за събиране на отпадъци, моля, свържете се с местните власти или търговеца, от когото сте закупили този продукт. Химическите символи Pb, Cd и Hg подсочват дали съответните метали са използвани в батерията.

This information only applies to customers in the European Union, according to DIRECTIVE 2006/66/EC OF THE EUROPEAN PARLIAMENT AND OF THE COUNCIL OF 6 September 2006 on batteries and accumulators and waste batteries and accumulators and repealing Directive 91/157/EEC and legislation transposing and implementing it into the various national legal systems.

For other countries, please contact your local government to investigate the possibility of recycling your product.

Sikkerhedsinstruktioner

Advarsler, forholdsregler og bemærkninger

**Advarsler**

skal følges omhyggeligt for at undgå personskader.

**Forholdsregler**

skal følges for at undgå beskadigelse af udstyret.

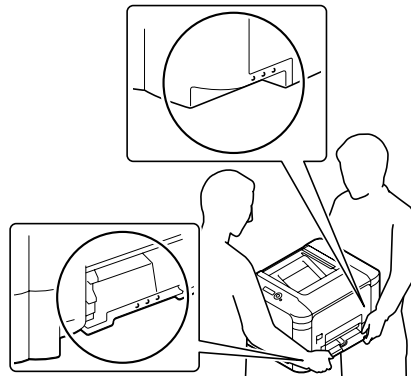
Bemærkninger

indeholder vigtige oplysninger og nyttige tip om betjeningen af printeren.

Vigtige sikkerhedsinstruktioner

Fysisk installation af printeren

- Da printeren vejer ca. 27 kg med installerede forbrugsvarer, bør den ikke løftes eller bæres af én person alene. To personer skal bære printeren ved at løfte den korrekt som vist herunder.



- Kontakt en elektriker, hvis det ikke er muligt at sætte vekselstrømsstikket i stikkontakten.
- Kontroller, at strømledningen opfylder de relevante lokale sikkerhedsstandarder. Brug kun den strømledning, der følger med produktet. Brug af en anden ledning kan forårsage brand eller elektrisk stød. Produktets strømledning er kun beregnet til brug sammen med dette produkt. Anvendelse sammen med andet udstyr kan føre til brand eller elektrisk stød.

- Hvis stikket beskadiges, skal det udskiftes eller repareres af en autoriseret elektriker. Hvis der er sikringer i stikket, skal disse udskiftes med sikringer af korrekt størrelse og mærkekapacitet.
- Brug en jordet stikkontakt, der passer til printerens elstik. Brug ikke en adapter.
- Brug ikke strømudtag, der styres af vægkontakter eller automatiske timere. Utsigtet afbrydelse af strømmen kan betyde, at værdifulde oplysninger i computerens og printerens hukommelse går tabt.
- Kontroller, at der ikke er støv på stikket.
- Sæt stikket helt ind i stikkontakten.
- Rør ikke ved stikket med våde hænder.
- Kobl printeren fra stikkontakten, og overlad enhver service til en servicerepræsentant under følgende omstændigheder:
 - A. Når netledningen eller stikket er beskadiget eller trævlet.
 - B. Hvis der er spildt væske ned i den.
 - C. Hvis den har været udsat for regn eller vand.
 - D. Hvis den ikke fungerer normalt, når betjeningsanvisningerne følges. Juster kun de reguleringsenheder, der er omfattet af betjeningsanvisningerne, da forkert justering af andre reguleringsenheder kan medføre beskadigelse, der ofte kræver omfattende reparationsarbejde af en kvalificeret tekniker for at opnå normal funktion igen.
 - E. Hvis den er blevet tabt, eller kabinettet er beskadiget.
 - F. Hvis den udviser en tydelig ændret ydelse, der indikerer behov for service.
- Undlad at slutte printeren til en stikkontakt, som andre apparater er tilsluttet.
- Tilslut alt udstyr til korrekt jordforbundne kontakter. Undgå at bruge kontakte på samme kredsløb som fotokopimaskiner eller airconditionssystemer, som tændes og slukkes med jævne mellemrum.
- Tilslut printeren til en stikkontakt, der opfylder denne printers strømkrav. Printerens strømkrav fremgår af en etiket, der er anbragt på printeren. Kontakt det lokale elselskab eller forhandleren, hvis du er i tvivl om de lokale strømforsyningspecifikationer.

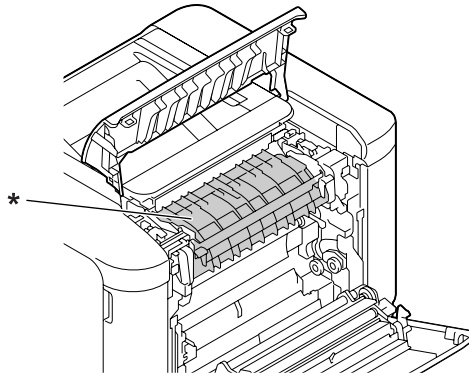
- Hvis du bruger en forlængerledning, skal du sikre, at den samlede nominelle strømstyrke for de produkter, der sluttes til forlængerledningen, ikke overskrider den nominelle strømstyrke for forlængerledningen.
- Når du slutter dette produkt til en computer eller en anden enhed med et kabel, skal du sikre, at stikkene vender rigtigt. Hvert stik skal vende på en bestemt måde. Hvis et stik vender forkert, når du sætter det i, kan det beskadige begge de enheder, der er tilsluttet via kablet.
- Når du bruger en papirkasetteenhed (ekstraudstyr), skal du sørge for at installere positioneringsstifterne korrekt. For vejledning angående installation af positioneringsstifterne skal du se User's Guide.

Placering af printeren

- Placer printeren i nærheden af en stikkontakt, hvor du nemt kan tilslutte og frakoble netledningen.
- Placer ikke printeren, så der kan trædes på ledningen.
- Brug ikke printeren i fugtige omgivelser.
- Undgå placeringer, der er udsat for direkte sollys, stærk varme, fugt, oliedamp eller støv.
- Placer ikke printeren på en ujævn overflade.
- Huller og åbninger i kabinettet og bagsiden eller bunden er til ventilation. De må ikke blokeres eller dækkes. Placer ikke printeren på en seng, sofa, et tæppe eller en lignende overflade eller i en indbygget installation, medmindre der er tilstrækkelig ventilation.
- Hold hele computeren og printersystemet væk fra potentielle støjkilder, f.eks. højttalere eller standere til trådløse telefoner.
- Sørg for, at der er nok plads omkring printeren til, at ventilationen kan fungere korrekt.

Bruge printeren

- ❑ Pas på ikke at berøre fuseren, som er mærket **CAUTION**, eller de omkringliggende områder. Hvis printeren har været i brug, kan fikseringsenheden og de omgivende områder være meget varme. Hvis det er nødvendigt at berøre et af disse områder, skal du vente 40 minutter for at lade dem afkøle, før du berører dem.



* CAUTION

- ❑ Før ikke hånden langt ind i fikseringsenheden, da nogle af de indvendige dele er skarpe og kan forårsage personskade.
- ❑ Skub aldrig objekter af nogen art gennem hullerne i kabinettet, da sådanne objekter kan berøre farlige strømførende punkter eller kortslutte dele, hvilket kan medføre risiko for brand eller elektrisk stød.
- ❑ Sid ikke på, og læn dig ikke til printeren. Placer ikke tunge genstande på printeren.
- ❑ Brug ikke nogen form for brændbare gasser i eller omkring printeren.
- ❑ Tving aldrig printerens komponenter på plads. Selvom printeren er fremstillet til at være robust, kan den blive beskadiget ved hårdhændet håndtering.
- ❑ Lad ikke fastsiddende papir blive siddende inde i printeren. Dette kan medføre overophedning af printeren.
- ❑ Spild aldrig væske af nogen art på printeren.
- ❑ Juster kun de reguleringsenheder, der er nævnt i betjeningsanvisningerne. Forkert justering af andre reguleringsenheder kan forårsage beskadigelse, der nødvendiggør reparation af printeren hos en kvalificeret servicerepræsentant.

- Sluk ikke printeren:
 - Når printeren er tændt, vent da til der vises Klar i LCD-panelet.
 - Ved udskrivning eller under andre betjeninger som f.eks. skrivning af data til eksterne enheder.
- Undlad at røre ved komponenterne inde i printeren, medmindre det angives i denne vejledning, at du skal gøre det.
- Følg alle advarsler og anvisninger, der er angivet på printeren.
- Forsøg aldrig at udføre service, der ikke er udtrykkeligt angivet i dokumentationen, på dette produkt.
- Tag med jævne mellemrum stikket ud af kontakten og rengør benene.
- Tag ikke stikket ud, mens printeren er tændt.
- Tag stikket ud af stikkontakten, hvis printeren ikke skal bruges i længere tid.
- Tag printerens stik ud af stikkontakten før rengøring.
- Brug en godt opvredet klud til rengøring, og brug ikke flydende rensemidler eller sprayrensemidler.
- Ved flytning af printeren skal den altid holdes vandret.
- Fjern ikke fastsiddende papir med magt. Iturevet papir kan være vanskeligt at fjerne og kan forårsage andre papirstop. Træk forsigtigt og roligt i papiret, så det ikke rives i stykker, falder ned eller forårsager tilskadekomst.
- Træk ikke i netledningen, når du tager stikket ud. Sørg altid for at holde i stikket, når du tager det ud.
- Lad ikke papiret kanter glide hen over huden, du kan skære dig på kanten af papiret.
- Sluk printeren og tag netledningen ud fra stikkontakten, når printeren flyttes. Sørg for at tage alle kabler ud.

Håndtering af forbrugsvarer

- Afbrænd ikke brugte forbrugsvarer, de kan eksplodere og forårsage tilskadekomst. Bortskaf dem i overensstemmelse med de lokale forskrifter.
- Opbevar alle forbrugskomponenter uden for børns rækkevidde.
- Ved håndtering af en billedkassette skal den altid placeres på en ren, plan overflade.

- ❑ Forsøg ikke at foretage ændringer ved en billedkassette eller skille den ad.
- ❑ Rør ikke ved toneren. Undgå at få toner i øjnene. Hvis du får toner på huden eller tøjet, skal du straks vaske området omhyggeligt med sæbe og vand.
- ❑ Hvis der spildes toner, skal du bruge en kost og fejebakke eller en fugtig klud med sæbe og vand til at fjerne den spildte toner. Da de fine partikler kan forårsage brand eller eksplosion, hvis de kommer i kontakt med en gnist, må du ikke bruge en støvsuger.
- ❑ Vent mindst en time, før du bruger en billedkassette, hvis den forinden er flyttet fra kolde til varme omgivelser. Hvis dette undlades, kan der opstå skader på grund af kondensering.
- ❑ Du opnår den bedst mulige udskriftskvalitet ved at undlade at opbevare billedkassetten på steder, hvor den udsættes for direkte sollys, støv, saltholdig luft eller ætsende gasser (f.eks. ammoniak). Undgå steder, hvor der kan opstå ekstreme eller hurtige temperatur- eller fugtighedsændringer.
- ❑ Når du fjerner billedkassetten, må den overhovedet ikke udsættes for sollys, og undgå at udsætte den for rumbelysning i mere end fem minutter. Billedkassetten indeholder en lysfølsom tromle. Hvis tromlen udsættes for lys, kan den tage skade, hvilket medfører mørke eller lyse områder på udskrifterne og reducerer tromlens levetid. Hvis billedkassetten skal opbevares uden for printeren i længere tid, skal den tildækkes med et uigennemskinneligt klæde.
- ❑ Pas på ikke at komme til at ridse tromlens overflade. Når du tager billedkassetten ud af printeren, skal du altid placere den på en ren, plan overflade. Undgå at berøre tromlen, da olie fra din hud kan forårsage permanent beskadigelse af tromlens overflade og forringe udskriftskvaliteten.

Sikkerhedsoplysninger

Lasersikkerhedsetiketter



Advarsel:

Udførelse af andre procedurer eller justeringer end de, der er angivet i printerens dokumentation, kan forårsage eksponering af farlig stråling. Printerens er et klasse 1-laserprodukt som defineret i IEC60825-specifikationerne. Den viste etiket er fastgjort på printerens bagside i lande, hvor dette er påkrævet.



Intern laserstråling

Der sidder en laserdiodeenhed af klasse IIb med usynlig laserstråle inde i printerhovedet. Printerhovedet er IKKE ET SERVICEEMNE, og må ikke åbnes under nogen omstændigheder. Der er fastgjort yderligere en sikkerhedsetiket inden i printerens.



Sikkerhed i forbindelse med ozon

Ozonemission

Laserprintere danner ozongas som et biprodukt af udskrivningsprocessen. Ozon produceres kun, mens printeren udskriver.

Grænseværdi for ozoneksponering

Epson-laserprintere genererer mindre end 3 mg/t ved kontinuerlig udskrivning.

Reducering af risikoen

Du bør undgå følgende situationer for at minimere risikoen for eksponering med ozon:

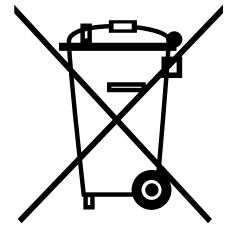
- Brug af flere laserprintere på begrænset plads
- Brug i omgivelser med ekstrem lav fugtighed
- Dårlig udluftning af rum
- Langvarig, kontinuerlig udskrivning sammen med en af ovennævnte

Placering af printer

Printeren bør placeres, så de afgivne gasser og varme:

- Ikke blæses direkte ind i brugerens ansigt
- Sendes direkte ud af bygningen, hvor dette er muligt

Battery Addendum



English

The crossed out wheeled bin label that can be found on your product indicates that this product and incorporated batteries should not be disposed of via the normal household waste stream. To prevent possible harm to the environment or human health please separate this product and its batteries from other waste streams to ensure that it can be recycled in an environmentally sound manner. For more details on available collection facilities please contact your local government office or the retailer where you purchased this product. Use of the chemical symbols Pb, Cd or Hg indicates if these metals are used in the battery.

Deutsch

Der Aufkleber mit durchgekrenzter Mülltonne an diesem Produkt weist darauf hin, dass dieses Produkt und darin enthaltene Batterien nicht im normalen Hausmüll entsorgt werden dürfen. Zur Vermeidung einer möglichen Beeinträchtigung der Umwelt oder der menschlichen Gesundheit und um zu gewährleisten, dass es in einer umweltverträglichen Weise recycelt wird, darf dieses Produkt mitsamt den Batterien nicht in den Hausmüll gegeben werden. Informationen zu Entsorgungseinrichtungen erhalten Sie bei der zuständigen Behörde oder dem Händler, bei dem Sie dieses Produkt erworben haben. Die Angabe der chemischen Zeichen Pb, Cd oder Hg bedeutet, dass diese Metalle in der Batterie verwendet werden.

Français

L'étiquette apposée sur ce produit et représentant une poubelle barrée indique que le produit et les piles intégrées ne peuvent être mis au rebut avec les déchets domestiques normaux. Afin d'éviter d'éventuels dommages au niveau de l'environnement ou sur la santé, veuillez séparer ce produit et ses piles des autres déchets de manière à garantir qu'ils soient recyclés de manière sûre au niveau environnemental. Pour plus de détails sur les sites de collecte existants, veuillez contacter l'administration locale ou le détaillant auprès duquel vous avez acheté ce produit. Les symboles chimiques Pb, Cd et Hg sont utilisés pour désigner les métaux présents dans les piles.

Italiano

L'etichetta con il contenitore barrato applicata sull'imballo indica che il prodotto e le batterie incluse non devono essere smaltiti tramite la procedura normale di smaltimento dei rifiuti domestici. Per evitare eventuali danni all'ambiente e alla salute umana, separare questo prodotto e le relative batterie da altri rifiuti domestici in modo che possano essere riciclati in base alle procedure di rispetto dell'ambiente. Per maggiori dettagli sulle strutture di raccolta disponibili, contattare l'ufficio competente del proprio comune o il rivenditore del prodotto. L'uso dei simboli chimici Pb, Cd o Hg indica la presenza di tali metalli nelle batterie.

Español

La etiqueta de un contenedor tachado que hallará en su producto indica que este producto y sus pilas no se pueden tirar con la basura doméstica normal. Para impedir posibles daños medioambientales o para la salud, separe este producto y sus pilas de otros canales de desecho para garantizar que se recicle de una forma segura para el medio ambiente. Para más información sobre las instalaciones de recolección disponibles, diríjase a las autoridades locales o al punto de venta donde adquirió este producto. Los símbolos químicos Pb, Cd o Hg indican que las pilas contienen ese metal.

Português

A etiqueta com o símbolo de um contentor de lixo traçado com uma cruz que aparece no produto indica que este produto e as pilhas incluídas não devem ser deitados fora juntamente com o lixo doméstico. Para evitar possíveis danos no ambiente ou na saúde pública, por favor separe este produto e respectivas pilhas de outros lixos; desta forma, terá a certeza de que podem ser reciclados através de métodos não prejudiciais ao ambiente. Para obter mais informações sobre os locais de recolha de lixo disponíveis, contacte a sua junta de freguesia, câmara municipal ou local onde comprou este produto. A utilização dos símbolos químicos Pb, Cd ou Hg indica se estes metais são utilizados na pilha.

Nederlands

Op uw product is een label van een rolcontainer met een kruis erdoor aangebracht. Dit label wil zeggen dat dit product en de batterijen in het product niet bij het normale huishoudelijk afval mogen worden ingezameld. Om eventuele schade aan het milieu of de gezondheid van de mens te voorkomen moeten dit product en de batterijen gescheiden van al het ander afval worden ingezameld, zodat alles op een verantwoorde wijze kan worden verwerkt. Voor meer informatie over uw lokale afvalinzameling wendt u zich tot uw gemeente of de leverancier bij wie u dit product hebt gekocht. Gebruik van de chemische symbolen Pb, Cd of Hg geeft aan of deze metalen worden gebruikt in de batterij.

Dansk

Etiketten med et kryds over skraldespanden på hjul, der sidder på produktet, angiver, at dette produkt og dets batterier ikke må bortskaffes sammen med almindeligt husholdningsaffald. For at beskytte miljø og helbred skal dette produkt og dets batterier bortskaffes separat, så disse dele kan genbruges på en måde, der er god for miljøet. Kontakt de lokale myndigheder eller den forhandler, hos hvem du har købt produktet, vedrørende steder, hvor du kan aflevere produktet. Brugen af de kemiske symboler Pb, Cd eller Hg angiver, om disse metaller er anvendt i batteriet.

Suomi

Laitte on merkitty jäteastia-symbolilla, jonka yli on vedetty rasti. Tämä tarkoittaa, ettei laitetta tai siihen kuuluvia paristoja saa hävittää normaalin talousjätteen mukana. Älä hävitä laitetta tai sen paristoja normaalin jätteen seassa vaan varmista, että laite kierrätetään ympäristöystävällisellä tavalla, jottei ympäristölle tai ihmisille aiheudu vahinkoa. Lisätietoja kierrätyksestä ja keräyspisteistä saa ottamalla yhteyttä paikallisiin viranomaisiin tai jälleenmyyjään, jolta laite ostettiin. Kemiallisten merkien Pb (lyijy), Cd (kadmium) tai Hg (elohopea) käyttö ilmaisee, että paristo sisältää kyseistä metallia.

Svenska

Symbolen med en överkorsad soptunna innebär att denna produkt och tillhörande batterier inte får kastas i vanligt hushållsavfall. För att skydda miljön ska denna produkt och dess batterier inte kastas tillsammans med vanligt hushållsavfall utan lämnas för återvinning på tillbörligt sätt. För mer information om uppsamlingsplatser kontakta din lokala myndighet eller den återförsäljare där du har köpt produkten. De kemiska symbolerna Pb, Cd eller Hg visar om dessa metaller används i batteriet.

Norsk

Etiketten på hjulbeholderen på produktet ditt antyder at produktet og batteriene som hører med, ikke skal avhendes sammen med vanlig husholdningsavfall. Hold produktet og batteriene atskilt fra annet avfall, slik at det kan resirkuleres på en miljømessig og forsvarlig måte og dermed forhindre eventuell skade på miljø eller helse. Kontakt lokale myndigheter, eller din forhandler, for mer informasjon angående avhenting av produktet. De kjemiske symbolene Pb, Cd og Hg antyder om disse metallene har blitt brukt i batteriet.

Česky

Štítek s přeškrtnutým odpadkovým košem na kolečkách, který lze nalézt na výrobku, označuje, že se tento výrobek a přiložené baterie nemají likvidovat s běžným domovním odpadem. V zájmu ochrany životního prostředí a lidského zdraví zlikvidujte tento výrobek a jeho baterie jako tříděný odpad, který se recykluje způsobem šetrným k životnímu prostředí. Podrobnější informace o sběrných dvorech pro tříděný odpad získáte na obecním úřadě nebo u prodejce, u kterého jste tento výrobek zakoupili. Použité chemické značky Pb, Cd nebo Hg označují, zda baterie obsahuje tyto kovy.

Magyar

A terméken található, áthúzott szemetest ábrázoló címke azt jelzi, hogy ezt a terméket és a hozzá tartozó elemeket nem szabad a rendes háztartási szeméttel együtt kidobni. Az esetleges környezeti- vagy egészségkárosodást megelőzendő, kérjük, hogy ezt a terméket és az elemeket a többi szeméttől elkülönítve helyezze el, és biztosítsa, hogy azt környezetbarát módon újrahasznosítsák. A rendelkezésére álló begyűjtő létesítményekről kérjük tájékozódjon a megfelelő helyi állami szerveknél vagy a viszonteladónál, ahol a terméket vásárolta. A Pb, Cd vagy Hg vegyjelek jelzik, ha ilyen fémeket is felhasználtak az elem gyártása során.

Polski

Symbol przekreślonego kosza znajdujący się na produkcie oznacza, że nie można produktu oraz wewnętrzznego akumulatora utylizować razem z normalnymi odpadami z gospodarstwa domowego. Aby zapobiec potencjalnemu zagrożeniu dla środowiska lub zdrowia ludzkiego, produkt oraz wewnętrzny akumulator należy odseparować od reszty odpadów z gospodarstwa domowego i utylizować w ekologicznie właściwy sposób. Szczegółowe informacje na temat punktów zbiórki odpadów można uzyskać w lokalnych urzędach lub u sprzedawcy danego produktu. Symbole chemiczne Pb, Cd lub Hg oznaczają, że metale te zostały zastosowane w akumulatorze.

Slovensky

Štítok s preškrtnutým odpadkovým košom na kolieskach, ktorý je možné nájsť na výrobku, označuje, že tento produkt a obsiahnuté batérie sa nemajú likvidovať s bežným komunálnym odpadom. V záujme ochrany životného prostredia a ľudského zdravia zlikvidujte tento výrobok a batérie ako triedený odpad, ktorý sa recykluje spôsobom šetrným k životnému prostrediu. Podrobnejšie informácie o zberných dvoroch pre triedený odpad získate na obecnom úrade alebo u predajcu, u ktorého ste príslušný výrobok zakúpili. Použitie chemických značiek Pb, Cd alebo Hg znamená, že tieto kovy sú použité v batériách.

Slovenski

Prečrtan koš za smeti na etiketi, katero lahko najdete na vašem izdelku, pomeni, da niti tega izdelka niti njegovih baterij ne smete odvreči podobno kot vse ostale smeti. Da bi preprečili morebitne škodljive vplive na okolje ali zdravje, ločite izdelek in njegove baterije od vseh ostalih odpadkov in poskrbite, da bodo reciklirani na okolju prijazen način. Natančne informacije o tem, kje se nahajajo primerna odlagališča, pridobite v vašem krajevnem uradu ali pri prodajalcu. Kemijski simboli Pb, Cd in Hg označujejo, katere kovine vsebuje baterija.

Eesti

Teie tootele kleebitud tähis, mis kujutab ratastega prügikonteinerit, millele on rist peale tõmmatud, keelab toote ja sellega kaasasolevate patareide kõrvaldamise majapidamisjäätmetega sarnasel viisil. Keskkonnale või inimeste tervisele tekitava võimaliku kahju vältimiseks eraldage toode ja selle patareid teistest jäätmetest, et tagada nende korduvkasutamise keskkonnasäästlikul viisil. Kui soovite saada rohkem teavet võimalike kogumispunktide kohta, võtke ühendust kohaliku omavalituse ametnikuga või teile toote müünud jaemüüjaga. Keemiliste sümbolite Pb, Cd või Hg kasutamise näitab, kas tootes on vastavaid metalle kasutatud.

Lietuviškai

Užbraukta ratuota šiukšliadėžės etiketė, kurią rasite ant jūsų produkto, reiškia, kad šis produktas ir pridedamos baterijos neturėtų būti išmestas kartu su įprastinėmis buitinėmis šiukšlėmis. Siekiant išvengti galimos žalos aplinkai bei žmonių sveikatai, prašome atskirti šį produktą ir pridedamas baterijas nuo kitų atliekų, ir įsitikinti, kad jis būtų perdirbtas aplinkai nepavojingū būdu. Jei reikia išsamesnės informacijos apie atliekų surinkimo ypatumus, prašome kreiptis į savo vietos valdžios įstaigas arba į mažmeninį pardavėją, iš kurio jūs įsigijote šį produktą. Atitinkamų metalų naudojimas baterijose yra pažymėtas cheminiais simboliais Pb, Cd arba Hg ant baterijų.

Latviski

Marķējums ar pārsvītrotu atkritumu tvertni uz ritenīšiem, kas redzams uz izstrādājuma, norāda, ka šo izstrādājumu un tajā iekļautās baterijas nedrīkst likvidēt kopā ar parastajiem sadzīves atkritumiem. Lai novērstu iespējamo kaitējumu videi vai cilvēku veselībai, lūdzu, atdaliet šo izstrādājumu un tā baterijas no citiem atkritumiem, tādējādi nodrošinot tā otrreizējo pārstrādi videi drošā veidā. Papildinformācijai par pieejamajām atkritumu savākšanas iespējām, lūdzu, sazinieties ar vietējo pašvaldību vai mazumtirgotāju, no kura jūs iegādājāties šo izstrādājumu. Ķīmisko simbolu Pb, Cd un Hg izmantošana uz marķējuma nozīmē, ka šie metāli ir izmantoti baterijā.

Ελληνικά

Η διαγραμμένη ετικέτα του τροχοφόρου κάδου απορριμμάτων που θα βρείτε πάνω στο προϊόν σας υποδεικνύει ότι αυτό το προϊόν και οι ενσωματωμένες μπαταρίες δεν πρέπει να απορρίπτεται μέσω του κανονικού δικτύου αποκομιδής οικιακών απορριμμάτων. Για να αποτρέψετε πιθανές επιπτώσεις στο περιβάλλον ή την ατομική υγεία, παρακαλούμε να διαχωρίσετε αυτό το προϊόν και τις μπαταρίες του από άλλα δίκτυα αποκομιδής ώστε να διασφαλίσετε ότι είναι δυνατή η ανακύκλωσή του με έναν περιβαλλοντικά θεμιτό τρόπο. Για περισσότερες πληροφορίες σχετικά με τις διαθέσιμες δυνατότητες συλλογής απορριμμάτων, παρακαλούμε να επικοινωνήσετε με την τοπική κυβερνητική αρχή ή το κατάστημα λιανικής από όπου αγοράσατε αυτό το προϊόν. Η χρήση των χημικών συμβόλων Pb, Cd ή Hg υποδεικνύει εάν χρησιμοποιούνται τα μέταλλα αυτά στην μπαταρία.

Türkçe

Ürününüzün üzerinde bulunan çarpi işaretli tekerlekli kutu etiketi, bu ürünün ve beraberinde gelen pillerin normal ev atık sistemi vasıtasıyla elden çıkarılmaması gerektiğini gösterir. Çevreye ve insan sağlığına zarar vermeyei önlemek için, lütfen bu ürünü ve pillerini çevreye zarar vermeyecek şekilde geri dönüşüme tabi tutulmak üzere diğer atıklardan ayırın. Mevcut toplama tesisleri ile ilgili ayrıntılı bilgi edinmek için, yerel devlet makamlarıyla veya bu ürünü satın aldığınız satıcıyla irtibata geçin. Pb, Cd veya Hg kimyasal sembollerinin kullanılması, bu metallerin pillerin üretiminde kullanılıp kullanılmadığını ifade eder.

Română

Eticheta arătând un coș de gunoi tăiat cu două linii încrucișate, care poate fi găsită pe produs, indică faptul că acesta și bateriile încorporate nu trebuie aruncate la gunoi laolaltă cu gunoiul menajer. Pentru a evita posibila degradare a mediului înconjurător sau a sănătății umane, colectați separat acest produs și bateriile încorporate și nu împuneți cu gunoiul menajer pentru a vă asigura că acestea pot fi reciclate într-un mod ecologic. Pentru mai multe detalii privind punctele disponibile de colectare, contactați autoritățile locale sau comerciantul de la care ați achiziționat acest produs. Utilizarea simbolurilor unor substanțe chimice precum Pb, Cd sau Hg indică faptul că aceste metale sunt utilizate în baterie.

Български

Етикетът, представляващ зачертано кошче за боклук в кръг, който можете да видите върху вашия продукт, означава, че този продукт и батериите към него не трябва да се изхвърлят заедно с обикновените домакински отпадъци. За предпазване от евентуални щети върху околната среда или човешкото здраве, моля, отделете този продукт и батериите му от останалите отпадъци, за да се гарантира, че той ще бъде рециклиран по екологично съобразен начин. За повече информация относно наличните места за събиране на отпадъци, моля, свържете се с местните власти или търговеца, от когото сте закупили този продукт. Химическите символи Pb, Cd и Hg посочват дали съответните метали са използвани в батерията.

This information only applies to customers in the European Union, according to DIRECTIVE 2006/66/EC OF THE EUROPEAN PARLIAMENT AND OF THE COUNCIL OF 6 September 2006 on batteries and accumulators and waste batteries and accumulators and repealing Directive 91/157/EEC and legislation transposing and implementing it into the various national legal systems.

For other countries, please contact your local government to investigate the possibility of recycling your product.

Turvallisuusohjeet

Varoitukset, muistutukset ja huomautukset



Varoitukset

varoittavat henkilövahinkojen vaarasta.



Muistutukset

laitteiston vahingoittumisen välttämiseksi.

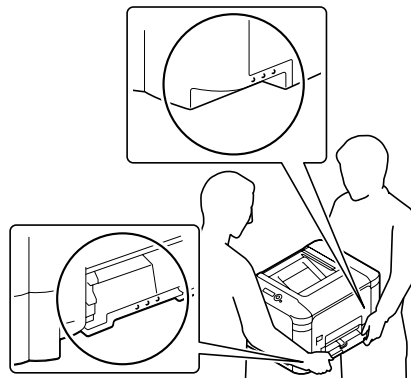
Huomautukset

sisältävät tulostimen toimintaa koskevia vihjeitä ja tärkeitä tietoja.

Tärkeitä turvallisuusohjeita

Tulostimen asennus

- ❑ Tulostin painaa tarvikkeiden kanssa noin 27 kg, joten sitä ei tule yrittää nostaa yksin. Tulostimen kantamiseen tarvitaan kaksi henkilöä. Tulostin tulee nostaa oikeista paikoista alla olevan kuvan mukaisesti.



- ❑ Jos vaihtovirtapistoke ei mene asianmukaisesti paikoilleen, ota yhteys sähköasentajaan.

- Varmista, että virtajohto on asianmukaisten paikallisten turvallisuusmääräysten mukainen. Käytä vain laitteen mukana tulevaa virtajohtoa. Toisten virtajohtojen käyttäminen saattaa johtaa tulipaloon tai sähköiskuun. Tämän laitteen virtajohtoa tulee käyttää vain tälle laitteelle. Sen käyttäminen muussa laitteessa saattaa aiheuttaa tulipalon tai sähköiskun.
- Jos pistoke vahingoittuu, vaihda virtajohto tai ota yhteyttä valtuutettuun sähköasentajaan. Jos pistokkeessa on sulakkeita, varmista, että vaihdat sulakkeet kooltaan ja virtamäärältään sopiviin sulakkeisiin.
- Käytä maadoitettua, tulostimen pistokkeen mukaista pistorasiaa. Älä käytä sovitinpistokkeita.
- Vältä käyttämästä pistorasioita, jotka on varustettu seinäkatkaisimella tai automaattiajastimella. Virran tahaton katkeaminen voi tyhjentää tärkeitä tiedot tietokoneen ja tulostimen muistista.
- Varmista, ettei pistukassa ole pölyä.
- Työnnä pistoke kokonaan pistorasiaan.
- Älä koske pistokkeeseen märin käsin.
- Irrota tulostin pistorasiasta ja vie ammattitaitoiseen huoltoon seuraavissa tilanteissa:
 - A. Virtajohto tai -pistoke on vahingoittunut tai kulunut.
 - B. Tulostimeen on valunut nestettä.
 - C. Tulostin on joutunut alttiiksi sateelle tai vedelle.
 - D. Tulostin ei toimi normaalisti, vaikka sitä käytetään ohjeiden mukaan. Säädä vain niitä asetuksia, joita on käsitelty käyttöohjeissa. Muiden asetusten virheellinen säätö voi vahingoittaa tulostinta ja tuotteen saaminen takaisin käyttökuntoon voi kestää asiantuntevalta teknikolta pitkään.
 - E. Tulostin on pudotettu, tai sen kotelo on vahingoittunut.
 - F. Tulostin alkaa toimia poikkeavalla tavalla tai ilmenee muuta huollon tarvetta.
- Vältä muiden laitteiden liittämistä samaan pistorasiaan.
- Kytke kaikki laitteet kunnolla maadoitettuihin pistorasioihin. Vältä käyttämästä pistorasioita samassa piirissä kuin kopiokoneet tai ilmastointilaitteet, jotka kytkeytyvät päälle ja sammuvat säännöllisesti.

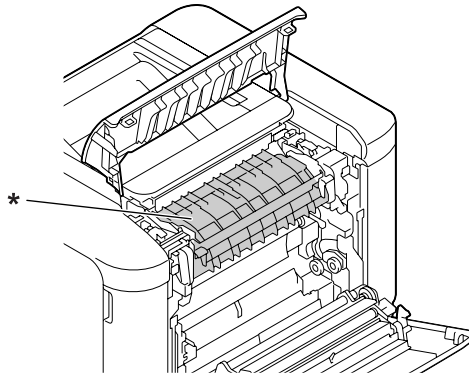
- Liitä tulostin virtalähteeseen, joka vastaa tulostimen vaatimuksia. Tulostimen virtavaatimukset on ilmoitettu tulostimen merkintätarrassa. Ota epäselvissä tapauksissa yhteyttä alueesi energialaitokseen tai laitteen jälleenmyyjään.
- Jos käytät jatkojohtoa, varmista, ettei siihen kytkettyjen laitteiden yhteen laskettu ampeeriarvo ylitä johdolle määritettyä ampeeriarvoa.
- Kun liität laitteen tietokoneeseen tai muuhun laitteeseen kaapelilla, varmista liitinten suunta. Kukin liitin voidaan liittää ainoastaan yhdellä tavalla. Liittimen kytkeminen väärin voi vahingoittaa molempia kaapelilla liitettäviä laitteita.
- Kun käytät valinnaista paperikasettiyksikköä, varmista, että kohdistustapit asennetaan oikein. Kohdistustappien asennusohjeet, katso User's Guide.

Tulostimen sijoituspaikan valitseminen

- Aseta tulostin niin, että sen virtajohdon voi kytkeä ja irrottaa helposti.
- Aseta tulostimen johdot niin, ettei niiden päälle astuta.
- Älä käytä tulostinta kosteassa ympäristössä.
- Älä sijoita laitetta paikkaan, jossa se altistuu suoralle auringonvalolle, liialliselle kuumuudelle, kosteudelle, öljyhöyryille tai pölylle.
- Älä aseta tulostinta epätasaiselle pinnalle.
- Kotelon takaosassa tai pohjassa olevat aukot on tarkoitettu tuuletusta varten. Älä peitä niitä. Älä aseta tulostinta sängylle, sohvalle, maton päälle tai muulle vastaavalle huokoiselle pinnalle tai asennuskoteloon, jossa ei ole riittävästi ilmanvaihtoa.
- Pidä koko tietokone- ja tulostinjärjestelmä riittävän etäällä mahdollisista häiriölähteistä kuten kaiuttimista ja langattomien puhelinten pöytäyksiköistä.
- Jätä tulostimen ympärille tarpeeksi tilaa riittävästi tuuletusta varten.

Tulostimen käyttö

- ❑ Älä kosketa kiinnitinyksikköä, jossa on merkintä **CAUTION**, äläkä sitä ympäröivää aluetta. Kiinnitinyksikkö ja sitä ympäröivät alueet saattavat olla erittäin kuumia, jos tulostinta on käytetty äskettäin. Jos kiinnitinyksikköä tai sen ympäristöä on kosketettava, odota ensin 40 minuuttia, jotta alue viilenee.



* CAUTION

- ❑ Älä laita kättä kiinnitysyksikön sisään, sillä se sisältää teräviä osia ja voi aiheuttaa vahinkoja.
- ❑ Älä työnnä mitään esineitä tulostinkotelon aukkoihin, koska se saattaa aiheuttaa oikosulkuja, tulipalon vaaran ja altistaa sähköiskuille.
- ❑ Älä istu tulostimen päälle tai nojaa siihen. Älä aseta tulostimen päälle painavia esineitä.
- ❑ Älä käytä mitään palavia kaasuja tulostimessa tai sen läheisyydessä.
- ❑ Älä aseta tulostimen osia paikalleen väkisin. Tulostin on suunniteltu kestäväksi, mutta liiallinen voiman käyttö saattaa vahingoittaa sitä.
- ❑ Älä jätä juuttunutta paperia tulostimeen. Paperin jättäminen paikalleen saattaa aiheuttaa tulostimen ylikuumentumisen.
- ❑ Vältä nesteiden joutumista tulostimeen.
- ❑ Muuta vain niitä asetuksia, jotka on kuvattu käyttöohjeissa. Muiden asetusten muuttaminen saattaa aiheuttaa vaurioita, jotka voi korjata vain valtuutettu huoltohenkilö.
- ❑ Älä sammuta tulostinta:
 - Kun tulostin on kytketty päälle, odota, kunnes LCD-paneelissa on Ready (Valmis).
 - Tulostamisen aikana tai suoritettaessa muita toimenpiteitä, kuten kirjoitettaessa tietoa ulkoisiin laitteisiin.

- Älä kosketa tulostimen sisällä olevia osia, ellei tässä oppaassa ei toisin neuvota.
- Noudata kaikkia tulostimen varoitus- ja ohjemerkinäköjä.
- Älä yritä huoltaa tulostinta itse muilta osin kuin mitä tulostimen ohjeistuksessa nimenomaisesti on mainittu.
- Irrota pistoke säännöllisesti pistorasiasta ja puhdista nastat.
- Älä irrota pistoketta tulostimen ollessa päällä.
- Jollei tulostinta käytetä pitkään aikaan, irrota pistoke pistorasiasta.
- Irrota tulostin pistorasiasta puhdistuksen ajaksi.
- Puhdista tulostin hyvin puristetulla kostealla liinalla. Älä käytä nestemäisiä puhdistusaineita tai suihkeita.
- Kun siirrät tulostinta, pidä se aina vaakatasossa.
- Älä käytä paperitukoksen poistamisessa voimaa. Repeytynyt paperi saattaa olla vaikea poistaa ja se voi aiheuttaa lisää paperitukoksia. Paperia pitää vetää varovasti ja tasaisesti, jottei paperi repeydy eikä käyttäjä kaadu tai vahingoita itseään.
- Älä vedä virtajohdosta, kun irrotat pistoketta. Pidä aina kiinni pistokkeesta, kun irrotat johdon pistorasiasta.
- Varo paperin reunoja, koska ne saattavat viiltää haavan ihoon.
- Kun siirrät tulostinta, sammuta se ja irrota virtajohto pistorasiasta. Muista irrottaa kaikki kaapelit.

Tarvikkeiden käsittely

- Älä polta käytettyjä tarvikkeita, koska ne saattavat räjähtää ja vahingoittaa jotakuta. Hävitä ne paikallisten säädösten mukaisesti.
- Säilytä kulutustarvikkeet poissa lasten ulottuvilta.
- Aseta värikasetit aina puhtaalle tasaiselle tasolle, kun käsittelet niitä.
- Älä yritä tehdä muutoksia värikasettiin tai purkaa sitä.
- Älä kosketa väriainetta. Estä aina väriaineen pääsy silmiin. Jos väriainetta pääsee iholle tai vaatteille, pese kohta välittömästi saippualla ja vedellä.

- ❑ Jos väriainetta läikkyä, siivoa se harjaa ja rikkalapiota tai saippuavedellä kostutettua liinaa käyttäen. Älä käytä imuria, koska hienojakoiset hiukkaset voivat aiheuttaa tulipalon tai räjähdyksen joutuessaan tekemisiin kipinöiden kanssa.
- ❑ Estä kosteuden tiivistymisestä aiheutuvat vahingot odottamalla vähintään tunti, ennen kuin otat värikasetin käyttöön, jos olet siirtänyt sen viileästä ympäristöstä lämpimään.
- ❑ Paras tulostuslaatu saavutetaan suojaamalla värikasetti suoralta auringonvalolta, pölyltä, suolapitoiselta ilmalta tai syövyttäviltä kaasuilta (kuten ammoniakki). Vältä paikkoja, joissa lämpötila ja kosteus vaihtelevat rajusti tai nopeasti.
- ❑ Kun poistat värikasetin, älä altista sitä lainkaan auringonvalolle ja vältä altistamista sitä huoneen valolle kauemmaksi kuin viideksi minuutiksi. Värikasetin rumpu on valoherkkä. Valolla altistuminen saattaa vahingoittaa rumpua, aiheuttaa tummia tai vaaleita alueita tulostetulle sivulle ja vähentää rumpun käyttöikää. Jos on tarpeen pitää värikasettia poissa tulostimesta pitkää aikoja, peitä se läpinäkymättömällä kankaalla.
- ❑ Älä raaputa rumpun pintaa. Kun poistat värikasetin tulostimesta, aseta se aina puhtaalle tasaiselle pinnalle. Vältä rumpun koskettamista, koska ihosta peräisin oleva öljy voi vahingoittaa sen pintaa pysyvästi ja vaikuttaa tulostuslaatuun.

Turvallisuustietoja

Laserturvallisuusmerkinnät



Varoitus:

Tulostimen käsittely ja säätö oppaassa esitettyjen ohjeiden vastaisesti saattaa altistaa käyttäjän vaaralliselle säteilylle. Tulostin on IEC60825-standardin mukainen luokan 1 lasertuote. Oikealla kuvattu merkintä on tulostimen takaosassa niissä maissa, joissa kyseinen merkintä on pakollinen.



Sisäinen lasersäteily:

Tulostimen kirjoituspäässä on luokan III b laseriodi, jossa käytetään näkymätöntä lasersädettä. Tulostimen kirjoituspää EI OLE HUOLLETTAVISSA, joten sitä ei tule avata missään tapauksessa. Tulostimen sisällä on toinen laserin varoitusmerkinä.



Otsoniturvallisuus

Otsonipäästöt

Lasertulostimet tuottavat otsonikaasua tulostettaessa. Otsonia syntyy vain tulostuksen aikana.

Otsonin altistumisraja

Epson-lasertulostin tuottaa alle 3 mg/h otsonia jatkuvassa tulostuksessa.

Otsoniriskin minimointi

Minimoi otsonille altistumisriski välttämällä seuraavia olosuhteita:

- Käytä useita lasertulostimia suljetussa tilassa.
- Käytä tulostinta alhaisessa kosteudessa.
- Käytä tulostinta huonosti ilmastoidussa tilassa.
- Tulosta jatkuvasti edellä mainittujen olosuhteiden lisäksi.

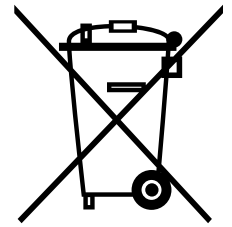
Tulostimen sijoittaminen

Tulostin kannattaa sijoittaa niin, että tulostimen tuottamat kaasut ja lämpö:

- eivät suuntaudu suoraan käyttäjän kasvoihin.

- ❑ johdetaan ulos rakennuksesta, jos mahdollista.

Battery Addendum



English

The crossed out wheeled bin label that can be found on your product indicates that this product and incorporated batteries should not be disposed of via the normal household waste stream. To prevent possible harm to the environment or human health please separate this product and its batteries from other waste streams to ensure that it can be recycled in an environmentally sound manner. For more details on available collection facilities please contact your local government office or the retailer where you purchased this product. Use of the chemical symbols Pb, Cd or Hg indicates if these metals are used in the battery.

Deutsch

Der Aufkleber mit durchgekreuzter Mülltonne an diesem Produkt weist darauf hin, dass dieses Produkt und darin enthaltene Batterien nicht im normalen Hausmüll entsorgt werden dürfen. Zur Vermeidung einer möglichen Beeinträchtigung der Umwelt oder der menschlichen Gesundheit und um zu gewährleisten, dass es in einer umweltverträglichen Weise recycelt wird, darf dieses Produkt mitsamt den Batterien nicht in den Hausmüll gegeben werden. Informationen zu Entsorgungseinrichtungen erhalten Sie bei der zuständigen Behörde oder dem Händler, bei dem Sie dieses Produkt erworben haben. Die Angabe der chemischen Zeichen Pb, Cd oder Hg bedeutet, dass diese Metalle in der Batterie verwendet werden.

Français

L'étiquette apposée sur ce produit et représentant une poubelle barrée indique que le produit et les piles intégrées ne peuvent être mis au rebut avec les déchets domestiques normaux. Afin d'éviter d'éventuels dommages au niveau de l'environnement ou sur la santé, veuillez séparer ce produit et ses piles des autres déchets de manière à garantir qu'ils soient recyclés de manière sûre au niveau environnemental. Pour plus de détails sur les sites de collecte existants, veuillez contacter l'administration locale ou le détaillant auprès duquel vous avez acheté ce produit. Les symboles chimiques Pb, Cd et Hg sont utilisés pour désigner les métaux présents dans les piles.

Italiano

L'etichetta con il contenitore barrato applicata sull'imballo indica che il prodotto e le batterie incluse non devono essere smaltiti tramite la procedura normale di smaltimento dei rifiuti domestici. Per evitare eventuali danni all'ambiente e alla salute umana, separare questo prodotto e le relative batterie da altri rifiuti domestici in modo che possano essere riciclati in base alle procedure di rispetto dell'ambiente. Per maggiori dettagli sulle strutture di raccolta disponibili, contattare l'ufficio competente del proprio comune o il rivenditore del prodotto. L'uso dei simboli chimici Pb, Cd o Hg indica la presenza di tali metalli nelle batterie.

Español

La etiqueta de un contenedor tachado que hallará en su producto indica que este producto y sus pilas no se pueden tirar con la basura doméstica normal. Para impedir posibles daños medioambientales o para la salud, separe este producto y sus pilas de otros canales de desecho para garantizar que se recicle de una forma segura para el medio ambiente. Para más información sobre las instalaciones de recolección disponibles, diríjase a las autoridades locales o al punto de venta donde adquirió este producto. Los símbolos químicos Pb, Cd o Hg indican que las pilas contienen ese metal.

Português

A etiqueta com o símbolo de um contentor de lixo traçado com uma cruz que aparece no produto indica que este produto e as pilhas incluídas não devem ser deitados fora juntamente com o lixo doméstico. Para evitar possíveis danos no ambiente ou na saúde pública, por favor separe este produto e respectivas pilhas de outros lixos; desta forma, terá a certeza de que podem ser reciclados através de métodos não prejudiciais ao ambiente. Para obter mais informações sobre os locais de recolha de lixo disponíveis, contacte a sua junta de freguesia, câmara municipal ou local onde comprou este produto. A utilização dos símbolos químicos Pb, Cd ou Hg indica se estes metais são utilizados na pilha.

Nederlands

Op uw product is een label van een rolcontainer met een kruis erdoor aangebracht. Dit label wil zeggen dat dit product en de batterijen in het product niet bij het normale huishoudelijk afval mogen worden ingezameld. Om eventuele schade aan het milieu of de gezondheid van de mens te voorkomen moeten dit product en de batterijen gescheiden van al het ander afval worden ingezameld, zodat alles op een verantwoorde wijze kan worden verwerkt. Voor meer informatie over uw lokale afvalinzameling wendt u zich tot uw gemeente of de leverancier bij wie u dit product hebt gekocht. Gebruik van de chemische symbolen Pb, Cd of Hg geeft aan of deze metalen worden gebruikt in de batterij.

Dansk

Etiketten med et kryds over skraldespanden på hjul, der sidder på produktet, angiver, at dette produkt og dets batterier ikke må bortskaffes sammen med almindeligt husholdningsaffald. For at beskytte miljø og helbred skal dette produkt og dets batterier bortskaffes separat, så disse dele kan genbruges på en måde, der er god for miljøet. Kontakt de lokale myndigheder eller den forhandler, hos hvem du har købt produktet, vedrørende steder, hvor du kan aflevere produktet. Brugen af de kemiske symboler Pb, Cd eller Hg angiver, om disse metaller er anvendt i batteriet.

Suomi

Laitte on merkitty jäteastia-symbolilla, jonka yli on vedetty rasti. Tämä tarkoittaa, ettei laitetta tai siihen kuuluvia paristoja saa hävittää normaalin talousjätteen mukana. Älä hävitä laitetta tai sen paristoja normaalin jätteen seassa vaan varmista, että laite kierrätetään ympäristöystävällisellä tavalla, jottei ympäristölle tai ihmisille aiheudu vahinkoa. Lisätietoja kierrätyksestä ja keräyspisteistä saa ottamalla yhteyttä paikallisiin viranomaisiin tai jälleenmyyjään, jolta laite ostettiin. Kemiallisten merkien Pb (lyijy), Cd (kadmium) tai Hg (elohopea) käyttö ilmaisee, että paristo sisältää kyseistä metallia.

Svenska

Symbolen med en överkorsad soptunna innebär att denna produkt och tillhörande batterier inte får kastas i vanligt hushållsavfall. För att skydda miljön ska denna produkt och dess batterier inte kastas tillsammans med vanligt hushållsavfall utan lämnas för återvinning på tillbörligt sätt. För mer information om uppsamlingsplatser kontakta din lokala myndighet eller den återförsäljare där du har köpt produkten. De kemiska symbolerna Pb, Cd eller Hg visar om dessa metaller används i batteriet.

Norsk

Etiketten på hjulbeholderen på produktet ditt antyder at produktet og batteriene som hører med, ikke skal avhendes sammen med vanlig husholdningsavfall. Hold produktet og batteriene atskilt fra annet avfall, slik at det kan resirkuleres på en miljømessig og forsvarlig måte og dermed forhindre eventuell skade på miljø eller helse. Kontakt lokale myndigheter, eller din forhandler, for mer informasjon angående avhenting av produktet. De kjemiske symbolene Pb, Cd og Hg antyder om disse metallene har blitt brukt i batteriet.

Česky

Štítek s přeškrtnutým odpadkovým košem na kolečkách, který lze nalézt na výrobku, označuje, že se tento výrobek a přiložené baterie nemají likvidovat s běžným domovním odpadem. V zájmu ochrany životního prostředí a lidského zdraví zlikvidujte tento výrobek a jeho baterie jako tříděný odpad, který se recykluje způsobem šetrným k životnímu prostředí. Podrobnější informace o sběrných dvorech pro tříděný odpad získáte na obecním úřadě nebo u prodejce, u kterého jste tento výrobek zakoupili. Použité chemické značky Pb, Cd nebo Hg označují, zda baterie obsahuje tyto kovy.

Magyar

A termékén található, áthúzott szemetest ábrázoló címke azt jelzi, hogy ezt a terméket és a hozzá tartozó elemeket nem szabad a rendes háztartási szeméttel együtt kidobni. Az esetleges környezeti- vagy egészségkárosodást megelőzendő, kérjük, hogy ezt a terméket és az elemeket a többi szeméttől elkülönítve helyezze el, és biztosítsa, hogy azt környezetbarát módon újrahasznosítsák. A rendelkezésére álló begyűjtő létesítményekről kérjük tájékozódjon a megfelelő helyi állami szerveknél vagy a viszonteladónál, ahol a terméket vásárolta. A Pb, Cd vagy Hg vegyjelek jelzik, ha ilyen fémeket is felhasználtak az elem gyártása során.

Polski

Symbol przekreślonego kosza znajdujący się na produkcie oznacza, że nie można produktu oraz wewnętrzznego akumulatora utylizować razem z normalnymi odpadami z gospodarstwa domowego. Aby zapobiec potencjalnemu zagrożeniu dla środowiska lub zdrowia ludzkiego, produkt oraz wewnętrzny akumulator należy odseparować od reszty odpadów z gospodarstwa domowego i utylizować w ekologicznie właściwy sposób. Szczegółowe informacje na temat punktów zbiórki odpadów można uzyskać w lokalnych urzędach lub u sprzedawcy danego produktu. Symbole chemiczne Pb, Cd lub Hg oznaczają, że metale te zostały zastosowane w akumulatorze.

Slovensky

Štítok s preškrtnutým odpadkovým košom na kolieskach, ktorý je možné nájsť na výrobku, označuje, že tento produkt a obsiahnuté batérie sa nemajú likvidovať s bežným komunálnym odpadom. V záujme ochrany životného prostredia a ľudského zdravia zlikvidujte tento výrobok a batérie ako triedený odpad, ktorý sa recykluje spôsobom šetrným k životnému prostrediu. Podrobnejšie informácie o zberných dvoroch pre triedený odpad získate na obecnom úrade alebo u predajcu, u ktorého ste príslušný výrobok zakúpili. Použitie chemických značiek Pb, Cd alebo Hg znamená, že tieto kovy sú použité v batériách.

Slovenski

Prečrtan koš za smeti na etiketi, katero lahko najdete na vašem izdelku, pomeni, da niti tega izdelka niti njegovih baterij ne smete odvreči podobno kot vse ostale smeti. Da bi preprečili morebitne škodljive vplive na okolje ali zdravje, ločite izdelek in njegove baterije od vseh ostalih odpadkov in poskrbite, da bodo reciklirani na okolju prijazen način. Natančne informacije o tem, kje se nahajajo primerna odlagališča, pridobite v vašem krajevnem uradu ali pri prodajalcu. Kemijski simboli Pb, Cd in Hg označujejo, katere kovine vsebuje baterija.

Eesti

Teie tootele kleebitud tähis, mis kujutab ratastega prügikonteinerit, millele on rist peale tõmmatud, keelab toote ja sellega kaasasolevate patareide kõrvaldamise majapidamisjäätmetega sarnasel viisil. Keskkonnale või inimeste tervisele tekitava võimaliku kahju vältimiseks eraldage toode ja selle patareid teistest jäätmetest, et tagada nende korduvkasutamise keskkonnasäästlikul viisil. Kui soovite saada rohkem teavet võimalike kogumispunktide kohta, võtke ühendust kohaliku omavalituse ametnikuga või teile toote müünud jaemüüjaga. Keemiliste sümbolite Pb, Cd või Hg kasutamise näitab, kas tootes on vastavaid metalle kasutatud.

Lietuviškai

Užbraukta ratuota šiukšliadėžės etiketė, kurią rasite ant jūsų produkto, reiškia, kad šis produktas ir pridedamos baterijos neturėtų būti išmestas kartu su įprastinėmis buitinėmis šiukšlėmis. Siekiant išvengti galimos žalos aplinkai bei žmonių sveikatai, prašome atskirti šį produktą ir pridedamas baterijas nuo kitų atliekų, ir įsitikinti, kad jis būtų perdirbtas aplinkai nepavojing būdu. Jei reikia išsamesnės informacijos apie atliekų surinkimo ypatumus, prašome kreiptis į savo vietos valdžios įstaigas arba į mažmeninį pardavėją, iš kurio jūs įsigijote šį produktą. Atitinkamų metalų naudojimas baterijose yra pažymėtas cheminiais simboliais Pb, Cd arba Hg ant baterijų.

Latviski

Marķējums ar pārsvītrotu atkritumu tvertni uz ritenīšiem, kas redzams uz izstrādājuma, norāda, ka šo izstrādājumu un tajā iekļautās baterijas nedrīkst likvidēt kopā ar parastajiem sadzīves atkritumiem. Lai novērstu iespējamo kaitējumu videi vai cilvēku veselībai, lūdzu, atdaliet šo izstrādājumu un tā baterijas no citiem atkritumiem, tādējādi nodrošinot tā otrreizējo pārstrādi videi drošā veidā. Papildinformācijai par pieejamajām atkritumu savākšanas iespējām, lūdzu, sazinieties ar vietējo pašvaldību vai mazumtirgotāju, no kura jūs iegādājāties šo izstrādājumu. Ķīmisko simbolu Pb, Cd un Hg izmantošana uz marķējuma nozīmē, ka šie metāli ir izmantoti baterijā.

Ελληνικά

Η διαγραμμένη ετικέτα του τροχοφόρου κάδου απορριμμάτων που θα βρείτε πάνω στο προϊόν σας υποδεικνύει ότι αυτό το προϊόν και οι ενσωματωμένες μπαταρίες δεν πρέπει να απορρίπτεται μέσω του κανονικού δικτύου αποκομιδής οικιακών απορριμμάτων. Για να αποτρέψετε πιθανές επιπτώσεις στο περιβάλλον ή την ατομική υγεία, παρακαλούμε να διαχωρίσετε αυτό το προϊόν και τις μπαταρίες του από άλλα δίκτυα αποκομιδής ώστε να διασφαλίσετε ότι είναι δυνατή η ανακύκλωσή του με έναν περιβαλλοντικά θεμιτό τρόπο. Για περισσότερες πληροφορίες σχετικά με τις διαθέσιμες δυνατότητες συλλογής απορριμμάτων, παρακαλούμε να επικοινωνήσετε με την τοπική κυβερνητική αρχή ή το κατάστημα λιανικής από όπου αγοράσατε αυτό το προϊόν. Η χρήση των χημικών συμβόλων Pb, Cd ή Hg υποδεικνύει εάν χρησιμοποιούνται τα μέταλλα αυτά στην μπαταρία.

Türkçe

Ürününüzün üzerinde bulunan çarpi işaretli tekerlekli kutu etiketi, bu ürünün ve beraberinde gelen pillerin normal ev atık sistemi vasıtasıyla elden çıkarılmaması gerektiğini gösterir. Çevreye ve insan sağlığına zarar vermeyei önlemek için, lütfen bu ürünü ve pillerini çevreye zarar vermeyecek şekilde geri dönüşüme tabi tutulmak üzere diğer atıklardan ayırın. Mevcut toplama tesisleri ile ilgili ayrıntılı bilgi edinmek için, yerel devlet makamlarıyla veya bu ürünü satın aldığınız satıcıyla irtibata geçin. Pb, Cd veya Hg kimyasal sembollerinin kullanılması, bu metallerin pillerin üretiminde kullanılıp kullanılmadığını ifade eder.

Română

Eticheta arătând un coș de gunoi tăiat cu două linii încrucișate, care poate fi găsită pe produs, indică faptul că acesta și bateriile încorporate nu trebuie aruncate la gunoi laolaltă cu gunoiul menajer. Pentru a evita posibila degradare a mediului înconjurător sau a sănătății umane, colectați separat acest produs și bateriile încorporate și nu împuneți cu gunoiul menajer pentru a vă asigura că acestea pot fi reciclate într-un mod ecologic. Pentru mai multe detalii privind punctele disponibile de colectare, contactați autoritățile locale sau comerciantul de la care ați achiziționat acest produs. Utilizarea simbolurilor unor substanțe chimice precum Pb, Cd sau Hg indică faptul că aceste metale sunt utilizate în baterie.

Български

Етикетът, представляващ зачертано кошче за боклук в кръг, който можете да видите върху вашия продукт, означава, че този продукт и батериите към него не трябва да се изхвърлят заедно с обикновените домакински отпадъци. За предпазване от евентуални щети върху околната среда или човешкото здраве, моля, отделете този продукт и батериите му от останалите отпадъци, за да се гарантира, че той ще бъде рециклиран по екологично съобразен начин. За повече информация относно наличните места за събиране на отпадъци, моля, свържете се с местните власти или търговеца, от когото сте закупили този продукт. Химическите символи Pb, Cd и Hg подсочват дали съответните метали са използвани в батерията.

This information only applies to customers in the European Union, according to DIRECTIVE 2006/66/EC OF THE EUROPEAN PARLIAMENT AND OF THE COUNCIL OF 6 September 2006 on batteries and accumulators and waste batteries and accumulators and repealing Directive 91/157/EEC and legislation transposing and implementing it into the various national legal systems.

For other countries, please contact your local government to investigate the possibility of recycling your product.

Sikkerhetsinstruksjoner

Advarsler, forsiktighetsregler og merknader

**Advarsler**

må følges nøye for å unngå personskade.

**Forsiktighetsregler**

må overholdes for å unngå skade på utstyret.

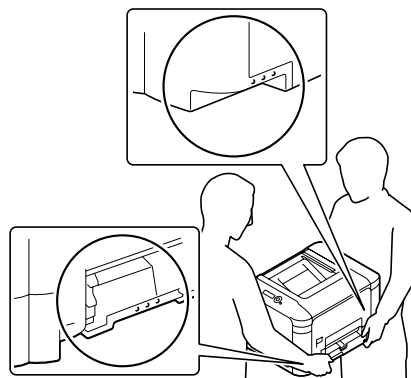
Merknader

inneholder viktig informasjon og nyttige tips om hvordan du bruker skriveren.

Viktige sikkerhetsinstruksjoner

Installere skriveren

- ❑ Skriveren veier omtrent 27 kg med forbruksvarer installert, så den bør derfor ikke løftes eller transporteres av én person alene. To personer bør transportere skriveren ved å løfte den etter håndtakene som vist nedenfor.



- ❑ Hvis du ikke klarer å sette vekselstrømpluggen inn i strømuttaket, må du kontakte en elektriker.

- Kontroller at vekselstrømsledningen oppfylder relevante, lokale sikkerhetskrav. Bruk kun strømledningen som følger med dette produktet. Bruk av annen ledning kan føre til brann eller elektrisk støt. Produktets strømledning må kun brukes sammen med dette produktet. Bruk med annet utstyr kan føre til brann eller elektrisk støt.
- Hvis støpselet blir skadet, må du skifte ledningen eller kontakte en kvalifisert elektriker. Skift alltid ut sikringer med nye sikringer som har riktig størrelse og klassifisering hvis det sitter en sikring i støpslet.
- Bruk et jordet strømuttak som svarer til strømpluggen til skriveren. Adapterpluggen må ikke brukes.
- Unngå å bruke strømuttak som styres med veggbrytere eller tidsinnstillingsenheter. Utsiktede forstyrrelser i strømtilførselen kan føre til at verdifull informasjon i minnet til datamaskinen eller skriveren blir slettet.
- Kontroller at det ikke er støv i kontakten.
- Kontroller at støpselet stikkes helt inn i strømuttaket.
- Du må ikke berøre støpselet når du er våt på hendene.
- Under følgende forhold må du koble skriveren fra vegguttaket og få utført service hos kvalifisert personell:
 - A. Hvis strømledningen eller støpselet er skadet eller frynset.
 - B. Hvis det er sølt væske inn i skriveren.
 - C. Hvis skriveren har vært utsatt for regn eller vann.
 - D. Hvis skriveren ikke fungerer normalt når du følger bruksanvisningen. Du må bare justere kontrollene som omfattes av bruksanvisningen, ettersom feilaktig justering av andre kontroller kan forårsake skade, og ofte vil kreve omfattende reparasjon utført av kvalifisert personell for at skriveren skal fungere normalt igjen.
 - E. Hvis du har mistet skriveren i gulvet, eller kabinettet er skadet.
 - F. Hvis skriveren har en tydelig endring i ytelse, noe som angir behov for service.
- Unngå å dele strømuttak med annet utstyr.
- Koble alt utstyret til strømuttak som er skikkelig jordet. Unngå å bruke stikkontakter på samme krets som fotokopieringsmaskiner eller klimaanlegg som jevnlig slås av og på.

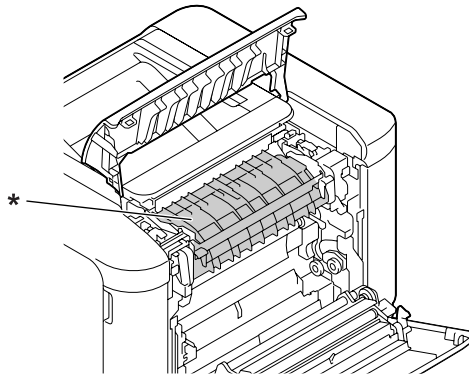
- Koble skriveren til et strømuttak som har spesifikasjoner som svarer til strømbehovet for skriveren. Strømspesifikasjonene for skriveren er angitt på en etikett som er festet på skriveren. Hvis du ikke er sikker på spesifikasjonene for strømforsyningen der du holder til, kan du kontakte strømleverandøren eller forhandleren.
- Hvis du bruker skjøteledning, må du kontrollere at den totale angitte mengden strøm (ampere) for produktene som er koblet til skjøteledningen, ikke overskrider angitt tillatt strøm for ledningen.
- Når du kobler produktet til en datamaskin eller annet utstyr med en kabel, må du kontrollere at kontaktene står riktig vei. Det er bare én riktig måte å koble til kontaktene på. Hvis en kontakt blir koblet til feil vei, kan begge enhetene som kobles sammen med kabelen, bli skadet.
- Hvis du bruker det valgfrie skriverstativet, må du først sørge for at posisjoneringspinnene installeres riktig. Se User's Guide for veiledning om hvordan du installerer posisjoneringspinnene.

Finne riktig sted for skriveren

- Plasser skriveren nær et strømuttak der det er enkelt å koble til og fra strømkabelen.
- Ikke plasser skriveren et sted der ledningen vil bli tråkket på.
- Ikke bruk skriveren i fuktig miljø.
- Unngå steder der skriveren blir utsatt for direkte sollys, sterk varme, fuktighet, oljedamp eller støv.
- Ikke plasser skriveren på et ustabilt underlag.
- Skriveren er utstyrt med spor og åpninger for ventilasjon i kabinettet, på baksiden og på undersiden. Ikke blokker dem eller dekk dem til. Ikke plasser skriveren på en seng, sofa, teppe eller annen lignende overflate, eller i en innebygd installasjon, med mindre det er tilstrekkelig ventilasjon.
- Hold hele datamaskinsystemet borte fra potensielle kilder til forstyrrelser, for eksempel høyttalere og baseenheter for trådløse telefoner.
- La det være tilstrekkelig plass rundt skriveren til at ventilasjonen blir god.

Bruke skriveren

- ❑ Pass på at du ikke berører fusereheten, som er merket med **CAUTION**, eller områdene omkring. Hvis skriveren har vært i bruk, kan fusereheten og områdene rundt være veldig varme. Hvis du må berøre ett av disse områdene, må du først vente i 40 minutter til varmen avtar.



* CAUTION

- ❑ Ikke stikk hånden dypt inn i smelteheten, siden noen komponenter er skarpe og kan forårsake skade.
- ❑ Ikke skyv gjenstander gjennom sporene i kabinettet, da disse kan komme nær farlige spenningspunkter eller kortslutte deler og føre til brann eller elektrisk støt.
- ❑ Ikke sitt på eller len deg mot skriveren. Ikke plasser tunge gjenstander på skriveren.
- ❑ Ikke bruk noen typer brennbare gasser i eller rundt skriveren.
- ❑ Bruk ikke makt når du skal sette komponentene i skriveren på plass. Selv om skriveren er konstruert for å være solid, kan den bli skadet av røff behandling.
- ❑ Ikke la fastkjørt papir bli værende inne i skriveren. Det kan føre til at skriveren blir overopphetet.
- ❑ Ikke søl væske på skriveren.
- ❑ Du kan bare justere de kontrollene som er dekket av brukerhåndboken. Hvis du justerer andre kontroller på feil måte, kan det oppstå skader som må repareres av kvalifisert servicepersonell.
- ❑ Slå ikke av skriveren:
 - Når du har slått på skriveren, venter du til Klar vises på LCD-panelet.
 - Under utskrift eller ved andre operasjoner som f.eks. å skrive data til eksterne enheter.
- ❑ Unngå å ta på komponentene inne i skriveren med mindre det er etter anvisninger i denne håndboken.

- Følg alle advarslene og instruksjonene som skriveren er merket med.
- Du må ikke forsøke å reparere produktet selv, bortsett fra slik det spesifikt er forklart i håndbøkene som følger med skriveren.
- Trekk ut støpselet jevnlig fra strømuttaket, og rengjør pinnene.
- Du må ikke trekke ut støpselet mens skriveren er på.
- Hvis skriveren ikke skal brukes på en god stund, trekker du ut støpselet fra strømuttaket.
- Koble skriveren fra strømuttaket før rengjøring.
- Bruk en godt oppvridd klut til rengjøring, og ikke bruk flytende eller spraybaserte rengjøringsmidler.
- Når skriveren flyttes, må den alltid holdes vannrett.
- Ikke fjern fastkjørt papir med kraft. Revet papir kan være vanskelig å fjerne, og kan forårsake andre papirstopp. Trekk forsiktig og jevnt i papiret for å unngå at det revner, faller ned eller at du skader deg.
- Dra ikke i strømledningen når du tar kontakten ut. Hold alltid i kontakten når du tar den ut.
- Pass på så du ikke kutter deg på den skarpe papirkanten.
- Hvis du skal transportere skriveren, slå den først av og trekk ut strømkabelen fra støpselet. Sørg for at alle kabler kobles fra.

Håndtere forbruksvarer

- Brukte forbruksvarer må ikke brennes fordi de kan eksplodere og forårsake personskaade. Komponentene må kastes i samsvar med lokale bestemmelser.
- Forbruksvarekomponenter må oppbevares utilgjengelig for barn.
- Når du håndterer bildekassetter, må du alltid plassere dem på en ren og jevn flate.
- Du må ikke prøve å endre eller demontere bildekassetter.
- Ikke ta på toneren. Unngå å få toner i øynene. Hvis du får toner på huden eller klærne, må du umiddelbart vaske det av med såpe og vann.
- Hvis det blir sølt toner, må du bruke kost og feiebrett eller fuktig klut med såpe og vann til å gjøre rent. De små partiklene kan forårsake brann eller eksplosjoner hvis de kommer i kontakt med gnister, og av den grunn må du ikke bruke støvsuger.

- ❑ Vent i minst én time før du bruker en bildekassett etter at den er flyttet fra kalde til varme omgivelser. Dette er for å hindre skader som følge av kondensering.
- ❑ Du oppnår best mulig utskriftskvalitet hvis bildekassetten ikke oppbevares på steder der den kan bli utsatt for direkte sollys, støv, saltholdig luft eller korrosjonsfremmende gasser, for eksempel ammoniakk. Unngå steder som er utsatt for ekstreme eller hurtige endringer i temperatur og fuktighet.
- ❑ Når du tar ut bildekassetten, må den ikke utsettes for sollys, og unngå at den utsettes for rombelysning i mer enn fem minutter. Bildekassetten inneholder en lysfølsom trommel. Trommelen kan skades hvis den utsettes for lys, og dette kan føre til mørke eller lyse partier på utskriften samt redusere brukstiden til trommelen. Hvis du må oppbevare bildekassetten utenfor skriveren i lengre perioder, må den tildekkes med et ugjennomsiktig teppe.
- ❑ Pass på at overflaten på trommelen ikke blir skrapet opp. Når du tar ut bildekassetten fra skriveren, må du alltid plassere den på en ren og jevn flate. Unngå å ta på trommelen, siden fett fra huden kan føre til permanent skade på overflaten og ha innvirkning på utskriftskvaliteten.

Sikkerhetsinformasjon

Etiketter for lasersikkerhet



Advarsel:

Andre prosedyrer og justeringer enn dem som er angitt i dokumentasjonen til skriveren, kan føre til skadelig strålebelastning. Skriveren er et laserprodukt i klasse 1 i henhold til IEC60825-spesifikasjonene. Den viste etiketten er festet på baksiden av skriveren i de land der dette er påkrevd.



Intern laserstråling

Det er laserdiode-basert utstyr av klasse III b med usynlig laserstråle inne i skriverhodeenheten. Det kan IKKE UTFØRES SERVICE på skriverhodeenheten. Derfor skal den ikke åpnes under noen omstendigheter. Et tilleggsmerke med laseradvarsel er festet på innsiden av skriveren.



Ozonsikkerhet

Ozonutslipp

Laserskrivere genererer ozongass som et biprodukt av utskriftsprosessen. Det produseres bare ozon når skriveren skriver ut.

Grense for ozoneksponering

Epson-laserskriveren produserer mindre enn 3 mg/t ved kontinuerlig utskrift.

Risikominimering

Du kan minimere risikoen for ozoneksponering ved å unngå følgende:

- Bruk av flere laserskrivere i et begrenset område
- Bruk under forhold med ekstremt lav fuktighet
- Dårlig ventilasjon
- Lang, kontinuerlig utskrift i kombinasjon med noen av situasjonene ovenfor

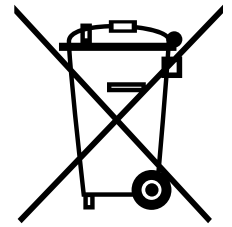
Plassering av skriveren

Skriveren må plasseres slik at gassutslipp og varmegenerering skjer på følgende måte:

- Ikke blåst direkte i ansiktet på brukeren

- Om mulig ventilert direkte ut av bygningen

Battery Addendum



English

The crossed out wheeled bin label that can be found on your product indicates that this product and incorporated batteries should not be disposed of via the normal household waste stream. To prevent possible harm to the environment or human health please separate this product and its batteries from other waste streams to ensure that it can be recycled in an environmentally sound manner. For more details on available collection facilities please contact your local government office or the retailer where you purchased this product. Use of the chemical symbols Pb, Cd or Hg indicates if these metals are used in the battery.

Deutsch

Der Aufkleber mit durchgekrenzter Mülltonne an diesem Produkt weist darauf hin, dass dieses Produkt und darin enthaltene Batterien nicht im normalen Hausmüll entsorgt werden dürfen. Zur Vermeidung einer möglichen Beeinträchtigung der Umwelt oder der menschlichen Gesundheit und um zu gewährleisten, dass es in einer umweltverträglichen Weise recycelt wird, darf dieses Produkt mitsamt den Batterien nicht in den Hausmüll gegeben werden. Informationen zu Entsorgungseinrichtungen erhalten Sie bei der zuständigen Behörde oder dem Händler, bei dem Sie dieses Produkt erworben haben. Die Angabe der chemischen Zeichen Pb, Cd oder Hg bedeutet, dass diese Metalle in der Batterie verwendet werden.

Français

L'étiquette apposée sur ce produit et représentant une poubelle barrée indique que le produit et les piles intégrées ne peuvent être mis au rebut avec les déchets domestiques normaux. Afin d'éviter d'éventuels dommages au niveau de l'environnement ou sur la santé, veuillez séparer ce produit et ses piles des autres déchets de manière à garantir qu'ils soient recyclés de manière sûre au niveau environnemental. Pour plus de détails sur les sites de collecte existants, veuillez contacter l'administration locale ou le détaillant auprès duquel vous avez acheté ce produit. Les symboles chimiques Pb, Cd et Hg sont utilisés pour désigner les métaux présents dans les piles.

Italiano

L'etichetta con il contenitore barrato applicata sull'imballo indica che il prodotto e le batterie incluse non devono essere smaltiti tramite la procedura normale di smaltimento dei rifiuti domestici. Per evitare eventuali danni all'ambiente e alla salute umana, separare questo prodotto e le relative batterie da altri rifiuti domestici in modo che possano essere riciclati in base alle procedure di rispetto dell'ambiente. Per maggiori dettagli sulle strutture di raccolta disponibili, contattare l'ufficio competente del proprio comune o il rivenditore del prodotto. L'uso dei simboli chimici Pb, Cd o Hg indica la presenza di tali metalli nelle batterie.

Español

La etiqueta de un contenedor tachado que hallará en su producto indica que este producto y sus pilas no se pueden tirar con la basura doméstica normal. Para impedir posibles daños medioambientales o para la salud, separe este producto y sus pilas de otros canales de desecho para garantizar que se recicle de una forma segura para el medio ambiente. Para más información sobre las instalaciones de recolección disponibles, diríjase a las autoridades locales o al punto de venta donde adquirió este producto. Los símbolos químicos Pb, Cd o Hg indican que las pilas contienen ese metal.

Português

A etiqueta com o símbolo de um contentor de lixo traçado com uma cruz que aparece no produto indica que este produto e as pilhas incluídas não devem ser deitados fora juntamente com o lixo doméstico. Para evitar possíveis danos no ambiente ou na saúde pública, por favor separe este produto e respectivas pilhas de outros lixos; desta forma, terá a certeza de que podem ser reciclados através de métodos não prejudiciais ao ambiente. Para obter mais informações sobre os locais de recolha de lixo disponíveis, contacte a sua junta de freguesia, câmara municipal ou local onde comprou este produto. A utilização dos símbolos químicos Pb, Cd ou Hg indica se estes metais são utilizados na pilha.

Nederlands

Op uw product is een label van een rolcontainer met een kruis erdoor aangebracht. Dit label wil zeggen dat dit product en de batterijen in het product niet bij het normale huishoudelijk afval mogen worden ingezameld. Om eventuele schade aan het milieu of de gezondheid van de mens te voorkomen moeten dit product en de batterijen gescheiden van al het ander afval worden ingezameld, zodat alles op een verantwoorde wijze kan worden verwerkt. Voor meer informatie over uw lokale afvalinzameling wendt u zich tot uw gemeente of de leverancier bij wie u dit product hebt gekocht. Gebruik van de chemische symbolen Pb, Cd of Hg geeft aan of deze metalen worden gebruikt in de batterij.

Dansk

Etiketten med et kryds over skraldespanden på hjul, der sidder på produktet, angiver, at dette produkt og dets batterier ikke må bortskaffes sammen med almindeligt husholdningsaffald. For at beskytte miljø og helbred skal dette produkt og dets batterier bortskaffes separat, så disse dele kan genbruges på en måde, der er god for miljøet. Kontakt de lokale myndigheder eller den forhandler, hos hvem du har købt produktet, vedrørende steder, hvor du kan aflevere produktet. Brugen af de kemiske symboler Pb, Cd eller Hg angiver, om disse metaller er anvendt i batteriet.

Suomi

Laitte on merkitty jäteastia-symbolilla, jonka yli on vedetty rasti. Tämä tarkoittaa, ettei laitetta tai siihen kuuluvia paristoja saa hävittää normaalin talousjätteen mukana. Älä hävitä laitetta tai sen paristoja normaalin jätteen seassa vaan varmista, että laite kierrätetään ympäristöystävällisellä tavalla, jottei ympäristölle tai ihmisille aiheudu vahinkoa. Lisätietoja kierrätyksestä ja keräyspisteistä saa ottamalla yhteyttä paikallisiin viranomaisiin tai jälleenmyyjään, jolta laite ostettiin. Kemiallisten merkien Pb (lyijy), Cd (kadmium) tai Hg (elohopea) käyttö ilmaisee, että paristo sisältää kyseistä metallia.

Svenska

Symbolen med en överkorsad soptunna innebär att denna produkt och tillhörande batterier inte får kastas i vanligt hushållsavfall. För att skydda miljön ska denna produkt och dess batterier inte kastas tillsammans med vanligt hushållsavfall utan lämnas för återvinning på tillbörligt sätt. För mer information om uppsamlingsplatser kontakta din lokala myndighet eller den återförsäljare där du har köpt produkten. De kemiska symbolerna Pb, Cd eller Hg visar om dessa metaller används i batteriet.

Norsk

Etiketten på hjulbeholderen på produktet ditt antyder at produktet og batteriene som hører med, ikke skal avhendes sammen med vanlig husholdningsavfall. Hold produktet og batteriene atskilt fra annet avfall, slik at det kan resirkuleres på en miljømessig og forsvarlig måte og dermed forhindre eventuell skade på miljø eller helse. Kontakt lokale myndigheter, eller din forhandler, for mer informasjon angående avhenting av produktet. De kjemiske symbolene Pb, Cd og Hg antyder om disse metallene har blitt brukt i batteriet.

Česky

Štítek s přeškrtnutým odpadkovým košem na kolečkách, který lze nalézt na výrobku, označuje, že se tento výrobek a přiložené baterie nemají likvidovat s běžným domovním odpadem. V zájmu ochrany životního prostředí a lidského zdraví zlikvidujte tento výrobek a jeho baterie jako tříděný odpad, který se recykluje způsobem šetrným k životnímu prostředí. Podrobnější informace o sběrných dvorech pro tříděný odpad získáte na obecním úřadě nebo u prodejce, u kterého jste tento výrobek zakoupili. Použité chemické značky Pb, Cd nebo Hg označují, zda baterie obsahuje tyto kovy.

Magyar

A terméken található, áthúzott szemetest ábrázoló címke azt jelzi, hogy ezt a terméket és a hozzá tartozó elemeket nem szabad a rendes háztartási szeméttel együtt kidobni. Az esetleges környezeti- vagy egészségkárosodást megelőzendő, kérjük, hogy ezt a terméket és az elemeket a többi szeméttől elkülönítve helyezze el, és biztosítsa, hogy azt környezetbarát módon újrahasznosítsák. A rendelkezésére álló begyűjtő létesítményekről kérjük tájékozódjon a megfelelő helyi állami szerveknél vagy a viszonteladónál, ahol a terméket vásárolta. A Pb, Cd vagy Hg vegyjelek jelzik, ha ilyen fémeket is felhasználtak az elem gyártása során.

Polski

Symbol przekreślonego kosza znajdujący się na produkcie oznacza, że nie można produktu oraz wewnętrzznego akumulatora utylizować razem z normalnymi odpadami z gospodarstwa domowego. Aby zapobiec potencjalnemu zagrożeniu dla środowiska lub zdrowia ludzkiego, produkt oraz wewnętrzny akumulator należy odseparować od reszty odpadów z gospodarstwa domowego i utylizować w ekologicznie właściwy sposób. Szczegółowe informacje na temat punktów zbiórki odpadów można uzyskać w lokalnych urzędach lub u sprzedawcy danego produktu. Symbole chemiczne Pb, Cd lub Hg oznaczają, że metale te zostały zastosowane w akumulatorze.

Slovensky

Štítok s preškrtnutým odpadkovým košom na kolieskach, ktorý je možné nájsť na výrobku, označuje, že tento produkt a obsiahnuté batérie sa nemajú likvidovať s bežným komunálnym odpadom. V záujme ochrany životného prostredia a ľudského zdravia zlikvidujte tento výrobok a batérie ako triedený odpad, ktorý sa recykluje spôsobom šetrným k životnému prostrediu. Podrobnejšie informácie o zberných dvoroch pre triedený odpad získate na obecnom úrade alebo u predajcu, u ktorého ste príslušný výrobok zakúpili. Použitie chemických značiek Pb, Cd alebo Hg znamená, že tieto kovy sú použité v batériách.

Slovenski

Prečrtan koš za smeti na etiketi, katero lahko najdete na vašem izdelku, pomeni, da niti tega izdelka niti njegovih baterij ne smete odvreči podobno kot vse ostale smeti. Da bi preprečili morebitne škodljive vplive na okolje ali zdravje, ločite izdelek in njegove baterije od vseh ostalih odpadkov in poskrbite, da bodo reciklirani na okolju prijazen način. Natančne informacije o tem, kje se nahajajo primerna odlagališča, pridobite v vašem krajevnem uradu ali pri prodajalcu. Kemijski simboli Pb, Cd in Hg označujejo, katere kovine vsebuje baterija.

Eesti

Teie tootele kleebitud tähis, mis kujutab ratastega prügikonteinerit, millele on rist peale tõmmatud, keelab toote ja sellega kaasasolevate patareide kõrvaldamise majapidamisjäätmetega sarnasel viisil. Keskkonnale või inimeste tervisele tekitava võimaliku kahju vältimiseks eraldage toode ja selle patareid teistest jäätmetest, et tagada nende korduvkasutamise keskkonnasäästlikul viisil. Kui soovite saada rohkem teavet võimalike kogumispunktide kohta, võtke ühendust kohaliku omavalituse ametnikuga või teile toote müünud jaemüüjaga. Keemiliste sümbolite Pb, Cd või Hg kasutamise näitab, kas tootes on vastavaid metalle kasutatud.

Lietuviškai

Užbraukta ratuota šiukšliadėžės etiketė, kurią rasite ant jūsų produkto, reiškia, kad šis produktas ir pridedamos baterijos neturėtų būti išmestas kartu su įprastinėmis buitinėmis šiukšlėmis. Siekiant išvengti galiamos žalos aplinkai bei žmonių sveikatai, prašome atskirti šį produktą ir pridedamas baterijas nuo kitų atliekų, ir įsitikinti, kad jis būtų perdirbtas aplinkai nepavojingu būdu. Jei reikia išsamesnės informacijos apie atliekų surinkimo ypatumus, prašome kreiptis į savo vietos valdžios įstaigas arba į mažmeninį pardavėją, iš kurio jūs įsigijote šį produktą. Atitinkamų metalų naudojimas baterijose yra pažymėtas cheminiais simboliais Pb, Cd arba Hg ant baterijų.

Latviski

Marķējums ar pārsvītrotu atkritumu tvertni uz ritenīšiem, kas redzams uz izstrādājuma, norāda, ka šo izstrādājumu un tajā iekļautās baterijas nedrīkst likvidēt kopā ar parastajiem sadzīves atkritumiem. Lai novērstu iespējamo kaitējumu videi vai cilvēku veselībai, lūdzu, atdaliet šo izstrādājumu un tā baterijas no citiem atkritumiem, tādējādi nodrošinot tā otrreizējo pārstrādi videi drošā veidā. Papildinformācijai par pieejamajām atkritumu savākšanas iespējām, lūdzu, sazinieties ar vietējo pašvaldību vai mazumtirgotāju, no kura jūs iegādājāties šo izstrādājumu. Ķīmisko simbolu Pb, Cd un Hg izmantošana uz marķējuma nozīmē, ka šie metāli ir izmantoti baterijā.

Ελληνικά

Η διαγραμμένη ετικέτα του τροχοφόρου κάδου απορριμμάτων που θα βρείτε πάνω στο προϊόν σας υποδεικνύει ότι αυτό το προϊόν και οι ενσωματωμένες μπαταρίες δεν πρέπει να απορρίπτεται μέσω του κανονικού δικτύου αποκομιδής οικιακών απορριμμάτων. Για να αποτρέψετε πιθανές επιπτώσεις στο περιβάλλον ή την ατομική υγεία, παρακαλούμε να διαχωρίσετε αυτό το προϊόν και τις μπαταρίες του από άλλα δίκτυα αποκομιδής ώστε να διασφαλίσετε ότι είναι δυνατή η ανακύκλωσή του με έναν περιβαλλοντικά θεμιτό τρόπο. Για περισσότερες πληροφορίες σχετικά με τις διαθέσιμες δυνατότητες συλλογής απορριμμάτων, παρακαλούμε να επικοινωνήσετε με την τοπική κυβερνητική αρχή ή το κατάστημα λιανικής από όπου αγοράσατε αυτό το προϊόν. Η χρήση των χημικών συμβόλων Pb, Cd ή Hg υποδεικνύει εάν χρησιμοποιούνται τα μέταλλα αυτά στην μπαταρία.

Türkçe

Ürününüzün üzerinde bulunan çarpi işaretli tekerlekli kutu etiketi, bu ürünün ve beraberinde gelen pillerin normal ev atık sistemi vasıtasıyla elden çıkarılmaması gerektiğini gösterir. Çevreye ve insan sağlığına zarar vermeye yönelik önlemler için, lütfen bu ürünü ve pillerini çevreye zarar vermeyecek şekilde geri dönüşüme tabi tutulmak üzere diğer atıklardan ayırın. Mevcut toplama tesisleri ile ilgili ayrıntılı bilgi edinmek için, yerel devlet makamlarıyla veya bu ürünü satın aldığınız satıcıyla iletişime geçin. Pb, Cd veya Hg kimyasal sembollerinin kullanılması, bu metallerin pillerin üretiminde kullanılıp kullanılmadığını ifade eder.

Română

Eticheta arătând un coș de gunoi tăiat cu două linii încrucișate, care poate fi găsită pe produs, indică faptul că acesta și bateriile încorporate nu trebuie aruncate la gunoi laolaltă cu gunoiul menajer. Pentru a evita posibila degradare a mediului înconjurător sau a sănătății umane, colectați separat acest produs și bateriile încorporate și nu împuneți cu gunoiul menajer pentru a vă asigura că acestea pot fi reciclate într-un mod ecologic. Pentru mai multe detalii privind punctele disponibile de colectare, contactați autoritățile locale sau comerciantul de la care ați achiziționat acest produs. Utilizarea simbolurilor unor substanțe chimice precum Pb, Cd sau Hg indică faptul că aceste metale sunt utilizate în baterie.

Български

Етикетът, представляващ зачертано кошче за боклук в кръг, който можете да видите върху вашия продукт, означава, че този продукт и батериите към него не трябва да се изхвърлят заедно с обикновените домакински отпадъци. За предпазване от евентуални щети върху околната среда или човешкото здраве, моля, отделете този продукт и батериите му от останалите отпадъци, за да се гарантира, че той ще бъде рециклиран по екологично съобразен начин. За повече информация относно наличните места за събиране на отпадъци, моля, свържете се с местните власти или търговеца, от когото сте закупили този продукт. Химическите символи Pb, Cd и Hg посочват дали съответните метали са използвани в батерията.

This information only applies to customers in the European Union, according to DIRECTIVE 2006/66/EC OF THE EUROPEAN PARLIAMENT AND OF THE COUNCIL OF 6 September 2006 on batteries and accumulators and waste batteries and accumulators and repealing Directive 91/157/EEC and legislation transposing and implementing it into the various national legal systems.

For other countries, please contact your local government to investigate the possibility of recycling your product.

Säkerhetsanvisningar

Varningar, Obs!-meddelanden och anmärkningar

**Varningar**

måste noga efterföljas för att undvika kroppsskador.

**Obs!**

måste iakttas för att undvika skador på utrustningen.

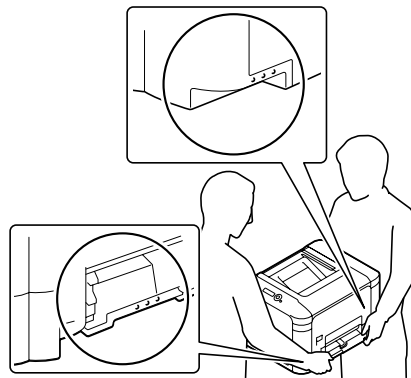
Anmärkningar

innehåller viktig information och praktiska tips om hur du använder skrivaren.

Viktig säkerhetsinformation

Installera skrivaren

- Eftersom skrivaren väger c:a 27 kg när förbrukningsartiklar är monterade bör en person inte lyfta eller bära skrivaren. Två personer ska hjälpas åt att bära skrivaren genom att lyfta den på platserna som visas nedan.



- Om du inte kan sätta in kontakten i eluttaget kontaktar du en elektriker.

- Kontrollera att nätsladden uppfyller alla tillämpliga, lokala säkerhetsnormer. Använd bara nätsladden som medföljer produkten. Om du använder en annan sladd kan det leda till brand eller elektriska stötar. Produktens nätsladd är enbart avsedd för användning med den här produkten. Om den används med annan utrustning kan det leda till brand eller elektriska stötar.
- Byt ut sladden eller kontakta en kvalificerad elektriker om kontakten skadas. Om det finns säkringar i kontakten ska du se till att de byts ut till säkringar av rätt storlek och märkvärde.
- Använd ett jordat uttag som överensstämmer med skrivarens elkontakt. Använd inte en adapterkontakt.
- Undvik att använda ett eluttag som styrs av knappar på väggen eller automatiska timers. Oavsiktliga strömavbrott kan radera värdefull information i datorns och skrivarens minne.
- Kontrollera att eluttaget inte är dammigt.
- Se till att kontakten förs in helt i eluttaget.
- Hantera inte kontakten med våta händer.
- Dra ur sladden och kontakta en kvalificerad servicetekniker om följande inträffar:
 - A. Om nätsladden eller kontakten är skadad eller utsliten.
 - B. Om du spiller ut vätska i skrivaren.
 - C. Om den har utsatts för regn eller vatten.
 - D. Om den inte fungerar på normalt sätt när du följer användarinstruktionerna. Justera bara de kontroller som täcks av användarinstruktionerna, eftersom felaktig justering av kontroller kan orsaka skador och kräver oftast ett omfattande arbete av en kvalificerad servicetekniker för att återställa produkten till normal drift.
 - E. Om du tappar skrivaren eller om höljet har skadats.
 - F. Om en påtaglig förändring av prestanda sker är det ett tecken på att service behöver utföras.
- Dela inte uttag med andra apparater.
- Anslut all utrustning till jordade eluttag. Undvik att använda eluttag i samma krets som kopiatorer eller luftkonditioneringsystem som regelbundet slås av och på.

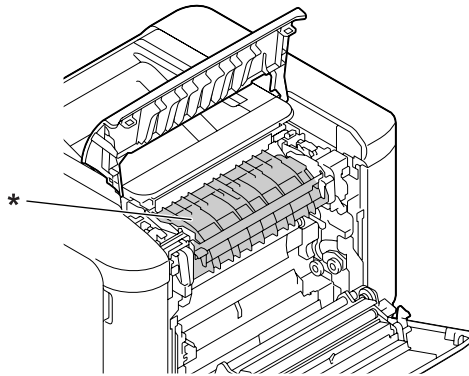
- ❑ Anslut skrivaren till ett eluttag som uppfyller strömkraven för den här skrivaren. Skrivarens strömkrav anges på en etikett som sitter på skrivaren. Om du inte är säker på specifikationerna för strömtillförsel i ditt område kontaktar du det lokala elbolaget eller rådfrågar återförsäljaren.
- ❑ Om du använder en förlängningssladd, måste du se till att den totala märkströmmen för produkterna som är kopplade till förlängningssladden inte överstiger sladdens märkström.
- ❑ När du ansluter apparaten till en dator eller annan enhet med en kabel ser du till att kontakterna sitter rätt. Varje kontakt har endast en korrekt riktning. Om en kontakt sätts in i fel riktning kan båda enheterna som ansluts med hjälp av kabeln skadas.
- ❑ När du använder papperskassettenheten (tillval), se till att installera positioneringsstiften korrekt. Instruktioner hur du monterar positioneringsstiften finns i User's Guide.

Skrivarens placering

- ❑ Placera skrivaren nära ett elektriskt uttag där du lätt kan sätta in och dra ut sladden.
- ❑ Sätt inte skrivaren på en plats där sladden kommer att trampas på.
- ❑ Använd inte skrivaren i en fuktig miljö.
- ❑ Undvik platser som utsätts för direkt solljus, hög värme, fukt, oljeångor och damm.
- ❑ Placera inte skrivaren på en ostadig yta.
- ❑ Fack och öppningar i höljet och på baksidan eller i botten är avsedda för ventilation. Se till att du inte blockerar eller täcker dem. Sätt inte skrivaren i en säng, soffa, på en matta eller liknande ytor eller i en inbyggd installation med dålig ventilation.
- ❑ Håll hela dator- och skrivarsystemet borta från potentiella störningskällor, som högtalare eller basenheter till sladdlösa telefoner.
- ❑ Lämna tillräckligt med plats runt skrivaren för god ventilation.

Använda skrivaren

- ❑ Se till att inte vidröra fixeringsenheten, som är märkt med **CAUTION**, och undvik även att vidröra omgivande ytor. Om skrivaren har använts kan fixeringsenheten och omgivande ytor vara mycket varma. Om du måste röra områdena väntar du först i 40 minuter så att temperaturen sjunker.



* CAUTION

- ❑ För inte in handen långt in i fixeringsenheten eftersom en del komponenter är vassa och kan orsaka skada.
- ❑ För inte in föremål i några öppningar eftersom de kan komma i kontakt med farliga strömförande eller kortslutande delar, vilket kan leda till risk för brand eller elektriska stötar.
- ❑ Sitt inte på eller luta dig mot skrivaren. Placera inte tunga föremål på skrivaren.
- ❑ Använd inte några former av antändbara gaser i eller i närheten av skrivaren.
- ❑ Använd inte överdriven kraft när du sätter skrivarens komponenter på plats. Även om skrivaren är utformad för att tåla mycket kan ovarsam hantering skada den.
- ❑ Låt inte papper som har fastnat sitta kvar i skrivaren. Det kan leda till att skrivaren överhettas.
- ❑ Se till att du inte spillar vätska av något slag på skrivaren.
- ❑ Justera endast de inställningar som tas upp i användarinstruktionerna. Felaktig justering av andra inställningar kan orsaka skador som kräver att reparationer utförs av en kvalificerad servicetekniker.
- ❑ Stäng inte av skrivaren:
 - Vänta tills Klar visas på LCD-skärmen när du har slagit på skrivaren.
 - Vid utskrift eller under andra åtgärder, såsom skrivning av data till externa enheter.

- Undvik att vidröra komponenterna inuti skrivaren om det inte står i den här handboken att du ska göra det.
- Följ alla varningsmeddelanden och instruktioner som anges på skrivaren.
- Försök aldrig underhålla produkten själv förutom på det sätt som beskrivs specifikt i skrivardokumentationen.
- Dra regelbundet ut kontakten ur eluttaget och rengör stiften.
- Dra inte ut kontakten när skrivaren är på.
- Dra ut kontakten ur eluttaget om skrivaren inte kommer att användas på en längre tid.
- Dra ur sladden innan du rengör skrivaren.
- Använd en väl urvriden trasa vid rengöring och använd inte rengöringsvätska eller -spray.
- Skrivaren ska alltid hållas i horisontellt läge när den flyttas.
- Använd inte överdriven kraft för att ta bort papper som fastnat. Sönderrivet papper kan vara svårt att ta bort och kan orsaka nytt pappersstopp. Dra ut papperet försiktigt och jämnt så att det inte rivs sönder och inget trillar som kan orsaka skador.
- Dra inte i själva nätkabeln när kontakten kopplas ur. Se till att alltid hålla i kontakten när den kopplas ur.
- Låt inte papperskanter glida mot huden eftersom du kan skära dig på papperskanten.
- När skrivaren ska transporteras, stäng av den och koppla ur nätsladden från eluttaget. Se till att koppla ur alla kablar.

Hantera förbrukningsartiklar

- Bränn inte använda förbrukningsartiklar eftersom de kan explodera och orsaka personskador. Kassera dem enligt lokala föreskrifter.
- Var noga med att förvara förbrukningsartiklar utom räckhåll för barn.
- När du hanterar en bildkassett ska du alltid placera den på en ren och jämn yta.
- Försök aldrig att modifiera eller ta isär en bildkassett.
- Vidrör inte tonern. Låt aldrig toner komma i kontakt med ögonen. Om du får toner på huden eller på kläderna ska du omedelbart tvätta bort den med tvål och vatten.

- ❑ Torka upp utspild toner med en sopborste och skyffel eller en trasa fuktad med tvål och vatten. Använd inte dammsugare eftersom de fina partiklarna kan orsaka brand eller explosion om de kommer i kontakt med en gnista.
- ❑ Vänta minst en timme innan du använder en bildkassetten när du har flyttat den från en kall till en varm miljö för att förhindra skada från kondensering.
- ❑ För att uppnå bästa utskriftskvalitet ska du inte förvara bildkassetten på en plats där den utsätts för direkt solljus, damm, salthaltig luft eller frätande gaser (t.ex. ammoniak). Undvik platser där temperaturen eller luftfuktigheten kan ändras snabbt.
- ❑ När du tar bort bildkassetten ska du inte utsätta den för solljus och du bör undvika att utsätta den för rumsbelysning i mer än fem minuter. Bildkassetten innehåller en ljuskänslig trumma. Trumman kan skadas om den utsätts för ljus vilket gör att mörka eller ljusa områden syns på den utskrivna sidan och trummans livslängd förkortas. Om du måste förvara bildkassetten utanför skrivaren under en längre tid ska den täckas med en ogenomskinlig trasa.
- ❑ Var försiktig så att du inte repar ytan på trumman. När du tar bort bildkassetten från skrivaren ska du alltid placera den på en ren, jämn yta. Undvik att vidröra trumman eftersom fett från huden kan skada ytan och påverka utskriftskvaliteten.

Säkerhetsinformation

Lasersäkerhetsetiketter



Varning!

Om du utför procedurer eller justeringar andra än de som beskrivs i skrivarens dokumentation kan det leda till att du utsätts för skadlig strålning. Skrivaren är en laserprodukt klass 1 så som det definieras i IEC60825-specifikationerna. Etiketten som visas sitter på baksidan av skrivaren i de länder där det är obligatoriskt.



Intern laserstrålning

Det finns en laserdiod klass III b med en osynlig laserstråle inuti skrivarhuvudet. Enheten för skrivarhuvudet är INTE ETT SERVICEOBJEKT, därför får inte skrivarhuvudet öppnas under några omständigheter. Ännu en laservarningsetikett sitter inuti skrivaren.



Ozonsäkerhet

Ozonutsläpp

Ozongas genereras av laserskrivare som biprodukt under utskriftsprocessen. Ozon produceras bara när skrivaren skriver ut.

Ozonexponeringsgräns

Epson laserskrivaren genererar mindre än 3 mg/tim vid kontinuerlig utskrift.

Minska risken

För att minska risken för ozonexponering bör du undvika följande:

- Använda flera laserskrivare på en begränsad yta
- Användning vid extremt låg luftfuktighet
- Dålig ventilation
- Lång, kontinuerlig utskrift samtidigt som något av ovanstående

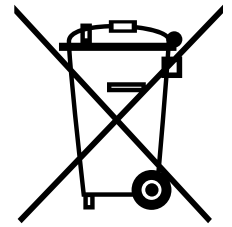
Skrivarplats

Skrivaren bör stå på en plats där utsläppsgaser och värmen som alstras:

- Inte blåser direkt i användarens ansikte

- När som helst kan ventileras bort från byggnaden

Battery Addendum



English

The crossed out wheeled bin label that can be found on your product indicates that this product and incorporated batteries should not be disposed of via the normal household waste stream. To prevent possible harm to the environment or human health please separate this product and its batteries from other waste streams to ensure that it can be recycled in an environmentally sound manner. For more details on available collection facilities please contact your local government office or the retailer where you purchased this product. Use of the chemical symbols Pb, Cd or Hg indicates if these metals are used in the battery.

Deutsch

Der Aufkleber mit durchgekrenzter Mülltonne an diesem Produkt weist darauf hin, dass dieses Produkt und darin enthaltene Batterien nicht im normalen Hausmüll entsorgt werden dürfen. Zur Vermeidung einer möglichen Beeinträchtigung der Umwelt oder der menschlichen Gesundheit und um zu gewährleisten, dass es in einer umweltverträglichen Weise recycelt wird, darf dieses Produkt mitsamt den Batterien nicht in den Hausmüll gegeben werden. Informationen zu Entsorgungseinrichtungen erhalten Sie bei der zuständigen Behörde oder dem Händler, bei dem Sie dieses Produkt erworben haben. Die Angabe der chemischen Zeichen Pb, Cd oder Hg bedeutet, dass diese Metalle in der Batterie verwendet werden.

Français

L'étiquette apposée sur ce produit et représentant une poubelle barrée indique que le produit et les piles intégrées ne peuvent être mis au rebut avec les déchets domestiques normaux. Afin d'éviter d'éventuels dommages au niveau de l'environnement ou sur la santé, veuillez séparer ce produit et ses piles des autres déchets de manière à garantir qu'ils soient recyclés de manière sûre au niveau environnemental. Pour plus de détails sur les sites de collecte existants, veuillez contacter l'administration locale ou le détaillant auprès duquel vous avez acheté ce produit. Les symboles chimiques Pb, Cd et Hg sont utilisés pour désigner les métaux présents dans les piles.

Italiano

L'etichetta con il contenitore barrato applicata sull'imballo indica che il prodotto e le batterie incluse non devono essere smaltiti tramite la procedura normale di smaltimento dei rifiuti domestici. Per evitare eventuali danni all'ambiente e alla salute umana, separare questo prodotto e le relative batterie da altri rifiuti domestici in modo che possano essere riciclati in base alle procedure di rispetto dell'ambiente. Per maggiori dettagli sulle strutture di raccolta disponibili, contattare l'ufficio competente del proprio comune o il rivenditore del prodotto. L'uso dei simboli chimici Pb, Cd o Hg indica la presenza di tali metalli nelle batterie.

Español

La etiqueta de un contenedor tachado que hallará en su producto indica que este producto y sus pilas no se pueden tirar con la basura doméstica normal. Para impedir posibles daños medioambientales o para la salud, separe este producto y sus pilas de otros canales de desecho para garantizar que se recicle de una forma segura para el medio ambiente. Para más información sobre las instalaciones de recolección disponibles, diríjase a las autoridades locales o al punto de venta donde adquirió este producto. Los símbolos químicos Pb, Cd o Hg indican que las pilas contienen ese metal.

Português

A etiqueta com o símbolo de um contentor de lixo traçado com uma cruz que aparece no produto indica que este produto e as pilhas incluídas não devem ser deitados fora juntamente com o lixo doméstico. Para evitar possíveis danos no ambiente ou na saúde pública, por favor separe este produto e respectivas pilhas de outros lixos; desta forma, terá a certeza de que podem ser reciclados através de métodos não prejudiciais ao ambiente. Para obter mais informações sobre os locais de recolha de lixo disponíveis, contacte a sua junta de freguesia, câmara municipal ou local onde comprou este produto. A utilização dos símbolos químicos Pb, Cd ou Hg indica se estes metais são utilizados na pilha.

Nederlands

Op uw product is een label van een rolcontainer met een kruis erdoor aangebracht. Dit label wil zeggen dat dit product en de batterijen in het product niet bij het normale huishoudelijk afval mogen worden ingezameld. Om eventuele schade aan het milieu of de gezondheid van de mens te voorkomen moeten dit product en de batterijen gescheiden van al het ander afval worden ingezameld, zodat alles op een verantwoorde wijze kan worden verwerkt. Voor meer informatie over uw lokale afvalinzameling wendt u zich tot uw gemeente of de leverancier bij wie u dit product hebt gekocht. Gebruik van de chemische symbolen Pb, Cd of Hg geeft aan of deze metalen worden gebruikt in de batterij.

Dansk

Etiketten med et kryds over skraldespanden på hjul, der sidder på produktet, angiver, at dette produkt og dets batterier ikke må bortskaffes sammen med almindeligt husholdningsaffald. For at beskytte miljø og helbred skal dette produkt og dets batterier bortskaffes separat, så disse dele kan genbruges på en måde, der er god for miljøet. Kontakt de lokale myndigheder eller den forhandler, hos hvem du har købt produktet, vedrørende steder, hvor du kan aflevere produktet. Brugen af de kemiske symboler Pb, Cd eller Hg angiver, om disse metaller er anvendt i batteriet.

Suomi

Laitte on merkitty jäteastia-symbolilla, jonka yli on vedetty rasti. Tämä tarkoittaa, ettei laitetta tai siihen kuuluvia paristoja saa hävittää normaalin talousjätteen mukana. Älä hävitä laitetta tai sen paristoja normaalin jätteen seassa vaan varmista, että laite kierrätetään ympäristöystävällisellä tavalla, jottei ympäristölle tai ihmisille aiheudu vahinkoa. Lisätietoja kierrätyksestä ja keräyspisteistä saa ottamalla yhteyttä paikallisiin viranomaisiin tai jälleenmyyjään, jolta laite ostettiin. Kemiallisten merkien Pb (lyijy), Cd (kadmium) tai Hg (elohopea) käyttö ilmaisee, että paristo sisältää kyseistä metallia.

Svenska

Symbolen med en överkorsad soptunna innebär att denna produkt och tillhörande batterier inte får kastas i vanligt hushållsavfall. För att skydda miljön ska denna produkt och dess batterier inte kastas tillsammans med vanligt hushållsavfall utan lämnas för återvinning på tillbörligt sätt. För mer information om uppsamlingsplatser kontakta din lokala myndighet eller den återförsäljare där du har köpt produkten. De kemiska symbolerna Pb, Cd eller Hg visar om dessa metaller används i batteriet.

Norsk

Etiketten på hjulbeholderen på produktet ditt antyder at produktet og batteriene som hører med, ikke skal avhendes sammen med vanlig husholdningsavfall. Hold produktet og batteriene atskilt fra annet avfall, slik at det kan resirkuleres på en miljømessig og forsvarlig måte og dermed forhindre eventuell skade på miljø eller helse. Kontakt lokale myndigheter, eller din forhandler, for mer informasjon angående avhenting av produktet. De kjemiske symbolene Pb, Cd og Hg antyder om disse metallene har blitt brukt i batteriet.

Česky

Štítek s přeškrtnutým odpadkovým košem na kolečkách, který lze nalézt na výrobku, označuje, že se tento výrobek a přiložené baterie nemají likvidovat s běžným domovním odpadem. V zájmu ochrany životního prostředí a lidského zdraví zlikvidujte tento výrobek a jeho baterie jako tříděný odpad, který se recykluje způsobem šetrným k životnímu prostředí. Podrobnější informace o sběrných dvorech pro tříděný odpad získáte na obecním úřadě nebo u prodejce, u kterého jste tento výrobek zakoupili. Použité chemické značky Pb, Cd nebo Hg označují, zda baterie obsahuje tyto kovy.

Magyar

A terméken található, áthúzott szemetest ábrázoló címke azt jelzi, hogy ezt a terméket és a hozzá tartozó elemeket nem szabad a rendes háztartási szeméttel együtt kidobni. Az esetleges környezeti- vagy egészségkárosodást megelőzendő, kérjük, hogy ezt a terméket és az elemeket a többi szeméttől elkülönítve helyezze el, és biztosítsa, hogy azt környezetbarát módon újrahasznosítsák. A rendelkezésére álló begyűjtő létesítményekről kérjük tájékozódjon a megfelelő helyi állami szerveknél vagy a viszonteladónál, ahol a terméket vásárolta. A Pb, Cd vagy Hg vegyjelek jelzik, ha ilyen fémeket is felhasználtak az elem gyártása során.

Polski

Symbol przekreślonego kosza znajdujący się na produkcie oznacza, że nie można produktu oraz wewnętrzznego akumulatora utylizować razem z normalnymi odpadami z gospodarstwa domowego. Aby zapobiec potencjalnemu zagrożeniu dla środowiska lub zdrowia ludzkiego, produkt oraz wewnętrzny akumulator należy odseparować od reszty odpadów z gospodarstwa domowego i utylizować w ekologicznie właściwy sposób. Szczegółowe informacje na temat punktów zbiórki odpadów można uzyskać w lokalnych urzędach lub u sprzedawcy danego produktu. Symbole chemiczne Pb, Cd lub Hg oznaczają, że metale te zostały zastosowane w akumulatorze.

Slovensky

Štítok s preškrtnutým odpadkovým košom na kolieskach, ktorý je možné nájsť na výrobku, označuje, že tento produkt a obsiahnuté batérie sa nemajú likvidovať s bežným komunálnym odpadom. V záujme ochrany životného prostredia a ľudského zdravia zlikvidujte tento výrobok a batérie ako triedený odpad, ktorý sa recykluje spôsobom šetrným k životnému prostrediu. Podrobnejšie informácie o zberných dvoroch pre triedený odpad získate na obecnom úrade alebo u predajcu, u ktorého ste príslušný výrobok zakúpili. Použitie chemických značiek Pb, Cd alebo Hg znamená, že tieto kovy sú použité v batériách.

Slovenski

Prečrtan koš za smeti na etiketi, katero lahko najdete na vašem izdelku, pomeni, da niti tega izdelka niti njegovih baterij ne smete odvreči podobno kot vse ostale smeti. Da bi preprečili morebitne škodljive vplive na okolje ali zdravje, ločite izdelek in njegove baterije od vseh ostalih odpadkov in poskrbite, da bodo reciklirani na okolju prijazen način. Natančne informacije o tem, kje se nahajajo primerna odlagališča, pridobite v vašem krajevnem uradu ali pri prodajalcu. Kemijski simboli Pb, Cd in Hg označujejo, katere kovine vsebuje baterija.

Eesti

Teie tootele kleebitud tähis, mis kujutab ratastega prügikonteinerit, millele on rist peale tõmmatud, keelab toote ja sellega kaasasolevate patareide kõrvaldamise majapidamisjäätmetega sarnasel viisil. Keskkonnale või inimeste tervisele tekitava võimaliku kahju vältimiseks eraldage toode ja selle patareid teistest jäätmetest, et tagada nende korduvkasutamise keskkonnasäästlikul viisil. Kui soovite saada rohkem teavet võimalike kogumispunktide kohta, võtke ühendust kohaliku omavalituse ametnikuga või teile toote müünud jaemüüjaga. Keemiliste sümbolite Pb, Cd või Hg kasutamise näitab, kas tootes on vastavaid metalle kasutatud.

Lietuviškai

Užbraukta ratuota šiukšliadėžės etiketė, kurią rasite ant jūsų produkto, reiškia, kad šis produktas ir pridedamos baterijos neturėtų būti išmestas kartu su įprastinėmis buitinėmis šiukšlėmis. Siekiant išvengti galimos žalos aplinkai bei žmonių sveikatai, prašome atskirti šį produktą ir pridedamas baterijas nuo kitų atliekų, ir įsitikinti, kad jis būtų perdirbtas aplinkai nepavojingu būdu. Jei reikia išsamesnės informacijos apie atliekų surinkimo ypatumus, prašome kreiptis į savo vietos valdžios įstaigas arba į mažmeninį pardavėją, iš kurio jūs įsigijote šį produktą. Atitinkamų metalų naudojimas baterijose yra pažymėtas cheminiais simboliais Pb, Cd arba Hg ant baterijų.

Latviski

Marķējums ar pārsvītrotu atkritumu tvertni uz ritenīšiem, kas redzams uz izstrādājuma, norāda, ka šo izstrādājumu un tajā iekļautās baterijas nedrīkst likvidēt kopā ar parastajiem sadzīves atkritumiem. Lai novērstu iespējamo kaitējumu videi vai cilvēku veselībai, lūdzu, atdaliet šo izstrādājumu un tā baterijas no citiem atkritumiem, tādējādi nodrošinot tā otrreizējo pārstrādi videi drošā veidā. Papildinformācijai par pieejamajām atkritumu savākšanas iespējām, lūdzu, sazinieties ar vietējo pašvaldību vai mazumtirgotāju, no kura jūs iegādājāties šo izstrādājumu. Ķīmisko simbolu Pb, Cd un Hg izmantošana uz marķējuma nozīmē, ka šie metāli ir izmantoti baterijā.

Ελληνικά

Η διαγραμμένη ετικέτα του τροχοφόρου κάδου απορριμμάτων που θα βρείτε πάνω στο προϊόν σας υποδεικνύει ότι αυτό το προϊόν και οι ενσωματωμένες μπαταρίες δεν πρέπει να απορρίπτεται μέσω του κανονικού δικτύου αποκομιδής οικιακών απορριμμάτων. Για να αποτρέψετε πιθανές επιπτώσεις στο περιβάλλον ή την ατομική υγεία, παρακαλούμε να διαχωρίσετε αυτό το προϊόν και τις μπαταρίες του από άλλα δίκτυα αποκομιδής ώστε να διασφαλίσετε ότι είναι δυνατή η ανακύκλωσή του με έναν περιβαλλοντικά θεμιτό τρόπο. Για περισσότερες πληροφορίες σχετικά με τις διαθέσιμες δυνατότητες συλλογής απορριμμάτων, παρακαλούμε να επικοινωνήσετε με την τοπική κυβερνητική αρχή ή το κατάστημα λιανικής από όπου αγοράσατε αυτό το προϊόν. Η χρήση των χημικών συμβόλων Pb, Cd ή Hg υποδεικνύει εάν χρησιμοποιούνται τα μέταλλα αυτά στην μπαταρία.

Türkçe

Ürününüzün üzerinde bulunan çarpi işaretli tekerlekli kutu etiketi, bu ürünün ve beraberinde gelen pillerin normal ev atık sistemi vasıtasıyla elden çıkarılmaması gerektiğini gösterir. Çevreye ve insan sağlığına zarar vermeye yönelik önlemler için, lütfen bu ürünü ve pillerini çevreye zarar vermeyecek şekilde geri dönüşüme tabi tutulmak üzere diğer atıklardan ayırın. Mevcut toplama tesisleri ile ilgili ayrıntılı bilgi edinmek için, yerel devlet makamlarıyla veya bu ürünü satın aldığınız satıcıyla iletişime geçin. Pb, Cd veya Hg kimyasal sembollerinin kullanılması, bu metallerin pillerin üretiminde kullanılıp kullanılmadığını ifade eder.

Română

Eticheta arătând un coș de gunoi tăiat cu două linii încrucișate, care poate fi găsită pe produs, indică faptul că acesta și bateriile încorporate nu trebuie aruncate la gunoi laolaltă cu gunoiul menajer. Pentru a evita posibila degradare a mediului înconjurător sau a sănătății umane, colectați separat acest produs și bateriile încorporate și nu împuneți cu gunoiul menajer pentru a vă asigura că acestea pot fi reciclate într-un mod ecologic. Pentru mai multe detalii privind punctele disponibile de colectare, contactați autoritățile locale sau comerciantul de la care ați achiziționat acest produs. Utilizarea simbolurilor unor substanțe chimice precum Pb, Cd sau Hg indică faptul că aceste metale sunt utilizate în baterie.

Български

Етикетът, представляващ зачертано кошче за боклук в кръг, който можете да видите върху вашия продукт, означава, че този продукт и батериите към него не трябва да се изхвърлят заедно с обикновените домакински отпадъци. За предпазване от евентуални щети върху околната среда или човешкото здраве, моля, отделете този продукт и батериите му от останалите отпадъци, за да се гарантира, че той ще бъде рециклиран по екологично съобразен начин. За повече информация относно наличните места за събиране на отпадъци, моля, свържете се с местните власти или търговеца, от когото сте закупили този продукт. Химическите символи Pb, Cd и Hg подсочват дали съответните метали са използвани в батерията.

This information only applies to customers in the European Union, according to DIRECTIVE 2006/66/EC OF THE EUROPEAN PARLIAMENT AND OF THE COUNCIL OF 6 September 2006 on batteries and accumulators and waste batteries and accumulators and repealing Directive 91/157/EEC and legislation transposing and implementing it into the various national legal systems.

For other countries, please contact your local government to investigate the possibility of recycling your product.

Bezpečnostní pokyny

Varování, upozornění a poznámky



Varování

Je nutno pečlivě dodržovat, aby nedošlo ke zranění.



Upozornění

Je nutno respektovat, aby nedošlo k poškození zařízení.

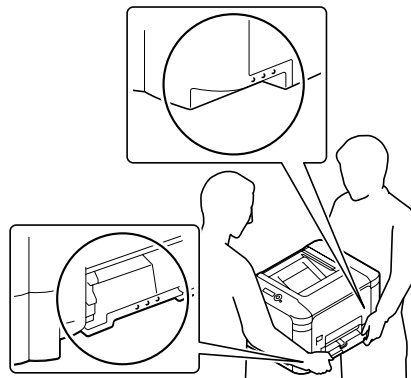
Poznámky

obsahují důležité informace a užitečné tipy pro práci s tiskárnou.

Důležité bezpečnostní pokyny

Nastavení tiskárny

- ❑ Jelikož hmotnost tiskárny včetně instalovaných spotřebních materiálů činí zhruba 27 kg, neměla by ji zvedat či přenášet jedna osoba. Tiskárnu by měly přenášet dvě osoby, zdvihnutím na správných místech naznačených níže.



- ❑ Pokud zástrčku nelze zasunout do zásuvky, obraťte se na kvalifikovaného elektrikáře.

- Ujistěte se, že napájecí kabel střídavého napětí splňuje příslušné místní bezpečnostní normy. Používejte pouze napájecí šňůru, která je dodávána s produktem. Použití jiného kabelu může způsobit požár nebo úraz elektrickým proudem. Napájecí kabel tohoto produktu je určen pouze pro použití s tímto produktem. Použití s jiným zařízením může způsobit požár nebo úraz elektrickým proudem.
- Pokud dojde poškození zástrčky, vyměňte celý kabel nebo se informujte u kvalifikovaného elektrotechnika. Pokud jsou v zástrčce použity pojistky, vyměňte je vždy za pojistky správné velikosti a proudové hodnoty.
- Použijte uzemněnou zásuvku, která je určena pro zástrčku tiskárny. Nepoužívejte adaptér zástrčky.
- Nepoužívejte elektrické zásuvky ovládané nástěnnými spínači nebo automatickými vypínači. Náhodné přerušování napájení může vést ke ztrátě cenných dat uložených v paměti počítače a tiskárny.
- Na zástrčce nesmí být žádný prach.
- Zasuňte zástrčku zcela do elektrické zásuvky.
- Nemanipulujte se zástrčkou mokřými rukama.
- V následujících případech tiskárnu odpojte ze sítě a svěřte opravu kvalifikovanému servisnímu technikovi:
 - A. Pokud je napájecí kabel jakkoli poškozený.
 - B. Pokud se do tiskárny rozlila jakákoli tekutina.
 - C. Pokud byla tiskárna vystavena dešti nebo se dostala do styku s vodou.
 - D. Pokud tiskárna při dodržení provozních pokynů nepracuje správně. Nastavení provádějte pouze u ovládacích prvků popsanych v provozních pokynech, jelikož nesprávné nastavení dalších ovládacích prvků může tiskárnu poškodit, a vyžádat tak rozsáhlou opravu provedenou kvalifikovaným servisním technikem.
 - E. Pokud jste tiskárnu upustili nebo došlo k poškození její skříně.
 - F. Pokud dojde k výrazné změně výkonu tiskárny, což naznačuje, že je třeba tiskárnu opravit.
- Nepoužívejte elektrickou zásuvku, ke které jsou připojena další zařízení.

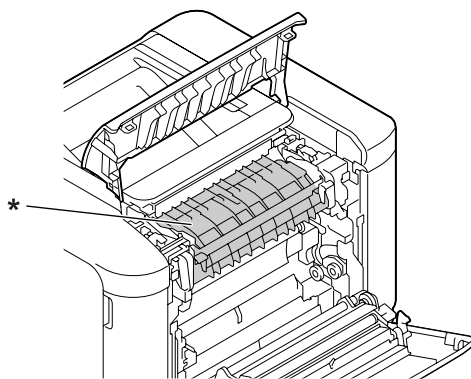
- ❑ Veškeré zařízení připojte k řádně uzemněným zásuvkám. Vyhněte se použití zásuvek na okruhu spolu s fotokopírkami nebo systémy řízení klimatu, které se pravidelně zapínají a vypínají.
- ❑ Připojujte tiskárnu pouze k zásuvce, která splňuje požadavky této tiskárny. Požadavky tiskárny na zdroj napájení jsou uvedeny na štítku na tiskárně. Pokud si nejste jisti, jaké jsou charakteristiky zdrojů napájení ve vaší oblasti, obraťte se na místního dodavatele elektrické energie nebo na prodejce zařízení.
- ❑ Pokud pro zapojení tiskárny používáte prodlužovací šňůru, zkontrolujte, zda příkon všech zařízení zapojených pomocí této šňůry (v ampérech) nepřekračuje kapacitu šňůry.
- ❑ Při připojování tohoto zařízení k počítači či jinému zařízení pomocí kabelu dbejte na správné zapojení konektorů. Každý konektor lze zapojit jen jedním způsobem. Pokud konektor připojíte s nesprávnou orientací, mohlo by dojít k poškození propojených zařízení.
- ❑ Pokud používáte doplňkovou kazetovou jednotku na papír, ujistěte se, že instalujete polohovací kolíky správně. Pokyny k instalaci polohovacích kolíků najdete v User's Guide.

Umístění tiskárny

- ❑ Umístěte tiskárnu v blízkosti elektrické zásuvky, ze které lze snadno odpojit napájecí šňůru.
- ❑ Neinstalujte tiskárnu v místech, kde by lidé šlapali na napájecí šňůru.
- ❑ Nepoužívejte tiskárnu ve vlhkém prostředí.
- ❑ Neumísťujte tiskárnu na přímé sluneční světlo ani do prostředí s nadměrnou teplotou, vlhkostí, olejovými výpary nebo prašností.
- ❑ Neumísťujte tiskárnu na nestabilní povrch.
- ❑ Otvory a štěrby ve skříni tiskárny a na její zadní a spodní straně slouží k větrání. Neblokujte je ani je nezakrývejte. Nepokládejte tiskárnu na postele, pohovky, koberce nebo podobné povrchy ani do vestavných skříní, pokud zde není zajištěno řádné větrání.
- ❑ Umísťujte počítač a tiskárnu mimo dosah potenciálních zdrojů elektromagnetického rušení, jako jsou reproduktory nebo základny bezšňůrových telefonů.
- ❑ Ponechejte kolem tiskárny dostatek prostoru, aby bylo zajištěno její dostatečné větrání.

Používání tiskárny

- ❑ Nedotýkejte se fixační jednotky označené **UPOZORNENIE** ani okolních součástí. Pokud byla tiskárna právě používána, může být okolí fixační jednotky velmi horké. Pokud je přístup k těmto oblastem nutný, počkejte 40 minut, aby horké části mohly vychladnout, a potom pokračujte.



* UPOZORNENIE

- ❑ Nesahejte na fixační jednotku, protože některé součástky jsou ostré a mohly by způsobit poranění.
- ❑ Nikdy do otvorů ve skříni tiskárny nestrkejte žádné předměty, jelikož se mohou dostat do kontaktu se součástmi pod nebezpečným napětím nebo je zkratovat a způsobit požár nebo úraz elektrickým proudem.
- ❑ Na tiskárnu nesedejte ani se o ni neopírejte. Na tiskárnu nepokládejte těžké předměty.
- ❑ Uvnitř ani okolo tiskárny nepoužívejte žádný typ výbušného plynu.
- ❑ Nikdy součásti tiskárny nevracejte na původní místo silou. Ačkoli je tiskárna odolná, nesprávným zacházením ji můžete poškodit.
- ❑ Nenechávejte v tiskárně uvíznutý papír. Může způsobit přehřátí tiskárny.
- ❑ Nerozlévejte na tiskárnu žádné tekutiny.
- ❑ Nastavujte pouze ty ovládací prvky, které jsou popsány v provozních pokynech. Nesprávné nastavení dalších ovládacích prvků může způsobit poškození tiskárny a může vyžadovat opravu kvalifikovaným servisním pracovníkem.
- ❑ Nevypínejte tiskárnu v následujících situacích:
 - Po zapnutí tiskárny počkejte, dokud se na LCD panelu neobjeví Připraveno.
 - Při tisku nebo provádění jiných operací, jako je například zapisování dat na externí zařízení.
- ❑ Nedotýkejte se vnitřních součástí tiskárny, pokud to není uvedeno v pokynech v této příručce.

- Dodržujte veškerá upozornění a pokyny vyznačené na tiskárně.
- Kromě konkrétních situací popsanych v dokumentaci k tiskárně se nepokoušejte sami provádět servis tiskárny.
- Pravidelně odpojte zástrčku z elektrické zásuvky a očistěte kolíky.
- Neodpojujte zástrčku, když je tiskárna zapnutá.
- Nebude-li tiskárna delší dobu používána, odpojte zástrčku z elektrické zásuvky.
- Před čištěním tiskárnu odpojte ze zásuvky.
- K čištění použijte tkanou látku, nepoužívejte tekuté čisticí prostředky ani spreje.
- Při přemísťování udržujte tiskárnu vždy ve vodorovné poloze.
- Uvíznutý papír neodstraňujte silou. Roztržený papír se těžko odstraňuje a může způsobit další uvíznutí papíru. Papír vytahujte opatrně a souvisle, aby se zabránilo jeho přetržení, pádu a zranění.
- Při vypořádání zástrčky netahejte za napájecí šňůru. Vždy zástrčku držte, když ji vypojujete.
- Okraje papíru jsou ostré a mohou způsobit zranění pořezáním.
- Když tiskárnu přemísťujete, vypněte ji a vypojte napájecí šňůru z elektrické zásuvky. Nezapomeňte odpojit všechny kabely.

Manipulace se spotřebním materiálem

- Použitý spotřební materiál nepalte, protože by mohl vybuchnout a někoho zranit. Likvidujte jej v souladu s místními předpisy.
- Spotřební materiál skladujte mimo dosah dětí.
- Tonerovou kazetu vždy pokládejte na čistý, hladký povrch.
- Nepokoušejte se tonerovou kazetu upravit nebo rozebrat.
- Nedotýkejte se toneru. Vždy zabraňte vniknutí toneru do očí. Pokud se toner dostane na kůži nebo oblečení, znečištěné místo ihned umyjte mýdlem a vodou.
- Pokud toner rozsypete, směte jej smetáčkem na lopatku nebo jej otřete látkou navlhčenou v mýdlové vodě. Jelikož jemné částičky mohou při kontaktu s jiskrou způsobit požár nebo výbuch, nepoužívejte vysavač.

- ❑ Pokud jste tonerovou kazetu přenesli z chladného do teplého prostředí, počkejte před instalací alespoň jednu hodinu, aby nedošlo k jejímu poškození způsobenému kondenzací.
- ❑ Chcete-li dosáhnout maximální kvality tisku, neskladujte tonerovou kazetu v místech vystavených přímému slunečnímu světlu, prachu, slanému vzduchu nebo korozivním plynům (např. čpavku). Vyhněte se také místům s velkými nebo rychlými změnami teploty či vlhkosti.
- ❑ Při vyjímání tonerové kazety ji nevystavujte slunečnímu svitu a vyhněte se jejímu vystavení osvětlení v místnosti na více než pět minut. Tonerová kazeta obsahuje válec fotonosiče. Vystavení světlu může válec poškodit, způsobit objevení tmavých nebo světlých oblastí na vytištěné stránce a snížení životnosti válce. Pokud potřebujete tonerovou kazetu ponechat mimo tiskárnu po delší dobu, zakryjte ji neprůsvitnou tkaninou.
- ❑ Dbejte na to, abyste nepoškrábali povrch válce. Při vyjmutí z tiskárny položte tonerovou kazetu vždy na čistý, hladký povrch. Nedotýkejte se válce, protože mastná kůže může způsobit trvalé poškození jeho povrchu a tím nepříznivě ovlivnit kvalitu tisku.

Bezpečnostní informace

Bezpečnostní štítky týkající se laseru



Varování:

Provedení postupů a nastavení, vyjma těch popsanych v dokumentaci k tiskárně, může způsobit vystavení nebezpečnému záření. Vaše tiskárna je laserový produkt Třídy 1, jak je definován parametry IEC60825. Znázorněný štítek je připevněn na zadní straně tiskárny v zemích, kde je vyžadován.



Vnitřní záření laseru

Použitá dioda je laserová dioda třídy III b, která uvnitř tiskové hlavy produkuje neviditelný laserový paprsek. Hlavu tiskárny NELZE OPRAVOVAT, proto by neměla být za žádných okolností otevírána. Uvnitř tiskárny je připevněn další štítek s varováním před laserem.



Bezpečnost v souvislosti s ozónem

Ozónové emise

Ozón je laserovou tiskárnou vytvářen jako vedlejší produkt při tisku. Ozón se vytváří jen v průběhu tisku.

Limitní dávky ozónu

Laserová tiskárna Epson generuje méně než 3 mg/h nepřetržitého tisku.

Minimalizace rizika

Pokud chcete riziko vystavení se ozónu minimalizovat, vyhýbejte se následujícím situacím:

- Použití několika laserových tiskáren v uzavřené místnosti.
- Provoz tiskárny při extrémně nízké vlhkosti vzduchu.
- Špatné větrání místnosti.
- Dlouhý nepřetržitý tisk ve výše uvedených situacích.

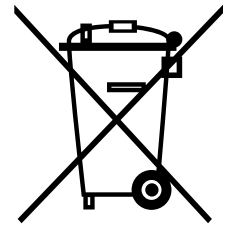
Umístění tiskárny

Tiskárna by měla být umístěna takto:

- Zplodiny a teplo by neměly být odváděny směrem přímo k uživateli.

- ❑ Měly by být odváděny pokud možno mimo budovu.

Battery Addendum



English

The crossed out wheeled bin label that can be found on your product indicates that this product and incorporated batteries should not be disposed of via the normal household waste stream. To prevent possible harm to the environment or human health please separate this product and its batteries from other waste streams to ensure that it can be recycled in an environmentally sound manner. For more details on available collection facilities please contact your local government office or the retailer where you purchased this product. Use of the chemical symbols Pb, Cd or Hg indicates if these metals are used in the battery.

Deutsch

Der Aufkleber mit durchgekrenzter Mülltonne an diesem Produkt weist darauf hin, dass dieses Produkt und darin enthaltene Batterien nicht im normalen Hausmüll entsorgt werden dürfen. Zur Vermeidung einer möglichen Beeinträchtigung der Umwelt oder der menschlichen Gesundheit und um zu gewährleisten, dass es in einer umweltverträglichen Weise recycelt wird, darf dieses Produkt mitsamt den Batterien nicht in den Hausmüll gegeben werden. Informationen zu Entsorgungseinrichtungen erhalten Sie bei der zuständigen Behörde oder dem Händler, bei dem Sie dieses Produkt erworben haben. Die Angabe der chemischen Zeichen Pb, Cd oder Hg bedeutet, dass diese Metalle in der Batterie verwendet werden.

Français

L'étiquette apposée sur ce produit et représentant une poubelle barrée indique que le produit et les piles intégrées ne peuvent être mis au rebut avec les déchets domestiques normaux. Afin d'éviter d'éventuels dommages au niveau de l'environnement ou sur la santé, veuillez séparer ce produit et ses piles des autres déchets de manière à garantir qu'ils soient recyclés de manière sûre au niveau environnemental. Pour plus de détails sur les sites de collecte existants, veuillez contacter l'administration locale ou le détaillant auprès duquel vous avez acheté ce produit. Les symboles chimiques Pb, Cd et Hg sont utilisés pour désigner les métaux présents dans les piles.

Italiano

L'etichetta con il contenitore barrato applicata sull'imballo indica che il prodotto e le batterie incluse non devono essere smaltiti tramite la procedura normale di smaltimento dei rifiuti domestici. Per evitare eventuali danni all'ambiente e alla salute umana, separare questo prodotto e le relative batterie da altri rifiuti domestici in modo che possano essere riciclati in base alle procedure di rispetto dell'ambiente. Per maggiori dettagli sulle strutture di raccolta disponibili, contattare l'ufficio competente del proprio comune o il rivenditore del prodotto. L'uso dei simboli chimici Pb, Cd o Hg indica la presenza di tali metalli nelle batterie.

Español

La etiqueta de un contenedor tachado que hallará en su producto indica que este producto y sus pilas no se pueden tirar con la basura doméstica normal. Para impedir posibles daños medioambientales o para la salud, separe este producto y sus pilas de otros canales de desecho para garantizar que se recicle de una forma segura para el medio ambiente. Para más información sobre las instalaciones de recolección disponibles, diríjase a las autoridades locales o al punto de venta donde adquirió este producto. Los símbolos químicos Pb, Cd o Hg indican que las pilas contienen ese metal.

Português

A etiqueta com o símbolo de um contentor de lixo traçado com uma cruz que aparece no produto indica que este produto e as pilhas incluídas não devem ser deitados fora juntamente com o lixo doméstico. Para evitar possíveis danos no ambiente ou na saúde pública, por favor separe este produto e respectivas pilhas de outros lixos; desta forma, terá a certeza de que podem ser reciclados através de métodos não prejudiciais ao ambiente. Para obter mais informações sobre os locais de recolha de lixo disponíveis, contacte a sua junta de freguesia, câmara municipal ou local onde comprou este produto. A utilização dos símbolos químicos Pb, Cd ou Hg indica se estes metais são utilizados na pilha.

Nederlands

Op uw product is een label van een rolcontainer met een kruis erdoor aangebracht. Dit label wil zeggen dat dit product en de batterijen in het product niet bij het normale huishoudelijk afval mogen worden ingezameld. Om eventuele schade aan het milieu of de gezondheid van de mens te voorkomen moeten dit product en de batterijen gescheiden van al het ander afval worden ingezameld, zodat alles op een verantwoorde wijze kan worden verwerkt. Voor meer informatie over uw lokale afvalinzameling wendt u zich tot uw gemeente of de leverancier bij wie u dit product hebt gekocht. Gebruik van de chemische symbolen Pb, Cd of Hg geeft aan of deze metalen worden gebruikt in de batterij.

Dansk

Etiketten med et kryds over skraldespanden på hjul, der sidder på produktet, angiver, at dette produkt og dets batterier ikke må bortskaffes sammen med almindeligt husholdningsaffald. For at beskytte miljø og helbred skal dette produkt og dets batterier bortskaffes separat, så disse dele kan genbruges på en måde, der er god for miljøet. Kontakt de lokale myndigheder eller den forhandler, hos hvem du har købt produktet, vedrørende steder, hvor du kan aflevere produktet. Brugen af de kemiske symboler Pb, Cd eller Hg angiver, om disse metaller er anvendt i batteriet.

Suomi

Laitte on merkitty jäteastia-symbolilla, jonka yli on vedetty rasti. Tämä tarkoittaa, ettei laitetta tai siihen kuuluvia paristoja saa hävittää normaalin talousjätteen mukana. Älä hävitä laitetta tai sen paristoja normaalin jätteen seassa vaan varmista, että laite kierrätetään ympäristöystävällisellä tavalla, jottei ympäristölle tai ihmisille aiheudu vahinkoa. Lisätietoja kierrätyksestä ja keräyspisteistä saa ottamalla yhteyttä paikallisiin viranomaisiin tai jälleenmyyjään, jolta laite ostettiin. Kemiallisten merkien Pb (lyijy), Cd (kadmium) tai Hg (elohopea) käyttö ilmaisee, että paristo sisältää kyseistä metallia.

Svenska

Symbolen med en överkorsad soptunna innebär att denna produkt och tillhörande batterier inte får kastas i vanligt hushållsavfall. För att skydda miljön ska denna produkt och dess batterier inte kastas tillsammans med vanligt hushållsavfall utan lämnas för återvinning på tillbörligt sätt. För mer information om uppsamlingsplatser kontakta din lokala myndighet eller den återförsäljare där du har köpt produkten. De kemiska symbolerna Pb, Cd eller Hg visar om dessa metaller används i batteriet.

Norsk

Etiketten på hjulbeholderen på produktet ditt antyder at produktet og batteriene som hører med, ikke skal avhendes sammen med vanlig husholdningsavfall. Hold produktet og batteriene atskilt fra annet avfall, slik at det kan resirkuleres på en miljømessig og forsvarlig måte og dermed forhindre eventuell skade på miljø eller helse. Kontakt lokale myndigheter, eller din forhandler, for mer informasjon angående avhenting av produktet. De kjemiske symbolene Pb, Cd og Hg antyder om disse metallene har blitt brukt i batteriet.

Česky

Štítek s přeškrtnutým odpadkovým košem na kolečkách, který lze nalézt na výrobku, označuje, že se tento výrobek a přiložené baterie nemají likvidovat s běžným domovním odpadem. V zájmu ochrany životního prostředí a lidského zdraví zlikvidujte tento výrobek a jeho baterie jako tříděný odpad, který se recykluje způsobem šetrným k životnímu prostředí. Podrobnější informace o sběrných dvorech pro tříděný odpad získáte na obecním úřadě nebo u prodejce, u kterého jste tento výrobek zakoupili. Použité chemické značky Pb, Cd nebo Hg označují, zda baterie obsahuje tyto kovy.

Magyar

A terméken található, áthúzott szemetest ábrázoló címke azt jelzi, hogy ezt a terméket és a hozzá tartozó elemeket nem szabad a rendes háztartási szeméttel együtt kidobni. Az esetleges környezeti- vagy egészségkárosodást megelőzendő, kérjük, hogy ezt a terméket és az elemeket a többi szeméttől elkülönítve helyezze el, és biztosítsa, hogy azt környezetbarát módon újrahasznosítsák. A rendelkezésére álló begyűjtő létesítményekről kérjük tájékozódjon a megfelelő helyi állami szerveknél vagy a viszonteladónál, ahol a terméket vásárolta. A Pb, Cd vagy Hg vegyjelek jelzik, ha ilyen fémeket is felhasználtak az elem gyártása során.

Polski

Symbol przekreślonego kosza znajdujący się na produkcie oznacza, że nie można produktu oraz wewnętrzznego akumulatora utylizować razem z normalnymi odpadami z gospodarstwa domowego. Aby zapobiec potencjalnemu zagrożeniu dla środowiska lub zdrowia ludzkiego, produkt oraz wewnętrzny akumulator należy odseparować od reszty odpadów z gospodarstwa domowego i utylizować w ekologicznie właściwy sposób. Szczegółowe informacje na temat punktów zbiórki odpadów można uzyskać w lokalnych urzędach lub u sprzedawcy danego produktu. Symbole chemiczne Pb, Cd lub Hg oznaczają, że metale te zostały zastosowane w akumulatorze.

Slovensky

Štítok s preškrtnutým odpadkovým košom na kolieskach, ktorý je možné nájsť na výrobku, označuje, že tento produkt a obsiahnuté batérie sa nemajú likvidovať s bežným komunálnym odpadom. V záujme ochrany životného prostredia a ľudského zdravia zlikvidujte tento výrobok a batérie ako triedený odpad, ktorý sa recykluje spôsobom šetrným k životnému prostrediu. Podrobnejšie informácie o zberných dvoroch pre triedený odpad získate na obecnom úrade alebo u predajcu, u ktorého ste príslušný výrobok zakúpili. Použitie chemických značiek Pb, Cd alebo Hg znamená, že tieto kovy sú použité v batériách.

Slovenski

Prečrtan koš za smeti na etiketi, katero lahko najdete na vašem izdelku, pomeni, da niti tega izdelka niti njegovih baterij ne smete odvreči podobno kot vse ostale smeti. Da bi preprečili morebitne škodljive vplive na okolje ali zdravje, ločite izdelek in njegove baterije od vseh ostalih odpadkov in poskrbite, da bodo reciklirani na okolju prijazen način. Natančne informacije o tem, kje se nahajajo primerna odlagališča, pridobite v vašem krajevnem uradu ali pri prodajalcu. Kemijski simboli Pb, Cd in Hg označujejo, katere kovine vsebuje baterija.

Eesti

Teie tootele kleebitud tähis, mis kujutab ratastega prügikonteinerit, millele on rist peale tõmmatud, keelab toote ja sellega kaasasolevate patareide kõrvaldamise majapidamisjäätmetega sarnasel viisil. Keskkonnale või inimeste tervisele tekitava võimaliku kahju vältimiseks eraldage toode ja selle patareid teistest jäätmetest, et tagada nende korduvkasutamise keskkonnasäästlikul viisil. Kui soovite saada rohkem teavet võimalike kogumispunktide kohta, võtke ühendust kohaliku omavalituse ametnikuga või teile toote müünud jaemüüjaga. Keemiliste sümbolite Pb, Cd või Hg kasutamise näitab, kas tootes on vastavaid metalle kasutatud.

Lietuviškai

Užbraukta ratuota šiukšliadėžės etiketė, kurią rasite ant jūsų produkto, reiškia, kad šis produktas ir pridedamos baterijos neturėtų būti išmestas kartu su įprastinėmis buitinėmis šiukšlėmis. Siekiant išvengti galiamos žalos aplinkai bei žmonių sveikatai, prašome atskirti šį produktą ir pridedamas baterijas nuo kitų atliekų, ir įsitikinti, kad jis būtų perdirbtas aplinkai nepavojingū būdu. Jei reikia išsamesnės informacijos apie atliekų surinkimo ypatumus, prašome kreiptis į savo vietos valdžios įstaigas arba į mažmeninį pardavėją, iš kurio jūs įsigijote šį produktą. Atitinkamų metalų naudojimas baterijose yra pažymėtas cheminiais simboliais Pb, Cd arba Hg ant baterijų.

Latviski

Marķējums ar pārsvītrotu atkritumu tvertni uz ritenīšiem, kas redzams uz izstrādājuma, norāda, ka šo izstrādājumu un tajā iekļautās baterijas nedrīkst likvidēt kopā ar parastajiem sadzīves atkritumiem. Lai novērstu iespējamo kaitējumu videi vai cilvēku veselībai, lūdzu, atdaliet šo izstrādājumu un tā baterijas no citiem atkritumiem, tādējādi nodrošinot tā otrreizējo pārstrādi videi drošā veidā. Papildinformācijai par pieejamajām atkritumu savākšanas iespējām, lūdzu, sazinieties ar vietējo pašvaldību vai mazumtirgotāju, no kura jūs iegādājāties šo izstrādājumu. Ķīmisko simbolu Pb, Cd un Hg izmantošana uz marķējuma nozīmē, ka šie metāli ir izmantoti baterijā.

Ελληνικά

Η διαγραμμένη ετικέτα του τροχοφόρου κάδου απορριμμάτων που θα βρείτε πάνω στο προϊόν σας υποδεικνύει ότι αυτό το προϊόν και οι ενσωματωμένες μπαταρίες δεν πρέπει να απορρίπτεται μέσω του κανονικού δικτύου αποκομιδής οικιακών απορριμμάτων. Για να αποτρέψετε πιθανές επιπτώσεις στο περιβάλλον ή την ατομική υγεία, παρακαλούμε να διαχωρίσετε αυτό το προϊόν και τις μπαταρίες του από άλλα δίκτυα αποκομιδής ώστε να διασφαλίσετε ότι είναι δυνατή η ανακύκλωσή του με έναν περιβαλλοντικά θεμιτό τρόπο. Για περισσότερες πληροφορίες σχετικά με τις διαθέσιμες δυνατότητες συλλογής απορριμμάτων, παρακαλούμε να επικοινωνήσετε με την τοπική κυβερνητική αρχή ή το κατάστημα λιανικής από όπου αγοράσατε αυτό το προϊόν. Η χρήση των χημικών συμβόλων Pb, Cd ή Hg υποδεικνύει εάν χρησιμοποιούνται τα μέταλλα αυτά στην μπαταρία.

Türkçe

Ürününüzün üzerinde bulunan çarpi işaretli tekerlekli kutu etiketi, bu ürünün ve beraberinde gelen pillerin normal ev atık sistemi vasıtasıyla elden çıkarılmaması gerektiğini gösterir. Çevreye ve insan sağlığına zarar vermeyei önlemek için, lütfen bu ürünü ve pillerini çevreye zarar vermeyecek şekilde geri dönüşüme tabi tutulmak üzere diğer atıklardan ayırın. Mevcut toplama tesisleri ile ilgili ayrıntılı bilgi edinmek için, yerel devlet makamlarıyla veya bu ürünü satın aldığınız satıcıyla irtibata geçin. Pb, Cd veya Hg kimyasal sembollerinin kullanılması, bu metallerin pillerin üretiminde kullanılıp kullanılmadığını ifade eder.

Română

Eticheta arătând un coș de gunoi tăiat cu două linii încrucișate, care poate fi găsită pe produs, indică faptul că acesta și bateriile încorporate nu trebuie aruncate la gunoi laolaltă cu gunoiul menajer. Pentru a evita posibila degradare a mediului înconjurător sau a sănătății umane, colectați separat acest produs și bateriile încorporate și nu împuneți cu gunoiul menajer pentru a vă asigura că acestea pot fi reciclate într-un mod ecologic. Pentru mai multe detalii privind punctele disponibile de colectare, contactați autoritățile locale sau comerciantul de la care ați achiziționat acest produs. Utilizarea simbolurilor unor substanțe chimice precum Pb, Cd sau Hg indică faptul că aceste metale sunt utilizate în baterie.

Български

Етикетът, представляващ зачертано кошче за боклук в кръг, който можете да видите върху вашия продукт, означава, че този продукт и батериите към него не трябва да се изхвърлят заедно с обикновените домакински отпадъци. За предпазване от евентуални щети върху околната среда или човешкото здраве, моля, отделете този продукт и батериите му от останалите отпадъци, за да се гарантира, че той ще бъде рециклиран по екологично съобразен начин. За повече информация относно наличните места за събиране на отпадъци, моля, свържете се с местните власти или търговеца, от когото сте закупили този продукт. Химическите символи Pb, Cd и Hg посочват дали съответните метали са използвани в батерията.

This information only applies to customers in the European Union, according to DIRECTIVE 2006/66/EC OF THE EUROPEAN PARLIAMENT AND OF THE COUNCIL OF 6 September 2006 on batteries and accumulators and waste batteries and accumulators and repealing Directive 91/157/EEC and legislation transposing and implementing it into the various national legal systems.

For other countries, please contact your local government to investigate the possibility of recycling your product.

Biztonsági előírások

A Vigyázat!, Figyelem! és Megjegyzés címkével megjelölt utasítások



Vigyázat!

Az ilyen utasításokat a testi sérülések elkerülése érdekében gondosan be kell tartani.



Figyelem!

Az ilyen utasításokat a berendezés sérüléseinek elkerülése végett kell betartani.

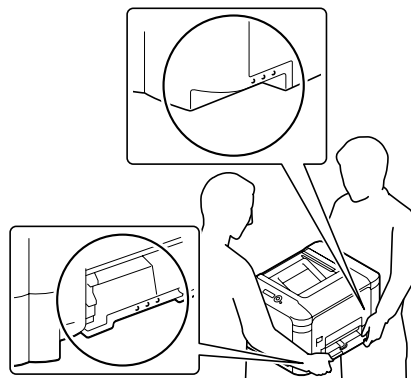
Megjegyzés

Az ilyen részek a nyomtató használatára vonatkozó fontos információkat és hasznos tanácsokat tartalmaznak.

Fontos biztonsági előírások

A nyomtató üzembe helyezése

- ❑ Mivel a nyomtató tömege a beszerelt fogyóeszközökkel együtt kb. 27 kg, felemelését vagy mozgatását nem végezheti egyetlen személy. A nyomtatót két embernek célszerű vinni, az ábrán látható helyeken megfogva.



- ❑ Ha a tápkábel csatlakozóját nem tudja bedugni a konnektorba, forduljon villanszerelőhöz.

- ❑ Ügyeljen arra, hogy az erősáramú kábel megfeleljen a releváns helyi biztonsági előírásoknak. Csak a termékhez kapott erősáramú kábelt használja. Más kábel használata tüzet vagy áramütést okozhat. A termék erősáramú kábele csak ezzel a termékkel használható. Ha más készülékhez használják, tűz keletkezhet, vagy áramütést okozhat.
- ❑ Ha a dugó megsérül, cserélje ki a vezetékkészletet, vagy forduljon képzett villanyszerelőhöz. Ha biztosítékok vannak a dugóban, feltétlenül cserélje ki azokat a megfelelő méretűekre és paraméterűekre.
- ❑ A nyomtató dugaszához illő földelt konnektort használjon. Ne használjon dugó-átalakítót.
- ❑ Ne használjon fali kapcsolóról vagy automatikus időzítőről vezérelt konnektorokat. Az áramellátás véletlen megszakítása azt eredményezheti, hogy értékes információk vesznek el a számítógép és a nyomtató memóriájából.
- ❑ Győződjön meg arról, hogy nincs por a nyílásban.
- ❑ Ellenőrizze, hogy a csatlakozó megfelelően illeszkedjen a konnektorba.
- ❑ Ne érjen nedves kézzel a villásdugóhoz.
- ❑ Ha a következő helyzetek bármelyike előállna, húzza ki a nyomtatót a konnektorból, majd forduljon hozzáértő szakemberhez:
 - A. Ha a tápkábel vagy a csatlakozó megsérült vagy elkopott.
 - B. Ha folyadék került a készülékbe.
 - C. Ha a készüléket eső vagy víz érte.
 - D. Ha a készülék a használati útmutató előírásainak betartása esetén nem működik rendeltetésszerűen. Ne módosítsa olyan kezelőszervek beállításait, amelyeket a használati útmutatók nem ismertetnek, mivel ennek hatására a készülék megsérülhet, vagy előfordulhat, hogy egy hozzáértő szakember is csak kemény munka árán tudja visszaállítani a készülék rendeltetésszerű működését.
 - E. Ha a készülék leesett, vagy megsérült a burkolata.
 - F. Ha a készülék teljesítménye lényegesen megváltozott, és emiatt javításra szorul.
- ❑ Ha lehet, ne csatlakoztasson más készülékeket ahhoz a konnektorhoz, amelyről a nyomtatót használja.

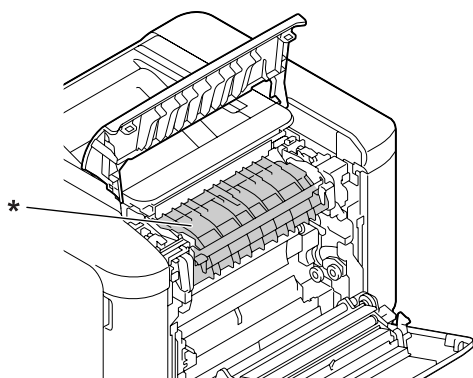
- ❑ Az eszközöket megfelelően földelt fali csatlakozóaljzatba dugja. Ne használjon olyan konnektort, amely gyakran ki- és bekapcsolódó készülékekkel (például fénymásolókkal vagy légkondicionáló rendszerekkel) azonos áramkörön van.
- ❑ Olyan konnektorhoz csatlakoztassa a nyomtatót, amely megfelel az elektromos követelményeknek. A nyomtató elektromos követelményei a készülékre ragasztott címkén olvashatók. Ha nem tudja pontosan, hogy milyen hálózati feszültség érhető el, további információért forduljon a helyi áramszolgáltató vállalathoz vagy a készülék eladójához.
- ❑ Ha hosszabbító kábelt használ, ügyeljen rá, hogy a csatlakoztatott berendezések amperben mért összes áramfelvétele ne haladja meg a hosszabbító vezeték engedélyezett áramerősségét.
- ❑ Ha a terméket számítógéphez vagy más, kábellel rendelkező eszközhöz csatlakoztatja, ügyeljen a csatlakozók helyes irányára. Minden csatlakozó csak egyféleképpen dugható be helyesen. Ha egy csatlakozót rossz irányban dug be, a kábellel összekötött mindkét eszköz megsérülhet.
- ❑ Az opcionális papírkazetta-egység használata esetén ügyeljen az állítópecek megfelelő beszerelésére. Az állítópecek beszerelésére vonatkozó útmutatást a User's Guide tartalmazza.

A nyomtató elhelyezése

- ❑ A nyomtatót helyezze fali konnektor közelébe, hogy a tápkábelt egyszerűen csatlakoztathassa és kihúzhassa.
- ❑ Ne tegye a nyomtót olyan helyre, ahol a tápkábelre ráléphetnek.
- ❑ Ne használja a nyomtatót nedves környezetben.
- ❑ Kerülje az olyan helyeket, amelyek erős napsugárzásnak, magas hőmérsékletnek, nagy páratartalomnak, olajpermetnek vagy pornak vannak kitéve.
- ❑ Ne tegye a nyomtatót instabil felületre.
- ❑ A készülék alján és hátulján lévő nyílások szellőzésre szolgálnak. Ne fedje el azokat. Ne tegye a nyomtatót ágyra, kanapéra, plédre vagy ahhoz hasonló felületre, sem zárt helyre, kivéve, ha a megfelelő légáramlás biztosított.
- ❑ A számítógépet és a nyomtatót is tartsa távol olyan készülékektől, amelyek interferenciát okozhatnak (például hangsugárzóktól és a vezeték nélküli telefonok központi egységétől).
- ❑ A nyomtató körül hagyjon elegendő helyet a megfelelő szellőzéshez.

A nyomtató használata

- ❑ Vigyázzon, nehogy hozzáérjen a beégetőműhöz, amelyen a **CAUTION** felirat olvasható. A beégetőmű környékén is legyen óvatos. A nyomtató használata közben a beégetőmű és a környező részek felforrósodhatnak. Ha mindenképpen meg kell érintenie ezeket a részeket, várjon 40 percet, hogy a készülék lehűljön.



* CAUTION

- ❑ Ne nyúljon bele a beégetőműbe, mert annak egyes részei élesek, és sérülést okozhatnak.
- ❑ A készülék nyílásain keresztül ne toljon be semmilyen tárgyat, mivel veszélyes feszültségű ponthoz érhet hozzá, vagy rövidre zárhat olyan alkatrészeket, amelyek tüzet vagy áramütést okozhatnak.
- ❑ Ne üljön a nyomtatóra és ne is dőljön a nyomtatóra. Ne helyezzen nehéz tárgyakat a nyomtatóra.
- ❑ Ne használjon gyúlékony gázokat a nyomtató környezetében.
- ❑ Ne próbálja meg a nyomtató alkatrészeit erővel a helyükre illeszteni. A nyomtató alapvetően ellenáll a mechanikai hatásoknak, de a durva kezelés kárt okozhat benne.
- ❑ A begyűródött papírlapokat ne hagyja a nyomtató belsejében. Ez a nyomtató túlmelegedéséhez vezethet.
- ❑ Ne öntsön semmilyen folyadékot a nyomtatóba.
- ❑ Ne módosítsa olyan kezelőszervek beállításait, amelyeket a használati útmutatók nem ismertetnek. Ellenkező esetben a készülék megsérülhet, vagy előfordulhat, hogy csak hozzáértő szakember segítségével javítható meg.
- ❑ Ne kapcsolja ki a nyomtatót a következő esetekben:
 - A nyomtató bekapcsolása után várjon, amíg a Ready (Kész) felirat megjelenik az LCD panelen.
 - Nyomtatás során és egyéb műveletek, például az adatok külső eszközökre történő írása közben.

- Ne nyúljon hozzá a nyomtató belsejében lévő alkatrészekhez, kivéve, ha a kézikönyv erre utasítja.
- Tartson be a nyomtatón feltüntetett minden figyelmeztetést és előírást.
- A nyomtató dokumentációjában ismertetett eseteket kivéve ne próbálkozzon a nyomtató megjavításával.
- Rendszeresen húzza ki a csatlakozót a fali aljzattól és tisztítsa meg az érintkezőket.
- Ne húzza ki a csatlakozót, ha a nyomtató egyéb műveletet végez.
- Ha a készüléket hosszabb ideig nem szándékozik használni, akkor húzza ki a csatlakozót a fali aljzattól.
- Tisztítás előtt húzza ki a nyomtatót a fali konnektorból.
- A tisztításhoz használt ruhát jól csavarja ki. Ne használjon folyékony vagy aeroszolos tisztítókat.
- A nyomtatót mozgatás közben mindig függőlegesen tartsák.
- Az elakadt papír eltávolítását nem szabad erőltetve végezni. A leszakadt papírdarabkák nehezen távolíthatók el, és további papírelakadásokat okozhatnak. Húzza ki óvatosan a papírt, ügyeljen arra, hogy ne szakítsa el, ne ejtse le és ne sértse meg magát.
- A dugó lecsatlakoztatásakor ne a tápkábelt húzza. Ügyeljen rá, hogy a lecsatlakoztatás során mindvégig a dugót fogja.
- Ügyeljen a papírlapok kezelésekor arra, hogy a papírszélek nehegy megvágják a bőrét.
- Szállításakor kapcsolja ki a nyomtatót, majd húzza ki tápkábelt az elektromos csatlakozóaljzattól. Mindenképpen csatlakoztassa le az összes kábelt.

A fogyóeszközök kezelése

- Ne égesse el a használt fogyóeszközöket, mert azok felrobbanhatnak, és így balesetet okozhatnak. Ezekről az alkatrészekről a helyi előírásoknak megfelelően szabaduljon meg.
- A fogyóeszközöket gyermekek számára nem elérhető helyen tárolja.
- Ha képalkotó kazettákkal dolgozik, mindig tiszta, sík felületre helyezze őket.
- Ne kísérlelje meg a képalkotó kazetták módosítását vagy szétszedését.
- Ne érjen a festékhez. Mindig ügyeljen rá, hogy ne kerüljön festék a szemébe. Ha festék kerül a bőrére vagy a ruhájára, szappannal és vízzel azonnal mossa le.

- ❑ Ha kiszóródik a festék, söpörje fel, vagy nedves ruhával és szappanos vízzel törölje fel. Ne használjon porszívót, mert az apró részecskék szikrával érintkezve tüzet foghatnak vagy felrobbanhatnak.
- ❑ Ha hideg környezetből melegebbe visz be egy képkalkotó kazettát, a páralecsapódásból származó károsodás elkerülése érdekében várjon legalább egy órát, mielőtt behelyezné a nyomtatóba.
- ❑ A lehető legjobb nyomtatási minőség úgy biztosítható, hogy a képkalkotó kazettát egységet nem tárolja olyan területen, ahol az közvetlen napfény, por, sós levegő vagy korrodáló gázok (például ammónia) hatásának van kitéve. Az olyan helyeket is kerülje, ahol nagymértékben vagy hirtelen változhat a hőmérséklet és a páratartalom.
- ❑ A képkalkotó kazetták eltávolításakor ügyeljen rá, hogy a kazettákat ne érje közvetlen napfény, és öt percnél tovább ne hagyja őket szobai fényben. A képkalkotó kazetta fényérzékeny dobot tartalmaz. Ha ezt fény éri, károsodhat, ami azt eredményezi, hogy a nyomatokon sötét vagy világos területek jelennek meg, és csökken a dob használhatóságának időtartama. Ha hosszabb időre ki kell vennie a kazettát a nyomtatóból, takarja le átlátszatlan ruhával.
- ❑ Ügyeljen rá, hogy ne karcolja meg a dob felszínét. Ha kiveszi a nyomtatóból a kazettát, mindig tiszta, egyenletes felületre helyezze. Ne érjen a dobhoz, mert a bőrről rákerülő zsír maradandó kárt tehet a dobban, ami rontja a nyomtatás minőségét.

Biztonsági tudnivalók

Lézerveszélyre figyelmeztető címkék



Vigyázat!

A nyomtató dokumentációjában szereplő eljárásoktól és módosításoktól eltérő eljárások és módosítások végrehajtása veszélyes sugárzást eredményezhet. Ez a nyomtató 1. osztályú lézertermék, az IEC60825 specifikációkban szereplő meghatározások szerint. A címke azokban az országokban szerepel a nyomtató hátlapján, ahol ezt megkövetelik.



Belső lézersugárzás

A nyomtatófejben láthatatlan lézersugarat kibocsátó Class III b lézervedióda található. A nyomtató fejegysége NEM IGÉNYEL KARBANTARTÁST, emiatt azt semmilyen körülmények között sem szabad felnyitni. A nyomtató belsejében el van helyezve egy, a lézervedzőre vonatkozó további figyelmeztető címke.



Az ózontermelődéssel kapcsolatok biztonsági tudnivalók

Ózonkibocsátás

A lézernyomtatók a nyomtatási folyamat melléktermékeként ózongázt fejlesztenek. Csak nyomtatás közben termelődik ózon.

Megengedett ózonszint

Az Epson lézernyomtató kevesebb mint 3 mg/h mennyiséget termel folyamatos nyomtatás közben.

A kockázat minimalizálása

Az ózonveszély minimalizálása érdekében tartsa be az alábbiakat:

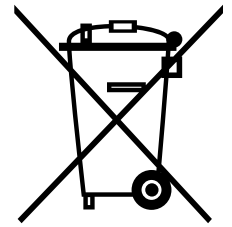
- Ne használjon több lézernyomtatót zárt térben.
- Ne használja a nyomtatót nagyon kis páratartalmú helyiségben.
- Ne használja a nyomtatót rossz szellőzésű helyiségben.
- Ha a fentiek bármelyike fennáll, ne nyomtasson egyszerre sokat.

A nyomtató elhelyezése

A nyomtatót úgy kell elhelyezni, hogy a kibocsátott gázok és a termelt hő:

- ❑ Ne közvetlenül a felhasználó arcába áramoljanak.
- ❑ Ha csak lehetséges, azonnal elhagyják az épületet.

Battery Addendum



English

The crossed out wheeled bin label that can be found on your product indicates that this product and incorporated batteries should not be disposed of via the normal household waste stream. To prevent possible harm to the environment or human health please separate this product and its batteries from other waste streams to ensure that it can be recycled in an environmentally sound manner. For more details on available collection facilities please contact your local government office or the retailer where you purchased this product. Use of the chemical symbols Pb, Cd or Hg indicates if these metals are used in the battery.

Deutsch

Der Aufkleber mit durchgekrenzter Mülltonne an diesem Produkt weist darauf hin, dass dieses Produkt und darin enthaltene Batterien nicht im normalen Hausmüll entsorgt werden dürfen. Zur Vermeidung einer möglichen Beeinträchtigung der Umwelt oder der menschlichen Gesundheit und um zu gewährleisten, dass es in einer umweltverträglichen Weise recycelt wird, darf dieses Produkt mitsamt den Batterien nicht in den Hausmüll gegeben werden. Informationen zu Entsorgungseinrichtungen erhalten Sie bei der zuständigen Behörde oder dem Händler, bei dem Sie dieses Produkt erworben haben. Die Angabe der chemischen Zeichen Pb, Cd oder Hg bedeutet, dass diese Metalle in der Batterie verwendet werden.

Français

L'étiquette apposée sur ce produit et représentant une poubelle barrée indique que le produit et les piles intégrées ne peuvent être mis au rebut avec les déchets domestiques normaux. Afin d'éviter d'éventuels dommages au niveau de l'environnement ou sur la santé, veuillez séparer ce produit et ses piles des autres déchets de manière à garantir qu'ils soient recyclés de manière sûre au niveau environnemental. Pour plus de détails sur les sites de collecte existants, veuillez contacter l'administration locale ou le détaillant auprès duquel vous avez acheté ce produit. Les symboles chimiques Pb, Cd et Hg sont utilisés pour désigner les métaux présents dans les piles.

Italiano

L'etichetta con il contenitore barrato applicata sull'imballo indica che il prodotto e le batterie incluse non devono essere smaltiti tramite la procedura normale di smaltimento dei rifiuti domestici. Per evitare eventuali danni all'ambiente e alla salute umana, separare questo prodotto e le relative batterie da altri rifiuti domestici in modo che possano essere riciclati in base alle procedure di rispetto dell'ambiente. Per maggiori dettagli sulle strutture di raccolta disponibili, contattare l'ufficio competente del proprio comune o il rivenditore del prodotto. L'uso dei simboli chimici Pb, Cd o Hg indica la presenza di tali metalli nelle batterie.

Español

La etiqueta de un contenedor tachado que hallará en su producto indica que este producto y sus pilas no se pueden tirar con la basura doméstica normal. Para impedir posibles daños medioambientales o para la salud, separe este producto y sus pilas de otros canales de desecho para garantizar que se recicle de una forma segura para el medio ambiente. Para más información sobre las instalaciones de recolección disponibles, diríjase a las autoridades locales o al punto de venta donde adquirió este producto. Los símbolos químicos Pb, Cd o Hg indican que las pilas contienen ese metal.

Português

A etiqueta com o símbolo de um contentor de lixo traçado com uma cruz que aparece no produto indica que este produto e as pilhas incluídas não devem ser deitados fora juntamente com o lixo doméstico. Para evitar possíveis danos no ambiente ou na saúde pública, por favor separe este produto e respectivas pilhas de outros lixos; desta forma, terá a certeza de que podem ser reciclados através de métodos não prejudiciais ao ambiente. Para obter mais informações sobre os locais de recolha de lixo disponíveis, contacte a sua junta de freguesia, câmara municipal ou local onde comprou este produto. A utilização dos símbolos químicos Pb, Cd ou Hg indica se estes metais são utilizados na pilha.

Nederlands

Op uw product is een label van een rolcontainer met een kruis erdoor aangebracht. Dit label wil zeggen dat dit product en de batterijen in het product niet bij het normale huishoudelijk afval mogen worden ingezameld. Om eventuele schade aan het milieu of de gezondheid van de mens te voorkomen moeten dit product en de batterijen gescheiden van al het ander afval worden ingezameld, zodat alles op een verantwoorde wijze kan worden verwerkt. Voor meer informatie over uw lokale afvalinzameling wendt u zich tot uw gemeente of de leverancier bij wie u dit product hebt gekocht. Gebruik van de chemische symbolen Pb, Cd of Hg geeft aan of deze metalen worden gebruikt in de batterij.

Dansk

Etiketten med et kryds over skraldespanden på hjul, der sidder på produktet, angiver, at dette produkt og dets batterier ikke må bortskaffes sammen med almindeligt husholdningsaffald. For at beskytte miljø og helbred skal dette produkt og dets batterier bortskaffes separat, så disse dele kan genbruges på en måde, der er god for miljøet. Kontakt de lokale myndigheder eller den forhandler, hos hvem du har købt produktet, vedrørende steder, hvor du kan aflevere produktet. Brugen af de kemiske symboler Pb, Cd eller Hg angiver, om disse metaller er anvendt i batteriet.

Suomi

Laitte on merkitty jäteastia-symbolilla, jonka yli on vedetty rasti. Tämä tarkoittaa, ettei laitetta tai siihen kuuluvia paristoja saa hävittää normaalin talousjätteen mukana. Älä hävitä laitetta tai sen paristoja normaalin jätteen seassa vaan varmista, että laite kierrätetään ympäristöystävällisellä tavalla, jottei ympäristölle tai ihmisille aiheudu vahinkoa. Lisätietoja kierrätyksestä ja keräyspisteistä saa ottamalla yhteyttä paikallisiin viranomaisiin tai jälleenmyyjään, jolta laite ostettiin. Kemiallisten merkien Pb (lyijy), Cd (kadmium) tai Hg (elohopea) käyttö ilmaisee, että paristo sisältää kyseistä metallia.

Svenska

Symbolen med en överkorsad soptunna innebär att denna produkt och tillhörande batterier inte får kastas i vanligt hushållsavfall. För att skydda miljön ska denna produkt och dess batterier inte kastas tillsammans med vanligt hushållsavfall utan lämnas för återvinning på tillbörligt sätt. För mer information om uppsamlingsplatser kontakta din lokala myndighet eller den återförsäljare där du har köpt produkten. De kemiska symbolerna Pb, Cd eller Hg visar om dessa metaller används i batteriet.

Norsk

Etiketten på hjulbeholderen på produktet ditt antyder at produktet og batteriene som hører med, ikke skal avhendes sammen med vanlig husholdningsavfall. Hold produktet og batteriene atskilt fra annet avfall, slik at det kan resirkuleres på en miljømessig og forsvarlig måte og dermed forhindre eventuell skade på miljø eller helse. Kontakt lokale myndigheter, eller din forhandler, for mer informasjon angående avhenting av produktet. De kjemiske symbolene Pb, Cd og Hg antyder om disse metallene har blitt brukt i batteriet.

Česky

Štítek s přeškrtnutým odpadkovým košem na kolečkách, který lze nalézt na výrobku, označuje, že se tento výrobek a přiložené baterie nemají likvidovat s běžným domovním odpadem. V zájmu ochrany životního prostředí a lidského zdraví zlikvidujte tento výrobek a jeho baterie jako tříděný odpad, který se recykluje způsobem šetrným k životnímu prostředí. Podrobnější informace o sběrných dvorech pro tříděný odpad získáte na obecním úřadě nebo u prodejce, u kterého jste tento výrobek zakoupili. Použité chemické značky Pb, Cd nebo Hg označují, zda baterie obsahuje tyto kovy.

Magyar

A terméken található, áthúzott szemetest ábrázoló címke azt jelzi, hogy ezt a terméket és a hozzá tartozó elemeket nem szabad a rendes háztartási szeméttel együtt kidobni. Az esetleges környezeti- vagy egészségkárosodást megelőzendő, kérjük, hogy ezt a terméket és az elemeket a többi szeméttől elkülönítve helyezze el, és biztosítsa, hogy azt környezetbarát módon újrahasznosítsák. A rendelkezésére álló begyűjtő létesítményekről kérjük tájékozódjon a megfelelő helyi állami szerveknél vagy a viszonteladónál, ahol a terméket vásárolta. A Pb, Cd vagy Hg vegyjelek jelzik, ha ilyen fémeket is felhasználtak az elem gyártása során.

Polski

Symbol przekreślonego kosza znajdujący się na produkcie oznacza, że nie można produktu oraz wewnętrzznego akumulatora utylizować razem z normalnymi odpadami z gospodarstwa domowego. Aby zapobiec potencjalnemu zagrożeniu dla środowiska lub zdrowia ludzkiego, produkt oraz wewnętrzny akumulator należy odseparować od reszty odpadów z gospodarstwa domowego i utylizować w ekologicznie właściwy sposób. Szczegółowe informacje na temat punktów zbiórki odpadów można uzyskać w lokalnych urzędach lub u sprzedawcy danego produktu. Symbole chemiczne Pb, Cd lub Hg oznaczają, że metale te zostały zastosowane w akumulatorze.

Slovensky

Štítok s preškrtnutým odpadkovým košom na kolieskach, ktorý je možné nájsť na výrobku, označuje, že tento produkt a obsiahnuté batérie sa nemajú likvidovať s bežným komunálnym odpadom. V záujme ochrany životného prostredia a ľudského zdravia zlikvidujte tento výrobok a batérie ako triedený odpad, ktorý sa recykluje spôsobom šetrným k životnému prostrediu. Podrobnejšie informácie o zberných dvoroch pre triedený odpad získate na obecnom úrade alebo u predajcu, u ktorého ste príslušný výrobok zakúpili. Použitie chemických značiek Pb, Cd alebo Hg znamená, že tieto kovy sú použité v batériách.

Slovenski

Prečrtan koš za smeti na etiketi, katero lahko najdete na vašem izdelku, pomeni, da niti tega izdelka niti njegovih baterij ne smete odvreči podobno kot vse ostale smeti. Da bi preprečili morebitne škodljive vplive na okolje ali zdravje, ločite izdelek in njegove baterije od vseh ostalih odpadkov in poskrbite, da bodo reciklirani na okolju prijazen način. Natančne informacije o tem, kje se nahajajo primerna odlagališča, pridobite v vašem krajevnem uradu ali pri prodajalcu. Kemijski simboli Pb, Cd in Hg označujejo, katere kovine vsebuje baterija.

Eesti

Teie tootele kleebitud tähis, mis kujutab ratastega prügikonteinerit, millele on rist peale tõmmatud, keelab toote ja sellega kaasasolevate patareide kõrvaldamise majapidamisjäätmetega sarnasel viisil. Keskkonnale või inimeste tervisele tekitava võimaliku kahju vältimiseks eraldage toode ja selle patareid teistest jäätmetest, et tagada nende korduvkasutamise keskkonnasäästlikul viisil. Kui soovite saada rohkem teavet võimalike kogumispunktide kohta, võtke ühendust kohaliku omavalituse ametnikuga või teile toote müünud jaemüüjaga. Keemiliste sümbolite Pb, Cd või Hg kasutamise näitab, kas tootes on vastavaid metalle kasutatud.

Lietuviškai

Užbraukta ratuota šiukšliadėžės etiketė, kurią rasite ant jūsų produkto, reiškia, kad šis produktas ir pridedamos baterijos neturėtų būti išmestas kartu su įprastinėmis buitinėmis šiukšlėmis. Siekiant išvengti galimos žalos aplinkai bei žmonių sveikatai, prašome atskirti šį produktą ir pridedamas baterijas nuo kitų atliekų, ir įsitikinti, kad jis būtų perdirbtas aplinkai nepavojingu būdu. Jei reikia išsamesnės informacijos apie atliekų surinkimo ypatumus, prašome kreiptis į savo vietos valdžios įstaigas arba į mažmeninį pardavėją, iš kurio jūs įsigijote šį produktą. Atitinkamų metalų naudojimas baterijose yra pažymėtas cheminiais simboliais Pb, Cd arba Hg ant baterijų.

Latviski

Marķējums ar pārsvītrotu atkritumu tvertni uz ritenīšiem, kas redzams uz izstrādājuma, norāda, ka šo izstrādājumu un tajā iekļautās baterijas nedrīkst likvidēt kopā ar parastajiem sadzīves atkritumiem. Lai novērstu iespējamo kaitējumu videi vai cilvēku veselībai, lūdzu, atdaliet šo izstrādājumu un tā baterijas no citiem atkritumiem, tādējādi nodrošinot tā otrreizējo pārstrādi videi drošā veidā. Papildinformācijai par pieejamajām atkritumu savākšanas iespējām, lūdzu, sazinieties ar vietējo pašvaldību vai mazumtirgotāju, no kura jūs iegādājāties šo izstrādājumu. Ķīmisko simbolu Pb, Cd un Hg izmantošana uz marķējuma nozīmē, ka šie metāli ir izmantoti baterijā.

Ελληνικά

Η διαγραμμένη ετικέτα του τροχοφόρου κάδου απορριμμάτων που θα βρείτε πάνω στο προϊόν σας υποδεικνύει ότι αυτό το προϊόν και οι ενσωματωμένες μπαταρίες δεν πρέπει να απορρίπτεται μέσω του κανονικού δικτύου αποκομιδής οικιακών απορριμμάτων. Για να αποτρέψετε πιθανές επιπτώσεις στο περιβάλλον ή την ατομική υγεία, παρακαλούμε να διαχωρίσετε αυτό το προϊόν και τις μπαταρίες του από άλλα δίκτυα αποκομιδής ώστε να διασφαλίσετε ότι είναι δυνατή η ανακύκλωσή του με έναν περιβαλλοντικά θεμιτό τρόπο. Για περισσότερες πληροφορίες σχετικά με τις διαθέσιμες δυνατότητες συλλογής απορριμμάτων, παρακαλούμε να επικοινωνήσετε με την τοπική κυβερνητική αρχή ή το κατάστημα λιανικής από όπου αγοράσατε αυτό το προϊόν. Η χρήση των χημικών συμβόλων Pb, Cd ή Hg υποδεικνύει εάν χρησιμοποιούνται τα μέταλλα αυτά στην μπαταρία.

Türkçe

Ürününüzün üzerinde bulunan çarpi işaretli tekerlekli kutu etiketi, bu ürünün ve beraberinde gelen pillerin normal ev atık sistemi vasıtasıyla elden çıkarılmaması gerektiğini gösterir. Çevreye ve insan sağlığına zarar vermeyei önlemek için, lütfen bu ürünü ve pillerini çevreye zarar vermeyecek şekilde geri dönüşüme tabi tutulmak üzere diğer atıklardan ayırın. Mevcut toplama tesisleri ile ilgili ayrıntılı bilgi edinmek için, yerel devlet makamlarıyla veya bu ürünü satın aldığınız satıcıyla irtibata geçin. Pb, Cd veya Hg kimyasal sembollerinin kullanılması, bu metallerin pillerin üretiminde kullanılıp kullanılmadığını ifade eder.

Română

Eticheta arătând un coș de gunoi tăiat cu două linii încrucișate, care poate fi găsită pe produs, indică faptul că acesta și bateriile încorporate nu trebuie aruncate la gunoi laolaltă cu gunoiul menajer. Pentru a evita posibila degradare a mediului înconjurător sau a sănătății umane, colectați separat acest produs și bateriile încorporate și nu împuneți cu gunoiul menajer pentru a vă asigura că acestea pot fi reciclate într-un mod ecologic. Pentru mai multe detalii privind punctele disponibile de colectare, contactați autoritățile locale sau comerciantul de la care ați achiziționat acest produs. Utilizarea simbolurilor unor substanțe chimice precum Pb, Cd sau Hg indică faptul că aceste metale sunt utilizate în baterie.

Български

Етикетът, представляващ зачертано кошче за боклук в кръг, който можете да видите върху вашия продукт, означава, че този продукт и батериите към него не трябва да се изхвърлят заедно с обикновените домакински отпадъци. За предпазване от евентуални щети върху околната среда или човешкото здраве, моля, отделете този продукт и батериите му от останалите отпадъци, за да се гарантира, че той ще бъде рециклиран по екологично съобразен начин. За повече информация относно наличните места за събиране на отпадъци, моля, свържете се с местните власти или търговеца, от когото сте закупили този продукт. Химическите символи Pb, Cd и Hg подсочват дали съответните метали са използвани в батерията.

This information only applies to customers in the European Union, according to DIRECTIVE 2006/66/EC OF THE EUROPEAN PARLIAMENT AND OF THE COUNCIL OF 6 September 2006 on batteries and accumulators and waste batteries and accumulators and repealing Directive 91/157/EEC and legislation transposing and implementing it into the various national legal systems.

For other countries, please contact your local government to investigate the possibility of recycling your product.

Instrukcje dotyczące bezpieczeństwa

Ostrzeżenia, przestrogi i uwagi

**Ostrzeżenia**

muszą być przestrzegane, aby uniknąć uszkodzenia ciała.

**Przestrogi**

mają na celu zapobieganie uszkodzeniu sprzętu.

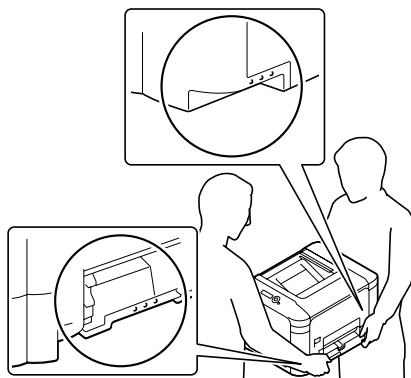
Uwagi

zawierają ważne informacje i pomocne wskazówki dotyczące działania drukarki.

Ważne instrukcje dotyczące bezpieczeństwa

Instalowanie drukarki

- ❑ Drukarka łącznie z zainstalowanymi materiałami eksploatacyjnymi waży około 27 kg, dlatego nie powinna jej podnosić ani przenosić jedna osoba. Drukarkę powinny przenosić dwie osoby, podnosząc ją w odpowiednich miejscach, tak jak pokazano poniżej.



- ❑ Jeśli nie można włożyć wtyczki prądu zmiennego do gniazda elektrycznego, należy skontaktować się z elektrykiem.

- Należy używać tylko przewodu zasilania prądem zmiennym zgodnego z odpowiednimi lokalnymi normami bezpieczeństwa. Należy używać wyłącznie przewodu zasilania dostarczonego z tym urządzeniem. Użycie innego przewodu może spowodować pożar lub porażenie prądem. Przewód zasilania urządzenia jest przeznaczony wyłącznie do użytku z tym urządzeniem. Zastosowanie przewodu z innymi urządzeniami może spowodować pożar lub porażenie prądem.
- W przypadku uszkodzenia wtyczki należy wymienić przewód lub zwrócić się do wykwalifikowanego elektryka. Jeżeli we wtyczce znajdują się bezpieczniki, upewnij się, że wymieniasz je na bezpieczniki o właściwych rozmiarach i danych znamionowych.
- Należy korzystać z uziemionego gniazda zgodnego z wtyczką kabla zasilania drukarki. Nie należy stosować żadnych przejściówek.
- Należy unikać korzystania z gniazd elektrycznych sterowanych przez wyłączniki ścienne lub automatyczne wyłączniki czasowe. Przypadkowa przerwa w zasilaniu może spowodować usunięcie ważnych danych z pamięci komputera i drukarki.
- Należy sprawdzić, czy gniazdo nie jest pokryte kurzem.
- Należy pamiętać, aby wtyczkę wcisnąć do gniazda do końca.
- Nie należy dotykać wtyczki wilgotnymi dłońmi.
- Należy odłączyć drukarkę z gniazda elektrycznego i zlecić naprawę wykwalifikowanemu przedstawicielowi serwisu w następujących przypadkach:
 - A. Gdy przewód zasilania lub wtyczka są uszkodzone lub postrzępione.
 - B. Jeżeli do wnętrza drukarki dostał się płyn.
 - C. Jeżeli drukarka została wystawiona na działanie deszczu lub wody.
 - D. Jeżeli drukarka nie działa prawidłowo pomimo przestrzegania zaleceń podanych w instrukcji obsługi. Należy używać tylko regulatorów opisanych w instrukcjach obsługi, ponieważ niewłaściwie użycie innych regulatorów może spowodować uszkodzenie wymagające dużego nakładu pracy od wykwalifikowanego technika w celu przywrócenia sprawności urządzenia.
 - E. Jeżeli drukarka została upuszczona lub obudowa została uszkodzona.
 - F. Jeżeli zauważalne są wyraźne zmiany w pracy drukarki, wskazujące na konieczność naprawy.
- Nie należy podłączać drukarki do gniazda, do którego podłączono inne urządzenia.

- ❑ Urządzenie należy podłączyć do prawidłowo uziemionego gniazda zasilania. Unikać podłączania do gniazd w tym samym obwodzie, co kserokopiarki lub układy klimatyzacji, które systematycznie włączają się i wyłączają.
- ❑ Drukarkę należy podłączyć do gniazda elektrycznego spełniającego wymagania dotyczące zasilania tej drukarki. Wymagania dotyczące zasilania drukarki są przedstawione na etykiecie dołączonej do drukarki. W przypadku braku pewności co do parametrów zasilania w obszarze, w którym będzie używana drukarka, należy skontaktować się z lokalnym zakładem elektrycznym lub skonsultować się ze sprzedawcą.
- ❑ W przypadku zastosowania przedłużacza należy upewnić się, że suma znamionowego natężenia urządzeń podłączonych do przedłużacza nie przekracza znamionowego natężenia przedłużacza.
- ❑ Podczas podłączania tego urządzenia do komputera lub innego urządzenia za pomocą kabla należy upewnić się, że położenie złącza jest prawidłowe. Każde złącze ma tylko jedno prawidłowe położenie. Włożenie złącza w nieprawidłowym położeniu może uszkodzić oba urządzenia połączone kablem.
- ❑ Jeśli wykorzystywana jest dodatkowa kasetka z papierem, należy prawidłowo zainstalować sworznie pozycjonujące. Instrukcje dotyczące instalowania sworzni pozycjonujących znajdują w User's Guide.

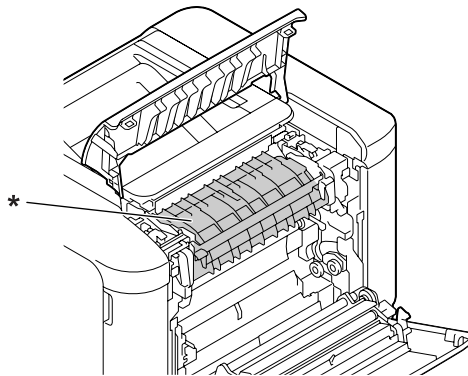
Wybór miejsca na drukarkę

- ❑ Drukarkę należy umieścić w pobliżu gniazda elektrycznego, do którego łatwo można podłączyć i odłączyć przewód zasilania.
- ❑ Nie należy umieszczać drukarki w miejscu, w którym jest możliwe nadepnięcie przewodu zasilania.
- ❑ Nie należy korzystać z drukarki w wilgotnym otoczeniu.
- ❑ Należy unikać lokalizacji, w których drukarka byłaby narażona na działanie bezpośredniego światła słonecznego, wysokich temperatur, wilgoci, par oleju lub kurzu.
- ❑ Nie należy umieszczać drukarki na niestabilnej powierzchni.
- ❑ Szczeliny i otwory w obudowie, z tyłu lub na spodzie drukarki służą do wentylacji. Nie należy ich blokować ani zakrywać. Nie należy umieszczać drukarki na łóżku, kanapie, dywanie lub innej podobnej powierzchni lub wewnątrz zabudowanej konstrukcji, jeżeli nie zapewniono prawidłowej wentylacji.
- ❑ Drukarka i komputer powinny znajdować się z daleka od potencjalnych źródeł zakłóceń, takich jak głośniki czy baza telefonu bezprzewodowego.

- ❑ Dookoła drukarki należy pozostawić odpowiednią ilość miejsca, aby umożliwić prawidłową wentylację.

Użytkowanie drukarki

- ❑ Nie należy dotykać modułu utrwalacza oznaczonego etykietą **CAUTION** ani otaczających go obszarów. Jeśli drukarka była niedawno używana, moduł utrwalacza i otaczające go obszary mogą być bardzo gorące. Jeżeli konieczne jest dotknięcie jednego z tych obszarów, należy odczekać 40 minut, aż temperatura obniży się.



* CAUTION

- ❑ Ponieważ moduł utrwalacza zawiera ostre elementy, które mogą spowodować zranienie, nie należy wkładać do niego rąk.
- ❑ Nie należy wkładać żadnych przedmiotów przez szczeliny obudowy, ponieważ mogłyby to spowodować dotknięcie miejsc pod napięciem lub zwarcie elementów, co może spowodować pożar lub porażenie prądem.
- ❑ Nie należy siadać na drukarce ani opierać się o nią. Nie należy kłaść na drukarce ciężkich przedmiotów.
- ❑ Nie należy używać żadnych gazów palnych w drukarce ani wokół niej.
- ❑ Nigdy nie należy używać siły podczas instalowania elementów drukarki. Chociaż drukarka została zaprojektowana tak, aby zapewnić jej wytrzymałość, obsługiwanie jej na siłę może doprowadzić do uszkodzenia.
- ❑ Wewnątrz drukarki nie należy pozostawiać zakleszczonego papieru. Może to spowodować przegrzanie drukarki.
- ❑ Nigdy nie należy dopuszczać, aby do drukarki dostał się jakikolwiek płyn.

- Należy używać tylko regulatorów opisanych w instrukcjach obsługi. Niewłaściwe użycie innych regulatorów może spowodować uszkodzenie wymagające naprawy przez wykwalifikowanego przedstawiciela serwisu.
- Drukarki nie należy wyłączać:
 - Po włączeniu drukarki należy odczekać, aż na panelu LCD włączy się lampka Gotowość.
 - W czasie drukowania lub podczas innych czynności, takich jak zapisywanie danych na urządzeniach zewnętrznych.
- Należy unikać dotykania składników wewnątrz drukarki, chyba że w tym przewodniku określono inaczej.
- Należy postępować zgodnie ze wszystkimi ostrzeżeniami i instrukcjami oznaczonymi na drukarce.
- Nie należy próbować samodzielnie naprawiać urządzenia, chyba że w dokumentacji drukarki zaznaczono inaczej.
- Okresowo należy wyjąć wtyczkę z gniazda elektrycznego i oczyścić zbieraki.
- Nie należy wyjmować wtyczki z gniazda, gdy drukarka jest włączona.
- Jeśli drukarka nie będzie przez dłuższy czas używana, należy wyjąć wtyczkę z gniazda elektrycznego.
- Przed czyszczeniem należy odłączyć drukarkę z gniazda elektrycznego.
- Do czyszczenia należy używać dobrze wykręconej szmatki. Nie należy używać środków czyszczących w płynie lub w aerozolu.
- Drukarkę należy przenosić w pozycji poziomej.
- Nie należy wyjmować zakleszczonego papieru przy użyciu siły. Podarty papier może być trudny do wyjęcia i może spowodować kolejne zakleszczenia papieru. Wyciągaj papier ostrożnie i równomiernie, aby uniknąć podarcia go, a także przewrócenia się lub zranienia.
- Nie należy wyjmować wtyczki z gniazda ciągnąc za kabel. Zawsze odłączaj kabel od gniazdka trzymając za wtyczkę.
- Nie należy dopuścić, aby krawędzie papieru przesuwwały się po skórze, ponieważ mogą skaleczyć.
- Podczas transportowania drukarki wyłącz ją i odłącz przewód zasilania od gniazdka. Należy pamiętać o odłączeniu wszystkich kabli.

Postępowanie z materiałami eksploatacyjnymi

- Nie należy spalać zużytych materiałów eksploatacyjnych, ponieważ mogą eksplodować i spowodować obrażenia. Należy je zutylizować zgodnie z lokalnymi przepisami.
- Materiały eksploatacyjne należy przechowywać w miejscu niedostępnym dla dzieci.
- Podczas obsługi pojemnika z tonerem i bębniem należy zawsze umieszczać go na czystej, gładkiej powierzchni.
- Pojemnika z tonerem i bębniem nie należy modyfikować ani rozbierać na części.
- Nie należy dotykać tonera. Należy zapobiegać dostaniu się tonera do oczu. W przypadku zabrudzenia tonerem skóry lub ubrania, należy natychmiast zmyć go wodą z mydłem.
- Jeśli toner zostanie rozsypany, należy go usunąć za pomocą szczotki oraz szufelki lub ściereczki zwilżonej wodą z mydłem. Ponieważ drobne cząsteczki mogą być przyczyną pożaru lub wybuchu w przypadku kontaktu z iskrą, nie należy używać odkurzacza.
- Po przeniesieniu z zimnego otoczenia do ciepłego pojemnik z tonerem i bębniem powinien poleżeć przynajmniej godzinę przed użyciem, aby zapobiec uszkodzeniom spowodowanym kondensacją.
- Aby uzyskać najlepszą jakość wydruku, pojemnik z tonerem i bębniem nie powinien być przechowywany w miejscu, w którym byłby narażony na bezpośrednie działanie światła słonecznego, kurzu, zasolonego powietrza lub gazów powodujących korozję, takich jak amoniak. Należy unikać lokalizacji, w których występują duże lub gwałtowne wahania temperatury lub wilgotności.
- W przypadku wyjmowania pojemnika z tonerem nie należy narażać go na działanie promieniowania słonecznego i unikać wystawiania na działanie światła w pomieszczeniu dłużej niż przez pięć minut. Pojemnik z tonerem zawiera także bęben światłoczuły. Narażenie go na działanie światła może spowodować uszkodzenia, widoczne jako ciemne lub jasne obszary na wydrukowanej stronie oraz skrócenie okresu użytkowania bębna. Jeśli istnieje konieczność przechowywania pojemników z tonerem i bębniem poza drukarką przez dłuższy czas, należy owinąć je w nieprzezroczysty materiał.
- Należy uważać, aby nie zadrapać powierzchni bębna. Wyjmując pojemnik z tonerem i bębniem z drukarki, należy zawsze umieszczać go na czystej, gładkiej powierzchni. Należy unikać dotykania bębna, ponieważ pozostawiony tłuszcz może trwale uszkodzić jego powierzchnię i obniżyć jakość wydruku.

Informacje dotyczące bezpieczeństwa

Etykiety dotyczące bezpieczeństwa lasera



Ostrzeżenie:

Wykonywanie czynności i regulacji niewymienionych w instrukcji obsługi drukarki może być przyczyną narażenia na niebezpieczne promieniowanie. Drukarka jest produktem, w którym użyto lasera klasy 1 zgodnie z normą IEC60825. Przedstawiona etykieta znajduje się z tyłu drukarki w przypadku krajów, gdzie jest to wymagane.



Wewnętrzne promieniowanie lasera

W środku modułu głowicy drukującej znajduje się układ diod laserowych klasy III b, który emituje niewidoczny promień lasera. Moduł głowicy drukującej NIE PODLEGA SERWISOWI, dlatego nie należy w żadnym wypadku otwierać tego modułu. Wewnątrz drukarki jest umieszczona dodatkowa etykieta ostrzegawcza dotycząca lasera.



Bezpieczeństwo w zakresie emisji ozonu

Emisja ozonu

Drukarki laserowe wydzielają ozon jako produkt uboczny w procesie drukowania. Ozon produkowany jest jedynie w czasie drukowania.

Ograniczenie wpływu ozonu na otoczenie

Drukarka laserowa Epson wytwarza mniej niż 3 mg/godzinę podczas ciągłego drukowania.

Ograniczenie zagrożenia

Aby ograniczyć do minimum ryzyko narażenia na wpływ ozonu, należy unikać następujących sytuacji:

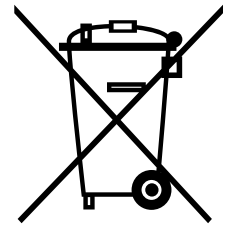
- Korzystanie z kilku drukarek laserowych w zamkniętym pomieszczeniu.
- Działanie w warunkach wyjątkowo niskiej wilgotności.
- Słaba wentylacja pomieszczenia.
- Długotrwałe, ciągłe drukowanie w jakiegokolwiek z powyższych sytuacji.

Umiejscowienie drukarki

Drukarka powinna być ustawiona w miejscu, w którym wytwarzane gazy oraz ciepło podlegają następującym warunkom:

- Nie są wydzielane w kierunku twarzy użytkownika.
- Są bezpośrednio odprowadzane z pomieszczenia najczęściej jak to możliwe.

Battery Addendum



English

The crossed out wheeled bin label that can be found on your product indicates that this product and incorporated batteries should not be disposed of via the normal household waste stream. To prevent possible harm to the environment or human health please separate this product and its batteries from other waste streams to ensure that it can be recycled in an environmentally sound manner. For more details on available collection facilities please contact your local government office or the retailer where you purchased this product. Use of the chemical symbols Pb, Cd or Hg indicates if these metals are used in the battery.

Deutsch

Der Aufkleber mit durchgekrenzter Mülltonne an diesem Produkt weist darauf hin, dass dieses Produkt und darin enthaltene Batterien nicht im normalen Hausmüll entsorgt werden dürfen. Zur Vermeidung einer möglichen Beeinträchtigung der Umwelt oder der menschlichen Gesundheit und um zu gewährleisten, dass es in einer umweltverträglichen Weise recycelt wird, darf dieses Produkt mitsamt den Batterien nicht in den Hausmüll gegeben werden. Informationen zu Entsorgungseinrichtungen erhalten Sie bei der zuständigen Behörde oder dem Händler, bei dem Sie dieses Produkt erworben haben. Die Angabe der chemischen Zeichen Pb, Cd oder Hg bedeutet, dass diese Metalle in der Batterie verwendet werden.

Français

L'étiquette apposée sur ce produit et représentant une poubelle barrée indique que le produit et les piles intégrées ne peuvent être mis au rebut avec les déchets domestiques normaux. Afin d'éviter d'éventuels dommages au niveau de l'environnement ou sur la santé, veuillez séparer ce produit et ses piles des autres déchets de manière à garantir qu'ils soient recyclés de manière sûre au niveau environnemental. Pour plus de détails sur les sites de collecte existants, veuillez contacter l'administration locale ou le détaillant auprès duquel vous avez acheté ce produit. Les symboles chimiques Pb, Cd et Hg sont utilisés pour désigner les métaux présents dans les piles.

Italiano

L'etichetta con il contenitore barrato applicata sull'imballo indica che il prodotto e le batterie incluse non devono essere smaltiti tramite la procedura normale di smaltimento dei rifiuti domestici. Per evitare eventuali danni all'ambiente e alla salute umana, separare questo prodotto e le relative batterie da altri rifiuti domestici in modo che possano essere riciclati in base alle procedure di rispetto dell'ambiente. Per maggiori dettagli sulle strutture di raccolta disponibili, contattare l'ufficio competente del proprio comune o il rivenditore del prodotto. L'uso dei simboli chimici Pb, Cd o Hg indica la presenza di tali metalli nelle batterie.

Español

La etiqueta de un contenedor tachado que hallará en su producto indica que este producto y sus pilas no se pueden tirar con la basura doméstica normal. Para impedir posibles daños medioambientales o para la salud, separe este producto y sus pilas de otros canales de desecho para garantizar que se recicle de una forma segura para el medio ambiente. Para más información sobre las instalaciones de recolección disponibles, diríjase a las autoridades locales o al punto de venta donde adquirió este producto. Los símbolos químicos Pb, Cd o Hg indican que las pilas contienen ese metal.

Português

A etiqueta com o símbolo de um contentor de lixo traçado com uma cruz que aparece no produto indica que este produto e as pilhas incluídas não devem ser deitados fora juntamente com o lixo doméstico. Para evitar possíveis danos no ambiente ou na saúde pública, por favor separe este produto e respectivas pilhas de outros lixos; desta forma, terá a certeza de que podem ser reciclados através de métodos não prejudiciais ao ambiente. Para obter mais informações sobre os locais de recolha de lixo disponíveis, contacte a sua junta de freguesia, câmara municipal ou local onde comprou este produto. A utilização dos símbolos químicos Pb, Cd ou Hg indica se estes metais são utilizados na pilha.

Nederlands

Op uw product is een label van een rolcontainer met een kruis erdoor aangebracht. Dit label wil zeggen dat dit product en de batterijen in het product niet bij het normale huishoudelijk afval mogen worden ingezameld. Om eventuele schade aan het milieu of de gezondheid van de mens te voorkomen moeten dit product en de batterijen gescheiden van al het ander afval worden ingezameld, zodat alles op een verantwoorde wijze kan worden verwerkt. Voor meer informatie over uw lokale afvalinzameling wendt u zich tot uw gemeente of de leverancier bij wie u dit product hebt gekocht. Gebruik van de chemische symbolen Pb, Cd of Hg geeft aan of deze metalen worden gebruikt in de batterij.

Dansk

Etiketten med et kryds over skraldespanden på hjul, der sidder på produktet, angiver, at dette produkt og dets batterier ikke må bortskaffes sammen med almindeligt husholdningsaffald. For at beskytte miljø og helbred skal dette produkt og dets batterier bortskaffes separat, så disse dele kan genbruges på en måde, der er god for miljøet. Kontakt de lokale myndigheder eller den forhandler, hos hvem du har købt produktet, vedrørende steder, hvor du kan aflevere produktet. Brugen af de kemiske symboler Pb, Cd eller Hg angiver, om disse metaller er anvendt i batteriet.

Suomi

Laitte on merkitty jäteastia-symbolilla, jonka yli on vedetty rasti. Tämä tarkoittaa, ettei laitetta tai siihen kuuluvia paristoja saa hävittää normaalin talousjätteen mukana. Älä hävitä laitetta tai sen paristoja normaalin jätteen seassa vaan varmista, että laite kierrätetään ympäristöystävällisellä tavalla, jottei ympäristölle tai ihmisille aiheudu vahinkoa. Lisätietoja kierrätyksestä ja keräyspisteistä saa ottamalla yhteyttä paikallisiin viranomaisiin tai jälleenmyyjään, jolta laite ostettiin. Kemiallisten merkien Pb (lyijy), Cd (kadmium) tai Hg (elohopea) käyttö ilmaisee, että paristo sisältää kyseistä metallia.

Svenska

Symbolen med en överkorsad soptunna innebär att denna produkt och tillhörande batterier inte får kastas i vanligt hushållsavfall. För att skydda miljön ska denna produkt och dess batterier inte kastas tillsammans med vanligt hushållsavfall utan lämnas för återvinning på tillbörligt sätt. För mer information om uppsamlingsplatser kontakta din lokala myndighet eller den återförsäljare där du har köpt produkten. De kemiska symbolerna Pb, Cd eller Hg visar om dessa metaller används i batteriet.

Norsk

Etiketten på hjulbeholderen på produktet ditt antyder at produktet og batteriene som hører med, ikke skal avhendes sammen med vanlig husholdningsavfall. Hold produktet og batteriene atskilt fra annet avfall, slik at det kan resirkuleres på en miljømessig og forsvarlig måte og dermed forhindre eventuell skade på miljø eller helse. Kontakt lokale myndigheter, eller din forhandler, for mer informasjon angående avhenting av produktet. De kjemiske symbolene Pb, Cd og Hg antyder om disse metallene har blitt brukt i batteriet.

Česky

Štítek s přeškrtnutým odpadkovým košem na kolečkách, který lze nalézt na výrobku, označuje, že se tento výrobek a přiložené baterie nemají likvidovat s běžným domovním odpadem. V zájmu ochrany životního prostředí a lidského zdraví zlikvidujte tento výrobek a jeho baterie jako tříděný odpad, který se recykluje způsobem šetrným k životnímu prostředí. Podrobnější informace o sběrných dvorech pro tříděný odpad získáte na obecním úřadě nebo u prodejce, u kterého jste tento výrobek zakoupili. Použité chemické značky Pb, Cd nebo Hg označují, zda baterie obsahuje tyto kovy.

Magyar

A terméken található, áthúzott szemetest ábrázoló címke azt jelzi, hogy ezt a terméket és a hozzá tartozó elemeket nem szabad a rendes háztartási szeméttel együtt kidobni. Az esetleges környezeti- vagy egészségkárosodást megelőzendő, kérjük, hogy ezt a terméket és az elemeket a többi szeméttől elkülönítve helyezze el, és biztosítsa, hogy azt környezetbarát módon újrahasznosítsák. A rendelkezésére álló begyűjtő létesítményekről kérjük tájékozódjon a megfelelő helyi állami szerveknél vagy a viszonteladónál, ahol a terméket vásárolta. A Pb, Cd vagy Hg vegyjelek jelzik, ha ilyen fémeket is felhasználtak az elem gyártása során.

Polski

Symbol przekreślonego kosza znajdujący się na produkcie oznacza, że nie można produktu oraz wewnętrzznego akumulatora utylizować razem z normalnymi odpadami z gospodarstwa domowego. Aby zapobiec potencjalnemu zagrożeniu dla środowiska lub zdrowia ludzkiego, produkt oraz wewnętrzny akumulator należy odseparować od reszty odpadów z gospodarstwa domowego i utylizować w ekologicznie właściwy sposób. Szczegółowe informacje na temat punktów zbiórki odpadów można uzyskać w lokalnych urzędach lub u sprzedawcy danego produktu. Symbole chemiczne Pb, Cd lub Hg oznaczają, że metale te zostały zastosowane w akumulatorze.

Slovensky

Štítok s preškrtnutým odpadkovým košom na kolieskach, ktorý je možné nájsť na výrobku, označuje, že tento produkt a obsiahnuté batérie sa nemajú likvidovať s bežným komunálnym odpadom. V záujme ochrany životného prostredia a ľudského zdravia zlikvidujte tento výrobok a batérie ako triedený odpad, ktorý sa recykluje spôsobom šetrným k životnému prostrediu. Podrobnejšie informácie o zberných dvoroch pre triedený odpad získate na obecnom úrade alebo u predajcu, u ktorého ste príslušný výrobok zakúpili. Použitie chemických značiek Pb, Cd alebo Hg znamená, že tieto kovy sú použité v batériách.

Slovenski

Prečrtan koš za smeti na etiketi, katero lahko najdete na vašem izdelku, pomeni, da niti tega izdelka niti njegovih baterij ne smete odvreči podobno kot vse ostale smeti. Da bi preprečili morebitne škodljive vplive na okolje ali zdravje, ločite izdelek in njegove baterije od vseh ostalih odpadkov in poskrbite, da bodo reciklirani na okolju prijazen način. Natančne informacije o tem, kje se nahajajo primerna odlagališča, pridobite v vašem krajevnem uradu ali pri prodajalcu. Kemijski simboli Pb, Cd in Hg označujejo, katere kovine vsebuje baterija.

Eesti

Teie tootele kleebitud tähis, mis kujutab ratastega prügikonteinerit, millele on rist peale tõmmatud, keelab toote ja sellega kaasasolevate patareide kõrvaldamise majapidamisjäätmetega sarnasel viisil. Keskkonnale või inimeste tervisele tekitava võimaliku kahju vältimiseks eraldage toode ja selle patareid teistest jäätmetest, et tagada nende korduvkasutamise keskkonnasäästlikul viisil. Kui soovite saada rohkem teavet võimalike kogumispunktide kohta, võtke ühendust kohaliku omavalituse ametnikuga või teile toote müünud jaemüüjaga. Keemiliste sümbolite Pb, Cd või Hg kasutamise näitab, kas tootes on vastavaid metalle kasutatud.

Lietuviškai

Užbraukta ratuota šiukšliadėžės etiketė, kurią rasite ant jūsų produkto, reiškia, kad šis produktas ir pridedamos baterijos neturėtų būti išmestas kartu su įprastinėmis buitinėmis šiukšlėmis. Siekiant išvengti galimos žalos aplinkai bei žmonijai sveikatai, prašome atskirti šį produktą ir pridedamas baterijas nuo kitų atliekų, ir įsitikinti, kad jis būtų perdirbtas aplinkai nepavojing būdu. Jei reikia išsamesnės informacijos apie atliekų surinkimo ypatumus, prašome kreiptis į savo vietos valdžios įstaigas arba į mažmeninį pardavėją, iš kurio jūs įsigijote šį produktą. Atitinkamų metalų naudojimas baterijose yra pažymėtas cheminiais simboliais Pb, Cd arba Hg ant baterijų.

Latviski

Marķējums ar pārsvītrotu atkritumu tvertni uz ritenīšiem, kas redzams uz izstrādājuma, norāda, ka šo izstrādājumu un tajā iekļautās baterijas nedrīkst likvidēt kopā ar parastajiem sadzīves atkritumiem. Lai novērstu iespējamo kaitējumu videi vai cilvēku veselībai, lūdzu, atdaliet šo izstrādājumu un tā baterijas no citiem atkritumiem, tādējādi nodrošinot tā otrreizējo pārstrādi videi drošā veidā. Papildinformācijai par pieejamajām atkritumu savākšanas iespējām, lūdzu, sazinieties ar vietējo pašvaldību vai mazumtirgotāju, no kura jūs iegādājāties šo izstrādājumu. Ķīmisko simbolu Pb, Cd un Hg izmantošana uz marķējuma nozīmē, ka šie metāli ir izmantoti baterijā.

Ελληνικά

Η διαγραμμένη ετικέτα του τροχοφόρου κάδου απορριμμάτων που θα βρείτε πάνω στο προϊόν σας υποδεικνύει ότι αυτό το προϊόν και οι ενσωματωμένες μπαταρίες δεν πρέπει να απορρίπτεται μέσω του κανονικού δικτύου αποκομιδής οικιακών απορριμμάτων. Για να αποτρέψετε πιθανές επιπτώσεις στο περιβάλλον ή την ατομική υγεία, παρακαλούμε να διαχωρίσετε αυτό το προϊόν και τις μπαταρίες του από άλλα δίκτυα αποκομιδής ώστε να διασφαλίσετε ότι είναι δυνατή η ανακύκλωσή του με έναν περιβαλλοντικά θεμιτό τρόπο. Για περισσότερες πληροφορίες σχετικά με τις διαθέσιμες δυνατότητες συλλογής απορριμμάτων, παρακαλούμε να επικοινωνήσετε με την τοπική κυβερνητική αρχή ή το κατάστημα λιανικής από όπου αγοράσατε αυτό το προϊόν. Η χρήση των χημικών συμβόλων Pb, Cd ή Hg υποδεικνύει εάν χρησιμοποιούνται τα μέταλλα αυτά στην μπαταρία.

Türkçe

Ürününüzün üzerinde bulunan çarpi işaretli tekerlekli kutu etiketi, bu ürünün ve beraberinde gelen pillerin normal ev atık sistemi vasıtasıyla elden çıkarılmaması gerektiğini gösterir. Çevreye ve insan sağlığına zarar vermeyei önlemek için, lütfen bu ürünü ve pillerini çevreye zarar vermeyecek şekilde geri dönüşüme tabi tutulmak üzere diğer atıklardan ayırın. Mevcut toplama tesisleri ile ilgili ayrıntılı bilgi edinmek için, yerel devlet makamlarıyla veya bu ürünü satın aldığınız satıcıyla irtibata geçin. Pb, Cd veya Hg kimyasal sembollerinin kullanılması, bu metallerin pillerin üretiminde kullanılıp kullanılmadığını ifade eder.

Română

Eticheta arătând un coș de gunoi tăiat cu două linii încrucișate, care poate fi găsită pe produs, indică faptul că acesta și bateriile încorporate nu trebuie aruncate la gunoi laolaltă cu gunoiul menajer. Pentru a evita posibila degradare a mediului înconjurător sau a sănătății umane, colectați separat acest produs și bateriile încorporate și nu împuneți cu gunoiul menajer pentru a vă asigura că acestea pot fi reciclate într-un mod ecologic. Pentru mai multe detalii privind punctele disponibile de colectare, contactați autoritățile locale sau comerciantul de la care ați achiziționat acest produs. Utilizarea simbolurilor unor substanțe chimice precum Pb, Cd sau Hg indică faptul că aceste metale sunt utilizate în baterie.

Български

Етикетът, представляващ зачертано кошче за боклук в кръг, който можете да видите върху вашия продукт, означава, че този продукт и батериите към него не трябва да се изхвърлят заедно с обикновените домакински отпадъци. За предпазване от евентуални щети върху околната среда или човешкото здраве, моля, отделете този продукт и батериите му от останалите отпадъци, за да се гарантира, че той ще бъде рециклиран по екологично съобразен начин. За повече информация относно наличните места за събиране на отпадъци, моля, свържете се с местните власти или търговеца, от когото сте закупили този продукт. Химическите символи Pb, Cd и Hg посочват дали съответните метали са използвани в батерията.

This information only applies to customers in the European Union, according to DIRECTIVE 2006/66/EC OF THE EUROPEAN PARLIAMENT AND OF THE COUNCIL OF 6 September 2006 on batteries and accumulators and waste batteries and accumulators and repealing Directive 91/157/EEC and legislation transposing and implementing it into the various national legal systems.

For other countries, please contact your local government to investigate the possibility of recycling your product.

Instrucțiuni de protecție

Avertismente, atenționări și note

**Avertismente**

trebuie respectate cu atenție, pentru a evita leziunile corporale.

**Atenționări**

trebuie avute în vedere pentru a evita deteriorările echipamentului dumneavoastră.

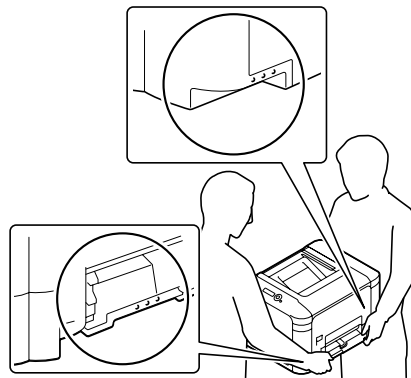
Note

conțin informații importante și sugestii utile pentru utilizarea imprimantei dumneavoastră.

Instrucțiuni de protecție importante

Configurarea imprimantei

- ❑ Pentru că imprimanta cântărește aproximativ 27 kg cu produsele consumabilele instalate, aceasta nu va fi ridicată sau transportată de către o singură persoană. Imprimanta trebuie transportată de două persoane, care să o ridice din pozițiile corecte, așa cum este arătat mai jos.



- ❑ Dacă nu puteți introduce fișa de c.a în priza electrică, contactați un electrician.

- Cablul de alimentare în c.a. trebuie să corespundă standardelor locale relevante de siguranță. Folosiți numai cablul de alimentare care este atașat acestui produs. Utilizarea unui alt cablu poate avea ca rezultat incendii sau electrocutări. Cablul de alimentare al acestui produs este destinat în exclusivitate utilizării cu acest produs. Utilizarea cablului cu alte echipamente poate avea ca rezultat incendii sau electrocutări.
- Dacă fișa a suferit deteriorări, înlocuiți cablul sau consultați un electrician calificat. Dacă fișa conține siguranțe, aveți grijă să le înlocuiți cu siguranțe de dimensiunea și curentul nominal adecvate.
- Folosiți o priză legată la pământ, corespunzătoare fișei de alimentare a imprimantei. Nu folosiți o fișă adaptor.
- Evitați utilizarea unei prize electrice care este controlată de comutatoare de perete sau de temporizatoare automate. Căderile accidentale de tensiune pot determina ștergerea unor informații valoroase din memoria calculatorului și a imprimantei dumneavoastră.
- Asigurați-vă că pe mufă nu este praf.
- Aveți grijă să introduceți complet ștecherul în priza de curent.
- Nu manipulați ștecherul cu mâinile ude.
- Deconectați această imprimantă de la priza de perete și încredințați operațiile de service unui reprezentant de service autorizat, în următoarele condiții:
 - A. Când cablul de alimentare sau fișa este deteriorat(ă) sau uzat(ă).
 - B. Dacă s-a vărsat lichid pe componenta respectivă.
 - C. Dacă a fost expus la precipitații sau apă.
 - D. Dacă nu funcționează în condiții normale atunci când se respectă instrucțiunile de utilizare. Reglați numai acele elemente de control care sunt prevăzute în instrucțiunile de utilizare, deoarece reglarea inadecvată a altor elemente de control poate avea ca rezultat deteriorări și va necesita deseori operații ample de reparații, efectuate de un tehnician autorizat, pentru readucerea produsului în stare normală de funcționare.
 - E. Dacă a fost lăsat să cadă sau în cazul în care carcasa a suferit deteriorări.
 - F. Dacă prezintă modificări vizibile de performanță, indicând necesitatea executării unor operații de service.
- Evitați să folosiți prize în comun cu alte echipamente.

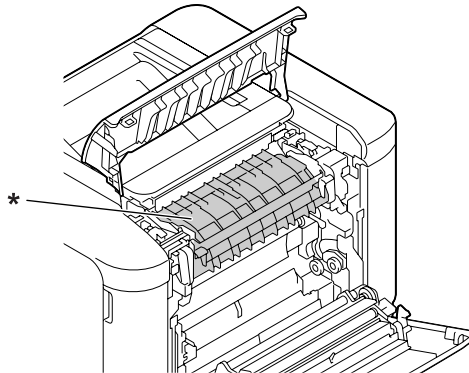
- ❑ Conectați toate echipamentele la prize de alimentare cu o legare la pământ adecvată. Evitați să folosiți prize situate pe același circuit cu fotocopiatoare sau sisteme de control al aerisirii, care sunt pornite și oprite cu regularitate.
- ❑ Conectați imprimanta la o priză care îndeplinește cerințele de alimentare ale acestei imprimante. Cerințele de alimentare ale imprimantei dumneavoastră sunt indicate pe o etichetă atașată la imprimantă. Dacă nu sunteți sigur cu privire la specificațiile legate de sursa de alimentare din zona dumneavoastră, contactați compania locală de electricitate sau consultați-vă distribuitorul.
- ❑ Dacă folosiți un cablu prelungitor, aveți grijă ca suma curenților nominali înscriși pe produsele conectate la cablul prelungitor să nu depășească valoarea curentului nominal al cablului.
- ❑ Când conectați acest produs la un calculator sau la alt dispozitiv cu ajutorul unui cablu, verificați orientarea adecvată a conectorilor. Fiecare conector are o singură orientare corectă. Introducerea unui conector folosind o orientare eronată poate deteriora ambele dispozitive conectate prin intermediul cablului.
- ❑ Când folosiți o unitate opțională de casetă pentru hârtie, asigurați-vă că ați instalat în mod corect știfturile de poziționare. Pentru instrucțiuni cu privire la poziționarea știfturilor de poziționare, consultați User's Guide.

Identificarea locației pentru amplasarea imprimantei

- ❑ Așezați imprimanta în apropierea unei prize electrice, unde puteți introduce și de unde puteți extrage cu ușurință cablul de alimentare.
- ❑ Nu așezați imprimanta într-o locație unde se poate călca pe cablul de alimentare.
- ❑ Nu folosiți imprimanta într-un mediu umed.
- ❑ Evitați locațiile expuse la lumină solară directă, căldură excesivă, umezeală, vapori de ulei sau praf.
- ❑ Nu așezați imprimanta pe o suprafață instabilă.
- ❑ Fantele și deschiderile din carcasă și cele amplasate în partea din spate sau la baza imprimantei sunt prevăzute pentru ventilație. Nu le blocați și nu le acoperiți. Nu așezați imprimanta pe un pat, pe canapea, pe covor sau pe alte suprafețe similare sau într-o instalație încorporată, dacă nu este asigurată o aerisire adecvată.
- ❑ Țineți calculatorul și imprimanta la distanță de potențiale surse de interferență, precum difuzoare sau unități de bază ale telefoanelor fără fir.
- ❑ Lăsați un spațiu suficient în jurul imprimantei pentru a permite o ventilație suficientă.

Utilizarea imprimantei

- ❑ Atenție să nu atingeți cuptorul, care poartă marcajul **CAUTION**, și nici zonele limitrofe acestuia. Dacă imprimanta a fost utilizată, cuptorul și zonele limitrofe acestuia pot fi foarte fierbinți. Dacă trebuie să atingeți una din aceste porțiuni, așteptați 40 de minute pentru a permite reducerea căldurii înainte de a proceda astfel.



* CAUTION

- ❑ Nu introduceți mâna adânc în unitatea cuptor, deoarece unele componente sunt ascuțite și pot cauza leziuni.
- ❑ Nu introduceți niciodată obiecte, indiferent de genul acestora, în fantele carcasei, deoarece pot atinge puncte sau piese aflate sub o tensiune periculoasă, ceea ce poate avea ca rezultat un pericol de incendiu sau de electrocutare.
- ❑ Nu lăsați hârtia să stea sau să atârne pe imprimantă. Nu așezați obiecte grele pe imprimantă.
- ❑ Nu folosiți nici un tip de gaze combustibile în sau în jurul imprimantei.
- ❑ Nu montați niciodată forțat componentele imprimantei. Deși imprimanta este proiectată pentru a fi robustă, o manipulare brutală o poate deteriora.
- ❑ Nu lăsați hârtia blocată în interiorul imprimantei. Aceasta poate determina supraîncălzirea imprimantei.
- ❑ Nu vărsați niciodată lichide pe imprimantă, indiferent de natura acestora.
- ❑ Reglați numai acele elemente de control prezentate în instrucțiunile de utilizare. Reglarea inadecvată a altor elemente de control poate avea ca rezultat deteriorări și poate necesita efectuarea de reparații de către un reprezentant de service autorizat.

- Nu opriți imprimanta:
 - După pornirea imprimantei, așteptați până când indicatorul Ready apare pe panoul cu cristale lichide.
 - În timp ce imprimați sau pe parcursul altor operațiuni, cum ar fi scrierea de date pe dispozitive externe.
- Evitați atingerea componentelor din interiorul imprimantei, cu excepția situațiilor în care în manualul de față vi se indică să procedați astfel.
- Urmați toate avertismentele și instrucțiunile marcate pe imprimantă.
- Cu excepția situațiilor clar explicate în documentația imprimantei, nu încercați să reparați personal acest produs.
- Periodic, deconectați ștecherul din priza electrică și curățați piciorușele.
- Nu deconectați ștecherul dacă imprimanta este pornită.
- Dacă nu veți utiliza imprimanta o perioadă îndelungată, scoateți ștecherul din priză.
- Decuplați această imprimantă de la priza de perete înainte de a o curăța.
- Folosiți o lavetă bine stoarsă pentru curățare și nu utilizați soluții de curățare lichide sau pe bază de aerosoli.
- Când mutați imprimanta, mențineți-o întotdeauna în poziție originală.
- Nu extrageți hârtia blocată cu forța. Hârtia ruptă poate fi dificil de extras și poate cauza alte blocaje ale hârtiei. Trageți cu atenție și uniform de hârtie pentru a nu o rupe, pentru a nu cădea și pentru a nu vă accidenta.
- Nu trageți de cablul de alimentare când scoateți ștecherul din priză. Întotdeauna prindeți ștecherul când scoateți cablul din priză.
- Nu lăsați marginea hârtiei să alunece de-a lungul pielii dumneavoastră, vă puteți tăia cu marginea hârtiei.
- Când transportați imprimanta, opriți-o mai întâi și decuplați cablul de alimentare de la priza electrică. Nu uitați să decuplați toate cablurile.

Manipularea consumabilelor

- Nu ardeți consumabilele, deoarece acestea pot exploda și pot răni pe cineva. Debarasați-vă de acestea în conformitate cu reglementările locale.
- Aveți grijă să nu lăsați componentele consumabile la îndemâna copiilor.

- ❑ Când manipulați un cartuș pentru imagini, așezați-l întotdeauna pe o suprafață curată și uniformă.
- ❑ Nu încercați să modificați sau să demontați un cartuș pentru imagini.
- ❑ Nu atingeți tonerul. Feriți-vă ochii de toner. Dacă tonerul ajunge pe piele sau pe haine, îndepărtați-l imediat prin spălare cu apă și săpun.
- ❑ În cazul vărsării de toner, folosiți pentru curățare o mătură și un fâraș sau o lavetă umedă, cu apă și săpun. Deoarece particulele fine pot provoca incendii sau explozii dacă intră în contact cu o scânteie, nu folosiți aspiratorul.
- ❑ Așteptați cel puțin o oră înainte de a folosi un cartuș pentru imagini după mutarea acestuia dintr-un mediu rece într-un mediu cald, pentru a preveni pagubele produse în urma condensului.
- ❑ Pentru a obține o calitate optimă a imprimării, nu depozitați cartușul pentru imagini într-o zonă aflată sub acțiunea directă a luminii solare, prafului, aerului sărat sau gazelor corozive (precum amoniacul). Evitați locațiile supuse la modificări drastice sau rapide de temperatură sau umiditate.
- ❑ Când demontați cartușul pentru imagini, nu îl expuneți deloc la lumina solară și evitați expunerea acestuia la lumina artificială pentru mai mult de cinci minute. Cartușul pentru imagini conține un tambur sensibil la lumină. Expunerea la lumină poate deteriora tamburul, determinând apariția de porțiuni luminoase sau întunecate pe pagina imprimată și reducând durata de utilizare a tamburului. Dacă trebuie să lăsați un timp îndelungat cartușul pentru imagini în afara imprimantei, acoperiți-l cu o lavetă opacă.
- ❑ Aveți grijă să nu zgâriați suprafața tamburului. Când extrageți cartușul pentru imagini din imprimantă, așezați-l întotdeauna pe o suprafață curată și uniformă. Evitați atingerea tamburului, deoarece uleiul din pielea dumneavoastră poate deteriora iremediabil suprafața acestuia și afecta calitatea imprimării.

Informații de protecție

Etichete de siguranță pentru utilizarea laserului



Avertisment:

Efectuarea de proceduri și reglaje altele decât cele specificate în documentația imprimantei pot avea ca rezultat o expunere periculoasă la radiații. Imprimanta dumneavoastră este un produs laser din Clasa 1, conform definiției din specificațiile IEC60825. Eticheta prezentată este atașată la partea din spate a imprimantei, în țările unde acest lucru este necesar.



Radiații laser interne

Acesta este un ansamblu cu diodă laser de clasă III b, iar în interiorul unității capului de imprimare este inclusă o rază laser invizibilă. Unitatea capului de imprimare NU ESTE UN ARTICOL DE SERVICE, motiv pentru care unitatea capului de imprimare nu trebuie deschisă în nicio situație. O etichetă suplimentare de avertizare laser este aplicată pe partea interioară a imprimantei.



Protecția stratului de ozon

Emisii de ozon

Ozonul gazos este generat de imprimantele laser ca un produs secundar al procesului de imprimare. Ozonul este generat numai când imprimanta este în proces de imprimare.

Limită de expunere la ozon

Imprimanta cu laser Epson generează mai puțin de 3 mg/h în imprimare continuă.

Minimizarea riscului

Pentru a reduce la minimum riscul de expunere la ozon, trebuie să evitați următoarele situații:

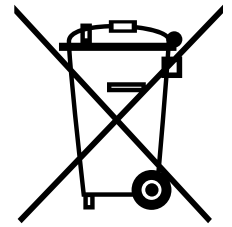
- Utilizarea mai multor imprimante laser într-o zonă închisă
- Exploatarea în condiții de umiditate extrem de redusă
- Aerisire redusă a camerei
- Imprimare prelungită și continuă, în oricare dintre condițiile de mai sus

Amplasarea imprimantei

Imprimanta trebuie astfel amplasată încât gazele de evacuare și căldura generată:

- Să nu fie expulzate direct în fața utilizatorului
- Să fie evacuate direct în afara clădirii, ori de câte ori este posibil

Battery Addendum



English

The crossed out wheeled bin label that can be found on your product indicates that this product and incorporated batteries should not be disposed of via the normal household waste stream. To prevent possible harm to the environment or human health please separate this product and its batteries from other waste streams to ensure that it can be recycled in an environmentally sound manner. For more details on available collection facilities please contact your local government office or the retailer where you purchased this product. Use of the chemical symbols Pb, Cd or Hg indicates if these metals are used in the battery.

Deutsch

Der Aufkleber mit durchgekrenzter Mülltonne an diesem Produkt weist darauf hin, dass dieses Produkt und darin enthaltene Batterien nicht im normalen Hausmüll entsorgt werden dürfen. Zur Vermeidung einer möglichen Beeinträchtigung der Umwelt oder der menschlichen Gesundheit und um zu gewährleisten, dass es in einer umweltverträglichen Weise recycelt wird, darf dieses Produkt mitsamt den Batterien nicht in den Hausmüll gegeben werden. Informationen zu Entsorgungseinrichtungen erhalten Sie bei der zuständigen Behörde oder dem Händler, bei dem Sie dieses Produkt erworben haben. Die Angabe der chemischen Zeichen Pb, Cd oder Hg bedeutet, dass diese Metalle in der Batterie verwendet werden.

Français

L'étiquette apposée sur ce produit et représentant une poubelle barrée indique que le produit et les piles intégrées ne peuvent être mis au rebut avec les déchets domestiques normaux. Afin d'éviter d'éventuels dommages au niveau de l'environnement ou sur la santé, veuillez séparer ce produit et ses piles des autres déchets de manière à garantir qu'ils soient recyclés de manière sûre au niveau environnemental. Pour plus de détails sur les sites de collecte existants, veuillez contacter l'administration locale ou le détaillant auprès duquel vous avez acheté ce produit. Les symboles chimiques Pb, Cd et Hg sont utilisés pour désigner les métaux présents dans les piles.

Italiano

L'etichetta con il contenitore barrato applicata sull'imballo indica che il prodotto e le batterie incluse non devono essere smaltiti tramite la procedura normale di smaltimento dei rifiuti domestici. Per evitare eventuali danni all'ambiente e alla salute umana, separare questo prodotto e le relative batterie da altri rifiuti domestici in modo che possano essere riciclati in base alle procedure di rispetto dell'ambiente. Per maggiori dettagli sulle strutture di raccolta disponibili, contattare l'ufficio competente del proprio comune o il rivenditore del prodotto. L'uso dei simboli chimici Pb, Cd o Hg indica la presenza di tali metalli nelle batterie.

Español

La etiqueta de un contenedor tachado que hallará en su producto indica que este producto y sus pilas no se pueden tirar con la basura doméstica normal. Para impedir posibles daños medioambientales o para la salud, separe este producto y sus pilas de otros canales de desecho para garantizar que se recicle de una forma segura para el medio ambiente. Para más información sobre las instalaciones de recolección disponibles, diríjase a las autoridades locales o al punto de venta donde adquirió este producto. Los símbolos químicos Pb, Cd o Hg indican que las pilas contienen ese metal.

Português

A etiqueta com o símbolo de um contentor de lixo traçado com uma cruz que aparece no produto indica que este produto e as pilhas incluídas não devem ser deitados fora juntamente com o lixo doméstico. Para evitar possíveis danos no ambiente ou na saúde pública, por favor separe este produto e respectivas pilhas de outros lixos; desta forma, terá a certeza de que podem ser reciclados através de métodos não prejudiciais ao ambiente. Para obter mais informações sobre os locais de recolha de lixo disponíveis, contacte a sua junta de freguesia, câmara municipal ou local onde comprou este produto. A utilização dos símbolos químicos Pb, Cd ou Hg indica se estes metais são utilizados na pilha.

Nederlands

Op uw product is een label van een rolcontainer met een kruis erdoor aangebracht. Dit label wil zeggen dat dit product en de batterijen in het product niet bij het normale huishoudelijk afval mogen worden ingezameld. Om eventuele schade aan het milieu of de gezondheid van de mens te voorkomen moeten dit product en de batterijen gescheiden van al het ander afval worden ingezameld, zodat alles op een verantwoorde wijze kan worden verwerkt. Voor meer informatie over uw lokale afvalinzameling wendt u zich tot uw gemeente of de leverancier bij wie u dit product hebt gekocht. Gebruik van de chemische symbolen Pb, Cd of Hg geeft aan of deze metalen worden gebruikt in de batterij.

Dansk

Etiketten med et kryds over skraldespanden på hjul, der sidder på produktet, angiver, at dette produkt og dets batterier ikke må bortskaffes sammen med almindeligt husholdningsaffald. For at beskytte miljø og helbred skal dette produkt og dets batterier bortskaffes separat, så disse dele kan genbruges på en måde, der er god for miljøet. Kontakt de lokale myndigheder eller den forhandler, hos hvem du har købt produktet, vedrørende steder, hvor du kan aflevere produktet. Brugen af de kemiske symboler Pb, Cd eller Hg angiver, om disse metaller er anvendt i batteriet.

Suomi

Laitte on merkitty jäteastia-symbolilla, jonka yli on vedetty rasti. Tämä tarkoittaa, ettei laitetta tai siihen kuuluvia paristoja saa hävittää normaalin talousjätteen mukana. Älä hävitä laitetta tai sen paristoja normaalin jätteen seassa vaan varmista, että laite kierrätetään ympäristöystävällisellä tavalla, jottei ympäristölle tai ihmisille aiheudu vahinkoa. Lisätietoja kierrätyksestä ja keräyspisteistä saa ottamalla yhteyttä paikallisiin viranomaisiin tai jälleenmyyjään, jolta laite ostettiin. Kemiallisten merkien Pb (lyijy), Cd (kadmium) tai Hg (elohopea) käyttö ilmaisee, että paristo sisältää kyseistä metallia.

Svenska

Symbolen med en överkorsad soptunna innebär att denna produkt och tillhörande batterier inte får kastas i vanligt hushållsavfall. För att skydda miljön ska denna produkt och dess batterier inte kastas tillsammans med vanligt hushållsavfall utan lämnas för återvinning på tillbörligt sätt. För mer information om uppsamlingsplatser kontakta din lokala myndighet eller den återförsäljare där du har köpt produkten. De kemiska symbolerna Pb, Cd eller Hg visar om dessa metaller används i batteriet.

Norsk

Etiketten på hjulbeholderen på produktet ditt antyder at produktet og batteriene som hører med, ikke skal avhendes sammen med vanlig husholdningsavfall. Hold produktet og batteriene atskilt fra annet avfall, slik at det kan resirkuleres på en miljømessig og forsvarlig måte og dermed forhindre eventuell skade på miljø eller helse. Kontakt lokale myndigheter, eller din forhandler, for mer informasjon angående avhenting av produktet. De kjemiske symbolene Pb, Cd og Hg antyder om disse metallene har blitt brukt i batteriet.

Česky

Štítek s přeškrtnutým odpadkovým košem na kolečkách, který lze nalézt na výrobku, označuje, že se tento výrobek a přiložené baterie nemají likvidovat s běžným domovním odpadem. V zájmu ochrany životního prostředí a lidského zdraví zlikvidujte tento výrobek a jeho baterie jako tříděný odpad, který se recykluje způsobem šetrným k životnímu prostředí. Podrobnější informace o sběrných dvorech pro tříděný odpad získáte na obecním úřadě nebo u prodejce, u kterého jste tento výrobek zakoupili. Použité chemické značky Pb, Cd nebo Hg označují, zda baterie obsahuje tyto kovy.

Magyar

A terméken található, áthúzott szemetest ábrázoló címke azt jelzi, hogy ezt a terméket és a hozzá tartozó elemeket nem szabad a rendes háztartási szeméttel együtt kidobni. Az esetleges környezeti- vagy egészségkárosodást megelőzendő, kérjük, hogy ezt a terméket és az elemeket a többi szeméttől elkülönítve helyezze el, és biztosítsa, hogy azt környezetbarát módon újrahasznosítsák. A rendelkezésére álló begyűjtő létesítményekről kérjük tájékozódjon a megfelelő helyi állami szerveknél vagy a viszonteladónál, ahol a terméket vásárolta. A Pb, Cd vagy Hg vegyjelek jelzik, ha ilyen fémeket is felhasználtak az elem gyártása során.

Polski

Symbol przekreślonego kosza znajdujący się na produkcie oznacza, że nie można produktu oraz wewnętrzznego akumulatora utylizować razem z normalnymi odpadami z gospodarstwa domowego. Aby zapobiec potencjalnemu zagrożeniu dla środowiska lub zdrowia ludzkiego, produkt oraz wewnętrzny akumulator należy odseparować od reszty odpadów z gospodarstwa domowego i utylizować w ekologicznie właściwy sposób. Szczegółowe informacje na temat punktów zbiórki odpadów można uzyskać w lokalnych urzędach lub u sprzedawcy danego produktu. Symbole chemiczne Pb, Cd lub Hg oznaczają, że metale te zostały zastosowane w akumulatorze.

Slovensky

Štítok s preškrtnutým odpadkovým košom na kolieskach, ktorý je možné nájsť na výrobku, označuje, že tento produkt a obsiahnuté batérie sa nemajú likvidovať s bežným komunálnym odpadom. V záujme ochrany životného prostredia a ľudského zdravia zlikvidujte tento výrobok a batérie ako triedený odpad, ktorý sa recykluje spôsobom šetrným k životnému prostrediu. Podrobnejšie informácie o zberných dvoroch pre triedený odpad získate na obecnom úrade alebo u predajcu, u ktorého ste príslušný výrobok zakúpili. Použitie chemických značiek Pb, Cd alebo Hg znamená, že tieto kovy sú použité v batériách.

Slovenski

Prečrtan koš za smeti na etiketi, katero lahko najdete na vašem izdelku, pomeni, da niti tega izdelka niti njegovih baterij ne smete odvreči podobno kot vse ostale smeti. Da bi preprečili morebitne škodljive vplive na okolje ali zdravje, ločite izdelek in njegove baterije od vseh ostalih odpadkov in poskrbite, da bodo reciklirani na okolju prijazen način. Natančne informacije o tem, kje se nahajajo primerna odlagališča, pridobite v vašem krajevnem uradu ali pri prodajalcu. Kemijski simboli Pb, Cd in Hg označujejo, katere kovine vsebuje baterija.

Eesti

Teie tootele kleebitud tähis, mis kujutab ratastega prügikonteinerit, millele on rist peale tõmmatud, keelab toote ja sellega kaasasolevate patareide kõrvaldamise majapidamisjäätmetega sarnasel viisil. Keskkonnale või inimeste tervisele tekitava võimaliku kahju vältimiseks eraldage toode ja selle patareid teistest jäätmetest, et tagada nende korduvkasutamise keskkonnasäästlikul viisil. Kui soovite saada rohkem teavet võimalike kogumispunktide kohta, võtke ühendust kohaliku omavalituse ametnikuga või teile toote müünud jaemüüjaga. Keemiliste sümbolite Pb, Cd või Hg kasutamise näitab, kas tootes on vastavaid metalle kasutatud.

Lietuviškai

Užbraukta ratuota šiukšliadėžės etiketė, kurią rasite ant jūsų produkto, reiškia, kad šis produktas ir pridedamos baterijos neturėtų būti išmestas kartu su įprastinėmis buitinėmis šiukšlėmis. Siekiant išvengti galiamos žalos aplinkai bei žmonių sveikatai, prašome atskirti šį produktą ir pridedamas baterijas nuo kitų atliekų, ir įsitikinti, kad jis būtų perdirbtas aplinkai nepavojingu būdu. Jei reikia išsamesnės informacijos apie atliekų surinkimo ypatumus, prašome kreiptis į savo vietos valdžios įstaigas arba į mažmeninį pardavėją, iš kurio jūs įsigijote šį produktą. Atitinkamų metalų naudojimas baterijose yra pažymėtas cheminiais simboliais Pb, Cd arba Hg ant baterijų.

Latviski

Marķējums ar pārsvītrotu atkritumu tvertni uz ritenīšiem, kas redzams uz izstrādājuma, norāda, ka šo izstrādājumu un tajā iekļautās baterijas nedrīkst likvidēt kopā ar parastajiem sadzīves atkritumiem. Lai novērstu iespējamo kaitējumu videi vai cilvēku veselībai, lūdzu, atdaliet šo izstrādājumu un tā baterijas no citiem atkritumiem, tādējādi nodrošinot tā otrreizējo pārstrādi videi drošā veidā. Papildinformācijai par pieejamajām atkritumu savākšanas iespējām, lūdzu, sazinieties ar vietējo pašvaldību vai mazumtirgotāju, no kura jūs iegādājāties šo izstrādājumu. Ķīmisko simbolu Pb, Cd un Hg izmantošana uz marķējuma nozīmē, ka šie metāli ir izmantoti baterijā.

Ελληνικά

Η διαγραμμένη ετικέτα του τροχοφόρου κάδου απορριμμάτων που θα βρείτε πάνω στο προϊόν σας υποδεικνύει ότι αυτό το προϊόν και οι ενσωματωμένες μπαταρίες δεν πρέπει να απορρίπτεται μέσω του κανονικού δικτύου αποκομιδής οικιακών απορριμμάτων. Για να αποτρέψετε πιθανές επιπτώσεις στο περιβάλλον ή την ατομική υγεία, παρακαλούμε να διαχωρίσετε αυτό το προϊόν και τις μπαταρίες του από άλλα δίκτυα αποκομιδής ώστε να διασφαλίσετε ότι είναι δυνατή η ανακύκλωσή του με έναν περιβαλλοντικά θεμιτό τρόπο. Για περισσότερες πληροφορίες σχετικά με τις διαθέσιμες δυνατότητες συλλογής απορριμμάτων, παρακαλούμε να επικοινωνήσετε με την τοπική κυβερνητική αρχή ή το κατάστημα λιανικής από όπου αγοράσατε αυτό το προϊόν. Η χρήση των χημικών συμβόλων Pb, Cd ή Hg υποδεικνύει εάν χρησιμοποιούνται τα μέταλλα αυτά στην μπαταρία.

Türkçe

Ürününüzün üzerinde bulunan çarpi işaretli tekerlekli kutu etiketi, bu ürünün ve beraberinde gelen pillerin normal ev atık sistemi vasıtasıyla elden çıkarılmaması gerektiğini gösterir. Çevreye ve insan sağlığına zarar vermeyei önlemek için, lütfen bu ürünü ve pillerini çevreye zarar vermeyecek şekilde geri dönüşüme tabi tutulmak üzere diğer atıklardan ayırın. Mevcut toplama tesisleri ile ilgili ayrıntılı bilgi edinmek için, yerel devlet makamlarıyla veya bu ürünü satın aldığınız satıcıyla irtibata geçin. Pb, Cd veya Hg kimyasal sembollerinin kullanılması, bu metallerin pillerin üretiminde kullanılıp kullanılmadığını ifade eder.

Română

Eticheta arătând un coș de gunoi tăiat cu două linii încrucișate, care poate fi găsită pe produs, indică faptul că acesta și bateriile încorporate nu trebuie aruncate la gunoi laolaltă cu gunoiul menajer. Pentru a evita posibila degradare a mediului înconjurător sau a sănătății umane, colectați separat acest produs și bateriile încorporate și nu împuneți cu gunoiul menajer pentru a vă asigura că acestea pot fi reciclate într-un mod ecologic. Pentru mai multe detalii privind punctele disponibile de colectare, contactați autoritățile locale sau comerciantul de la care ați achiziționat acest produs. Utilizarea simbolurilor unor substanțe chimice precum Pb, Cd sau Hg indică faptul că aceste metale sunt utilizate în baterie.

Български

Етикетът, представляващ зачертано кошче за боклук в кръг, който можете да видите върху вашия продукт, означава, че този продукт и батериите към него не трябва да се изхвърлят заедно с обикновените домакински отпадъци. За предпазване от евентуални щети върху околната среда или човешкото здраве, моля, отделете този продукт и батериите му от останалите отпадъци, за да се гарантира, че той ще бъде рециклиран по екологично съобразен начин. За повече информация относно наличните места за събиране на отпадъци, моля, свържете се с местните власти или търговеца, от когото сте закупили този продукт. Химическите символи Pb, Cd и Hg подсочват дали съответните метали са използвани в батерията.

This information only applies to customers in the European Union, according to DIRECTIVE 2006/66/EC OF THE EUROPEAN PARLIAMENT AND OF THE COUNCIL OF 6 September 2006 on batteries and accumulators and waste batteries and accumulators and repealing Directive 91/157/EEC and legislation transposing and implementing it into the various national legal systems.

For other countries, please contact your local government to investigate the possibility of recycling your product.

Οδηγίες για την ασφάλεια

Προειδοποιήσεις, επισημάνσεις και σημειώσεις



Προειδοποιήσεις

πρέπει να τηρούνται με προσοχή για την αποφυγή τραυματισμών.



Οι επισημάνσεις

πρέπει να λαμβάνονται υπόψη για την αποφυγή βλαβών στον εξοπλισμό σας.

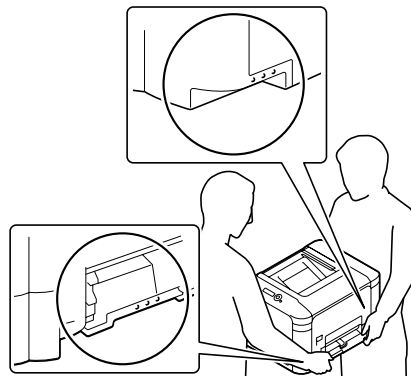
Οι σημειώσεις

περιέχουν σημαντικές πληροφορίες και χρήσιμες συμβουλές σχετικά με τη λειτουργία του εκτυπωτή.

Σημαντικές οδηγίες ασφάλειας

Εγκατάσταση του εκτυπωτή

- ❑ Καθώς ο εκτυπωτής ζυγίζει περίπου 27 kg με εγκατεστημένα τα αναλώσιμα προϊόντα, δεν πρέπει να τον σηκώνει ή να τον μεταφέρει μόνο ένα άτομο. Ο εκτυπωτής πρέπει να μεταφέρεται από δύο άτομα που θα τον κρατούν από τα κατάλληλα σημεία, όπως φαίνεται στην εικόνα.



- ❑ Αν έχετε προβλήματα με τη σύνδεση του καλωδίου τροφοδοσίας εναλλασσόμενου ρεύματος (AC) στην πρίζα, απευθυνθείτε σε κάποιον ηλεκτρολόγο.

- ❑ Βεβαιωθείτε ότι το καλώδιο τροφοδοσίας AC ικανοποιεί τα σχετικά τοπικά πρότυπα ασφαλείας. Χρησιμοποιείτε μόνο το καλώδιο τροφοδοσίας που παρέχεται μαζί με τη συσκευή. Η χρήση διαφορετικού καλωδίου μπορεί να προκαλέσει φωτιά ή ηλεκτροπληξία. Το καλώδιο τροφοδοσίας της συσκευής αυτής προορίζεται για χρήση μόνο με τη συγκεκριμένη συσκευή. Η χρήση του με άλλον εξοπλισμό μπορεί να προκαλέσει φωτιά ή ηλεκτροπληξία.
- ❑ Εάν προκληθεί ζημιά στην πρίζα, αντικαταστήστε το καλώδιο ή απευθυνθείτε σε κάποιον ηλεκτρολόγο. Εάν η πρίζα διαθέτει ασφάλειας, βεβαιωθείτε ότι τις αντικαταστήσατε με ασφάλειες σωστού μεγέθους και ορίου.
- ❑ Χρησιμοποιήστε γειωμένη πρίζα που να ταιριάζει με το βύσμα τροφοδοσίας του εκτυπωτή. Μην χρησιμοποιείτε βύσμα προσαρμογέα.
- ❑ Μην χρησιμοποιείτε πρίζες που ελέγχονται από διακόπτες ή αυτόματους χρονοδιακόπτες. Η διακοπή της τροφοδοσίας κατά λάθος μπορεί να έχει ως αποτέλεσμα τη διαγραφή πολύτιμων πληροφοριών από τη μνήμη του υπολογιστή και του εκτυπωτή σας.
- ❑ Βεβαιωθείτε ότι η πρίζα δεν έχει σκόνη.
- ❑ Συνδέστε καλά το βύσμα στην πρίζα.
- ❑ Μην αγγίζετε το βύσμα με βρεγμένα χέρια.
- ❑ Αποσυνδέστε τον εκτυπωτή από την πρίζα και απευθυνθείτε σε εξουσιοδοτημένο τεχνικό αντιπρόσωπο εάν συμβαίνουν τα παρακάτω:
 - A. Το καλώδιο τροφοδοσίας ή το βύσμα έχουν υποστεί ζημιά ή έχουν φθαρεί.
 - B. Έχει χυθεί υγρό μέσα στον εκτυπωτή.
 - C. Έχει εκτεθεί σε νερό ή βροχή.
 - D. Δεν λειτουργεί κανονικά ενώ ακολουθούνται οι οδηγίες χειρισμού του. Ρυθμίζετε μόνο τα στοιχεία ελέγχου που καλύπτονται από τις οδηγίες χρήσης, δεδομένου ότι η μη σωστή ρύθμιση άλλων στοιχείων ελέγχου μπορεί να έχει ως αποτέλεσμα την πρόκληση ζημιάς και συνήθως απαιτεί εκτεταμένη εργασία από εξουσιοδοτημένο τεχνικό για την αποκατάσταση της κανονικής λειτουργίας του προϊόντος.
 - E. Σε περίπτωση που η συσκευή πέσει κάτω ή προκληθεί ζημιά στο περίβλημα.
 - F. Εάν παρουσιάζει αισθητή διαφορά στην απόδοση, υποδεικνύοντας έτσι ότι απαιτείται συντήρηση.
- ❑ Μην χρησιμοποιείτε πρίζες στις οποίες είναι συνδεδεμένες και άλλες συσκευές.

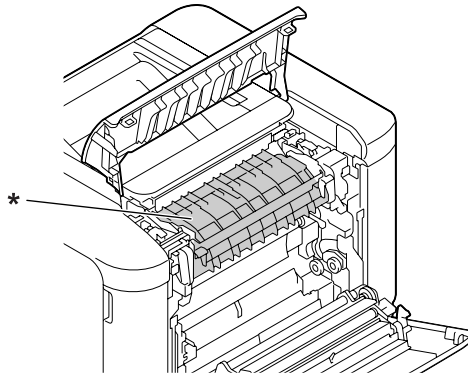
- ❑ Συνδέστε όλο τον εξοπλισμό σε σωστά γειωμένες πρίζες. Αποφεύγετε να χρησιμοποιείτε πρίζες που βρίσκονται στο ίδιο κύκλωμα με φωτοτυπικά ή με συστήματα αερισμού που ενεργοποιούνται και απενεργοποιούνται τακτικά.
- ❑ Συνδέστε τον εκτυπωτή σε πρίζα που πληροί τις προδιαγραφές τροφοδοσίας αυτού του εκτυπωτή. Οι προδιαγραφές τροφοδοσίας του εκτυπωτή αναγράφονται στην ετικέτα πάνω στον εκτυπωτή. Αν δεν είστε σίγουροι για τις προδιαγραφές τροφοδοσίας που ισχύουν στην περιοχή σας, συμβουλευθείτε τον προμηθευτή σας ή την εταιρεία παροχής ηλεκτρισμού.
- ❑ Εάν χρησιμοποιείτε καλώδιο επέκτασης, βεβαιωθείτε ότι η συνολική τάση σε αμπέρ των προϊόντων που είναι συνδεδεμένα στο καλώδιο επέκτασης δεν υπερβαίνει το όριο για το καλώδιο επέκτασης.
- ❑ Όταν συνδέετε αυτό το προϊόν σε υπολογιστή ή άλλη συσκευή με καλώδιο, βεβαιωθείτε για τον σωστό προσανατολισμό των συνδέσμων. Κάθε βύσμα διαθέτει μόνο ένα σωστό προσανατολισμό. Η τοποθέτηση ενός βύσματος με εσφαλμένο προσανατολισμό μπορεί να προκαλέσει ζημιά και στις δύο συσκευές που συνδέονται με το καλώδιο.
- ❑ Όταν χρησιμοποιείτε πρόσθετες μονάδες κασέτας χαρτιού, πρέπει να τοποθετείτε τους πείρους τοποθέτησης σωστά. Για οδηγίες σχετικά με την εγκατάσταση των πείρων τοποθέτησης, ανατρέξτε στο User's Guide.

Η κατάλληλη θέση για τον εκτυπωτή

- ❑ Φροντίστε να είναι κοντά σε πρίζα όπου θα μπορείτε εύκολα να συνδέσετε και να αποσυνδέσετε το καλώδιο τροφοδοσίας.
- ❑ Μην τοποθετείτε τον εκτυπωτή σε σημείο όπου μπορεί να πατηθεί το καλώδιο τροφοδοσίας.
- ❑ Μην χρησιμοποιείτε τον εκτυπωτή σε περιβάλλον με υγρασία.
- ❑ Αποφύγετε σημεία που είναι εκτεθειμένα άμεσα στο φως του ήλιου, σε υπερβολική ζέστη, υγρασία, ατμούς λαδιού ή σκόνη.
- ❑ Μην τοποθετείτε τον εκτυπωτή σε ασταθή επιφάνεια.
- ❑ Οι υποδοχές και τα ανοίγματα στο περίβλημα καθώς και στο πίσω μέρος ή τη βάση του εκτυπωτή παρέχονται για εξαερισμό. Μην τα φράσσετε, ούτε να τα καλύπτετε. Μην τοποθετείτε τον εκτυπωτή σε κρεβάτι, καναπέ, χαλάκι ή άλλη παρόμοια επιφάνεια ή σε εντοιχισμένη εγκατάσταση, εκτός εάν παρέχεται επαρκής εξαερισμός.
- ❑ Φροντίστε ολόκληρο το σύστημα υπολογιστή και εκτυπωτή να βρίσκεται μακριά από πιθανές πηγές παρεμβολών, όπως ηχεία ή συσκευές βάσης ασύρματων τηλεφώνων.
- ❑ Αφήστε αρκετό χώρο γύρω από τον εκτυπωτή ώστε να επιτυγχάνεται ο επαρκής αερισμός του.

Χρήση του εκτυπωτή

- ❑ Προσέξτε να μην αγγίξετε τη μονάδα τήξης, που φέρει την ένδειξη **CAUTION**, ή τις περιοχές γύρω από αυτή. Εάν ο εκτυπωτής έχει χρησιμοποιηθεί πρόσφατα, η θερμοκρασία της μονάδας τήξης και των γύρω περιοχών μπορεί να είναι εξαιρετικά υψηλή. Εάν πρέπει να αγγίξετε ένα από αυτά τα μέρη, περιμένετε 40 λεπτά μέχρι να υποχωρήσει η θερμότητα.



* CAUTION

- ❑ Μην τοποθετείτε το χέρι σας μέσα στη μονάδα τήξης καθώς ορισμένα εξαρτήματα είναι αιχμηρά και ίσως προκαλέσουν τραυματισμό.
- ❑ Ποτέ μην ωθείτε αντικείμενα οποιουδήποτε είδους μέσα από τις υποδοχές του περιβλήματος διότι μπορεί να αγγίξουν σημεία με τάση ή να προκαλέσουν βραχυκύκλωμα σε εξαρτήματα, με ενδεχόμενο αποτέλεσμα την πρόκληση φωτιάς ή ηλεκτροπληξίας.
- ❑ Μην κάθεστε ή ακουμπάτε πάνω στον εκτυπωτή. Μην τοποθετείτε βαριά αντικείμενα πάνω στον εκτυπωτή.
- ❑ Μην χρησιμοποιείτε εύφλεκτα αέρια κοντά στον εκτυπωτή.
- ❑ Ποτέ μην ασκείτε υπερβολική δύναμη για να τοποθετήσετε τα εξαρτήματα του εκτυπωτή στη θέση τους. Παρόλο που ο εκτυπωτής έχει σχεδιαστεί έτσι ώστε να είναι ανθεκτικός, ενδέχεται να προκληθούν ζημιές εξαιτίας τυχόν μη προσεκτικής μεταχείρισης.
- ❑ Εάν προκληθεί εμπλοκή χαρτιού, μην αφήσετε το χαρτί μέσα στον εκτυπωτή. Ενδέχεται να προκληθεί υπερθέρμανση.
- ❑ Ποτέ μην χύνετε υγρό οποιουδήποτε είδους πάνω στον εκτυπωτή.
- ❑ Ρυθμίστε μόνο τα στοιχεία ελέγχου που αναφέρονται στις οδηγίες χρήσης. Η λανθασμένη ρύθμιση άλλων στοιχείων ελέγχου μπορεί να προκαλέσει βλάβη και να απαιτείται επισκευή από κάποιον εξουσιοδοτημένο τεχνικό αντιπρόσωπο.

- Μην απενεργοποιήσετε τον εκτυπωτή:
 - Αφού ενεργοποιήσετε τον εκτυπωτή, περιμένετε μέχρι να εμφανιστεί η ένδειξη Ready στην οθόνη LCD.
 - Κατά την εκτύπωση ή κατά τη διάρκεια άλλων λειτουργιών, όπως η εγγραφή ή δεδομένων σε εξωτερικές συσκευές.
- Μην αγγίζετε τα εξαρτήματα που βρίσκονται στο εσωτερικό του εκτυπωτή εκτός αν σας δίνονται σχετικές οδηγίες στον οδηγό αυτό.
- Τηρείτε όλες τις προειδοποιήσεις και τις οδηγίες που αναγράφονται στον εκτυπωτή.
- Εκτός εάν αναφέρεται ρητά στην τεκμηρίωση του εκτυπωτή, μην επιχειρείτε να συντηρήσετε μόνοι σας το προϊόν.
- Ανά τακτά διαστήματα αποσυνδέετε το βύσμα από την πρίζα και καθαρίζετε τα πτερύγια.
- Μην αποσυνδέετε το βύσμα όταν ο εκτυπωτής είναι ενεργοποιημένος.
- Εάν δεν πρόκειται να χρησιμοποιήσετε τον εκτυπωτή για μεγάλο χρονικό διάστημα, αποσυνδέστε το βύσμα από την πρίζα.
- Πριν τον καθαρίσετε, αποσυνδέστε τον εκτυπωτή από την πρίζα.
- Χρησιμοποιήστε ένα καλά στραγγισμένο πανί καθαρισμού και μην χρησιμοποιείτε καθαριστικά υγρά ή σπρέι.
- Όταν μετακινείτε τον εκτυπωτή, να τον κρατάτε πάντα οριζόντια.
- Μην χρησιμοποιείτε υπερβολική δύναμη όταν αφαιρείτε το μπλοκαρισμένο χαρτί. Το σκισμένο χαρτί αφαιρείται δύσκολα και ενδέχεται να προκαλέσει και άλλη εμπλοκή χαρτιού. Τραβήξτε απαλά και σταθερά το χαρτί για να μη σκιστεί ή πέσει κάτω και προσέξτε μην τραυματιστείτε.
- Μην τραβάτε το καλώδιο τροφοδοσίας κατά την αποσύνδεση του βύσματος. Φροντίστε πάντα να κρατάτε το βύσμα κατά την αποσύνδεσή του.
- Μην πιάνετε απότομα τις άκρες των χαρτιών γιατί μπορεί να κοπείτε.
- Κατά τη μεταφορά του εκτυπωτή, απενεργοποιήστε τον και αποσυνδέστε το καλώδιο τροφοδοσίας από την πρίζα. Φροντίστε να αποσυνδέσετε όλα τα καλώδια.

Χρήση των αναλώσιμων

- Μην καίτε τα χρησιμοποιημένα αναλώσιμα γιατί ενδέχεται να εκραγούν και να προκαλέσουν τραυματισμό. Η απόρριψή τους πρέπει να πραγματοποιείται σύμφωνα με τους τοπικούς κανονισμούς.

- ❑ Φροντίστε να φυλάσσετε τα αναλώσιμα μακριά από τα παιδιά.
- ❑ Κατά το χειρισμό της κασέτας τόνερ, τοποθετήστε την πάνω σε μια καθαρή, λεία επιφάνεια.
- ❑ Μην προσπαθήσετε να τροποποιήσετε ή να αποσυναρμολογήσετε την κασέτα τόνερ.
- ❑ Μην αγγίζετε το τόνερ. Κρατάτε πάντα το τόνερ σε απόσταση από τα μάτια σας. Εάν το τόνερ πέσει στο δέρμα ή στα ρούχα σας, ξεπλύνετε αμέσως με σαπούνι και νερό.
- ❑ Εάν το τόνερ χυθεί, σκουπίστε το με σκούπα και φαράσι ή καθαρίστε το με πανί, σαπούνι και νερό. Καθώς τα λεπτά σωματίδια μπορούν να προκαλέσουν φωτιά ή έκρηξη αν έρθουν σε επαφή με σπινθήρα, μην χρησιμοποιείτε ηλεκτρική σκούπα.
- ❑ Περιμένετε τουλάχιστον μία ώρα πριν χρησιμοποιήσετε μια κασέτα τόνερ που έχετε μεταφέρει από κρύο σε θερμό περιβάλλον, προκειμένου να αποφευχθεί η πρόκληση βλαβών λόγω συμπύκνωσης υγρασίας.
- ❑ Για βέλτιστη ποιότητα εκτύπωσης, μην αποθηκεύετε την κασέτα τόνερ σε περιοχές που εκτίθενται άμεσα στο φως του ηλίου, σε σκόνη, θαλασσινό αέρα ή διαβρωτικά αέρια (όπως αμμωνία). Αποφύγετε επίσης χώρους όπου σημειώνονται απότομες ή ακραίες αλλαγές θερμοκρασίας ή υγρασίας.
- ❑ Κατά την αφαίρεση μιας κασέτας τόνερ, μην την εκθέτετε στο φως του ηλίου και αποφύγετε την έκθεση σε φως δωματίου για περισσότερο από πέντε λεπτά. Η κασέτα τόνερ περιέχει ένα φωτοευαίσθητο τύμπανο. Η έκθεση στο φως μπορεί να προκαλέσει βλάβη στο τύμπανο, με αποτέλεσμα την εμφάνιση σκουρόχρωμων ή ανοιχτόχρωμων περιοχών στις εκτυπώσεις σας καθώς και την ελάττωση της διάρκειας ζωής του τύμπανου. Εάν χρειάζεται να παραμείνει η κασέτα τόνερ εκτός του εκτυπωτή για μεγάλο χρονικό διάστημα, καλύψτε τη με ένα αδιαφανές ύφασμα.
- ❑ Προσέξτε να μη γρατσουνίσετε την επιφάνεια του τύμπανου. Όταν αφαιρείτε την κασέτα τόνερ από τον εκτυπωτή, τοποθετείτε την πάντα σε μια καθαρή, λεία επιφάνεια. Αποφύγετε την επαφή με το τύμπανο, γιατί η λιπαρότητα του δέρματος μπορεί να προκαλέσει μόνιμη ζημιά στην επιφάνειά του επηρεάζοντας την ποιότητα εκτύπωσης.

Πληροφορίες για την ασφάλεια

Ετικέτες ασφάλειας για τη χρήση λέιζερ



Προειδοποίηση:

Η εκτέλεση διαδικασιών και ρυθμίσεων που δεν ορίζονται στην τεκμηρίωση του εκτυπωτή ενδέχεται να οδηγήσει σε έκθεση σε επικίνδυνη ακτινοβολία. Ο εκτυπωτής σας αποτελεί προϊόν λέιζερ Κλάσης 1, σύμφωνα με τις προδιαγραφές του προτύπου IEC60825. Η παρακάτω ετικέτα είναι τοποθετημένη στο πίσω μέρος του εκτυπωτή στις χώρες όπου απαιτείται.



Εσωτερική ακτινοβολία λέιζερ

Υπάρχει ένα συγκρότημα διόδου λέιζερ Κλάσης III b με αόρατη ακτίνα λέιζερ στη μονάδα κεφαλής του εκτυπωτή. Η μονάδα κεφαλής του εκτυπωτή ΔΕΝ ΑΠΟΤΕΛΕΙ ΣΤΟΙΧΕΙΟ ΣΥΝΤΗΡΗΣΗΣ, συνεπώς, δεν πρέπει να ανοίγεται υπό οποιοσδήποτε συνθήκες. Μια πρόσθετη ετικέτα προειδοποίησης είναι τοποθετημένη στο εσωτερικό του εκτυπωτή.



Προστασία από το όζον

Εκπομπή όζοντος

Το αέριο όζον παράγεται από τους εκτυπωτές λέιζερ ως παραπροϊόν της διαδικασίας εκτύπωσης. Το όζον παράγεται μόνον όταν ο εκτυπωτής εκτυπώνει.

Όριο έκθεσης στο όζον

Ο εκτυπωτής λέιζερ της Epson παράγει λιγότερο από 3 mg/h συνεχούς εκτύπωσης.

Ελαχιστοποίηση του κινδύνου

Για να ελαχιστοποιήσετε τον κίνδυνο έκθεσης στο όζον, πρέπει να αποφεύγετε τα ακόλουθα:

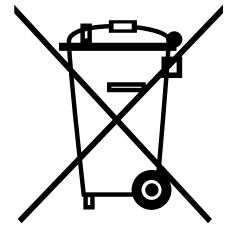
- Χρήση πολλών εκτυπωτών λέιζερ σε περιορισμένο χώρο
- Λειτουργία σε συνθήκες υπερβολικά υψηλής υγρασίας
- Κακές συνθήκες εξαερισμού
- Συνεχής, μεγάλης διάρκειας εκτύπωση σε συνδυασμό με οποιαδήποτε από τις παραπάνω συνθήκες

Θέση του εκτυπωτή

Η θέση του εκτυπωτή πρέπει να επιλέγεται κατά τρόπον ώστε τα αέρια εξαγωγής και η θερμότητα που παράγονται να:

- Μην εξαγονται απευθείας στο πρόσωπο του χρήστη
- Απομακρύνονται, ει δυνατόν, μέσω εξαερισμού εκτός κτιρίου

Battery Addendum



English

The crossed out wheeled bin label that can be found on your product indicates that this product and incorporated batteries should not be disposed of via the normal household waste stream. To prevent possible harm to the environment or human health please separate this product and its batteries from other waste streams to ensure that it can be recycled in an environmentally sound manner. For more details on available collection facilities please contact your local government office or the retailer where you purchased this product. Use of the chemical symbols Pb, Cd or Hg indicates if these metals are used in the battery.

Deutsch

Der Aufkleber mit durchgekrenzter Mülltonne an diesem Produkt weist darauf hin, dass dieses Produkt und darin enthaltene Batterien nicht im normalen Hausmüll entsorgt werden dürfen. Zur Vermeidung einer möglichen Beeinträchtigung der Umwelt oder der menschlichen Gesundheit und um zu gewährleisten, dass es in einer umweltverträglichen Weise recycelt wird, darf dieses Produkt mitsamt den Batterien nicht in den Hausmüll gegeben werden. Informationen zu Entsorgungseinrichtungen erhalten Sie bei der zuständigen Behörde oder dem Händler, bei dem Sie dieses Produkt erworben haben. Die Angabe der chemischen Zeichen Pb, Cd oder Hg bedeutet, dass diese Metalle in der Batterie verwendet werden.

Français

L'étiquette apposée sur ce produit et représentant une poubelle barrée indique que le produit et les piles intégrées ne peuvent être mis au rebut avec les déchets domestiques normaux. Afin d'éviter d'éventuels dommages au niveau de l'environnement ou sur la santé, veuillez séparer ce produit et ses piles des autres déchets de manière à garantir qu'ils soient recyclés de manière sûre au niveau environnemental. Pour plus de détails sur les sites de collecte existants, veuillez contacter l'administration locale ou le détaillant auprès duquel vous avez acheté ce produit. Les symboles chimiques Pb, Cd et Hg sont utilisés pour désigner les métaux présents dans les piles.

Italiano

L'etichetta con il contenitore barrato applicata sull'imballo indica che il prodotto e le batterie incluse non devono essere smaltiti tramite la procedura normale di smaltimento dei rifiuti domestici. Per evitare eventuali danni all'ambiente e alla salute umana, separare questo prodotto e le relative batterie da altri rifiuti domestici in modo che possano essere riciclati in base alle procedure di rispetto dell'ambiente. Per maggiori dettagli sulle strutture di raccolta disponibili, contattare l'ufficio competente del proprio comune o il rivenditore del prodotto. L'uso dei simboli chimici Pb, Cd o Hg indica la presenza di tali metalli nelle batterie.

Español

La etiqueta de un contenedor tachado que hallará en su producto indica que este producto y sus pilas no se pueden tirar con la basura doméstica normal. Para impedir posibles daños medioambientales o para la salud, separe este producto y sus pilas de otros canales de desecho para garantizar que se recicle de una forma segura para el medio ambiente. Para más información sobre las instalaciones de recolección disponibles, diríjase a las autoridades locales o al punto de venta donde adquirió este producto. Los símbolos químicos Pb, Cd o Hg indican que las pilas contienen ese metal.

Português

A etiqueta com o símbolo de um contentor de lixo traçado com uma cruz que aparece no produto indica que este produto e as pilhas incluídas não devem ser deitados fora juntamente com o lixo doméstico. Para evitar possíveis danos no ambiente ou na saúde pública, por favor separe este produto e respectivas pilhas de outros lixos; desta forma, terá a certeza de que podem ser reciclados através de métodos não prejudiciais ao ambiente. Para obter mais informações sobre os locais de recolha de lixo disponíveis, contacte a sua junta de freguesia, câmara municipal ou local onde comprou este produto. A utilização dos símbolos químicos Pb, Cd ou Hg indica se estes metais são utilizados na pilha.

Nederlands

Op uw product is een label van een rolcontainer met een kruis erdoor aangebracht. Dit label wil zeggen dat dit product en de batterijen in het product niet bij het normale huishoudelijk afval mogen worden ingezameld. Om eventuele schade aan het milieu of de gezondheid van de mens te voorkomen moeten dit product en de batterijen gescheiden van al het ander afval worden ingezameld, zodat alles op een verantwoorde wijze kan worden verwerkt. Voor meer informatie over uw lokale afvalinzameling wendt u zich tot uw gemeente of de leverancier bij wie u dit product hebt gekocht. Gebruik van de chemische symbolen Pb, Cd of Hg geeft aan of deze metalen worden gebruikt in de batterij.

Dansk

Etiketten med et kryds over skraldespanden på hjul, der sidder på produktet, angiver, at dette produkt og dets batterier ikke må bortskaffes sammen med almindeligt husholdningsaffald. For at beskytte miljø og helbred skal dette produkt og dets batterier bortskaffes separat, så disse dele kan genbruges på en måde, der er god for miljøet. Kontakt de lokale myndigheder eller den forhandler, hos hvem du har købt produktet, vedrørende steder, hvor du kan aflevere produktet. Brugen af de kemiske symboler Pb, Cd eller Hg angiver, om disse metaller er anvendt i batteriet.

Suomi

Laitte on merkitty jäteastia-symbolilla, jonka yli on vedetty rasti. Tämä tarkoittaa, ettei laitetta tai siihen kuuluvia paristoja saa hävittää normaalin talousjätteen mukana. Älä hävitä laitetta tai sen paristoja normaalin jätteen seassa vaan varmista, että laite kierrätetään ympäristöystävällisellä tavalla, jottei ympäristölle tai ihmisille aiheudu vahinkoa. Lisätietoja kierrätyksestä ja keräyspisteistä saa ottamalla yhteyttä paikallisiin viranomaisiin tai jälleenmyyjään, jolta laite ostettiin. Kemiallisten merkien Pb (lyijy), Cd (kadmium) tai Hg (elohopea) käyttö ilmaisee, että paristo sisältää kyseistä metallia.

Svenska

Symbolen med en överkorsad soptunna innebär att denna produkt och tillhörande batterier inte får kastas i vanligt hushållsavfall. För att skydda miljön ska denna produkt och dess batterier inte kastas tillsammans med vanligt hushållsavfall utan lämnas för återvinning på tillbörligt sätt. För mer information om uppsamlingsplatser kontakta din lokala myndighet eller den återförsäljare där du har köpt produkten. De kemiska symbolerna Pb, Cd eller Hg visar om dessa metaller används i batteriet.

Norsk

Etiketten på hjulbeholderen på produktet ditt antyder at produktet og batteriene som hører med, ikke skal avhendes sammen med vanlig husholdningsavfall. Hold produktet og batteriene atskilt fra annet avfall, slik at det kan resirkuleres på en miljømessig og forsvarlig måte og dermed forhindre eventuell skade på miljø eller helse. Kontakt lokale myndigheter, eller din forhandler, for mer informasjon angående avhenting av produktet. De kjemiske symbolene Pb, Cd og Hg antyder om disse metallene har blitt brukt i batteriet.

Česky

Štítek s přeškrtnutým odpadkovým košem na kolečkách, který lze nalézt na výrobku, označuje, že se tento výrobek a přiložené baterie nemají likvidovat s běžným domovním odpadem. V zájmu ochrany životního prostředí a lidského zdraví zlikvidujte tento výrobek a jeho baterie jako tříděný odpad, který se recykluje způsobem šetrným k životnímu prostředí. Podrobnější informace o sběrných dvorech pro tříděný odpad získáte na obecním úřadě nebo u prodejce, u kterého jste tento výrobek zakoupili. Použité chemické značky Pb, Cd nebo Hg označují, zda baterie obsahuje tyto kovy.

Magyar

A termékén található, áthúzott szemetest ábrázoló címke azt jelzi, hogy ezt a terméket és a hozzá tartozó elemeket nem szabad a rendes háztartási szeméttel együtt kidobni. Az esetleges környezeti- vagy egészségkárosodást megelőzendő, kérjük, hogy ezt a terméket és az elemeket a többi szeméttől elkülönítve helyezze el, és biztosítsa, hogy azt környezetbarát módon újrahasznosítsák. A rendelkezésére álló begyűjtő létesítményekről kérjük tájékozódjon a megfelelő helyi állami szerveknél vagy a viszonteladónál, ahol a terméket vásárolta. A Pb, Cd vagy Hg vegyjelek jelzik, ha ilyen fémeket is felhasználtak az elem gyártása során.

Polski

Symbol przekreślonego kosza znajdujący się na produkcie oznacza, że nie można produktu oraz wewnętrzznego akumulatora utylizować razem z normalnymi odpadami z gospodarstwa domowego. Aby zapobiec potencjalnemu zagrożeniu dla środowiska lub zdrowia ludzkiego, produkt oraz wewnętrzny akumulator należy odseparować od reszty odpadów z gospodarstwa domowego i utylizować w ekologicznie właściwy sposób. Szczegółowe informacje na temat punktów zbiórki odpadów można uzyskać w lokalnych urzędach lub u sprzedawcy danego produktu. Symbole chemiczne Pb, Cd lub Hg oznaczają, że metale te zostały zastosowane w akumulatorze.

Slovensky

Štítok s preškrtnutým odpadkovým košom na kolieskach, ktorý je možné nájsť na výrobku, označuje, že tento produkt a obsiahnuté batérie sa nemajú likvidovať s bežným komunálnym odpadom. V záujme ochrany životného prostredia a ľudského zdravia zlikvidujte tento výrobok a batérie ako triedený odpad, ktorý sa recykluje spôsobom šetrným k životnému prostrediu. Podrobnejšie informácie o zberných dvoroch pre triedený odpad získate na obecnom úrade alebo u predajcu, u ktorého ste príslušný výrobok zakúpili. Použitie chemických značiek Pb, Cd alebo Hg znamená, že tieto kovy sú použité v batériách.

Slovenski

Prečrtan koš za smeti na etiketi, katero lahko najdete na vašem izdelku, pomeni, da niti tega izdelka niti njegovih baterij ne smete odvreči podobno kot vse ostale smeti. Da bi preprečili morebitne škodljive vplive na okolje ali zdravje, ločite izdelek in njegove baterije od vseh ostalih odpadkov in poskrbite, da bodo reciklirani na okolju prijazen način. Natančne informacije o tem, kje se nahajajo primerna odlagališča, pridobite v vašem krajevnem uradu ali pri prodajalcu. Kemijski simboli Pb, Cd in Hg označujejo, katere kovine vsebuje baterija.

Eesti

Teie tootele kleebitud tähis, mis kujutab ratastega prügikonteinerit, millele on rist peale tõmmatud, keelab toote ja sellega kaasasolevate patareide kõrvaldamise majapidamisjäätmetega sarnasel viisil. Keskkonnale või inimeste tervisele tekitava võimaliku kahju vältimiseks eraldage toode ja selle patareid teistest jäätmetest, et tagada nende korduvkasutamise keskkonnasäästlikul viisil. Kui soovite saada rohkem teavet võimalike kogumispunktide kohta, võtke ühendust kohaliku omavalituse ametnikuga või teile toote müünud jaemüüjaga. Keemiliste sümbolite Pb, Cd või Hg kasutamise näitab, kas tootes on vastavaid metalle kasutatud.

Lietuviškai

Užbraukta ratuota šiukšliadėžės etiketė, kurią rasite ant jūsų produkto, reiškia, kad šis produktas ir pridedamos baterijos neturėtų būti išmestas kartu su įprastinėmis buitinėmis šiukšlėmis. Siekiant išvengti galimos žalos aplinkai bei žmonių sveikatai, prašome atskirti šį produktą ir pridedamas baterijas nuo kitų atliekų, ir įsitikinti, kad jis būtų perdirbtas aplinkai nepavojingu būdu. Jei reikia išsamesnės informacijos apie atliekų surinkimo ypatumus, prašome kreiptis į savo vietos valdžios įstaigas arba į mažmeninį pardavėją, iš kurio jūs įsigijote šį produktą. Atitinkamų metalų naudojimas baterijose yra pažymėtas cheminiais simboliais Pb, Cd arba Hg ant baterijų.

Latviski

Marķējums ar pārsvītrotu atkritumu tvertni uz ritenīšiem, kas redzams uz izstrādājuma, norāda, ka šo izstrādājumu un tajā iekļautās baterijas nedrīkst likvidēt kopā ar parastajiem sadzīves atkritumiem. Lai novērstu iespējamo kaitējumu videi vai cilvēku veselībai, lūdzu, atdaliet šo izstrādājumu un tā baterijas no citiem atkritumiem, tādējādi nodrošinot tā otrreizējo pārstrādi videi drošā veidā. Papildinformācijai par pieejamajām atkritumu savākšanas iespējām, lūdzu, sazinieties ar vietējo pašvaldību vai mazumtirgotāju, no kura jūs iegādājāties šo izstrādājumu. Ķīmisko simbolu Pb, Cd un Hg izmantošana uz marķējuma nozīmē, ka šie metāli ir izmantoti baterijā.

Ελληνικά

Η διαγραμμένη ετικέτα του τροχοφόρου κάδου απορριμμάτων που θα βρείτε πάνω στο προϊόν σας υποδεικνύει ότι αυτό το προϊόν και οι ενσωματωμένες μπαταρίες δεν πρέπει να απορρίπτεται μέσω του κανονικού δικτύου αποκομιδής οικιακών απορριμμάτων. Για να αποτρέψετε πιθανές επιπτώσεις στο περιβάλλον ή την ατομική υγεία, παρακαλούμε να διαχωρίσετε αυτό το προϊόν και τις μπαταρίες του από άλλα δίκτυα αποκομιδής ώστε να διασφαλίσετε ότι είναι δυνατή η ανακύκλωσή του με έναν περιβαλλοντικά θεμιτό τρόπο. Για περισσότερες πληροφορίες σχετικά με τις διαθέσιμες δυνατότητες συλλογής απορριμμάτων, παρακαλούμε να επικοινωνήσετε με την τοπική κυβερνητική αρχή ή το κατάστημα λιανικής από όπου αγοράσατε αυτό το προϊόν. Η χρήση των χημικών συμβόλων Pb, Cd ή Hg υποδεικνύει εάν χρησιμοποιούνται τα μέταλλα αυτά στην μπαταρία.

Türkçe

Ürününüzün üzerinde bulunan çarpi işaretli tekerlekli kutu etiketi, bu ürünün ve beraberinde gelen pillerin normal ev atık sistemi vasıtasıyla elden çıkarılmaması gerektiğini gösterir. Çevreye ve insan sağlığına zarar vermeyei önlemek için, lütfen bu ürünü ve pillerini çevreye zarar vermeyecek şekilde geri dönüşüme tabi tutulmak üzere diğer atıklardan ayırın. Mevcut toplama tesisleri ile ilgili ayrıntılı bilgi edinmek için, yerel devlet makamlarıyla veya bu ürünü satın aldığınız satıcıyla irtibata geçin. Pb, Cd veya Hg kimyasal sembollerinin kullanılması, bu metallerin pillerin üretiminde kullanılıp kullanılmadığını ifade eder.

Română

Eticheta arătând un coș de gunoi tăiat cu două linii încrucișate, care poate fi găsită pe produs, indică faptul că acesta și bateriile încorporate nu trebuie aruncate la gunoi laolaltă cu gunoiul menajer. Pentru a evita posibila degradare a mediului înconjurător sau a sănătății umane, colectați separat acest produs și bateriile încorporate și nu împuneți cu gunoiul menajer pentru a vă asigura că acestea pot fi reciclate într-un mod ecologic. Pentru mai multe detalii privind punctele disponibile de colectare, contactați autoritățile locale sau comerciantul de la care ați achiziționat acest produs. Utilizarea simbolurilor unor substanțe chimice precum Pb, Cd sau Hg indică faptul că aceste metale sunt utilizate în baterie.

Български

Етикетът, представляващ зачертано кошче за боклук в кръг, който можете да видите върху вашия продукт, означава, че този продукт и батериите към него не трябва да се изхвърлят заедно с обикновените домакински отпадъци. За предпазване от евентуални щети върху околната среда или човешкото здраве, моля, отделете този продукт и батериите му от останалите отпадъци, за да се гарантира, че той ще бъде рециклиран по екологично съобразен начин. За повече информация относно наличните места за събиране на отпадъци, моля, свържете се с местните власти или търговеца, от когото сте закупили този продукт. Химическите символи Pb, Cd и Hg посочват дали съответните метали са използвани в батерията.

This information only applies to customers in the European Union, according to DIRECTIVE 2006/66/EC OF THE EUROPEAN PARLIAMENT AND OF THE COUNCIL OF 6 September 2006 on batteries and accumulators and waste batteries and accumulators and repealing Directive 91/157/EEC and legislation transposing and implementing it into the various national legal systems.

For other countries, please contact your local government to investigate the possibility of recycling your product.

Güvenlik Talimatları

Uyarılar, Dikkat Notları ve Notlar



Uyarılar

bedensel yaralanmaları önlemek için uyulması gerekenlere işaret eder.



Dikkat

donanımınıza zarar gelmesini önlemek için uyulması gerekenlere işaret eder.

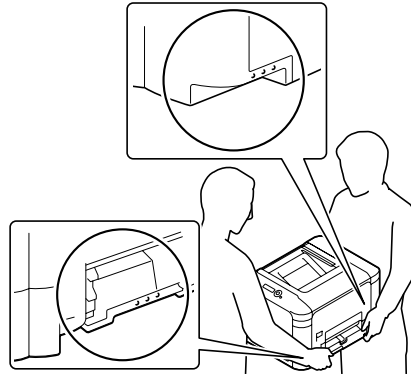
Notlar

yazıcınızın işletimi hakkında önemli bilgiler ve faydalı ipuçları içerir.

Önemli Güvenlik Talimatları

Yazıcının kurulması

- ❑ Yazıcı sarf malzemeleri ile birlikte yaklaşık 27 kg ağırlığındadır, bu nedenle tek kişi tarafından kaldırılmamalı veya taşınmamalıdır. Yazıcı iki kişi tarafından aşağıda gösterilen şekilde kaldırılarak taşınmalıdır.



- ❑ AC fişini elektrik prizine takamıyorsanız, bir elektrikçiye başvurun.

- AC elektrik kablosunun ilgili yerel güvenlik standartlarına uygun olduğundan emin olun. Sadece bu ürünle gelen elektrik kablosunu kullanın. Başka bir kablonun kullanılması yangına veya elektrik çarpmasına yol açabilir. Bu ürünün elektrik kablosu sadece bu ürüne özgüdür. Başka donanımlarla kullanılması yangına veya elektrik çarpmasına yol açabilir.
- Fiş kısmında bir hasar oluşması durumunda kablo setini yenisi ile değiştirin ya da kalifiye bir elektrik teknisyeni ile irtibata geçin. Fişte sigorta varsa, doğru ebatta ve sınıfta olan sigortalar ile değiştirdiğinizden emin olun.
- Yazıcının elektrik fişine uygun topraklanmış priz kullanın. Fiş bağdaştırıcısı kullanmayın.
- Duvar şalterleri veya otomatik zamanlayıcılarla kumanda edilen elektrik prizlerini kullanmaktan kaçının. Gücün kazara kesilmesi, bilgisayarınızın ve yazıcınızın belleğindeki değerli bilgileri silebilir.
- Soket üzerinde toz bulunmadığından emin olun.
- Fişi elektrik prize tamamen yerleştirdiğinizden emin olun.
- Fişi ıslak elle tutmayın.
- Aşağıdaki koşullarda bu yazıcıyı prizden çıkarın ve servis almak için ehliyetli bir servis temsilcisine başvurun:
 - A. Elektrik kablosu veya fişi hasar görmüş veya aşınmışsa.
 - B. İçine sıvı dökülmüşse.
 - C. Yağmur veya suya maruz kalmışsa.
 - D. İşletim talimatlarının izlenmesine rağmen normal çalışmazsa. Kumandaların doğru ayarlanmaması hasara yol açabileceği ve çoğunlukla ürünü normal çalışır duruma getirmek için ehliyetli bir teknisyenin kapsamlı bir çalışma yapmasını gerektireceği için yalnızca işletim talimatlarında yer alan kumandaları ayarlayın.
 - E. Düşürülmüş veya kabin zarar görmüşse.
 - F. Performansta, servise ihtiyaç duyduğunu gösterir bir fark sergiliyorsa.
- Prizleri başka aygıtlarla paylaşmayın.
- Tüm ekipmanı gerektiği gibi topraklanmış elektrik prizlerine takın. Düzenli olarak açılıp kapanan fotokopi makineleri veya hava kontrol sistemleri ile aynı devrede bulunan prizleri kullanmaktan kaçının.

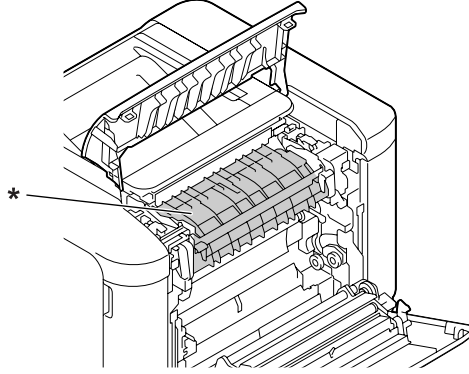
- Yazıcınızı, bu yazıcının güç gereksinimlerine uygun bir elektrik prizine takın. Yazıcınızın güç gereksinimleri, üzerine yapıştırılmış bir etikette belirtilmektedir. Bölgenizdeki güç kaynağı özelliklerini tam olarak bilmiyorsanız, yerel elektrik şirketine veya satıcınıza başvurun.
- Bir uzatma kablosu kullanıyorsanız, uzatma kablosuna takılan ürünlerin toplam amper değerinin uzatma kablosunun amper değerini aşmadığından emin olun.
- Bu ürünü bir kablo yardımıyla bir bilgisayara veya başka cihazlara bağlarken bağlayıcıların yönünün doğru olduğundan emin olun. Her bir bağlayıcının yalnızca bir doğru yönü vardır. Bağlayıcının yanlış yönde takılması kabloya bağlanan her iki cihaza da zarar verebilir.
- İsteğe bağlı kağıt kaset birimini kullanırken konumlandırma pimlerini doğru taktığınızdan emin olun. Konumlandırma pimlerinin nasıl takılacağı hakkında bilgi için Kullanım Kılavuzu'na bakın.

Yazıcı için yer bulma

- Yazıcıyı elektrik kablosunu kolayca takabileceğiniz ve çıkarabileceğiniz bir elektrik prizinin yakınına yerleştirin.
- Yazıcınızı kablonun üzerine basılabilecek yerlere koymayın.
- Yazıcıyı nemli bir ortamda kullanmayın.
- Doğrudan güneş ışığına, aşırı ısıya, neme, benzin buharına ve toza maruz kalan yerlerden uzak tutun.
- Yazıcıyı dengesiz bir yüzeye yerleştirmeyin.
- Kabindeki ve arka veya alttaki oyuklar ve açıklıklar havalandırma amaçlı tasarlanmıştır. Bunları engellemeyin veya kapatmayın. Yazıcıyı yatağa, divana, halıya veya benzeri diğer yüzeylere ya da yeterli havalandırma olmadığı sürece dahili bir tesisata yerleştirmeyin.
- Bilgisayar ve yazıcı sisteminin tümünü, hoparlör veya kablosuz telefon ana birimi gibi olası parazit kaynaklarından uzak tutun.
- Yeterli havalandırma sağlanabilmesi için yazıcının etrafında yeterli boşluk bırakın.

Yazıcıyı kullanma

- ❑ **DİKKAT** yazısının bulunduğu füzere veya çevresindeki alana dokunmamaya dikkat edin. Yazıcı kullanıldıysa füzer ve çevresindeki alan çok sıcak olabilir. Bu alanlardan birine dokunmanız gerekiyorsa, öncelikle ısının düşmesi için 40 dakika bekleyin.



* DİKKAT

- ❑ Bazı parçaları keskin olup yaralanmalara neden olabileceğinden elinizi füzer biriminin içine sokmayın.
- ❑ Kabindeki oyukluktan kesinlikle hiçbir şey sokmayın çünkü bunlar, tehlikeli voltaj noktalarına temas edebilir veya yangın ve elektrik çarpması riskine yol açabilecek parça kısa devrelerine neden olabilir.
- ❑ Yazıcının üstüne oturmeyin veya dayanmayın. Yazıcının üzerine ağır nesnelere koymayın.
- ❑ Yazıcı etrafında ne tipte olursa olsun yanıcı gaz kullanmayın.
- ❑ Yazıcının parçalarını hiçbir zaman zorlayarak yerlerine oturtmayın. Yazıcı dayanıklı olarak tasarlanmış olsa da kaba kullanımdan dolayı zarar görebilir.
- ❑ Yazıcının içinde sıkışmış kağıt bırakmayın. Bu, yazıcının fazla ısınmasına neden olabilir.
- ❑ Yazıcının üzerine kesinlikle hiçbir türden sıvı dökmeyin.
- ❑ Yalnızca işletim talimatlarında belirtilen kumanda ayarlarını yapın. Diğer kumanda ayarlarının yanlış yapılması, hasara neden olabilir ve yetkili servis temsilcisi tarafından onarım yapılmasını gerektirebilir.
- ❑ Aşağıdaki durumlarda yazıcıyı kapatmayın:
 - Yazıcı açıldıktan sonra LCD panelinde Ready (Hazır) mesajı çıkana kadar bekleyin.
 - Yazdırma veya harici aygıtlara veri yazma gibi diğer işlemler sırasında.

- Bu kılavuzda aksi belirtilmediği sürece yazıcının içindeki parçalara dokunmayın.
- Yazıcı üzerinde yer alan tüm uyarı ve talimatları izleyin.
- Yazıcının belgelerinde özel olarak açıklanmadığı sürece bu ürünü kendiniz servise almaya kalkışmayın.
- Fişi düzenli olarak prizden çekerek uçlarını temizleyin.
- Fişi yazıcı açıkken çekmeyin.
- Yazıcı uzun süre boyunca kullanılmayacaksa, fişi elektrik prizinden çekin.
- Yazıcıyı temizlemeden önce fişini prizden çekin.
- Temizlemek için iyice sıkılmış bir bez kullanın ve sıvı veya aerosollü temizlik maddeleri kullanmayın.
- Yazıcıyı taşıırken her zaman yatay konumda tutun.
- Sıkışan kağıdı zorlayarak çıkarmayın. Yırtılan kağıdın çıkarılması zordur ve başka kağıt sıkışmalarına yol açabilir. Cihazın düşerek yaralanmalara neden olmasını önlemek ve kağıdın yırtılmaması için kağıdı yavaşça ve düzgünce çekin.
- Fişi prizden çekerken elektrik kablosundan tutarak çekmeyin. Daima fişten tutarak çekmeye dikkat edin.
- Kesiklere neden olabileceğinden, kağıdın kenarının cildinize sürtünmesine izin vermeyin.
- Yazıcıyı taşımadan önce kapatın ve elektrik kablosunun fişini prizden çıkarın. Tüm kabloların bağlantısını kestiğinizden emin olun.

Sarf malzemelerinin kullanılması

- Patlayarak başkalarına zarar verebileceklerinden kullanılmış sarf malzemelerini yakmayın. Bunları yerel yönetmeliklere uygun olarak atın.
- Sarf malzemelerini çocukların ulaşamayacağı yerlerde saklamaya dikkat edin.
- Bir görüntüleme kartuşunu elinize aldığınızda her zaman temiz ve düz bir yüzeye koyun.
- Bir görüntüleme kartuşunda değişiklik yapmaya veya bu kartuşu parçalarına ayırmaya çalışmayın.
- Tonere dokunmayın. Toneri her zaman gözlerinizden uzak tutun. Toner gözünüze veya giysilerinize değerse, derhal sabun ve suyla yıkayın.

- ❑ Toner dökülürse temizlemek için süpürge ve faraş veya sabun ve suyla nemlendirilmiş bir bez kullanın. Küçük parçacıklar kıvılcım değđiğinde, yangına veya patlamaya neden olabileceğinden elektrikli süpürge kullanmayın.
- ❑ Bir görüntüleme kartuşunu serin bir ortamdan sıcak bir ortama taşıduğınızda yoğunlaşmadan oluşabilecek zararı önlemek için kullanmadan önce en az bir saat bekleyin.
- ❑ En iyi baskı kalitesini elde etmek için görüntüleme kartuşunu doğrudan güneş ışığına, toza, tuzlu havaya veya aşındırıcı gazlara (amonyum gibi) maruz kalan yerlerde saklamayın. Aşırı veya hızlı ısı veya nem değışikliklerinin olduğı yerlerden uzak tutun.
- ❑ Görüntüleme kartuşunu çıkarırken, kartuşu asla gün ışığına maruz bırakmayın ve beş dakikadan fazla oda ışığı altında tutmayın. Görüntüleme kartuşu ışığa duyarlı bir silindir içerir. Bu silindirin ışığa maruz kalması silindire zarar verebilir, yazdırılan sayfa üzerinde koyu veya açık alanlar kalmasına neden olur ve silindirin servis ömrünü kısaltır. Görüntüleme kartuşunu uzun süre yazıcının dışında tutmanız gerektiğinde üzerini ışık geçirmeyen bir kumaşla örtün.
- ❑ Silindir yüzeyini çizmemeye dikkat edin. Görüntüleme kartuşunu yazıcıdan çıkardığınız zaman, daima temiz, düz bir yüzey üzerine koyun. Cildinizin yağı silindir yüzeyine kalıcı hasar verebileceğı ve baskı kalitesini etkileyebileceğinden, silindire dokunmayın.

Güvenlik Bilgileri

Lazer güvenliğı etiketleri



Uyarı:

Yazıcı belgelerinde yer alanlar dışında farklı işlem ve ayarlamaların yapılması zararlı ışın yayılmasına neden olabilir. Yazıcınız IEC60825 teknik özelliklerinde tanımlandığı üzere Sınıf 1 lazer ürünüdür. Resimde gösterilen etiket, gerekli olan ülkelerde yazıcının arkasına yapıştırılır.



Dahili lazer radyasyonu

Yazıcı kafasında, görünmez bir lazer ışınına sahip olan Sınıf III b Lazer Diyot Grubudur. Yazıcı kafası BAKIMI YAPILABİLİR bir birim değildir ve bu nedenle, hiçbir koşulda açılmamalıdır. Yazıcının içine ilave bir lazer uyarı etiketi yapıştırılmıştır.



Ozon güvenliği

Ozon emisyonu

Lazer yazıcılar tarafından yazdırma işleminin bir yan ürünü olarak ozon gazı açığa çıkartılır. Ozon, yalnızca yazıcı yazdırırken üretilir.

Ozona maruz kalma sınırı

Epson lazer yazıcı kesintisiz çalışma boyunca 3 mg/h'den daha az ozon yayar.

Riski en aza indirin

Ozona maruz kalma riskini en aza indirmek için aşağıdaki durumlardan kaçınmalısınız:

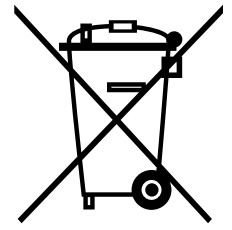
- Dar bir alanda çok sayıda lazer yazıcı kullanılması
- Aşırı derecede düşük nem koşullarında çalıştırılması
- Oda havalandırmasının yetersiz olması
- Yukarıdaki koşullardan herhangi birinde uzun süreli kesintisiz yazdırma

Yazıcının yeri

Yazıcı, açığa çıkan egzoz gazları ve ısı itibarıyla aşağıdaki koşulları karşılayan bir yere yerleştirilmelidir:

- ❑ Doğrudan kullanıcının yüzüne üflememelidir
- ❑ Mümkün olan her durumda doğrudan binanın dışına yönlendirilmelidir

Battery Addendum



English

The crossed out wheeled bin label that can be found on your product indicates that this product and incorporated batteries should not be disposed of via the normal household waste stream. To prevent possible harm to the environment or human health please separate this product and its batteries from other waste streams to ensure that it can be recycled in an environmentally sound manner. For more details on available collection facilities please contact your local government office or the retailer where you purchased this product. Use of the chemical symbols Pb, Cd or Hg indicates if these metals are used in the battery.

Deutsch

Der Aufkleber mit durchgekrenzter Mülltonne an diesem Produkt weist darauf hin, dass dieses Produkt und darin enthaltene Batterien nicht im normalen Hausmüll entsorgt werden dürfen. Zur Vermeidung einer möglichen Beeinträchtigung der Umwelt oder der menschlichen Gesundheit und um zu gewährleisten, dass es in einer umweltverträglichen Weise recycelt wird, darf dieses Produkt mitsamt den Batterien nicht in den Hausmüll gegeben werden. Informationen zu Entsorgungseinrichtungen erhalten Sie bei der zuständigen Behörde oder dem Händler, bei dem Sie dieses Produkt erworben haben. Die Angabe der chemischen Zeichen Pb, Cd oder Hg bedeutet, dass diese Metalle in der Batterie verwendet werden.

Français

L'étiquette apposée sur ce produit et représentant une poubelle barrée indique que le produit et les piles intégrées ne peuvent être mis au rebut avec les déchets domestiques normaux. Afin d'éviter d'éventuels dommages au niveau de l'environnement ou sur la santé, veuillez séparer ce produit et ses piles des autres déchets de manière à garantir qu'ils soient recyclés de manière sûre au niveau environnemental. Pour plus de détails sur les sites de collecte existants, veuillez contacter l'administration locale ou le détaillant auprès duquel vous avez acheté ce produit. Les symboles chimiques Pb, Cd et Hg sont utilisés pour désigner les métaux présents dans les piles.

Italiano

L'etichetta con il contenitore barrato applicata sull'imballo indica che il prodotto e le batterie incluse non devono essere smaltiti tramite la procedura normale di smaltimento dei rifiuti domestici. Per evitare eventuali danni all'ambiente e alla salute umana, separare questo prodotto e le relative batterie da altri rifiuti domestici in modo che possano essere riciclati in base alle procedure di rispetto dell'ambiente. Per maggiori dettagli sulle strutture di raccolta disponibili, contattare l'ufficio competente del proprio comune o il rivenditore del prodotto. L'uso dei simboli chimici Pb, Cd o Hg indica la presenza di tali metalli nelle batterie.

Español

La etiqueta de un contenedor tachado que hallará en su producto indica que este producto y sus pilas no se pueden tirar con la basura doméstica normal. Para impedir posibles daños medioambientales o para la salud, separe este producto y sus pilas de otros canales de desecho para garantizar que se recicle de una forma segura para el medio ambiente. Para más información sobre las instalaciones de recolección disponibles, diríjase a las autoridades locales o al punto de venta donde adquirió este producto. Los símbolos químicos Pb, Cd o Hg indican que las pilas contienen ese metal.

Português

A etiqueta com o símbolo de um contentor de lixo traçado com uma cruz que aparece no produto indica que este produto e as pilhas incluídas não devem ser deitados fora juntamente com o lixo doméstico. Para evitar possíveis danos no ambiente ou na saúde pública, por favor separe este produto e respectivas pilhas de outros lixos; desta forma, terá a certeza de que podem ser reciclados através de métodos não prejudiciais ao ambiente. Para obter mais informações sobre os locais de recolha de lixo disponíveis, contacte a sua junta de freguesia, câmara municipal ou local onde comprou este produto. A utilização dos símbolos químicos Pb, Cd ou Hg indica se estes metais são utilizados na pilha.

Nederlands

Op uw product is een label van een rolcontainer met een kruis erdoor aangebracht. Dit label wil zeggen dat dit product en de batterijen in het product niet bij het normale huishoudelijk afval mogen worden ingezameld. Om eventuele schade aan het milieu of de gezondheid van de mens te voorkomen moeten dit product en de batterijen gescheiden van al het ander afval worden ingezameld, zodat alles op een verantwoorde wijze kan worden verwerkt. Voor meer informatie over uw lokale afvalinzameling wendt u zich tot uw gemeente of de leverancier bij wie u dit product hebt gekocht. Gebruik van de chemische symbolen Pb, Cd of Hg geeft aan of deze metalen worden gebruikt in de batterij.

Dansk

Etiketten med et kryds over skraldespanden på hjul, der sidder på produktet, angiver, at dette produkt og dets batterier ikke må bortskaffes sammen med almindeligt husholdningsaffald. For at beskytte miljø og helbred skal dette produkt og dets batterier bortskaffes separat, så disse dele kan genbruges på en måde, der er god for miljøet. Kontakt de lokale myndigheder eller den forhandler, hos hvem du har købt produktet, vedrørende steder, hvor du kan aflevere produktet. Brugen af de kemiske symboler Pb, Cd eller Hg angiver, om disse metaller er anvendt i batteriet.

Suomi

Laitte on merkitty jäteastia-symbolilla, jonka yli on vedetty rasti. Tämä tarkoittaa, ettei laitetta tai siihen kuuluvia paristoja saa hävittää normaalin talousjätteen mukana. Älä hävitä laitetta tai sen paristoja normaalin jätteen seassa vaan varmista, että laite kierrätetään ympäristöystävällisellä tavalla, jottei ympäristölle tai ihmisille aiheudu vahinkoa. Lisätietoja kierrätyksestä ja keräyspisteistä saa ottamalla yhteyttä paikallisiin viranomaisiin tai jälleenmyyjään, jolta laite ostettiin. Kemiallisten merkien Pb (lyijy), Cd (kadmium) tai Hg (elohopea) käyttö ilmaisee, että paristo sisältää kyseistä metallia.

Svenska

Symbolen med en överkorsad soptunna innebär att denna produkt och tillhörande batterier inte får kastas i vanligt hushållsavfall. För att skydda miljön ska denna produkt och dess batterier inte kastas tillsammans med vanligt hushållsavfall utan lämnas för återvinning på tillbörligt sätt. För mer information om uppsamlingsplatser kontakta din lokala myndighet eller den återförsäljare där du har köpt produkten. De kemiska symbolerna Pb, Cd eller Hg visar om dessa metaller används i batteriet.

Norsk

Etiketten på hjulbeholderen på produktet ditt antyder at produktet og batteriene som hører med, ikke skal avhendes sammen med vanlig husholdningsavfall. Hold produktet og batteriene atskilt fra annet avfall, slik at det kan resirkuleres på en miljømessig og forsvarlig måte og dermed forhindre eventuell skade på miljø eller helse. Kontakt lokale myndigheter, eller din forhandler, for mer informasjon angående avhenting av produktet. De kjemiske symbolene Pb, Cd og Hg antyder om disse metallene har blitt brukt i batteriet.

Česky

Štítek s přeškrtnutým odpadkovým košem na kolečkách, který lze nalézt na výrobku, označuje, že se tento výrobek a přiložené baterie nemají likvidovat s běžným domovním odpadem. V zájmu ochrany životního prostředí a lidského zdraví zlikvidujte tento výrobek a jeho baterie jako tříděný odpad, který se recykluje způsobem šetrným k životnímu prostředí. Podrobnější informace o sběrných dvorech pro tříděný odpad získáte na obecním úřadě nebo u prodejce, u kterého jste tento výrobek zakoupili. Použité chemické značky Pb, Cd nebo Hg označují, zda baterie obsahuje tyto kovy.

Magyar

A terméken található, áthúzott szemetest ábrázoló címke azt jelzi, hogy ezt a terméket és a hozzá tartozó elemeket nem szabad a rendes háztartási szeméttel együtt kidobni. Az esetleges környezeti- vagy egészségkárosodást megelőzendő, kérjük, hogy ezt a terméket és az elemeket a többi szeméttől elkülönítve helyezze el, és biztosítsa, hogy azt környezetbarát módon újrahasznosítsák. A rendelkezésére álló begyűjtő létesítményekről kérjük tájékozódjon a megfelelő helyi állami szerveknél vagy a viszonteladónál, ahol a terméket vásárolta. A Pb, Cd vagy Hg vegyjelek jelzik, ha ilyen fémeket is felhasználtak az elem gyártása során.

Polski

Symbol przekreślonego kosza znajdujący się na produkcie oznacza, że nie można produktu oraz wewnętrzznego akumulatora utylizować razem z normalnymi odpadami z gospodarstwa domowego. Aby zapobiec potencjalnemu zagrożeniu dla środowiska lub zdrowia ludzkiego, produkt oraz wewnętrzny akumulator należy odseparować od reszty odpadów z gospodarstwa domowego i utylizować w ekologicznie właściwy sposób. Szczegółowe informacje na temat punktów zbiórki odpadów można uzyskać w lokalnych urzędach lub u sprzedawcy danego produktu. Symbole chemiczne Pb, Cd lub Hg oznaczają, że metale te zostały zastosowane w akumulatorze.

Slovensky

Štítok s preškrtnutým odpadkovým košom na kolieskach, ktorý je možné nájsť na výrobku, označuje, že tento produkt a obsiahnuté batérie sa nemajú likvidovať s bežným komunálnym odpadom. V záujme ochrany životného prostredia a ľudského zdravia zlikvidujte tento výrobok a batérie ako triedený odpad, ktorý sa recykluje spôsobom šetrným k životnému prostrediu. Podrobnejšie informácie o zberných dvoroch pre triedený odpad získate na obecnom úrade alebo u predajcu, u ktorého ste príslušný výrobok zakúpili. Použitie chemických značiek Pb, Cd alebo Hg znamená, že tieto kovy sú použité v batériách.

Slovenski

Prečrtan koš za smeti na etiketi, katero lahko najdete na vašem izdelku, pomeni, da niti tega izdelka niti njegovih baterij ne smete odvreči podobno kot vse ostale smeti. Da bi preprečili morebitne škodljive vplive na okolje ali zdravje, ločite izdelek in njegove baterije od vseh ostalih odpadkov in poskrbite, da bodo reciklirani na okolju prijazen način. Natančne informacije o tem, kje se nahajajo primerna odlagališča, pridobite v vašem krajevnem uradu ali pri prodajalcu. Kemijski simboli Pb, Cd in Hg označujejo, katere kovine vsebuje baterija.

Eesti

Teie tootele kleebitud tähis, mis kujutab ratastega prügikonteinerit, millele on rist peale tõmmatud, keelab toote ja sellega kaasasolevate patareide kõrvaldamise majapidamisjäätmetega sarnasel viisil. Keskkonnale või inimeste tervisele tekitava võimaliku kahju vältimiseks eraldage toode ja selle patareid teistest jäätmetest, et tagada nende korduvkasutamise keskkonnasäästlikul viisil. Kui soovite saada rohkem teavet võimalike kogumispunktide kohta, võtke ühendust kohaliku omavalituse ametnikuga või teile toote müünud jaemüüjaga. Keemiliste sümbolite Pb, Cd või Hg kasutamise näitab, kas tootes on vastavaid metalle kasutatud.

Lietuviškai

Užbraukta ratuota šiukšliadėžės etiketė, kurią rasite ant jūsų produkto, reiškia, kad šis produktas ir pridedamos baterijos neturėtų būti išmestas kartu su įprastinėmis buitinėmis šiukšlėmis. Siekiant išvengti galimos žalos aplinkai bei žmonių sveikatai, prašome atskirti šį produktą ir pridedamas baterijas nuo kitų atliekų, ir įsitikinti, kad jis būtų perdirbtas aplinkai nepavojingu būdu. Jei reikia išsamesnės informacijos apie atliekų surinkimo ypatumus, prašome kreiptis į savo vietos valdžios įstaigas arba į mažmeninį pardavėją, iš kurio jūs įsigijote šį produktą. Atitinkamų metalų naudojimas baterijose yra pažymėtas cheminiais simboliais Pb, Cd arba Hg ant baterijų.

Latviski

Marķējums ar pārsvītrotu atkritumu tvertni uz ritenīšiem, kas redzams uz izstrādājuma, norāda, ka šo izstrādājumu un tajā iekļautās baterijas nedrīkst likvidēt kopā ar parastajiem sadzīves atkritumiem. Lai novērstu iespējamo kaitējumu videi vai cilvēku veselībai, lūdzu, atdaliet šo izstrādājumu un tā baterijas no citiem atkritumiem, tādējādi nodrošinot tā otrreizējo pārstrādi videi drošā veidā. Papildinformācijai par pieejamajām atkritumu savākšanas iespējām, lūdzu, sazinieties ar vietējo pašvaldību vai mazumtirgotāju, no kura jūs iegādājāties šo izstrādājumu. Ķīmisko simbolu Pb, Cd un Hg izmantošana uz marķējuma nozīmē, ka šie metāli ir izmantoti baterijā.

Ελληνικά

Η διαγραμμένη ετικέτα του τροχοφόρου κάδου απορριμμάτων που θα βρείτε πάνω στο προϊόν σας υποδεικνύει ότι αυτό το προϊόν και οι ενσωματωμένες μπαταρίες δεν πρέπει να απορρίπτεται μέσω του κανονικού δικτύου αποκομιδής οικιακών απορριμμάτων. Για να αποτρέψετε πιθανές επιπτώσεις στο περιβάλλον ή την ατομική υγεία, παρακαλούμε να διαχωρίσετε αυτό το προϊόν και τις μπαταρίες του από άλλα δίκτυα αποκομιδής ώστε να διασφαλίσετε ότι είναι δυνατή η ανακύκλωσή του με έναν περιβαλλοντικά θεμιτό τρόπο. Για περισσότερες πληροφορίες σχετικά με τις διαθέσιμες δυνατότητες συλλογής απορριμμάτων, παρακαλούμε να επικοινωνήσετε με την τοπική κυβερνητική αρχή ή το κατάστημα λιανικής από όπου αγοράσατε αυτό το προϊόν. Η χρήση των χημικών συμβόλων Pb, Cd ή Hg υποδεικνύει εάν χρησιμοποιούνται τα μέταλλα αυτά στην μπαταρία.

Türkçe

Ürününüzün üzerinde bulunan çarpi işaretli tekerlekli kutu etiketi, bu ürünün ve beraberinde gelen pillerin normal ev atık sistemi vasıtasıyla elden çıkarılmaması gerektiğini gösterir. Çevreye ve insan sağlığına zarar vermeyei önlemek için, lütfen bu ürünü ve pillerini çevreye zarar vermeyecek şekilde geri dönüşüme tabi tutulmak üzere diğer atıklardan ayırın. Mevcut toplama tesisleri ile ilgili ayrıntılı bilgi edinmek için, yerel devlet makamlarıyla veya bu ürünü satın aldığınız satıcıyla irtibata geçin. Pb, Cd veya Hg kimyasal sembollerinin kullanılması, bu metallerin pillerin üretiminde kullanılıp kullanılmadığını ifade eder.

Română

Eticheta arătând un coș de gunoi tăiat cu două linii încrucișate, care poate fi găsită pe produs, indică faptul că acesta și bateriile încorporate nu trebuie aruncate la gunoi laolaltă cu gunoiul menajer. Pentru a evita posibila degradare a mediului înconjurător sau a sănătății umane, colectați separat acest produs și bateriile încorporate și nu împuneă cu gunoiul menajer pentru a vă asigura că acestea pot fi reciclate într-un mod ecologic. Pentru mai multe detalii privind punctele disponibile de colectare, contactați autoritățile locale sau comerciantul de la care ați achiziționat acest produs. Utilizarea simbolurilor unor substanțe chimice precum Pb, Cd sau Hg indică faptul că aceste metale sunt utilizate în baterie.

Български

Етикетът, представляващ зачертано кошче за боклук в кръг, който можете да видите върху вашия продукт, означава, че този продукт и батериите към него не трябва да се изхвърлят заедно с обикновените домакински отпадъци. За предпазване от евентуални щети върху околната среда или човешкото здраве, моля, отделете този продукт и батериите му от останалите отпадъци, за да се гарантира, че той ще бъде рециклиран по екологично съобразен начин. За повече информация относно наличните места за събиране на отпадъци, моля, свържете се с местните власти или търговеца, от когото сте закупили този продукт. Химическите символи Pb, Cd и Hg посочват дали съответните метали са използвани в батерията.

This information only applies to customers in the European Union, according to DIRECTIVE 2006/66/EC OF THE EUROPEAN PARLIAMENT AND OF THE COUNCIL OF 6 September 2006 on batteries and accumulators and waste batteries and accumulators and repealing Directive 91/157/EEC and legislation transposing and implementing it into the various national legal systems.

For other countries, please contact your local government to investigate the possibility of recycling your product.

Navodila za varno uporabo

Opozorila, svarila in opombe

**Opozorila**

morajo biti upoštevana, da se izognete telesnim poškodbam.

**Svarila**

morajo biti upoštevana, da ne poškodujete svoje opreme.

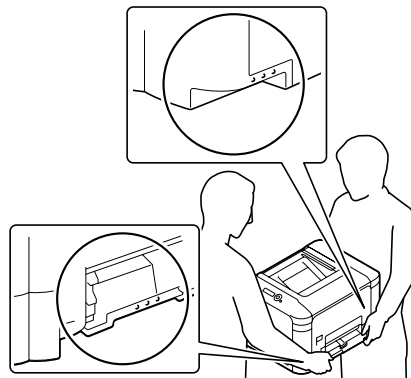
Opombe

vsebujejo pomembne informacije in koristne namige za uporabo vašega tiskalnika.

Pomembna varnostna navodila

Nastavljanje tiskalnika

- Tiskalnik z nameščenim potrošnim materialom tehta približno 27 kg, zato ga nikoli ne dvigujte ali nosite sami. Tiskalnik naj prenašata dve osebi tako; da ga dvignita pravilno na mestih, ki so prikazana spodaj.



- Če vtikača ne morete vstaviti v vtičnico, se posvetujte z električarjem.

- Prepričajte se, da je električni kabel skladen z lokalnim varnostnimi standardi. Uporabljajte samo priloženi napajalni kabel. Uporaba drugega napajalnega kabla poveča tveganje za nastanek požara ali električnega udara. Napajalni kabel tega izdelka je namenjen samo za uporabo s tem izdelkom. Uporaba z drugo opremo lahko poveča tveganje za nastanek požara ali električnega udara.
- Če je vtikač poškodovan, zamenjate kabel ali se posvetujte s kvalificiranim električarjem. Če so v vtikaču varovalke, se prepričajte, da ste jih zamenjali z varovalkami pravilne velikosti in nazivne vrednosti.
- Uporabite ozemljeno električno vtičnico, ki se ujema z vtičem napajalnega kabla tiskalnika. Ne uporabljajte adapterja za vtič.
- Ne uporabljajte električne vtičnice, ki jo nadzira stensko stikalo ali regulator samodejnega izklopa. Nenamerna prekinitev napajanja lahko izbriše dragocene podatke v pomnilniku vašega računalnika in tiskalnika.
- Poskrbite, da na vtičnici ni prahu.
- Poskrbite, da vstavite vtikač v celoti v vtičnico.
- Vtikača se ne dotikajte z mokrimi rokami.
- Izključite tiskalnik iz vtičnice in zaupajte popravilo usposobljenim serviserjem, v naslednjih primerih:
 - A. Ne uporabljajte električnega kabla, ki je poškodovan.
 - B. Če ste ga polili s tekočino.
 - C. Če je naprava prišla v stik z dežjem ali vodo.
 - D. Naprava ne deluje pravilno, kljub upoštevanju vseh navodil za uporabo. Prilagodite samo tiste kontrolnike, ki jih navajajo navodila za uporabo, ker lahko nepravilna prilagoditev drugih krmilnikov povzroči škodo, ki lahko zahteva popravilo, ki ga mora izvesti usposobljen tehnik, da povrne izdelek v delovno stanje.
 - E. Naprava je padla na tla oziroma je poškodovana.
 - F. Če opazite velik padec zmogljivostjo, ki lahko zahteva servisno popravilo.
- Izogibajte se uporabi vtičnic, na katere so priklopljeni tudi drugi aparati.
- Vso opremo priključite na ustrezno ozemljene omrežne vtičnice. Izogibajte se uporabi vtičnic na tokokrogu, ki ga uporablja tudi fotokopirni stroj ali klimatska naprava, ki se redno vklaplja in izklaplja.

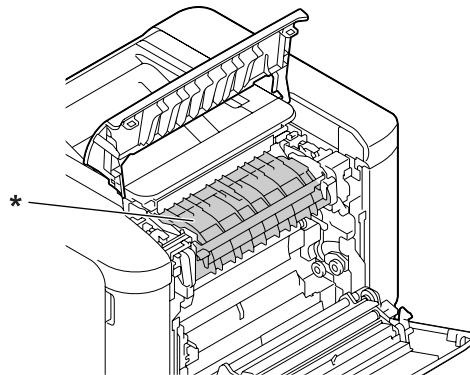
- Uporabite zidno električno vtičnico, ki lahko ustreza zahtevam tiskalnika. Zahteve za električno napajanje so navedene na nalepki, ki je prilepljena na tiskalnik. Če niste prepričani, katera vrsto napajanja je potrebna, se posvetujte z lokalnim podjetjem za distribucijo električne energije.
- Če za napajanje uporabljate podaljšek, zagotovite, da električni tok (vrednost v amperih) vseh naprav, priključenih na podaljšek, ne presega dovoljene vrednosti za podaljšek.
- Ko boste priklapljali ta izdelek na računalnik ali kako drugo napravo s kablom, zagotovite, da bodo priključki usmerjeni pravilno. Vsak priključek lahko priključite samo na en način. Vstavljanje priključka nepravilno lahko poškoduje obe napravi, ki sta povezani s kablom.
- Če uporabljate dodatno enoto s kaseto za papir, obvezno pravilno namestite zatiče za določitev položaja. Navodila za namestitev zatičev za določitev položaja najdete v dokumentu User's Guide.

Izbira prostora, kjer boste postavili tiskalnik

- Tiskalnik postavite na mesto, kjer boste lahko brez težav priklopili in odklopili napajalni kabel.
- Tiskalnika ne postavljajte na mesto, kjer lahko kdo pohodi napajalni kabel.
- Papirja ne shranjujte v vlažnem prostoru.
- Izogibajte se mestom, ki so izpostavljeni neposredni sončevi svetlobi, pretirani vročini, vlagi, hlapom ali prahu.
- Tiskalnika ne postavljajte na nestabilne podlage.
- Reže in odprtine na hrbtni in spodnji strani na ohišju so namenjene prezračevanju. Ne blokirajte ali pokrivajte odprtin za prezračevanje. Ne postavljajte tiskalnika na posteljo, kavč, preprogo, tepih ali podobno površino, če prej niste zagotovili primerne prezračevanja.
- Celotni sistem računalnika in tiskalnika naj bo čim dlje od morebitnih virov motenj, kot so zvočniki ali bazne postaje brezvrvičnih telefonov.
- Okoli tiskalnika pustite dovolj prostora za prezračevanje.

Uporaba tiskalnika

- ❑ Pazite, da se ne dotaknete talilnika, ki je označen z opozorilom za visoko temperaturo **CAUTION**, ali območij v njegovi neposredni bližini. Če tiskalnik uporabljate dlje, lahko talilnik (talina valja) in okolica postane zelo vroča. Če se morate dotakniti teh področij, počakajte vsaj 40 minut, da se tiskalnik vsaj nekoliko ohladi.



* CAUTION

- ❑ Ne vstavljajte roke v globoko notranjosti talilne enote, da se ne poškodujete, ker so nekateri deli ostri.
- ❑ V nobenem primeru ne potiskajte predmetov skozi prezračevalne odprtine na ohišju, ker se lahko dotaknejo mest, ki so pod napetostjo, ki je lahko nevarna ali povzročijo kratek stik, kar poveča možnost za nastanek požara ali električnega udara.
- ❑ Na sedite ali se naslanjajte na tiskalnik. Na tiskalnik ne postavljajte težkih predmetov.
- ❑ Ne uporabljajte kakršnih koli vnetljivih plinov v tiskalniku ali njegovi bližini.
- ❑ Nikoli ne vstavljajte komponent tiskalnika na silo. Čeprav je tiskalnik zasnovan trdno, ga grobo ravnanje lahko poškoduje.
- ❑ Pazite, da zataknjenega papirja ne pozabite v tiskalniku. To lahko povzroči pregrevanje tiskalnika.
- ❑ Pazite, da tiskalnika ne polijete s kakršnokoli tekočino.
- ❑ Prilagodite samo tiste krmilnike, ki so opisani v navodilih za uporabo. Nepravilne nastavitve drugih krmilnikov lahko povzročijo škodo ali okvaro, ki zahteva popravilo s strani usposobljenega serviserja.

- Tiskalnika ne izklaplajte:
 - Po vklopu počakajte, da se na zaslonu LCD izpiše Ready.
 - Med tiskanjem ali drugimi postopki, na primer med zapisovanjem podatkov v zunanje naprave.
- Ne dotikajte se komponent v notranjosti tiskalnika, razen če to zahtevajo ta navodila.
- Upoštevajte vsa opozorila in navodila, ki so označena na tiskalniku.
- Tega izdelka ne poskušajte popravljati sami, razen v primerih, ki so posebej opisani v dokumentaciji tiskalnika.
- Občasno izvlecite vtikač iz vtičnice in očistite konektorje.
- Vtikača ne izklaplajte, dokler je tiskalnik vključen.
- Če tiskalnika ne boste uporabljali dlje časa, izvlecite vtikač iz vtičnice.
- Pred čiščenjem tiskalnika izvlecite vtikač iz vtičnice.
- Za čiščenje uporabite čisto, suho krpo in ne uporabljajte tekočih ali aerosolnih čistil.
- Med prenašanjem naj bo tiskalnik vedno v vodoravnem položaju.
- Zataknjenega papirja ne odstranjujte na silo. Strgan papir je težko odstraniti in je lahko vzrok za druga zagodenja papirja. Papir povlecite nežno in enakomerno, da preprečite trganje ali padec, ki bi vas lahko poškodoval.
- Vtiča ne izklaplajte tako, da vlečete za kabel. Pri izklapljanju vedno primite za vtič.
- Pazite, da robovi papirja ne drsijo po vaši koži, saj vas lahko porežejo.
- Pri prevažanju tiskalnik izklopite in odklopite napajalni kabel iz električne vtičnice. Ne pozabite odklopiti vseh kablov.

Ravnanje s potrošnim materialom

- Porabljenega potrošnega materiala ne sežigajte, saj lahko eksplodira in koga poškoduje. Odvrzite v skladu z lokalnimi predpisi.
- Potrošni material hranite izven dosega otrok.
- Med delom s kartušo tonerja, le-to vedno postavite na čisto in gladko površino.
- Kartuse s tonerjem ne poskušajte odpirati ali popravljati.
- Ne dotikajte se tonerja. Toner držite čim dlje od svojih oči. Če pride toner v stik s kožo ali obleko, ga takoj sperite z milom in vodo.

- ❑ Če toner stresete na tla, uporabite metlo in smetišnico ali vlažno krpo namočeno v milnici, da tla očistite. Ker fini delci lahko povzročijo požar ali eksplozijo, če pridejo v stik z iskro, za čiščenje ne smete uporabljati sesalnika.
- ❑ Če ste kartušo s tonerjem prinesli iz hladnega v ogret prostor, počakajte vsaj eno uro, preden jo namestite, da preprečite morebitne poškodbe zaradi kondenzacije.
- ❑ Da dosežete najboljšo kakovost tiska, kartuše ne hranite v prostoru, ki je izpostavljen neposredni sončevi svetlobi, prahu, slanemu zraku ali korozivnim plinom (kot je amonijak). Izogibajte se prostorom, kjer se temperatura ali vlažnost pretirano ali hitro spreminjata.
- ❑ Ko boste menjali kartušo, pazite, da je ne izpostavite sončevi svetlobi ali razsvetljavi v prostoru dlje kot pet minut. Kartuša vsebuje boben, ki je občutljiv na svetlobo. Če ga izpostavite sončni svetlobi, lahko poškodujete boben, kar povzroči temne ali svetle lise na natisnjeni strani in zmanjša življenjsko dobo bobna. Če morate kartušo vzeti iz tiskalnika za daljši čas, jo pokrijte z neprosojno tkanino.
- ❑ Pazite, da ne opraskate površine bobna. Ko kartušo vzamete ven, jo vedno postavite na čisto in gladko površino. Pazite, da se ne dotaknete bobna, ker olje na vaši koži lahko trajno poškoduje površino in tako vpliva na kakovost tiskanja.

Varnostne informacije

Varnostne nalepke za laser



Opozorilo:

Postopki in prilagoditve izdelka, ki niso navedeni v tiskalnikovi dokumentaciji, lahko povzročijo izpostavljenost nevarnemu sevanju. Vaš tiskalnik je laserski izdelek 1. razreda, kot je definirano v specifikacijah IEC60825. Spodnja nalepka je prilepljena na hrbtni strani tiskalnika v državah, kjer to zahtevajo predpisi.



Notranje lasersko sevanje

V notranjosti tiskalne glave je nameščen sklop z lasersko diodo razreda III b, ki oddaja nevidni laserski žarek. Glava tiskalnika ni namenjena popravilu, torej, glave tiskalnika ne smete odpirati v nobenem primeru. V notranjosti tiskalnika je prilepljena dodatna opozorilna nalepka za laser.



Varovanje ozona

Ozonski izpusti

Laserski tiskalniki proizvajajo ozon, kot stranski proizvod postopka tiskanja. Ozon nastaja samo, ko tiskalnik tiska.

Mejna vrednost izpostavljenosti ozonu

Laserski tiskalnik Epson tvori pri neprekinjenem tiskanju manj kot 3 mg/h ozona.

Kako zmanjšati tveganje?

Da zmanjšate tveganja zaradi izpostavljenosti ozonu, se izogibajte naslednjemu:

- Uporaba več laserskih tiskalnikov v zaprtem prostoru.
- Delovanje v okoljih z izjemno nizko vlažnostjo.
- Sobe z zelo slabim prezračevanjem.
- Daljše in nepretrgano tiskanje skupaj z naštetim zgoraj.

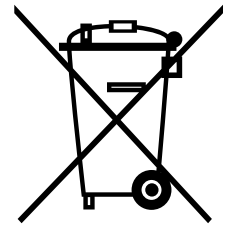
Postavitev tiskalnika

Tiskalnik postavite tako, da izpustni plini in vročina:

- Nista neposredno usmerjeni v obraz uporabnika.

- Prezračeni in speljani ven iz stavbe, kjerkoli je to mogoče.

Battery Addendum



English

The crossed out wheeled bin label that can be found on your product indicates that this product and incorporated batteries should not be disposed of via the normal household waste stream. To prevent possible harm to the environment or human health please separate this product and its batteries from other waste streams to ensure that it can be recycled in an environmentally sound manner. For more details on available collection facilities please contact your local government office or the retailer where you purchased this product. Use of the chemical symbols Pb, Cd or Hg indicates if these metals are used in the battery.

Deutsch

Der Aufkleber mit durchgekrenzter Mülltonne an diesem Produkt weist darauf hin, dass dieses Produkt und darin enthaltene Batterien nicht im normalen Hausmüll entsorgt werden dürfen. Zur Vermeidung einer möglichen Beeinträchtigung der Umwelt oder der menschlichen Gesundheit und um zu gewährleisten, dass es in einer umweltverträglichen Weise recycelt wird, darf dieses Produkt mitsamt den Batterien nicht in den Hausmüll gegeben werden. Informationen zu Entsorgungseinrichtungen erhalten Sie bei der zuständigen Behörde oder dem Händler, bei dem Sie dieses Produkt erworben haben. Die Angabe der chemischen Zeichen Pb, Cd oder Hg bedeutet, dass diese Metalle in der Batterie verwendet werden.

Français

L'étiquette apposée sur ce produit et représentant une poubelle barrée indique que le produit et les piles intégrées ne peuvent être mis au rebut avec les déchets domestiques normaux. Afin d'éviter d'éventuels dommages au niveau de l'environnement ou sur la santé, veuillez séparer ce produit et ses piles des autres déchets de manière à garantir qu'ils soient recyclés de manière sûre au niveau environnemental. Pour plus de détails sur les sites de collecte existants, veuillez contacter l'administration locale ou le détaillant auprès duquel vous avez acheté ce produit. Les symboles chimiques Pb, Cd et Hg sont utilisés pour désigner les métaux présents dans les piles.

Italiano

L'etichetta con il contenitore barrato applicata sull'imballo indica che il prodotto e le batterie incluse non devono essere smaltiti tramite la procedura normale di smaltimento dei rifiuti domestici. Per evitare eventuali danni all'ambiente e alla salute umana, separare questo prodotto e le relative batterie da altri rifiuti domestici in modo che possano essere riciclati in base alle procedure di rispetto dell'ambiente. Per maggiori dettagli sulle strutture di raccolta disponibili, contattare l'ufficio competente del proprio comune o il rivenditore del prodotto. L'uso dei simboli chimici Pb, Cd o Hg indica la presenza di tali metalli nelle batterie.

Español

La etiqueta de un contenedor tachado que hallará en su producto indica que este producto y sus pilas no se pueden tirar con la basura doméstica normal. Para impedir posibles daños medioambientales o para la salud, separe este producto y sus pilas de otros canales de desecho para garantizar que se recicle de una forma segura para el medio ambiente. Para más información sobre las instalaciones de recolección disponibles, diríjase a las autoridades locales o al punto de venta donde adquirió este producto. Los símbolos químicos Pb, Cd o Hg indican que las pilas contienen ese metal.

Português

A etiqueta com o símbolo de um contentor de lixo traçado com uma cruz que aparece no produto indica que este produto e as pilhas incluídas não devem ser deitados fora juntamente com o lixo doméstico. Para evitar possíveis danos no ambiente ou na saúde pública, por favor separe este produto e respectivas pilhas de outros lixos; desta forma, terá a certeza de que podem ser reciclados através de métodos não prejudiciais ao ambiente. Para obter mais informações sobre os locais de recolha de lixo disponíveis, contacte a sua junta de freguesia, câmara municipal ou local onde comprou este produto. A utilização dos símbolos químicos Pb, Cd ou Hg indica se estes metais são utilizados na pilha.

Nederlands

Op uw product is een label van een rolcontainer met een kruis erdoor aangebracht. Dit label wil zeggen dat dit product en de batterijen in het product niet bij het normale huishoudelijk afval mogen worden ingezameld. Om eventuele schade aan het milieu of de gezondheid van de mens te voorkomen moeten dit product en de batterijen gescheiden van al het ander afval worden ingezameld, zodat alles op een verantwoorde wijze kan worden verwerkt. Voor meer informatie over uw lokale afvalinzameling wendt u zich tot uw gemeente of de leverancier bij wie u dit product hebt gekocht. Gebruik van de chemische symbolen Pb, Cd of Hg geeft aan of deze metalen worden gebruikt in de batterij.

Dansk

Etiketten med et kryds over skraldespanden på hjul, der sidder på produktet, angiver, at dette produkt og dets batterier ikke må bortskaffes sammen med almindeligt husholdningsaffald. For at beskytte miljø og helbred skal dette produkt og dets batterier bortskaffes separat, så disse dele kan genbruges på en måde, der er god for miljøet. Kontakt de lokale myndigheder eller den forhandler, hos hvem du har købt produktet, vedrørende steder, hvor du kan aflevere produktet. Brugen af de kemiske symboler Pb, Cd eller Hg angiver, om disse metaller er anvendt i batteriet.

Suomi

Laitte on merkitty jäteastia-symbolilla, jonka yli on vedetty rasti. Tämä tarkoittaa, ettei laitetta tai siihen kuuluvia paristoja saa hävittää normaalin talousjätteen mukana. Älä hävitä laitetta tai sen paristoja normaalin jätteen seassa vaan varmista, että laite kierrätetään ympäristöystävällisellä tavalla, jottei ympäristölle tai ihmisille aiheudu vahinkoa. Lisätietoja kierrätyksestä ja keräyspisteistä saa ottamalla yhteyttä paikallisiin viranomaisiin tai jälleenmyyjään, jolta laite ostettiin. Kemiallisten merkien Pb (lyijy), Cd (kadmium) tai Hg (elohopea) käyttö ilmaisee, että paristo sisältää kyseistä metallia.

Svenska

Symbolen med en överkorsad soptunna innebär att denna produkt och tillhörande batterier inte får kastas i vanligt hushållsavfall. För att skydda miljön ska denna produkt och dess batterier inte kastas tillsammans med vanligt hushållsavfall utan lämnas för återvinning på tillbörligt sätt. För mer information om uppsamlingsplatser kontakta din lokala myndighet eller den återförsäljare där du har köpt produkten. De kemiska symbolerna Pb, Cd eller Hg visar om dessa metaller används i batteriet.

Norsk

Etiketten på hjulbeholderen på produktet ditt antyder at produktet og batteriene som hører med, ikke skal avhendes sammen med vanlig husholdningsavfall. Hold produktet og batteriene atskilt fra annet avfall, slik at det kan resirkuleres på en miljømessig og forsvarlig måte og dermed forhindre eventuell skade på miljø eller helse. Kontakt lokale myndigheter, eller din forhandler, for mer informasjon angående avhenting av produktet. De kjemiske symbolene Pb, Cd og Hg antyder om disse metallene har blitt brukt i batteriet.

Česky

Štítek s přeškrtnutým odpadkovým košem na kolečkách, který lze nalézt na výrobku, označuje, že se tento výrobek a přiložené baterie nemají likvidovat s běžným domovním odpadem. V zájmu ochrany životního prostředí a lidského zdraví zlikvidujte tento výrobek a jeho baterie jako tříděný odpad, který se recykluje způsobem šetrným k životnímu prostředí. Podrobnější informace o sběrných dvorech pro tříděný odpad získáte na obecním úřadě nebo u prodejce, u kterého jste tento výrobek zakoupili. Použité chemické značky Pb, Cd nebo Hg označují, zda baterie obsahuje tyto kovy.

Magyar

A terméken található, áthúzott szemetest ábrázoló címke azt jelzi, hogy ezt a terméket és a hozzá tartozó elemeket nem szabad a rendes háztartási szeméttel együtt kidobni. Az esetleges környezeti- vagy egészségkárosodást megelőzendő, kérjük, hogy ezt a terméket és az elemeket a többi szeméttől elkülönítve helyezze el, és biztosítsa, hogy azt környezetbarát módon újrahasznosítsák. A rendelkezésére álló begyűjtő létesítményekről kérjük tájékozódjon a megfelelő helyi állami szerveknél vagy a viszonteladónál, ahol a terméket vásárolta. A Pb, Cd vagy Hg vegyjelek jelzik, ha ilyen fémeket is felhasználtak az elem gyártása során.

Polski

Symbol przekreślonego kosza znajdujący się na produkcie oznacza, że nie można produktu oraz wewnętrzznego akumulatora utylizować razem z normalnymi odpadami z gospodarstwa domowego. Aby zapobiec potencjalnemu zagrożeniu dla środowiska lub zdrowia ludzkiego, produkt oraz wewnętrzny akumulator należy odseparować od reszty odpadów z gospodarstwa domowego i utylizować w ekologicznie właściwy sposób. Szczegółowe informacje na temat punktów zbiórki odpadów można uzyskać w lokalnych urzędach lub u sprzedawcy danego produktu. Symbole chemiczne Pb, Cd lub Hg oznaczają, że metale te zostały zastosowane w akumulatorze.

Slovensky

Štítok s preškrtnutým odpadkovým košom na kolieskach, ktorý je možné nájsť na výrobku, označuje, že tento produkt a obsiahnuté batérie sa nemajú likvidovať s bežným komunálnym odpadom. V záujme ochrany životného prostredia a ľudského zdravia zlikvidujte tento výrobok a batérie ako triedený odpad, ktorý sa recykluje spôsobom šetrným k životnému prostrediu. Podrobnejšie informácie o zberných dvoroch pre triedený odpad získate na obecnom úrade alebo u predajcu, u ktorého ste príslušný výrobok zakúpili. Použitie chemických značiek Pb, Cd alebo Hg znamená, že tieto kovy sú použité v batériách.

Slovenski

Prečrtan koš za smeti na etiketi, katero lahko najdete na vašem izdelku, pomeni, da niti tega izdelka niti njegovih baterij ne smete odvreči podobno kot vse ostale smeti. Da bi preprečili morebitne škodljive vplive na okolje ali zdravje, ločite izdelek in njegove baterije od vseh ostalih odpadkov in poskrbite, da bodo reciklirani na okolju prijazen način. Natančne informacije o tem, kje se nahajajo primerna odlagališča, pridobite v vašem krajevnem uradu ali pri prodajalcu. Kemijski simboli Pb, Cd in Hg označujejo, katere kovine vsebuje baterija.

Eesti

Teie tootele kleebitud tähis, mis kujutab ratastega prügikonteinerit, millele on rist peale tõmmatud, keelab toote ja sellega kaasasolevate patareide kõrvaldamise majapidamisjäätmetega sarnasel viisil. Keskkonnale või inimeste tervisele tekitava võimaliku kahju vältimiseks eraldage toode ja selle patareid teistest jäätmetest, et tagada nende korduvkasutamise keskkonnasäästlikul viisil. Kui soovite saada rohkem teavet võimalike kogumispunktide kohta, võtke ühendust kohaliku omavalituse ametnikuga või teile toote müünud jaemüüjaga. Keemiliste sümbolite Pb, Cd või Hg kasutamise näitab, kas tootes on vastavaid metalle kasutatud.

Lietuviškai

Užbraukta ratuota šiukšliadėžės etiketė, kurią rasite ant jūsų produkto, reiškia, kad šis produktas ir pridedamos baterijos neturėtų būti išmestas kartu su įprastinėmis buitinėmis šiukšlėmis. Siekiant išvengti galiamos žalos aplinkai bei žmonių sveikatai, prašome atskirti šį produktą ir pridedamas baterijas nuo kitų atliekų, ir įsitikinti, kad jis būtų perdirbtas aplinkai nepavojingū būdu. Jei reikia išsamesnės informacijos apie atliekų surinkimo ypatumus, prašome kreiptis į savo vietos valdžios įstaigas arba į mažmeninį pardavėją, iš kurio jūs įsigijote šį produktą. Atitinkamų metalų naudojimas baterijose yra pažymėtas cheminiais simboliais Pb, Cd arba Hg ant baterijų.

Latviski

Marķējums ar pārsvītrotu atkritumu tvertni uz ritenīšiem, kas redzams uz izstrādājuma, norāda, ka šo izstrādājumu un tajā iekļautās baterijas nedrīkst likvidēt kopā ar parastajiem sadzīves atkritumiem. Lai novērstu iespējamo kaitējumu videi vai cilvēku veselībai, lūdzu, atdaliet šo izstrādājumu un tā baterijas no citiem atkritumiem, tādējādi nodrošinot tā otrreizējo pārstrādi videi drošā veidā. Papildinformācijai par pieejamajām atkritumu savākšanas iespējām, lūdzu, sazinieties ar vietējo pašvaldību vai mazumtirgotāju, no kura jūs iegādājāties šo izstrādājumu. Ķīmisko simbolu Pb, Cd un Hg izmantošana uz marķējuma nozīmē, ka šie metāli ir izmantoti baterijā.

Ελληνικά

Η διαγραμμένη ετικέτα του τροχοφόρου κάδου απορριμμάτων που θα βρείτε πάνω στο προϊόν σας υποδεικνύει ότι αυτό το προϊόν και οι ενσωματωμένες μπαταρίες δεν πρέπει να απορρίπτεται μέσω του κανονικού δικτύου αποκομιδής οικιακών απορριμμάτων. Για να αποτρέψετε πιθανές επιπτώσεις στο περιβάλλον ή την ατομική υγεία, παρακαλούμε να διαχωρίσετε αυτό το προϊόν και τις μπαταρίες του από άλλα δίκτυα αποκομιδής ώστε να διασφαλίσετε ότι είναι δυνατή η ανακύκλωσή του με έναν περιβαλλοντικά θεμιτό τρόπο. Για περισσότερες πληροφορίες σχετικά με τις διαθέσιμες δυνατότητες συλλογής απορριμμάτων, παρακαλούμε να επικοινωνήσετε με την τοπική κυβερνητική αρχή ή το κατάστημα λιανικής από όπου αγοράσατε αυτό το προϊόν. Η χρήση των χημικών συμβόλων Pb, Cd ή Hg υποδεικνύει εάν χρησιμοποιούνται τα μέταλλα αυτά στην μπαταρία.

Türkçe

Ürününüzün üzerinde bulunan çarpi işaretli tekerlekli kutu etiketi, bu ürünün ve beraberinde gelen pillerin normal ev atık sistemi vasıtasıyla elden çıkarılmaması gerektiğini gösterir. Çevreye ve insan sağlığına zarar vermeyei önlemek için, lütfen bu ürünü ve pillerini çevreye zarar vermeyecek şekilde geri dönüşüme tabi tutulmak üzere diğer atıklardan ayırın. Mevcut toplama tesisleri ile ilgili ayrıntılı bilgi edinmek için, yerel devlet makamlarıyla veya bu ürünü satın aldığınız satıcıyla irtibata geçin. Pb, Cd veya Hg kimyasal sembollerinin kullanılması, bu metallerin pillerin üretiminde kullanılıp kullanılmadığını ifade eder.

Română

Eticheta arătând un coș de gunoi tăiat cu două linii încrucișate, care poate fi găsită pe produs, indică faptul că acesta și bateriile încorporate nu trebuie aruncate la gunoi laolaltă cu gunoiul menajer. Pentru a evita posibila degradare a mediului înconjurător sau a sănătății umane, colectați separat acest produs și bateriile încorporate și nu împuneți cu gunoiul menajer pentru a vă asigura că acestea pot fi reciclate într-un mod ecologic. Pentru mai multe detalii privind punctele disponibile de colectare, contactați autoritățile locale sau comerciantul de la care ați achiziționat acest produs. Utilizarea simbolurilor unor substanțe chimice precum Pb, Cd sau Hg indică faptul că aceste metale sunt utilizate în baterie.

Български

Етикетът, представляващ зачертано кошче за боклук в кръг, който можете да видите върху вашия продукт, означава, че този продукт и батериите към него не трябва да се изхвърлят заедно с обикновените домакински отпадъци. За предпазване от евентуални щети върху околната среда или човешкото здраве, моля, отделете този продукт и батериите му от останалите отпадъци, за да се гарантира, че той ще бъде рециклиран по екологично съобразен начин. За повече информация относно наличните места за събиране на отпадъци, моля, свържете се с местните власти или търговеца, от когото сте закупили този продукт. Химическите символи Pb, Cd и Hg посочват дали съответните метали са използвани в батерията.

This information only applies to customers in the European Union, according to DIRECTIVE 2006/66/EC OF THE EUROPEAN PARLIAMENT AND OF THE COUNCIL OF 6 September 2006 on batteries and accumulators and waste batteries and accumulators and repealing Directive 91/157/EEC and legislation transposing and implementing it into the various national legal systems.

For other countries, please contact your local government to investigate the possibility of recycling your product.

Sigurnosne upute

Upozorenja, mjere opreza i napomene



Upozorenja

se moraju pažljivo pratiti kako bi se izbjegla tjelesna povreda.



Mjere opreza

se moraju poštivati kako bi se izbjegla šteta na vašoj opremi.

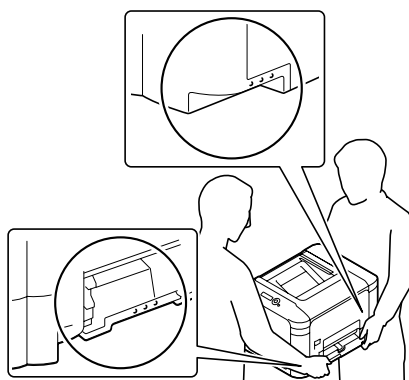
Napomene

sadrže važne informacije i korisne praktične savjete o radu vašeg pisača.

Važne sigurnosne upute

Postavljanje pisača

- ❑ Budući da pisač, s instaliranim potrošnim materijalima, teži približno 27 kg, nikada ga nemojte sami podizati niti prenositi. Pisač trebaju nositi dvije osobe, podižući ga na pravilnim mjestima kao što je prikazano dolje.



- ❑ Ako ne možete umetnuti AC utikač u električnu utičnicu, kontaktirajte električara.

- Budite sigurni da kabl AC napajanja zadovoljava važeće lokalne sigurnosne standarde. Koristite samo kabl napajanja koji se isporučuje s ovim proizvodom. Uporaba drugog kabla može za posljedicu imati požar ili strujni udar. Kabel napajanja ovog proizvoda je namijenjen za uporabu samo s ovim proizvodom. Uporaba s drugom opremom može za posljedicu imati požar ili strujni udar.
- Ako se dogodi oštećenje utikača, zamijenite cijeli kabl ili konzultirajte kvalificiranog električara. Ako u utikaču postoje osigurači, uvjerite se da ste ih zamijenili osiguračima ispravne veličine i klase.
- Koristite uzemljene utičnice koji odgovaraju utikaču napajanja pisača. Nemojte koristiti utikač adapter.
- Izbjegavajte uporabu električne utičnice koja je kontrolirana zidnim prekidačima ili automatskim tajmerima. Slučajni prekid napajanja može izbrisati vrijedne informacije u memoriji vašeg računala i vašeg pisača.
- Uvjerite se da nema prašine na utičnici.
- Budite sigurni da ste utikač u potpunosti umetnuli u električnu utičnicu.
- Ne dodirujte utikač vlažnim rukama.
- Iskopčajte pisač iz zidne utičnice i prepustite servisiranje predstavniku kvalificiranog servisa pod sljedećim uvjetima:
 - A. Kada je kabl napajanja ili utikač oštećen ili pohaban.
 - B. Ako je u njega prolivena tekućina.
 - C. Ako je bio izložen kiši ili vodi.
 - D. Ako ne radi normalno kada se prate upute za rad. Podesite samo one kontrole koje su pokrivene uputama za rad, budući da nepravilno podešavanje drugih kontrola može imati za posljedicu oštećenje i često će zahtijevati obiman rad kvalificiranog tehničara kako bi se ponovno uspostavio normalan rad proizvoda.
 - E. Ako je bio ispušten ili ako je kućište bilo oštećeno.
 - F. Ako pokazuje izrazitu promjenu učinka, ukazujući na potrebu servisiranja.
- Izbjegavajte dijeljenje utičnica s drugim uređajima.

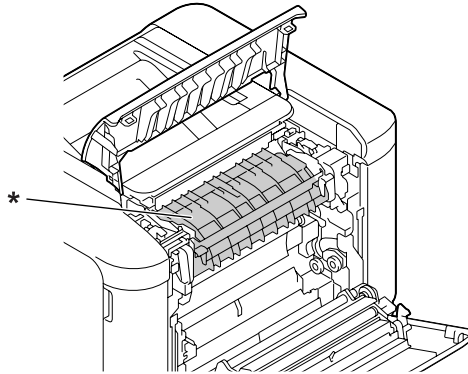
- ❑ Priključite svu opremu na pravilno uzemljene električne utičnice. Izbjegavajte uporabu utičnica na istom strujnom krugu s uređajima za fotokopiranje ili sustavima kontrole zraka koje se redovito uključuju i isključuju.
- ❑ Priključite vaš pisač na električnu utičnicu koja zadovoljava zahtjeve napajanja ovog pisača. Zahtjevi napajanja vašeg pisača su naznačeni na etiketi pričvršćenoj na pisač. Ako niste sigurni glede specifikacija izvora napajanja u vašem području, kontaktirajte vašeg lokalnog elektrodistributera ili konzultirajte vašeg prodavača.
- ❑ Ako koristite produžni kabl, uvjerite se da ukupne deklarirane amperaže proizvoda priključenih na produžni kabl ne prekoračuju deklariranu amperazu produžnog kabla.
- ❑ Kada priključujete ovaj proizvod na računalo ili drugi uređaj pomoću kabla, osigurajte pravilnu orijentaciju priključaka. Svaki priključak ima samo jednu pravilnu orijentaciju. Umetanje priključka pri pogrešnoj orijentaciji može oštetiti oba uređaja povezana kablom.
- ❑ Ako koristite opcionalnu ladicu za papir, provjerite da li ste ispravno instalirali pozicione štiftove. Za upute kako instalirati pozicione štiftove, pogledajte User's Guide.

Pronalaženje mjesta za pisač

- ❑ Postavite pisač blizu električne utičnice gdje lako možete ukopčati i iskopčati kabl napajanja.
- ❑ Nemojte postaviti vaš pisač na mjesto na kojem se može nagaziti na kabl.
- ❑ Nemojte koristiti pisač u vlažnom okruženju.
- ❑ Izbjegavajte mjesta koja su izložena izravnoj sunčevoj svjetlosti, prekomjernoj toploti, vlazi, uljnim isparenjima ili prašini.
- ❑ Nemojte stavljati pisač na nestabilnu površinu.
- ❑ Utori i otvori na kućištu i na stražnjoj ili donjoj strani su predviđeni za ventilaciju. Nemojte ih blokirati ili prekriti. Ne postavljajte pisač na krevet, sofu, sag ili drugu sličnu površinu ili na ugrađenu instalaciju ako nije osigurana pravilna ventilacija.
- ❑ Držite cjelokupan sustav računala i pisača dalje od potencijalnih izvora ometanja, kao što su zvučnici na baznim jedinicama bežičnih telefona.
- ❑ Ostavite odgovarajući prostor oko pisača kako biste omogućili dovoljnu ventilaciju.

Korištenje pisača

- ❑ Pazite da ne dodirnete fuzer, koji je označen **CAUTION**, ili područja koja ga okružuju. Ako je pisač bio u uporabi, fuzer i područja koja ga okružuju mogu biti vrlo vrući. Ako morate dodirnuti jedno od tih područja, prije nego što to napravite, pričekajte 40 minuta kako bi se toplota smanjila.



* CAUTION

- ❑ Nemojte umetati ruku duboko u jedinicu fuzera, budući da su neke komponente oštre i mogu uzrokovati povredu.
- ❑ Nikad nemojte gurati predmete bilo koje vrste kroz utore na kućištu, budući da oni mogu dodirnuti opasne točke pod naponom ili izazvati kratak spoj između dijelova, što za posljedicu može imati rizik od požara ili strujnog udara.
- ❑ Nemojte sjedati niti se naslanjati na pisač. Ne stavljajte teške predmete na pisač.
- ❑ Ne koristite zapaljive plinove bilo koje vrste u ni oko pisača.
- ❑ Nikada ne stavljajte komponente pisača na njihovo mjesto na silu. Iako je pisač dizajniran da bude robustan, grubo rukovanje ga može oštetiti.
- ❑ Ne ostavljajte zaglavljene papir unutar pisača. To može uzrokovati pregrijavanje pisača.
- ❑ Nikad nemojte prosuti bilo koju vrstu tekućine na pisač.
- ❑ Podesite samo one kontrole koje su pokrivene uputama za rad. Nepravilno podešavanje drugih kontrola može za posljedicu imati oštećenje i može zahtijevati popravak od strane predstavnika ovlaštenog servisa.
- ❑ Nemojte isključivati pisač:
 - Nakon uključivanja pisača, pričekajte dok se na LCD panelu ne pojavi Ready.
 - Za vrijeme ispisivanja, ili za vrijeme drugih radnji, kao što su pisanje podataka na vanjske uređaje.

- Izbjegavajte dodirivanje komponenti unutar pisača ako niste upućeni da to uradite u ovom vodiču.
- Pratite sva upozorenja i upute označene na pisaču.
- Nemojte pokušavati sami servisirati ovaj proizvod, osim kao što je izričito objašnjeno u dokumentaciji pisača.
- Povremeno isključite utikač iz električne utičnice i očistite njegove kontakte.
- Nemojte isključivati utikač iz utičnice dok je pisač uključen.
- Ako se pisač neće koristiti dulje vrijeme, isključite utikač iz električne utičnice.
- Iskopčajte ovaj pisač iz zidne utičnice prije čišćenja.
- Za čišćenje uporabite dobro iscijedenu krpu i nemojte koristiti tečna ili aerosolna sredstva za čišćenje.
- Kada pomjerate pisač, uvijek ga držite vodoravno.
- Ne uklanjajte zaglavljene papir silom. Pokidani papir može biti teško ukloniti i on može uzrokovati druge zastoje papira. Papir povucite nježno i odmjereno kako biste izbjegli kidanje, pad i ozljede.
- Prilikom isključivanja utikača nemojte povlačiti kabl napajanja. Uvijek uhvatite utikač kada ga isključujete.
- Ne dopustite da vam rub papira sklizne preko kože jer vas može posjeći.
- Prilikom prijenosa pisača, ugasite pisač i izvadite kabl napajanja iz električne utičnice. Provjerite da li ste izvadili sve kablove.

Rukovanje potrošnim proizvodima

- Ne spaljujte upotrijebljene potrošne proizvode jer mogu eksplodirati i ozlijediti nekoga. Odložite ih u skladu s lokalnim propisima.
- Budite sigurni da držite potrošne komponente izvan dohvata djece.
- Kad rukujete bubnjem, uvijek ga stavite na čistu, glatku površinu.
- Nemojte pokušavati modificirati ni rastaviti bubanj.
- Ne dodirujte toner. Uvijek držite toner dalje od očiju. Ako toner dospije na vašu kožu ili odjeću, odmah ga sperite sapunom i vodom.

- ❑ Ako se toner prospe, uporabite metlu i lopaticu za smeće ili vlažnu krpu sa sapunom i vodom kako biste ga očistili. Budući da fine čestice mogu uzrokovati požar ili eksploziju ako dođu u kontakt s iskrom, nemojte koristiti usisivač.
- ❑ Pričekajte najmanje jedan sat prije uporabe bubnja, nakon što ga prenesete iz hladnog u toplo okruženje, kako biste spriječili oštećenje izazvano kondenzacijom.
- ❑ Kako biste dobili najbolju kvalitetu ispisa, nemojte pohranjivati bubanj u područje izloženo izravnoj sunčevoj svjetlosti, prašini, slanom zraku ni korozivnim plinovima (kao što je amonijak). Izbjegavajte lokacije izložene ekstremnim ili naglim promjenama temperature ili vlažnosti.
- ❑ Kad uklanjate bubanj, uopće ga nemojte izlagati sunčevoj svjetlosti i izbjegavajte njegovo izlaganje sobnoj svjetlosti dulje od pet minuta. Bubanj sadrži cilindar osjetljiv na svjetlost. Izlaganje svjetlosti može oštetiti bubanj, uzrokujući pojavu tamnih ili svijetlih područja na ispisanom stranici i skraćujući vijek uporabe bubnja. Ako imate potrebu držati bubanj izvan pisača tijekom duljih razdoblja, prekrijte ga neprozirnom tkaninom.
- ❑ Pazite da ne ogrebete površinu bubnja. Kad uklonite bubanj iz pisača, uvijek ga stavite na čistu, glatku površinu. Izbjegavajte dodirivanje bubnja, budući da masnoća s vaše kože može trajno oštetiti njegovu površinu i utjecati na kvalitetu ispisa.

Sigurnosne informacije

Etikete vezane za sigurnost pri korištenju lasera



Upozorenje:

Izvođenje postupaka i podešavanja, osim onih koji su precizirani u dokumentaciji pisača, može za posljedicu imati izlaganje opasnom zračenju. Vaš pisač je laserski proizvod klase 1 kao što je definiran u IEC60825 specifikacijama. Prikazana etiketa je pričvršćena na stražnju stranu pisača u državama u kojima je to zahtijevano.



Unutarnje lasersko zračenje

U sklopu glave pisača se nalazi sklop laserske diode klase III b koji ima nevidljivi laserski snop. Jedinica glave pisača NIJE STVAR KOJA SE SERVISIRA, stoga, jedinica glave pisača ne treba biti otvarana ni pod kojim okolnostima. Dodatna etiketa s upozorenjem glede lasera je pričvršćena u unutrašnjosti pisača.



Sigurnost vezana za ozon

Emisija ozona

Laserski pisači generiraju plin ozon kao sporedni proizvod postupka ispisa. Ozon se proizvodi samo kada pisač ispisuje.

Ograničenje izlaganja ozonu

Epson laserski pisač generira manje od 3 mg/h uz neprestano ispisivanje.

Minimiziranje rizika

Kako biste minimizirali rizik izlaganja ozonu, trebate izbjegavati sljedeće uvjete:

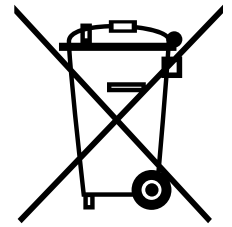
- Uporaba više laserskih pisača u zatvorenom prostoru
- Rad u uvjetima ekstremno niske vlažnosti
- Slaba ventilacija prostorije
- Dugo, neprestano ispisivanje zajedno s bilo čim gore navedenim

Lokacija pisača

Pisač treba biti lociran tako da ispušni plinovi i generirana toplota:

- Ne pušu izravno u korisnikovo lice
- Budu izravno ispuštani izvan zgrade kad god je to moguće

Battery Addendum



English

The crossed out wheeled bin label that can be found on your product indicates that this product and incorporated batteries should not be disposed of via the normal household waste stream. To prevent possible harm to the environment or human health please separate this product and its batteries from other waste streams to ensure that it can be recycled in an environmentally sound manner. For more details on available collection facilities please contact your local government office or the retailer where you purchased this product. Use of the chemical symbols Pb, Cd or Hg indicates if these metals are used in the battery.

Deutsch

Der Aufkleber mit durchgekrenzter Mülltonne an diesem Produkt weist darauf hin, dass dieses Produkt und darin enthaltene Batterien nicht im normalen Hausmüll entsorgt werden dürfen. Zur Vermeidung einer möglichen Beeinträchtigung der Umwelt oder der menschlichen Gesundheit und um zu gewährleisten, dass es in einer umweltverträglichen Weise recycelt wird, darf dieses Produkt mitsamt den Batterien nicht in den Hausmüll gegeben werden. Informationen zu Entsorgungseinrichtungen erhalten Sie bei der zuständigen Behörde oder dem Händler, bei dem Sie dieses Produkt erworben haben. Die Angabe der chemischen Zeichen Pb, Cd oder Hg bedeutet, dass diese Metalle in der Batterie verwendet werden.

Français

L'étiquette apposée sur ce produit et représentant une poubelle barrée indique que le produit et les piles intégrées ne peuvent être mis au rebut avec les déchets domestiques normaux. Afin d'éviter d'éventuels dommages au niveau de l'environnement ou sur la santé, veuillez séparer ce produit et ses piles des autres déchets de manière à garantir qu'ils soient recyclés de manière sûre au niveau environnemental. Pour plus de détails sur les sites de collecte existants, veuillez contacter l'administration locale ou le détaillant auprès duquel vous avez acheté ce produit. Les symboles chimiques Pb, Cd et Hg sont utilisés pour désigner les métaux présents dans les piles.

Italiano

L'etichetta con il contenitore barrato applicata sull'imballo indica che il prodotto e le batterie incluse non devono essere smaltiti tramite la procedura normale di smaltimento dei rifiuti domestici. Per evitare eventuali danni all'ambiente e alla salute umana, separare questo prodotto e le relative batterie da altri rifiuti domestici in modo che possano essere riciclati in base alle procedure di rispetto dell'ambiente. Per maggiori dettagli sulle strutture di raccolta disponibili, contattare l'ufficio competente del proprio comune o il rivenditore del prodotto. L'uso dei simboli chimici Pb, Cd o Hg indica la presenza di tali metalli nelle batterie.

Español

La etiqueta de un contenedor tachado que hallará en su producto indica que este producto y sus pilas no se pueden tirar con la basura doméstica normal. Para impedir posibles daños medioambientales o para la salud, separe este producto y sus pilas de otros canales de desecho para garantizar que se recicle de una forma segura para el medio ambiente. Para más información sobre las instalaciones de recolección disponibles, diríjase a las autoridades locales o al punto de venta donde adquirió este producto. Los símbolos químicos Pb, Cd o Hg indican que las pilas contienen ese metal.

Português

A etiqueta com o símbolo de um contentor de lixo traçado com uma cruz que aparece no produto indica que este produto e as pilhas incluídas não devem ser deitados fora juntamente com o lixo doméstico. Para evitar possíveis danos no ambiente ou na saúde pública, por favor separe este produto e respectivas pilhas de outros lixos; desta forma, terá a certeza de que podem ser reciclados através de métodos não prejudiciais ao ambiente. Para obter mais informações sobre os locais de recolha de lixo disponíveis, contacte a sua junta de freguesia, câmara municipal ou local onde comprou este produto. A utilização dos símbolos químicos Pb, Cd ou Hg indica se estes metais são utilizados na pilha.

Nederlands

Op uw product is een label van een rolcontainer met een kruis erdoor aangebracht. Dit label wil zeggen dat dit product en de batterijen in het product niet bij het normale huishoudelijk afval mogen worden ingezameld. Om eventuele schade aan het milieu of de gezondheid van de mens te voorkomen moeten dit product en de batterijen gescheiden van al het ander afval worden ingezameld, zodat alles op een verantwoorde wijze kan worden verwerkt. Voor meer informatie over uw lokale afvalinzameling wendt u zich tot uw gemeente of de leverancier bij wie u dit product hebt gekocht. Gebruik van de chemische symbolen Pb, Cd of Hg geeft aan of deze metalen worden gebruikt in de batterij.

Dansk

Etiketten med et kryds over skraldespanden på hjul, der sidder på produktet, angiver, at dette produkt og dets batterier ikke må bortskaffes sammen med almindeligt husholdningsaffald. For at beskytte miljø og helbred skal dette produkt og dets batterier bortskaffes separat, så disse dele kan genbruges på en måde, der er god for miljøet. Kontakt de lokale myndigheder eller den forhandler, hos hvem du har købt produktet, vedrørende steder, hvor du kan aflevere produktet. Brugen af de kemiske symboler Pb, Cd eller Hg angiver, om disse metaller er anvendt i batteriet.

Suomi

Laitte on merkitty jäteastia-symbolilla, jonka yli on vedetty rasti. Tämä tarkoittaa, ettei laitetta tai siihen kuuluvia paristoja saa hävittää normaalin talousjätteen mukana. Älä hävitä laitetta tai sen paristoja normaalin jätteen seassa vaan varmista, että laite kierrätetään ympäristöystävällisellä tavalla, jottei ympäristölle tai ihmisille aiheudu vahinkoa. Lisätietoja kierrätyksestä ja keräyspisteistä saa ottamalla yhteyttä paikallisiin viranomaisiin tai jälleenmyyjään, jolta laite ostettiin. Kemiallisten merkien Pb (lyijy), Cd (kadmium) tai Hg (elohopea) käyttö ilmaisee, että paristo sisältää kyseistä metallia.

Svenska

Symbolen med en överkorsad soptunna innebär att denna produkt och tillhörande batterier inte får kastas i vanligt hushållsavfall. För att skydda miljön ska denna produkt och dess batterier inte kastas tillsammans med vanligt hushållsavfall utan lämnas för återvinning på tillbörligt sätt. För mer information om uppsamlingsplatser kontakta din lokala myndighet eller den återförsäljare där du har köpt produkten. De kemiska symbolerna Pb, Cd eller Hg visar om dessa metaller används i batteriet.

Norsk

Etiketten på hjulbeholderen på produktet ditt antyder at produktet og batteriene som hører med, ikke skal avhendes sammen med vanlig husholdningsavfall. Hold produktet og batteriene atskilt fra annet avfall, slik at det kan resirkuleres på en miljømessig og forsvarlig måte og dermed forhindre eventuell skade på miljø eller helse. Kontakt lokale myndigheter, eller din forhandler, for mer informasjon angående avhenting av produktet. De kjemiske symbolene Pb, Cd og Hg antyder om disse metallene har blitt brukt i batteriet.

Česky

Štítek s přeškrtnutým odpadkovým košem na kolečkách, který lze nalézt na výrobku, označuje, že se tento výrobek a přiložené baterie nemají likvidovat s běžným domovním odpadem. V zájmu ochrany životního prostředí a lidského zdraví zlikvidujte tento výrobek a jeho baterie jako tříděný odpad, který se recykluje způsobem šetrným k životnímu prostředí. Podrobnější informace o sběrných dvorech pro tříděný odpad získáte na obecním úřadě nebo u prodejce, u kterého jste tento výrobek zakoupili. Použité chemické značky Pb, Cd nebo Hg označují, zda baterie obsahuje tyto kovy.

Magyar

A termékén található, áthúzott szemetest ábrázoló címke azt jelzi, hogy ezt a terméket és a hozzá tartozó elemeket nem szabad a rendes háztartási szeméttel együtt kidobni. Az esetleges környezeti- vagy egészségkárosodást megelőzendő, kérjük, hogy ezt a terméket és az elemeket a többi szeméttől elkülönítve helyezze el, és biztosítsa, hogy azt környezetbarát módon újrahasznosítsák. A rendelkezésére álló begyűjtő létesítményekről kérjük tájékozódjon a megfelelő helyi állami szerveknél vagy a viszonteladónál, ahol a terméket vásárolta. A Pb, Cd vagy Hg vegyjelek jelzik, ha ilyen fémeket is felhasználtak az elem gyártása során.

Polski

Symbol przekreślonego kosza znajdujący się na produkcie oznacza, że nie można produktu oraz wewnętrzznego akumulatora utylizować razem z normalnymi odpadami z gospodarstwa domowego. Aby zapobiec potencjalnemu zagrożeniu dla środowiska lub zdrowia ludzkiego, produkt oraz wewnętrzny akumulator należy odseparować od reszty odpadów z gospodarstwa domowego i utylizować w ekologicznie właściwy sposób. Szczegółowe informacje na temat punktów zbiórki odpadów można uzyskać w lokalnych urzędach lub u sprzedawcy danego produktu. Symbole chemiczne Pb, Cd lub Hg oznaczają, że metale te zostały zastosowane w akumulatorze.

Slovensky

Štítok s preškrtnutým odpadkovým košom na kolieskach, ktorý je možné nájsť na výrobku, označuje, že tento produkt a obsiahnuté batérie sa nemajú likvidovať s bežným komunálnym odpadom. V záujme ochrany životného prostredia a ľudského zdravia zlikvidujte tento výrobok a batérie ako triedený odpad, ktorý sa recykluje spôsobom šetrným k životnému prostrediu. Podrobnejšie informácie o zberných dvoroch pre triedený odpad získate na obecnom úrade alebo u predajcu, u ktorého ste príslušný výrobok zakúpili. Použitie chemických značiek Pb, Cd alebo Hg znamená, že tieto kovy sú použité v batériách.

Slovenski

Prečrtan koš za smeti na etiketi, katero lahko najdete na vašem izdelku, pomeni, da niti tega izdelka niti njegovih baterij ne smete odvreči podobno kot vse ostale smeti. Da bi preprečili morebitne škodljive vplive na okolje ali zdravje, ločite izdelek in njegove baterije od vseh ostalih odpadkov in poskrbite, da bodo reciklirani na okolju prijazen način. Natančne informacije o tem, kje se nahajajo primerna odlagališča, pridobite v vašem krajevnem uradu ali pri prodajalcu. Kemijski simboli Pb, Cd in Hg označujejo, katere kovine vsebuje baterija.

Eesti

Teie tootele kleebitud tähis, mis kujutab ratastega prügikonteinerit, millele on rist peale tõmmatud, keelab toote ja sellega kaasasolevate patareide kõrvaldamise majapidamisjäätmetega sarnasel viisil. Keskkonnale või inimeste tervisele tekitava võimaliku kahju vältimiseks eraldage toode ja selle patareid teistest jäätmetest, et tagada nende korduvkasutamise keskkonnasäästlikul viisil. Kui soovite saada rohkem teavet võimalike kogumispunktide kohta, võtke ühendust kohaliku omavalituse ametnikuga või teile toote müünud jaemüüjaga. Keemiliste sümbolite Pb, Cd või Hg kasutamine näitab, kas tootes on vastavaid metalle kasutatud.

Lietuviškai

Užbraukta ratuota šiukšliadėžės etiketė, kurią rasite ant jūsų produkto, reiškia, kad šis produktas ir pridedamos baterijos neturėtų būti išmestas kartu su įprastinėmis buitinėmis šiukšlėmis. Siekiant išvengti galiamos žalos aplinkai bei žmonių sveikatai, prašome atskirti šį produktą ir pridedamas baterijas nuo kitų atliekų, ir įsitikinti, kad jis būtų perdirbtas aplinkai nepavojingū būdu. Jei reikia išsamesnės informacijos apie atliekų surinkimo ypatumus, prašome kreiptis į savo vietos valdžios įstaigas arba į mažmeninį pardavėją, iš kurio jūs įsigijote šį produktą. Atitinkamų metalų naudojimas baterijose yra pažymėtas cheminiais simboliais Pb, Cd arba Hg ant baterijų.

Latviski

Marķējums ar pārsvītrotu atkritumu tvertni uz ritenīšiem, kas redzams uz izstrādājuma, norāda, ka šo izstrādājumu un tajā iekļautās baterijas nedrīkst likvidēt kopā ar parastajiem sadzīves atkritumiem. Lai novērstu iespējamo kaitējumu videi vai cilvēku veselībai, lūdzu, atdaliet šo izstrādājumu un tā baterijas no citiem atkritumiem, tādējādi nodrošinot tā otrreizējo pārstrādi videi drošā veidā. Papildinformācijai par pieejamajām atkritumu savākšanas iespējām, lūdzu, sazinieties ar vietējo pašvaldību vai mazumtirgotāju, no kura jūs iegādājāties šo izstrādājumu. Ķīmisko simbolu Pb, Cd un Hg izmantošana uz marķējuma nozīmē, ka šie metāli ir izmantoti baterijā.

Ελληνικά

Η διαγραμμένη ετικέτα του τροχοφόρου κάδου απορριμμάτων που θα βρείτε πάνω στο προϊόν σας υποδεικνύει ότι αυτό το προϊόν και οι ενσωματωμένες μπαταρίες δεν πρέπει να απορρίπτεται μέσω του κανονικού δικτύου αποκομιδής οικιακών απορριμμάτων. Για να αποτρέψετε πιθανές επιπτώσεις στο περιβάλλον ή την ατομική υγεία, παρακαλούμε να διαχωρίσετε αυτό το προϊόν και τις μπαταρίες του από άλλα δίκτυα αποκομιδής ώστε να διασφαλίσετε ότι είναι δυνατή η ανακύκλωσή του με έναν περιβαλλοντικά θεμιτό τρόπο. Για περισσότερες πληροφορίες σχετικά με τις διαθέσιμες δυνατότητες συλλογής απορριμμάτων, παρακαλούμε να επικοινωνήσετε με την τοπική κυβερνητική αρχή ή το κατάστημα λιανικής από όπου αγοράσατε αυτό το προϊόν. Η χρήση των χημικών συμβόλων Pb, Cd ή Hg υποδεικνύει εάν χρησιμοποιούνται τα μέταλλα αυτά στην μπαταρία.

Türkçe

Ürününüzün üzerinde bulunan çarpi işaretli tekerlekli kutu etiketi, bu ürünün ve beraberinde gelen pillerin normal ev atık sistemi vasıtasıyla elden çıkarılmaması gerektiğini gösterir. Çevreye ve insan sağlığına zarar vermeyei önlemek için, lütfen bu ürünü ve pillerini çevreye zarar vermeyecek şekilde geri dönüşüme tabi tutulmak üzere diğer atıklardan ayırın. Mevcut toplama tesisleri ile ilgili ayrıntılı bilgi edinmek için, yerel devlet makamlarıyla veya bu ürünü satın aldığınız satıcıyla irtibata geçin. Pb, Cd veya Hg kimyasal sembollerinin kullanılması, bu metallerin pillerin üretiminde kullanılıp kullanılmadığını ifade eder.

Română

Eticheta arătând un coș de gunoi tăiat cu două linii încrucișate, care poate fi găsită pe produs, indică faptul că acesta și bateriile încorporate nu trebuie aruncate la gunoi laolaltă cu gunoiul menajer. Pentru a evita posibila degradare a mediului înconjurător sau a sănătății umane, colectați separat acest produs și bateriile încorporate și nu împuneți cu gunoiul menajer pentru a vă asigura că acestea pot fi reciclate într-un mod ecologic. Pentru mai multe detalii privind punctele disponibile de colectare, contactați autoritățile locale sau comerciantul de la care ați achiziționat acest produs. Utilizarea simbolurilor unor substanțe chimice precum Pb, Cd sau Hg indică faptul că aceste metale sunt utilizate în baterie.

Български

Етикетът, представляващ зачертано кошче за боклук в кръг, който можете да видите върху вашия продукт, означава, че този продукт и батериите към него не трябва да се изхвърлят заедно с обикновените домакински отпадъци. За предпазване от евентуални щети върху околната среда или човешкото здраве, моля, отделете този продукт и батериите му от останалите отпадъци, за да се гарантира, че той ще бъде рециклиран по екологично съобразен начин. За повече информация относно наличните места за събиране на отпадъци, моля, свържете се с местните власти или търговеца, от когото сте закупили този продукт. Химическите символи Pb, Cd и Hg посочват дали съответните метали са използвани в батерията.

This information only applies to customers in the European Union, according to DIRECTIVE 2006/66/EC OF THE EUROPEAN PARLIAMENT AND OF THE COUNCIL OF 6 September 2006 on batteries and accumulators and waste batteries and accumulators and repealing Directive 91/157/EEC and legislation transposing and implementing it into the various national legal systems.

For other countries, please contact your local government to investigate the possibility of recycling your product.

Безбедносни упатства

Предупредувања, Внимание и Забелешки



Предупредувања

мора внимателно да се следат за да се избегне телесна повреда.



Внимание

мора да се почитува за да се избегне оштетување на опремата.

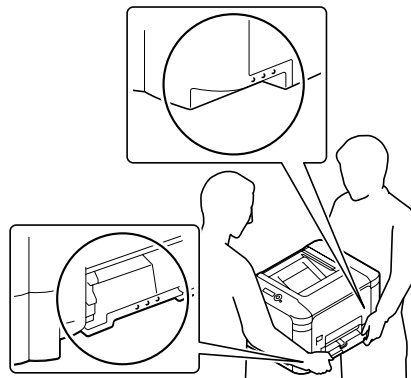
Забелешки

содржат важни информации и корисни совети за работата на печатачот.

Важни безбедносни упатства

Поставување на печатачот

- ❑ Со оглед на тоа дека печатачот тежи околу 27 kg вклучувајќи ги и инсталираните потрошни материјали, не треба да го подига или пренес ува едно лице. Две лица треба да го носат печатачот со подигнување на точните позиции како што е прикажано подолу.



- ❑ Контактирајте со електричар ако не може да го ставите приклучокот во извор на ел. напојување.

- Проверете дали кабелот за напојување ги исполнува релевантните локални безбедносни стандарди. Користете само кабел за напојување што доаѓа со овој производ. Употреба на друг кабел за напојување може да резултира во оган или електричен удар. Кабелот за напојување на овој производ е за употреба само со овој производ. Употреба на друга опрема може да резултира во оган или електричен удар.
- Ако се оштети приклучокот, заменете го целиот кабел или консултирајте се со квалификуван електричар. Ако има осигурувачи во приклучокот, заменете ги со осигурувачи со правилна големина и рангирање.
- Користете заземјен приклучок што соодветствува на кабелот за напојување на печатачот. Не користете приклучок со адаптер.
- Избегнувајте да користите електричен приклучок којшто се контролира со сидни прекинувачи или автоматски тајмери. Ненадеен прекин на напојување може да избрише вредни информации од меморијата на компјутерот и печатачот.
- Погрижете се да нема прашина на штекерот.
- Погрижете се да го вметнете приклучокот целосно во електричниот штекер.
- Не ракувајте со приклучокот со влажни раце.
- Исклучете го печатачот од сид и побарајте помош од квалификуван сервисер во следните случаи:
 - A. Кога кабелот за напојување или приклучокот се оштетени или изгорени.
 - B. Ако се истурила течност во него.
 - C. Ако бил изложен на дожд или вода.
 - D. Ако не работи нормално кога се следат инструкциите за работа. Прилагодете ги само оние контроли кои се покриени со инструкциите за работа бидејќи неправилно прилагодување на други контроли може да резултира во оштетување и честопати изискува напорна работа на квалификуван техничар за да го врати производот во нормална работа.
 - E. Ако паднал или апаратот е оштетен.
 - F. Ако покажува значителна промена во изведбите што посочува на потреба од сервисирање.
- Избегнувајте заеднички приклучок со други уреди.

- ❑ Поврзете ја целата опрема со правилно заземјени приклучоци за напојување. Избегнувајте да користите приклучоци во исто коло како фотокопири или системи за контрола на воздухот кои редовно се вклучуваат и исклучуваат.
- ❑ Поврзете го печатачот за ел. приклучок кој ги исполнува побарувањата за напојување на овој печатач. Побарувањата за напојување на печатачот се посочени на етикетата што е залепена на печатачот. Ако не сте сигурни кои се спецификациите за ел. снабдување во вашата област, контактирајте со локалната компанија за снабдување со ел. енергија или консултирајте се со застапникот.
- ❑ Ако користите продолжен кабел, проверете дали вкупната јачина во ампери на производите кои што се приклучени на продолжниот кабел не ја надминуваат вкупната јачина во ампери.
- ❑ При приклучување на овој производ за компјутер или друг уред преку кабел, проверете ја точната ориентација на конекторите. Секој конектор има само една точна ориентација. Ако го ставите конекторот во грешна ориентација, тој може да ги оштети обата уреди коишто се поврзани со кабелот.
- ❑ Кога се користи дополнителната касета за хартија, инсталирајте ги прави лно позиционите иглички. За инструкции како да ги инсталирате позиционите иглички, консултирајте го User's Guide.

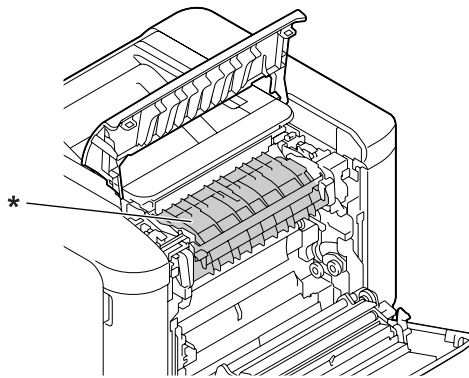
Наоѓање место за печатачот

- ❑ Поставете го печатачот близу до ел. приклучок каде што лесно може да го приклучувате и извлекувате кабелот за напојување.
- ❑ Не ставајте го печатачот онаму каде што кабелот може да се нагазува.
- ❑ Не користете го печатачот во влажна средина.
- ❑ Избегнувајте локации кои се изложени на директна сончева светлина, прекумерна топлина, влага, испарувања од масло или прав.
- ❑ Не ставајте го печатачот на нестабилна површина.
- ❑ Отворите и процепите на уредот и на заднината или дното служат за вентилација. Не блокирајте ги или не покривајте ги. Не ставајте го печатачот на кревет, кауч, простирка или други слични површини или во вградени поставки освен ако не е обезбедена правилна вентилација.
- ❑ Држете ги целиот компјутер и системот за печатачот подалеку од потенцијални извори на интерференција, како што се звучници или базични единици за безжични телефони.

- ❑ Оставете доволно простор околу печатачот за да овозможите задоволителна вентилација.

Користење на печатачот

- ❑ Внимавајте да не го допрете грејачот кој е обележен со **CAUTION** или околните површини. Ако печатачот се користел, грејачот и околните површини се многу топли. Почекајте 40 минути за да оставите топлината да се намали ако мора да допрете некоја од овие површини.



* CAUTION

- ❑ Не ставајте ја раката длабоко во единицата со грејачот бидејќи некои компоненти се остри и може да предизвикаат повреда.
- ❑ Никогаш не туркајте предмети од кој било вид низ процепите на уредот бидејќи тие може да допрат до опасни точки под напон или не сечете делови бидејќи би можело да доведе до ризик од оган или електричен удар.
- ❑ Не седете и не потпирајте се на печатачот. Не ставајте тешки предмети на печатачот.
- ❑ Не користете какви било согорливи гасови во или околу печатачот.
- ❑ Никогаш не ставајте ги компонентите на свое место насила. Иако печатачот е дизајниран да биде цврст, грубо ракување може да го оштети.
- ❑ Не оставајте заглавена хартија во печатачот. Тоа може да предизвика презагревање на печатачот.
- ❑ Никогаш не истурајте каква било течност врз печатачот.

- Прилагодувајте ги само оние контроли што се опфатени во инструкциите за работа. Неправилно прилагодување на другите контроли може да резултира во оштетување и ќе изискува поправка од страна на квалификуван сервисер.
- Не исклучувајте го печатачот:
 - По вклучувањето на печатачот, почекајте додека не се појави Ready на LCD-екранот.
 - За време на печатење или за време на други операции, како што е ис праќање податоци до надворешни направи.
- Избегнувајте да ги допирате компонентите во печатачот освен ако не сте упатени да го сторите тоа во ова упатство.
- Следете ги сите предупредувања и упатства посочени на печатачот.
- Не обидувајте се сами да го сервисирате овој производ освен како што е специфично објаснето во документацијата на печатачот.
- Периодично исклучувајте го приклучокот од електричниот штекер и чистете ги сечивата.
- Не исклучувајте го приклучокот додека работи печатачот.
- Ако печатачот нема да се користи долго време, исклучете го приклучокот од електричниот штекер.
- Исклучете го печатачот од сид пред чистење.
- Користете добро исцедена крпа за чистење и не користете течност или аеросолни средства за чистење.
- Кога го преместувате печатачот, секогаш држете го хоризонтално.
- Не вадете ја заглавената хартија насила. Искинатата хартија тешко се вади и може да предизвика друго заглавување на хартија. Повлечете ја хартијата нежно и полека за да не ја скинете, да не паднете и да не се повредите.
- Не трагајте го кабелот за напојување при вадење на приклучокот. Секогаш држете го приклучокот при вадење.
- Не дозволувајте работ на хартијата да се лизга врз вашата кожа бидејќи работ на хартијата може да ве исече.
- При пренесување на печатачот, исклучете го и извадете го кабелот за напојување од електричниот приклучок. Извадете ги сите кабли.

Ракување со потрошните материјали

- Не горете ги искористените потрошни материјали бидејќи можат да експлодираат и да повредат некого. Фрлајте ги во согласност со локалните регулативи.
- Чувајте ги потрошните компоненти подалеку од дофат на деца.
- Кога ракувате со касетата за тонер, секогаш ставајте ја на чиста, рамна површина.
- Не обидувајте се да ја менувате касетата за тонерот или да ја расклопувате.
- Не допирајте го тонерот. Секогаш држете го тонерот подалеку од очите. Ако тонерот се налепи на кожата или облеката, исперете го со сапун и вода веднаш.
- Ако тонерот се истури, земете метла и лопатче или крпа натопена со сапун и вода и исчистете го. Не користете правосмукалка бидејќи ситните честички може да предизвикаат оган или експлозија ако дојдат во контакт со искра.
- Почекајте барем еден час пред да ја користите касетата за тонерот откако сте ја преместиле од ладна во топла средина за да спречите оштетување од кондензацијата.
- Не складирајте ја касетата за тонерот на место со директна сончева светлина, прашина, солен воздух или корозивни гасови (како амонијак) за да постигнете најдобар квалитет при печатењето. Избегнувајте локации со екстремни или нагли промени во температурата или влажноста.
- Кога ќе ја извадите касетата за тонерот, не изложувајте ја воопшто на сончева светлина и избегнувајте да ја изложувате на нормална светлина повеќе од пет минути. Касетата за тонерот содржи барабан чувствителен на светлина. Изложувањето на светлина може да го оштети барабанот со што ќе се предизвика темни или светли делови да се појавуваат на отпечатената страница и ќе се намали употребливоста на барабанот. Ако треба да се чува касетата за тонерот надвор од печатачот подолг период, покријте ја со непроѕирна ткаенина.
- Внимавајте да не ја изгребете површината на барабанот. Кога ја вадите касетата за тонерот од печатачот, секогаш ставајте ја на чиста, рамна површина. Избегнувајте допирање на барабанот бидејќи маслото од кожата може трајно да ја оштети површината и да повлијае врз квалитетот на печатењето.

Безбедносни информации

Безбедносни етикети за ласерот



Предупредување:

Изведбата на процедурите и прилагодувањата кои не се посочени во документацијата за печатачот може да резултираат во опасно изложување на радијација. Печатачот е ласерски производ од Класа 1 како што е дефинирано во спецификациите IEC60825. Прикажаната етикета е прикачена на задната страна на печатачот во земји каде што тоа се бара.



Внатрешна ласерска радијација

Во главата на печатачот има единица со ласерска диода од Класа III b која има невидлив ласерски сноп. Единицата со главата на печатачот е СТАВКА КОЈА НЕ ПОДЛЕЖИ НА СЕРВИС и затоа единицата со главата на печатачот не смее да се отвора под ниеден услов. Дополнителна етикета со предупредување и закачена од внатрешната страна на печатачот.



Безбедност за озонот

Емисија на озон

Озонски гас се генерира со ласерски печатачи како нуспроизвод при процесот на печатење. Озонот се произведува само кога печатачот печати.

Ограничување на изложување на озон

Ласерскиот печатач Epson произведува помалку од 3 мг/ч озон при непрекидно печатење.

Минимизирање ризик

Треба да ги следите следните услови за да го минимизирате ризикот од изложување на озон:

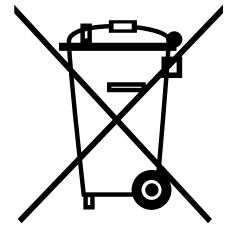
- Употреба на повеќе ласерски печатачи во затворен простор
- Работа во услови на исклучително ниска влажност
- Слаба вентилација на просторијата
- Долго, континуирано печатење заедно со кое било од горе посоченото

Местоположба на печатачот

Печатачот треба да се постави така што генерираните издувни гасови и топлина:

- Нема да дуваат директно во лицето на корисникот
- Ќе се вентилираат директно надвор од зградата онаму каде што тоа е можно

Battery Addendum



English

The crossed out wheeled bin label that can be found on your product indicates that this product and incorporated batteries should not be disposed of via the normal household waste stream. To prevent possible harm to the environment or human health please separate this product and its batteries from other waste streams to ensure that it can be recycled in an environmentally sound manner. For more details on available collection facilities please contact your local government office or the retailer where you purchased this product. Use of the chemical symbols Pb, Cd or Hg indicates if these metals are used in the battery.

Deutsch

Der Aufkleber mit durchgekrenzter Mülltonne an diesem Produkt weist darauf hin, dass dieses Produkt und darin enthaltene Batterien nicht im normalen Hausmüll entsorgt werden dürfen. Zur Vermeidung einer möglichen Beeinträchtigung der Umwelt oder der menschlichen Gesundheit und um zu gewährleisten, dass es in einer umweltverträglichen Weise recycelt wird, darf dieses Produkt mitsamt den Batterien nicht in den Hausmüll gegeben werden. Informationen zu Entsorgungseinrichtungen erhalten Sie bei der zuständigen Behörde oder dem Händler, bei dem Sie dieses Produkt erworben haben. Die Angabe der chemischen Zeichen Pb, Cd oder Hg bedeutet, dass diese Metalle in der Batterie verwendet werden.

Français

L'étiquette apposée sur ce produit et représentant une poubelle barrée indique que le produit et les piles intégrées ne peuvent être mis au rebut avec les déchets domestiques normaux. Afin d'éviter d'éventuels dommages au niveau de l'environnement ou sur la santé, veuillez séparer ce produit et ses piles des autres déchets de manière à garantir qu'ils soient recyclés de manière sûre au niveau environnemental. Pour plus de détails sur les sites de collecte existants, veuillez contacter l'administration locale ou le détaillant auprès duquel vous avez acheté ce produit. Les symboles chimiques Pb, Cd et Hg sont utilisés pour désigner les métaux présents dans les piles.

Italiano

L'etichetta con il contenitore barrato applicata sull'imballo indica che il prodotto e le batterie incluse non devono essere smaltiti tramite la procedura normale di smaltimento dei rifiuti domestici. Per evitare eventuali danni all'ambiente e alla salute umana, separare questo prodotto e le relative batterie da altri rifiuti domestici in modo che possano essere riciclati in base alle procedure di rispetto dell'ambiente. Per maggiori dettagli sulle strutture di raccolta disponibili, contattare l'ufficio competente del proprio comune o il rivenditore del prodotto. L'uso dei simboli chimici Pb, Cd o Hg indica la presenza di tali metalli nelle batterie.

Español

La etiqueta de un contenedor tachado que hallará en su producto indica que este producto y sus pilas no se pueden tirar con la basura doméstica normal. Para impedir posibles daños medioambientales o para la salud, separe este producto y sus pilas de otros canales de desecho para garantizar que se recicle de una forma segura para el medio ambiente. Para más información sobre las instalaciones de recolección disponibles, diríjase a las autoridades locales o al punto de venta donde adquirió este producto. Los símbolos químicos Pb, Cd o Hg indican que las pilas contienen ese metal.

Português

A etiqueta com o símbolo de um contentor de lixo traçado com uma cruz que aparece no produto indica que este produto e as pilhas incluídas não devem ser deitados fora juntamente com o lixo doméstico. Para evitar possíveis danos no ambiente ou na saúde pública, por favor separe este produto e respectivas pilhas de outros lixos; desta forma, terá a certeza de que podem ser reciclados através de métodos não prejudiciais ao ambiente. Para obter mais informações sobre os locais de recolha de lixo disponíveis, contacte a sua junta de freguesia, câmara municipal ou local onde comprou este produto. A utilização dos símbolos químicos Pb, Cd ou Hg indica se estes metais são utilizados na pilha.

Nederlands

Op uw product is een label van een rolcontainer met een kruis erdoor aangebracht. Dit label wil zeggen dat dit product en de batterijen in het product niet bij het normale huishoudelijk afval mogen worden ingezameld. Om eventuele schade aan het milieu of de gezondheid van de mens te voorkomen moeten dit product en de batterijen gescheiden van al het ander afval worden ingezameld, zodat alles op een verantwoorde wijze kan worden verwerkt. Voor meer informatie over uw lokale afvalinzameling wendt u zich tot uw gemeente of de leverancier bij wie u dit product hebt gekocht. Gebruik van de chemische symbolen Pb, Cd of Hg geeft aan of deze metalen worden gebruikt in de batterij.

Dansk

Etiketten med et kryds over skraldespanden på hjul, der sidder på produktet, angiver, at dette produkt og dets batterier ikke må bortskaffes sammen med almindeligt husholdningsaffald. For at beskytte miljø og helbred skal dette produkt og dets batterier bortskaffes separat, så disse dele kan genbruges på en måde, der er god for miljøet. Kontakt de lokale myndigheder eller den forhandler, hos hvem du har købt produktet, vedrørende steder, hvor du kan aflevere produktet. Brugen af de kemiske symboler Pb, Cd eller Hg angiver, om disse metaller er anvendt i batteriet.

Suomi

Laitte on merkitty jäteastia-symbolilla, jonka yli on vedetty rasti. Tämä tarkoittaa, ettei laitetta tai siihen kuuluvia paristoja saa hävittää normaalin talousjätteen mukana. Älä hävitä laitetta tai sen paristoja normaalin jätteen seassa vaan varmista, että laite kierrätetään ympäristöystävällisellä tavalla, jottei ympäristölle tai ihmisille aiheudu vahinkoa. Lisätietoja kierrätyksestä ja keräyspisteistä saa ottamalla yhteyttä paikallisiin viranomaisiin tai jälleenmyyjään, jolta laite ostettiin. Kemiallisten merkien Pb (lyijy), Cd (kadmium) tai Hg (elohopea) käyttö ilmaisee, että paristo sisältää kyseistä metallia.

Svenska

Symbolen med en överkorsad soptunna innebär att denna produkt och tillhörande batterier inte får kastas i vanligt hushållsavfall. För att skydda miljön ska denna produkt och dess batterier inte kastas tillsammans med vanligt hushållsavfall utan lämnas för återvinning på tillbörligt sätt. För mer information om uppsamlingsplatser kontakta din lokala myndighet eller den återförsäljare där du har köpt produkten. De kemiska symbolerna Pb, Cd eller Hg visar om dessa metaller används i batteriet.

Norsk

Etiketten på hjulbeholderen på produktet ditt antyder at produktet og batteriene som hører med, ikke skal avhendes sammen med vanlig husholdningsavfall. Hold produktet og batteriene atskilt fra annet avfall, slik at det kan resirkuleres på en miljømessig og forsvarlig måte og dermed forhindre eventuell skade på miljø eller helse. Kontakt lokale myndigheter, eller din forhandler, for mer informasjon angående avhenting av produktet. De kjemiske symbolene Pb, Cd og Hg antyder om disse metallene har blitt brukt i batteriet.

Česky

Štítek s přeškrtnutým odpadkovým košem na kolečkách, který lze nalézt na výrobku, označuje, že se tento výrobek a přiložené baterie nemají likvidovat s běžným domovním odpadem. V zájmu ochrany životního prostředí a lidského zdraví zlikvidujte tento výrobek a jeho baterie jako tříděný odpad, který se recykluje způsobem šetrným k životnímu prostředí. Podrobnější informace o sběrných dvorech pro tříděný odpad získáte na obecním úřadě nebo u prodejce, u kterého jste tento výrobek zakoupili. Použité chemické značky Pb, Cd nebo Hg označují, zda baterie obsahuje tyto kovy.

Magyar

A terméken található, áthúzott szemetest ábrázoló címke azt jelzi, hogy ezt a terméket és a hozzá tartozó elemeket nem szabad a rendes háztartási szeméttel együtt kidobni. Az esetleges környezeti- vagy egészségkárosodást megelőzendő, kérjük, hogy ezt a terméket és az elemeket a többi szeméttől elkülönítve helyezze el, és biztosítsa, hogy azt környezetbarát módon újrahasznosítsák. A rendelkezésére álló begyűjtő létesítményekről kérjük tájékozódjon a megfelelő helyi állami szerveknél vagy a viszonteladónál, ahol a terméket vásárolta. A Pb, Cd vagy Hg vegyjelek jelzik, ha ilyen fémeket is felhasználtak az elem gyártása során.

Polski

Symbol przekreślonego kosza znajdujący się na produkcie oznacza, że nie można produktu oraz wewnętrzznego akumulatora utylizować razem z normalnymi odpadami z gospodarstwa domowego. Aby zapobiec potencjalnemu zagrożeniu dla środowiska lub zdrowia ludzkiego, produkt oraz wewnętrzny akumulator należy odseparować od reszty odpadów z gospodarstwa domowego i utylizować w ekologicznie właściwy sposób. Szczegółowe informacje na temat punktów zbiórki odpadów można uzyskać w lokalnych urzędach lub u sprzedawcy danego produktu. Symbole chemiczne Pb, Cd lub Hg oznaczają, że metale te zostały zastosowane w akumulatorze.

Slovensky

Štítok s preškrtnutým odpadkovým košom na kolieskach, ktorý je možné nájsť na výrobku, označuje, že tento produkt a obsiahnuté batérie sa nemajú likvidovať s bežným komunálnym odpadom. V záujme ochrany životného prostredia a ľudského zdravia zlikvidujte tento výrobok a batérie ako triedený odpad, ktorý sa recykluje spôsobom šetrným k životnému prostrediu. Podrobnejšie informácie o zberných dvoroch pre triedený odpad získate na obecnom úrade alebo u predajcu, u ktorého ste príslušný výrobok zakúpili. Použitie chemických značiek Pb, Cd alebo Hg znamená, že tieto kovy sú použité v batériách.

Slovenski

Prečrtan koš za smeti na etiketi, katero lahko najdete na vašem izdelku, pomeni, da niti tega izdelka niti njegovih baterij ne smete odvreči podobno kot vse ostale smeti. Da bi preprečili morebitne škodljive vplive na okolje ali zdravje, ločite izdelek in njegove baterije od vseh ostalih odpadkov in poskrbite, da bodo reciklirani na okolju prijazen način. Natančne informacije o tem, kje se nahajajo primerna odlagališča, pridobite v vašem krajevnem uradu ali pri prodajalcu. Kemijski simboli Pb, Cd in Hg označujejo, katere kovine vsebuje baterija.

Eesti

Teie tootele kleebitud tähis, mis kujutab ratastega prügikonteinerit, millele on rist peale tõmmatud, keelab toote ja sellega kaasasolevate patareide kõrvaldamise majapidamisjäätmetega sarnasel viisil. Keskkonnale või inimeste tervisele tekitava võimaliku kahju vältimiseks eraldage toode ja selle patareid teistest jäätmetest, et tagada nende korduvkasutamise keskkonnasäästlikul viisil. Kui soovite saada rohkem teavet võimalike kogumispunktide kohta, võtke ühendust kohaliku omavalituse ametnikuga või teile toote müünud jaemüüjaga. Keemiliste sümbolite Pb, Cd või Hg kasutamise näitab, kas tootes on vastavaid metalle kasutatud.

Lietuviškai

Užbraukta ratuota šiukšliadėžės etiketė, kurią rasite ant jūsų produkto, reiškia, kad šis produktas ir pridedamos baterijos neturėtų būti išmestas kartu su įprastinėmis buitinėmis šiukšlėmis. Siekiant išvengti galiamos žalos aplinkai bei žmonių sveikatai, prašome atskirti šį produktą ir pridedamas baterijas nuo kitų atliekų, ir įsitikinti, kad jis būtų perdirbtas aplinkai nepavojing būdu. Jei reikia išsamesnės informacijos apie atliekų surinkimo ypatumus, prašome kreiptis į savo vietos valdžios įstaigas arba į mažmeninį pardavėją, iš kurio jūs įsigijote šį produktą. Atitinkamų metalų naudojimas baterijose yra pažymėtas cheminiais simboliais Pb, Cd arba Hg ant baterijų.

Latviski

Marķējums ar pārsvītrotu atkritumu tvertni uz ritenīšiem, kas redzams uz izstrādājuma, norāda, ka šo izstrādājumu un tajā iekļautās baterijas nedrīkst likvidēt kopā ar parastajiem sadzīves atkritumiem. Lai novērstu iespējamo kaitējumu videi vai cilvēku veselībai, lūdzu, atdaliet šo izstrādājumu un tā baterijas no citiem atkritumiem, tādējādi nodrošinot tā otrreizējo pārstrādi videi drošā veidā. Papildinformācijai par pieejamajām atkritumu savākšanas iespējām, lūdzu, sazinieties ar vietējo pašvaldību vai mazumtirgotāju, no kura jūs iegādājāties šo izstrādājumu. Ķīmisko simbolu Pb, Cd un Hg izmantošana uz marķējuma nozīmē, ka šie metāli ir izmantoti baterijā.

Ελληνικά

Η διαγραμμένη ετικέτα του τροχοφόρου κάδου απορριμμάτων που θα βρείτε πάνω στο προϊόν σας υποδεικνύει ότι αυτό το προϊόν και οι ενσωματωμένες μπαταρίες δεν πρέπει να απορρίπτεται μέσω του κανονικού δικτύου αποκομιδής οικιακών απορριμμάτων. Για να αποτρέψετε πιθανές επιπτώσεις στο περιβάλλον ή την ατομική υγεία, παρακαλούμε να διαχωρίσετε αυτό το προϊόν και τις μπαταρίες του από άλλα δίκτυα αποκομιδής ώστε να διασφαλίσετε ότι είναι δυνατή η ανακύκλωσή του με έναν περιβαλλοντικά θεμιτό τρόπο. Για περισσότερες πληροφορίες σχετικά με τις διαθέσιμες δυνατότητες συλλογής απορριμμάτων, παρακαλούμε να επικοινωνήσετε με την τοπική κυβερνητική αρχή ή το κατάστημα λιανικής από όπου αγοράσατε αυτό το προϊόν. Η χρήση των χημικών συμβόλων Pb, Cd ή Hg υποδεικνύει εάν χρησιμοποιούνται τα μέταλλα αυτά στην μπαταρία.

Türkçe

Ürününüzün üzerinde bulunan çarpi işaretli tekerlekli kutu etiketi, bu ürünün ve beraberinde gelen pillerin normal ev atık sistemi vasıtasıyla elden çıkarılmaması gerektiğini gösterir. Çevreye ve insan sağlığına zarar vermeyei önlemek için, lütfen bu ürünü ve pillerini çevreye zarar vermeyecek şekilde geri dönüşüme tabi tutulmak üzere diğer atıklardan ayırın. Mevcut toplama tesisleri ile ilgili ayrıntılı bilgi edinmek için, yerel devlet makamlarıyla veya bu ürünü satın aldığınız satıcıyla irtibata geçin. Pb, Cd veya Hg kimyasal sembollerinin kullanılması, bu metallerin pillerin üretiminde kullanılıp kullanılmadığını ifade eder.

Română

Eticheta arătând un coș de gunoi tăiat cu două linii încrucișate, care poate fi găsită pe produs, indică faptul că acesta și bateriile încorporate nu trebuie aruncate la gunoi laolaltă cu gunoiul menajer. Pentru a evita posibila degradare a mediului înconjurător sau a sănătății umane, colectați separat acest produs și bateriile încorporate și nu împuneți cu gunoiul menajer pentru a vă asigura că acestea pot fi reciclate într-un mod ecologic. Pentru mai multe detalii privind punctele disponibile de colectare, contactați autoritățile locale sau comerciantul de la care ați achiziționat acest produs. Utilizarea simbolurilor unor substanțe chimice precum Pb, Cd sau Hg indică faptul că aceste metale sunt utilizate în baterie.

Български

Етикетът, представляващ зачертано кошче за боклук в кръг, който можете да видите върху вашия продукт, означава, че този продукт и батериите към него не трябва да се изхвърлят заедно с обикновените домакински отпадъци. За предпазване от евентуални щети върху околната среда или човешкото здраве, моля, отделете този продукт и батериите му от останалите отпадъци, за да се гарантира, че той ще бъде рециклиран по екологично съобразен начин. За повече информация относно наличните места за събиране на отпадъци, моля, свържете се с местните власти или търговеца, от когото сте закупили този продукт. Химическите символи Pb, Cd и Hg посочват дали съответните метали са използвани в батерията.

This information only applies to customers in the European Union, according to DIRECTIVE 2006/66/EC OF THE EUROPEAN PARLIAMENT AND OF THE COUNCIL OF 6 September 2006 on batteries and accumulators and waste batteries and accumulators and repealing Directive 91/157/EEC and legislation transposing and implementing it into the various national legal systems.

For other countries, please contact your local government to investigate the possibility of recycling your product.

Bezbednosna uputstva

Znaci za upozorenje, pažnju i napomene

**Upozorenje**

mora se strogo pratiti kako bi se izbegle telesne povrede.

**Pažnja**

mora se poštovati kako ne bi došlo do oštećenja opreme.

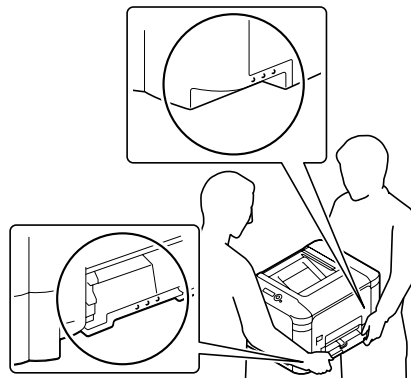
Napomena

sadrži važne informacije i korisne savete o upotrebi štampača.

Važna bezbednosna uputstva

Podešavanje štampača

- ❑ Budući da štampač, s instaliranim potrošnim materijalima, teži približno 27 kg, nikada nemojte sami da ga podižete niti da ga prenosite. Štampač moraju da nose dve osobe, i to tako što će ga podići na odgovarajući način, prikazan ispod.



- ❑ Ako niste u stanju da umetnete AC utikač u električnu utičnicu, obratite se električaru.

- Proverite da li AC kabl za napajanje koji koristite ispunjava važeće lokalne bezbednosne standarde. Koristite isključivo kabl za napajanje koji ste dobili u kompletu sa štampačem. Upotreba drugog kabla može dovesti do požara ili strujnog udara. Kabl za napajanje ovog štampača namenjen je isključivo za upotrebu sa ovim proizvodom. Njegova upotreba sa drugim uređajem može dovesti do požara ili strujnog udara.
- Ako oštetite utikač, zamenite kabl sa utikačem ili se obratite kvalifikovanom električaru. Ako u utikaču postoje osigurači, vodite računa da ih zamenite osiguračima odgovarajuće veličine i jačine.
- Koristite isključivo uzemljenu utičnicu koja odgovara utikaču štampača. Nemojte koristiti adapter za utikač.
- Izbegavajte korišćenje utičnica sa zidnim prekidačem ili automatskim tajmerom. Ako se napajanje slučajno prekine, može doći do gubitka važnih informacija iz memorije računara i štampača.
- Proverite da u utičnici nema prašine.
- Vodite računa da utikač bude potpuno utaknut u mrežnu utičnicu.
- Ne rukujte utikačem ako su vam ruke vlažne.
- U sledećim situacijama, štampač isključite iz zidne utičnice, a servisiranje prepustite kvalifikovanom tehničkom osoblju:
 - A. Ako je kabl za napajanje ili priključak oštećen ili raspletan.
 - B. Ako je u njega ušla tečnost.
 - C. Ako je bio izložen kiši ili vodi.
 - D. Ako ne radi pravilno iako se pridržavate uputstva za upotrebu. Podešavajte samo one kontrole koje su obrađene u uputstvu za upotrebu pošto neodgovarajuća podešavanja drugih kontrola mogu dovesti do oštećenja i često zahtevaju detaljno servisiranje od strane kvalifikovanog tehničkog lica da bi se proizvod ponovo osposobio za normalan rad.
 - E. Ako je pao ili je kućište oštećeno.
 - F. Ako su mu performanse drastično promenjene, što znači da je potrebno servisiranje.
- Izbegavajte deljenje utičnica sa drugim uređajima.

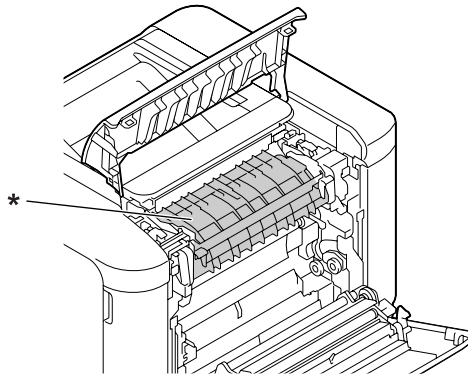
- ❑ Sve uređaje povežite na utičnice za odgovarajućim uzemljenjem. Izbegavajte korišćenje utičnica na istom strujnom kolu na koje su priključeni fotokopir uređaji ili ventilacioni sistemi koji se često uključuju i isključuju.
- ❑ Štampač uključite u električnu utičnicu koja ispunjava specifikacije napajanja ovog štampača. Specifikacije napajanja štampača navedene su na oznaci pričvršćenju za štampač. Ako niste sigurni oko specifikacija napajanja u vašoj oblasti, obratite se lokalnoj elektrodistribuciji ili se posavetujte sa distributerom.
- ❑ Ako sa štampačem koristite produžni kabl, vodite računa da ukupna amperaža uređaja koje ste priključili na produžni kabl ne prekorači amperažu produžnog kabla.
- ❑ Pri povezivanju štampača na računar ili neki drugi uređaj pomoću kabla, vodite računa da priključci budu pravilno okrenuti. Svaki priključak ima samo jedan pravilan položaj. Ako umetnete pogrešan kraj priključka, možete oštetiti oba uređaja koja povezujete kablom.
- ❑ Ako koristite dodatnu tacnu za papir, proverite da li ste ispravno instalirali pozicione štaftove. Za uputstvo kako da instalirate pozicione štaftove, pogledajte User's Guide.

Izbor mesta za štampač

- ❑ Štampač postavite u blizini električne utičnice tako da možete lako uključiti i isključiti kabl za napajanje.
- ❑ Ne stavljajte štampač na mesta na kojima će se kabl gaziti.
- ❑ Nemojte koristiti štampač u vlažnom okruženju.
- ❑ Izbegavajte mesta koja su izložena direktnoj sunčevoj svetlosti, preteranoj toploti, vlazi, uljnim isparenjima ili prašini.
- ❑ Ne postavljajte štampač na nestabilnu podlogu.
- ❑ Prorezi i otvori na kućištu i sa zadnje ili donje strane služe za ventilaciju. Nemojte ih zatvarati ili pokrivati. Štampač nemojte stavljati na krevet, sofu, tepih ili sličnu površinu, kao ni unutar nameštaja osim ako nije obezbeđena odgovarajuća ventilacija.
- ❑ Držite ceo računarski sistem i štampač dalje od potencijalnih izvora elektromagnetnih smetnji, kao što su zvučnici i baze bežičnih telefona.
- ❑ Ostavite dovoljno prostora oko štampača da bi se omogućila odgovarajuća ventilacija.

Korišćenje štampača

- ❑ Vodite računa da ne dodirnete grejač, označen tekstem **CAUTION**, niti okolnu oblast. Ako ste koristili štampač, grejač i njegova okolina mogu biti veoma vrući. Ukoliko je neophodno da dodirnete neku od ovih površina, sačekajte 40 minuta da se površine ohlade.



* CAUTION

- ❑ Ne uvlačite ruku preduboko u grejač pošto su neke komponente oštre i mogu izazvati povrede.
- ❑ U otvore na kućištu nikada nemojte gurati nikakve predmete jer mogu dodirnuti opasne tačke pod naponom ili izazvati kratak spoj, što može dovesti do požara ili električnog udara.
- ❑ Nemojte da sedite ili da se naslanjate na štampač. Nemojte da stavljate teške predmete na štampač.
- ❑ Ne koristite zapaljive gasove u ili oko štampača.
- ❑ Nikada nemojte primenjivati silu kada stavljate komponente štampača na mesto. Iako je štampač proizveden tako da bude otporan, grubim rukovanjem ga možete oštetiti.
- ❑ Ne ostavljajte zaglavljene papir unutar štampača. To može dovesti do pregrevanja štampača.
- ❑ Pazite na ne prospete nikakvu tečnost u štampač.
- ❑ Podešavajte samo one kontrole koje su obrađene u uputstvu za upotrebu. Neodgovarajuća podešavanja drugih kontrola mogu dovesti do oštećenja i često zahtevaju servisiranje od strane kvalifikovanog tehničkog lica.
- ❑ Nemojte isključivati štampač:
 - Nakon uključivanja štampača, sačekajte da se na LCD ekranu pojavi poruka Ready.
 - Za vreme štampanja, ili za vreme drugih radnji, kao što su pisanje podataka na spoljašnje uređaje.
- ❑ Izbegavajte da dodirujete komponente u štampaču, osim ako vam tako nalažu uputstva iz ovog vodiča.

- Pratite sva upozorenja i uputstva označena na štampaču.
- Osim kao što je izričito objašnjeno u dokumentaciji štampača, ne pokušavajte sami da servisirate ovaj uređaj.
- S vremena na vreme izvucite utikač iz električne utičnice i očistite utičnu viljušku.
- Ne izvlačite utikač dok je štampač uključen.
- Ako štampač neće biti korišćen duže vreme, izvucite utikač iz električne utičnice.
- Pre čišćenja, isključite štampač iz zidne utičnice.
- Proizvod čistite dobro iscedenom vlažnom krpom i nemojte koristiti tečna sredstva za čišćenje niti sprejeve.
- Kada pomerate štampač, obavezno ga držite u horizontalnom položaju.
- Ne uklanjajte zaglavljani papir silom. Pocepani papir se teško uklanja i može dovesti do zaglavljivanja drugog papira. Pažljivo izvucite papir da ga ne biste pocepali, da ne bi pao i da se ne biste povredili.
- Prilikom izvlačenja utikača ne povlačite kabl za napajanje. Uvek držite utikač kad ga izvlačite.
- Pazite da ivica papira ne klizi po vašoj koži jer ivica papira može da vas poseče.
- Prilikom transportovanja štampača, ugasite ga i izvucite kabl za napajanje iz utičnice. Obavezno izvucite sve kablove.

Rukovanje potrošnim proizvodima

- Ne sagorevajte korišćene potrošne proizvode jer mogu da eksplodiraju i povrede nekog. Odložite ih u skladu sa lokalnim propisima.
- Potrošne komponente držite van domašaja dece.
- Kada rukujete toner kertridžom, obavezno ga stavite na čistu i glatku površinu.
- Ne pokušavajte da modifikujete toner kertridž niti da ga rastavite.
- Ne dodirujte toner. Uvek udaljavajte toner od očiju. Ako vam toner dospe na kožu ili odeću, odmah ga sperite sapunom i vodom.
- Ako se toner prospe, kupite ga metlom ili vlažnom sapunjavom krpom. Pošto se sitne čestice mogu zapaliti ili eksplodirati ako dođu u kontakt sa varnicom, nemojte koristiti usisivač.

- ❑ Sačekajte najmanje jedan sat pre upotrebe toner kertridža nakon što ste ga preneli iz hladnog u toplo okruženje da ne bi došlo do oštećenja usled kondenzacije.
- ❑ Da biste dobili najbolji kvalitet štampe, toner kertridž nemojte skladištiti na mestu izloženom direktnoj sunčevoj svetlosti, prašini, slanom vazduhu niti korozivnim gasovima (kao što je amonijak). Izbegavajte mesta izložena ekstremnim ili naglim promenama temperature i vlažnosti vazduha.
- ❑ Prilikom vađenja toner kertridža, nemojte ga izlagati sunčevoj svetlosti i izbegavajte da je izlažete sobnom osvetljenju duže od pet minuta. Toner kertridž sadrži bubanj osetljiv na svetlost. Izlaganje svetlosti može oštetiti bubanj, što dovodi do pojave tamnih ili svetlih oblasti na odštampanoj stranici i skraćuje radni vek bubnja. Ako je potrebno da toner kertridž bude duže vreme van štampača, pokrijte ga neprozirnom tkaninom.
- ❑ Vodite računa da ne ogrebetе površinu bubnja. Kada vadite toner kertridž iz štampača, obavezno ga stavite na čistu i glatku površinu. Izbegavajte dodirivanje bubnja, pošto ulja iz vaše kože mogu trajno oštetiti njegovu površinu i negativno uticati na kvalitet štampe.

Bezbednosne informacije

Oznake o bezbednosti lasera



Upozorenje:

Obavljanje procedura i podešavanja nenađenih u dokumentaciji štampača mogu dovesti do opasnog izlaganja radijaciji. Ovaj štampač pripada laserskim proizvodima Klase 1, kao što je definisano u specifikacijama IEC60825. Prikazana oznaka nalazi se sa zadnje strane štampača u zemljama u kojima je to potrebno.



Radijacija internog lasera

Ovo je sklop laserske diode klase III b sa nevidljivim laserskim zrakom unutar glave za štampanje. Glava štampača se NE MOŽE SERVISIRATI, dakle, glavu štampača ne treba otvarati ni pod kojim okolnostima. Dodatna oznaka upozorenja u vezi sa laserima nalazi se u unutrašnjosti štampača.



Bezbednost u vezi sa ozonom

Ispuštanje ozona

Laserski štampači generišu gas ozon kao nusprodukt procesa štampanja. Ozon se proizvodi samo dok je štampanje u toku.

Ograničenje po pitanju izlaganja ozonu

Epson laserski štampač stvara manje od 3 mg/h u toku neprekidnog štampanja.

Smanjivanje rizika

Da biste smanjili opasnost od izloženosti ozonu, trebalo bi da izbegavate sledeće:

- Upotreba više laserskih štampača u zatvorenom prostoru
- Upotreba pri izuzetno niskoj vlažnosti vazduha
- Loša ventilacija u prostoriji
- Dugotrajno, neprekidno štampanje u kombinaciji sa nekim od gornjih uslova

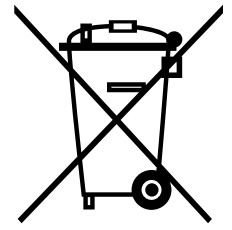
Položaj štampača

Štampač bi trebalo da bude postavljen tako da izduvni gasovi i generisana toplota:

- Ne idu direktno u lice korisniku

- Budu ventilacijom uklonjeni iz zgrade ako je ikako moguće

Battery Addendum



English

The crossed out wheeled bin label that can be found on your product indicates that this product and incorporated batteries should not be disposed of via the normal household waste stream. To prevent possible harm to the environment or human health please separate this product and its batteries from other waste streams to ensure that it can be recycled in an environmentally sound manner. For more details on available collection facilities please contact your local government office or the retailer where you purchased this product. Use of the chemical symbols Pb, Cd or Hg indicates if these metals are used in the battery.

Deutsch

Der Aufkleber mit durchgekrenzter Mülltonne an diesem Produkt weist darauf hin, dass dieses Produkt und darin enthaltene Batterien nicht im normalen Hausmüll entsorgt werden dürfen. Zur Vermeidung einer möglichen Beeinträchtigung der Umwelt oder der menschlichen Gesundheit und um zu gewährleisten, dass es in einer umweltverträglichen Weise recycelt wird, darf dieses Produkt mitsamt den Batterien nicht in den Hausmüll gegeben werden. Informationen zu Entsorgungseinrichtungen erhalten Sie bei der zuständigen Behörde oder dem Händler, bei dem Sie dieses Produkt erworben haben. Die Angabe der chemischen Zeichen Pb, Cd oder Hg bedeutet, dass diese Metalle in der Batterie verwendet werden.

Français

L'étiquette apposée sur ce produit et représentant une poubelle barrée indique que le produit et les piles intégrées ne peuvent être mis au rebut avec les déchets domestiques normaux. Afin d'éviter d'éventuels dommages au niveau de l'environnement ou sur la santé, veuillez séparer ce produit et ses piles des autres déchets de manière à garantir qu'ils soient recyclés de manière sûre au niveau environnemental. Pour plus de détails sur les sites de collecte existants, veuillez contacter l'administration locale ou le détaillant auprès duquel vous avez acheté ce produit. Les symboles chimiques Pb, Cd et Hg sont utilisés pour désigner les métaux présents dans les piles.

Italiano

L'etichetta con il contenitore barrato applicata sull'imballo indica che il prodotto e le batterie incluse non devono essere smaltiti tramite la procedura normale di smaltimento dei rifiuti domestici. Per evitare eventuali danni all'ambiente e alla salute umana, separare questo prodotto e le relative batterie da altri rifiuti domestici in modo che possano essere riciclati in base alle procedure di rispetto dell'ambiente. Per maggiori dettagli sulle strutture di raccolta disponibili, contattare l'ufficio competente del proprio comune o il rivenditore del prodotto. L'uso dei simboli chimici Pb, Cd o Hg indica la presenza di tali metalli nelle batterie.

Español

La etiqueta de un contenedor tachado que hallará en su producto indica que este producto y sus pilas no se pueden tirar con la basura doméstica normal. Para impedir posibles daños medioambientales o para la salud, separe este producto y sus pilas de otros canales de desecho para garantizar que se recicle de una forma segura para el medio ambiente. Para más información sobre las instalaciones de recolección disponibles, diríjase a las autoridades locales o al punto de venta donde adquirió este producto. Los símbolos químicos Pb, Cd o Hg indican que las pilas contienen ese metal.

Português

A etiqueta com o símbolo de um contentor de lixo traçado com uma cruz que aparece no produto indica que este produto e as pilhas incluídas não devem ser deitados fora juntamente com o lixo doméstico. Para evitar possíveis danos no ambiente ou na saúde pública, por favor separe este produto e respectivas pilhas de outros lixos; desta forma, terá a certeza de que podem ser reciclados através de métodos não prejudiciais ao ambiente. Para obter mais informações sobre os locais de recolha de lixo disponíveis, contacte a sua junta de freguesia, câmara municipal ou local onde comprou este produto. A utilização dos símbolos químicos Pb, Cd ou Hg indica se estes metais são utilizados na pilha.

Nederlands

Op uw product is een label van een rolcontainer met een kruis erdoor aangebracht. Dit label wil zeggen dat dit product en de batterijen in het product niet bij het normale huishoudelijk afval mogen worden ingezameld. Om eventuele schade aan het milieu of de gezondheid van de mens te voorkomen moeten dit product en de batterijen gescheiden van al het ander afval worden ingezameld, zodat alles op een verantwoorde wijze kan worden verwerkt. Voor meer informatie over uw lokale afvalinzameling wendt u zich tot uw gemeente of de leverancier bij wie u dit product hebt gekocht. Gebruik van de chemische symbolen Pb, Cd of Hg geeft aan of deze metalen worden gebruikt in de batterij.

Dansk

Etiketten med et kryds over skraldespanden på hjul, der sidder på produktet, angiver, at dette produkt og dets batterier ikke må bortskaffes sammen med almindeligt husholdningsaffald. For at beskytte miljø og helbred skal dette produkt og dets batterier bortskaffes separat, så disse dele kan genbruges på en måde, der er god for miljøet. Kontakt de lokale myndigheder eller den forhandler, hos hvem du har købt produktet, vedrørende steder, hvor du kan aflevere produktet. Brugen af de kemiske symboler Pb, Cd eller Hg angiver, om disse metaller er anvendt i batteriet.

Suomi

Laitte on merkitty jäteastia-symbolilla, jonka yli on vedetty rasti. Tämä tarkoittaa, ettei laitetta tai siihen kuuluvia paristoja saa hävittää normaalin talousjätteen mukana. Älä hävitä laitetta tai sen paristoja normaalin jätteen seassa vaan varmista, että laite kierrätetään ympäristöystävällisellä tavalla, jottei ympäristölle tai ihmisille aiheudu vahinkoa. Lisätietoja kierrätyksestä ja keräyspisteistä saa ottamalla yhteyttä paikallisiin viranomaisiin tai jälleenmyyjään, jolta laite ostettiin. Kemiallisten merkien Pb (lyijy), Cd (kadmium) tai Hg (elohopea) käyttö ilmaisee, että paristo sisältää kyseistä metallia.

Svenska

Symbolen med en överkorsad soptunna innebär att denna produkt och tillhörande batterier inte får kastas i vanligt hushållsavfall. För att skydda miljön ska denna produkt och dess batterier inte kastas tillsammans med vanligt hushållsavfall utan lämnas för återvinning på tillbörligt sätt. För mer information om uppsamlingsplatser kontakta din lokala myndighet eller den återförsäljare där du har köpt produkten. De kemiska symbolerna Pb, Cd eller Hg visar om dessa metaller används i batteriet.

Norsk

Etiketten på hjulbeholderen på produktet ditt antyder at produktet og batteriene som hører med, ikke skal avhendes sammen med vanlig husholdningsavfall. Hold produktet og batteriene atskilt fra annet avfall, slik at det kan resirkuleres på en miljømessig og forsvarlig måte og dermed forhindre eventuell skade på miljø eller helse. Kontakt lokale myndigheter, eller din forhandler, for mer informasjon angående avhenting av produktet. De kjemiske symbolene Pb, Cd og Hg antyder om disse metallene har blitt brukt i batteriet.

Česky

Štítek s přeškrtnutým odpadkovým košem na kolečkách, který lze nalézt na výrobku, označuje, že se tento výrobek a přiložené baterie nemají likvidovat s běžným domovním odpadem. V zájmu ochrany životního prostředí a lidského zdraví zlikvidujte tento výrobek a jeho baterie jako tříděný odpad, který se recykluje způsobem šetrným k životnímu prostředí. Podrobnější informace o sběrných dvorech pro tříděný odpad získáte na obecním úřadě nebo u prodejce, u kterého jste tento výrobek zakoupili. Použité chemické značky Pb, Cd nebo Hg označují, zda baterie obsahuje tyto kovy.

Magyar

A terméken található, áthúzott szemetest ábrázoló címke azt jelzi, hogy ezt a terméket és a hozzá tartozó elemeket nem szabad a rendes háztartási szeméttel együtt kidobni. Az esetleges környezeti- vagy egészségkárosodást megelőzendő, kérjük, hogy ezt a terméket és az elemeket a többi szeméttől elkülönítve helyezze el, és biztosítsa, hogy azt környezetbarát módon újrahasznosítsák. A rendelkezésére álló begyűjtő létesítményekről kérjük tájékozódjon a megfelelő helyi állami szerveknél vagy a viszonteladónál, ahol a terméket vásárolta. A Pb, Cd vagy Hg vegyjelek jelzik, ha ilyen fémeket is felhasználtak az elem gyártása során.

Polski

Symbol przekreślonego kosza znajdujący się na produkcie oznacza, że nie można produktu oraz wewnętrzznego akumulatora utylizować razem z normalnymi odpadami z gospodarstwa domowego. Aby zapobiec potencjalnemu zagrożeniu dla środowiska lub zdrowia ludzkiego, produkt oraz wewnętrzny akumulator należy odseparować od reszty odpadów z gospodarstwa domowego i utylizować w ekologicznie właściwy sposób. Szczegółowe informacje na temat punktów zbiórki odpadów można uzyskać w lokalnych urzędach lub u sprzedawcy danego produktu. Symbole chemiczne Pb, Cd lub Hg oznaczają, że metale te zostały zastosowane w akumulatorze.

Slovensky

Štítok s preškrtnutým odpadkovým košom na kolieskach, ktorý je možné nájsť na výrobku, označuje, že tento produkt a obsiahnuté batérie sa nemajú likvidovať s bežným komunálnym odpadom. V záujme ochrany životného prostredia a ľudského zdravia zlikvidujte tento výrobok a batérie ako triedený odpad, ktorý sa recykluje spôsobom šetrným k životnému prostrediu. Podrobnejšie informácie o zberných dvoroch pre triedený odpad získate na obecnom úrade alebo u predajcu, u ktorého ste príslušný výrobok zakúpili. Použitie chemických značiek Pb, Cd alebo Hg znamená, že tieto kovy sú použité v batériách.

Slovenski

Prečrtan koš za smeti na etiketi, katero lahko najdete na vašem izdelku, pomeni, da niti tega izdelka niti njegovih baterij ne smete odvreči podobno kot vse ostale smeti. Da bi preprečili morebitne škodljive vplive na okolje ali zdravje, ločite izdelek in njegove baterije od vseh ostalih odpadkov in poskrbite, da bodo reciklirani na okolju prijazen način. Natančne informacije o tem, kje se nahajajo primerna odlagališča, pridobite v vašem krajevnem uradu ali pri prodajalcu. Kemijski simboli Pb, Cd in Hg označujejo, katere kovine vsebuje baterija.

Eesti

Teie tootele kleebitud tähis, mis kujutab ratastega prügikonteinerit, millele on rist peale tõmmatud, keelab toote ja sellega kaasasolevate patareide kõrvaldamise majapidamisjäätmetega sarnasel viisil. Keskkonnale või inimeste tervisele tekitava võimaliku kahju vältimiseks eraldage toode ja selle patareid teistest jäätmetest, et tagada nende korduvkasutamise keskkonnasäästlikul viisil. Kui soovite saada rohkem teavet võimalike kogumispunktide kohta, võtke ühendust kohaliku omavalituse ametnikuga või teile toote müünud jaemüüjaga. Keemiliste sümbolite Pb, Cd või Hg kasutamise näitab, kas tootes on vastavaid metalle kasutatud.

Lietuviškai

Užbraukta ratuota šiukšliadėžės etiketė, kurią rasite ant jūsų produkto, reiškia, kad šis produktas ir pridedamos baterijos neturėtų būti išmestas kartu su įprastinėmis buitinėmis šiukšlėmis. Siekiant išvengti galimos žalos aplinkai bei žmonių sveikatai, prašome atskirti šį produktą ir pridedamas baterijas nuo kitų atliekų, ir įsitikinti, kad jis būtų perdirbtas aplinkai nepavojing būdu. Jei reikia išsamesnės informacijos apie atliekų surinkimo ypatumus, prašome kreiptis į savo vietos valdžios įstaigas arba į mažmeninį pardavėją, iš kurio jūs įsigijote šį produktą. Atitinkamų metalų naudojimas baterijose yra pažymėtas cheminiais simboliais Pb, Cd arba Hg ant baterijų.

Latviski

Marķējums ar pārsvītrotu atkritumu tvertni uz ritenīšiem, kas redzams uz izstrādājuma, norāda, ka šo izstrādājumu un tajā iekļautās baterijas nedrīkst likvidēt kopā ar parastajiem sadzīves atkritumiem. Lai novērstu iespējamo kaitējumu videi vai cilvēku veselībai, lūdzu, atdaliet šo izstrādājumu un tā baterijas no citiem atkritumiem, tādējādi nodrošinot tā otrreizējo pārstrādi videi drošā veidā. Papildinformācijai par pieejamajām atkritumu savākšanas iespējām, lūdzu, sazinieties ar vietējo pašvaldību vai mazumtirgotāju, no kura jūs iegādājāties šo izstrādājumu. Ķīmisko simbolu Pb, Cd un Hg izmantošana uz marķējuma nozīmē, ka šie metāli ir izmantoti baterijā.

Ελληνικά

Η διαγραμμένη ετικέτα του τροχοφόρου κάδου απορριμμάτων που θα βρείτε πάνω στο προϊόν σας υποδεικνύει ότι αυτό το προϊόν και οι ενσωματωμένες μπαταρίες δεν πρέπει να απορρίπτεται μέσω του κανονικού δικτύου αποκομιδής οικιακών απορριμμάτων. Για να αποτρέψετε πιθανές επιπτώσεις στο περιβάλλον ή την ατομική υγεία, παρακαλούμε να διαχωρίσετε αυτό το προϊόν και τις μπαταρίες του από άλλα δίκτυα αποκομιδής ώστε να διασφαλίσετε ότι είναι δυνατή η ανακύκλωσή του με έναν περιβαλλοντικά θεμιτό τρόπο. Για περισσότερες πληροφορίες σχετικά με τις διαθέσιμες δυνατότητες συλλογής απορριμμάτων, παρακαλούμε να επικοινωνήσετε με την τοπική κυβερνητική αρχή ή το κατάστημα λιανικής από όπου αγοράσατε αυτό το προϊόν. Η χρήση των χημικών συμβόλων Pb, Cd ή Hg υποδεικνύει εάν χρησιμοποιούνται τα μέταλλα αυτά στην μπαταρία.

Türkçe

Ürününüzün üzerinde bulunan çarpi işaretli tekerlekli kutu etiketi, bu ürünün ve beraberinde gelen pillerin normal ev atık sistemi vasıtasıyla elden çıkarılmaması gerektiğini gösterir. Çevreye ve insan sağlığına zarar vermeyei önlemek için, lütfen bu ürünü ve pillerini çevreye zarar vermeyecek şekilde geri dönüşüme tabi tutulmak üzere diğer atıklardan ayırın. Mevcut toplama tesisleri ile ilgili ayrıntılı bilgi edinmek için, yerel devlet makamlarıyla veya bu ürünü satın aldığınız satıcıyla irtibata geçin. Pb, Cd veya Hg kimyasal sembollerinin kullanılması, bu metallerin pillerin üretiminde kullanılıp kullanılmadığını ifade eder.

Română

Eticheta arătând un coș de gunoi tăiat cu două linii încrucișate, care poate fi găsită pe produs, indică faptul că acesta și bateriile încorporate nu trebuie aruncate la gunoi laolaltă cu gunoiul menajer. Pentru a evita posibila degradare a mediului înconjurător sau a sănătății umane, colectați separat acest produs și bateriile încorporate și nu împuneți cu gunoiul menajer pentru a vă asigura că acestea pot fi reciclate într-un mod ecologic. Pentru mai multe detalii privind punctele disponibile de colectare, contactați autoritățile locale sau comerciantul de la care ați achiziționat acest produs. Utilizarea simbolurilor unor substanțe chimice precum Pb, Cd sau Hg indică faptul că aceste metale sunt utilizate în baterie.

Български

Етикетът, представляващ зачертано кошче за боклук в кръг, който можете да видите върху вашия продукт, означава, че този продукт и батериите към него не трябва да се изхвърлят заедно с обикновените домакински отпадъци. За предпазване от евентуални щети върху околната среда или човешкото здраве, моля, отделете този продукт и батериите му от останалите отпадъци, за да се гарантира, че той ще бъде рециклиран по екологично съобразен начин. За повече информация относно наличните места за събиране на отпадъци, моля, свържете се с местните власти или търговеца, от когото сте закупили този продукт. Химическите символи Pb, Cd и Hg посочват дали съответните метали са използвани в батерията.

This information only applies to customers in the European Union, according to DIRECTIVE 2006/66/EC OF THE EUROPEAN PARLIAMENT AND OF THE COUNCIL OF 6 September 2006 on batteries and accumulators and waste batteries and accumulators and repealing Directive 91/157/EEC and legislation transposing and implementing it into the various national legal systems.

For other countries, please contact your local government to investigate the possibility of recycling your product.

Важные инструкции по безопасности

Предупреждения, предостережения и примечания



Предупреждения

необходимо соблюдать во избежание телесных травм.



Предостережения

необходимо соблюдать, чтобы не повредить оборудование.

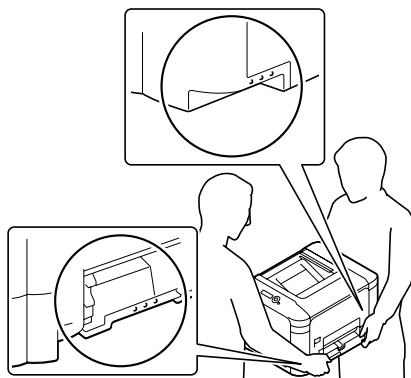
Примечания

содержат важные сведения и полезные советы по работе с принтером.

Важные инструкции по безопасности

При установке данного устройства

- ❑ Поскольку принтер весит приблизительно 27 кг с установленными материалами, одному человеку не следует поднимать или переносить его. Принтер следует переносить вдвоем, подхватывая его в определенных местах, как показано ниже.



- ❑ Если вы не можете подключить вилку к розетке, обратитесь к электрику.

- Убедитесь, что шнур питания отвечает соответствующим местным стандартам безопасности. Используйте только шнур питания, который поставляется с устройством. Применение другого шнура может привести к возгоранию или поражению электрическим током. Шнур питания, прилагаемый к устройству, предназначен для использования только с этим устройством. Применение этого шнура для подключения другой аппаратуры может привести к возгоранию или поражению электрическим током.
- Если вилка повреждена, замените весь кабель или обратитесь к квалифицированному электрику. Если в вилку устанавливается предохранитель, убедитесь, что вы заменили его предохранителем подходящего размера и номинала.
- Пользуйтесь заземленной розеткой, соответствующей вилке сетевого шнура принтера. Не пользуйтесь адаптером для вилки.
- Не используйте электрическую розетку, которая управляется настенным выключателем или автоматическим таймером. Случайное размыкание цепи электропитания может привести к потере ценной информации из памяти компьютера и принтера.
- Убедитесь, что в гнездах разъемов нет пыли
- Убедитесь, что вилка шнура питания полностью вставлена в электрическую розетку.
- Не касайтесь шнура питания мокрыми руками.
- Отключите устройство от источника питания и обратитесь для обслуживания к квалифицированному персоналу в следующих случаях:
 - A. Шнур питания поврежден или перетерся.
 - B. В принтер была пролита жидкость.
 - C. Принтер попал под дождь или в воду.
 - D. Принтер работает неправильно при полном соблюдении инструкций по работе. Выполняйте только регулировки, которые описаны в инструкции по эксплуатации; недопустимые регулировки могут привести к повреждениям, требующим сложного ремонта и обращения к квалифицированному персоналу.
 - E. Принтер уронили или его корпус поврежден.
 - F. Принтер работает с заметными отклонениями от обычного состояния, необходимо обслуживание.
- Не включайте принтер в одну розетку с другими приборами.

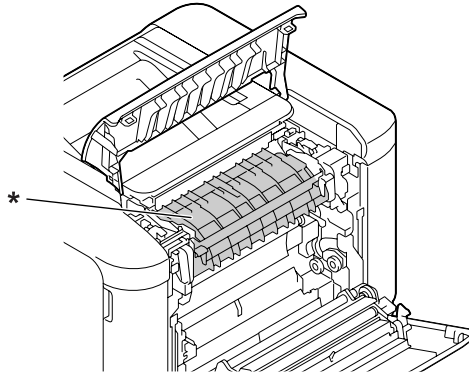
- ❑ Подключайте все устройства к правильно заземленным розеткам электропитания. Не подключайте устройства к розеткам, от которых питаются регулярно включающиеся и выключающиеся фотокопировальные аппараты или системы кондиционирования.
- ❑ Подключите принтер к электрической розетке, которая отвечает его электрическим параметрам. Электрические параметры принтера указаны на этикетке, прикрепленной к его корпусу. Если вам неизвестны характеристики электрического тока в вашей местности, обратитесь в местное управление электроснабжения или к своему поставщику.
- ❑ Если вы используете удлинитель, убедитесь, что общая нагрузка от всех устройств, подключенных к удлинителю, не превышает максимально допустимой.
- ❑ При подключении данного продукта к компьютеру или другому устройству с помощью кабеля убедитесь в правильности ориентации разъемов. Каждый разъем можно подключить лишь одним способом. Если вставить разъем неправильно, можно повредить оба устройства, соединенные кабелем.
- ❑ При использовании дополнительной кассеты для бумаги не забудьте правильно установить контрольные штифты. Для получения инструкций по установке контрольных штифтов, обратитесь к документу Инструкция по эксплуатации.

Выбор места для установки принтера

- ❑ Размещайте принтер рядом с электрической розеткой, откуда при необходимости можно легко отключить шнур питания.
- ❑ Не устанавливайте принтер в местах, где на его шнур могут наступить.
- ❑ Не используйте принтер в сырых помещениях.
- ❑ Не устанавливайте принтер в местах, подверженных воздействию прямого солнечного света, нефтяных испарений, высокой температуры и влажности, а также в запыленных помещениях.
- ❑ Не устанавливайте принтер на неустойчивых поверхностях.
- ❑ Слоты и отверстия в корпусе, на тыльной или нижней сторонах предназначены для вентиляции. Не блокируйте и не закрывайте их. Не ставьте принтер на кровать, софу, ковер или подобные поверхности и не встраивайте его, если не обеспечена хорошая вентиляция.
- ❑ Устанавливайте компьютер и принтер вдали от потенциальных источников помех, таких как громкоговорители или базовые модули беспроводных телефонов.
- ❑ Вокруг принтера должно быть достаточно места для обеспечения хорошей вентиляции.

При работе с устройством

- ❑ Не прикасайтесь к блоку печки, на который нанесена метка **ОСТОРОЖНО**, и к соседним областям. Во время использования принтера эти области сильно нагреваются. Если необходимо к ним прикоснуться, подождите 40 минут, пока области не остынут.



* **ОСТОРОЖНО**

- ❑ Не просовывайте руку внутрь блока печки, поскольку некоторые компоненты имеют острые края и могут нанести травму.
- ❑ Никогда не вставляйте предметы в отверстия на корпусе принтера — они могут прикоснуться к точкам высокого напряжения и вызвать короткое замыкание, что приведет к пожару или поражению электрическим током.
- ❑ Не садитесь и не опирайтесь на принтер. Не кладите на принтер тяжелые предметы.
- ❑ Не используйте рядом с принтером легковоспламеняющиеся вещества.
- ❑ Никогда не применяйте силу для установки компонентов на место. Хотя принтер — прочное устройство, грубое обращение может привести к его повреждению.
- ❑ Не оставляйте замятую бумагу внутри принтера. Это может привести к перегреву принтера.
- ❑ Никогда не проливайте жидкость на принтер.
- ❑ Выполняйте только регулировки, которые описаны в инструкции по эксплуатации. Недозволенные регулировки могут привести к повреждению принтера; для ремонта потребуется обратиться к квалифицированному персоналу.

- ❑ Не выключайте принтер:
 - После включения принтера подождите, пока на ЖК-панели не появится индикатор Ready (Готов).
 - Во время печати или при выполнении других операций, например записи данных на внешние устройства.
- ❑ Не прикасайтесь к деталям внутри принтера, если это не оговорено в инструкции.
- ❑ Следуйте всем предупреждениям и инструкциям, нанесенным на корпус принтера.
- ❑ Не пытайтесь самостоятельно ремонтировать устройство, если это не оговорено в руководстве.
- ❑ Периодически отключайте шнур питания от электрической розетки и очищайте контакты.
- ❑ Не отключайте шнур питания во время печати.
- ❑ Если принтер не используется продолжительный период времени, выньте шнур питания из розетки.
- ❑ Перед очисткой принтера отключайте его от электрической розетки.
- ❑ Очищайте принтер хорошо отжатой влажной тканью; не используйте жидкие или аэрозольные средства.
- ❑ При переносе принтера сохраняйте горизонтальное положение.
- ❑ Не тяните замятую бумагу с усилием. Порванную бумагу трудно извлекать, и она может быть причиной повторных замятий. Осторожно и равномерно вытягивайте бумагу, чтобы не порвать ее, не уронить и не пораниться.
- ❑ Вынимая вилку, не тяните за шнур питания. При отключении шнура следует взяться за вилку.
- ❑ Не допускайте проскальзывания края бумаги вдоль ваших рук, иначе вы можете порезаться.
- ❑ Перед транспортировкой принтера необходимо его выключить и вынуть шнур питания из электрической розетки. Не забудьте отсоединить все кабели.

Обращение с расходными материалами

- ❑ Не сжигайте использованные расходные материалы - это может привести к взрыву и телесным травмам. Утилизируйте их согласно местному природоохранному законодательству.

- ❑ Храните расходные материалы в местах, недоступных детям.
- ❑ При обращении с тонер-картриджем всегда кладите его на чистую ровную поверхность.
- ❑ Не пытайтесь модифицировать или разбирать картриджи с тонером.
- ❑ Не трогайте тонер руками. Не допускайте его попадания в глаза. Если тонер попал на кожу или одежду, немедленно смойте его водой с мылом.
- ❑ Если тонер просыпался, соберите его при помощи веника и совка или влажной намоченной ткани. Поскольку искра может вызвать воспламенение или взрыв мелких частиц, не собирайте тонер пылесосом.
- ❑ Если картридж с тонером был внесен с холодного воздуха в теплое помещение, перед его установкой он должен прогреться в течение часа во избежание повреждения из-за конденсации влаги.
- ❑ Чтобы обеспечить наилучшее качество печати, храните картридж вдали от прямого солнечного света, пыли, соляных паров или вызывающих коррозию газов (например, аммония). Избегайте хранилищ с экстремальными условиями и резкими перепадами температур и влажности воздуха.
- ❑ При извлечении картриджа не выносите его на солнечный свет и не допускайте его пребывания при комнатном освещении более пяти минут. В картридже находится светочувствительный барабан. Свет может повредить барабан и привести к появлению темных или светлых областей на напечатанном изображении и сокращению срока службы барабана. Если вам нужно в течение долгого времени хранить картридж отдельно от принтера, заверните его в непрозрачную ткань.
- ❑ Не царапайте поверхность барабана. При извлечении картриджа всегда кладите его на чистую ровную поверхность. Не прикасайтесь к барабану, поскольку на его поверхности могут остаться жировые отпечатки, ухудшающие качество печати.

Сведения о безопасности

Этикетки со сведениями о лазерной безопасности



Предупреждение

Выполнение действий и регулировок, не описанных в документации по принтеру, может привести к опасному радиоактивному облучению. Этот принтер является лазерным продуктом класса 1, как определено в характеристиках IEC60825. Указанная наклейка прикрепляется к тыльной стороне принтера в странах, где это необходимо.



Внутреннее лазерное излучение

Этот продукт является устройством с лазерным диодом класса III b с лазерным лучом за пределами видимого диапазона. Блок печатающей головки ОБСЛУЖИВАНИЮ НЕ ПОДЛЕЖИТ, поэтому блок печатающей головки нельзя открывать ни при каких обстоятельствах. Дополнительная наклейка с предупреждением о лазере находится внутри принтера.



Озоновая безопасность

Выделение озона

Озон выделяется в лазерных принтерах как побочный продукт процесса печати. Озон выделяется только тогда, когда принтер печатает.

Ограничение на выход озона

Лазерный принтер Epson создает менее 3 мг/ч при непрерывной печати.

Минимизация риска

Для уменьшения риска выхода озона остерегайтесь следующего:

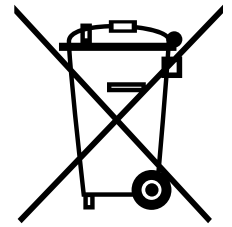
- использования нескольких лазерных принтеров в замкнутом помещении;
- работы в условиях чрезвычайно низкой влажности;
- плохой вентиляции помещений;
- продолжительной непрерывной печати в сочетании с любым из вышеприведенных условий.

Размещение принтера

Принтер должен быть размещен таким образом, чтобы выходящие газы и производимое тепло:

- не были направлены в лицо пользователя;
- при помощи вытяжной вентиляции выводились напрямую из здания, если это возможно.

Battery Addendum



English

The crossed out wheeled bin label that can be found on your product indicates that this product and incorporated batteries should not be disposed of via the normal household waste stream. To prevent possible harm to the environment or human health please separate this product and its batteries from other waste streams to ensure that it can be recycled in an environmentally sound manner. For more details on available collection facilities please contact your local government office or the retailer where you purchased this product. Use of the chemical symbols Pb, Cd or Hg indicates if these metals are used in the battery.

Deutsch

Der Aufkleber mit durchgekrenzter Mülltonne an diesem Produkt weist darauf hin, dass dieses Produkt und darin enthaltene Batterien nicht im normalen Hausmüll entsorgt werden dürfen. Zur Vermeidung einer möglichen Beeinträchtigung der Umwelt oder der menschlichen Gesundheit und um zu gewährleisten, dass es in einer umweltverträglichen Weise recycelt wird, darf dieses Produkt mitsamt den Batterien nicht in den Hausmüll gegeben werden. Informationen zu Entsorgungseinrichtungen erhalten Sie bei der zuständigen Behörde oder dem Händler, bei dem Sie dieses Produkt erworben haben. Die Angabe der chemischen Zeichen Pb, Cd oder Hg bedeutet, dass diese Metalle in der Batterie verwendet werden.

Français

L'étiquette apposée sur ce produit et représentant une poubelle barrée indique que le produit et les piles intégrées ne peuvent être mis au rebut avec les déchets domestiques normaux. Afin d'éviter d'éventuels dommages au niveau de l'environnement ou sur la santé, veuillez séparer ce produit et ses piles des autres déchets de manière à garantir qu'ils soient recyclés de manière sûre au niveau environnemental. Pour plus de détails sur les sites de collecte existants, veuillez contacter l'administration locale ou le détaillant auprès duquel vous avez acheté ce produit. Les symboles chimiques Pb, Cd et Hg sont utilisés pour désigner les métaux présents dans les piles.

Italiano

L'etichetta con il contenitore barrato applicata sull'imballo indica che il prodotto e le batterie incluse non devono essere smaltiti tramite la procedura normale di smaltimento dei rifiuti domestici. Per evitare eventuali danni all'ambiente e alla salute umana, separare questo prodotto e le relative batterie da altri rifiuti domestici in modo che possano essere riciclati in base alle procedure di rispetto dell'ambiente. Per maggiori dettagli sulle strutture di raccolta disponibili, contattare l'ufficio competente del proprio comune o il rivenditore del prodotto. L'uso dei simboli chimici Pb, Cd o Hg indica la presenza di tali metalli nelle batterie.

Español

La etiqueta de un contenedor tachado que hallará en su producto indica que este producto y sus pilas no se pueden tirar con la basura doméstica normal. Para impedir posibles daños medioambientales o para la salud, separe este producto y sus pilas de otros canales de desecho para garantizar que se recicle de una forma segura para el medio ambiente. Para más información sobre las instalaciones de recolección disponibles, diríjase a las autoridades locales o al punto de venta donde adquirió este producto. Los símbolos químicos Pb, Cd o Hg indican que las pilas contienen ese metal.

Português

A etiqueta com o símbolo de um contentor de lixo traçado com uma cruz que aparece no produto indica que este produto e as pilhas incluídas não devem ser deitados fora juntamente com o lixo doméstico. Para evitar possíveis danos no ambiente ou na saúde pública, por favor separe este produto e respectivas pilhas de outros lixos; desta forma, terá a certeza de que podem ser reciclados através de métodos não prejudiciais ao ambiente. Para obter mais informações sobre os locais de recolha de lixo disponíveis, contacte a sua junta de freguesia, câmara municipal ou local onde comprou este produto. A utilização dos símbolos químicos Pb, Cd ou Hg indica se estes metais são utilizados na pilha.

Nederlands

Op uw product is een label van een rolcontainer met een kruis erdoor aangebracht. Dit label wil zeggen dat dit product en de batterijen in het product niet bij het normale huishoudelijk afval mogen worden ingezameld. Om eventuele schade aan het milieu of de gezondheid van de mens te voorkomen moeten dit product en de batterijen gescheiden van al het ander afval worden ingezameld, zodat alles op een verantwoorde wijze kan worden verwerkt. Voor meer informatie over uw lokale afvalinzameling wendt u zich tot uw gemeente of de leverancier bij wie u dit product hebt gekocht. Gebruik van de chemische symbolen Pb, Cd of Hg geeft aan of deze metalen worden gebruikt in de batterij.

Dansk

Etiketten med et kryds over skraldespanden på hjul, der sidder på produktet, angiver, at dette produkt og dets batterier ikke må bortskaffes sammen med almindeligt husholdningsaffald. For at beskytte miljø og helbred skal dette produkt og dets batterier bortskaffes separat, så disse dele kan genbruges på en måde, der er god for miljøet. Kontakt de lokale myndigheder eller den forhandler, hos hvem du har købt produktet, vedrørende steder, hvor du kan aflevere produktet. Brugen af de kemiske symboler Pb, Cd eller Hg angiver, om disse metaller er anvendt i batteriet.

Suomi

Laitte on merkitty jäteastia-symbolilla, jonka yli on vedetty rasti. Tämä tarkoittaa, ettei laitetta tai siihen kuuluvia paristoja saa hävittää normaalin talousjätteen mukana. Älä hävitä laitetta tai sen paristoja normaalin jätteen seassa vaan varmista, että laite kierrätetään ympäristöystävällisellä tavalla, jottei ympäristölle tai ihmisille aiheudu vahinkoa. Lisätietoja kierrätyksestä ja keräyspisteistä saa ottamalla yhteyttä paikallisiin viranomaisiin tai jälleenmyyjään, jolta laite ostettiin. Kemiallisten merkien Pb (lyijy), Cd (kadmium) tai Hg (elohopea) käyttö ilmaisee, että paristo sisältää kyseistä metallia.

Svenska

Symbolen med en överkorsad soptunna innebär att denna produkt och tillhörande batterier inte får kastas i vanligt hushållsavfall. För att skydda miljön ska denna produkt och dess batterier inte kastas tillsammans med vanligt hushållsavfall utan lämnas för återvinning på tillbörligt sätt. För mer information om uppsamlingsplatser kontakta din lokala myndighet eller den återförsäljare där du har köpt produkten. De kemiska symbolerna Pb, Cd eller Hg visar om dessa metaller används i batteriet.

Norsk

Etiketten på hjulbeholderen på produktet ditt antyder at produktet og batteriene som hører med, ikke skal avhendes sammen med vanlig husholdningsavfall. Hold produktet og batteriene atskilt fra annet avfall, slik at det kan resirkuleres på en miljømessig og forsvarlig måte og dermed forhindre eventuell skade på miljø eller helse. Kontakt lokale myndigheter, eller din forhandler, for mer informasjon angående avhenting av produktet. De kjemiske symbolene Pb, Cd og Hg antyder om disse metallene har blitt brukt i batteriet.

Česky

Štítek s přeškrtnutým odpadkovým košem na kolečkách, který lze nalézt na výrobku, označuje, že se tento výrobek a přiložené baterie nemají likvidovat s běžným domovním odpadem. V zájmu ochrany životního prostředí a lidského zdraví zlikvidujte tento výrobek a jeho baterie jako tříděný odpad, který se recykluje způsobem šetrným k životnímu prostředí. Podrobnější informace o sběrných dvorech pro tříděný odpad získáte na obecním úřadě nebo u prodejce, u kterého jste tento výrobek zakoupili. Použité chemické značky Pb, Cd nebo Hg označují, zda baterie obsahuje tyto kovy.

Magyar

A terméken található, áthúzott szemetest ábrázoló címke azt jelzi, hogy ezt a terméket és a hozzá tartozó elemeket nem szabad a rendes háztartási szeméttel együtt kidobni. Az esetleges környezeti- vagy egészségkárosodást megelőzendő, kérjük, hogy ezt a terméket és az elemeket a többi szeméttől elkülönítve helyezze el, és biztosítsa, hogy azt környezetbarát módon újrahasznosítsák. A rendelkezésére álló begyűjtő létesítményekről kérjük tájékozódjon a megfelelő helyi állami szerveknél vagy a viszonteladónál, ahol a terméket vásárolta. A Pb, Cd vagy Hg vegyjelek jelzik, ha ilyen fémeket is felhasználtak az elem gyártása során.

Polski

Symbol przekreślonego kosza znajdujący się na produkcie oznacza, że nie można produktu oraz wewnętrzznego akumulatora utylizować razem z normalnymi odpadami z gospodarstwa domowego. Aby zapobiec potencjalnemu zagrożeniu dla środowiska lub zdrowia ludzkiego, produkt oraz wewnętrzny akumulator należy odseparować od reszty odpadów z gospodarstwa domowego i utylizować w ekologicznie właściwy sposób. Szczegółowe informacje na temat punktów zbiórki odpadów można uzyskać w lokalnych urzędach lub u sprzedawcy danego produktu. Symbole chemiczne Pb, Cd lub Hg oznaczają, że metale te zostały zastosowane w akumulatorze.

Slovensky

Štítok s preškrtnutým odpadkovým košom na kolieskach, ktorý je možné nájsť na výrobku, označuje, že tento produkt a obsiahnuté batérie sa nemajú likvidovať s bežným komunálnym odpadom. V záujme ochrany životného prostredia a ľudského zdravia zlikvidujte tento výrobok a batérie ako triedený odpad, ktorý sa recykluje spôsobom šetrným k životnému prostrediu. Podrobnejšie informácie o zberných dvoroch pre triedený odpad získate na obecnom úrade alebo u predajcu, u ktorého ste príslušný výrobok zakúpili. Použitie chemických značiek Pb, Cd alebo Hg znamená, že tieto kovy sú použité v batériách.

Slovenski

Prečrtan koš za smeti na etiketi, katero lahko najdete na vašem izdelku, pomeni, da niti tega izdelka niti njegovih baterij ne smete odvreči podobno kot vse ostale smeti. Da bi preprečili morebitne škodljive vplive na okolje ali zdravje, ločite izdelek in njegove baterije od vseh ostalih odpadkov in poskrbite, da bodo reciklirani na okolju prijazen način. Natančne informacije o tem, kje se nahajajo primerna odlagališča, pridobite v vašem krajevnem uradu ali pri prodajalcu. Kemijski simboli Pb, Cd in Hg označujejo, katere kovine vsebuje baterija.

Eesti

Teie tootele kleebitud tähis, mis kujutab ratastega prügikonteinerit, millele on rist peale tõmmatud, keelab toote ja sellega kaasasolevate patareide kõrvaldamise majapidamisjäätmetega sarnasel viisil. Keskkonnale või inimeste tervisele tekitava võimaliku kahju vältimiseks eraldage toode ja selle patareid teistest jäätmetest, et tagada nende korduvkasutamise keskkonnasäästlikul viisil. Kui soovite saada rohkem teavet võimalike kogumispunktide kohta, võtke ühendust kohaliku omavalituse ametnikuga või teile toote müünud jaemüüjaga. Keemiliste sümbolite Pb, Cd või Hg kasutamise näitab, kas tootes on vastavaid metalle kasutatud.

Lietuviškai

Užbraukta ratuota šiukšliadėžės etiketė, kurią rasite ant jūsų produkto, reiškia, kad šis produktas ir pridedamos baterijos neturėtų būti išmestas kartu su įprastinėmis buitinėmis šiukšlėmis. Siekiant išvengti galiamos žalos aplinkai bei žmonių sveikatai, prašome atskirti šį produktą ir pridedamas baterijas nuo kitų atliekų, ir įsitikinti, kad jis būtų perdirbtas aplinkai nepavojing būdu. Jei reikia išsamesnės informacijos apie atliekų surinkimo ypatumus, prašome kreiptis į savo vietos valdžios įstaigas arba į mažmeninį pardavėją, iš kurio jūs įsigijote šį produktą. Atitinkamų metalų naudojimas baterijose yra pažymėtas cheminiais simboliais Pb, Cd arba Hg ant baterijų.

Latviski

Marķējums ar pārsvītrotu atkritumu tvertni uz ritenīšiem, kas redzams uz izstrādājuma, norāda, ka šo izstrādājumu un tajā iekļautās baterijas nedrīkst likvidēt kopā ar parastajiem sadzīves atkritumiem. Lai novērstu iespējamo kaitējumu videi vai cilvēku veselībai, lūdzu, atdaliet šo izstrādājumu un tā baterijas no citiem atkritumiem, tādējādi nodrošinot tā otrreizējo pārstrādi videi drošā veidā. Papildinformācijai par pieejamajām atkritumu savākšanas iespējām, lūdzu, sazinieties ar vietējo pašvaldību vai mazumtirgotāju, no kura jūs iegādājāties šo izstrādājumu. Ķīmisko simbolu Pb, Cd un Hg izmantošana uz marķējuma nozīmē, ka šie metāli ir izmantoti baterijā.

Ελληνικά

Η διαγραμμένη ετικέτα του τροχοφόρου κάδου απορριμμάτων που θα βρείτε πάνω στο προϊόν σας υποδεικνύει ότι αυτό το προϊόν και οι ενσωματωμένες μπαταρίες δεν πρέπει να απορρίπτεται μέσω του κανονικού δικτύου αποκομιδής οικιακών απορριμμάτων. Για να αποτρέψετε πιθανές επιπτώσεις στο περιβάλλον ή την ατομική υγεία, παρακαλούμε να διαχωρίσετε αυτό το προϊόν και τις μπαταρίες του από άλλα δίκτυα αποκομιδής ώστε να διασφαλίσετε ότι είναι δυνατή η ανακύκλωσή του με έναν περιβαλλοντικά θεμιτό τρόπο. Για περισσότερες πληροφορίες σχετικά με τις διαθέσιμες δυνατότητες συλλογής απορριμμάτων, παρακαλούμε να επικοινωνήσετε με την τοπική κυβερνητική αρχή ή το κατάστημα λιανικής από όπου αγοράσατε αυτό το προϊόν. Η χρήση των χημικών συμβόλων Pb, Cd ή Hg υποδεικνύει εάν χρησιμοποιούνται τα μέταλλα αυτά στην μπαταρία.

Türkçe

Ürününüzün üzerinde bulunan çarpi işaretli tekerlekli kutu etiketi, bu ürünün ve beraberinde gelen pillerin normal ev atık sistemi vasıtasıyla elden çıkarılmaması gerektiğini gösterir. Çevreye ve insan sağlığına zarar vermeyei önlemek için, lütfen bu ürünü ve pillerini çevreye zarar vermeyecek şekilde geri dönüşüme tabi tutulmak üzere diğer atıklardan ayırın. Mevcut toplama tesisleri ile ilgili ayrıntılı bilgi edinmek için, yerel devlet makamlarıyla veya bu ürünü satın aldığınız satıcıyla irtibata geçin. Pb, Cd veya Hg kimyasal sembollerinin kullanılması, bu metallerin pillerin üretiminde kullanılıp kullanılmadığını ifade eder.

Română

Eticheta arătând un coș de gunoi tăiat cu două linii încrucișate, care poate fi găsită pe produs, indică faptul că acesta și bateriile încorporate nu trebuie aruncate la gunoi laolaltă cu gunoiul menajer. Pentru a evita posibila degradare a mediului înconjurător sau a sănătății umane, colectați separat acest produs și bateriile încorporate și nu împuneți cu gunoiul menajer pentru a vă asigura că acestea pot fi reciclate într-un mod ecologic. Pentru mai multe detalii privind punctele disponibile de colectare, contactați autoritățile locale sau comerciantul de la care ați achiziționat acest produs. Utilizarea simbolurilor unor substanțe chimice precum Pb, Cd sau Hg indică faptul că aceste metale sunt utilizate în baterie.

Български

Етикетът, представляващ зачертано кошче за боклук в кръг, който можете да видите върху вашия продукт, означава, че този продукт и батериите към него не трябва да се изхвърлят заедно с обикновените домакински отпадъци. За предпазване от евентуални щети върху околната среда или човешкото здраве, моля, отделете този продукт и батериите му от останалите отпадъци, за да се гарантира, че той ще бъде рециклиран по екологично съобразен начин. За повече информация относно наличните места за събиране на отпадъци, моля, свържете се с местните власти или търговеца, от когото сте закупили този продукт. Химическите символи Pb, Cd и Hg посочват дали съответните метали са използвани в батерията.

This information only applies to customers in the European Union, according to DIRECTIVE 2006/66/EC OF THE EUROPEAN PARLIAMENT AND OF THE COUNCIL OF 6 September 2006 on batteries and accumulators and waste batteries and accumulators and repealing Directive 91/157/EEC and legislation transposing and implementing it into the various national legal systems.

For other countries, please contact your local government to investigate the possibility of recycling your product.

Інструкції з техніки безпеки

Попередження, застереження та примітки



Попередження

Їх необхідно ретельно дотримуватися, щоб уникнути тілесних ушкоджень.



Застереження

Їх необхідно дотримуватися, щоб уникнути пошкодження обладнання.

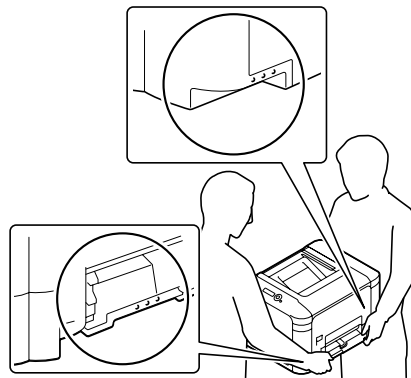
Примітки

Вони містять важливу інформацію і корисні поради щодо експлуатації принтера.

Важливі інструкції з техніки безпеки

Установлення принтера

- ❑ Оскільки принтер важить приблизно 27 кг з витратними матеріалами, одній людині не слід піднімати або переносити його. Принтер потрібно переносити вдвох, підхоплюючи його у визначених місцях, як показано на малюнку нижче.



- ❑ Якщо ви не можете під'єднати штепсель змінного струму до електричної розетки, зверніться до електрика.

- ❑ Переконайтеся в тому, що кабель живлення змінного струму відповідає відповідним місцевим стандартам безпеки. Використовуйте лише кабель живлення, що поставляється з цим пристроєм. Використання іншого кабелю може призвести до виникнення пожежі або враження електричним струмом. Кабель живлення, що додається до пристрою, призначений для використання лише з цим пристроєм. Використання цього кабелю для під'єднання іншої апаратури може призвести до виникнення пожежі або враження електричним струмом.
- ❑ Якщо пошкоджено штепсель, замініть увесь кабель або зверніться до кваліфікованого електрика. Якщо у штепсель встановлено запобіжник, переконайтеся в тому, що його замінено на запобіжник потрібного розміру та номіналу.
- ❑ Використовуйте уземлену розетку, що відповідає штепселю кабелю живлення принтера. Не використовуйте адаптер для штепселя.
- ❑ Не використовуйте електричну розетку, що керується настінними вимикачами або автоматичними таймерами. Випадкове розмикання ланцюга електроживлення може призвести до втрати цінної інформації з пам'яті комп'ютера та принтера.
- ❑ Переконайтеся в тому, що в розетці немає пилу.
- ❑ Переконайтеся в тому, що штепсель кабелю живлення повністю вставлено в електричну розетку.
- ❑ Не торкайтеся штепселя вологими руками.
- ❑ Від'єднайте принтер від настінної розетки та зверніться за обслуговуванням до кваліфікованого представника сервісного центру в таких випадках:
 - A. Кабель живлення або штепсель пошкоджено або перетерто.
 - B. У принтер було пролито рідину.
 - C. Принтер потрапив під дощ або у воду.
 - D. Принтер функціонує неправильно за умови повного дотримання інструкцій з експлуатації. Виконуйте налаштування тільки тих регуляторів, що описані в інструкції з експлуатації, неправильне налаштування інших регуляторів може призвести до пошкоджень, що потребуватимуть складного ремонту та звернення до кваліфікованого персоналу для відновлення нормального функціонування продукту.
 - E. Принтер упав або його корпус пошкоджено.

- F. Принтер функціонує з помітними відхиленнями від звичайного стану, вказуючи на необхідність обслуговування.
- Не вмикайте принтер в одну розетку з іншими приладами.
 - Під'єднуйте все обладнання до розеток електроживлення, що належним чином заземлені. Не під'єднуйте пристрій до розеток, від яких живляться фотокопіювальні апарати та системи кондиціонування, що регулярно вмикаються та вимикаються.
 - Під'єднуйте принтер до електричних розеток, що відповідають вимогам до живлення принтера. Вимоги до живлення принтера зазначено на етикетці, що прикріплено до принтера. Якщо вам невідомі характеристики електричного струму у Вашій місцевості, зверніться до місцевого управління електропостачання або до дилера.
 - Якщо ви використовуєте подовжувач, переконайтеся в тому, що загальний номінальний струм усіх пристроїв, під'єднаних до подовжувача, не перевищує значення номінального струму подовжувача.
 - Під'єднуючи виріб до комп'ютера чи іншого пристрою за допомогою кабелю, переконайтеся в правильності орієнтації роз'ємів. Кожен роз'єм передбачає підключення лише одним способом. Якщо вставити роз'єм неправильно, можна пошкодити обидва пристрої, з'єднані кабелем.
 - При використанні додаткової касети для паперу не забудьте правильно встановити контрольні штифти. Для отримання інструкцій щодо встановлення штифтів, зверніться до документа User's Guide.

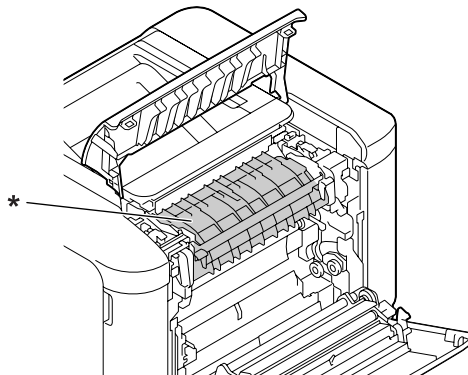
Вибір місця для встановлення принтера

- Розміщуйте принтер біля електричної розетки, яка дозволяє легко під'єднати чи від'єднати кабель живлення.
- Не розміщуйте принтер у місцях, де на кабель живлення можна наступити.
- Не використовуйте принтер у вологому середовищі.
- Уникайте місць, що схильні до впливу прямого сонячного проміння, надмірного тепла, вологи, парів нафти або пилу.
- Не розміщуйте принтер на нестійкій поверхні.
- Слоти та отвори в корпусі на тильній та нижній сторонах призначені для вентиляції. Не блокуйте та не закривайте їх. Не розміщуйте принтер на ліжку, дивані, килимі або подібних поверхнях, а також не вбудовуйте його, якщо не забезпечено належну вентиляцію.

- ❑ Розміщуйте комп'ютер та принтер подалі від потенційних джерел перешкод, наприклад гучномовців або базових модулів бездротових телефонів.
- ❑ Навколо принтера має бути достатньо місця для забезпечення належної вентиляції.

Використання принтера

- ❑ Не торкайтеся термофіксатора, на якому є позначка **CAUTION**, або ділянок навколо нього. По завершенні використання принтера термофіксатор та ділянки навколо нього можуть бути дуже гарячими. Якщо необхідно доторкнутися до якоїсь із цих ділянок, зачекайте 40 хвилин, доки вони не охолонуть.



* CAUTION

- ❑ Не просувайте руку всередину термофіксатора, оскільки деякі компоненти мають гострі краї та можуть завдати травми.
- ❑ Ніколи не вставляйте предмети в отвори на корпусі принтера, оскільки вони можуть доторкнутися до точок високої напруги та спричинити коротке замикання, що може призвести до ризику виникнення пожежі або враження електричним струмом.
- ❑ Не сідайте та не опирайтеся на принтер. Не кладіть на принтер важкі предмети.
- ❑ Не використовуйте поруч із принтером будь-які легкозаймисті гази.
- ❑ Ніколи не вставляйте деталі принтера силоміць. Хоча принтер спроектовано для надійного функціонування, грубе поводження може його пошкодити.
- ❑ Не залишайте зім'ятий папір у принтері. Це може призвести до перегрівання принтера.
- ❑ Ніколи не проливайте на принтер будь-яку рідину.

- Виконуйте лише ті налаштування, що передбачені інструкцією з експлуатації. Неналежне виконання інших налаштувань може призвести до пошкодження принтера, і для ремонту потрібно буде звернутися до кваліфікованого представника сервісного центру.
- Не вимикайте принтер:
 - Після увімкнення принтера зачекайте, поки на РК-панелі з'явиться індикатор Ready (Готовий).
 - Під час друку або при виконанні інших операцій, наприклад запису даних на зовнішні пристрої.
- Не торкайтеся деталей, розміщених усередині принтера, якщо це не передбачено цим посібником.
- Дотримуйтеся всіх вказівок і попереджень на маркуванні принтера.
- Не намагайтеся самостійно ремонтувати цей виріб, якщо це не передбачено документацією принтера.
- Періодично від'єднуйте штепсель від електричної розетки та очищуйте контакти.
- Не виймайте штепсель, поки принтер увімкнено.
- Якщо принтер не буде використовуватися тривалий період часу, вийміть штепсель із електричної розетки.
- Перш ніж виконати чищення принтера, від'єднайте його від настінної розетки.
- Для чищення використовуйте добре віджатую тканину та не використовуйте рідкі або аерозольні засоби.
- Під час перенесення принтера завжди тримайте його в горизонтальному положенні.
- Не видаляйте зам'ятий папір силоміць. Якщо папір буде порвано, його буде важко видалити, і це може спричинити інші заминання папера. Обережно й рівномірно витягайте папір, щоб не порвати його, не впустити та не поранитися.
- Виймаючи штепсель, не тягніть за кабель живлення. При відключенні кабелю слід взятися за штепсель.
- Не припускайте проковзування країв папера вздовж шкіри, оскільки краями папера можна порізатися.
- Перед транспортуванням принтера необхідно його вимкнути та вийняти кабель живлення з електричної розетки. Не забудьте від'єднати всі кабелі.

Поводження з витратними виробами

- ❑ Не спалюйте використані витратні вироби, оскільки вони можуть вибухнути та завдати кому-небудь травми. Утилізуйте їх у відповідності до місцевих правил.
- ❑ Зберігайте витратні вироби в місцях, недосяжних для дітей.
- ❑ Вийнявши формуючий картридж, завжди розміщуйте його на чистій, рівній поверхні.
- ❑ Не намагайтеся видозмінювати чи розбирати формуючий картридж.
- ❑ Не торкайтеся тонера. Завжди тримайте тонер подалі від очей. Якщо тонер потрапив на шкіру або одяг, негайно змийте його за допомогою мила та води.
- ❑ Якщо тонер просипався, скористайтесь віником та совком або вологою тканиною з милом та водою для його прибирання. Оскільки дрібні частки можуть спричинити пожежу чи вибух у випадку контакту з іскрою, не використовуйте для їх прибирання пилосос.
- ❑ Для попередження пошкодження внаслідок утворення конденсату зачекайте принаймні одну годину, перш ніж використовувати формуючий картридж після його переміщення із холодного середовища в тепле.
- ❑ Для отримання високої якості друку не зберігайте формуючий картридж у місцях, що схильні до впливу прямого сонячного проміння, у запиленому приміщенні, там, де повітря насичене соляними парами чи газом, що викликає корозію (наприклад амонієм). Уникайте місць з екстремальними умовами або різкими перепадами температур та вологості повітря.
- ❑ Виймаючи формуючий картридж, узагалі не допускайте потрапляння на нього сонячного світла та не допускайте потрапляння на нього кімнатного освітлення довше, ніж п'ять хвилин. У формуючому картриджі знаходиться світлочутливий барабан. Потрапляння на барабан світла може його пошкодити, що призведе до появи занадто світлих чи темних ділянок на надрукованій сторінці та до скорочення терміну експлуатації барабана. Якщо формуючий картридж потрібно зберігати не в принтері впродовж тривалого періоду часу, накрийте його світлонепроникною тканиною.
- ❑ Не дряпайте поверхню барабана. Вийнявши формуючий картридж із принтера, завжди розміщуйте його на чистій, рівній поверхні. Уникайте торкання барабана, оскільки пальці можуть лишати на його робочій поверхні жирові відбитки, що призведе до зниження якості друку.

Інформація з безпеки

Етикетки із відомостями про лазерну безпеку



Попередження:

Виконання дій та налаштувань, не передбачених документацією принтера, може призвести до небезпечного радіоактивного випромінювання. Цей принтер є лазерним продуктом класу 1, як визначено технічними характеристиками IEC60825. Зображену етикетку приклеєно ззаду принтера в країнах, де вона є необхідною.



Внутрішнє лазерне випромінювання

Цей продукт є пристроєм із лазерним діодом класу III b, що має невидимий лазерний промінь усередині блоку друкувальної голівки. Блок друкувальної голівки НЕ ПІДЛЯГАЄ ОБСЛУГОВУВАННЮ, тому блок друкувальної голівки не можна відкривати ні за яких обставин. Додаткова етикетка, що попереджає про небезпеку лазера, розміщена всередині принтера.



Озонова безпека

Виділення озону

Озон виділяється лазерними принтерами як побічний продукт процесу друку. Озон виділяється лише тоді, коли принтер друкує.

Обмеження на вихід озону

Лазерний принтер Epson виділяє менше за 3 мг/год безперервного друку.

Мінімізація ризику

Для мінімізації ризику виходу озону остерігайтеся зазначених нижче дій:

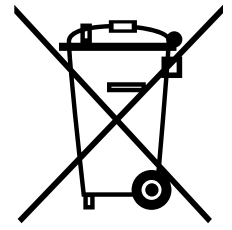
- Використання кількох лазерних принтерів у замкнутому приміщенні
- Робота в умовах надзвичайно низької вологості
- Погана вентиляція приміщення
- Тривалий безперервний друк у поєднанні з будь-якою із зазначених вище умов

Розміщення принтера

Принтер потрібно розмістити таким чином, щоб вихідні гази та виділене тепло:

- Не були спрямовані в обличчя користувача
- За допомогою витяжної вентиляції виводилися безпосередньо із приміщення, якщо це можливо

Battery Addendum



English

The crossed out wheeled bin label that can be found on your product indicates that this product and incorporated batteries should not be disposed of via the normal household waste stream. To prevent possible harm to the environment or human health please separate this product and its batteries from other waste streams to ensure that it can be recycled in an environmentally sound manner. For more details on available collection facilities please contact your local government office or the retailer where you purchased this product. Use of the chemical symbols Pb, Cd or Hg indicates if these metals are used in the battery.

Deutsch

Der Aufkleber mit durchgekrenzter Mülltonne an diesem Produkt weist darauf hin, dass dieses Produkt und darin enthaltene Batterien nicht im normalen Hausmüll entsorgt werden dürfen. Zur Vermeidung einer möglichen Beeinträchtigung der Umwelt oder der menschlichen Gesundheit und um zu gewährleisten, dass es in einer umweltverträglichen Weise recycelt wird, darf dieses Produkt mitsamt den Batterien nicht in den Hausmüll gegeben werden. Informationen zu Entsorgungseinrichtungen erhalten Sie bei der zuständigen Behörde oder dem Händler, bei dem Sie dieses Produkt erworben haben. Die Angabe der chemischen Zeichen Pb, Cd oder Hg bedeutet, dass diese Metalle in der Batterie verwendet werden.

Français

L'étiquette apposée sur ce produit et représentant une poubelle barrée indique que le produit et les piles intégrées ne peuvent être mis au rebut avec les déchets domestiques normaux. Afin d'éviter d'éventuels dommages au niveau de l'environnement ou sur la santé, veuillez séparer ce produit et ses piles des autres déchets de manière à garantir qu'ils soient recyclés de manière sûre au niveau environnemental. Pour plus de détails sur les sites de collecte existants, veuillez contacter l'administration locale ou le détaillant auprès duquel vous avez acheté ce produit. Les symboles chimiques Pb, Cd et Hg sont utilisés pour désigner les métaux présents dans les piles.

Italiano

L'etichetta con il contenitore barrato applicata sull'imballo indica che il prodotto e le batterie incluse non devono essere smaltiti tramite la procedura normale di smaltimento dei rifiuti domestici. Per evitare eventuali danni all'ambiente e alla salute umana, separare questo prodotto e le relative batterie da altri rifiuti domestici in modo che possano essere riciclati in base alle procedure di rispetto dell'ambiente. Per maggiori dettagli sulle strutture di raccolta disponibili, contattare l'ufficio competente del proprio comune o il rivenditore del prodotto. L'uso dei simboli chimici Pb, Cd o Hg indica la presenza di tali metalli nelle batterie.

Español

La etiqueta de un contenedor tachado que hallará en su producto indica que este producto y sus pilas no se pueden tirar con la basura doméstica normal. Para impedir posibles daños medioambientales o para la salud, separe este producto y sus pilas de otros canales de desecho para garantizar que se recicle de una forma segura para el medio ambiente. Para más información sobre las instalaciones de recolección disponibles, diríjase a las autoridades locales o al punto de venta donde adquirió este producto. Los símbolos químicos Pb, Cd o Hg indican que las pilas contienen ese metal.

Português

A etiqueta com o símbolo de um contentor de lixo traçado com uma cruz que aparece no produto indica que este produto e as pilhas incluídas não devem ser deitados fora juntamente com o lixo doméstico. Para evitar possíveis danos no ambiente ou na saúde pública, por favor separe este produto e respectivas pilhas de outros lixos; desta forma, terá a certeza de que podem ser reciclados através de métodos não prejudiciais ao ambiente. Para obter mais informações sobre os locais de recolha de lixo disponíveis, contacte a sua junta de freguesia, câmara municipal ou local onde comprou este produto. A utilização dos símbolos químicos Pb, Cd ou Hg indica se estes metais são utilizados na pilha.

Nederlands

Op uw product is een label van een rolcontainer met een kruis erdoor aangebracht. Dit label wil zeggen dat dit product en de batterijen in het product niet bij het normale huishoudelijk afval mogen worden ingezameld. Om eventuele schade aan het milieu of de gezondheid van de mens te voorkomen moeten dit product en de batterijen gescheiden van al het ander afval worden ingezameld, zodat alles op een verantwoorde wijze kan worden verwerkt. Voor meer informatie over uw lokale afvalinzameling wendt u zich tot uw gemeente of de leverancier bij wie u dit product hebt gekocht. Gebruik van de chemische symbolen Pb, Cd of Hg geeft aan of deze metalen worden gebruikt in de batterij.

Dansk

Etiketten med et kryds over skraldespanden på hjul, der sidder på produktet, angiver, at dette produkt og dets batterier ikke må bortskaffes sammen med almindeligt husholdningsaffald. For at beskytte miljø og helbred skal dette produkt og dets batterier bortskaffes separat, så disse dele kan genbruges på en måde, der er god for miljøet. Kontakt de lokale myndigheder eller den forhandler, hos hvem du har købt produktet, vedrørende steder, hvor du kan aflevere produktet. Brugen af de kemiske symboler Pb, Cd eller Hg angiver, om disse metaller er anvendt i batteriet.

Suomi

Laitte on merkitty jäteastia-symbolilla, jonka yli on vedetty rasti. Tämä tarkoittaa, ettei laitetta tai siihen kuuluvia paristoja saa hävittää normaalin talousjätteen mukana. Älä hävitä laitetta tai sen paristoja normaalin jätteen seassa vaan varmista, että laite kierrätetään ympäristöystävällisellä tavalla, jottei ympäristölle tai ihmisille aiheudu vahinkoa. Lisätietoja kierrätyksestä ja keräyspisteistä saa ottamalla yhteyttä paikallisiin viranomaisiin tai jälleenmyyjään, jolta laite ostettiin. Kemiallisten merkien Pb (lyijy), Cd (kadmium) tai Hg (elohopea) käyttö ilmaisee, että paristo sisältää kyseistä metallia.

Svenska

Symbolen med en överkorsad soptunna innebär att denna produkt och tillhörande batterier inte får kastas i vanligt hushållsavfall. För att skydda miljön ska denna produkt och dess batterier inte kastas tillsammans med vanligt hushållsavfall utan lämnas för återvinning på tillbörligt sätt. För mer information om uppsamlingsplatser kontakta din lokala myndighet eller den återförsäljare där du har köpt produkten. De kemiska symbolerna Pb, Cd eller Hg visar om dessa metaller används i batteriet.

Norsk

Etiketten på hjulbeholderen på produktet ditt antyder at produktet og batteriene som hører med, ikke skal avhendes sammen med vanlig husholdningsavfall. Hold produktet og batteriene atskilt fra annet avfall, slik at det kan resirkuleres på en miljømessig og forsvarlig måte og dermed forhindre eventuell skade på miljø eller helse. Kontakt lokale myndigheter, eller din forhandler, for mer informasjon angående avhenting av produktet. De kjemiske symbolene Pb, Cd og Hg antyder om disse metallene har blitt brukt i batteriet.

Česky

Štítek s přeškrtnutým odpadkovým košem na kolečkách, který lze nalézt na výrobku, označuje, že se tento výrobek a přiložené baterie nemají likvidovat s běžným domovním odpadem. V zájmu ochrany životního prostředí a lidského zdraví zlikvidujte tento výrobek a jeho baterie jako tříděný odpad, který se recykluje způsobem šetrným k životnímu prostředí. Podrobnější informace o sběrných dvorech pro tříděný odpad získáte na obecním úřadě nebo u prodejce, u kterého jste tento výrobek zakoupili. Použité chemické značky Pb, Cd nebo Hg označují, zda baterie obsahuje tyto kovy.

Magyar

A termékén található, áthúzott szemetest ábrázoló címke azt jelzi, hogy ezt a terméket és a hozzá tartozó elemeket nem szabad a rendes háztartási szeméttel együtt kidobni. Az esetleges környezeti- vagy egészségkárosodást megelőzendő, kérjük, hogy ezt a terméket és az elemeket a többi szeméttől elkülönítve helyezze el, és biztosítsa, hogy azt környezetbarát módon újrahasznosítsák. A rendelkezésére álló begyűjtő létesítményekről kérjük tájékozódjon a megfelelő helyi állami szerveknél vagy a viszonteladónál, ahol a terméket vásárolta. A Pb, Cd vagy Hg vegyjelek jelzik, ha ilyen fémeket is felhasználtak az elem gyártása során.

Polski

Symbol przekreślonego kosza znajdujący się na produkcie oznacza, że nie można produktu oraz wewnętrzznego akumulatora utylizować razem z normalnymi odpadami z gospodarstwa domowego. Aby zapobiec potencjalnemu zagrożeniu dla środowiska lub zdrowia ludzkiego, produkt oraz wewnętrzny akumulator należy odseparować od reszty odpadów z gospodarstwa domowego i utylizować w ekologicznie właściwy sposób. Szczegółowe informacje na temat punktów zbiórki odpadów można uzyskać w lokalnych urzędach lub u sprzedawcy danego produktu. Symbole chemiczne Pb, Cd lub Hg oznaczają, że metale te zostały zastosowane w akumulatorze.

Slovensky

Štítok s preškrtnutým odpadkovým košom na kolieskach, ktorý je možné nájsť na výrobku, označuje, že tento produkt a obsiahnuté batérie sa nemajú likvidovať s bežným komunálnym odpadom. V záujme ochrany životného prostredia a ľudského zdravia zlikvidujte tento výrobok a batérie ako triedený odpad, ktorý sa recykluje spôsobom šetrným k životnému prostrediu. Podrobnejšie informácie o zberných dvoroch pre triedený odpad získate na obecnom úrade alebo u predajcu, u ktorého ste príslušný výrobok zakúpili. Použitie chemických značiek Pb, Cd alebo Hg znamená, že tieto kovy sú použité v batériách.

Slovenski

Prečrtan koš za smeti na etiketi, katero lahko najdete na vašem izdelku, pomeni, da niti tega izdelka niti njegovih baterij ne smete odvreči podobno kot vse ostale smeti. Da bi preprečili morebitne škodljive vplive na okolje ali zdravje, ločite izdelek in njegove baterije od vseh ostalih odpadkov in poskrbite, da bodo reciklirani na okolju prijazen način. Natančne informacije o tem, kje se nahajajo primerna odlagališča, pridobite v vašem krajevnem uradu ali pri prodajalcu. Kemijski simboli Pb, Cd in Hg označujejo, katere kovine vsebuje baterija.

Eesti

Teie tootele kleebitud tähis, mis kujutab ratastega prügikonteinerit, millele on rist peale tõmmatud, keelab toote ja sellega kaasasolevate patareide kõrvaldamise majapidamisjäätmetega sarnasel viisil. Keskkonnale või inimeste tervisele tekitava võimaliku kahju vältimiseks eraldage toode ja selle patareid teistest jäätmetest, et tagada nende korduvkasutamise keskkonnasäästlikul viisil. Kui soovite saada rohkem teavet võimalike kogumispunktide kohta, võtke ühendust kohaliku omavalituse ametnikuga või teile toote müünud jaemüüjaga. Keemiliste sümbolite Pb, Cd või Hg kasutamise näitab, kas tootes on vastavaid metalle kasutatud.

Lietuviškai

Užbraukta ratuota šiukšliadėžės etiketė, kurią rasite ant jūsų produkto, reiškia, kad šis produktas ir pridedamos baterijos neturėtų būti išmestas kartu su įprastinėmis buitinėmis šiukšlėmis. Siekiant išvengti galimos žalos aplinkai bei žmonių sveikatai, prašome atskirti šį produktą ir pridedamas baterijas nuo kitų atliekų, ir įsitikinti, kad jis būtų perdirbtas aplinkai nepavojingu būdu. Jei reikia išsamesnės informacijos apie atliekų surinkimo ypatumus, prašome kreiptis į savo vietos valdžios įstaigas arba į mažmeninį pardavėją, iš kurio jūs įsigijote šį produktą. Atitinkamų metalų naudojimas baterijose yra pažymėtas cheminiais simboliais Pb, Cd arba Hg ant baterijų.

Latviski

Marķējums ar pārsvītrotu atkritumu tvertni uz ritenīšiem, kas redzams uz izstrādājuma, norāda, ka šo izstrādājumu un tajā iekļautās baterijas nedrīkst likvidēt kopā ar parastajiem sadzīves atkritumiem. Lai novērstu iespējamo kaitējumu videi vai cilvēku veselībai, lūdzu, atdaliet šo izstrādājumu un tā baterijas no citiem atkritumiem, tādējādi nodrošinot tā otrreizējo pārstrādi videi drošā veidā. Papildinformācijai par pieejamajām atkritumu savākšanas iespējām, lūdzu, sazinieties ar vietējo pašvaldību vai mazumtirgotāju, no kura jūs iegādājāties šo izstrādājumu. Ķīmisko simbolu Pb, Cd un Hg izmantošana uz marķējuma nozīmē, ka šie metāli ir izmantoti baterijā.

Ελληνικά

Η διαγραμμένη ετικέτα του τροχοφόρου κάδου απορριμμάτων που θα βρείτε πάνω στο προϊόν σας υποδεικνύει ότι αυτό το προϊόν και οι ενσωματωμένες μπαταρίες δεν πρέπει να απορρίπτεται μέσω του κανονικού δικτύου αποκομιδής οικιακών απορριμμάτων. Για να αποτρέψετε πιθανές επιπτώσεις στο περιβάλλον ή την ατομική υγεία, παρακαλούμε να διαχωρίσετε αυτό το προϊόν και τις μπαταρίες του από άλλα δίκτυα αποκομιδής ώστε να διασφαλίσετε ότι είναι δυνατή η ανακύκλωσή του με έναν περιβαλλοντικά θεμιτό τρόπο. Για περισσότερες πληροφορίες σχετικά με τις διαθέσιμες δυνατότητες συλλογής απορριμμάτων, παρακαλούμε να επικοινωνήσετε με την τοπική κυβερνητική αρχή ή το κατάστημα λιανικής από όπου αγοράσατε αυτό το προϊόν. Η χρήση των χημικών συμβόλων Pb, Cd ή Hg υποδεικνύει εάν χρησιμοποιούνται τα μέταλλα αυτά στην μπαταρία.

Türkçe

Ürününüzün üzerinde bulunan çarpi işaretli tekerlekli kutu etiketi, bu ürünün ve beraberinde gelen pillerin normal ev atık sistemi vasıtasıyla elden çıkarılmaması gerektiğini gösterir. Çevreye ve insan sağlığına zarar vermeye yönelik önlemler için, lütfen bu ürünü ve pillerini çevreye zarar vermeyecek şekilde geri dönüşüme tabi tutulmak üzere diğer atıklardan ayırın. Mevcut toplama tesisleri ile ilgili ayrıntılı bilgi edinmek için, yerel devlet makamlarıyla veya bu ürünü satın aldığınız satıcıyla iletişime geçin. Pb, Cd veya Hg kimyasal sembollerinin kullanılması, bu metallerin pillerin üretiminde kullanılıp kullanılmadığını ifade eder.

Română

Eticheta arătând un coș de gunoi tăiat cu două linii încrucișate, care poate fi găsită pe produs, indică faptul că acesta și bateriile încorporate nu trebuie aruncate la gunoi laolaltă cu gunoiul menajer. Pentru a evita posibila degradare a mediului înconjurător sau a sănătății umane, colectați separat acest produs și bateriile încorporate și nu împuneți cu gunoiul menajer pentru a vă asigura că acestea pot fi reciclate într-un mod ecologic. Pentru mai multe detalii privind punctele disponibile de colectare, contactați autoritățile locale sau comerciantul de la care ați achiziționat acest produs. Utilizarea simbolurilor unor substanțe chimice precum Pb, Cd sau Hg indică faptul că aceste metale sunt utilizate în baterie.

Български


Етикетът, представляващ зачертано кошче за боклук в кръг, който можете да видите върху вашия продукт, означава, че този продукт и батериите към него не трябва да се изхвърлят заедно с обикновените домакински отпадъци. За предпазване от евентуални щети върху околната среда или човешкото здраве, моля, отделете този продукт и батериите му от останалите отпадъци, за да се гарантира, че той ще бъде рециклиран по екологично съобразен начин. За повече информация относно наличните места за събиране на отпадъци, моля, свържете се с местните власти или търговеца, от когото сте закупили този продукт. Химическите символи Pb, Cd и Hg подсочват дали съответните метали са използвани в батерията.


This information only applies to customers in the European Union, according to DIRECTIVE 2006/66/EC OF THE EUROPEAN PARLIAMENT AND OF THE COUNCIL OF 6 September 2006 on batteries and accumulators and waste batteries and accumulators and repealing Directive 91/157/EEC and legislation transposing and implementing it into the various national legal systems.

For other countries, please contact your local government to investigate the possibility of recycling your product.

تعليمات السلامة

التحذيرات والتنبيهات والملاحظات

التحذيرات 
يجب اتباعها بعناية لتجنب الإصابات الجسدية.

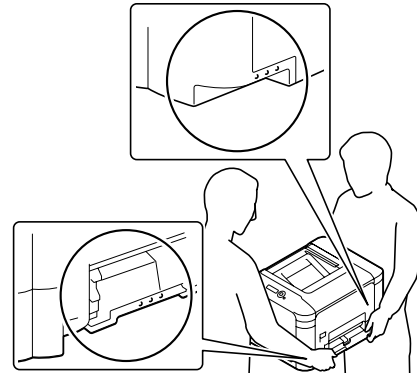
التنبيهات 
يجب مراعاتها لتجنب تلف طابعتك.

الملاحظات
تتضمن معلومات هامة وإرشادات مفيدة عن تشغيل طابعتك.

تعليمات هامة للسلامة

تهيئة الطابعة

□ بما أن الطابعة تزن 27 آغ تقريبا مع آون المنتجات مرآبة، فإنه لا يمكن لشخص واحد حملها بمفرده. يجب أن يقوم شخصان بحمل الطابعة، ورفعها من الأماكن المناسبة كما مبن أدناه.



□ إذا لم تكن قادراً على إدخال قابس التيار المتناوب في مقبس الكهرباء، اتصل بكهربائي.

□ تأكد من أن سلك الطاقة للتيار المتناوب يفي بمعايير السلامة المحلية المناسبة. استخدم فقط سلك الطاقة الذي يأتي مع المنتج. استخدام سلك طاقة من نوع آخر يمكن أن يتسبب في حريق أو صدمة كهربائية. سلك الطاقة الخاص بهذا المنتج معد للاستخدام مع هذا المنتج فقط. واستخدامه مع أجهزة أخرى يمكن أن يتسبب في حريق أو صدمة كهربائية.

- ❑ إذا حدث تلف للقابس، استبدل مجموعة السلك أو استشر كهربائي كفؤ. إذا كانت هناك مصهرات في القابس، تأكد من استبدالها بمصهرات من المقاس والمقنن الصحيحين.
- ❑ استخدم مأخذ تيار مؤرض يطابق قابس الطاقة الطابعة. لا تستخدم قابس مهائئ.
- ❑ تجنب استعمال مأخذ تيار كهربائي يتم التحكم به بواسطة المفاتيح على الحائط أو المؤقتات الأوتوماتيكية. انقطاع الطاقة العرضي يمكن ان يمسح المعلومات المخزنة في ذاكرة الكمبيوتر والطابعة.
- ❑ تأكد من عدم وجود غبار على المقبس.
- ❑ تأكد من إدخال القابس كلياً في مقبس الكهرباء.
- ❑ لا تمسك القابس بيديك مبتلتين.
- ❑ افصل هذه الطابعة من مأخذ التيار الجداري واطلب صيانتها من قبل فني صيانة مؤهل في الحالات التالية:
 - ا. عند تلف أو بلي سلك أو قابس الطاقة.
 - ب. إذا انسكب سائل داخلها.
 - ج. إذا تعرضت لمطر أو ماء.
 - د. إذا لم تعمل بطريقة عادية عند اتباع تعليمات التشغيل. اضبط فقط التحكيمات التي تشملها تعليمات التشغيل حيث أن الضبط غير الصحيح لتحكيمات أخرى يمكن أن يؤدي إلى تلف الطابعة وغالباً ستحتاج إلى عمل موسع بواسطة فني مؤهل لاستعادة المنتج إلى التشغيل العادي.
 - هـ. إذا سقطت أو تعرض هيكلها لتلف.
 - و. إذا أظهرت تغييراً ملحوظاً في أدائها، مما يدل على احتياج إلى الخدمة.
- ❑ تجنب استعمال نفس مأخذ التيار لأجهزة أخرى.
- ❑ صل جميع الاجهزة بمأخذ تيار مؤرضة بشكل صحيح. تجنب استعمال مأخذ تيار تقع في نفس الدائرة الكهربائية التي توجد فيها طابعات الصور أو أنظمة التحكم بالهواء التي يتم اطفاءها وتشغيلها تلقائياً وبشكل منتظم.
- ❑ وصل الطابعة بمقبس كهرباء يفي بمتطلبات الطاقة للطابعة. متطلبات الطاقة لطابعتك موضحة بملصق مثبت على الطابعة. إذا لم تكن متأكدًا من مواصفات إمداد الطاقة في منطقتك، اتصل بشركة الكهرباء المحلية أو استشر الموزع.
- ❑ إذا كنت تستخدم سلك تمديد، تأكد من أن إجمالي مقننات الأمبير للمنتجات الموصلة بسلك التمديد لا يتجاوز مقنن أمبير سلك التمديد.
- ❑ عند توصيل هذا المنتج بكمبيوتر أو بجهاز آخر بواسطة كابل، تأكد من الاتجاه الصحيح للموصلات. فكل موصل له اتجاه صحيح واحد فقط. إدخال موصل في الاتجاه الخاطئ يمكن أن يتلف الجهازين الموصلين بالكابل كليهما.

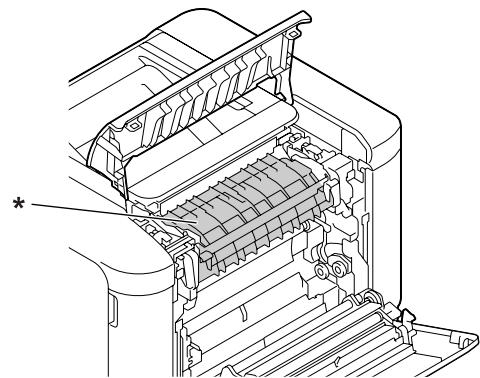
- ❑ عندما تستعمل وحدة خرطوشة ورق اختيارية، تأكد من ترأيب دبابيس التثبيت بشكل صحيح. للاطلاع على التعليمات الخاصة بكيفية ترأيب دبابيس التثبيت، راجع دليل المستخدم.

ايجاد المكان المناسب للطابعة

- ❑ ضع الطابعة بالقرب من مقبس كهرباء حيث يمكنك توصيل وفصل سلك الطاقة بسهولة.
- ❑ لا تضع الطابعة بمكان تدوس فيه بقدمك سلك الطاقة.
- ❑ لا تستخدم الطابعة في بيئة رطبة.
- ❑ تجنب المواقع التي تكون عرضة لضوء الشمس المباشر أو الحرارة المفرطة أو الرطوبة أو أبخرة الزيوت أو الغبار.
- ❑ لا تضع الطابعة على سطح غير مستقر.
- ❑ الفتحات والثقوب الموجودة بهيكل ومؤخرة وقاع الطابعة الغرض منها التهوية. لا تسدها أو تغطها. لا تضع الطابعة على سرير أو أريكة أو سجادة أو أي سطح مماثل، أو في حيز تركيب داخلي ما لم تكن هناك تهوية مناسبة.
- ❑ ضع نظام الكمبيوتر والطابعة بعيداً عن مصادر التداخل اللاسلكي المحتملة، مثل السماعات أو وحدات قواعد الهواتف اللاسلكية.
- ❑ اترك حيز مناسب حول الطابعة لضمان تهوية كافية.

استعمال الطابعة

- ❑ احذر لتلا تلمس المصهر، المكتوب عليه العبارة احتراس، أو المناطق المحيطة به. إذا كانت الطابعة قيد الاستخدام، قد يكون المصهر والمناطق المحيطة به ساخنة جداً. إذا كان من الضروري لمس أحد تلك المناطق، انتظر لمدة 40 دقيقة حتى تبرد تلك المناطق قبل لمسها.



* احتراس

- ❑ لا تقم بإدخال يدك بعمق في وحدة المصهر لأن بعض المكونات حادة وقد تصيبك بجروح.
- ❑ لا تقم بإدخال أشياء من أي نوع من خلال فتحات الهيكل حيث أنها يمكن أن تلمس نقاطاً ذات فلطية خطيرة أو تقصر الدائرة الكهربائية لأجزاء يمكن أن تسبب حريقاً أو صدمة كهربائية.
- ❑ لا تجلس أو تسند على الطابعة. ولا تضع أغراضاً ثقيلة على الطابعة.
- ❑ لا تستخدم أي نوع من الغازات القابلة للاحتراق داخل أو حول الطابعة.
- ❑ لا تستخدم القوة مطلقاً لتركيب مكونات الطابعة في مكانها. ورغم أن الطابعة مصممة لتكون متينة، فإن التعامل معها بعنف يمكن أن يتلفها.
- ❑ لا تترك الورق المحشور داخل الطابعة. فذلك يمكن أن يسبب سخونة الطابعة المفرطة.
- ❑ لا تسكب أبداً سائلاً من أي نوع على الطابعة.
- ❑ قم فقط بتعديل مفاتيح التحكم الواردة في تعليمات التشغيل. القيام بتعديل غير مناسب لمفاتيح التحكم الأخرى قد يتسبب في تلف وقد يتطلب تصليح من قبل فني صيانة مؤهل.
- ❑ لا توقف تشغيل الطابعة:
- بعد تشغيل الطابعة، انتظر إلى أن يظهر Ready على لوحة LCD.
- أثناء الطباعة أو أثناء القيام بعمليات أخرى، مثل آتابة البيانات على أجهزة خارجية.
- ❑ تجنب لمس المكونات داخل الطابعة ما لم توجهك التعليمات في هذا الدليل إلى عمل ذلك.
- ❑ اتبع جميع التحذيرات والتعليمات المكتوبة على الطابعة.
- ❑ لا تحاول صيانة هذا المنتج بنفسك، باستثناء ما هو موضح تحديداً في دليل الطابعة هذا.
- ❑ افصل القابس على فترات من مقبس الكهرباء ونظف الريشات.
- ❑ لا تفصل القابس أثناء تشغيل الطابعة.
- ❑ إذا كانت الطابعة لن تستخدم لوقت طويل، افصل القابس من مقبس الكهرباء.
- ❑ افصل هذه الطابعة من مأخذ التيار الجداري قبل تنظيفها.
- ❑ استخدم قطعة قماش معصورة جيداً للتنظيف ولا تستخدم المنظفات السائلة أو منظفات عبوات البخاخات.
- ❑ عند نقل الطابعة، اجعلها دائماً في وضع أفقي.
- ❑ لا تخرج الورق المحشور بطريقة عنيفة. فتمزق الورق داخل الطابعة يجعل إخراجه صعباً وقد يتسبب في انحرافات أخرى للورق. اسحب الورقة بلطف وتأني لتفادي تمزيقها وسقوطها واصابتك بجروح.
- ❑ لا تسحب كبل الطاقة عند فصل القابس. تأكد دائماً من مسك القابس عند فصله.

- ❑ لا تدع حافة الورق تنزلق على جلدك حيث أن حافته يمكن أن تجرحك.
- ❑ عند نقل الطابعة، اطفئها وافصل كبل الطاقة من مأخذ التيار الكهربائي. تأكد من فصل جميع الكبلات.

التعامل مع المنتجات الاستهلاكية

- ❑ لا تحرق المنتجات الاستهلاكية المستعملة لأنها يمكن أن تنفجر وتصيب الأشخاص بجروح. تخلص منها وفقاً للقوانين المحلية.
- ❑ تأكد من الاحتفاظ بالمنتجات الاستهلاكية بعيداً عن متناول الأطفال.
- ❑ عند التعامل مع خرطوشة التصوير، ضعها دائماً على سطح نظيف وناعم.
- ❑ لا تحاول تعديل أو تفكيك خرطوشة التصوير.
- ❑ لا تلمس مسحوق الحبر. لا تقرب مسحوق الحبر أبداً من عينيك. وإذا طال مسحوق الحبر جلدك أو ملابسك، اغسله بالصابون والماء فوراً.
- ❑ إذا انسكب مسحوق الحبر، استخدم مقشاة وجروف أو قطعة قماش مبللة بالماء والصابون لتنظيفه. ونظراً لأن الجزيئات الدقيقة يمكن أن تسبب حرقاً أو انفجاراً إذا لامسها شرر، فلا تستخدم المكنسة الكهربائية.
- ❑ انتظر لمدة ساعة واحدة على الأقل قبل استخدام خرطوشة التصوير بعد نقلها من بيئة باردة إلى بيئة دافئة للحيلولة دون تلفها بسبب تكاثف الرطوبة.
- ❑ للحصول على أفضل جودة طباعة، لا تخزن خرطوشة التصوير في منطقة تكون معرضة لضوء الشمس المباشر أو الغبار أو الهواء المشبع بالأملاح أو الغازات المسببة للتآكل (مثل الأمونيا). تجنب المواقع التي تكون عرضة لتغيرات كبيرة أو سريعة في درجة الحرارة أو الرطوبة.
- ❑ عند اخراج خرطوشة التصوير، لا تعرضها لضوء الشمس اطلاقاً وتجنب تعريضها لضوء الغرفة لأكثر من خمس دقائق. خرطوشة التصوير تحتوي على أسطوانة حساسة للضوء. تعريضها للضوء يمكن أن يتلف الأسطوانة، مما يتسبب في ظهور مناطق قائمة أو فاتحة على الورقة المطبوعة ويقصر عمر خدمة الأسطوانة. إذا كنت تريد الاحتفاظ بخرطوشة التصوير خارج الطابعة لفترات زمنية طويلة، قم بتغطيتها بقماش غير شفاف.
- ❑ احذر خدش سطح الأسطوانة. عند اخراج خرطوشة التصوير من الطابعة، ضعها دائماً على سطح نظيف وناعم. تجنب لمس الأسطوانة، حيث أن الزيوت الموجودة في جلدك يمكن أن تسبب تلف دائم لسطحها مما يؤثر على جودة الطباعة.

معلومات السلامة

ملصقات سلامة الليزر

تحذير:



القيام بتنفيذ إجراءات وعمليات ضبط غير تلك المحددة في دليل الطابعة يمكن أن يتسبب في تعرضك لإشعاع خطر. الطابعة هي منتج ليزري من الفئة الأولى Class 1 كما معرفة وفقاً لمعايير IEC60825. البطاقة التي تشير إلى ذلك ملصقة على الجهة الخلفية من الطابعة في البلدان التي تكون فيها تلك البطاقة ضرورية.



إشعاع الليزر الداخلي

توجد مجموعة داوود (مصباح ثنائي) ليزري من الفئة الثالثة Class III b ذات شعاع ليزري غير مرئي داخل رأس الطابعة. وحدة رأس الطابعة ليست بندياً يمكن خدمته، لذلك، فإن وحدة رأس الطابعة لا يجب فتحها مطلقاً. توجد بطاقة إضافية للتحذير من الليزر مثبتة داخل الطابعة.



سلامة الأوزون

انبعاث الأوزون

يتولد غاز الأوزون بواسطة طابعات الليزر كمنتج ثانوي لعملية الطباعة. وينتج الأوزون فقط عندما تطبع الطابعة.

حد التعرض للأوزون

طابعة Epson الليزرية تولد أقل من 3 مليمغرام/ ساعة من الليزر أثناء الطباعة المتواصلة.

تحجيم الخطر

لتحجيم خطر التعرض للأوزون، يجب أن تتجنب الظروف التالية:

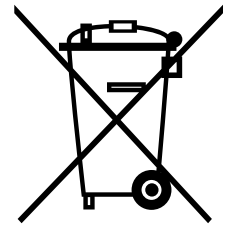
- ❑ استخدام طابعات ليزر متعددة في مساحة ضيقة.
- ❑ التشغيل في ظروف رطوبة شديدة الانخفاض
- ❑ التهوية السيئة للغرفة
- ❑ الطباعة المتواصلة لفترة طويلة في ظل أي من الظروف أعلاه

موقع الطابعة

يجب وضع الطابعة في مكان بحيث تكون غازات العادم والحرارة المتولدة:

- ❑ لا تنفخ مباشرة في وجه المستخدم
- ❑ تهويتها مباشرة خارج المبنى كلما أمكن

Battery Addendum



English

The crossed out wheeled bin label that can be found on your product indicates that this product and incorporated batteries should not be disposed of via the normal household waste stream. To prevent possible harm to the environment or human health please separate this product and its batteries from other waste streams to ensure that it can be recycled in an environmentally sound manner. For more details on available collection facilities please contact your local government office or the retailer where you purchased this product. Use of the chemical symbols Pb, Cd or Hg indicates if these metals are used in the battery.

Deutsch

Der Aufkleber mit durchgekrenzter Mülltonne an diesem Produkt weist darauf hin, dass dieses Produkt und darin enthaltene Batterien nicht im normalen Hausmüll entsorgt werden dürfen. Zur Vermeidung einer möglichen Beeinträchtigung der Umwelt oder der menschlichen Gesundheit und um zu gewährleisten, dass es in einer umweltverträglichen Weise recycelt wird, darf dieses Produkt mitsamt den Batterien nicht in den Hausmüll gegeben werden. Informationen zu Entsorgungseinrichtungen erhalten Sie bei der zuständigen Behörde oder dem Händler, bei dem Sie dieses Produkt erworben haben. Die Angabe der chemischen Zeichen Pb, Cd oder Hg bedeutet, dass diese Metalle in der Batterie verwendet werden.

Français

L'étiquette apposée sur ce produit et représentant une poubelle barrée indique que le produit et les piles intégrées ne peuvent être mis au rebut avec les déchets domestiques normaux. Afin d'éviter d'éventuels dommages au niveau de l'environnement ou sur la santé, veuillez séparer ce produit et ses piles des autres déchets de manière à garantir qu'ils soient recyclés de manière sûre au niveau environnemental. Pour plus de détails sur les sites de collecte existants, veuillez contacter l'administration locale ou le détaillant auprès duquel vous avez acheté ce produit. Les symboles chimiques Pb, Cd et Hg sont utilisés pour désigner les métaux présents dans les piles.

Italiano

L'etichetta con il contenitore barrato applicata sull'imballo indica che il prodotto e le batterie incluse non devono essere smaltiti tramite la procedura normale di smaltimento dei rifiuti domestici. Per evitare eventuali danni all'ambiente e alla salute umana, separare questo prodotto e le relative batterie da altri rifiuti domestici in modo che possano essere riciclati in base alle procedure di rispetto dell'ambiente. Per maggiori dettagli sulle strutture di raccolta disponibili, contattare l'ufficio competente del proprio comune o il rivenditore del prodotto. L'uso dei simboli chimici Pb, Cd o Hg indica la presenza di tali metalli nelle batterie.

Español

La etiqueta de un contenedor tachado que hallará en su producto indica que este producto y sus pilas no se pueden tirar con la basura doméstica normal. Para impedir posibles daños medioambientales o para la salud, separe este producto y sus pilas de otros canales de desecho para garantizar que se recicle de una forma segura para el medio ambiente. Para más información sobre las instalaciones de recolección disponibles, diríjase a las autoridades locales o al punto de venta donde adquirió este producto. Los símbolos químicos Pb, Cd o Hg indican que las pilas contienen ese metal.

Português

A etiqueta com o símbolo de um contentor de lixo traçado com uma cruz que aparece no produto indica que este produto e as pilhas incluídas não devem ser deitados fora juntamente com o lixo doméstico. Para evitar possíveis danos no ambiente ou na saúde pública, por favor separe este produto e respectivas pilhas de outros lixos; desta forma, terá a certeza de que podem ser reciclados através de métodos não prejudiciais ao ambiente. Para obter mais informações sobre os locais de recolha de lixo disponíveis, contacte a sua junta de freguesia, câmara municipal ou local onde comprou este produto. A utilização dos símbolos químicos Pb, Cd ou Hg indica se estes metais são utilizados na pilha.

Nederlands

Op uw product is een label van een rolcontainer met een kruis erdoor aangebracht. Dit label wil zeggen dat dit product en de batterijen in het product niet bij het normale huishoudelijk afval mogen worden ingezameld. Om eventuele schade aan het milieu of de gezondheid van de mens te voorkomen moeten dit product en de batterijen gescheiden van al het ander afval worden ingezameld, zodat alles op een verantwoorde wijze kan worden verwerkt. Voor meer informatie over uw lokale afvalinzameling wendt u zich tot uw gemeente of de leverancier bij wie u dit product hebt gekocht. Gebruik van de chemische symbolen Pb, Cd of Hg geeft aan of deze metalen worden gebruikt in de batterij.

Dansk

Etiketten med et kryds over skraldespanden på hjul, der sidder på produktet, angiver, at dette produkt og dets batterier ikke må bortskaffes sammen med almindeligt husholdningsaffald. For at beskytte miljø og helbred skal dette produkt og dets batterier bortskaffes separat, så disse dele kan genbruges på en måde, der er god for miljøet. Kontakt de lokale myndigheder eller den forhandler, hos hvem du har købt produktet, vedrørende steder, hvor du kan aflevere produktet. Brugen af de kemiske symboler Pb, Cd eller Hg angiver, om disse metaller er anvendt i batteriet.

Suomi

Laitte on merkitty jäteastia-symbolilla, jonka yli on vedetty rasti. Tämä tarkoittaa, ettei laitetta tai siihen kuuluvia paristoja saa hävittää normaalin talousjätteen mukana. Älä hävitä laitetta tai sen paristoja normaalin jätteen seassa vaan varmista, että laite kierrätetään ympäristöystävällisellä tavalla, jottei ympäristölle tai ihmisille aiheudu vahinkoa. Lisätietoja kierrätyksestä ja keräyspisteistä saa ottamalla yhteyttä paikallisiin viranomaisiin tai jälleenmyyjään, jolta laite ostettiin. Kemiallisten merkien Pb (lyijy), Cd (kadmium) tai Hg (elohopea) käyttö ilmaisee, että paristo sisältää kyseistä metallia.

Svenska

Symbolen med en överkorsad soptunna innebär att denna produkt och tillhörande batterier inte får kastas i vanligt hushållsavfall. För att skydda miljön ska denna produkt och dess batterier inte kastas tillsammans med vanligt hushållsavfall utan lämnas för återvinning på tillbörligt sätt. För mer information om uppsamlingsplatser kontakta din lokala myndighet eller den återförsäljare där du har köpt produkten. De kemiska symbolerna Pb, Cd eller Hg visar om dessa metaller används i batteriet.

Norsk

Etiketten på hjulbeholderen på produktet ditt antyder at produktet og batteriene som hører med, ikke skal avhendes sammen med vanlig husholdningsavfall. Hold produktet og batteriene atskilt fra annet avfall, slik at det kan resirkuleres på en miljømessig og forsvarlig måte og dermed forhindre eventuell skade på miljø eller helse. Kontakt lokale myndigheter, eller din forhandler, for mer informasjon angående avhenting av produktet. De kjemiske symbolene Pb, Cd og Hg antyder om disse metallene har blitt brukt i batteriet.

Česky

Štítek s přeškrtnutým odpadkovým košem na kolečkách, který lze nalézt na výrobku, označuje, že se tento výrobek a přiložené baterie nemají likvidovat s běžným domovním odpadem. V zájmu ochrany životního prostředí a lidského zdraví zlikvidujte tento výrobek a jeho baterie jako tříděný odpad, který se recykluje způsobem šetrným k životnímu prostředí. Podrobnější informace o sběrných dvorech pro tříděný odpad získáte na obecním úřadě nebo u prodejce, u kterého jste tento výrobek zakoupili. Použité chemické značky Pb, Cd nebo Hg označují, zda baterie obsahuje tyto kovy.

Magyar

A terméken található, áthúzott szemetest ábrázoló címke azt jelzi, hogy ezt a terméket és a hozzá tartozó elemeket nem szabad a rendes háztartási szeméttel együtt kidobni. Az esetleges környezeti- vagy egészségkárosodást megelőzendő, kérjük, hogy ezt a terméket és az elemeket a többi szeméttől elkülönítve helyezze el, és biztosítsa, hogy azt környezetbarát módon újrahasznosítsák. A rendelkezésére álló begyűjtő létesítményekről kérjük tájékozódjon a megfelelő helyi állami szerveknél vagy a viszonteladónál, ahol a terméket vásárolta. A Pb, Cd vagy Hg vegyjelek jelzik, ha ilyen fémeket is felhasználtak az elem gyártása során.

Polski

Symbol przekreślonego kosza znajdujący się na produkcie oznacza, że nie można produktu oraz wewnętrzznego akumulatora utylizować razem z normalnymi odpadami z gospodarstwa domowego. Aby zapobiec potencjalnemu zagrożeniu dla środowiska lub zdrowia ludzkiego, produkt oraz wewnętrzny akumulator należy odseparować od reszty odpadów z gospodarstwa domowego i utylizować w ekologicznie właściwy sposób. Szczegółowe informacje na temat punktów zbiórki odpadów można uzyskać w lokalnych urzędach lub u sprzedawcy danego produktu. Symbole chemiczne Pb, Cd lub Hg oznaczają, że metale te zostały zastosowane w akumulatorze.

Slovensky

Štítok s preškrtnutým odpadkovým košom na kolieskach, ktorý je možné nájsť na výrobku, označuje, že tento produkt a obsiahnuté batérie sa nemajú likvidovať s bežným komunálnym odpadom. V záujme ochrany životného prostredia a ľudského zdravia zlikvidujte tento výrobok a batérie ako triedený odpad, ktorý sa recykluje spôsobom šetrným k životnému prostrediu. Podrobnejšie informácie o zberných dvoroch pre triedený odpad získate na obecnom úrade alebo u predajcu, u ktorého ste príslušný výrobok zakúpili. Použitie chemických značiek Pb, Cd alebo Hg znamená, že tieto kovy sú použité v batériách.

Slovenski

Prečrtan koš za smeti na etiketi, katero lahko najdete na vašem izdelku, pomeni, da niti tega izdelka niti njegovih baterij ne smete odvreči podobno kot vse ostale smeti. Da bi preprečili morebitne škodljive vplive na okolje ali zdravje, ločite izdelek in njegove baterije od vseh ostalih odpadkov in poskrbite, da bodo reciklirani na okolju prijazen način. Natančne informacije o tem, kje se nahajajo primerna odlagališča, pridobite v vašem krajevnem uradu ali pri prodajalcu. Kemijski simboli Pb, Cd in Hg označujejo, katere kovine vsebuje baterija.

Eesti

Teie tootele kleebitud tähis, mis kujutab ratastega prügikonteinerit, millele on rist peale tõmmatud, keelab toote ja sellega kaasasolevate patareide kõrvaldamise majapidamisjäätmetega sarnasel viisil. Keskkonnale või inimeste tervisele tekitava võimaliku kahju vältimiseks eraldage toode ja selle patareid teistest jäätmetest, et tagada nende korduvkasutamise keskkonnasäästlikul viisil. Kui soovite saada rohkem teavet võimalike kogumispunktide kohta, võtke ühendust kohaliku omavalituse ametnikuga või teile toote müünud jaemüüjaga. Keemiliste sümbolite Pb, Cd või Hg kasutamise näitab, kas tootes on vastavaid metalle kasutatud.

Lietuviškai

Užbraukta ratuota šiukšliadėžės etiketė, kurią rasite ant jūsų produkto, reiškia, kad šis produktas ir pridedamos baterijos neturėtų būti išmestas kartu su įprastinėmis buitinėmis šiukšlėmis. Siekiant išvengti galimos žalos aplinkai bei žmonių sveikatai, prašome atskirti šį produktą ir pridedamas baterijas nuo kitų atliekų, ir įsitikinti, kad jis būtų perdirbtas aplinkai nepavojingu būdu. Jei reikia išsamesnės informacijos apie atliekų surinkimo ypatumus, prašome kreiptis į savo vietos valdžios įstaigas arba į mažmeninį pardavėją, iš kurio jūs įsigijote šį produktą. Atitinkamų metalų naudojimas baterijose yra pažymėtas cheminiais simboliais Pb, Cd arba Hg ant baterijų.

Latviski

Marķējums ar pārsvītrotu atkritumu tvertni uz ritenīšiem, kas redzams uz izstrādājuma, norāda, ka šo izstrādājumu un tajā iekļautās baterijas nedrīkst likvidēt kopā ar parastajiem sadzīves atkritumiem. Lai novērstu iespējamo kaitējumu videi vai cilvēku veselībai, lūdzu, atdaliet šo izstrādājumu un tā baterijas no citiem atkritumiem, tādējādi nodrošinot tā otrreizējo pārstrādi videi drošā veidā. Papildinformācijai par pieejamajām atkritumu savākšanas iespējām, lūdzu, sazinieties ar vietējo pašvaldību vai mazumtirgotāju, no kura jūs iegādājāties šo izstrādājumu. Ķīmisko simbolu Pb, Cd un Hg izmantošana uz marķējuma nozīmē, ka šie metāli ir izmantoti baterijā.

Ελληνικά

Η διαγραμμένη ετικέτα του τροχοφόρου κάδου απορριμμάτων που θα βρείτε πάνω στο προϊόν σας υποδεικνύει ότι αυτό το προϊόν και οι ενσωματωμένες μπαταρίες δεν πρέπει να απορρίπτεται μέσω του κανονικού δικτύου αποκομιδής οικιακών απορριμμάτων. Για να αποτρέψετε πιθανές επιπτώσεις στο περιβάλλον ή την ατομική υγεία, παρακαλούμε να διαχωρίσετε αυτό το προϊόν και τις μπαταρίες του από άλλα δίκτυα αποκομιδής ώστε να διασφαλίσετε ότι είναι δυνατή η ανακύκλωσή του με έναν περιβαλλοντικά θεμιτό τρόπο. Για περισσότερες πληροφορίες σχετικά με τις διαθέσιμες δυνατότητες συλλογής απορριμμάτων, παρακαλούμε να επικοινωνήσετε με την τοπική κυβερνητική αρχή ή το κατάστημα λιανικής από όπου αγοράσατε αυτό το προϊόν. Η χρήση των χημικών συμβόλων Pb, Cd ή Hg υποδεικνύει εάν χρησιμοποιούνται τα μέταλλα αυτά στην μπαταρία.

Türkçe

Ürününüzün üzerinde bulunan çarpi işaretli tekerlekli kutu etiketi, bu ürünün ve beraberinde gelen pillerin normal ev atık sistemi vasıtasıyla elden çıkarılmaması gerektiğini gösterir. Çevreye ve insan sağlığına zarar vermeyei önlemek için, lütfen bu ürünü ve pillerini çevreye zarar vermeyecek şekilde geri dönüşüme tabi tutulmak üzere diğer atıklardan ayırın. Mevcut toplama tesisleri ile ilgili ayrıntılı bilgi edinmek için, yerel devlet makamlarıyla veya bu ürünü satın aldığınız satıcıyla irtibata geçin. Pb, Cd veya Hg kimyasal sembollerinin kullanılması, bu metallerin pillerin üretiminde kullanılıp kullanılmadığını ifade eder.

Română

Eticheta arătând un coș de gunoi tăiat cu două linii încrucișate, care poate fi găsită pe produs, indică faptul că acesta și bateriile încorporate nu trebuie aruncate la gunoi laolaltă cu gunoiul menajer. Pentru a evita posibila degradare a mediului înconjurător sau a sănătății umane, colectați separat acest produs și bateriile încorporate și nu împuneți cu gunoiul menajer pentru a vă asigura că acestea pot fi reciclate într-un mod ecologic. Pentru mai multe detalii privind punctele disponibile de colectare, contactați autoritățile locale sau comerciantul de la care ați achiziționat acest produs. Utilizarea simbolurilor unor substanțe chimice precum Pb, Cd sau Hg indică faptul că aceste metale sunt utilizate în baterie.

Български

Етикетът, представляващ зачертано кошче за боклук в кръг, който можете да видите върху вашия продукт, означава, че този продукт и батериите към него не трябва да се изхвърлят заедно с обикновените домакински отпадъци. За предпазване от евентуални щети върху околната среда или човешкото здраве, моля, отделете този продукт и батериите му от останалите отпадъци, за да се гарантира, че той ще бъде рециклиран по екологично съобразен начин. За повече информация относно наличните места за събиране на отпадъци, моля, свържете се с местните власти или търговеца, от когото сте закупили този продукт. Химическите символи Pb, Cd и Hg подсочват дали съответните метали са използвани в батерията.

This information only applies to customers in the European Union, according to DIRECTIVE 2006/66/EC OF THE EUROPEAN PARLIAMENT AND OF THE COUNCIL OF 6 September 2006 on batteries and accumulators and waste batteries and accumulators and repealing Directive 91/157/EEC and legislation transposing and implementing it into the various national legal systems.

For other countries, please contact your local government to investigate the possibility of recycling your product.

安全須知

警告、注意與附註



警告

請務必小心遵守以免身體受傷。



注意

請務必遵守以免損害您的設備。

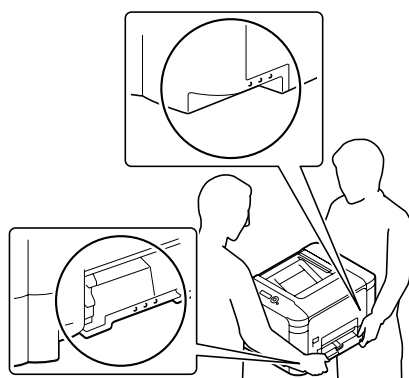
附註

包含有關印表機操作的重要資訊及實用小秘訣。

重要安全須知

設定印表機

- ❑ 印表機含耗材重量約 27 kg (59.5 lb)，無法由一人單獨抬起或搬運。因此應合兩人之力，依下圖所示，握住正確的位置抬起印表機。



- ❑ 若無法將 AC 插頭插入電源插座，請與電工技師聯絡。
- ❑ AC 電源線必須符合當地相關安全標準。只能夠使用本產品內附的電源線。若使用其他電線可能會導致起火或觸電。本產品電源線僅供本產品使用。若用於其他設備可能會導致起火或觸電。

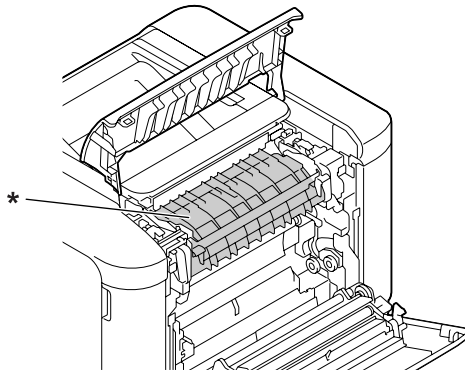
- ❑ 若插頭有損毀，請更換整組電線或洽詢合格的電工技師。若插頭中有保險絲，請更換正確尺寸與額定功率的保險絲。
- ❑ 使用與印表機電源插頭一樣有接地的電源插座。請勿使用轉接插頭。
- ❑ 請避免使用以牆壁開關或自動定時器控制的電子電源插座，意外地斷電或是供電都很容易將電腦主機和印表機記憶體內的資料損毀。
- ❑ 請確定插槽上沒有灰塵。
- ❑ 請務必將插頭確實插入電源插座。
- ❑ 雙手潮濕時，請勿拿取插頭。
- ❑ 發生以下情況時，請將印表機插頭從牆壁電源插座上取下，並諮詢合格的維修人員：
 - A. 電源線或插頭有損毀或磨損。
 - B. 有液體濺入機器。
 - C. 被雨水或水淋濕。
 - D. 依照操作說明仍無法正常運作。您只能夠調整操作說明所述的控制項，若不當操作其他控制項可能導致機器損壞，如此通常需要由合格的技術人員費時費工才能修復產品。
 - E. 若曾掉落或機櫃有受損。
 - F. 若機器效能有明顯改變，表示需要維修。
- ❑ 請避免與其他電器共用電源插頭。
- ❑ 請將所有設備正確地連接接地的電源插座。請避免使用經常開關機的相同電路插座，如影印機或空調系統。
- ❑ 請將印表機連接符合本機電源需求的電源插座。在印表機的標籤上會標示印表機的電力需求。如果您不確定當地的電源規格，請洽當地電力公司或經銷商。
- ❑ 如果使用延長線，請確定連接延長線的產品總安培額定值未超過延長線的安培額定值。
- ❑ 使用連接線將本產品連接電腦或其他裝置時，請確定接頭的方向正確。每種接頭都只有一個正確的方向。若接頭插入的方向錯誤，可能導致連接雙方的裝置損壞。
- ❑ 使用選購的紙匣時，請務必正確安裝栓鎖。關於安裝栓鎖的說明，請參考《進階使用說明》。

選擇印表機的位置

- ❑ 請將印表機放在方便您插上及拔除電源線的電源插座附近。
- ❑ 請勿將印表機放在電線容易遭踩踏之處。
- ❑ 請勿在潮濕的環境中使用印表機。
- ❑ 請避免將印表機放在容易受到陽光直射、高溫、潮濕、油煙或多粉塵的地方。
- ❑ 請勿將印表機放在不平穩的表面。
- ❑ 在印表機背面和底部的細縫和開口，是印表機的通風口。因此，請保持這些通風口的清潔和順暢。請不要將印表機放在床鋪上、沙發或密閉式的空間內，因為這些地方可能會堵塞通風口。
- ❑ 請將電腦與印表機系統遠離任何可能的干擾源，如擴音機或無線電話的底座。
- ❑ 印表機四周請保留足夠的通風空間。

使用印表機

- ❑ 請注意切勿碰觸定影器，在其本身或周圍區域會標示“**CAUTION / 注意高溫**”。在使用印表機時，定影器及其周圍區域的溫度可能會變高，若您必須碰觸這些區域，請等候 40 分鐘散熱後再觸碰。



* CAUTION / 注意高溫

- ❑ 請勿將您的手放入定影器單元，因為其中有些零件的邊緣非常銳利，可能會造成傷害。
- ❑ 請勿將任何異物由外殼溝槽插入，以免碰觸到危險的電壓接點或是造成零件短路，並且可能會導致起火或觸電的危險。

- ❑ 請勿坐、靠在印表機上。請勿以重物壓在印表機上。
- ❑ 請勿在印表機內或附近使用任何種類的可燃氣體。
- ❑ 請不要過於用力安裝印表機配件。雖然，這台印表機是非常堅固，但是太粗暴的動作還是會損壞印表機。
- ❑ 請勿將夾紙留在印表機內，否則可能會導致印表機過熱。
- ❑ 請勿在印表機上潑灑任何液體。
- ❑ 您只能夠調整操作說明所述的控制項，若不當操作其他控制項可能導致機器損壞，如此通常需要由合格的技術人員修復。
- ❑ 請勿在下列情況中關閉印表機電源：
 - 印表機開機後，請等到 LCD 面板顯示“就緒”。
 - 列印或其他操作期間，如將資料寫入外接式裝置時。
- ❑ 除本手冊中特別指示外，請避免碰觸印表機的內部零件。
- ❑ 請遵循印表機上標示的所有警告與指示說明。
- ❑ 除了手冊中所提到的操作步驟，請不要試圖自行維修這台印表機。
- ❑ 請定時將印表機的插頭自電源插座上取下，清潔插頭刀葉。
- ❑ 印表機尚未關機，請勿取下插頭。
- ❑ 若長時間不使用印表機，請將插頭自電源插座上取下。
- ❑ 清潔前，請先取下電源插座上的印表機插頭。
- ❑ 請使用擰乾的布清潔；不要使用液體或噴霧清潔劑。
- ❑ 搬動印表機時，請保持水平。
- ❑ 請勿強行硬拉出夾紙，因為撕裂的碎屑很難取出，而且可能導致其他夾紙問題。請將紙張輕輕平穩地取出，避免紙張撕裂、掉下而導致受傷。
- ❑ 取下插頭時，請勿強拉電源線。務必拿穩插頭再取下。
- ❑ 有時紙張邊緣過於銳利，拿取時請小心，以免割傷。
- ❑ 搬運印表機時，請先關閉電源然後取下電源插座上的插頭。請務必取下所有連接線。

處理耗材

- ❑ 請勿燃燒已使用的耗材，否則可能會導致爆炸並造成人員受傷。請依據地方法規進行棄置。
- ❑ 請將耗材產品存放於孩童無法取得之處。
- ❑ 處理感光滾筒時，請將其放置在乾淨平整的表面上。
- ❑ 請勿嘗試修改或拆解感光滾筒。
- ❑ 請勿接觸碳粉，務必使碳粉遠離您的雙眼。若碳粉接觸到您的皮膚或衣物，請立即以肥皂及清水清洗。
- ❑ 若碳粉外漏，請使用掃帚及畚箕或沾有肥皂水的布清理。請勿使用吸塵器清理，因為細微的碳粉顆粒如果接觸到火星可能會起火或發生爆炸。
- ❑ 將感光滾筒從冷的地方移到溫暖的環境時，請先至少等候一小時再使用，以免因凝結而損壞裝置。
- ❑ 為獲得最佳列印品質，請勿將碳粉匣存放於任何日光直射、多粉塵、含鹽分空氣或含腐蝕性氣體（例如阿摩尼亞）的環境中。請避免將這台機器放置在極端溫溼度，以及會急速改變溫溼度的環境中。
- ❑ 取出感光滾筒時，請勿將其曝露於日光下，並避免將其曝露於室內光線下超過五分鐘。感光滾筒內含有一個對光線敏感的滾筒，曝露在光線下可能會對滾筒造成損壞，使列印頁面上出現暗處或亮處，並減短滾筒的使用壽命。如需長時間將感光滾筒放在印表機以外的地方，請以不透光的布料將其包裹。
- ❑ 請小心不要刮傷滾筒的表面。當從印表機中取出感光滾筒時，請記得將其放在乾淨平穩的桌面上。請避免觸碰滾筒，以免皮膚上的油脂對滾筒的表面造成永久性的損壞，並影響列印品質。

安全資訊

雷射安全標籤



警告：

若執行印表機說明文件以外的程序與效能調整，可能導致您暴露於危險的輻射環境中。本印表機為 IEC60825 規格所定義的 Class 1 雷射產品。各國所要求標示之標籤，黏貼於印表機背面。



內部雷射的輻射量

這是 Class III b 雷射二極體組裝元件會產生不可見的雷射光束，印表機的列印頭單元是一個“不可維修項目的元件”，意即列印頭在任何環境下都不可以被拆開分解。印表機內部另貼有雷射警告標籤。



臭氧安全性

臭氧排放量

臭氧是雷射印表機在列印過程中的所產生的副產品，僅在印表機進行列印時才會製造臭氧。

臭氧排放限制

Epson 雷射印表機在連續列印下所產生的臭氧量低於 3 mg/h。

降低風險

為降低臭氧排放過量的風險，您應避免下列情況：

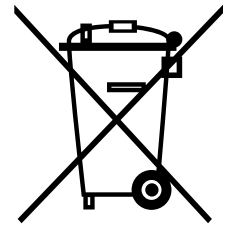
- 在密閉區域使用多部雷射印表機
- 在濕度極低的環境下操作
- 室內通風不良
- 在上述任何條件中進行長時間的連續列印

印表機位置

應將印表機放置在下列位置，以便使廢氣及所產生的熱氣：

- 不會直接吹拂在臉上的地方
- 在可能的情況下可直接由建築物中排出

Battery Addendum



English

The crossed out wheeled bin label that can be found on your product indicates that this product and incorporated batteries should not be disposed of via the normal household waste stream. To prevent possible harm to the environment or human health please separate this product and its batteries from other waste streams to ensure that it can be recycled in an environmentally sound manner. For more details on available collection facilities please contact your local government office or the retailer where you purchased this product. Use of the chemical symbols Pb, Cd or Hg indicates if these metals are used in the battery.

Deutsch

Der Aufkleber mit durchgekrenzter Mülltonne an diesem Produkt weist darauf hin, dass dieses Produkt und darin enthaltene Batterien nicht im normalen Hausmüll entsorgt werden dürfen. Zur Vermeidung einer möglichen Beeinträchtigung der Umwelt oder der menschlichen Gesundheit und um zu gewährleisten, dass es in einer umweltverträglichen Weise recycelt wird, darf dieses Produkt mitsamt den Batterien nicht in den Hausmüll gegeben werden. Informationen zu Entsorgungseinrichtungen erhalten Sie bei der zuständigen Behörde oder dem Händler, bei dem Sie dieses Produkt erworben haben. Die Angabe der chemischen Zeichen Pb, Cd oder Hg bedeutet, dass diese Metalle in der Batterie verwendet werden.

Français

L'étiquette apposée sur ce produit et représentant une poubelle barrée indique que le produit et les piles intégrées ne peuvent être mis au rebut avec les déchets domestiques normaux. Afin d'éviter d'éventuels dommages au niveau de l'environnement ou sur la santé, veuillez séparer ce produit et ses piles des autres déchets de manière à garantir qu'ils soient recyclés de manière sûre au niveau environnemental. Pour plus de détails sur les sites de collecte existants, veuillez contacter l'administration locale ou le détaillant auprès duquel vous avez acheté ce produit. Les symboles chimiques Pb, Cd et Hg sont utilisés pour désigner les métaux présents dans les piles.

Italiano

L'etichetta con il contenitore barrato applicata sull'imballo indica che il prodotto e le batterie incluse non devono essere smaltiti tramite la procedura normale di smaltimento dei rifiuti domestici. Per evitare eventuali danni all'ambiente e alla salute umana, separare questo prodotto e le relative batterie da altri rifiuti domestici in modo che possano essere riciclati in base alle procedure di rispetto dell'ambiente. Per maggiori dettagli sulle strutture di raccolta disponibili, contattare l'ufficio competente del proprio comune o il rivenditore del prodotto. L'uso dei simboli chimici Pb, Cd o Hg indica la presenza di tali metalli nelle batterie.

Español

La etiqueta de un contenedor tachado que hallará en su producto indica que este producto y sus pilas no se pueden tirar con la basura doméstica normal. Para impedir posibles daños medioambientales o para la salud, separe este producto y sus pilas de otros canales de desecho para garantizar que se recicle de una forma segura para el medio ambiente. Para más información sobre las instalaciones de recolección disponibles, diríjase a las autoridades locales o al punto de venta donde adquirió este producto. Los símbolos químicos Pb, Cd o Hg indican que las pilas contienen ese metal.

Português

A etiqueta com o símbolo de um contentor de lixo traçado com uma cruz que aparece no produto indica que este produto e as pilhas incluídas não devem ser deitados fora juntamente com o lixo doméstico. Para evitar possíveis danos no ambiente ou na saúde pública, por favor separe este produto e respectivas pilhas de outros lixos; desta forma, terá a certeza de que podem ser reciclados através de métodos não prejudiciais ao ambiente. Para obter mais informações sobre os locais de recolha de lixo disponíveis, contacte a sua junta de freguesia, câmara municipal ou local onde comprou este produto. A utilização dos símbolos químicos Pb, Cd ou Hg indica se estes metais são utilizados na pilha.

Nederlands

Op uw product is een label van een rolcontainer met een kruis erdoor aangebracht. Dit label wil zeggen dat dit product en de batterijen in het product niet bij het normale huishoudelijk afval mogen worden ingezameld. Om eventuele schade aan het milieu of de gezondheid van de mens te voorkomen moeten dit product en de batterijen gescheiden van al het ander afval worden ingezameld, zodat alles op een verantwoorde wijze kan worden verwerkt. Voor meer informatie over uw lokale afvalinzameling wendt u zich tot uw gemeente of de leverancier bij wie u dit product hebt gekocht. Gebruik van de chemische symbolen Pb, Cd of Hg geeft aan of deze metalen worden gebruikt in de batterij.

Dansk

Etiketten med et kryds over skraldespanden på hjul, der sidder på produktet, angiver, at dette produkt og dets batterier ikke må bortskaffes sammen med almindeligt husholdningsaffald. For at beskytte miljø og helbred skal dette produkt og dets batterier bortskaffes separat, så disse dele kan genbruges på en måde, der er god for miljøet. Kontakt de lokale myndigheder eller den forhandler, hos hvem du har købt produktet, vedrørende steder, hvor du kan aflevere produktet. Brugen af de kemiske symboler Pb, Cd eller Hg angiver, om disse metaller er anvendt i batteriet.

Suomi

Laitte on merkitty jäteastia-symbolilla, jonka yli on vedetty rasti. Tämä tarkoittaa, ettei laitetta tai siihen kuuluvia paristoja saa hävittää normaalin talousjätteen mukana. Älä hävitä laitetta tai sen paristoja normaalin jätteen seassa vaan varmista, että laite kierrätetään ympäristöystävällisellä tavalla, jottei ympäristölle tai ihmisille aiheudu vahinkoa. Lisätietoja kierrätyksestä ja keräyspisteistä saa ottamalla yhteyttä paikallisiin viranomaisiin tai jälleenmyyjään, jolta laite ostettiin. Kemiallisten merkien Pb (lyijy), Cd (kadmium) tai Hg (elohopea) käyttö ilmaisee, että paristo sisältää kyseistä metallia.

Svenska

Symbolen med en överkorsad soptunna innebär att denna produkt och tillhörande batterier inte får kastas i vanligt hushållsavfall. För att skydda miljön ska denna produkt och dess batterier inte kastas tillsammans med vanligt hushållsavfall utan lämnas för återvinning på tillbörligt sätt. För mer information om uppsamlingsplatser kontakta din lokala myndighet eller den återförsäljare där du har köpt produkten. De kemiska symbolerna Pb, Cd eller Hg visar om dessa metaller används i batteriet.

Norsk

Etiketten på hjulbeholderen på produktet ditt antyder at produktet og batteriene som hører med, ikke skal avhendes sammen med vanlig husholdningsavfall. Hold produktet og batteriene atskilt fra annet avfall, slik at det kan resirkuleres på en miljømessig og forsvarlig måte og dermed forhindre eventuell skade på miljø eller helse. Kontakt lokale myndigheter, eller din forhandler, for mer informasjon angående avhenting av produktet. De kjemiske symbolene Pb, Cd og Hg antyder om disse metallene har blitt brukt i batteriet.

Česky

Štítek s přeškrtnutým odpadkovým košem na kolečkách, který lze nalézt na výrobku, označuje, že se tento výrobek a přiložené baterie nemají likvidovat s běžným domovním odpadem. V zájmu ochrany životního prostředí a lidského zdraví zlikvidujte tento výrobek a jeho baterie jako tříděný odpad, který se recykluje způsobem šetrným k životnímu prostředí. Podrobnější informace o sběrných dvorech pro tříděný odpad získáte na obecním úřadě nebo u prodejce, u kterého jste tento výrobek zakoupili. Použité chemické značky Pb, Cd nebo Hg označují, zda baterie obsahuje tyto kovy.

Magyar

A termékén található, áthúzott szemetest ábrázoló címke azt jelzi, hogy ezt a terméket és a hozzá tartozó elemeket nem szabad a rendes háztartási szeméttel együtt kidobni. Az esetleges környezeti- vagy egészségkárosodást megelőzendő, kérjük, hogy ezt a terméket és az elemeket a többi szeméttől elkülönítve helyezze el, és biztosítsa, hogy azt környezetbarát módon újrahasznosítsák. A rendelkezésére álló begyűjtő létesítményekről kérjük tájékozódjon a megfelelő helyi állami szerveknél vagy a viszonteladónál, ahol a terméket vásárolta. A Pb, Cd vagy Hg vegyjelek jelzik, ha ilyen fémeket is felhasználtak az elem gyártása során.

Polski

Symbol przekreślonego kosza znajdujący się na produkcie oznacza, że nie można produktu oraz wewnętrzznego akumulatora utylizować razem z normalnymi odpadami z gospodarstwa domowego. Aby zapobiec potencjalnemu zagrożeniu dla środowiska lub zdrowia ludzkiego, produkt oraz wewnętrzny akumulator należy odseparować od reszty odpadów z gospodarstwa domowego i utylizować w ekologicznie właściwy sposób. Szczegółowe informacje na temat punktów zbiórki odpadów można uzyskać w lokalnych urzędach lub u sprzedawcy danego produktu. Symbole chemiczne Pb, Cd lub Hg oznaczają, że metale te zostały zastosowane w akumulatorze.

Slovensky

Štítok s preškrtnutým odpadkovým košom na kolieskach, ktorý je možné nájsť na výrobku, označuje, že tento produkt a obsiahnuté batérie sa nemajú likvidovať s bežným komunálnym odpadom. V záujme ochrany životného prostredia a ľudského zdravia zlikvidujte tento výrobok a batérie ako triedený odpad, ktorý sa recykluje spôsobom šetrným k životnému prostrediu. Podrobnejšie informácie o zberných dvoroch pre triedený odpad získate na obecnom úrade alebo u predajcu, u ktorého ste príslušný výrobok zakúpili. Použitie chemických značiek Pb, Cd alebo Hg znamená, že tieto kovy sú použité v batériách.

Slovenski

Prečrtan koš za smeti na etiketi, katero lahko najdete na vašem izdelku, pomeni, da niti tega izdelka niti njegovih baterij ne smete odvreči podobno kot vse ostale smeti. Da bi preprečili morebitne škodljive vplive na okolje ali zdravje, ločite izdelek in njegove baterije od vseh ostalih odpadkov in poskrbite, da bodo reciklirani na okolju prijazen način. Natančne informacije o tem, kje se nahajajo primerna odlagališča, pridobite v vašem krajevnem uradu ali pri prodajalcu. Kemijski simboli Pb, Cd in Hg označujejo, katere kovine vsebuje baterija.

Eesti

Teie tootele kleebitud tähis, mis kujutab ratastega prügikonteinerit, millele on rist peale tõmmatud, keelab toote ja sellega kaasasolevate patareide kõrvaldamise majapidamisjäätmetega sarnasel viisil. Keskkonnale või inimeste tervisele tekitava võimaliku kahju vältimiseks eraldage toode ja selle patareid teistest jäätmetest, et tagada nende korduvkasutamise keskkonnasäästlikul viisil. Kui soovite saada rohkem teavet võimalike kogumispunktide kohta, võtke ühendust kohaliku omavalituse ametnikuga või teile toote müünud jaemüüjaga. Keemiliste sümbolite Pb, Cd või Hg kasutamise näitab, kas tootes on vastavaid metalle kasutatud.

Lietuviškai

Užbraukta ratuota šiukšliadėžės etiketė, kurią rasite ant jūsų produkto, reiškia, kad šis produktas ir pridedamos baterijos neturėtų būti išmestas kartu su įprastinėmis buitinėmis šiukšlėmis. Siekiant išvengti galiamos žalos aplinkai bei žmonių sveikatai, prašome atskirti šį produktą ir pridedamas baterijas nuo kitų atliekų, ir įsitikinti, kad jis būtų perdirbtas aplinkai nepavojing būdu. Jei reikia išsamesnės informacijos apie atliekų surinkimo ypatumus, prašome kreiptis į savo vietos valdžios įstaigas arba į mažmeninį pardavėją, iš kurio jūs įsigijote šį produktą. Atitinkamų metalų naudojimas baterijose yra pažymėtas cheminiais simboliais Pb, Cd arba Hg ant baterijų.

Latviski

Marķējums ar pārsvītrotu atkritumu tvertni uz ritenīšiem, kas redzams uz izstrādājuma, norāda, ka šo izstrādājumu un tajā iekļautās baterijas nedrīkst likvidēt kopā ar parastajiem sadzīves atkritumiem. Lai novērstu iespējamo kaitējumu videi vai cilvēku veselībai, lūdzu, atdaliet šo izstrādājumu un tā baterijas no citiem atkritumiem, tādējādi nodrošinot tā otrreizējo pārstrādi videi drošā veidā. Papildinformācijai par pieejamajām atkritumu savākšanas iespējām, lūdzu, sazinieties ar vietējo pašvaldību vai mazumtirgotāju, no kura jūs iegādājāties šo izstrādājumu. Ķīmisko simbolu Pb, Cd un Hg izmantošana uz marķējuma nozīmē, ka šie metāli ir izmantoti baterijā.

Ελληνικά

Η διαγραμμένη ετικέτα του τροχοφόρου κάδου απορριμμάτων που θα βρείτε πάνω στο προϊόν σας υποδεικνύει ότι αυτό το προϊόν και οι ενσωματωμένες μπαταρίες δεν πρέπει να απορρίπτεται μέσω του κανονικού δικτύου αποκομιδής οικιακών απορριμμάτων. Για να αποτρέψετε πιθανές επιπτώσεις στο περιβάλλον ή την ατομική υγεία, παρακαλούμε να διαχωρίσετε αυτό το προϊόν και τις μπαταρίες του από άλλα δίκτυα αποκομιδής ώστε να διασφαλίσετε ότι είναι δυνατή η ανακύκλωσή του με έναν περιβαλλοντικά θεμιτό τρόπο. Για περισσότερες πληροφορίες σχετικά με τις διαθέσιμες δυνατότητες συλλογής απορριμμάτων, παρακαλούμε να επικοινωνήσετε με την τοπική κυβερνητική αρχή ή το κατάστημα λιανικής από όπου αγοράσατε αυτό το προϊόν. Η χρήση των χημικών συμβόλων Pb, Cd ή Hg υποδεικνύει εάν χρησιμοποιούνται τα μέταλλα αυτά στην μπαταρία.

Türkçe

Ürününüzün üzerinde bulunan çarpi işaretli tekerlekli kutu etiketi, bu ürünün ve beraberinde gelen pillerin normal ev atık sistemi vasıtasıyla elden çıkarılmaması gerektiğini gösterir. Çevreye ve insan sağlığına zarar vermeyei önlemek için, lütfen bu ürünü ve pillerini çevreye zarar vermeyecek şekilde geri dönüşüme tabi tutulmak üzere diğer atıklardan ayırın. Mevcut toplama tesisleri ile ilgili ayrıntılı bilgi edinmek için, yerel devlet makamlarıyla veya bu ürünü satın aldığınız satıcıyla irtibata geçin. Pb, Cd veya Hg kimyasal sembollerinin kullanılması, bu metallerin pillerin üretiminde kullanılıp kullanılmadığını ifade eder.

Română

Eticheta arătând un coș de gunoi tăiat cu două linii încrucișate, care poate fi găsită pe produs, indică faptul că acesta și bateriile încorporate nu trebuie aruncate la gunoi laolaltă cu gunoiul menajer. Pentru a evita posibila degradare a mediului înconjurător sau a sănătății umane, colectați separat acest produs și bateriile încorporate și nu împuneți cu gunoiul menajer pentru a vă asigura că acestea pot fi reciclate într-un mod ecologic. Pentru mai multe detalii privind punctele disponibile de colectare, contactați autoritățile locale sau comerciantul de la care ați achiziționat acest produs. Utilizarea simbolurilor unor substanțe chimice precum Pb, Cd sau Hg indică faptul că aceste metale sunt utilizate în baterie.

Български

Етикетът, представляващ зачертано кошче за боклук в кръг, който можете да видите върху вашия продукт, означава, че този продукт и батериите към него не трябва да се изхвърлят заедно с обикновените домакински отпадъци. За предпазване от евентуални щети върху околната среда или човешкото здраве, моля, отделете този продукт и батериите му от останалите отпадъци, за да се гарантира, че той ще бъде рециклиран по екологично съобразен начин. За повече информация относно наличните места за събиране на отпадъци, моля, свържете се с местните власти или търговеца, от когото сте закупили този продукт. Химическите символи Pb, Cd и Hg подсочват дали съответните метали са използвани в батерията.

This information only applies to customers in the European Union, according to DIRECTIVE 2006/66/EC OF THE EUROPEAN PARLIAMENT AND OF THE COUNCIL OF 6 September 2006 on batteries and accumulators and waste batteries and accumulators and repealing Directive 91/157/EEC and legislation transposing and implementing it into the various national legal systems.

For other countries, please contact your local government to investigate the possibility of recycling your product.

안전 유의사항

경고, 주의, 참고



경고

인체에 상해를 입을 수 있는 사항이므로 반드시 따라야 합니다.



주의

장비 손상을 방지하기 위한 사항이므로 반드시 따라야 합니다.

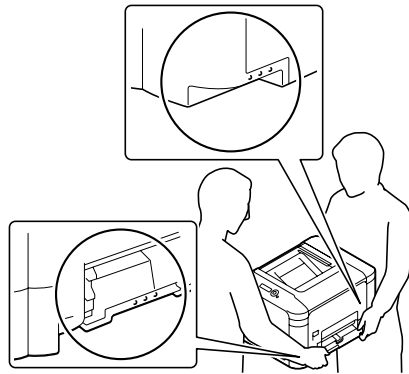
참고

프린터를 사용할 때 유용한 주요 정보가 있습니다.

중요 안전 유의사항

프린터 설치

- 프린터 무게는 소모품을 포함하여 약 27kg이므로 한 사람이 들어올리거나 운반하려 해서는 안됩니다. 아래 그림과 같은 위치로 두 사람이 프린터를 들어 올려야 합니다.



- 전기 콘센트에 AC 플러그를 꽂을 수 없는 경우에는 전기 기술자에게 문의하십시오.

- AC 전원 코드가 해당 지역의 전원 규격에 맞는지 확인하십시오. 제품과 함께 제공된 전원 코드만 사용하십시오. 다른 전원 코드를 사용할 경우 화재나 감전의 위험이 있습니다. 이 제품의 전원 코드는 이 제품 전용입니다. 다른 장비에 사용하면 화재나 감전의 위험이 있습니다.
- 플러그가 손상될 경우 코드 세트를 교체하거나 전기 기술자에게 문의하십시오. 플러그에 퓨즈가 있는 경우 올바른 크기와 정격의 퓨즈로 교체하십시오.
- 프린터 전원 플러그와 맞는 접지된 콘센트를 사용하십시오. 어댑터 플러그는 사용하지 마십시오.
- 벽 스위치나 자동 타이머로 조정되는 전기 콘센트는 사용하지 마십시오. 우발적인 정전으로 인해 컴퓨터와 프린터 메모리의 중요한 정보가 삭제될 수 있습니다.
- 소켓에 먼지가 없는지 확인하십시오.
- 플러그가 전원 콘센트에 확실하게 꽂혀있는지 확인하십시오.
- 젖은 손으로 플러그를 만지지 마십시오.
- 다음과 같은 현상이 발생하는 경우에는 콘센트에서 프린터 전원 코드를 뽑고 전문 서비스 기술자에게 수리를 의뢰하십시오.
 - A. 전원 코드나 플러그가 손상되거나 표피가 벗겨진 경우
 - B. 음료수나 물 등을 흘린 경우
 - C. 빗물이나 물에 노출된 적이 있는 경우
 - D. 상기 유의사항을 준수했는데도 정상적으로 작동하지 않는 경우 사용설명서에 지시된 해당 부분만 조정하십시오. 다른 제어를 잘못 조정하면 프린터가 손상될 수 있으며, 전문 서비스 기술자에 의해 수리해야 하는 경우도 있습니다.
 - E. 떨어뜨렸거나 캐비닛이 손상된 경우
 - F. 뚜렷한 성능 저하가 나타나 서비스가 필요한 경우
- 다른 장치와 콘센트를 같이 사용하지 마십시오.
- 모든 기기는 제대로 접지된 전원 콘센트에 연결하십시오. 수시로 전원이 켜지고 꺼지는 복사기 또는 공기 조절 시스템과 동일한 회로에 있는 콘센트는 사용하지 마십시오.

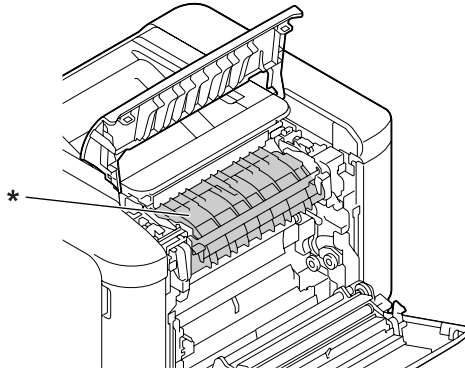
- 이 프린터의 전원 규격에 맞는 전기 콘센트에 이 프린터를 연결하십시오. 이 프린터의 전원 규격은 프린터 뒷면에 부착된 라벨에 기재되어 있습니다. 해당 지역의 전원 공급 규격을 잘 모르는 경우에는 해당 지역의 전력 회사에 문의하십시오.
- 연장 코드를 사용하는 경우에는 연장 코드에 함께 꽂은 제품 전체의 전류 총량이 연장 코드의 한계 전류량을 넘지 않도록 하십시오.
- 케이블로 이 제품을 컴퓨터 또는 다른 장치에 연결할 때 커넥터의 방향이 정확한지 확인하십시오. 각 커넥터는 한쪽 방향에만 정확히 연결되도록 되어 있습니다. 잘못된 방향으로 커넥터를 연결하면 케이블로 연결된 두 장치가 모두 손상될 수 있습니다.
- 옵션 용지 카세트 장치를 사용하는 경우 위치 조정 핀을 올바르게 장착하십시오. 위치 조정 핀을 장착하는 방법에 대한 자세한 내용은 사용설명서를 참조하십시오.

프린터 설치 장소 찾기

- 프린터는 전원 코드를 쉽게 꽂고 뽑을 수 있도록 설치하십시오.
- 프린터 전원 코드를 여러 번 연결된 콘센트에 꽂지 마십시오.
- 습한 환경에서 프린터를 사용하지 마십시오.
- 직사광선, 과도한 열, 습기, 유증기 또는 먼지가 많은 곳에 설치하지 마십시오.
- 표면이 고르지 못한 장소에 프린터를 설치하지 마십시오.
- 캐비닛의 슬롯과 개구부 및 뒷면 또는 밑면은 환기 공간을 확보하기 위한 것입니다. 가로막거나 덮어 두지 마십시오. 프린터는 침대, 소파, 깔개 또는 기타 유사한 표면을 가진 장소에 두지 마십시오. 또한 환기 공간이 충분히 확보되지 않으면 프린터를 불박이로 설치하지 마십시오.
- 컴퓨터와 프린터 시스템 전체를 스피커나 무선 전화기 본체와 같은 전자파 간섭 원인이 될 수 있는 물체로부터 떨어진 곳에 설치하십시오.
- 환기 공간을 충분히 확보하기 위해 프린터 주변에 적절한 여유 공간을 두십시오.

프린터 사용

- **주의**라는 경고문이 새겨진 퓨저와 그 주변부를 만지지 마십시오. 프린터를 사용한 직후의 퓨저와 그 주변부는 매우 뜨겁습니다. 이 영역을 만져야 할 경우 열이 식도록 40분 정도 기다리십시오.



* 주의

- 퓨저 장치 안으로 손을 넣지 마십시오. 내부의 날카로운 부품에 의한 상해를 입을 수 있습니다.
- 캐비닛 슬롯을 통해서는 어떤 물체도 밀어 넣지 마십시오. 고전압이 흐르는 부분이나 누전되는 부분으로 인해 화재나 감전의 위험이 있습니다.
- 프린터 위에 앉거나 기대지 마십시오. 프린터 위에 무거운 물체를 올려놓지 마십시오.
- 프린터 내부 또는 주변에 가연성 가스를 사용하지 마십시오.
- 프린터의 부품을 무리하게 끼워 넣지 마십시오. 프린터는 내구성을 갖도록 설계되어 있지만, 무리하게 힘을 가할 경우 손상을 입을 수도 있습니다.
- 걸린 용지를 프린터에 방치하지 않도록 하십시오. 프린터가 과열될 수 있습니다.
- 프린터에 물이나 음료수 등을 떨어뜨리지 않도록 주의하십시오.
- 설명서에 지시된 해당 부분만 조정하십시오. 다른 제어기를 잘못 조정하면 프린터가 손상될 수 있으며, 전문 서비스 기술자에게 수리해야 하는 경우도 있습니다.
- 다음과 같은 경우에는 프린터를 끄지 마십시오.
 - 프린터를 끈 다음, LCD 패널에 Ready 표시가 나타날 때까지 기다리십시오.
 - 인쇄 중 또는 외부 장치에 데이터 작성과 같은 기타 작동 중의 경우
- 이 설명서에서 지시된 경우 외에는 프린터 내부의 부품을 만지지 마십시오.

- 프린터에 표시되어 있는 모든 경고 및 지시사항을 따르십시오.
- 프린터 사용설명서에 특별히 설명된 경우를 제외하고는 프린터를 직접 고치려고 시도하지 마십시오.
- 전원 콘센트에서 플러그를 정기적으로 분리하여 블레이드를 청소하십시오.
- 프린터가 켜져 있는 동안에는 플러그를 분리하지 마십시오.
- 프린터를 장기간 사용하지 않을 경우 전원 콘센트에서 플러그를 분리하십시오.
- 프린터를 청소하기 전에 먼저 콘센트에서 프린터 전원 코드를 뽑으십시오.
- 청소할 때에는 물기를 짜낸 헝겊을 사용하고, 액체나 분무기 형태의 세제는 사용하지 마십시오.
- 프린터 운반 시 프린터를 항상 수평으로 유지하십시오.
- 걸린 용지는 억지로 제거하지 마십시오. 용지가 찢어지면 제거하기 어렵고 다른 용지가 계속 걸릴 수 있습니다. 용지가 찢어지면서 넘어져 부상을 입지 않도록 조심하여 당겨 빼내십시오.
- 플러그를 분리할 때 전원 케이블을 잡아당기지 마십시오. 항상 플러그를 잡고 분리하십시오.
- 용지 가장자리에 베일 수 있으니 용지 가장자리가 피부에 스치지 않도록 하십시오.
- 프린터를 운반할 때는 전원을 끄고 전기 콘센트에서 전원 케이블을 분리하십시오. 모든 케이블을 분리하십시오.

소모품 다루기

- 소모품이 폭발하여 부상을 입힐 수 있으므로 다 쓴 소모품을 소각하지 마십시오. 해당 지역의 관련 법규에 따라 처리하십시오.
- 모든 소모품은 어린이의 손이 닿지 않는 곳에 보관하십시오.
- 이미징 카트리지를 다룰 경우 항상 깨끗하고 부드러운 표면 위에 놓아두십시오.
- 이미징 카트리지를 분해하거나 변형하려 하지 마십시오.
- 토너를 손으로 만지지 마십시오. 토너가 눈에 들어가지 않도록 항상 주의하십시오. 만약 토너가 피부나 옷에 묻으면 즉시 비눗물로 닦으십시오.
- 토너가 옆질러지면 빗자루와 쓰레받기로 쓸어 담거나 비눗물을 적신 천으로 닦으십시오. 미세한 토너 입자 때문에 불길에 닿으면 화재나 폭발의 위험이 있으므로 진공 청소기는 사용하지 마십시오.

- ❑ 이미징 카트리지를 찬 곳에서 더운 곳으로 옮긴 경우, 응축에 의해 손상될 수 있으므로 사용하기 전 적어도 한 시간 정도 기다리십시오.
- ❑ 최상의 인쇄 품질을 유지하려면, 이미징 카트리지를 직사광선이나 먼지, 염분이 있는 바람이나 부식성 가스(암모니아 등)의 영향이 없는 곳에 보관하십시오. 온도나 습기가 부적절하거나 급격하게 변화하는 곳에 두지 마십시오.
- ❑ 이미징 카트리지를 분리할 때 이미징 카트리지를 직사광선에 노출시키지 않도록 하며 실내 조명에도 5분 이상 노출시키지 마십시오. 이미징 카트리지에는 빛에 민감한 드럼이 포함되어 있습니다. 드럼이 빛에 노출되어 손상되면, 인쇄 페이지에 어둡고 밝은 영역이 출력될 수 있고 드럼의 수명이 줄어듭니다. 이미징 카트리지를 프린터에서 꺼내 장기간 보관해야 하는 경우에는 불투명한 천으로 싸서 보관하십시오.
- ❑ 포토컨덕터 장치의 드럼 표면이 긁히지 않도록 주의하십시오. 프린터에서 빼낸 이미징 카트리지는 항상 표면이 깨끗하고 부드러운 곳에 놓아두십시오. 또한 손으로 드럼을 만지지 마십시오. 피부에서 나오는 지방 성분이 묻으면 드럼 표면이 손상되어 인쇄 품질이 저하될 수 있습니다.

안전 정보

레이저 안전 라벨



경고:

프린터 사용설명서에 지정된 것과 다른 작업이나 조정을 수행하면 심각한 전자파 노출을 야기할 수 있습니다. 이 프린터는 IEC60825 사양에 정의된 등급1 레이저 제품입니다. 이 라벨은 레이저 프린터가 수출되는 국가에서 요구하는 경우 프린터 뒤에 부착됩니다.



내부 레이저 전자파

프린터 헤드 장치 내부에 눈에 보이지 않는 레이저 빔을 지닌 Class III b 레이저 다이오드 어셈블리가 있습니다. 프린터의 헤드 장치는 서비스 품목이 아닙니다. 그러므로 프린터 헤드 장치는 어떤 경우에도 열지 마십시오. 프린터 내부에도 레이저 경고 라벨이 추가로 부착되어 있습니다.



오존 안전

오존 배출

오존 가스는 인쇄 과정의 부산물로 레이저 프린터에 의해 생성됩니다. 오존은 프린터가 인쇄 중인 경우에만 발생합니다.

오존 배출 허용치

Epson 레이저 프린터는 연속 인쇄 작업 동안 3mg/h 미만의 오존을 배출합니다.

위험 최소화

오존에 노출될 위험을 최소화하려면 다음과 같은 경우들을 피해야 합니다.

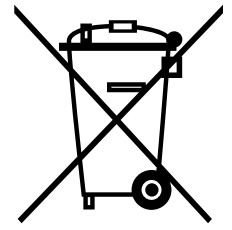
- 협소한 공간에서 여러 대의 레이저 프린터를 사용
- 습도가 매우 낮은 환경에서 작업
- 실내 환기 부족
- 위와 같은 상황에서 인쇄 작업을 장시간 계속

프린터 위치

프린터는 작업 중에 발생하는 가스와 열을 배출할 수 있는 장소에 위치해야 합니다.

- 사용자의 얼굴로 직접 배출되지 않아야 합니다.
- 가능하면 빌딩 외부로 직접 배출해야 합니다.

Battery Addendum



English

The crossed out wheeled bin label that can be found on your product indicates that this product and incorporated batteries should not be disposed of via the normal household waste stream. To prevent possible harm to the environment or human health please separate this product and its batteries from other waste streams to ensure that it can be recycled in an environmentally sound manner. For more details on available collection facilities please contact your local government office or the retailer where you purchased this product. Use of the chemical symbols Pb, Cd or Hg indicates if these metals are used in the battery.

Deutsch

Der Aufkleber mit durchgekrenzter Mülltonne an diesem Produkt weist darauf hin, dass dieses Produkt und darin enthaltene Batterien nicht im normalen Hausmüll entsorgt werden dürfen. Zur Vermeidung einer möglichen Beeinträchtigung der Umwelt oder der menschlichen Gesundheit und um zu gewährleisten, dass es in einer umweltverträglichen Weise recycelt wird, darf dieses Produkt mitsamt den Batterien nicht in den Hausmüll gegeben werden. Informationen zu Entsorgungseinrichtungen erhalten Sie bei der zuständigen Behörde oder dem Händler, bei dem Sie dieses Produkt erworben haben. Die Angabe der chemischen Zeichen Pb, Cd oder Hg bedeutet, dass diese Metalle in der Batterie verwendet werden.

Français

L'étiquette apposée sur ce produit et représentant une poubelle barrée indique que le produit et les piles intégrées ne peuvent être mis au rebut avec les déchets domestiques normaux. Afin d'éviter d'éventuels dommages au niveau de l'environnement ou sur la santé, veuillez séparer ce produit et ses piles des autres déchets de manière à garantir qu'ils soient recyclés de manière sûre au niveau environnemental. Pour plus de détails sur les sites de collecte existants, veuillez contacter l'administration locale ou le détaillant auprès duquel vous avez acheté ce produit. Les symboles chimiques Pb, Cd et Hg sont utilisés pour désigner les métaux présents dans les piles.

Italiano

L'etichetta con il contenitore barrato applicata sull'imballo indica che il prodotto e le batterie incluse non devono essere smaltiti tramite la procedura normale di smaltimento dei rifiuti domestici. Per evitare eventuali danni all'ambiente e alla salute umana, separare questo prodotto e le relative batterie da altri rifiuti domestici in modo che possano essere riciclati in base alle procedure di rispetto dell'ambiente. Per maggiori dettagli sulle strutture di raccolta disponibili, contattare l'ufficio competente del proprio comune o il rivenditore del prodotto. L'uso dei simboli chimici Pb, Cd o Hg indica la presenza di tali metalli nelle batterie.

Español

La etiqueta de un contenedor tachado que hallará en su producto indica que este producto y sus pilas no se pueden tirar con la basura doméstica normal. Para impedir posibles daños medioambientales o para la salud, separe este producto y sus pilas de otros canales de desecho para garantizar que se recicle de una forma segura para el medio ambiente. Para más información sobre las instalaciones de recolección disponibles, diríjase a las autoridades locales o al punto de venta donde adquirió este producto. Los símbolos químicos Pb, Cd o Hg indican que las pilas contienen ese metal.

Português

A etiqueta com o símbolo de um contentor de lixo traçado com uma cruz que aparece no produto indica que este produto e as pilhas incluídas não devem ser deitados fora juntamente com o lixo doméstico. Para evitar possíveis danos no ambiente ou na saúde pública, por favor separe este produto e respectivas pilhas de outros lixos; desta forma, terá a certeza de que podem ser reciclados através de métodos não prejudiciais ao ambiente. Para obter mais informações sobre os locais de recolha de lixo disponíveis, contacte a sua junta de freguesia, câmara municipal ou local onde comprou este produto. A utilização dos símbolos químicos Pb, Cd ou Hg indica se estes metais são utilizados na pilha.

Nederlands

Op uw product is een label van een rolcontainer met een kruis erdoor aangebracht. Dit label wil zeggen dat dit product en de batterijen in het product niet bij het normale huishoudelijk afval mogen worden ingezameld. Om eventuele schade aan het milieu of de gezondheid van de mens te voorkomen moeten dit product en de batterijen gescheiden van al het ander afval worden ingezameld, zodat alles op een verantwoorde wijze kan worden verwerkt. Voor meer informatie over uw lokale afvalinzameling wendt u zich tot uw gemeente of de leverancier bij wie u dit product hebt gekocht. Gebruik van de chemische symbolen Pb, Cd of Hg geeft aan of deze metalen worden gebruikt in de batterij.

Dansk

Etiketten med et kryds over skraldespanden på hjul, der sidder på produktet, angiver, at dette produkt og dets batterier ikke må bortskaffes sammen med almindeligt husholdningsaffald. For at beskytte miljø og helbred skal dette produkt og dets batterier bortskaffes separat, så disse dele kan genbruges på en måde, der er god for miljøet. Kontakt de lokale myndigheder eller den forhandler, hos hvem du har købt produktet, vedrørende steder, hvor du kan aflevere produktet. Brugen af de kemiske symboler Pb, Cd eller Hg angiver, om disse metaller er anvendt i batteriet.

Suomi

Laitte on merkitty jäteastia-symbolilla, jonka yli on vedetty rasti. Tämä tarkoittaa, ettei laitetta tai siihen kuuluvia paristoja saa hävittää normaalin talousjätteen mukana. Älä hävitä laitetta tai sen paristoja normaalin jätteen seassa vaan varmista, että laite kierrätetään ympäristöystävällisellä tavalla, jottei ympäristölle tai ihmisille aiheudu vahinkoa. Lisätietoja kierrätyksestä ja keräyspisteistä saa ottamalla yhteyttä paikallisiin viranomaisiin tai jälleenmyyjään, jolta laite ostettiin. Kemiallisten merkien Pb (lyijy), Cd (kadmium) tai Hg (elohopea) käyttö ilmaisee, että paristo sisältää kyseistä metallia.

Svenska

Symbolen med en överkorsad soptunna innebär att denna produkt och tillhörande batterier inte får kastas i vanligt hushållsavfall. För att skydda miljön ska denna produkt och dess batterier inte kastas tillsammans med vanligt hushållsavfall utan lämnas för återvinning på tillbörligt sätt. För mer information om uppsamlingsplatser kontakta din lokala myndighet eller den återförsäljare där du har köpt produkten. De kemiska symbolerna Pb, Cd eller Hg visar om dessa metaller används i batteriet.

Norsk

Etiketten på hjulbeholderen på produktet ditt antyder at produktet og batteriene som hører med, ikke skal avhendes sammen med vanlig husholdningsavfall. Hold produktet og batteriene atskilt fra annet avfall, slik at det kan resirkuleres på en miljømessig og forsvarlig måte og dermed forhindre eventuell skade på miljø eller helse. Kontakt lokale myndigheter, eller din forhandler, for mer informasjon angående avhenting av produktet. De kjemiske symbolene Pb, Cd og Hg antyder om disse metallene har blitt brukt i batteriet.

Česky

Štítek s přeškrtnutým odpadkovým košem na kolečkách, který lze nalézt na výrobku, označuje, že se tento výrobek a přiložené baterie nemají likvidovat s běžným domovním odpadem. V zájmu ochrany životního prostředí a lidského zdraví zlikvidujte tento výrobek a jeho baterie jako tříděný odpad, který se recykluje způsobem šetrným k životnímu prostředí. Podrobnější informace o sběrných dvorech pro tříděný odpad získáte na obecním úřadě nebo u prodejce, u kterého jste tento výrobek zakoupili. Použité chemické značky Pb, Cd nebo Hg označují, zda baterie obsahuje tyto kovy.

Magyar

A termékén található, áthúzott szemetest ábrázoló címke azt jelzi, hogy ezt a terméket és a hozzá tartozó elemeket nem szabad a rendes háztartási szeméttel együtt kidobni. Az esetleges környezeti- vagy egészségkárosodást megelőzendő, kérjük, hogy ezt a terméket és az elemeket a többi szeméttől elkülönítve helyezze el, és biztosítsa, hogy azt környezetbarát módon újrahasznosítsák. A rendelkezésére álló begyűjtő létesítményekről kérjük tájékozódjon a megfelelő helyi állami szerveknél vagy a viszonteladónál, ahol a terméket vásárolta. A Pb, Cd vagy Hg vegyjelek jelzik, ha ilyen fémeket is felhasználtak az elem gyártása során.

Polski

Symbol przekreślonego kosza znajdujący się na produkcie oznacza, że nie można produktu oraz wewnętrzznego akumulatora utylizować razem z normalnymi odpadami z gospodarstwa domowego. Aby zapobiec potencjalnemu zagrożeniu dla środowiska lub zdrowia ludzkiego, produkt oraz wewnętrzny akumulator należy odseparować od reszty odpadów z gospodarstwa domowego i utylizować w ekologicznie właściwy sposób. Szczegółowe informacje na temat punktów zbiórki odpadów można uzyskać w lokalnych urzędach lub u sprzedawcy danego produktu. Symbole chemiczne Pb, Cd lub Hg oznaczają, że metale te zostały zastosowane w akumulatorze.

Slovensky

Štítok s preškrtnutým odpadkovým košom na kolieskach, ktorý je možné nájsť na výrobku, označuje, že tento produkt a obsiahnuté batérie sa nemajú likvidovať s bežným komunálnym odpadom. V záujme ochrany životného prostredia a ľudského zdravia zlikvidujte tento výrobok a batérie ako triedený odpad, ktorý sa recykluje spôsobom šetrným k životnému prostrediu. Podrobnejšie informácie o zberných dvoroch pre triedený odpad získate na obecnom úrade alebo u predajcu, u ktorého ste príslušný výrobok zakúpili. Použitie chemických značiek Pb, Cd alebo Hg znamená, že tieto kovy sú použité v batériách.

Slovenski

Prečrtan koš za smeti na etiketi, katero lahko najdete na vašem izdelku, pomeni, da niti tega izdelka niti njegovih baterij ne smete odvreči podobno kot vse ostale smeti. Da bi preprečili morebitne škodljive vplive na okolje ali zdravje, ločite izdelek in njegove baterije od vseh ostalih odpadkov in poskrbite, da bodo reciklirani na okolju prijazen način. Natančne informacije o tem, kje se nahajajo primerna odlagališča, pridobite v vašem krajevnem uradu ali pri prodajalcu. Kemijski simboli Pb, Cd in Hg označujejo, katere kovine vsebuje baterija.

Eesti

Teie tootele kleebitud tähis, mis kujutab ratastega prügikonteinerit, millele on rist peale tõmmatud, keelab toote ja sellega kaasasolevate patareide kõrvaldamise majapidamisjäätmetega sarnasel viisil. Keskkonnale või inimeste tervisele tekitava võimaliku kahju vältimiseks eraldage toode ja selle patareid teistest jäätmetest, et tagada nende korduvkasutamise keskkonnasäästlikul viisil. Kui soovite saada rohkem teavet võimalike kogumispunktide kohta, võtke ühendust kohaliku omavalituse ametnikuga või teile toote müünud jaemüüjaga. Keemiliste sümbolite Pb, Cd või Hg kasutamine näitab, kas tootes on vastavaid metalle kasutatud.

Lietuviškai

Užbraukta ratuota šiukšliadėžės etiketė, kurią rasite ant jūsų produkto, reiškia, kad šis produktas ir pridedamos baterijos neturėtų būti išmestas kartu su įprastinėmis buitinėmis šiukšlėmis. Siekiant išvengti galiamos žalos aplinkai bei žmonių sveikatai, prašome atskirti šį produktą ir pridedamas baterijas nuo kitų atliekų, ir įsitikinti, kad jis būtų perdirbtas aplinkai nepavojing būdu. Jei reikia išsamesnės informacijos apie atliekų surinkimo ypatumus, prašome kreiptis į savo vietos valdžios įstaigas arba į mažmeninį pardavėją, iš kurio jūs įsigijote šį produktą. Atitinkamų metalų naudojimas baterijose yra pažymėtas cheminiais simboliais Pb, Cd arba Hg ant baterijų.

Latviski

Marķējums ar pārsvītrotu atkritumu tvertni uz ritenīšiem, kas redzams uz izstrādājuma, norāda, ka šo izstrādājumu un tajā iekļautās baterijas nedrīkst likvidēt kopā ar parastajiem sadzīves atkritumiem. Lai novērstu iespējamo kaitējumu videi vai cilvēku veselībai, lūdzu, atdaliet šo izstrādājumu un tā baterijas no citiem atkritumiem, tādējādi nodrošinot tā otrreizējo pārstrādi videi drošā veidā. Papildinformācijai par pieejamajām atkritumu savākšanas iespējām, lūdzu, sazinieties ar vietējo pašvaldību vai mazumtirgotāju, no kura jūs iegādājāties šo izstrādājumu. Ķīmisko simbolu Pb, Cd un Hg izmantošana uz marķējuma nozīmē, ka šie metāli ir izmantoti baterijā.

Ελληνικά

Η διαγραμμένη ετικέτα του τροχοφόρου κάδου απορριμμάτων που θα βρείτε πάνω στο προϊόν σας υποδεικνύει ότι αυτό το προϊόν και οι ενσωματωμένες μπαταρίες δεν πρέπει να απορρίπτεται μέσω του κανονικού δικτύου αποκομιδής οικιακών απορριμμάτων. Για να αποτρέψετε πιθανές επιπτώσεις στο περιβάλλον ή την ατομική υγεία, παρακαλούμε να διαχωρίσετε αυτό το προϊόν και τις μπαταρίες του από άλλα δίκτυα αποκομιδής ώστε να διασφαλίσετε ότι είναι δυνατή η ανακύκλωσή του με έναν περιβαλλοντικά θεμιτό τρόπο. Για περισσότερες πληροφορίες σχετικά με τις διαθέσιμες δυνατότητες συλλογής απορριμμάτων, παρακαλούμε να επικοινωνήσετε με την τοπική κυβερνητική αρχή ή το κατάστημα λιανικής από όπου αγοράσατε αυτό το προϊόν. Η χρήση των χημικών συμβόλων Pb, Cd ή Hg υποδεικνύει εάν χρησιμοποιούνται τα μέταλλα αυτά στην μπαταρία.

Türkçe

Ürününüzün üzerinde bulunan çarpi işaretli tekerlekli kutu etiketi, bu ürünün ve beraberinde gelen pillerin normal ev atık sistemi vasıtasıyla elden çıkarılmaması gerektiğini gösterir. Çevreye ve insan sağlığına zarar vermeyei önlemek için, lütfen bu ürünü ve pillerini çevreye zarar vermeyecek şekilde geri dönüşüme tabi tutulmak üzere diğer atıklardan ayırın. Mevcut toplama tesisleri ile ilgili ayrıntılı bilgi edinmek için, yerel devlet makamlarıyla veya bu ürünü satın aldığınız satıcıyla irtibata geçin. Pb, Cd veya Hg kimyasal sembollerinin kullanılması, bu metallerin pillerin üretiminde kullanılıp kullanılmadığını ifade eder.

Română

Eticheta arătând un coș de gunoi tăiat cu două linii încrucișate, care poate fi găsită pe produs, indică faptul că acesta și bateriile încorporate nu trebuie aruncate la gunoi laolaltă cu gunoiul menajer. Pentru a evita posibila degradare a mediului înconjurător sau a sănătății umane, colectați separat acest produs și bateriile încorporate și nu împuneți cu gunoiul menajer pentru a vă asigura că acestea pot fi reciclate într-un mod ecologic. Pentru mai multe detalii privind punctele disponibile de colectare, contactați autoritățile locale sau comerciantul de la care ați achiziționat acest produs. Utilizarea simbolurilor unor substanțe chimice precum Pb, Cd sau Hg indică faptul că aceste metale sunt utilizate în baterie.

Български

Етикетът, представляващ зачертано кошче за боклук в кръг, който можете да видите върху вашия продукт, означава, че този продукт и батериите към него не трябва да се изхвърлят заедно с обикновените домакински отпадъци. За предпазване от евентуални щети върху околната среда или човешкото здраве, моля, отделете този продукт и батериите му от останалите отпадъци, за да се гарантира, че той ще бъде рециклиран по екологично съобразен начин. За повече информация относно наличните места за събиране на отпадъци, моля, свържете се с местните власти или търговеца, от когото сте закупили този продукт. Химическите символи Pb, Cd и Hg подсочват дали съответните метали са използвани в батерията.

This information only applies to customers in the European Union, according to DIRECTIVE 2006/66/EC OF THE EUROPEAN PARLIAMENT AND OF THE COUNCIL OF 6 September 2006 on batteries and accumulators and waste batteries and accumulators and repealing Directive 91/157/EEC and legislation transposing and implementing it into the various national legal systems.

For other countries, please contact your local government to investigate the possibility of recycling your product.