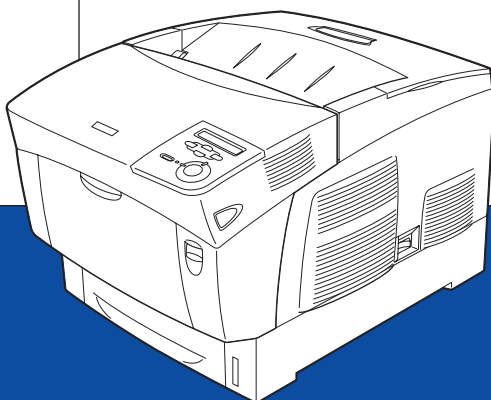


EPSON

Color Laser Printer



EPSON AcuLaser™ C3000 Series

Setup Guide

4049265-00
XXX

Color Laser Printer

EPSON AcuLaser™ C3000 Series

Setup Guide

1. Finding a Place	1
2. Removing the Protective Materials	1
3. Installing Consumables	2
4. Plugging in the Printer	7
5. Loading Paper	8
6. Testing the Printer	9
7. Connecting the Printer to a Computer	12
8. Installing the Printer Software	13
<i>Options</i>	18
<i>Getting More Information</i>	18
<i>Safety Instructions</i>	20

All rights reserved. No part of this publication may be reproduced, stored in a retrieval system, or transmitted in any form or by any means, mechanical, photocopying, recording, or otherwise, without the prior written permission of Seiko Epson Corporation. No patent liability is assumed with respect to the use of the information contained herein. Neither is any liability assumed for damages resulting from the use of the information contained herein.

Neither Seiko Epson Corporation nor its affiliates shall be liable to the purchaser of this product or third parties for damages, losses, costs, or expenses incurred by purchaser or third parties as a result of: accident, misuse, or abuse of this product or unauthorized modifications, repairs, or alterations to this product, or (excluding the U.S.) failure to strictly comply with Seiko Epson Corporation's operating and maintenance instructions.

Seiko Epson Corporation and its affiliates shall not be liable against any damages or problems arising from the use of any options or any consumable products other than those designated as Original Epson Products or Epson Approved Products by Seiko Epson Corporation.

Microsoft and Windows are registered trademarks of Microsoft Corporation in the United States and/or other countries.

Apple and Macintosh are registered trademarks of Apple Computer, Inc.

General Notice: Other product names used herein are for identification purposes only and may be trademarks of their respective owners. Epson disclaims any and all rights in those marks.

Copyright © 2004 by Seiko Epson Corporation, Nagano, Japan.

Warnings, Cautions, and Notes



Warnings:

must be followed carefully to avoid bodily injury.



Cautions:

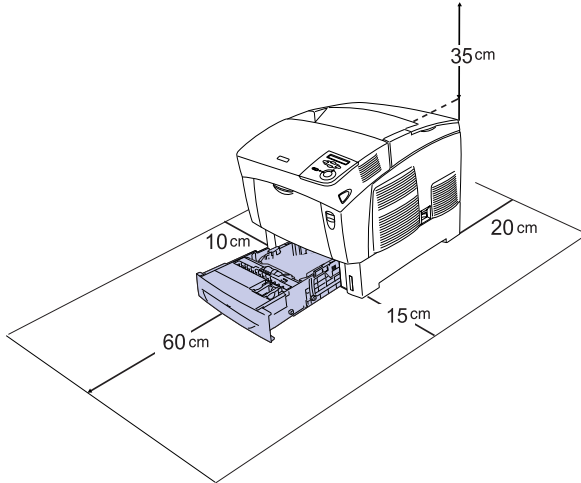
must be observed to avoid damage to your equipment.

Notes:

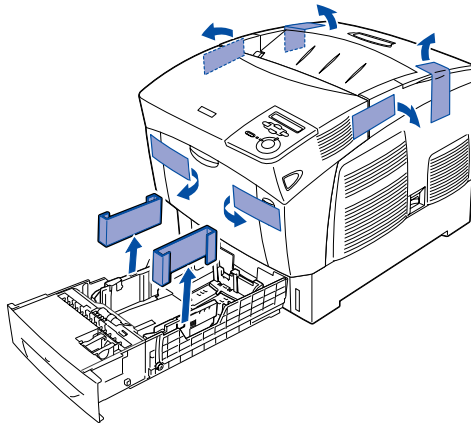
contain important information and useful tips on the operation of your printer.

1 Finding a Place

The illustration shows the recommended amount of space. For information and cautions, see Safety Instructions.



2 Removing the Protective Materials

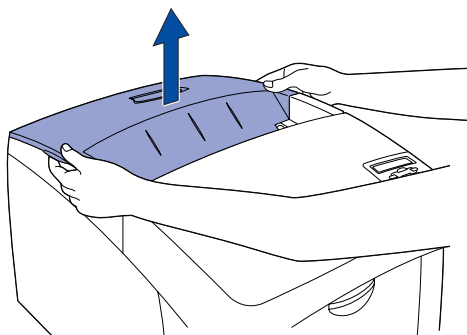


3 Installing Consumables

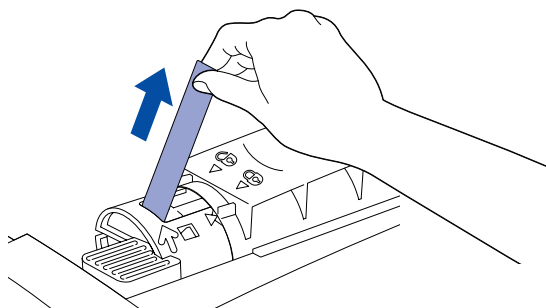
For specifications and handling precautions, see the *Reference Guide*.

Installing the Toner Cartridges

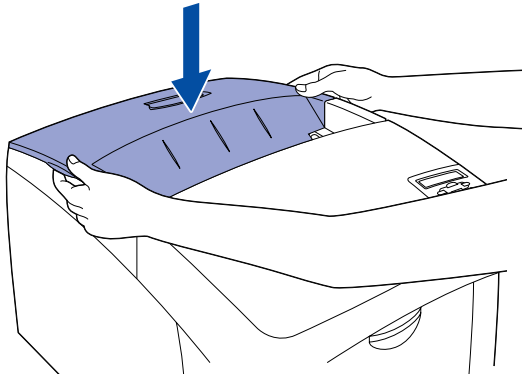
1. Remove the top cover.



2. Remove the protective tapes, pulling straight up from the four toner cartridges.

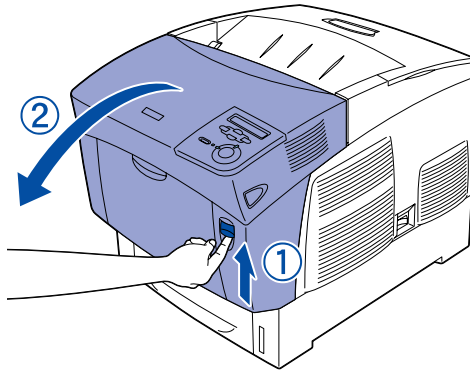


3. Replace the top cover.

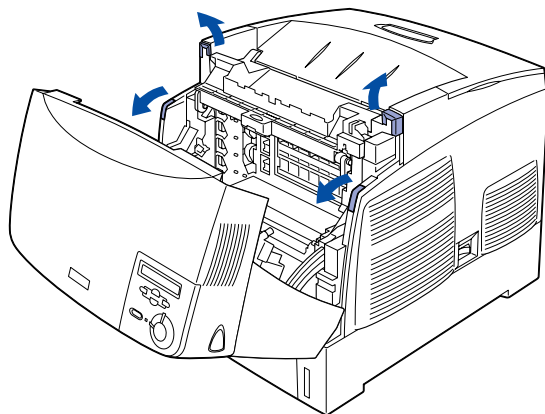


Installing the Photoconductor Unit

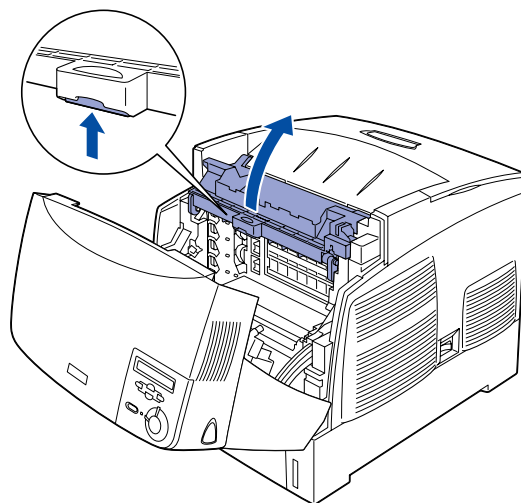
1. Press the latch on cover A and open the cover.



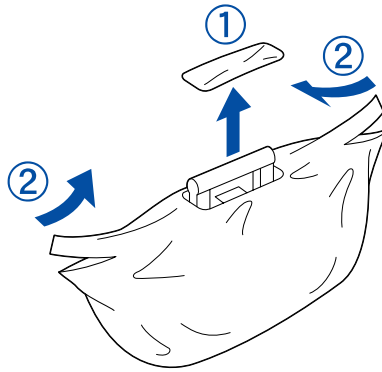
2. Remove the protective tapes



3. Raise cover D.



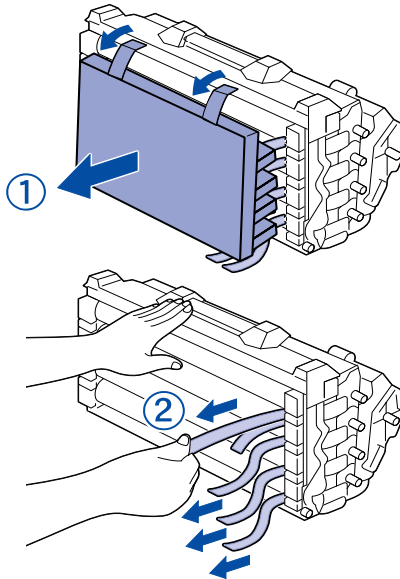
4. Take the new photoconductor unit.



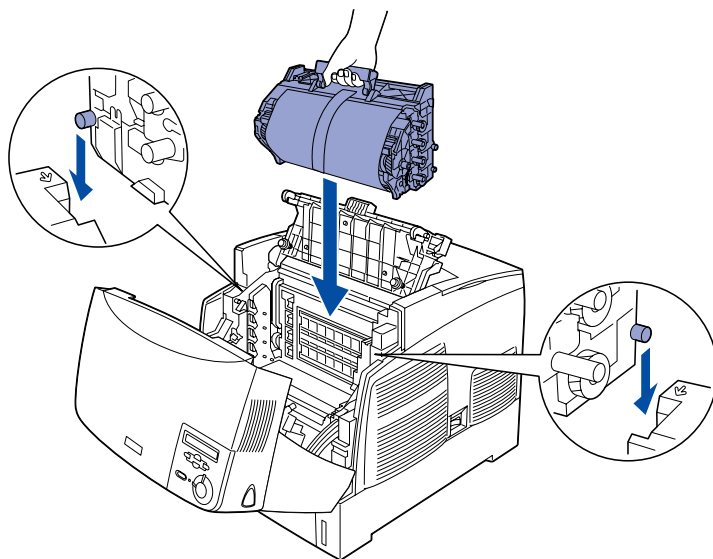
Caution:

Be careful not to scratch the surface of the drum. Also, avoid touching the drum, since oil from your skin may permanently damage its surface and affect print quality.

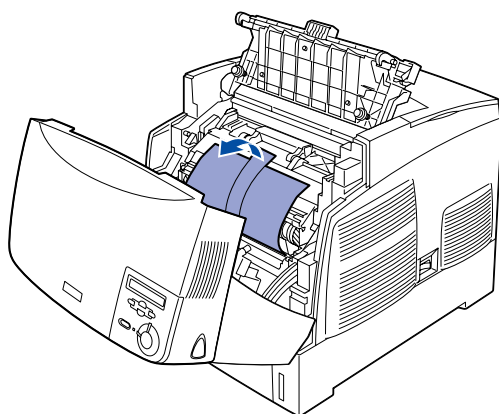
5. Remove the protective material and tapes.



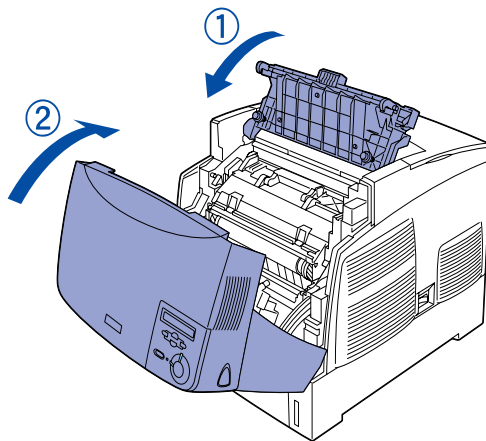
6. Insert the photoconductor unit firmly.



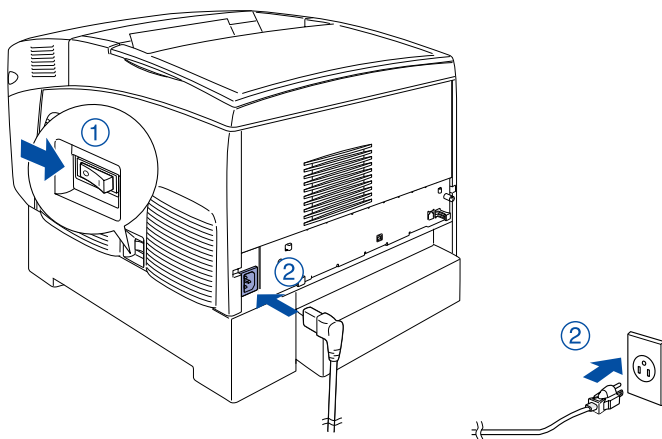
7. Remove the protective sheet.



8. Close covers D and A.

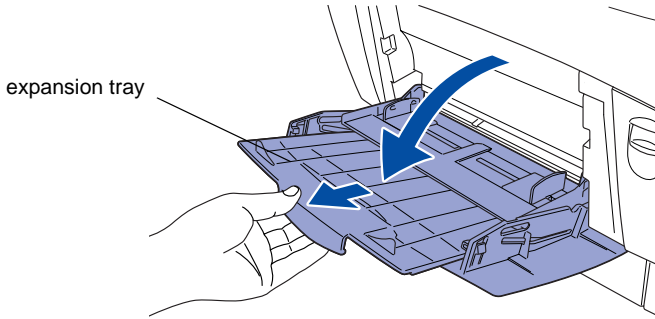


4 Plugging in the Printer

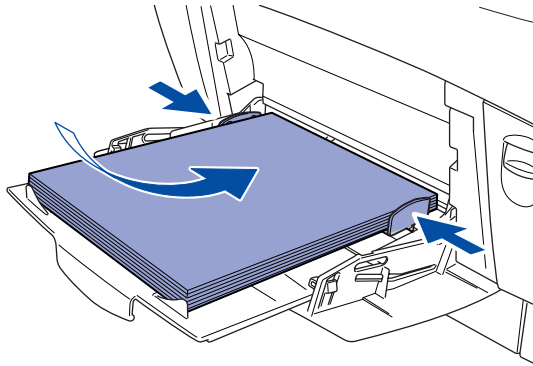


5 Loading Paper

1. Open the MP tray, and pull out the expansion tray.



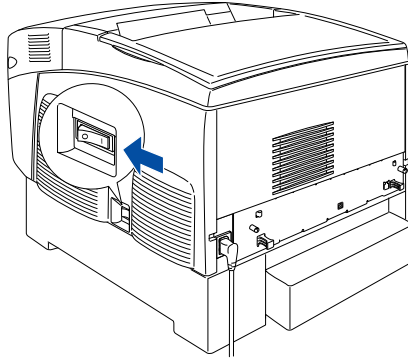
2. Set A4 or Letter paper into the tray with the printable side facing down.




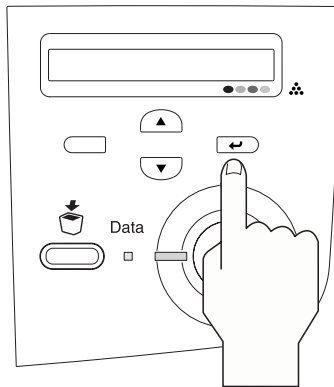
6 Testing the Printer

Printing a Status Sheet

1. Make sure the printer is turned on.



2. Make sure the LCD panel shows *Ready*. Press the  Enter button three times. The printer starts printing a status sheet.

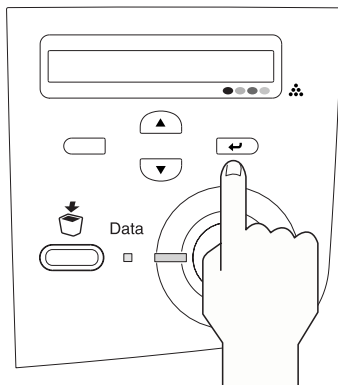


Note:

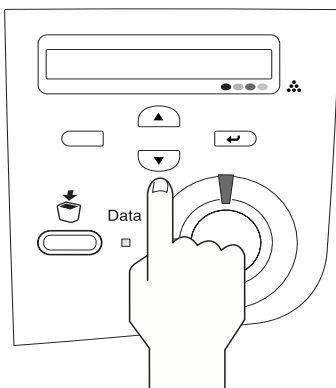
If you are unable to get the printer to print correct status sheet, contact your dealer.

Checking Color Registration

1. Make sure the LCD panel displays **Ready** or **Sleep**, then press the  Enter button.



2. Press the  Down button several times to display **Color Resist Sheet**.

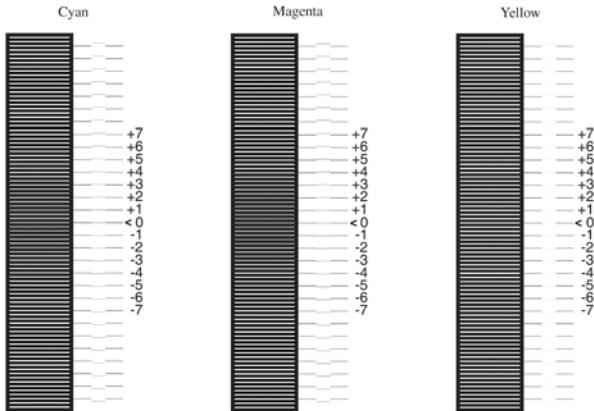


3. Press the  Enter button. The printer prints a color registration sheet.

4. Check the alignment of the lines at the zero position for each color.

Color Registration Sheet

If the colour segment at line "< 0" is not perfectly aligned,
find the value of the correctly aligned line and enter this value
in the control panel, as described in the printer's documentation



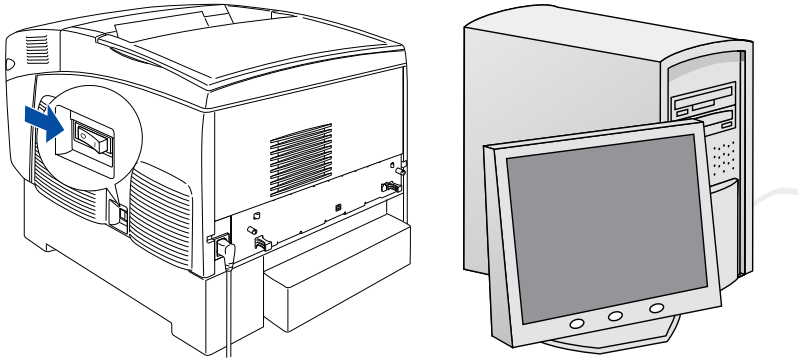
Note:

If the color segment of the line is in alignment with the black segments on either side to make one straight line, you do not need to adjust the registration for that color. If the line segments are not aligned, adjust the registration as see "Adjusting color registration alignment" under Transporting the Printer in the Reference Guide.

7

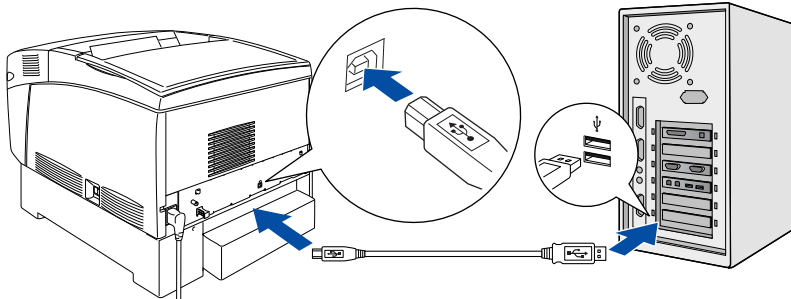
Connecting the Printer to a Computer

Make sure that both the printer and the computer are off.



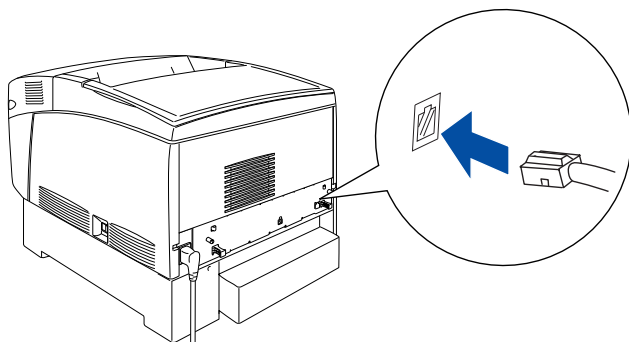
USB Interface

Attach the USB interface cable to the printer. Plug the other end of the cable into the computer's USB interface connector.



Network Interface

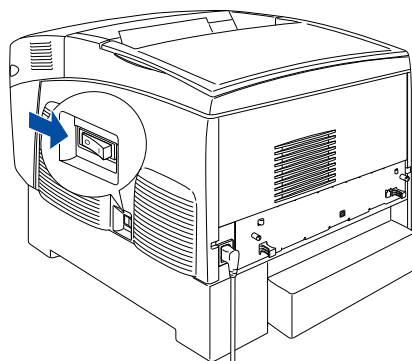
Attach the network interface cable to the printer. Plug the other end of the cable into the network hub.



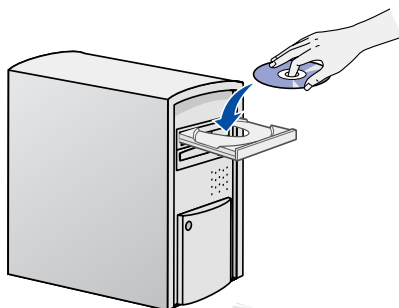
8 Installing the Printer Software

For Windows users

1. Make sure the printer is turned off.



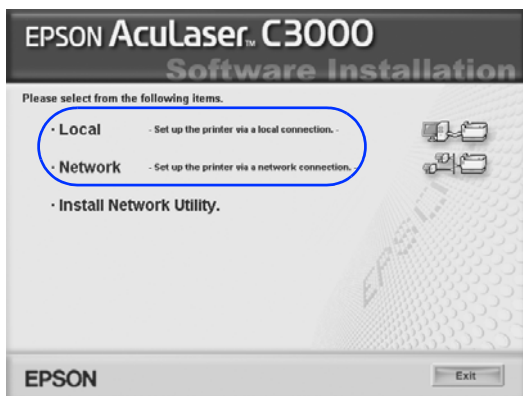
2. Insert the printer software CD-ROM in the CD drive.



3. Click **Continue**.

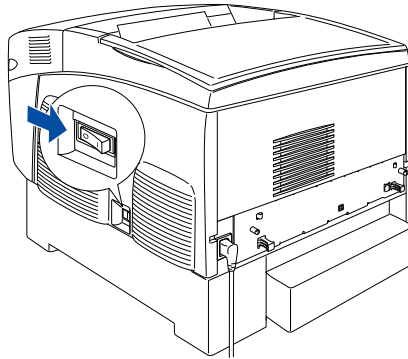


4. When the software license agreement screen appears, read the statement and then click **Agree**.
5. In the dialog box that appears, click **Local** or **Network**. Then follow the on-screen instructions.

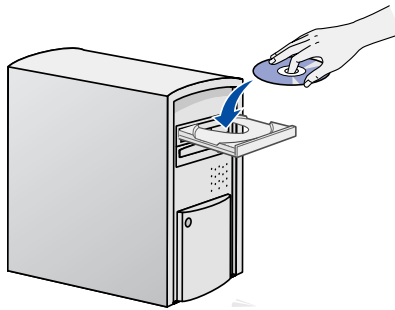


For Macintosh users

1. Make sure the printer is turned off.



2. Insert the printer software CD-ROM in the CD drive.



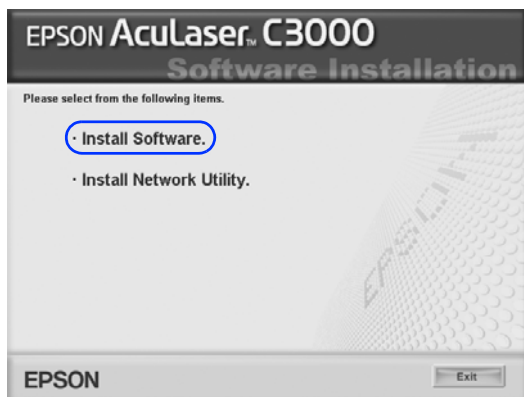
3. For Mac OS 9.x users, double-click the **Mac OS 9** icon. For Mac OS X users, double-click the **EPSON** icon, then double-click the **Mac OS X** icon.



4. Click **Continue**.



5. When the software license agreement screen appears, read the statement and then click **Agree**.
6. In the dialog box that appears, click **Install Software**.

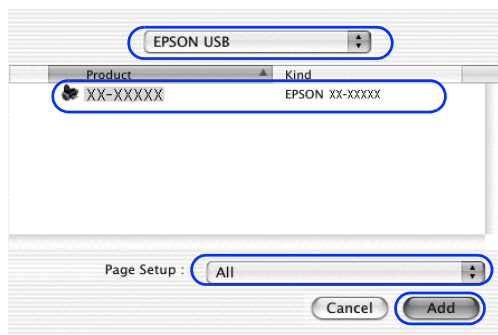


7. Click **Install** and follow the on-screen instructions.

For Mac OS X 10.1.2 or later

1. After installing the software and restarting the computer, press the power button to turn on the printer.
2. Open the **Applications** folder on your hard drive, then open the **Utilities** folder and double-click the **Print Center** or **Printer Setup Utility** icon. Click **Add Printer** in the Printer List dialog box.

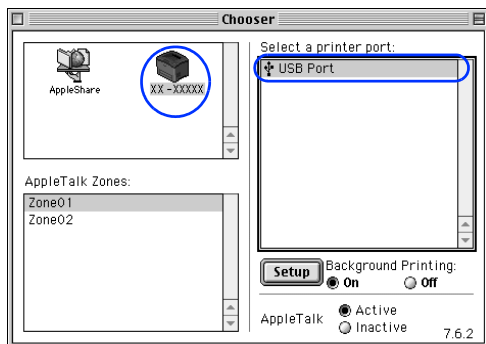
3. Select **EPSON USB** from the pop-up menu. Select **EPSON AcuLaser C3000** in the Product list, then select **All** from the Page Setup pop-up menu. Click **Add**.



4. Close **Print Center** or **Printer Setup Utility**.

For Mac OS 9.1 or later

1. After installing the software and restarting the computer, press the power button to turn on the printer.
2. Open **Chooser** from the Apple menu. Select **AL-C3000** and your USB port, and then close **Chooser**.



Options

The printer provides you with a variety of options. For specifications, handling precautions, or installing, see the *Reference Guide* or the instructions that come with the packages.

Getting More Information

Online guides

The CD-ROM shipped with your printer includes the following online guides as well as the printer driver.

Reference Guide

Provides you with detailed information on the printer's functions, optional products, maintenance, troubleshooting, and technical specifications. A *Reference Guide* icon is created on the desktop when the printer software is installed.

Network Guide

Provides network administrators with information on both the printer driver and network settings.

Paper Jam Guide (PDF guide)

Provides you with solutions for paper jam problems that you may need to refer to on a regular basis. We recommend printing this guide and keeping it near the printer.

Online Help for printer software

Click Help for detailed information and instructions on the printer software that controls your printer. Online help is automatically installed when you install the printer software.

Installing the Network Guide

1. Insert the printer software CD-ROM in the CD drive.

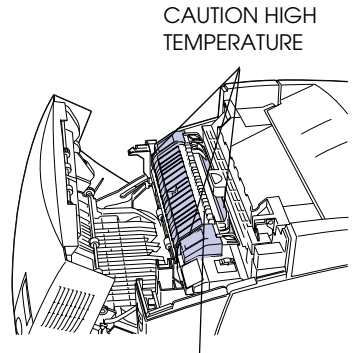
For Mac OS 9.x users, double-click the **Mac OS 9** icon. For Mac OS X users, double-click the **EPSON** icon, then double-click the **Mac OS X** icon.
2. Click **Continue**.
3. When the software license agreement screen appears, read the statement and then click **Agree**.
4. In the dialog box that appears, click **Install Network Utility**.
5. Select **Network Guide**. Then follow the on-screen instructions.

Safety Instructions

Laser Printer Precautions

This printer uses laser technology. Follow the precautions below to ensure safe, efficient operation.

- ❑ Be careful not to touch the fuser, which is marked CAUTION HIGH TEMPERATURE, or the surrounding areas. If the printer has been in use, these areas may be very hot.
- ❑ Do not attempt to modify or take the imaging cartridge apart. It cannot be refilled.
- ❑ Do not touch the toner and avoid all toner contact with your eyes.
- ❑ If toner is spilled, use a broom and dustpan or a damp cloth with soap and water to clean it up. Because the fine particles can cause a fire or explosion if they come into contact with a spark, do not use a vacuum cleaner.
- ❑ Do not dispose of used toner cartridges, photoconductor unit, fuser unit, or transfer unit in fire, as they can explode and cause injury. Dispose of them according to local regulations.



Do not insert your hand deep into the fuser unit

Important Safety Instructions

Read all of the following instructions before operating your printer:

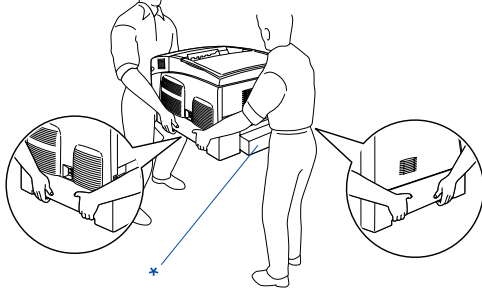
When choosing a place and power source for the printer

- ❑ Place the printer where you can easily unplug the power cord.
- ❑ Keep the entire computer and printer system away from potential sources of interference, such as loudspeakers or the base units of cordless telephones.
- ❑ Do not place the printer on an unstable surface.

- ❑ Do not put your printer where the cord will be stepped on.
- ❑ Slots and openings in the cabinet and the back or bottom are provided for ventilation. Do not block or cover them. Do not put the printer on a bed, sofa, rug, or other similar surface or in a built-in installation unless proper ventilation is provided.
- ❑ Avoid using outlets that other appliances are plugged into.
- ❑ Use the type of power source indicated on the label. If you are not sure of the type of power available, consult your dealer or local power company.
- ❑ If you are unable to insert the plug into the outlet, contact a qualified electrician.
- ❑ When connecting this product to a computer or other device with a cable, ensure the correct orientation of the connectors. Each connector has only one correct orientation. Inserting a connector in the wrong orientation may damage both devices connected by the cable.
- ❑ If you use an extension cord, make sure that the total of the ampere ratings on the products plugged into the extension cord does not exceed the extension cord ampere rating.
- ❑ Unplug this printer from the wall outlet and refer servicing to a qualified service representative under the following conditions:
 - A. When the power cord or plug is damaged or frayed.
 - B. If liquid has been spilled into it.
 - C. If it has been exposed to rain or water.
 - D. If it does not operate normally when the operating instructions are followed. Adjust only those controls that are covered by the operating instructions since improper adjustment of other controls may result in damage and will often require extensive work by a qualified technician to restore the product to normal operation.
 - E. If it has been dropped or the cabinet has been damaged.
 - F. If it exhibits a distinct change in performance, indicating a need for service.

When using the printer

- ❑ The printer weighs about 36.0 kg (79 lb) with consumable products installed. One person should not attempt to lift or carry the printer. Two people should carry it.



* Do not lift the printer by these areas.

- ❑ Follow all warnings and instructions marked on the printer.
- ❑ Unplug this printer from the wall outlet before cleaning.
- ❑ Use a well-wrung cloth for cleaning and do not use liquid or aerosol cleaners.
- ❑ Avoid touching the components inside the printer unless instructed to do so in the printer's documentation.
- ❑ Never force printer components into place. Although the printer is designed to be sturdy, rough handling can damage it.
- ❑ Be sure to keep consumables out of the reach of children.
- ❑ Do not use the printer in a damp environment.
- ❑ Do not leave jammed paper inside of the printer. This can cause the printer to overheat.
- ❑ Never push objects of any kind through cabinet slots as they may touch dangerous voltage points or short out parts that could result in a risk of fire or electric shock.
- ❑ Never spill liquid of any kind on the printer.
- ❑ Except as specifically explained in the printer's documentation, do not attempt to service this product yourself. Opening or removing those covers that are marked **Do Not Remove** may expose you to dangerous voltage points or other risks. Refer all servicing in those compartments to a qualified service representative.

- ❑ Adjust only those controls that are covered by the operating instructions. Improper adjustment of other controls may result in damage and may require repairs by a qualified service representative.
- ❑ If you plan to use the printer in Germany, observe the following:
- ❑ To provide adequate short-circuit protection and over-current protection for this printer, the building installation must be protected by 10 or 16 ampere circuit breaker.

Safety Information

Power cord



Caution:

Be sure the AC power cord meets the relevant local safety standards.

Use only the power cord that comes with this product. Use of the another cord may result in fire or electric shock.

This product's power cord is for use with this product only. Use with other equipment may result in fire or electric shock.

Laser safety labels



Warning:

The performance of procedures and adjustments other than those specified in the printer's documentation may result in hazardous radiation exposure.

Your printer is a Class 1 laser product as defined in the IEC60825 specifications. The label shown is attached to the back of the printer in countries where required.



Internal laser radiation

Max. Average Radiation Power:	10 mW (for 1 Beam)
Wavelength:	775 to 799 nm

This is a Class III b Laser Diode Assembly that has an invisible laser beam. The printer head unit is NOT A SERVICE ITEM, therefore, the printer head unit should not be opened under any circumstances. An additional laser warning label is affixed to the inside of the printer.

CDRH regulations

For information about the Center for Devices and Radiological Health of the U.S. Food and Drug Administration, see the *Reference Guide*.

Ozone safety

Ozone emission

Ozone gas is generated by laser printers as a by-product of the printing process. Ozone is produced only when the printer is printing.

Ozone exposure limit

The recommended exposure limit for ozone is 0.1 parts per million (ppm) expressed as an average time-weighted concentration over an eight (8) hour period.

The EPSON laser printer generates less than 0.1 ppm for eight (8) hours of continuous printing.

Minimize the risk

To minimize the risk of exposure to ozone, you should avoid the following conditions:

- Use of multiple laser printers in a confined area
- Operation in conditions of extremely low humidity
- Poor room ventilation
- Long, continuous printing together with any of the above

Printer location

The printer should be located so that the exhaust gases and heat generated are:

- Not blown directly into the user's face
- Vented directly out of the building whenever possible

EPSON

Color Laser Printer

EPSON AcuLaser™ C3000 Series

Setup Guide