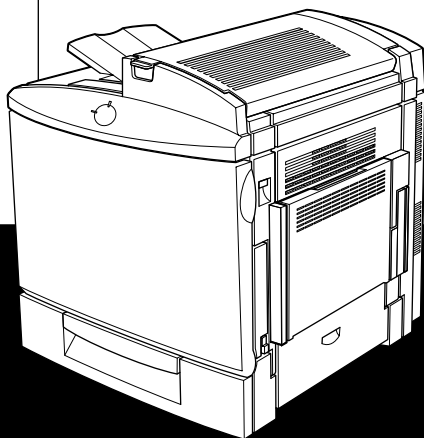


EPSON

Color Laser Printer



EPSON AcuLaser[™] C1000

Setup Guide

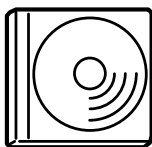
4014571-00
F04

Where to Find Information

Setup Guide (this manual)

Contains information on how to place the printer, assembling the printer's parts and installing the printer's driver.

User Guides



The CD-ROM shipped with your printer includes the following online guides as well as the printer driver.

Note:

Microsoft® Internet Explorer 4.0 or later, or Netscape Navigator 4.0 or later, must be installed in your computer to read the Reference Guide. Adobe® Acrobat Reader 4.0 or later must be installed in your computer to read the Quick Reference.

Reference Guide (HTML)

- How to use the printer
- How to solve problems
- How to keep your printer in good condition
- Safety information and technical specifications

Quick Reference (PDF)

Contains information about the error lights and solutions for paper jam problems. Print this manual and place the printouts near the printer for troubleshooting.

Color Laser Printer

EPSON AcuLaser™ C1000

Setup Guide

<i>Safety Instructions</i>	1
1 <i>Removing the Protective Materials.</i>	8
2 <i>Finding a Place for the Printer</i>	10
3 <i>Assembling the Printer</i>	12
4 <i>Installing the Options</i>	16
5 <i>Connecting the Printer</i>	22
6 <i>Installing the Printer Software and Testing the Printer</i>	25
7 <i>Printing Quick Reference Guide</i>	34



Printed on Recycled Paper.

All rights reserved. No part of this publication may be reproduced, stored in a retrieval system, or transmitted in any form or by any means, mechanical, photocopying, recording, or otherwise, without the prior written permission of SEIKO EPSON CORPORATION. No patent liability is assumed with respect to the use of the information contained herein. Neither is any liability assumed for damages resulting from the use of the information contained herein.

Neither SEIKO EPSON CORPORATION nor its affiliates shall be liable to the purchaser of this product or third parties for damages, losses, costs, or expenses incurred by purchaser or third parties as a result of: accident, misuse, or abuse of this product or unauthorized modifications, repairs, or alterations to this product, or (excluding the U.S.) failure to strictly comply with SEIKO EPSON CORPORATION's operating and maintenance instructions.

SEIKO EPSON CORPORATION and its affiliates shall not be liable against any damages or problems arising from the use of any options or any consumable products other than those designated as Original EPSON Products or EPSON Approved Products by SEIKO EPSON CORPORATION.

EPSON is a registered trademark and EPSON AcuLaser is a trademark of SEIKO EPSON CORPORATION.

Microsoft and Windows are trademarks of Microsoft Corporation in the United States and/or other countries.

Adobe and Acrobat are trademarks of Adobe Systems Incorporated, which may be registered in certain jurisdictions.

Apple and Macintosh are registered trademarks of Apple Computer, Inc.

General Notice: Other product names used herein are for identification purposes only and may be trademarks of their respective owners. EPSON disclaims any and all rights in those marks.

Copyright © 2001 by SEIKO EPSON CORPORATION, Nagano, Japan.

Warnings, Cautions, and Notes



Warnings must be followed carefully to avoid bodily injury.



Cautions must be observed to avoid damage to your equipment.

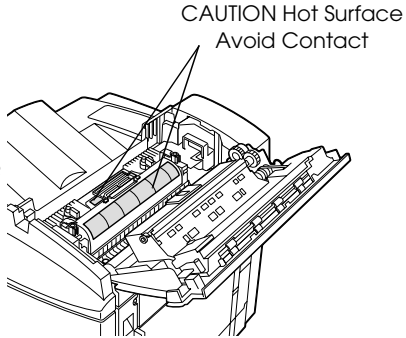
Notes contain important information and useful tips on the operation of your printer.

Safety Instructions

Laser Printer Precautions

This printer uses laser technology. Follow the precautions below carefully to ensure safe, efficient operation.

- ❑ Be careful not to touch the fuser, which is marked CAUTION Hot Surface Avoid Contact, or the surrounding areas. If the printer has been in use, these areas may be very hot.
- ❑ Do not attempt to modify or take the developer cartridge apart. It cannot be refilled.
- ❑ Do not touch the toner and avoid all toner contact with your eyes.
- ❑ Do not dispose of used developer cartridges, photoconductor units, fuser oil rolls, or waste toner collectors in fire, as they can explode and cause injury. Dispose of them according to local regulations.



Hinweis:

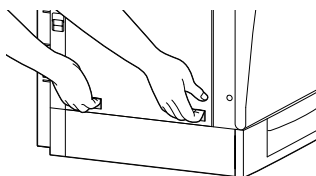
Die Geräteanschlußleitung muß den einschlägigen Normen genügen. Es muß eine dreiadrige Leitung verwendet werden. Die Anschlußleitung darf nicht leichter als H05VV-F oder H05VVH2-F sein.

Maschinenlarminformations-Verordnung-3. GSGV, 18. 01. 1991: Der arbeitsplatzbezogene schalldruckpegel beträgt 70 dB (A) oder weniger gemas ISO 7779.

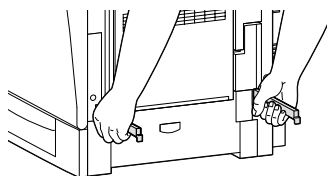
Important Safety Instructions

Read all of the following instructions before operating your printer:

- The printer weighs about 45.0 kg (99 lb). Always have two or more people lift the printer using the correct lifting positions.



left



right

- Follow all warnings and instructions marked on the printer.
- Unplug the printer from the electrical outlet before cleaning. Use a damp cloth for cleaning and do not use liquid or aerosol cleaners.
- Avoid touching the components inside the printer unless instructed to do so in this guide.
- Never force printer components into place. Although the printer is designed to be sturdy, rough handling can damage it.
- Be sure to keep consumables out of the reach of children.
- Do not leave jammed paper inside of the printer. This can cause the printer to overheat.
- Do not use the printer near water.
- Do not place the printer on an unstable surface.
- Do not put your printer where the cord will be stepped on.
- Avoid using outlets that other appliances are plugged into.

- ❑ Slots and openings, located on the sides of the printer, are provided for ventilation. Keep these slots and openings clear to allow proper ventilation. Avoid placing the printer on a soft surface like a bed or a sofa, or in a small enclosed area, as this restricts ventilation.
- ❑ When using an extension cord, be careful not to exceed its recommended amperage limit. Also, be sure that all items plugged into the electrical outlet do not exceed a total of 15 amperes.
- ❑ Never push objects of any kind through cabinet slots as they may touch dangerous voltage points or short out parts that could result in fire or electric shock.
- ❑ Never spill liquid on the printer.
- ❑ Unless specifically instructed in this guide, do not attempt to service this product yourself. Opening or removing covers that are marked **Do Not Remove** exposes you to dangerous voltage points and other risks. Refer all servicing in those compartments to a qualified service representative.
- ❑ Adjust only those controls that are covered by the operating instructions. Improper adjustment of other controls may result in damage and may require repairs by a qualified service representative.
- ❑ Unplug the printer and refer servicing to a qualified service representative under the following conditions:
 - A. If liquid has entered the printer.
 - B. If the printer has been exposed to rain or water.
 - C. If the printer does not operate normally or exhibits a distinct change in performance.
 - D. If the printer has been dropped or the cabinet damaged.
 - E. When the power cord or plug is damaged or frayed.

- ❑ If you plan to use the printer in Germany, observe the following:

To provide adequate short-circuit protection and over-current protection for this printer, the building installation must be protected by a 10 or 16 amp circuit breaker.

Safety Information

Laser safety labels



Warning:

The use of controls, or the performance of procedures and adjustments other than those specified in this guide may result in hazardous radiation exposure.

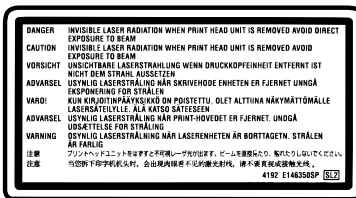


Your printer is a Class 1 laser product as defined in the IEC60825 specifications. The label shown below is attached in countries where required.

Internal laser radiation

Max. Radiation Power 1.16 mW

Wave Length 775 to 795 nm



This is a Class IIIb Laser Diode Assembly that has an invisible laser beam. The printer head unit is NOT A SERVICE ITEM. Therefore, the printer head unit should not be opened under any circumstances. An additional laser warning label is affixed to the inside of the printer.

CDRH regulations

For information about the Center for Devices and Radiological Health of the U.S. Food and Drug Administration, see the Reference Guide.

Ozone safety

Ozone emission

Ozone gas is generated by laser printers as a by-product of the printing process. Ozone is produced only when the printer is printing.

Ozone exposure limit

The recommended exposure limit for ozone is 0.1 parts per million (ppm) expressed as an average time-weighted concentration over an eight (8) hour period.

The EPSON AcuLaser C1000 laser printer generates less than 0.1 ppm for 8 hours of continuous printing.

Minimize the risk

To minimize the risk of exposure to ozone, you should avoid the following conditions:

- Use of multiple laser printers in a confined area (see above)
- Operation in conditions of extremely low humidity
- Poor room ventilation
- Long, continuous printing together with any of the above

Printer location

The printer should be located so that the exhaust gases and heat generated are:

- Not blown directly into the user's face
- Vented directly out of the building whenever possible

For United Kingdom Users

The EPSON AcuLaser C1000 is a page printer which utilizes a semiconductor laser.

There is no possibility of danger from the laser, provided that the printer is operated according to the instructions in the guides provided.

Since radiation emitted by the laser is completely confined within protective housings and external covers, the laser beam cannot escape from the machine during any phase of user operation.



Warning:

The use of controls, or the performance of procedures and adjustments other than those specified in this guide may result in hazardous radiation exposure.

This is a semiconductor laser. The maximum power of the laser diode is 15 mW and the wavelength is 775 to 795 nm.

Use of options

EPSON (UK) Limited shall not be liable against any damages or problems arising from the use of any options or consumable products other than those designated as Original EPSON Products or EPSON Approved Products by EPSON (UK) Limited.

Safety information

Warning: This appliance must be earthed. Refer to rating plate for voltage and check that the appliance voltage corresponds to the supply voltage.

Important: The wires in the mains lead fitted to this appliance are coloured in accordance with the following code:

Green and yellow—Earth

Blue—Neutral

Brown—Live

If you need to fit a plug:

As the colours of the mains lead of this appliance may not match any coloured markings used to identify the terminals in a plug, please proceed as follows:

- The green and yellow wire must be connected to the terminal in the plug which is marked with the letter *E* or the Earth symbol (\perp).
- The blue wire must be connected to the terminal in the plug marked with the letter *N*.
- The brown wire must be connected to the terminal in the plug marked with the letter *L*.

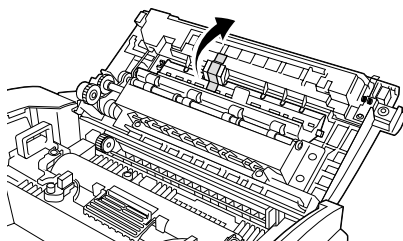
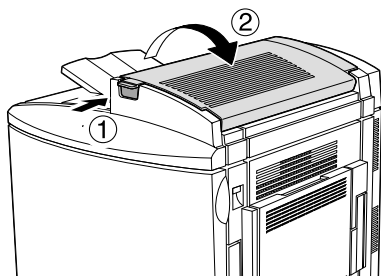
If damage occurs to the plug, replace the cord set or consult a qualified electrician.

Replace fuses only with a fuse of the correct size and rating.

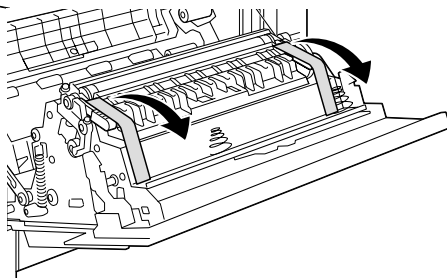
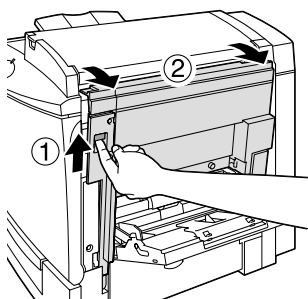
1 Removing the Protective Materials

Before you start the printer, remove all protective materials as shown in the illustrations below.

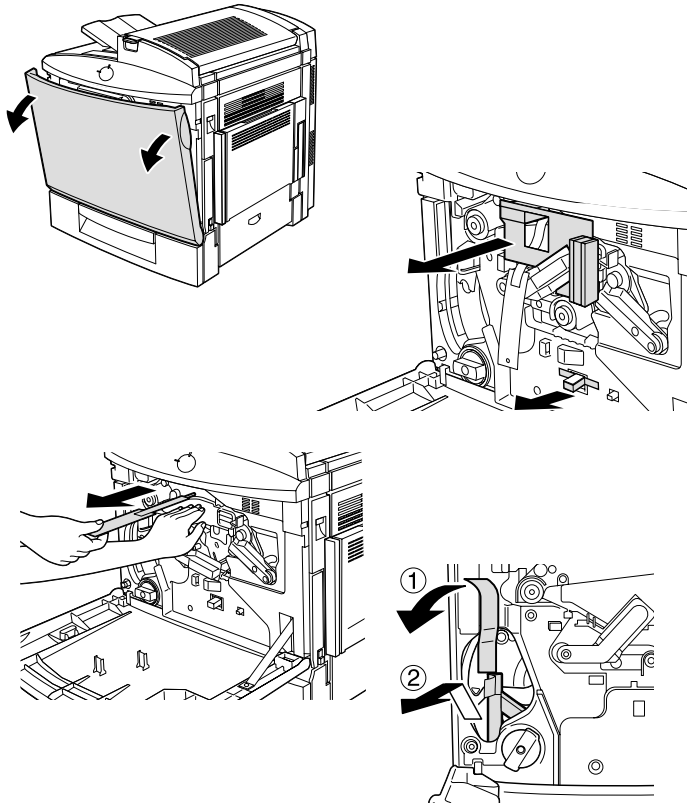
1



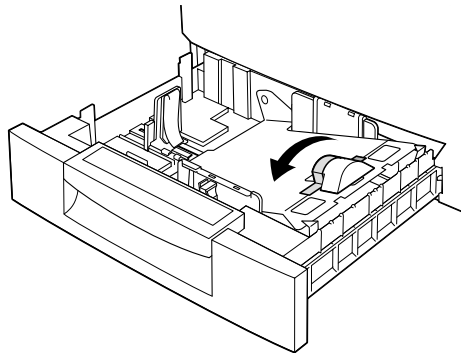
2



3

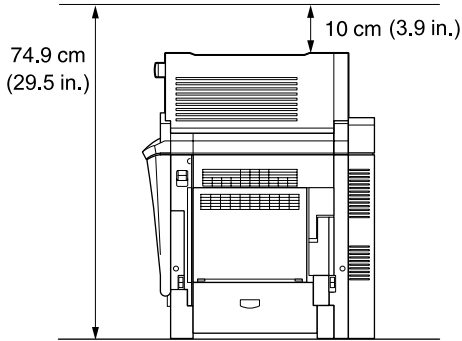
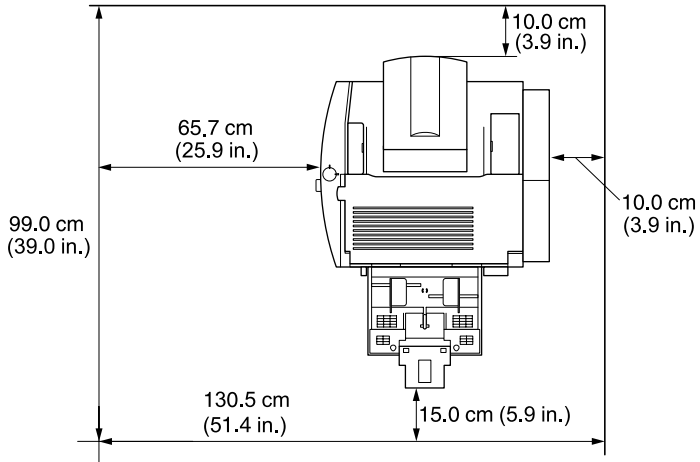


4



2 Finding a Place for the Printer

Allow adequate space for easy operation and maintenance as shown below.



Additional space needed for options;

500-Sheet Paper Cassette Unit 11.4 cm (4.9 in.) to the bottom of the printer

Duplex Unit 3.3 cm (1.3 in.) to the right side of the printer

Always follow the precautions below when finding a place to locate the printer:

- Place the printer where you can easily unplug the power cord.
- Keep the entire computer and printer system away from potential sources of interference, such as loudspeakers or the base units of cordless telephones.



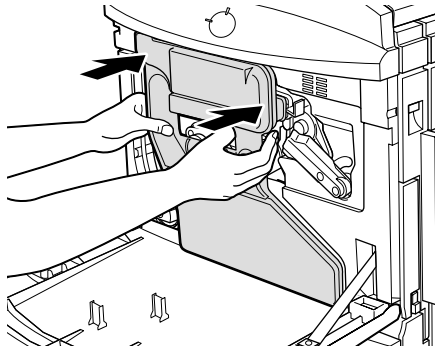
Caution:

- Leave adequate room around the printer to allow for sufficient ventilation.*
- Avoid locations that are subject to direct sunlight, excessive heat, moisture, or dust.*

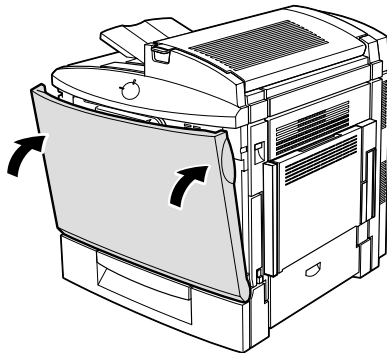
3 *Assembling the Printer*

Installing the Waste Toner Collector

1. Attach the waste toner collector.



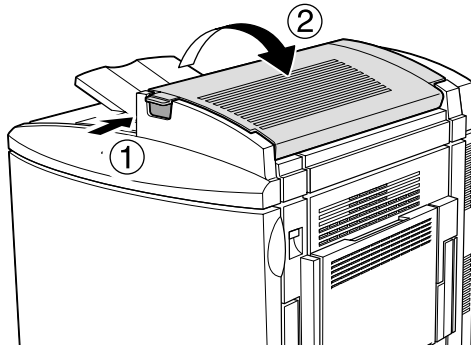
2. Close the front cover.



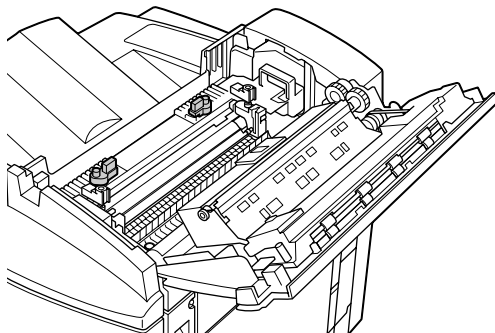
Installing the Fuser Oil Roll

Handling precautions:

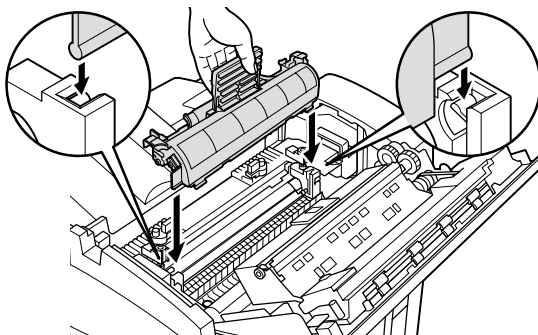
- ❑ Do not touch the white roll surface.
 - ❑ If oil gets on your skin or clothes, wash it off immediately.
 - ❑ Keep the fuser oil roll out of the reach of children.
 - ❑ The fuser oil roll should always be kept horizontally. Do not tilt or lean it against anything. Doing so can cause oil to leak and damage print quality.
1. Push the lever and lift the printer's top cover.



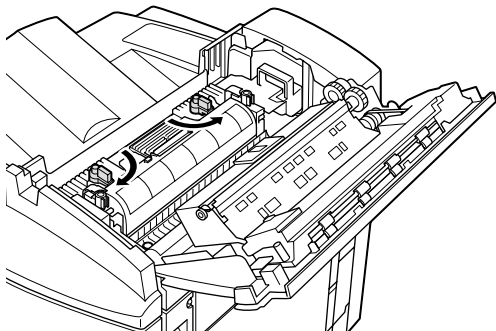
2. Make sure that the two fuser oil roll levers are in the position shown below.



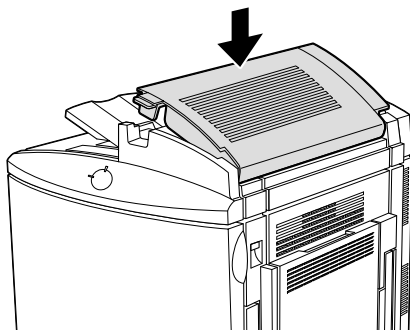
3. Install the fuser oil roll.



4. Turn the two levers out so that they rest on top of the roll.



5. Gently close the top cover until it clicks.



4 Installing the Options

If you purchased any options with the printer, install them before plugging in the printer. To install the 500-Sheet Paper Cassette Unit and the Duplex Unit, refer to the manual for each option.

Installing a Memory Module

Increasing the printer's memory allows you to print complex and graphics-intensive documents. You can increase printer memory up to 256 MB by installing optional Dual In-line Memory Modules (DIMMs).

This printer has two DIMM slots (S0, S1). One of the slots has a 16 MB DIMM pre-installed at the time of manufacture. To increase the printer memory to more than 144 MB, you have to remove the original 16 MB DIMM first and then install two optional DIMMs.

Before purchasing make sure that the DIMM you choose is compatible with EPSON products. For more details, contact your printer dealer or EPSON sales company.

Memory size	16 MB, 32 MB, 64 MB, or 128 MB
-------------	--------------------------------



Caution:

Before you install a memory module, be sure to discharge any static electricity by touching a grounded piece of metal. Otherwise, you may damage static-sensitive components.

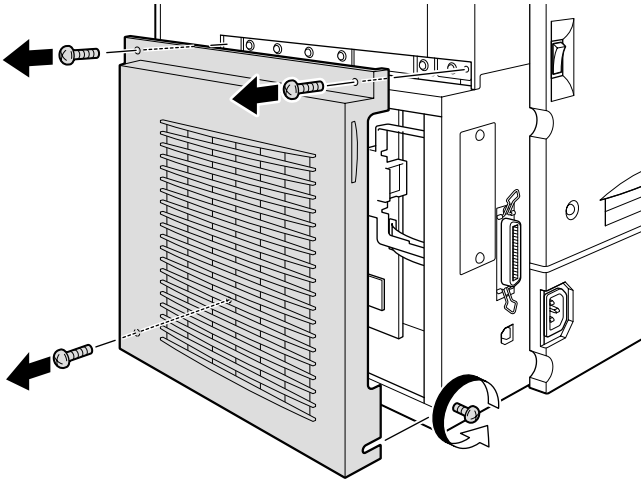


Warning:

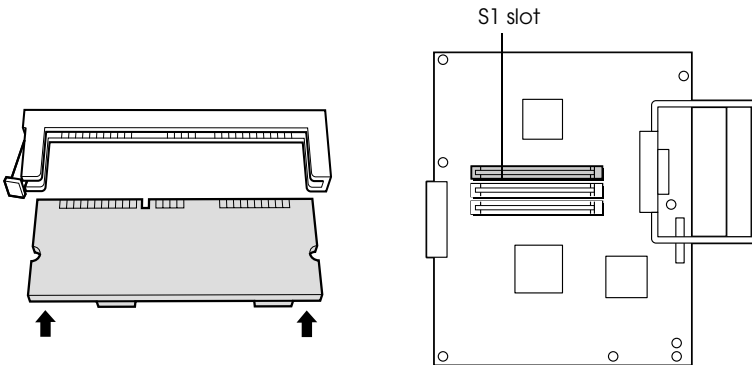
Be careful when working inside the printer as some components are sharp and may cause injury.

1. Make sure that the printer is turned off and unplug the power cord.

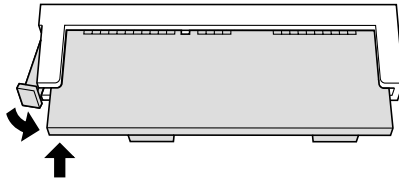
2. Remove the cover from the back of the printer.



3. Hold the memory module above the DIMM slot and insert it into the S1 slot. Do not apply too much force.



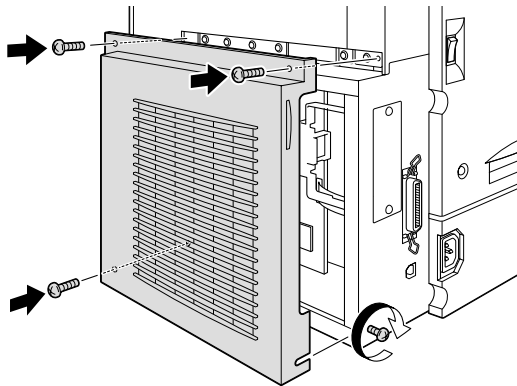
4. Push the DIMM into the slot straight, until the clip comes up to hold the memory module securely in place.



Caution:

Do not remove any modules from the circuit board except the S0 or S1 slot. Doing so may cause the printer to malfunction.

5. Replace the cover.



To confirm that the memory module is installed correctly, print a status sheet. If the total amount of memory listed does not include the size of the optional memory module, try reinstalling. Make sure that the module is securely attached to the DIMM slot. For instructions on how to print a status sheet, see “Testing the printer” on page 31.

Installing an Interface Card

Your printer comes with a Type B interface slot. See the *Reference Guide* for more details on the optional interface card.



Caution:

Before you install the interface card, be sure to discharge any static electricity by touching a grounded piece of metal. Otherwise, you may damage static-sensitive components.

Note:

Printing through a network requires more memory than other connections. Therefore, to increase the printer performance, increase the printer memory.

Notes on Printing Methods Available on a Network

The following table lists the printing methods available on a network, depending on the OS used.

OS	Printing methods
Windows NT 4.0/2000	LPR, EpsonNet Direct Print
Windows 95/98/Me	EpsonNet Direct Print
Macintosh	AppleTalk

Printing is not supported on NetBEUI, IPX/SPX (NetWare), and IPP.

Use EpsonNet WebAssist to disable the NetBEUI and NetWare settings, as follows:

For NetBEUI: Select Disable for the NetBEUI item on the NetBEUI screen.

For NetWare: Select Disable for the NetWare item on the NetWare screen.

See “EpsonNet WebAssist” in Chapter 10 of Administrator’s Manual shipped with C12C82391*.

Restrictions on Using EpsonNet NDPS Gateway

EpsonNet NDPS Gateway does not come with your EPSON AcuLaser C1000 and C12C82391*. However, if you already have EpsonNet NDPS Gateway, read the following restrictions.

EpsonNet NDPS Gateway creates Printer Agents automatically using EPSONPAP.NLM. These Printer Agents cannot be used. Therefore, be sure to delete them.

Printer Agents are created with the following names.

For IPX Printer Agent: AL-C1000 and the last 6 digits of the MAC address

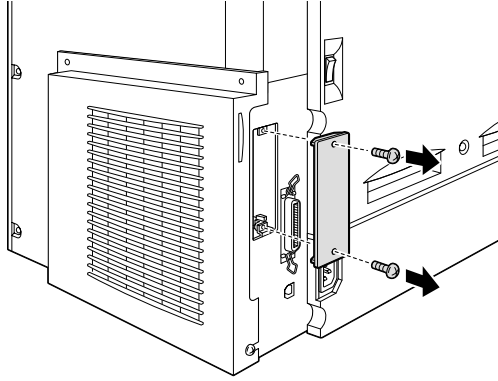
For LPR Printer Agent: AL-C1000 and the last 6 digits of the MAC address@IP

See “Automatic Creation” in the *EpsonNet NDPS Gateway Online Guide* for more information on creating Public Access Printers automatically.

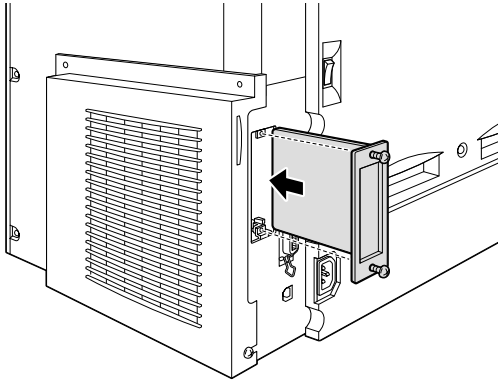
Installing an Interface Card

1. Make sure that the printer is turned off and unplug the power cord.

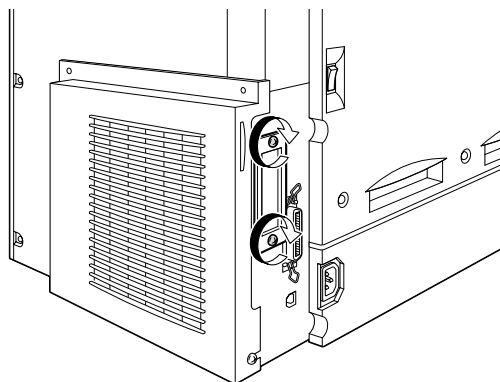
2. Remove the interface slot cover on the far left side of the printer.



3. Slide the interface card into the slot firmly, making sure that the connector at the back of the interface card is fully inserted into the printer's internal socket.



4. Secure by fastening the retaining screws.



To confirm that the interface card is installed correctly, print a status sheet. If the AUX interface is not listed on the status sheet, try reinstalling the card and making sure that the card is securely fastened to the socket on the printer. For instructions on how to print a status sheet, see “Testing the printer” on page 31.

5 Connecting the Printer

Plugging in the Printer

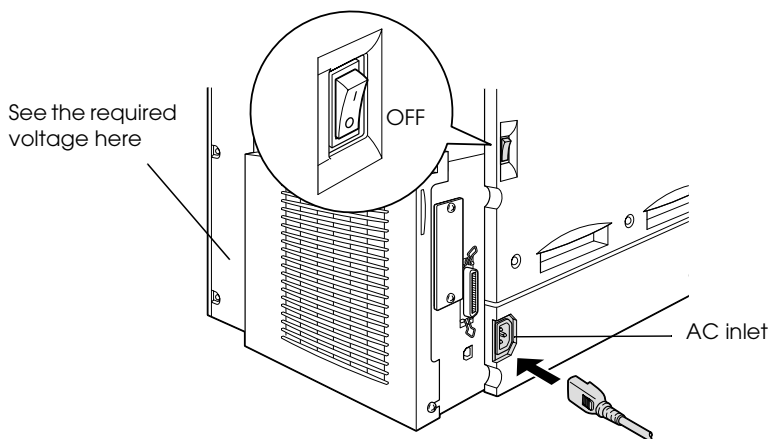
1. Make sure that you have the correct power cord for your power source.



Caution:

It is not possible to change the printer's voltage. If the required voltage and your outlet voltage do not match, contact your dealer for assistance. Do not plug in the power cord.

2. Attach the power cord as shown below.



Caution:

Avoid using an electrical outlet that is controlled by wall switches or automatic timers. Accidental disruption of power can erase valuable information in your computer's and printer's memory.

3. Plug the power cord into a properly grounded electrical outlet.

Connecting to the Computer

Your printer comes with two standard interface connectors, parallel and USB.

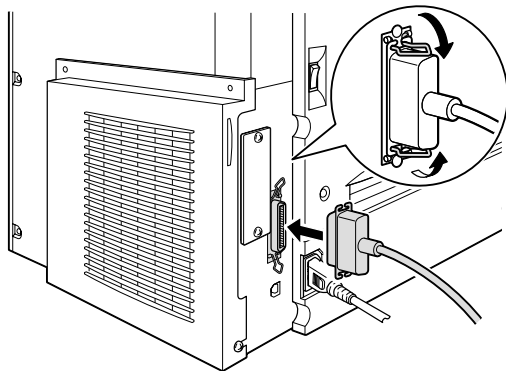
Note:

If you want to connect the printer to your computer through an installed optional interface card, you need a different type of cable. See the optional interface card's manual.

Using a parallel connection

Follow the steps below to connect the printer to your computer through the parallel interface. You need a shielded, twisted-pair parallel interface cable that is IEEE-1284 compatible.

1. Make sure that both the printer and the computer are turned off.
2. Attach the parallel interface cable to the printer, and secure the connector with wire retaining clips as shown.



3. Plug the other end of the cable into the computer's parallel interface connector.

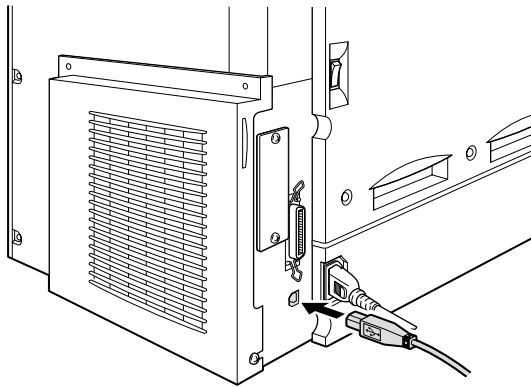
Using a USB connection

Follow the steps below to connect the printer to your computer through the USB interface. EPSON recommends using a standard shielded, USB 2.0 certified cable.

Note:

Only Macintosh® and PC systems equipped with a USB connector and running Mac® 8.1 (or later) and Windows® 98/Me/2000 respectively support the USB interface.

1. Plug the appropriate end of the cable into the USB port on the back of the printer, as shown below. (The end that fits the printer has a different shape from the end that fits the computer.)



2. Connect the other end of the cable to the computer's USB port.

6 *Installing the Printer Software and Testing the Printer*

Installing the printer driver

When you install the printer driver, the following are installed.

- ❑ **Printer driver**
The printer driver gives you complete control settings over your printer with the Microsoft® Windows® Me/98/95/2000, Windows NT® 4.0, or Mac® OS 8.1 or later operating systems. With it, you can make various settings such as print quality and paper size.

- ❑ **EPSON Status Monitor 3**
The EPSON Status Monitor 3 utility allows you to view printer status information such as the amount of toner remaining and to check for any printer errors.

For Windows Users

Make sure that the printer is turned off. Insert the CD-ROM that comes with your printer in your CD-ROM drive. Then follow the on-screen instructions.

EPSON Installation Program Screen



Note:

If the EPSON Installation Program screen does not appear automatically, perform either of the following procedures:

- Double-click the My Computer icon, right-click the CD-ROM icon, and click Open in the menu that appears. Then double-click the Root folder, and double-click Setup.exe.*

- ❑ *Double-click the My Computer icon, right-click the CD-ROM icon, and click Open in the menu that appears. Then double-click the folder of your language, double-click the OS name you're using. And double-click the Setup folder, then click Setup.exe.*

- ❑ *To install other software, please see the Reference Guide.*

For Macintosh Users

Your Macintosh must meet the following requirements to use the driver included with the printer:

Mac OS 8.1 or later (Except for Mac OS X)



Caution:

Turn off any anti-virus software before installing the printer driver.

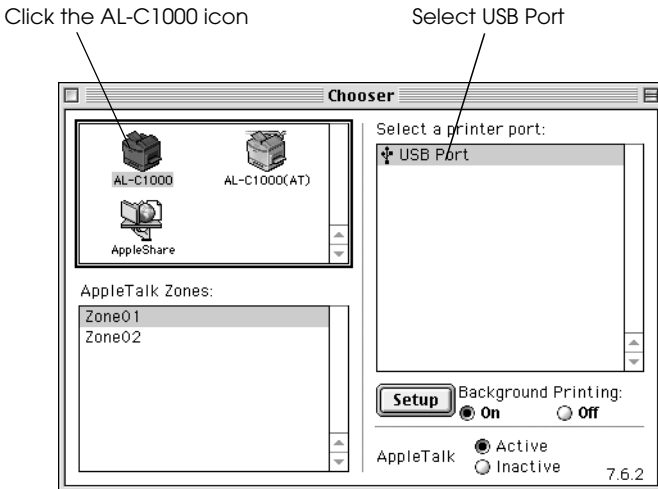
1. Make sure that the printer is turned off. Insert the Printer Software CD-ROM in your CD-ROM drive. Double-click the Install Printer Driver/Utility folder.
2. Double-click the Installer icon.
3. Click Continue. When the software license agreement screen appears, read the statement and then click Accept.

4. Click Install and follow the on-screen instructions.



Selecting your printer in the Chooser

After you have installed the printer driver, you need to open the Chooser to select your printer. This procedure is necessary the first time you use a printer and when you want to switch to another printer. Your Macintosh will always print using the last printer selected.

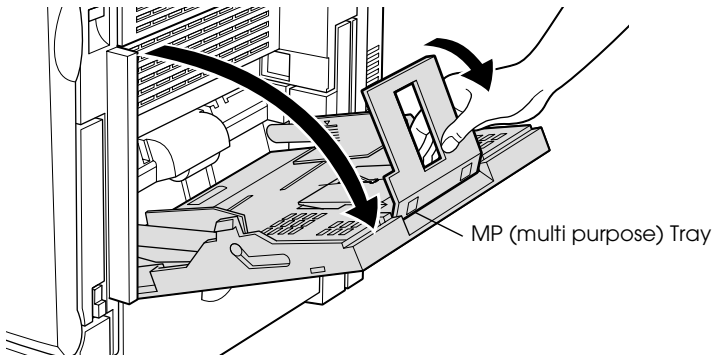


Note:

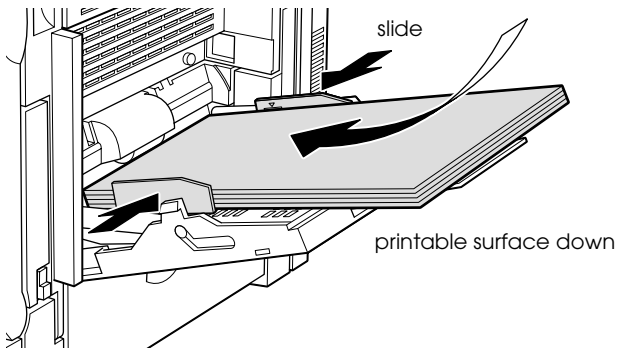
When you connect the printer through AppleTalk, click the AL-C1000(AT) icon and select AL-C1000 in the Select a printer port box.

Loading paper

1. Open the MP tray and lift the paper support on the MP tray.



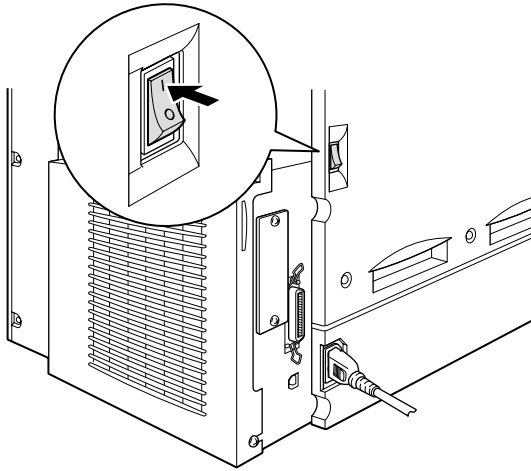
2. Fan a stack of A4 or Letter size paper, then tap it on a flat surface to even the edges. Load the paper in the MP tray.



Testing the printer

For Windows Users

1. Make sure that the paper is loaded.
2. Turn on the printer as shown below. It is on when the | side of the power switch is pushed in.



Note:

The green ready indicator light flashes to show that the printer is warming up.

3. Make sure that your computer is turned on and that Windows is running.
4. Click Start, point to Settings, and click Printers.
5. Right-click the EPSON AL-C1000 Advanced icon, and click Properties in the menu that appears.

6. Click the Optional Settings tab and then click Status Sheet. The printer starts printing a status sheet.
7. Check that the printer has printed the status sheet clearly and that any installed options are included on the status sheet.

Note:

- If the status sheet does not correctly show your installed options, check the options again to make sure they are connected securely to the printer.*
- If you are unable to get the printer to print a correct status sheet, contact your dealer.*

For Macintosh Users

1. Make sure that the paper is loaded.
2. Turn on the printer. It is on when the | side of the power switch is pushed in.

Note:

The green ready indicator light flashes to show that the printer is warming up.

3. Make sure that your computer is turned on and that Mac OS is running.
4. Select Chooser from the Apple menu. Select the AL-C1000 icon, and the port your printer is connected to. Click Setup, and the EPSON Printer Setup dialog box appears.
5. Click Print Status, then the Status Setting dialog box appears.
6. Click Status Sheet, and the printer starts printing a status sheet.
7. Check that the printer has printed the status sheet clearly and that any installed options are included on the status sheet.

Note:

- ❑ *If the status sheet does not correctly show your installed options, check the options again to make sure that they are connected securely to the printer.*
- ❑ *If you are unable to get the printer to print a correct status sheet, contact your dealer.*

7 **Printing Quick Reference Guide**

After you install the printer driver, print the Quick Reference guide bundled in the Printer Software CD-ROM. The Quick Reference guide describes how to clear paper jams and problems.

For Windows Users

1. Insert the CD-ROM that comes with your printer in the CD-ROM drive.

Note:

Acrobat Reader 4.0 or later must be installed in your computer to open and read the Quick Reference guide.

2. Double-click User Guides in the EPSON Installation Program screen.
3. Click the arrow next to the View Quick Reference. The Quick Reference guide will open on the Acrobat Reader.
4. Open the File menu and select Print.
5. Click OK. The Quick Reference guide will be printed.
6. Store the printed Quick Reference guide near the printer for troubleshooting printer problems.

For Macintosh Users

1. Insert the CD-ROM that comes with your printer in the CD-ROM drive.

Note:

Acrobat Reader 4.0 or later must be installed in your computer to open and read the Quick Reference guide.

2. Double-click the User Guides folder in the EPSON folder.
3. Double-click the View Quick Reference icon in the User Guides folder. The Quick Reference guide will open on the Acrobat Reader.
4. Select Print from the File menu.
5. Click Print. The Quick Reference guide will be printed.
6. Store the printed Quick Reference guide near the printer for troubleshooting printer problems.

EPSON OVERSEAS MARKETING LOCATIONS

Epson America, Inc.

3840 Kilroy Airport Way
Long Beach, CA 90806
Phone: (562) 981-3840
Fax: (562) 290-5220

EPSON UK LTD.

Campus 100, Maylands Avenue,
Hemel Hempstead, Herts,
HP2 7TJ, U.K.
Phone: (+44) 01442 261144
Fax: (+44) 01442 227227

EPSON DEUTSCHLAND GmbH

Zülpicher Straße 6,
40549 Düsseldorf Germany
Phone: (0211) 56030
Fax: (0211) 5047787

EPSON FRANCE S.A.

68 bis, rue Marjolin
92300, Levallois-Perret, France
Phone: 33.1.41.86.26.56
Telex: 610657

EPSON AUSTRALIA PTY. LTD.

70 GIBBES STREET,
CHATSWOOD 2067 NSW.
Phone: 2-9903-9000
Fax: 2-9903-9177

EPSON SINGAPORE PTE. LTD.

No. 1 Temasek Avenue #36-00
Millenia Tower, Singapore 039192
Phone: (065) 33 77 911
Fax: (065) 33 41 185

EPSON HONG KONG LTD.

Rooms 4706-10, 47/F,
China Resources Bldg.,
26 Harbour Road, Wanchai, Hong Kong
Phone: 2585-4300
Fax: 2827-7083

EPSON TAIWAN TECHNOLOGY & TRADING LTD.

10F, No. 287 Nanking E. Road, Sec. 3,
Taipei, Taiwan, R.O.C.
Phone: (02) 717-7360
Fax: (02) 712-9164

EPSON ITALIA S.p.A.

V.le F.lli Casiraghi 427
20099 Sesto S.Giovanni
MI, Italy
Phone: +3902262331
Fax: +39022440750

EPSON IBERICA S.A.

Av. de Roma, 18-26
08290 Cerdanyola del Valles
Barcelona, Spain
Phone: 582. 15.00
Fax: 582. 15.55

**SEIKO EPSON CORPORATION
(Hirooka Office)**

80 Harashinden, Hirooka
Shiojiri-shi, Nagano-ken
399-0785 Japan

EPSON PORTUGAL, S.A.

R. do Progresso, 471, 1° Perafita
4460 Matosinhos, Portugal
Phone: (02) 996 14 02
Fax: (02) 996 14 11

EPSON

Color Laser Printer

EPSON AcuLaser™ C1000

Setup Guide

Printed in Japan
01.XX-XX