

User's Guide

Copyright

No part of this publication may be reproduced, stored in a retrieval system, or transmitted in any form or by any means, electronic, mechanical, photocopying, recording, or otherwise, without the prior written permission of Seiko Epson Corporation. No patent liability is assumed with respect to the use of the information contained herein. Neither is any liability assumed for damages resulting from the use of the information herein. The information contained herein is designed only for use with this Epson product. Epson is not responsible for any use of this information as applied to other products.

Neither Seiko Epson Corporation nor its affiliates shall be liable to the purchaser of this product or third parties for damages, losses, costs, or expenses incurred by the purchaser or third parties as a result of accident, misuse, or abuse of this product or unauthorized modifications, repairs, or alterations to this product, or (excluding the U.S.) failure to strictly comply with Seiko Epson Corporation's operating and maintenance instructions.

Seiko Epson Corporation and its affiliates shall not be liable for any damages or problems arising from the use of any options or any consumable products other than those designated as Original Epson Products or Epson Approved Products by Seiko Epson Corporation.

Seiko Epson Corporation shall not be held liable for any damage resulting from electromagnetic interference that occurs from the use of any interface cables other than those designated as Epson Approved Products by Seiko Epson Corporation.

© 2016 Seiko Epson Corporation. All rights reserved.

The contents of this manual and the specifications of this product are subject to change without notice.

Trademarks

- ❑ EPSON® is a registered trademark, and EPSON EXCEED YOUR VISION or EXCEED YOUR VISION is a trademark of Seiko Epson Corporation.
- ❑ Microsoft®, Windows®, and Windows Vista® are registered trademarks of Microsoft Corporation.
- ❑ Apple, Macintosh, Mac OS, OS X, Bonjour, Safari, iPad, iPhone, iPod touch, and iTunes are trademarks of Apple Inc., registered in the U.S. and other countries. AirPrint and the AirPrint logo are trademarks of Apple Inc.
- ❑ Google Cloud Print™, Chrome™, Chrome OS™, and Android™ are trademarks of Google Inc.
- ❑ Adobe, Adobe Reader, Acrobat, and Photoshop are trademarks of Adobe systems Incorporated, which may be registered in certain jurisdictions.
- ❑ Monotype is a trademark of Monotype Imaging, Inc. registered in the United States Patent and Trademark Office and may be registered in certain jurisdictions.
- ❑ Albertus, Arial, and Times New Roman are trademarks of The Monotype Corporation.
- ❑ ITC Avant Garde, ITC Bookman, ITC Zapf-Chancery, and ITC Zapf Dingbats are trademarks of International Typeface Corporation registered in the United States Patent and Trademark Office and may be registered in certain jurisdictions.
- ❑ Clarendon, Helvetica, New Century Schoolbook, Palatino, Times and Univers are registered trademarks of Heidelberger Druckmaschinen AG, which may be registered in certain jurisdictions, exclusively licensed through Linotype Library GmbH, a wholly owned subsidiary of Heidelberger Druckmaschinen AG.
- ❑ Wingdings is a registered trademark of Microsoft Corporation in the United States and other countries.
- ❑ Antique Olive is a registered trademark of Marcel Olive and may be registered in certain jurisdictions.
- ❑ Marigold is a trademark of AlphaOmega Typography.
- ❑ Coronet is a registered trademark of Ludlow Type Foundry.
- ❑ PCL is the registered trademark of Hewlett-Packard Company.
- ❑ Getopt

Copyright © 1987, 1993, 1994 The Regents of the University of California. All rights reserved.

Redistribution and use in source and binary forms, with or without modification, are permitted provided that the following conditions are met:

1. Redistributions of source code must retain the above copyright notice, this list of conditions and the following disclaimer.
2. Redistributions in binary form must reproduce the above copyright notice, this list of conditions and the following disclaimer in the documentation and/or other materials provided with the distribution.
4. Neither the name of the University nor the names of its contributors may be used to endorse or promote products derived from this software without specific prior written permission.

THIS SOFTWARE IS PROVIDED BY THE REGENTS AND CONTRIBUTORS "AS IS" AND ANY EXPRESS OR IMPLIED WARRANTIES, INCLUDING, BUT NOT LIMITED TO, THE IMPLIED WARRANTIES OF MERCHANTABILITY AND FITNESS FOR A PARTICULAR PURPOSE ARE DISCLAIMED. IN NO EVENT SHALL THE REGENTS OR CONTRIBUTORS BE LIABLE FOR ANY DIRECT, INDIRECT, INCIDENTAL, SPECIAL, EXEMPLARY, OR CONSEQUENTIAL DAMAGES (INCLUDING, BUT NOT LIMITED TO, PROCUREMENT OF SUBSTITUTE GOODS OR SERVICES; LOSS OF USE, DATA, OR PROFITS; OR BUSINESS INTERRUPTION) HOWEVER CAUSED AND ON ANY THEORY OF LIABILITY, WHETHER IN CONTRACT, STRICT LIABILITY, OR TORT (INCLUDING NEGLIGENCE OR OTHERWISE) ARISING IN ANY WAY OUT OF THE USE OF THIS SOFTWARE, EVEN IF ADVISED OF THE POSSIBILITY OF SUCH DAMAGE.

Trademarks

Arcfour

This code illustrates a sample implementation of the Arcfour algorithm.

Copyright © April 29, 1997 Kalle Kaukonen. All Rights Reserved.

Redistribution and use in source and binary forms, with or without modification, are permitted provided that this copyright notice and disclaimer are retained.

THIS SOFTWARE IS PROVIDED BY KALLE KAUKONEN AND CONTRIBUTORS "AS IS" AND ANY EXPRESS OR IMPLIED WARRANTIES, INCLUDING, BUT NOT LIMITED TO, THE IMPLIED WARRANTIES OF MERCHANTABILITY AND FITNESS FOR A PARTICULAR PURPOSE ARE DISCLAIMED. IN NO EVENT SHALL KALLE KAUKONEN OR CONTRIBUTORS BE LIABLE FOR ANY DIRECT, INDIRECT, INCIDENTAL, SPECIAL, EXEMPLARY, OR CONSEQUENTIAL DAMAGES (INCLUDING, BUT NOT LIMITED TO, PROCUREMENT OF SUBSTITUTE GOODS OR SERVICES; LOSS OF USE, DATA, OR PROFITS; OR BUSINESS INTERRUPTION) HOWEVER CAUSED AND ON ANY THEORY OF LIABILITY, WHETHER IN CONTRACT, STRICT LIABILITY, OR TORT (INCLUDING NEGLIGENCE OR OTHERWISE) ARISING IN ANY WAY OUT OF THE USE OF THIS SOFTWARE, EVEN IF ADVISED OF THE POSSIBILITY OF SUCH DAMAGE.

microSDHC Logo is a trademark of SD-3C, LLC.

Note: microSDHC is built into the product and cannot be removed.



Intel® is a registered trademark of Intel Corporation.

General Notice: Other product names used herein are for identification purposes only and may be trademarks of their respective owners. Epson disclaims any and all rights in those marks.

Contents

Copyright

Trademarks

About This Manual

Introduction of Manuals.	8
Marks and Symbols.	8
Descriptions Used in this Manual.	8
Operating System References.	9

Important Instructions

Safety Instructions.	10
Printer Advisories and Warnings.	11
Advisories and Warnings for Setting Up/ Using the Printer.	11
Advisories and Warnings for Using the Printer with a Wireless Connection.	12
Advisories and Warnings for Using the LCD Screen.	12
Protecting Your Personal Information.	12

Administrator Settings

Locking the Printer Settings Using an Administrator's Password.	13
Unlocking the Printer Settings.	13

Printer Basics

Part Names and Functions.	14
Control Panel.	16
Buttons and Lights.	16
Icons Displayed on the LCD Screen.	17
Menu Options.	17
Menu.	17

Loading Paper

Paper Handling Precautions.	25
Available Paper and Capacities.	26
List of Paper Types.	28
Loading Paper in the Paper Cassette.	28
Loading Paper in the Rear Paper Feed.	31

Printing

Printing from a Computer.	34
Printing Basics - Windows.	34
Printing Basics - Mac OS X.	35
Printing on 2-Sides.	37
Printing Several Pages on One Sheet.	39
Printing to Fit the Paper Size.	40
Printing Multiple Files Together (for Windows Only).	41
Enlarged Printing and Making Posters (for Windows Only).	42
Printing Using Advanced Features.	48
Printing Using a PostScript Printer Driver.	50
Printing Using a PostScript Printer Driver - Windows.	50
Printing Using a PostScript Printer Driver - Mac OS X.	52
Setting Items for the PostScript Printer Driver.	53
Printing from Smart Devices.	53
Using Epson iPrint.	53
Using AirPrint.	55
Canceling Printing.	56
Canceling Printing - Printer Button.	56
Canceling Printing - Windows.	56
Canceling Printing - Mac OS X.	56

Replacing Ink Cartridges and Other Consumables

Checking the Status of the Remaining Ink and the Maintenance Box.	57
Checking the Status of the Remaining Ink and the Maintenance Box - Control Panel.	57
Checking the Status of the Remaining Ink and the Maintenance Box - Windows.	57
Checking the Status of the Remaining Ink and the Maintenance Box - Mac OS X.	57
Ink Cartridge Codes.	58
Ink Cartridge Handling Precautions.	58
Replacing Ink Cartridges.	59
Maintenance Box Code.	61
Maintenance Box Handling Precautions.	61
Replacing a Maintenance Box.	62

Improving Print Quality

Checking and Cleaning the Print Head.	64
---	----

Contents

Standards and Approvals for U.S. Model.	104
Standards and Approvals for European Model. .	105
German Blue Angel.	105
Restrictions on Copying.	105
Saving Power.	106
Saving Power - Control Panel.	106
Transporting the Printer.	106
Installing the Optional Units.	107
Optional Paper Cassette Unit Code.	107
Installing the Optional Paper Cassette Units. . .	107
Where to Get Help.	109
Technical Support Web Site.	109
Contacting Epson Support.	109

About This Manual

Introduction of Manuals

The latest versions of the following manuals are available from the Epson support website.

<http://www.epson.eu/Support> (Europe)

<http://support.epson.net/> (outside Europe)

Important Safety Instructions (paper manual)

Provides you with instructions to ensure the safe use of this printer. This manual may not be included depending on model and region.

Start Here (paper manual)

Provides you with information on setting up the printer and installing the software.

User's Guide (PDF manual)

This manual. Provides overall information and instructions on using the printer, and on solving problems.

Network Guide (PDF manual)

Provides information on network settings and solving problems when using the printer on a network.

Administrator's Guide (PDF manual)

Provides network administrators with information on management and printer settings.

As well as the manuals above, check the various types of help information available from the Epson applications.

Marks and Symbols



Caution:

Instructions that must be followed carefully to avoid bodily injury.



Important:

Instructions that must be observed to avoid damage to your equipment.

Note:

Provides complementary and reference information.

➔ Related Information

Links to related sections.

Descriptions Used in this Manual

- Screenshots of the printer driver screens are from Windows 8.1 or Mac OS X v10.9.x. The content displayed on the screens varies depending on the model and situation.

About This Manual

- ❑ Illustrations of the printer used in this manual are examples only. Although there may be slight differences depending on the model, the method of operation is the same.
- ❑ Some of the menu items on the LCD screen vary depending on the model and settings.

Operating System References

Windows

In this manual, terms such as "Windows 8.1", "Windows 8", "Windows 7", "Windows Vista", "Windows XP", "Windows Server 2012 R2", "Windows Server 2012", "Windows Server 2008 R2", "Windows Server 2008", "Windows Server 2003 R2", and "Windows Server 2003" refer to the following operating systems. Additionally, "Windows" is used to refer to all versions.

- ❑ Microsoft® Windows® 8.1 operating system
- ❑ Microsoft® Windows® 8 operating system
- ❑ Microsoft® Windows® 7 operating system
- ❑ Microsoft® Windows Vista® operating system
- ❑ Microsoft® Windows® XP operating system
- ❑ Microsoft® Windows® XP Professional x64 Edition operating system
- ❑ Microsoft® Windows Server® 2012 R2 operating system
- ❑ Microsoft® Windows Server® 2012 operating system
- ❑ Microsoft® Windows Server® 2008 R2 operating system
- ❑ Microsoft® Windows Server® 2008 operating system
- ❑ Microsoft® Windows Server® 2003 R2 operating system
- ❑ Microsoft® Windows Server® 2003 operating system

Mac OS X

In this manual, "Mac OS X v10.9.x" refers to "OS X Mavericks" and "Mac OS X v10.8.x" refers to "OS X Mountain Lion". Additionally, "Mac OS X" is used to refer to "Mac OS X v10.9.x", "Mac OS X v10.8.x", "Mac OS X v10.7.x" and "Mac OS X v10.6.8".

Important Instructions

Safety Instructions



Read and follow these instructions to ensure safe use of this printer. Make sure you keep this manual for future reference. Also, be sure to follow all warnings and instructions marked on the printer.

- Some of the symbols used on your printer are to ensure safety and proper use of the printer. Visit the following Web site to learn the meaning of the symbols.
<http://support.epson.net/symbols>
- Use only the power cord supplied with the printer and do not use the cord with any other equipment. Use of other cords with this printer or the use of the supplied power cord with other equipment may result in fire or electric shock.
- Be sure your AC power cord meets the relevant local safety standard.
- Never disassemble, modify, or attempt to repair the power cord, plug, printer unit, or options by yourself, except as specifically explained in the printer's manuals.
- Unplug the printer and refer servicing to qualified service personnel under the following conditions:
The power cord or plug is damaged; liquid has entered the printer; the printer has been dropped or the casing damaged; the printer does not operate normally or exhibits a distinct change in performance. Do not adjust controls that are not covered by the operating instructions.
- Place the printer near a wall outlet where the plug can be easily unplugged.
- Do not place or store the printer outdoors, near excessive dirt or dust, water, heat sources, or in locations subject to shocks, vibrations, high temperature or humidity.
- Take care not to spill liquid on the printer and not to handle the printer with wet hands.
- Keep the printer at least 22 cm away from cardiac pacemakers. Radio waves from this printer may adversely affect the operation of cardiac pacemakers.
- If the LCD screen is damaged, contact your dealer. If the liquid crystal solution gets on your hands, wash them thoroughly with soap and water. If the liquid crystal solution gets into your eyes, flush them immediately with water. If discomfort or vision problems remain after a thorough flushing, see a doctor immediately.
- Be careful when you handle used ink cartridges, as there may be some ink around the ink supply port.
 - If ink gets on your skin, wash the area thoroughly with soap and water.
 - If ink gets into your eyes, flush them immediately with water. If discomfort or vision problems continue after a thorough flushing, see a doctor immediately.
 - If ink gets into your mouth, see a doctor right away.
- Do not disassemble the ink cartridge and the maintenance box; otherwise ink may get into your eyes or on your skin.
- Do not shake ink cartridges too vigorously; otherwise ink may leak from the cartridge.
- Keep ink cartridges and maintenance box out of the reach of children.

Printer Advisories and Warnings

Read and follow these instructions to avoid damaging the printer or your property. Make sure you keep this manual for future reference.

Advisories and Warnings for Setting Up/Using the Printer

- Do not block or cover the vents and openings in the printer.
- Use only the type of power source indicated on the printer's label.
- Avoid using outlets on the same circuit as photocopiers or air control systems that regularly switch on and off.
- Avoid electrical outlets controlled by wall switches or automatic timers.
- Keep the entire computer system away from potential sources of electromagnetic interference, such as loudspeakers or the base units of cordless telephones.
- The power-supply cords should be placed to avoid abrasions, cuts, fraying, crimping, and kinking. Do not place objects on top of the power-supply cords and do not allow the power-supply cords to be stepped on or run over. Be particularly careful to keep all the power-supply cords straight at the ends and the points where they enter and leave the transformer.
- If you use an extension cord with the printer, make sure that the total ampere rating of the devices plugged into the extension cord does not exceed the cord's ampere rating. Also, make sure that the total ampere rating of all devices plugged into the wall outlet does not exceed the wall outlet's ampere rating.
- If you plan to use the printer in Germany, the building installation must be protected by a 10 or 16 amp circuit breaker to provide adequate short-circuit protection and over-current protection for the printer.
- When connecting the printer to a computer or other device with a cable, ensure the correct orientation of the connectors. Each connector has only one correct orientation. Inserting a connector in the wrong orientation may damage both devices connected by the cable.
- Place the printer on a flat, stable surface that extends beyond the base of the printer in all directions. The printer will not operate properly if it is tilted at an angle.
- When storing or transporting the printer, avoid tilting it, placing it vertically, or turning it upside down; otherwise ink may leak.
- Leave enough space in front of the printer for the paper to be fully ejected.
- Avoid places subject to rapid changes in temperature and humidity. Also, keep the printer away from direct sunlight, strong light, or heat sources.
- Do not insert objects through the slots in the printer.
- Do not put your hand inside the printer during printing.
- Do not touch the white flat cable inside the printer.
- Do not use aerosol products that contain flammable gases inside or around the printer. Doing so may cause fire.
- Do not move the print head by hand; otherwise, you may damage the printer.
- Always turn the printer off using the  button. Do not unplug the printer or turn off the power at the outlet until the  light stops flashing.
- Before transporting the printer, make sure that the print head is in the home (far right) position and the ink cartridges are in place.
- If you are not going to use the printer for a long period, be sure to unplug the power cord from the electrical outlet.

Important Instructions

Advisories and Warnings for Using the Printer with a Wireless Connection

- ❑ Radio waves from this printer may negatively affect the operation of medical electronic equipment, causing them to malfunction. When using this printer inside medical facilities or near medical equipment, follow directions from the authorized personnel representing the medical facilities, and follow all posted warnings and directions on the medical equipment.
- ❑ Radio waves from this printer may negatively affect the operation of automatically controlled devices such as automatic doors or fire alarms, and could lead to accidents due to malfunction. When using this printer near automatically controlled devices, follow all posted warnings and directions on these devices.

Advisories and Warnings for Using the LCD Screen

- ❑ The LCD screen may contain a few small bright or dark spots, and because of its features it may have an uneven brightness. These are normal and do not indicate that it is damaged in any way.
- ❑ Only use a dry, soft cloth for cleaning. Do not use liquid or chemical cleaners.
- ❑ The exterior cover of the LCD screen could break if it receives a heavy impact. Contact your dealer if the screen's surface chips or cracks, and do not touch or attempt to remove the broken pieces.

Protecting Your Personal Information

When you give the printer to someone else or dispose of it, erase all the personal information stored in the printer's memory by selecting **Menu > System Administration > Restore Default Settings > Clear All Data and Settings** on the control panel.

Administrator Settings

Locking the Printer Settings Using an Administrator's Password

You can set an administrator's password to lock the printer settings so that they cannot be changed by other users. You can lock the following settings.

- System Administration
- Eco Mode

You cannot change settings without entering the password. This password is also required when you make settings using Web Config or EpsonNet Config.

**Important:**

Do not forget the password. If you forget the password, contact Epson support.

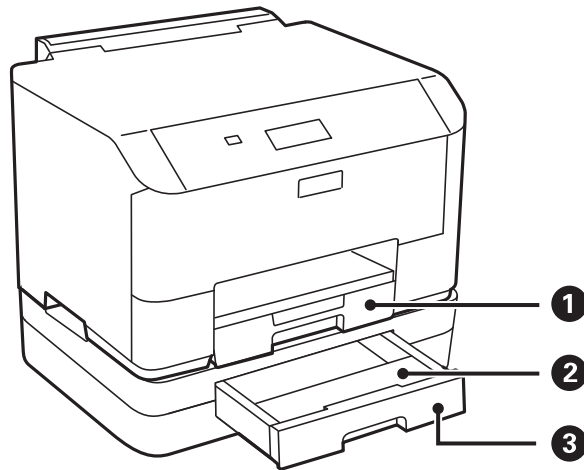
1. Enter **Menu** from the home screen.
2. Select **Admin Settings** > **Admin Password**.
3. Select **Register**, and then enter a password.
4. Enter the password again.
5. Select **Lock Setting**, and then enable it.

Unlocking the Printer Settings

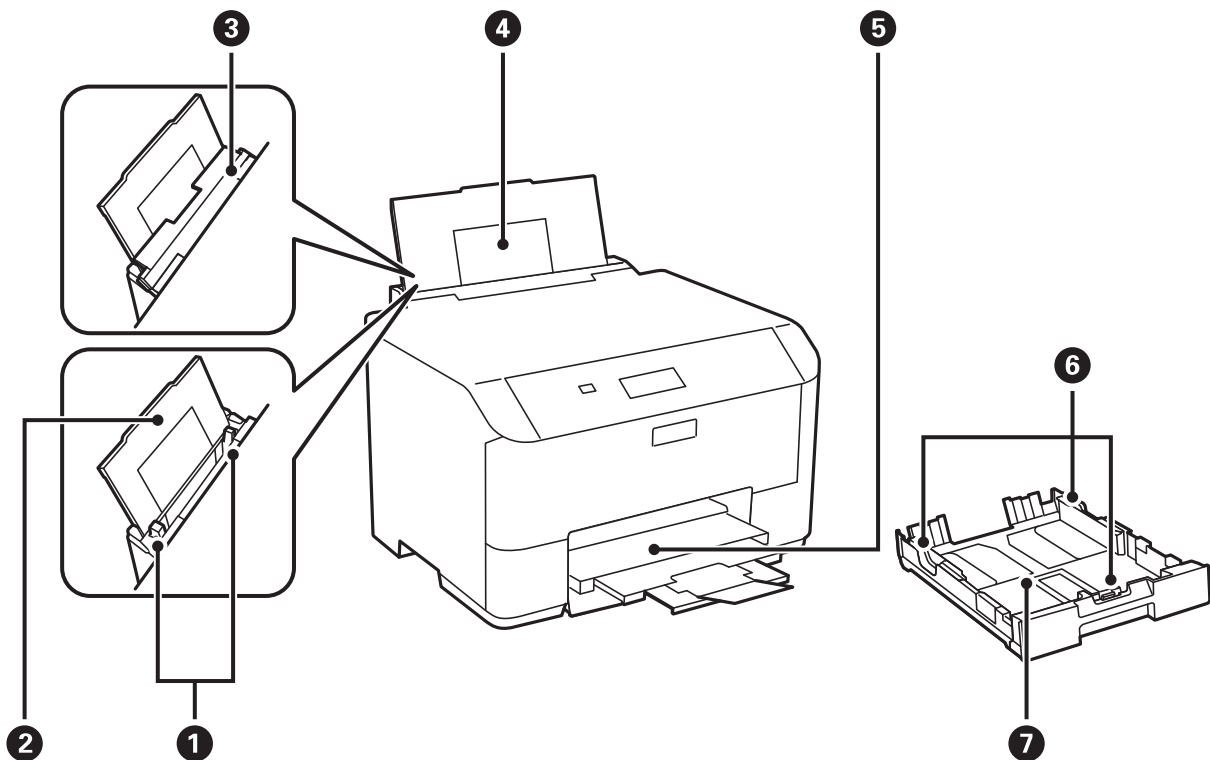
1. Enter **Menu** from the home screen.
2. Select **Admin Settings**.
3. Enter the administrator's password.
4. Select **Lock Setting**, and then disable it.

Printer Basics

Part Names and Functions

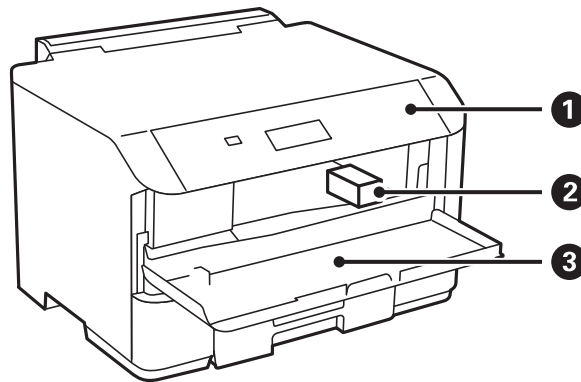


①	Paper cassette	Loads paper.
②	Paper cassette cover	Attach to paper cassette 2.
③	Paper cassette 2	Optional paper cassette units. Loads paper.

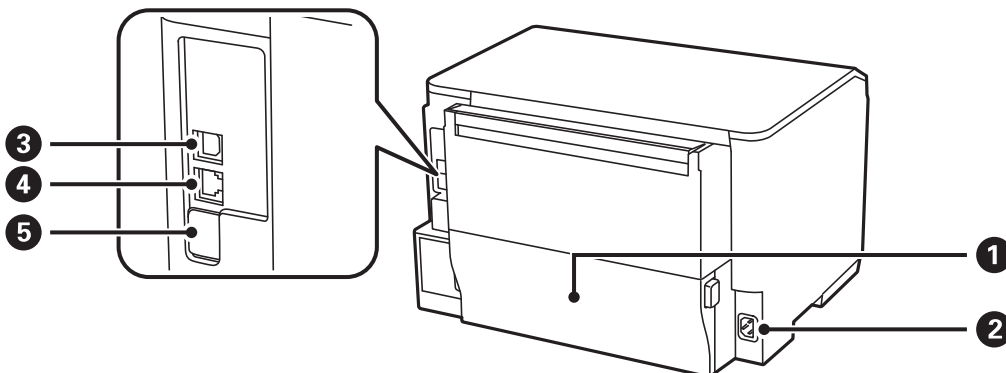


Printer Basics

①	Edge guides	Feeds the paper straight into the printer. Slide to the edges of the paper.
②	Paper support	Supports loaded paper.
③	Feeder guard	Prevents foreign substance from entering the printer. Usually keep this guard closed.
④	Rear paper feed	Loads paper.
⑤	Output tray	Holds the ejected paper.
⑥	Edge guides	Feeds the paper straight into the printer. Slide to the edges of the paper.
⑦	Paper cassette	Loads paper.



①	Control panel	Operates the printer.
②	Print head	Fires ink.
③	Front cover	Open when replacing an ink cartridge and removing jammed paper inside the printer.

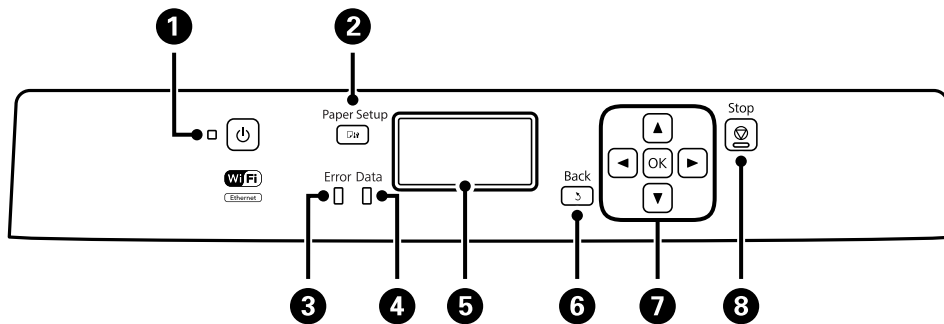


Printer Basics

①	Rear cover	Pull out when replacing the maintenance box and removing jammed paper.
②	AC inlet	Connects the power cord.
③	USB port	Connects a USB cable.
④	LAN port	Connects a LAN cable.
⑤	Service USB port	USB port for future use. Do not remove the sticker.

Control Panel

Buttons and Lights

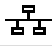









①		Turns the printer on or off. Unplug the power cord when the power light is off.
②		Displays the Paper Setup screen. You can select the paper size and paper type settings for each paper source.
③	Error	Flashes or turns on when an error occurs.
④	Data	Flashes while the printer is processing data. Turns on when there are queued jobs.
⑤	-	Displays menus and messages.
⑥		Returns to the previous screen.
⑦		Press , , , and to select menus. Press OK to confirm your selection or run the selected feature. When entering characters, press , , , and to select characters.
⑧		Stops the current operation. When entering characters, press this button to change the character type.

Printer Basics

Icons Displayed on the LCD Screen

The following icons are displayed on the LCD screen depending on the printer's status.

	Turns on while the printer is connected to a wired (Ethernet) network.
	Turns on when the wired (Ethernet) network is disabled and an Ethernet cable is not connected.
	Turns on while the printer is connected to a wireless (Wi-Fi) network. The number of bars indicates the signal strength of the connection. The more bars there are, the stronger the connection.
	Indicates a problem with the printer's wireless (Wi-Fi) network connection, or that the printer is searching for a wireless (Wi-Fi) network connection.
	Indicates that the printer is connected to a wireless (Wi-Fi) network in Ad Hoc mode.
	Indicates that the printer is connected to a wireless (Wi-Fi) network in Wi-Fi Direct mode.
	Indicates that the printer is connected to a wireless (Wi-Fi) network in Simple AP mode.
	Turns on when Eco Mode is enabled.

Menu Options

Menu

Menu	Settings and Explanations
Ink Level	<p>Displays the approximate levels of the ink and the maintenance box.</p> <p>When an ! icon is displayed, the ink is running low or the maintenance box is nearly full.</p> <p>When a x icon is displayed, the ink is expended or the maintenance box is full.</p>

Printer Basics

Menu	Settings and Explanations	
Maintenance	Print Head Nozzle Check	Prints a pattern to check if the print head nozzles are clogged.
	Print Head Cleaning	Cleans clogged nozzles in the print head.
	Print Head Alignment	Adjusts the print head to improve print quality. Run Vertical Alignment if your printouts look blurry. Run Horizontal Alignment if your printouts contain horizontal banding at regular intervals. Run Ruled Line Alignment if text and lines are misaligned.
	Improve Horizontal Streaks	Use this feature if your printouts contain horizontal banding after trying Print Head Cleaning and Horizontal Alignment . This feature provides more accurate adjustment than Horizontal Alignment .
	Thick Paper	Reduces ink smearing when printing. Enable this feature only when you see ink smearing on your printouts because it may lower the printing speed.
	Paper Guide Cleaning	Use this feature to feed paper for cleaning when there are ink stains on the internal rollers.
Paper Setup	Select the paper size and paper type you loaded in each paper source.	
Print Status Sheet	Configuration Status Sheet	Prints an information sheet showing the current printer status and settings.
	Supply Status Sheet	Prints an information sheet showing the status of consumables.
	Usage History Sheet	Prints an information sheet showing the usage history of the printer.
	PS3 Font List	Prints a list of fonts that are available for a PostScript printer.
	PCL Font List	Prints a list of fonts that are available for a PCL printer.
Network Status	Wi-Fi/Network Status	Displays or prints the current network settings.
	Wi-Fi Direct Status	
	Epson Connect Status	Displays whether or not the printer is registered and connected to Epson Connect or Google Cloud Print service.
	Google Cloud Print Status	See the Epson Connect portal website for more details. https://www.epsonconnect.com/ http://www.epsonconnect.eu (Europe only)
Confidential Job	Displays a list of jobs that have passwords. To print a job, select the job and enter the password.	

Printer Basics

Menu	Settings and Explanations	
Admin Settings	These menus allow an administrator to register an administrator password to protect the printer settings from being changed by other users.	
	Admin Password	Set, change, or reset the administrator password. If you forget the password, contact your dealer.
	Lock Setting	You need to enter an administrator password when you enter the System Administration settings.
System Administration	See the pages that describe these features for more details.	

Related Information

➔ [“System Administration” on page 19](#)

System Administration

Select **Menu** on the home screen, and then select **System Administration**.

Printer Basics

Menu	Settings and Explanations		
Printer Settings	Paper Source Settings	Rear Paper Feed Priority	Feeds paper from the rear paper feed on a priority basis.
		A4/Letter Auto Switching	Feeds paper from the paper source set as A4 size when there is no paper source set as Letter, or feeds from the paper source set as Letter size when there is no paper source set as A4.
		Auto Select Settings	Select the paper source to feed from. When there are multiple paper sources available, paper is fed from the paper source with paper settings that match the print job.
		Error Notice	Displays an error message when the paper size or type settings in Paper Setup and the print settings do not match.
	USB I/F Timeout Setting	Specify the length of time in seconds that must elapse before ending USB communication with a computer after the printer receives a print job from a PostScript printer driver or PCL printer driver. If the job ending is not clearly defined from a PostScript printer driver or PCL printer driver, it can cause endless USB communication. When this occurs, the printer ends communication after the specified time has elapsed. Enter 0 (zero) if you do not want to end communication.	
	Printing Language	Select the printing language for the USB interface or the network interface.	
	Auto Error Solver	<p>Select an action to perform when a 2-sided printing error or a memory full error occurs.</p> <p><input type="checkbox"/> 2-sided printing error</p> <p>Enabled: If a 2-sided job is sent when there is no paper available that supports 2-sided printing, the printer displays an error message, and then automatically prints on only one side of the paper.</p> <p>Disabled: The printer displays an error message and cancels printing.</p> <p><input type="checkbox"/> Memory full error</p> <p>Enabled: If the printer's memory becomes full while printing, the printer displays an error message, and then prints only the part of the data that the printer could process.</p> <p>Disabled: The printer displays an error message and cancels printing.</p>	
PC Connection via USB	Enables the printer which is connected to the computer over a USB connection. If this feature is disabled, the computer does not recognize printers with a USB connection.		

Printer Basics

Menu	Settings and Explanations		
Common Settings	Sleep Timer	Select the time period before the printer enters sleep mode (energy saving mode) when no operations are performed. The LCD screen turns black when the set time passes.	
	Power Off Timer	You can adjust the time before power management is applied. Any increase will affect the product's energy efficiency. Please consider the environment before making any change.	
	LCD Contrast	Adjust the brightness of the LCD screen.	
	Date/Time Settings	Date/Time	Enter the current date and time.
		Daylight Saving Time	Select to set the summer time.
		Time Difference	Enter the time difference between your local time and UTC (Coordinated Universal Time).
	Language	Select the display language.	
Scroll Speed	Select the scroll speed of the LCD screen.		
Wi-Fi/Network Settings	Wi-Fi/Network Status	Displays or prints the network settings and connection status.	
	Wi-Fi Setup	Wi-Fi Setup Wizard	See the <i>Network Guide</i> for more details.
		Push Button Setup (WPS)	
		PIN Code Setup (WPS)	
		Wi-Fi Auto Connect	
		Disable Wi-Fi	You may be able to resolve network problems by disabling the Wi-Fi settings or making the Wi-Fi settings again. See the <i>Network Guide</i> for more details.
	Wi-Fi Direct Setup	See the <i>Network Guide</i> for more details.	
	Connection Check	Checks the status of the network connection and prints the network connection check report. If there are any problems with the connection, see the check report to solve the problem.	
Advanced Setup	See the <i>Network Guide</i> for more details.		
Epson Connect Services	You can suspend or resume the Epson Connect or Google Cloud Print service, or cancel using the services (restore the default settings).		
Google Cloud Print Services	See the Epson Connect portal website for more details. https://www.epsonconnect.com/ http://www.epsonconnect.eu (Europe only)		

Printer Basics

Menu	Settings and Explanations	
Universal Print Settings	These print settings are applied when printing from an external device without using the printer driver, or when printing from a PostScript printer driver or PCL printer driver.	
	Top Offset	Adjust the top or left margin of the paper.
	Left Offset	
	Top Offset in Back	Adjust the top margin or left margin for the back of the page when performing 2-sided printing.
	Left Offset in Back	
	Check Paper Width	Checks the paper width before the printer starts printing. This prevents printing beyond the edges of the paper when the paper size setting is not correct, but the printing time may be little longer.
	Dry Time	Select the drying time when performing 2-sided printing.
	Skip Blank Page	Skips blank pages in the print data automatically.
	PDL Print Configuration	See the list of menus in PDL Print Configuration .
Security Settings	Delete All Confidential Jobs	Deletes all saved confidential jobs.
Eco Mode	The following Eco mode settings are available. When these settings are disabled, the settings made in Common Settings are applied.	
	Sleep Timer	Select the time period before the printer enters sleep mode (energy saving mode) when no operations are performed. The LCD screen turns black when the set time passes.
	Power Off Timer	Select the time period before the printer turns off automatically. You can adjust the time before power management is applied.
Clear Internal Memory Data	Deletes the print settings for a PostScript printer driver and a PCL printer driver. Select Clear All to delete all of the data for a PostScript printer driver and a PCL printer driver that is saved in the printer's memory.	
Restore Default Settings	Resets the selected settings to their defaults.	

Related Information

➔ [“PDL Print Configuration” on page 22](#)

PDL Print Configuration

Select **Menu** > **System Administration** > **Universal Print Settings** > **PDL Print Configuration** from the home screen.

Printer Basics

Menu	Settings and Explanations	
Common Settings	Paper Size	Select the paper size.
	Paper Type	Select the paper type.
	Orientation	Select the printing direction.
	Quality	Select the print quality.
	Ink Save Mode	Conserves ink by reducing the print density.
	Print Order	Last Page on Top: Prints from the first page of a file. First Page on Top: Prints from the last page of a file.
	Number of Copies	Set the number of copies.
	Binding Margin	Select the binding position.
	Auto Paper Ejection	Ejects paper automatically when printing is stopped during a print job.
	2-Sided Printing	Performs 2-sided printing.
PCL Menu	Font Source	Resident: Select to use a preinstalled font on the printer. Download: Select to use a font you have downloaded.
	Font Number	Select the default font number for the default font source. The available number varies depending on the settings you made.
	Pitch	Set the default font pitch if the font is scalable and of fixed-pitch. You can select from 0.44 to 99.99 cpi (characters per inch), in 0.01 increments. This item may not appear depending on the font source or font number settings.
	Height	Set the default font height if the font is scalable and proportional. You can select from 4.00 to 999.75 points, in 0.25 increments. This item may not appear depending on the font source or font number settings.
	Symbol Set	Select the default symbol set. If the font that you selected in the font source and the font number setting is not available in the new symbol set setting, the font source and the font number settings are automatically replaced with the default value, IBM-US .
	Form	Set the number of lines for the selected paper size and orientation. This also causes a line spacing (VMI) change, and the new VMI value is stored in the printer. This means that later changes in the page size or orientation settings cause changes in the Form value based on the stored VMI.
	CR Function	Select the line feed command when printing with a driver from a specific operating system.
	LF Function	
	Paper Source Assign	Set the assignment for the paper source select command. When 4 selected, the commands are set as compatible with the HP LaserJet 4. When 4K is selected, the commands are set as compatible with the HP LaserJet 4000, 5000, and 8000. When 5S is selected, the commands are set as compatible with the HP LaserJet 5S.

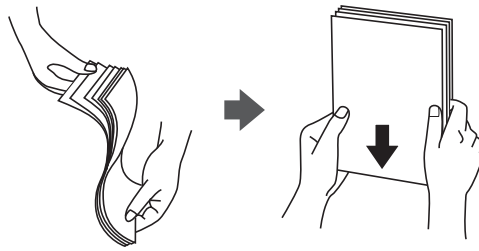
Printer Basics

Menu	Settings and Explanations	
PS3 Menu	Error Sheet	Prints a sheet showing the error status when any PostScript errors occur while printing and any errors occur while printing a PDF file.
	Binary	Enable this feature when printing data that contains binary images. This settings is only available when the printer is connected to the network. The application may send the binary data even if the printer driver setting is set to ASCII, but you can print the data when this feature is enabled.
	PDF Page Size	Select the paper size when printing a PDF file. If Auto is selected, the paper size is determined based on the size of the first page that is printed.

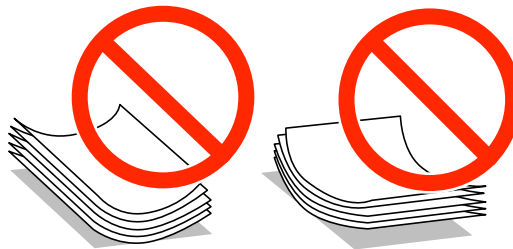
Loading Paper

Paper Handling Precautions

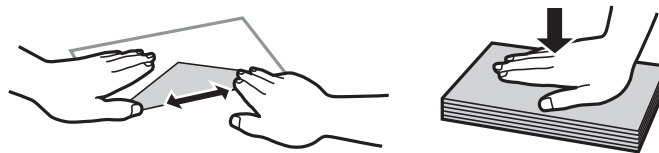
- ❑ Read the instruction sheets supplied with the paper.
- ❑ Fan and align the edges of the paper before loading. Do not fan or curl photo paper. Doing so may damage the printable side.



- ❑ If the paper is curled, flatten it or curl it slightly in the opposite direction before loading. Printing on curled paper may cause paper jams and smears on the printout.



- ❑ Do not use paper that is wavy, torn, cut, folded, damp, too thick, too thin, or paper that has stickers stuck to it. Using these types of paper causes paper jams and smears on the printout.
- ❑ Fan and align the edges of the envelopes before loading. When the stacked envelopes are puffed up with air, press them down to flatten them before loading.



- ❑ Do not use envelopes that are curled or folded. Using these envelopes causes paper jams and smears on the printout.
- ❑ Do not use envelopes with adhesive surfaces on the flaps or window envelopes.
- ❑ Avoid using envelopes that are too thin, as they may curl during printing.

Related Information

➔ [“Printer Specifications” on page 93](#)

Available Paper and Capacities

Epson recommends using genuine Epson paper to ensure high-quality printouts.

Genuine Epson Paper

Note:

Genuine Epson paper is not available when printing with a PostScript printer driver and the Epson universal printer driver.

Media Name	Size	Loading Capacity (Sheets)			2-Sided Printing
		Paper Cassette 1	Paper Cassette 2	Rear Paper Feed	
Epson Bright White Ink Jet Paper	A4	200	200	50	Auto, Manual*
Epson Matte Paper-Heavyweight	A4	-	-	20	-
Epson Photo Quality Ink Jet Paper	A4	-	-	80	-

* Only use the rear paper feed to print 2-sided print jobs manually. You can load up to 20 sheets for paper with one side already printed.

Note:

The availability of paper varies by location. For the latest information on paper available in your area, contact Epson support.

Commercially Available Paper

Note:

Letterhead, recycled paper, color paper, and preprinted paper are not available when printing with a PostScript printer driver.

Loading Paper

Media Name	Size	Loading Capacity (Sheets or Envelopes)			2-Sided Printing
		Paper Cassette 1	Paper Cassette 2	Rear Paper Feed	
Plain paper Copy paper	Legal	Up to the line under the ▼ symbol inside the edge guide.		1	Manual* ¹
Letterhead Recycled paper	Letter, A4, B5	Up to the line under the ▼ symbol inside the edge guide.		80	Auto, Manual* ^{1*2}
Color paper Preprinted paper	A5	Up to the line under the ▼ symbol inside the edge guide.	-	80	Manual* ^{1*2}
	A6 Executive	-	-	80	Manual* ²
	User Defined (mm) 182×257 to 215.9×297	-	-	80	Auto, Manual* ²
	User Defined Except for the above	-	-	1	Manual
Thick paper	Legal	-	-	1	Manual
	Letter, A4, B5, A5, A6, Executive	-	-	10	Manual* ³
	User Defined (mm) 182×257 to 215.9×297	-	-	10	Manual* ³
	User Defined Except for the above	-	-	1	Manual
Envelope	Envelope #10, Envelope DL, Envelope C6	-	-	10	-
	Envelope C4	-	-	1	-

*1 Only use the rear paper feed to print 2-sided print jobs manually.

*2 You can load up to 30 sheets for paper with one side already printed.

*3 You can load up to 5 sheets for paper with one side already printed.

Related Information

➔ [“Part Names and Functions” on page 14](#)

➔ [“Technical Support Web Site” on page 109](#)

Loading Paper

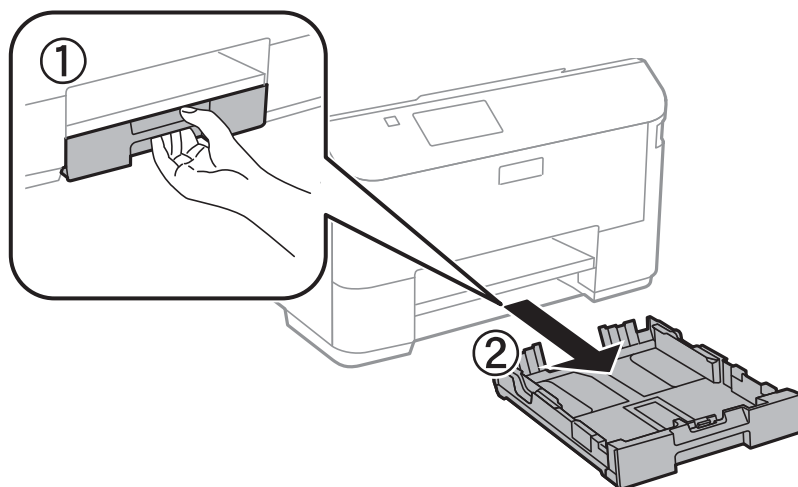
List of Paper Types

To obtain optimum printing results, select the paper type that suits the paper.

Media Name	Media Type			
	Control panel	Printer Driver	PostScript Printer Driver	Epson Universal Printer Driver
Copy paper, Plain paper Epson Bright White Ink Jet Paper	plain papers	plain papers	Plain	Plain
Letterhead	Letterhead	Letterhead	Letterhead	Letterhead
Recycled paper	Recycled	Recycled	Recycled	Recycled
Color paper	Color	Color	Color	Color
Preprinted paper	Preprinted	Preprinted	Preprinted	Preprinted
Epson Matte Paper-Heavyweight Epson Photo Quality Ink Jet Paper	Matte	Epson Matte	-	-
Thick paper	Thick-Paper	Thick-Paper	Thick	Thick
Envelope	Envelope	Envelope	Envelope	Envelope

Loading Paper in the Paper Cassette

1. Check that the printer is not operating, and then pull out the paper cassette.

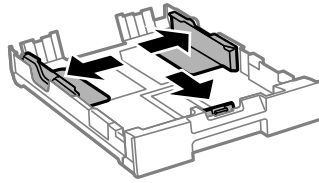


Note:

Remove the paper cassette cover from paper cassette 2.

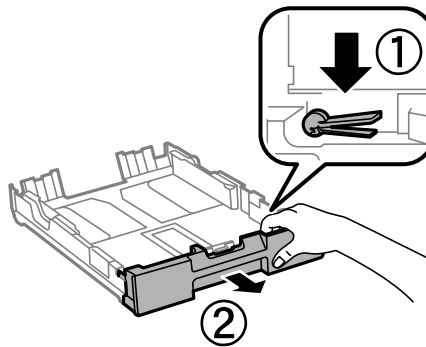
Loading Paper

- Slide the edge guides to their maximum position.

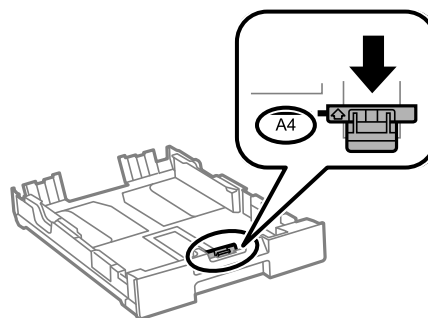


Note:

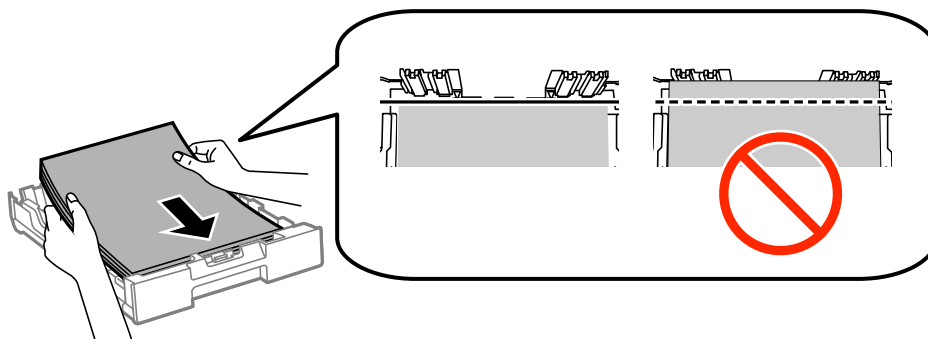
When using paper larger than A4 size, extend the paper cassette.



- Slide the front edge guide to the paper size you want to use.



- With the printable side facing down, load paper against the front edge guide.

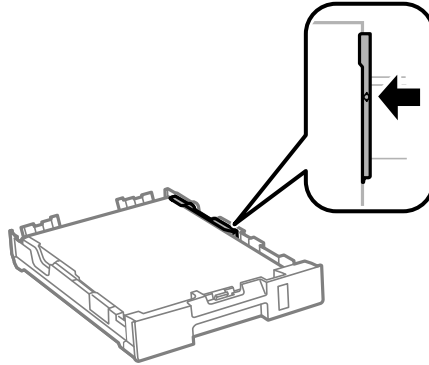


Loading Paper

! *Important:*

- Make sure the paper does not extend beyond the ▼ symbol at the end of the paper cassette.*
- Do not load more than the maximum number of sheets specified for the paper. For plain paper, do not load above the line just under the ▼ symbol inside the edge guide.*

5. Slide the side edge guides to the edges of the paper.



6. Insert the paper cassette all the way.

Note:

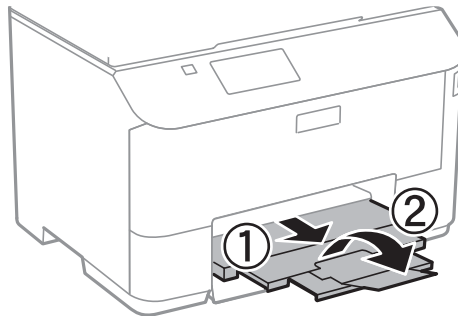
For paper cassette 2, reattach the paper cassette cover before inserting.

7. On the control panel, set the size and type of the paper you loaded in the paper cassette.

Note:

*You can also display the paper size and paper type settings screen by selecting **Menu > Paper Setup**.*

8. Slide out the output tray.

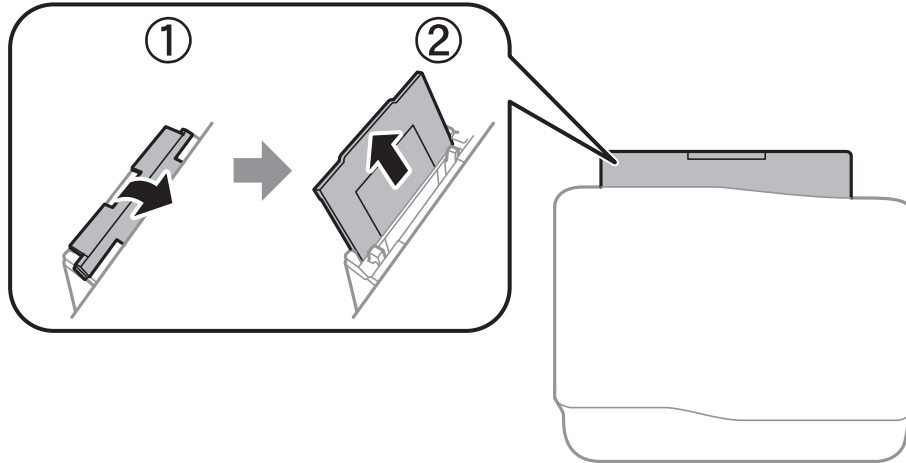


Related Information

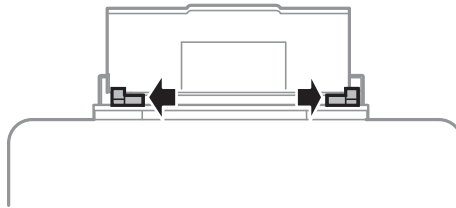
- ➔ [“Paper Handling Precautions” on page 25](#)
- ➔ [“Available Paper and Capacities” on page 26](#)

Loading Paper in the Rear Paper Feed

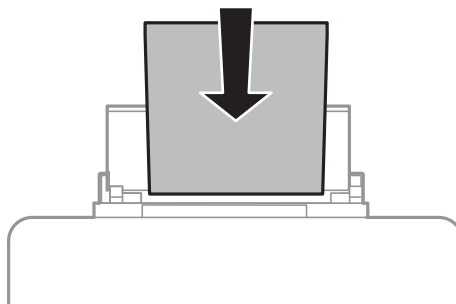
1. Open the feeder guard and pull out the paper support.



2. Slide the edge guides.



3. Load paper at the center of the rear paper feed with the printable side facing up.

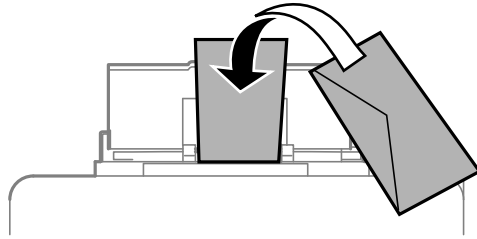


! Important:

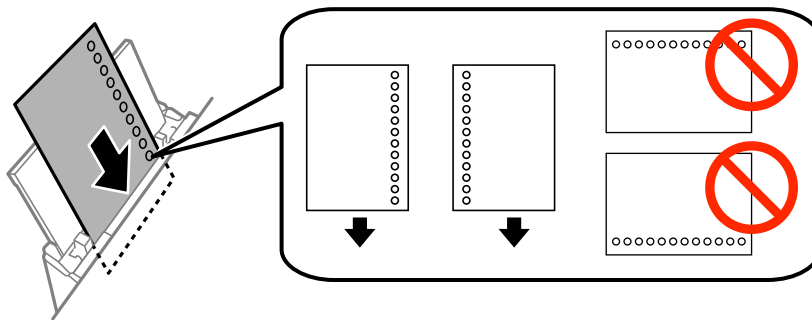
- ❑ Do not load more than the maximum number of sheets specified for the paper. For plain paper, do not load above the line just under the ▼ symbol inside the edge guide.
- ❑ Load paper short edge first. However, when you have set the long edge as the width of the user defined size, load paper long edge first.

Loading Paper

- ❑ Envelope



- ❑ Pre-punched paper

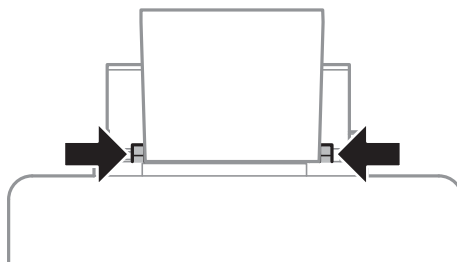


Note:

You can use pre-punched paper under the following conditions. Automatic 2-sided printing is not available for pre-punched paper.

- ❑ Loading capacity: One sheet
- ❑ Available size: A4, B5, A5, A6, Letter, Legal
- ❑ Binding holes: Do not load paper with the binding holes at the top or the bottom.
Adjust the print position of your file to avoid printing over the holes.

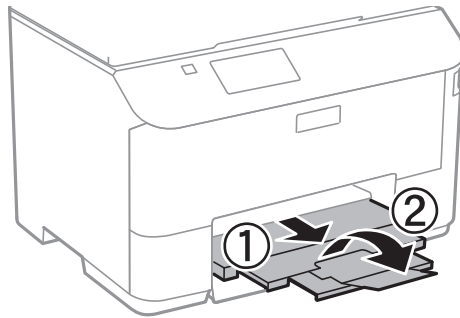
- Slide the edge guides to the edges of the paper.



- On the control panel, select **Menu > Paper Setup > Rear Paper Feed**, and then set the size and type of the paper you loaded in the rear paper feed.

Loading Paper

6. Slide out the output tray.



Note:

Return the remaining paper to its package. If you leave it in the printer, the paper may curl or the print quality may decline.

Related Information

- ➔ [“Paper Handling Precautions” on page 25](#)
- ➔ [“Available Paper and Capacities” on page 26](#)

Printing

Printing from a Computer

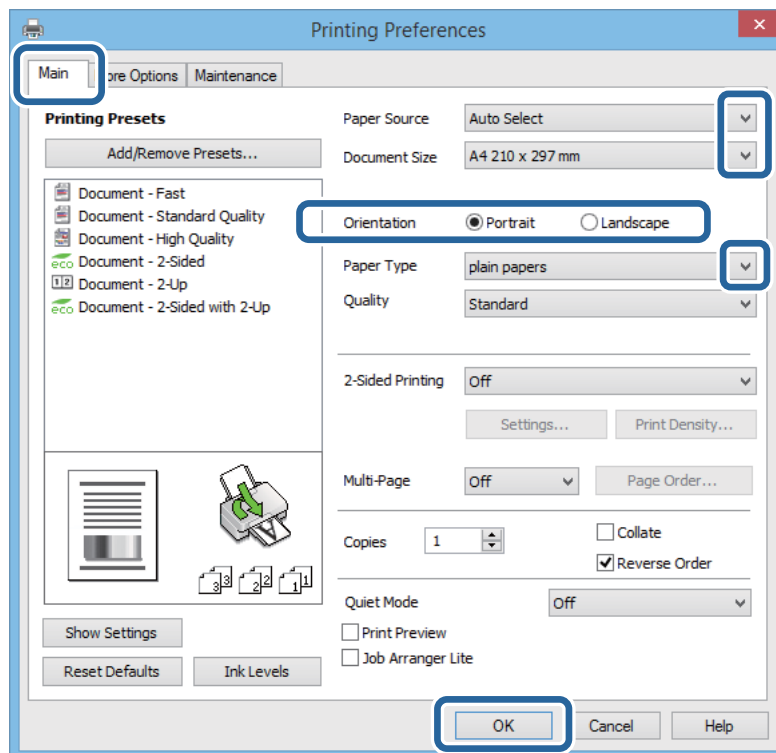
If you cannot change some of the printer driver settings, they may have been restricted by the administrator. Contact your printer administrator for assistance.

Printing Basics - Windows

Note:

- ❑ See the online help for explanations of the setting items. Right-click an item, and then click **Help**.
- ❑ Operations may differ depending on the application. See the application's help for details.

1. Load paper in the printer.
2. Open the file you want to print.
3. Select **Print** or **Print Setup** from the **File** menu.
4. Select your printer.
5. Select **Preferences** or **Properties** to access the printer driver window.



6. Make the following settings.
 - ❑ Paper Source: Select the paper source in which you loaded the paper.

Printing

- Document Size: Select the paper size you loaded in the printer.
- Orientation: Select the orientation you set in the application.
- Paper Type: Select the type of paper you loaded.

Note:

When printing on envelopes, select Landscape as the **Orientation** setting.

7. Click **OK** to close the printer driver window.
8. Click **Print**.

Related Information

- ➔ “Available Paper and Capacities” on page 26
- ➔ “Loading Paper in the Paper Cassette” on page 28
- ➔ “Loading Paper in the Rear Paper Feed” on page 31
- ➔ “List of Paper Types” on page 28

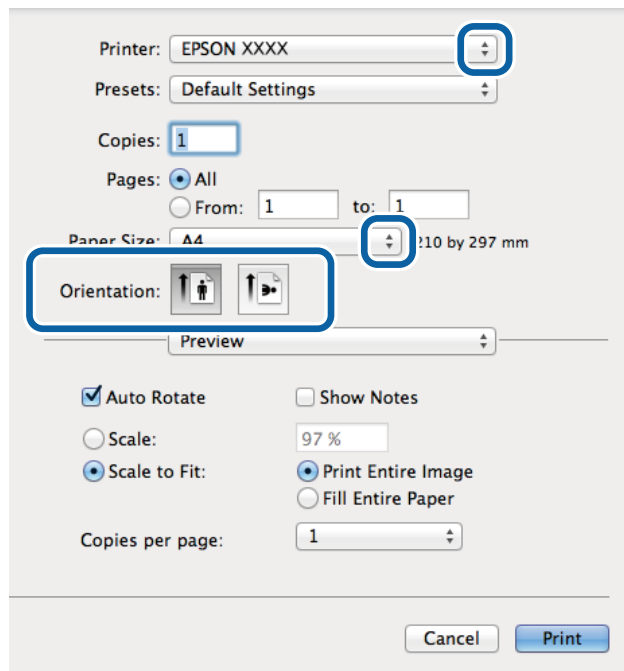
Printing Basics - Mac OS X

Note:

Operations differ depending on the application. See the application's help for details.

1. Load paper in the printer.
2. Open the file you want to print.
3. Select **Print** from the **File** menu or another command to access the print dialog.

If necessary, click **Show Details** or ▼ to expand the print window.



Printing

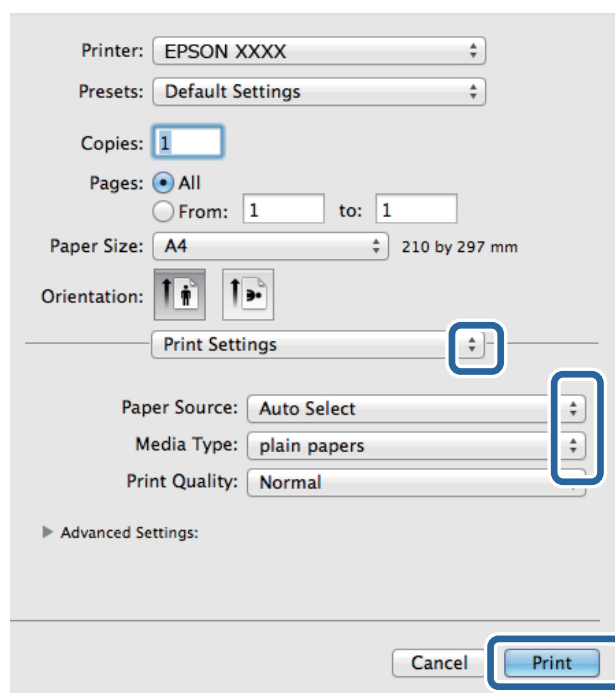
4. Make the following settings.

- Printer: Select your printer.
- Presets: Select when you want to use the registered settings.
- Paper Size: Select the paper size you loaded in the printer.
- Orientation: Select the orientation you set in the application.

Note:


When printing on envelopes, select landscape orientation.

5. Select **Print Settings** from the pop-up menu.



Note:

*On Mac OS X v10.8.x or later, if the **Print Settings** menu is not displayed, the Epson printer driver has not been installed correctly.*

Select **System Preferences** from the  menu > **Printers & Scanners** (or **Print & Scan**, **Print & Fax**), remove the printer, and then add the printer again. See the following to add a printer.

<http://epson.sn>

6. Make the following settings.

- Paper Source: Select the paper source in which you loaded the paper.
- Media Type: Select the type of paper you loaded.

7. Click **Print**.

Related Information

- ➔ [“Available Paper and Capacities” on page 26](#)
- ➔ [“Loading Paper in the Paper Cassette” on page 28](#)
- ➔ [“Loading Paper in the Rear Paper Feed” on page 31](#)

Printing

➔ [“List of Paper Types” on page 28](#)

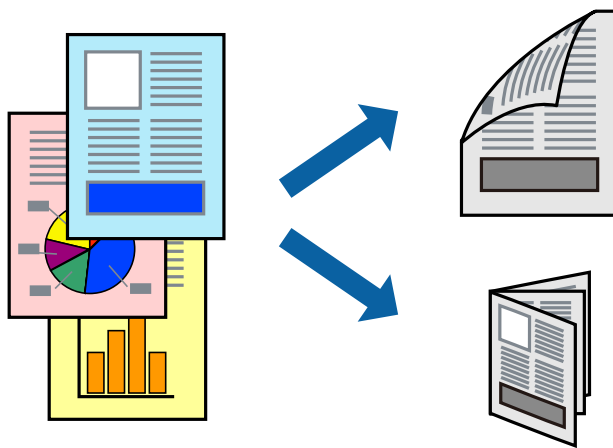
Printing on 2-Sides

You can use either of the following methods to print on both sides of the paper.

- Automatic 2-sided printing
- Manual 2-sided printing (for Windows only)

When the printer has finished printing the first side, flip the paper over to print on the other side.

You can also print a booklet that can be created by folding the printout. (For Windows only)



Note:

- If you do not use paper that is suitable for 2-sided printing, the print quality may decline and paper jams may occur.
- Depending on the paper and the data, ink may bleed through to the other side of the paper.

Related Information

➔ [“Available Paper and Capacities” on page 26](#)

Printing on 2-Sides - Windows

Note:

- Manual 2-sided printing is available when **EPSON Status Monitor 3** is enabled. If **EPSON Status Monitor 3** is disabled, access the printer driver, click **Extended Settings** on the **Maintenance** tab, and then select **Enable EPSON Status Monitor 3**.
- Manual 2-sided printing may not be available when the printer is accessed over a network or is used as a shared printer.

1. Load paper in the printer.
2. Open the file you want to print.
3. Access the printer driver window.
4. Select **Auto (Long-edge binding)**, **Auto (Short-edge binding)**, **Manual (Long-edge binding)**, or **Manual (Short-edge binding)** from **2-Sided Printing** on the **Main** tab.

Printing

- Click **Settings**, make the appropriate settings, and then click **OK**.

Note:

To print a folded booklet, select **Booklet**.

- Click **Print Density**, select the document type from **Select Document Type**, and then click **OK**.

The printer driver automatically sets the **Adjustments** options for that document type.

Note:

Printing may be slow depending on the combination of options selected for **Select Document Type** in the **Print Density Adjustment** window and for **Quality** on the **Main** tab.

For manual 2-sided printing, the **Print Density Adjustment** setting is not available.

- Set the other items on the **Main** and **More Options** tabs as necessary, and then click **OK**.

- Click **Print**.

For manual 2-sided printing, when the first side has finished printing, a pop-up window is displayed on the computer. Follow the on-screen instructions.

Related Information

- ➔ [“Loading Paper in the Paper Cassette” on page 28](#)
- ➔ [“Loading Paper in the Rear Paper Feed” on page 31](#)
- ➔ [“Printing Basics - Windows” on page 34](#)

Printing on 2-Sides - Mac OS X

- Load paper in the printer.
- Open the file you want to print.
- Access the print dialog.
- Select **Two-sided Printing Settings** from the pop-up menu.
- Select the bindings and **Document Type**.

Note:

Printing may be slow depending on the **Document Type** setting.

If you are printing high-density data such as photos or graphs, select **Text & Graphics** or **Text & Photos** as the **Document Type** setting. If scuffing occurs or the image bleeds through to the reverse side, adjust the print density and ink drying time by clicking the arrow mark next to **Adjustments**.

- Set the other items as necessary.
- Click **Print**.

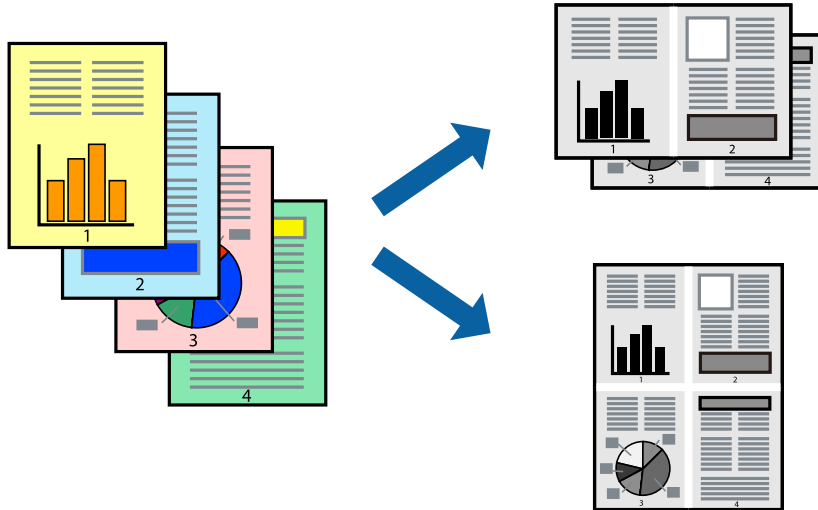
Related Information

- ➔ [“Loading Paper in the Paper Cassette” on page 28](#)
- ➔ [“Loading Paper in the Rear Paper Feed” on page 31](#)
- ➔ [“Printing Basics - Mac OS X” on page 35](#)

Printing

Printing Several Pages on One Sheet

You can print two or four pages of data on a single sheet of paper.



Printing Several Pages on One Sheet - Windows

1. Load paper in the printer.
2. Open the file you want to print.
3. Access the printer driver window.
4. Select **2-Up** or **4-Up** as the **Multi-Page** setting on the **Main** tab.
5. Click **Page Order**, make the appropriate settings, and then click **OK** to close the window.
6. Set the other items on the **Main** and **More Options** tabs as necessary, and then click **OK**.
7. Click **Print**.

Related Information

- ➔ [“Loading Paper in the Paper Cassette” on page 28](#)
- ➔ [“Loading Paper in the Rear Paper Feed” on page 31](#)
- ➔ [“Printing Basics - Windows” on page 34](#)

Printing Several Pages on One Sheet - Mac OS X

1. Load paper in the printer.
2. Open the file you want to print.
3. Access the print dialog.
4. Select **Layout** from the pop-up menu.

Printing

5. Set the number of pages in **Pages per Sheet**, the **Layout Direction** (page order), and **Border**.
6. Set the other items as necessary.
7. Click **Print**.

Related Information

- ➔ [“Loading Paper in the Paper Cassette” on page 28](#)
- ➔ [“Loading Paper in the Rear Paper Feed” on page 31](#)
- ➔ [“Printing Basics - Mac OS X” on page 35](#)

Printing to Fit the Paper Size

You can print to fit the paper size you loaded in the printer.



Printing to Fit the Paper Size - Windows

1. Load paper in the printer.
 2. Open the file you want to print.
 3. Access the printer driver window.
 4. Make the following settings on the **More Options** tab.
 - Document Size: Select the paper size you set in the application.
 - Output Paper: Select the paper size you loaded in the printer.
 - Fit to Page** is selected automatically.
- Note:**
*If you want to print a reduced image at the center of the page, select **Center**.*
5. Set the other items on the **Main** and **More Options** tabs as necessary, and then click **OK**.
 6. Click **Print**.

Printing

Related Information

- ➔ [“Loading Paper in the Paper Cassette” on page 28](#)
- ➔ [“Loading Paper in the Rear Paper Feed” on page 31](#)
- ➔ [“Printing Basics - Windows” on page 34](#)

Printing to Fit the Paper Size - Mac OS X

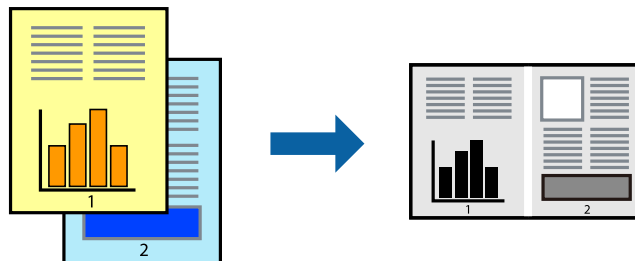
1. Load paper in the printer.
2. Open the file you want to print.
3. Access the print dialog.
4. Select the size of the paper you set in the application as the **Paper Size** setting.
5. Select **Paper Handling** from the pop-up menu.
6. Select **Scale to fit paper size**.
7. Select the paper size you loaded in the printer as the **Destination Paper Size** setting.
8. Set the other items as necessary.
9. Click **Print**.

Related Information

- ➔ [“Loading Paper in the Paper Cassette” on page 28](#)
- ➔ [“Loading Paper in the Rear Paper Feed” on page 31](#)
- ➔ [“Printing Basics - Mac OS X” on page 35](#)

Printing Multiple Files Together (for Windows Only)

Job Arranger Lite allows you to combine several files created by different applications and print them as a single print job. You can specify the print settings for combined files, such as layout, print order, and orientation.



Note:

To open a **Print Project** saved in **Job Arranger Lite**, click **Job Arranger Lite** on the printer driver's **Maintenance** tab. Next, select **Open** from the **File** menu to select the file. The extension of the saved files is ".ecl".

1. Load paper in the printer.

Printing

2. Open the file you want to print.
3. Access the printer driver window.
4. Select **Job Arranger Lite** on the **Main** tab.
5. Click **OK** to close the printer driver window.
6. Click **Print**.

The **Job Arranger Lite** window is displayed and the print job is added to the **Print Project**.

7. With the **Job Arranger Lite** window opened, open the file that you want to combine with the current file, and then repeat steps 3 to 6.

Note:

*If you close the **Job Arranger Lite** window, the unsaved **Print Project** is deleted. To print later, select **Save** from the **File** menu.*

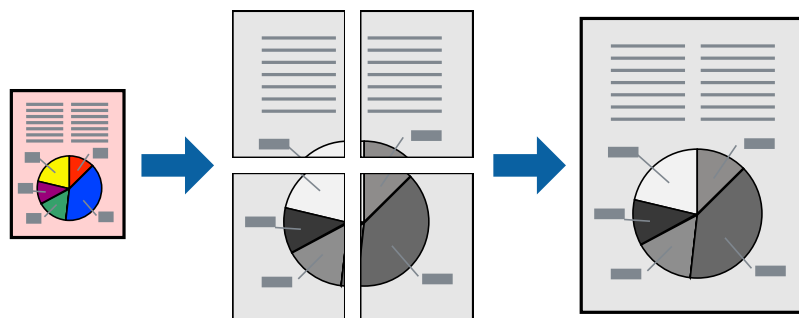
8. Select the **Layout** and **Edit** menus in **Job Arranger Lite** to edit the **Print Project** as necessary.
9. Select **Print** from the **File** menu.

Related Information

- ➔ [“Loading Paper in the Paper Cassette” on page 28](#)
- ➔ [“Loading Paper in the Rear Paper Feed” on page 31](#)
- ➔ [“Printing Basics - Windows” on page 34](#)

Enlarged Printing and Making Posters (for Windows Only)

You can print one image on multiple sheets of paper to create a larger poster. You can print alignment marks that help you stick the sheets together.



1. Load paper in the printer.
2. Open the file you want to print.
3. Access the printer driver window.
4. Select **2x1 Poster**, **2x2 Poster**, **3x3 Poster**, or **4x4 Poster** from **Multi-Page** on the **Main** tab.
5. Click **Settings**, make the appropriate settings, and then click **OK**.

Printing

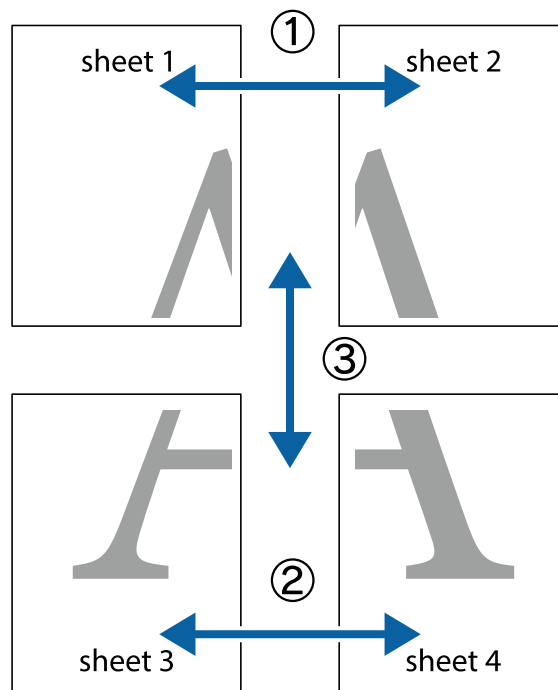
6. Set the other items on the **Main** and **More Options** tabs as necessary, and then click **OK**.
7. Click **Print**.

Related Information

- ➔ [“Loading Paper in the Paper Cassette” on page 28](#)
- ➔ [“Loading Paper in the Rear Paper Feed” on page 31](#)
- ➔ [“Printing Basics - Windows” on page 34](#)

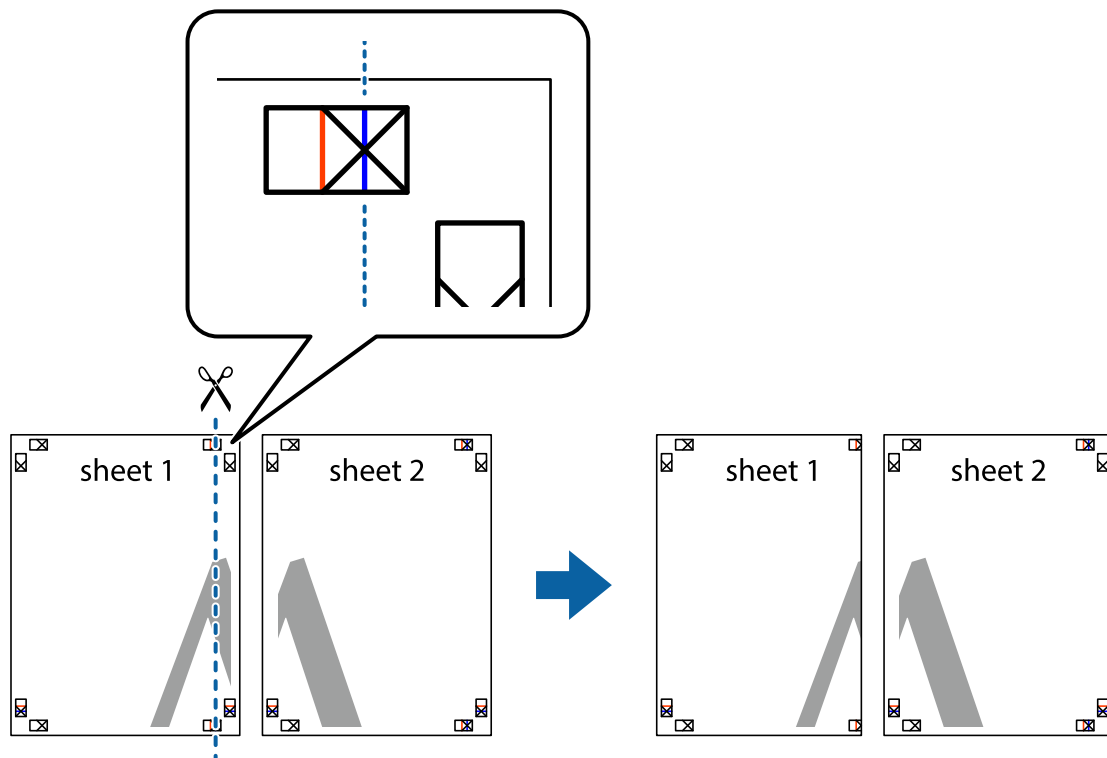
Making Posters Using Overlapping Alignment Marks

Here is an example of how to make a poster when **2x2 Poster** is selected, and **Overlapping Alignment Marks** is selected in **Print Cutting Guides**.

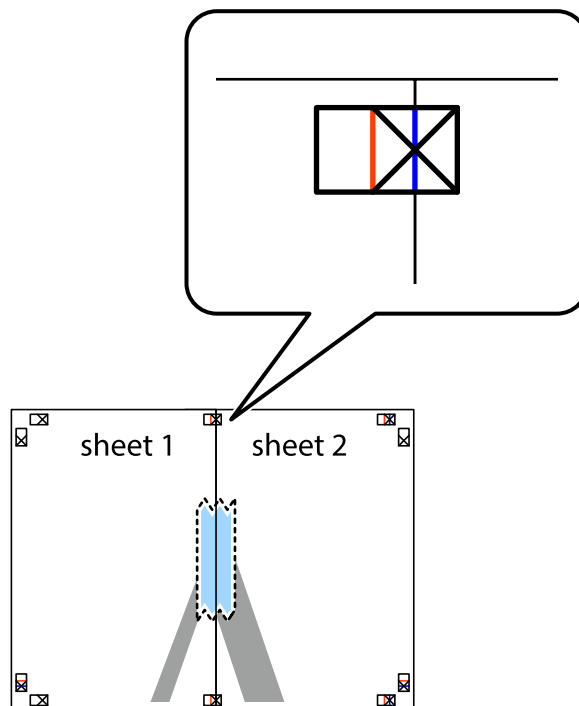


Printing

1. Prepare Sheet 1 and Sheet 2. Cut off the margins of Sheet 1 along the vertical blue line through the center of the top and bottom cross marks.

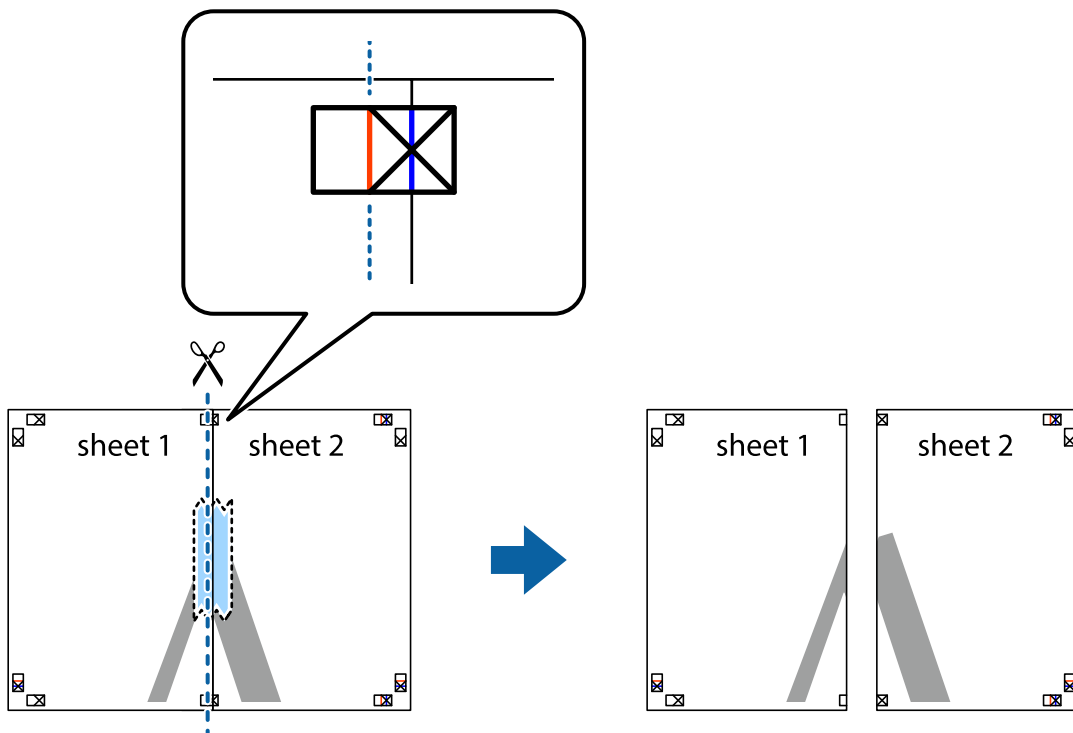


2. Place the edge of Sheet 1 on top of Sheet 2 and align the cross marks, then temporarily tape the two sheets together from the back.

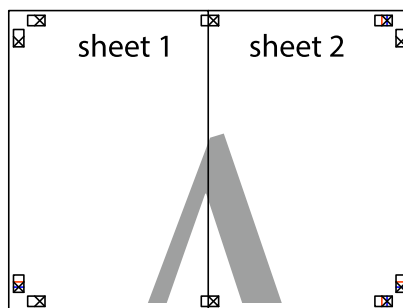


Printing

- Cut the taped sheets in two along the vertical red line through the alignment markers (this time, the line to the left of the cross marks).



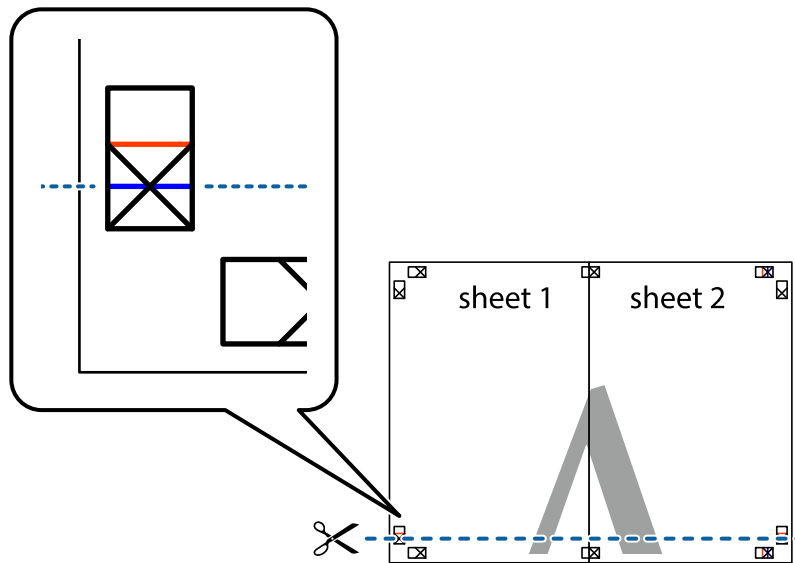
- Tape the sheets together from the back.



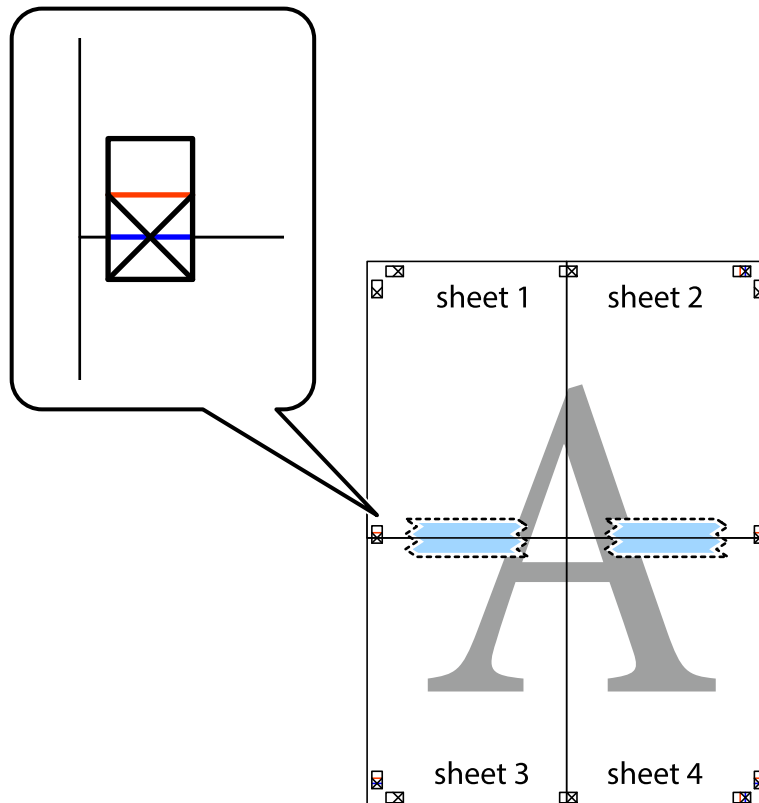
- Repeat steps 1 to 4 to tape Sheet 3 and Sheet 4 together.

Printing

6. Cut off the margins of Sheet 1 and Sheet 2 along the horizontal blue line through the center of the left and right side cross marks.

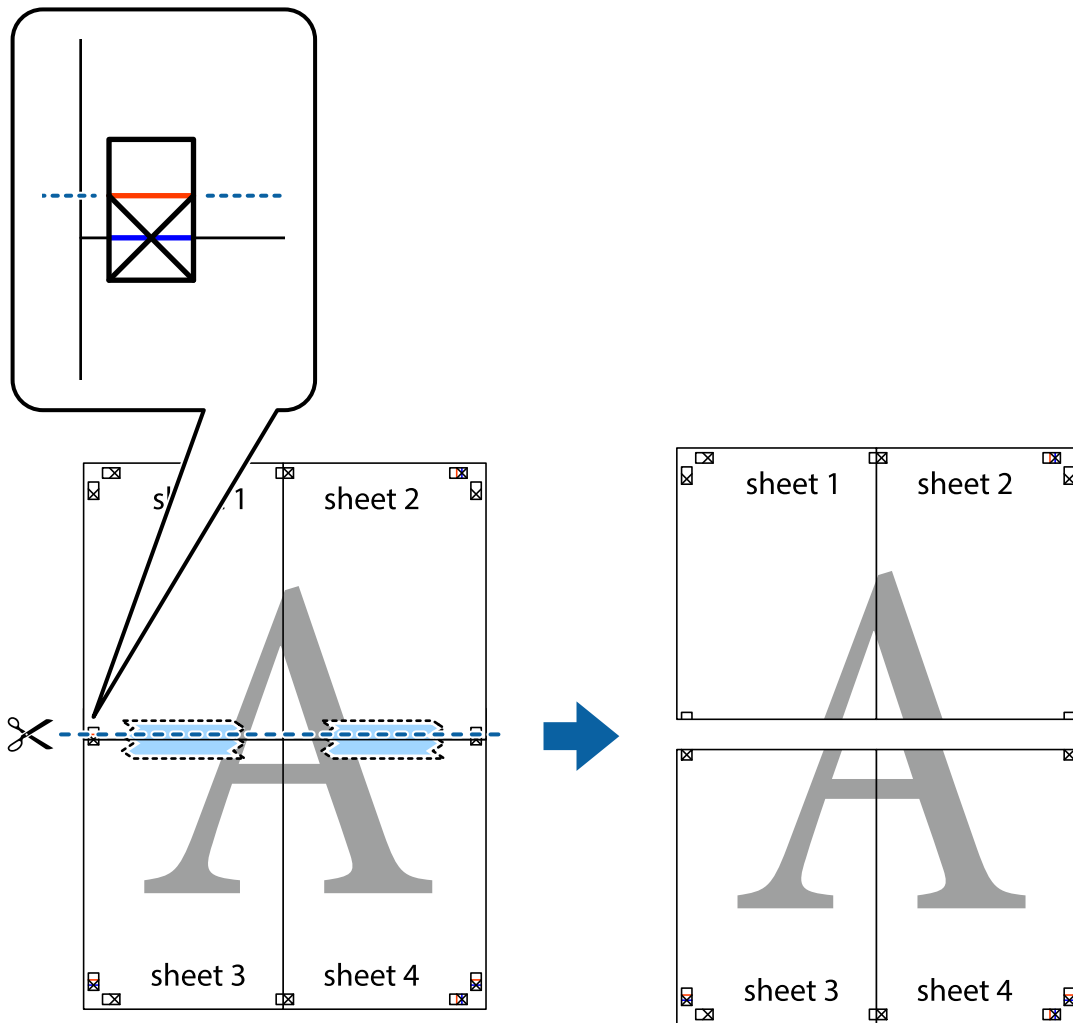


7. Place the edge of Sheet 1 and Sheet 2 on top of Sheet 3 and Sheet 4 and align the cross marks, and then temporarily tape them together from the back.

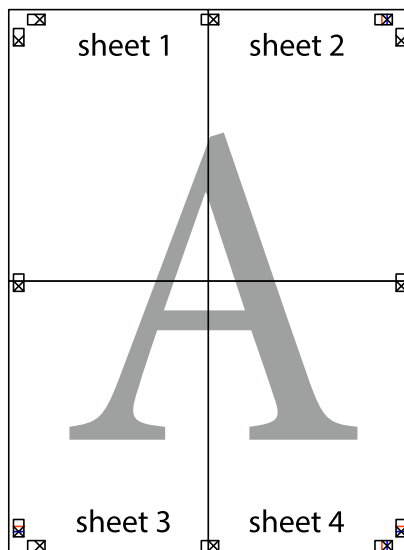


Printing

- Cut the taped sheets in two along the horizontal red line through the alignment markers (this time, the line above the cross marks).

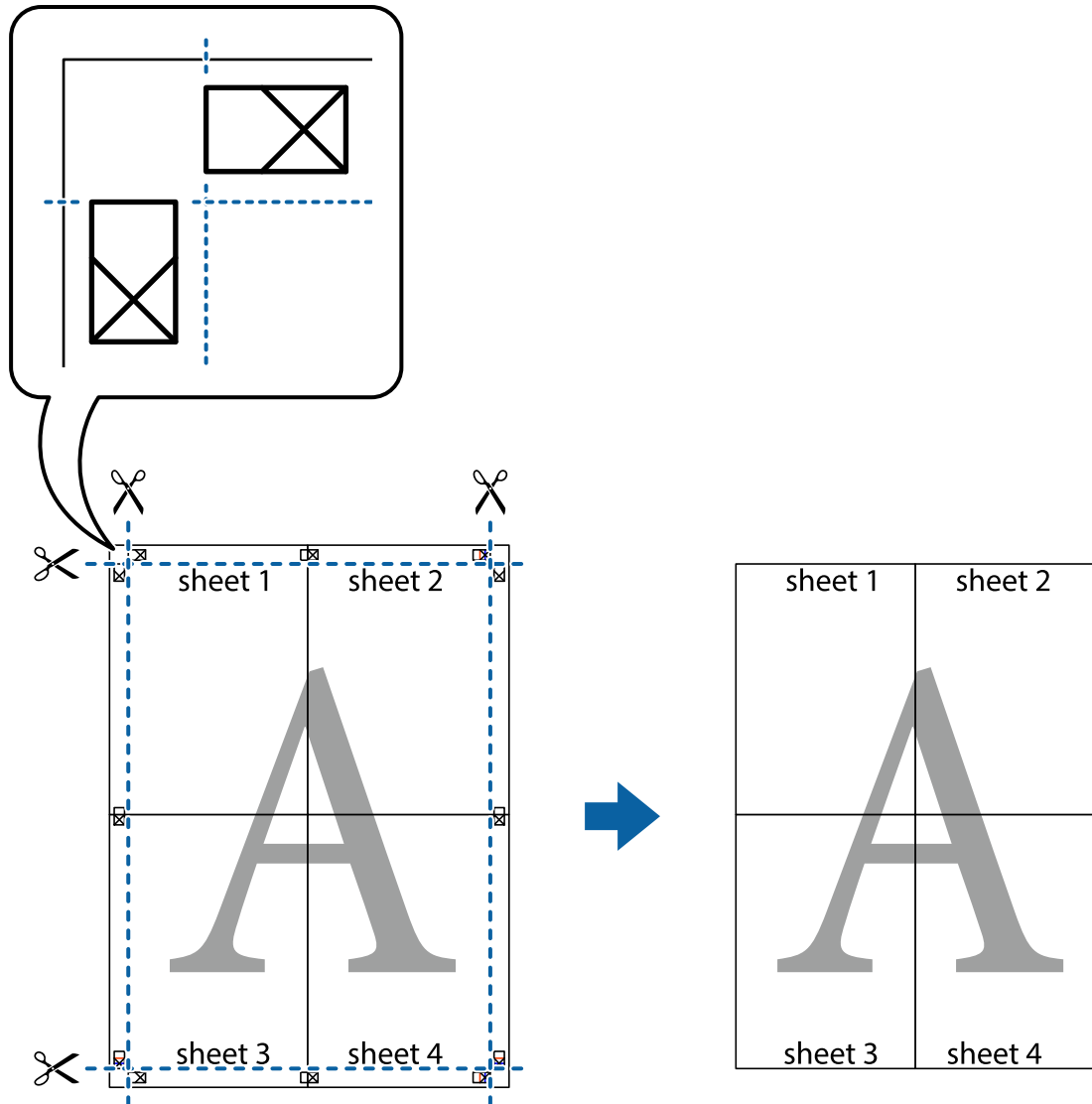


- Tape the sheets together from the back.



Printing

10. Cut off the remaining margins along the outer guide.



Printing Using Advanced Features

This section introduces a variety of additional layout and printing features available on the printer driver.

Related Information

- ➔ [“Windows Printer Driver” on page 71](#)
- ➔ [“Mac OS X Printer Driver” on page 72](#)

Adding a Printing Preset

If you create your own preset of frequently used print settings on the printer driver, you can print easily by selecting the preset from the list.

Printing

Windows

To add your own preset, set items such as the **Document Size** and **Paper Type** on the **Main** or **More Options** tab, and then click **Add/Remove Presets** in **Printing Presets**.

Mac OS X

Access the print dialog. To add your own preset, set items such as the **Paper Size** and **Media Type**, and then save the current settings as the preset in the **Presets** setting.

Printing a Reduced or Enlarged Document

You can reduce or enlarge the size of a document by a specific percentage.

Windows

Set the **Document Size** on the **More Options** tab. Select **Reduce/Enlarge Document, Zoom to**, and then enter a percentage.

Mac OS X

Select **Page Setup** from the **File** menu. Select the settings for **Format For** and **Paper Size**, and then enter a percentage in **Scale**. Close the window, and then print following the basic printing instructions.

Related Information

➔ [“Printing Basics - Mac OS X” on page 35](#)

Printing an Anti-Copy Pattern (for Windows Only)

You can print documents with invisible letters such as "Copy". These letters appear when the document is photocopied so that the copies can be distinguished from the original. You can also add your own anti-copy pattern.

Note:

This feature is only available when the following settings are selected.

- Paper Type: plain papers*
- Quality: Standard*
- Auto 2-sided printing: Disabled*
- Color Correction: Automatic*

Click **Watermark Features** on the **More Options** tab, and then select an anti-copy pattern. Click **Settings** to change details such as the size and density.

Printing a Watermark (for Windows Only)

You can print a watermark such as "Confidential" on your printouts. You can also add your own watermark.

Click **Watermark Features** on the **More Options** tab, and then select a watermark. Click **Settings** to change details such as the density and position of the watermark.

Printing

Printing a Header and Footer (for Windows Only)

You can print information such as a user name and printing date as headers or footers.

Click **Watermark Features** in the **More Options** tab, and then select **Header/Footer**. Click **Settings** and select necessary items from the drop-down list.

Setting a Password for a Print Job (for Windows Only)

You can set a password for a print job to prevent printing until the password is entered on the printer's control panel.

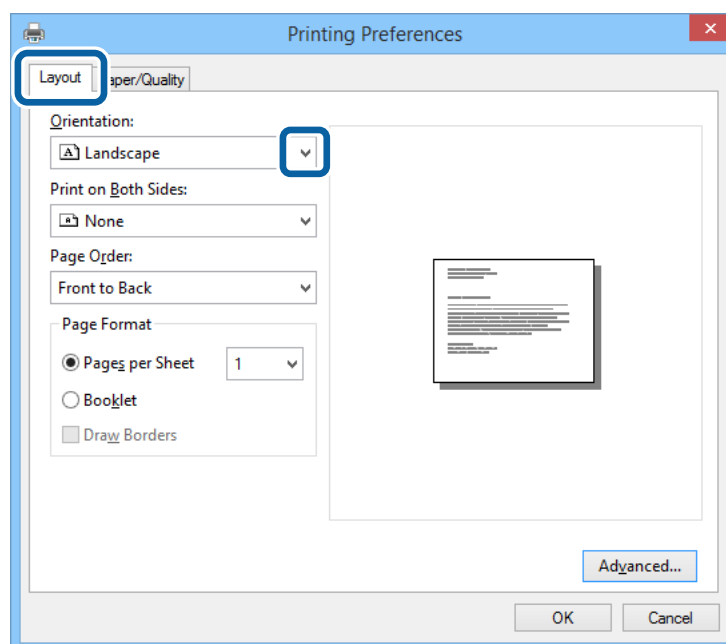
Select **Confidential Job** on the **More Options** tab, and then enter a password.

To print the job, enter **Menu** from the printer's home screen, and then select **Confidential Job**. Select the job and enter the password.

Printing Using a PostScript Printer Driver

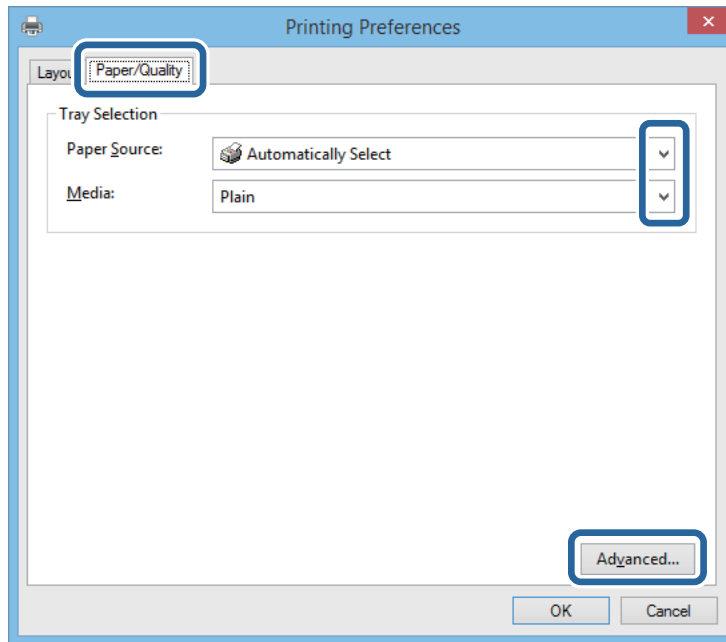
Printing Using a PostScript Printer Driver - Windows

1. Load paper in the printer.
2. Open the file you want to print.
3. Access the PostScript printer driver window.
4. Select the orientation you set in the application as the **Orientation** on the **Layout** tab.



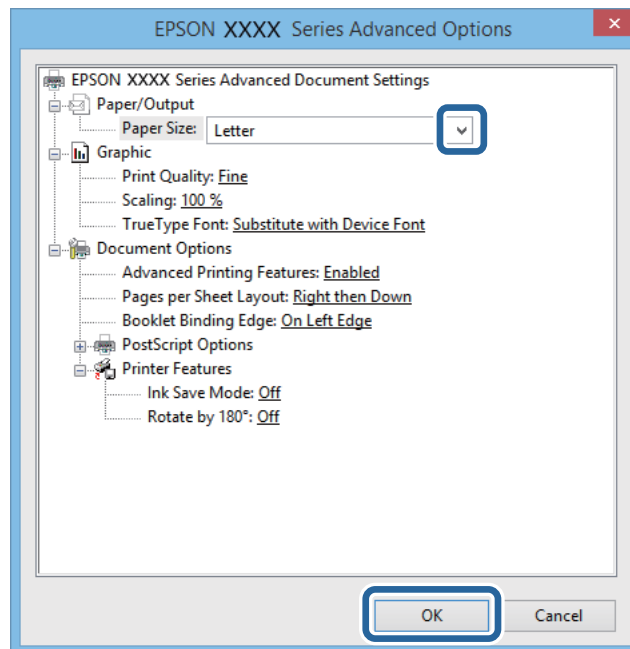
Printing

5. Make the following settings on the **Paper/Quality** tab.



- ❑ Paper Source: Select the paper source in which you loaded the paper.
- ❑ Media: Select the type of paper you loaded.

6. Click **Advanced**, select the paper size you loaded in the printer as the **Paper Size** setting, and then click **OK**.

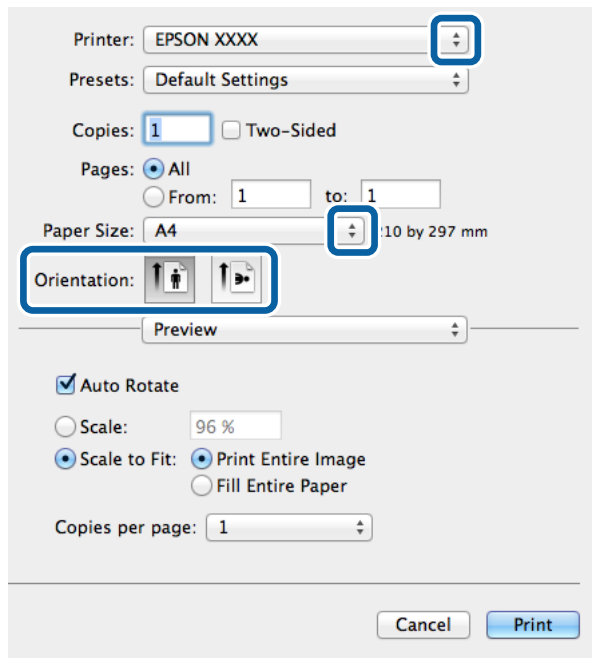


7. Click **OK**.
8. Click **Print**.

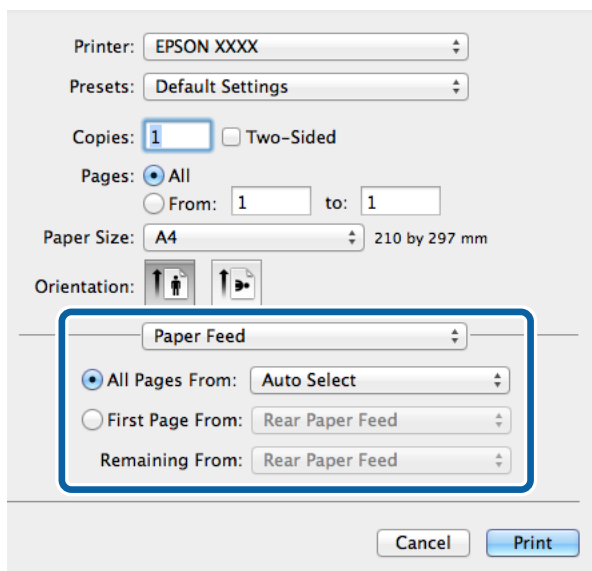
Printing

Printing Using a PostScript Printer Driver - Mac OS X

1. Load paper in the printer.
2. Open the file you want to print.
3. Access the print dialog.

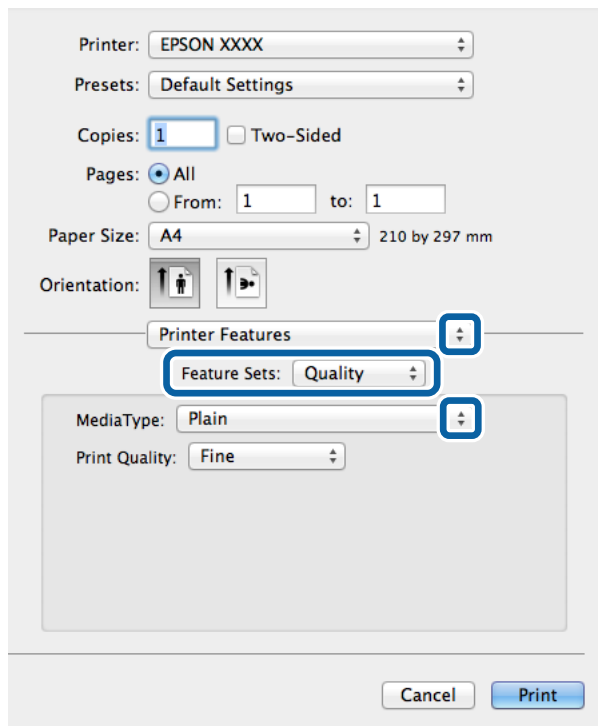


4. Make the following settings.
 - Printer: Select your printer.
 - Paper Size: Select the paper size you loaded in the printer.
 - Orientation: Select the orientation you set in the application.
5. Select **Paper Feed** from the pop-up menu, and then select the paper source in which you loaded the paper.



Printing

6. Select **Printer Features** from the pop-up menu, select **Quality** as the **Feature Sets** setting, and then select the type of paper you loaded as the **Media Type** setting.



7. Click **Print**.

Setting Items for the PostScript Printer Driver

Note:

The availability of these settings varies by model.

Ink Save Mode	Conserves ink by reducing the print density.
Rotate by 180°	Rotates the data 180 degrees before printing.

Printing from Smart Devices

Using Epson iPrint

Epson iPrint is an application that allows you to print photos, documents, and web pages from a smart device such as a smartphone or tablet. You can use local print, printing from a smart device that is connected to the same

Printing

wireless network as your printer, or remote print, printing from a remote location over the Internet. To use remote print, register your printer in the Epson Connect service.



Related Information

➔ “Epson Connect Service” on page 69

Installing Epson iPrint

You can install Epson iPrint on your smart device from the following URL or QR code.

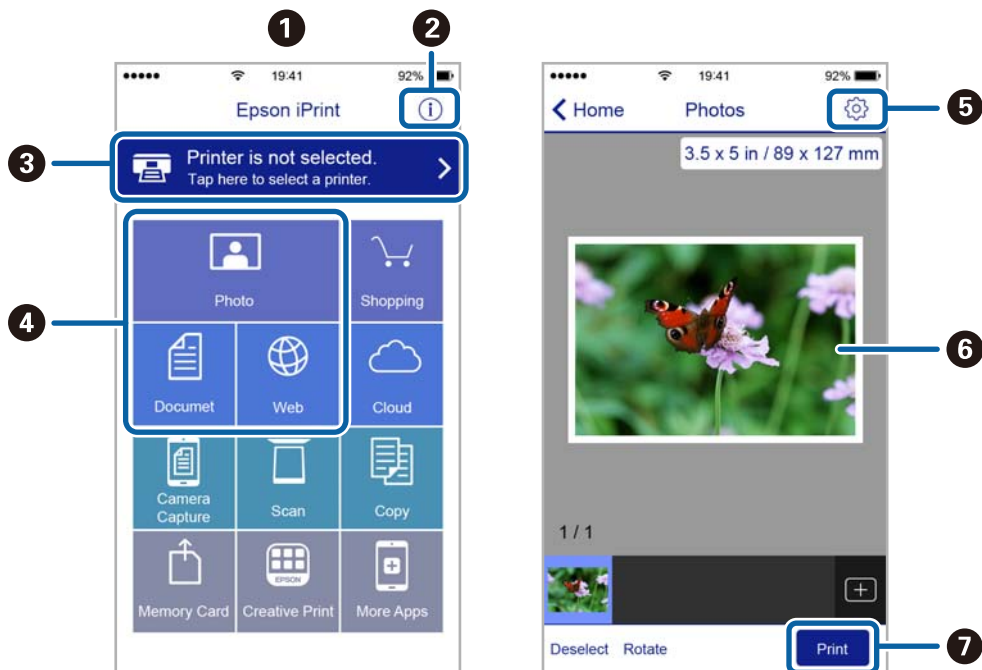
<http://ipr.to/c>



Printing Using Epson iPrint

Start Epson iPrint from your smart device and select the item you want to use from the home screen.

The following screens are subject to change without notice.



Printing

①	Home screen displayed when the application is started.
②	Displays information on how to setup the printer and a FAQ.
③	Displays the screen where you can select the printer and make printer settings. Once you have selected the printer, you do not need to select it again from the next time.
④	Select what you want to print such as photos, documents, and web pages.
⑤	Displays the screen to make print settings such as paper size and paper type.
⑥	Displays photos and documents you selected.
⑦	Starts printing.

Note:

To print from the document menu using iPhone, iPad, and iPod touch running iOS, start Epson iPrint after transferring the document you want to print using the file sharing function in iTunes.

Using AirPrint

AirPrint allows you to wirelessly print to your AirPrint-enabled printer from your iOS device using the latest version of iOS and from your Mac OS X v10.7.x or later.



Note:

See the AirPrint page of the Apple website for more details.

1. Load paper in the printer.
2. Connect your device to the same wireless network that your printer is using.
3. Print from your device to your printer.

Related Information


- ➔ [“Loading Paper in the Paper Cassette” on page 28](#)
- ➔ [“Loading Paper in the Rear Paper Feed” on page 31](#)

Canceling Printing

Note:

- ❑ *In Windows, you cannot cancel a print job from the computer once it has been completely sent to the printer. In this case, cancel the print job by using the printer's control panel.*
- ❑ *When printing several pages from Mac OS X, you cannot cancel all of the jobs by using the control panel. In this case, cancel the print job from the computer.*
- ❑ *If you have sent a print job from Mac OS X v10.6.8 through the network, you may not be able to cancel printing from the computer. In this case, cancel the print job by using the printer's control panel. You need to change settings in Web Config to cancel printing from the computer. See the Network Guide for more details.*

Canceling Printing - Printer Button

Press the  button to cancel the print job in progress.


Canceling Printing - Windows

1. Access the printer driver window.
2. Select the **Maintenance** tab.
3. Click **Print Queue**.
4. Right-click on the job you want to cancel and then select **Cancel**.

Related Information

➔ [“Windows Printer Driver” on page 71](#)

Canceling Printing - Mac OS X

1. Click the printer icon in the **Dock**.
2. Select the job you want to cancel.
3. Cancel the job.
 - ❑ Mac OS X v10.8.x to Mac OS X v10.9.x
Click  next to the progress meter.
 - ❑ Mac OS X v10.6.8 to v10.7.x
Click **Delete**.

Replacing Ink Cartridges and Other Consumables

Checking the Status of the Remaining Ink and the Maintenance Box

You can check the approximate ink levels and the approximate service life of the maintenance box from the control panel or the computer.

Checking the Status of the Remaining Ink and the Maintenance Box - Control Panel

1. Enter **Menu** from the home screen.
2. Select **Ink Level**.

Note:

The indicator on the far right indicates the available space in the maintenance box.

Checking the Status of the Remaining Ink and the Maintenance Box - Windows

1. Access the printer driver window.
2. Click **EPSON Status Monitor 3** on the **Maintenance** tab, and then click **Details**.


Note:

*If EPSON Status Monitor 3 is disabled, click **Extended Settings** on the **Maintenance** tab, and then select **Enable EPSON Status Monitor 3**.*

Related Information

➔ [“Windows Printer Driver” on page 71](#)

Checking the Status of the Remaining Ink and the Maintenance Box - Mac OS X

1. Select **System Preferences** from the  menu > **Printers & Scanners** (or **Print & Scan, Print & Fax**), and then select the printer.
2. Click **Options & Supplies** > **Utility** > **Open Printer Utility**.
3. Click **EPSON Status Monitor**.

Ink Cartridge Codes

Epson recommends the use of genuine Epson ink cartridges. Epson cannot guarantee the quality or reliability of non-genuine ink. The use of non-genuine ink may cause damage that is not covered by Epson's warranties, and under certain circumstances, may cause erratic printer behavior. Information about non-genuine ink levels may not be displayed.

The following are the codes for genuine Epson ink cartridges.

Black: T8651, T8661

Note:

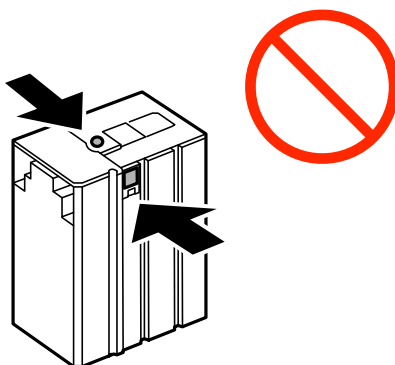
- Not all cartridges are available in all regions.
- For users in Europe, visit the following website for information on Epson's ink cartridge yields.
<http://www.epson.eu/pageyield>

Ink Cartridge Handling Precautions

Read the following instructions before replacing ink cartridges.

Handling precautions

- Store ink cartridges at normal room temperature and keep them away from direct sunlight.
- Epson recommends using the ink cartridge before the date printed on the package.
- For best results, use up ink cartridge within six months of installation.
- After bringing an ink cartridge inside from a cold storage site, allow it to warm up at room temperature for at least three hours before using it.
- Do not touch the sections shown in the illustration. Doing so may prevent normal operation and printing.



- Do not move the print head by hand; otherwise, you may damage the printer.
- Do not turn off the printer during ink charging. If the ink charging is incomplete, you may not be able to print.
- Do not leave the printer with the ink cartridge removed; otherwise, ink remaining in the print head nozzles may dry out and you may not be able to print.
- If you need to remove an ink cartridge temporarily, make sure you protect the ink supply area from dirt and dust. Store the ink cartridge in the same environment as the printer. Because the ink supply port is equipped with a valve designed to contain the release of excess ink, there is no need to supply your own covers or plugs.

Replacing Ink Cartridges and Other Consumables

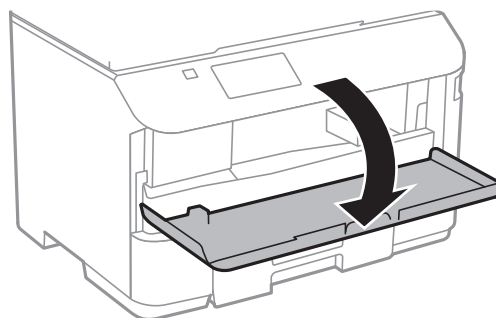
- ❑ Removed ink cartridges may have ink around the ink supply port, so be careful not to get any ink on the surrounding area when removing the cartridges.
- ❑ This printer uses ink cartridges equipped with a green chip that monitors information such as the amount of remaining ink for each cartridge. This means that even if the cartridge is removed from the printer before it is expended, you can still use the cartridge after reinserting it back into the printer.
- ❑ To ensure you receive premium print quality and to help protect your print head, a variable ink safety reserve remains in the cartridge when your printer indicates to replace the cartridge. The yields quoted for you do not include this reserve.
- ❑ Although the ink cartridges may contain recycled materials, this does not affect printer function or performance.
- ❑ Specifications and appearance of the ink cartridge are subject to change without prior notice for improvement.
- ❑ Do not disassemble or remodel the ink cartridge, otherwise you may not be able to print normally.
- ❑ Do not drop or knock it against hard objects; otherwise, the ink may leak.
- ❑ You cannot use the cartridge that came with the printer for the replacement.
- ❑ Quoted yields may vary depending on the images that you are printing, the paper type that you are using, the frequency of your prints and environmental conditions such as temperature.

Consumption of Ink

- ❑ To maintain optimum print head performance, some ink is consumed from the cartridge not only during printing but also during maintenance operations such as print head cleaning.
- ❑ The ink in the ink cartridge supplied with your printer is partly used during initial setup. In order to produce high quality printouts, the print head in your printer will be fully charged with ink. This one-off process consumes a quantity of ink and therefore this cartridge may print fewer pages compared to subsequent ink cartridges.

Replacing Ink Cartridges

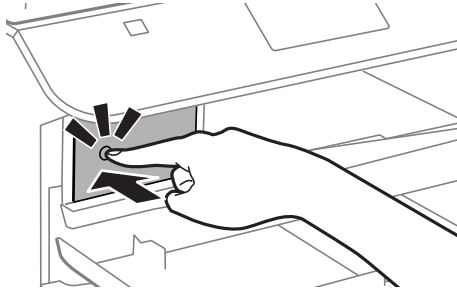
1. Open the front cover.



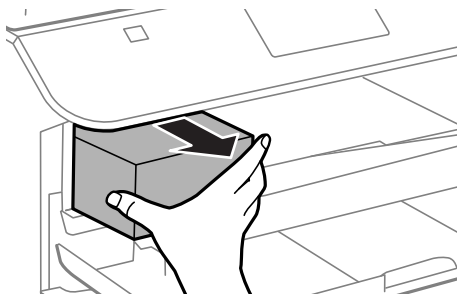
Replacing Ink Cartridges and Other Consumables

2. Push the ink cartridge that you want to replace.

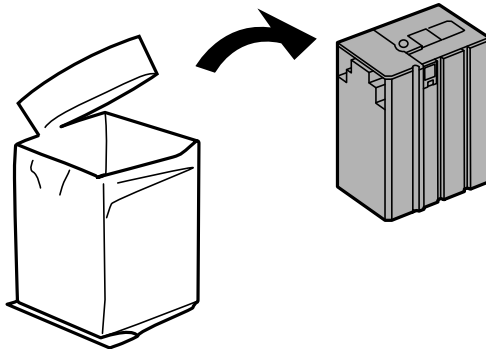
The ink cartridge will pop out slightly.



3. Remove the ink cartridge from the printer.

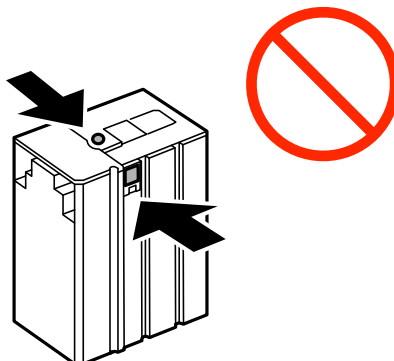


4. Remove the new ink cartridge from its package.



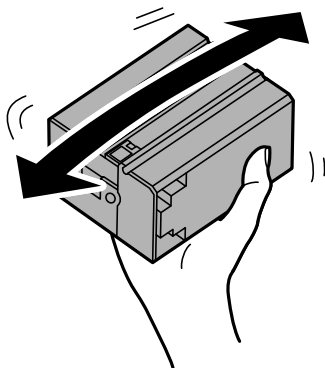
Important:

Do not touch the sections shown in the illustration. Doing so may prevent normal operation and printing.



Replacing Ink Cartridges and Other Consumables

5. Shake the ink cartridge horizontally for 5 seconds, moving it back and forth about 10 cm 15 times.



6. Insert the cartridge into the printer until it clicks.

Note:

If **Cartridge Check** is displayed on the control panel, press the OK button to check if the cartridges are installed correctly.

7. Close the front cover.

Related Information

- ➔ [“Ink Cartridge Codes” on page 58](#)
- ➔ [“Ink Cartridge Handling Precautions” on page 58](#)

Maintenance Box Code

Epson recommends the use of a genuine Epson maintenance box.

The following is the code for the genuine Epson maintenance box.

T6710

Maintenance Box Handling Precautions

Read the following instructions before replacing the maintenance box.

- Do not touch the green chip on the side of the maintenance box. Doing so may prevent normal operation and printing.
- Do not tilt the used maintenance box until after it is sealed in the plastic bag; otherwise ink may leak.
- Keep the maintenance box out of direct sunlight.
- Do not replace the maintenance box during printing; otherwise, ink may leak.
- Do not reuse a maintenance box which has been removed and left detached for a long period. Ink inside the box will have solidified and no more ink can be absorbed.

Replacing a Maintenance Box

In some print cycles a very small amount of surplus ink may be collected in the maintenance box. To prevent ink leakage from the maintenance box, the printer is designed to stop printing when the absorbing capacity of the maintenance box has reached its limit. Whether and how often this is required will vary according to the number of pages you print, the type of material that you print and the number of cleaning cycles that the printer performs. Replace the maintenance box when you are promoted to do so. The Epson Status Monitor, your LCD, or lights on the control panel will advise you when this part needs replacing. The need for replacement of the box does not mean that your printer has ceased to operate in accordance with its specifications. The Epson warranty does not cover the cost of this replacement. It is a user-serviceable part.

1. Remove the new maintenance box from its package.

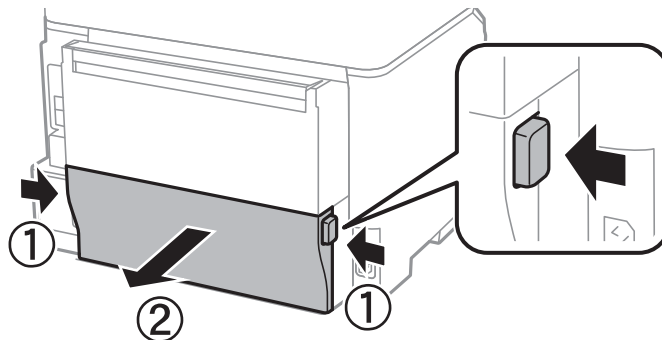
**Important:**

Do not touch the green chip on the side of the maintenance box. Doing so may prevent normal operation and printing.

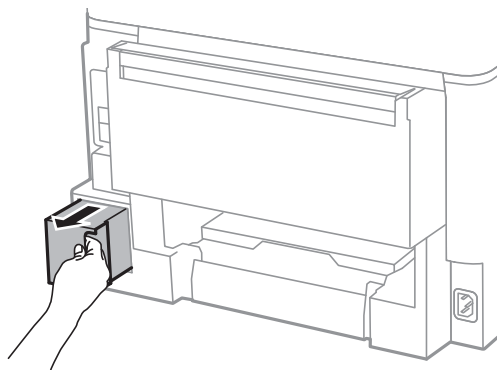
Note:

A transparent bag for the used maintenance box is provided with the new maintenance box.

2. Remove the rear cover.

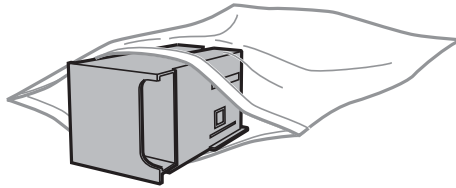


3. Remove the used maintenance box.



Replacing Ink Cartridges and Other Consumables

- Put the used maintenance box in the transparent bag that came with the new maintenance box and seal the bag shut.



Important:

Do not tilt the used maintenance box until after it is sealed in the plastic bag; otherwise ink may leak.

- Insert the new maintenance box all the way into the printer.
- Insert the rear cover.
- Press the OK button.

Related Information

- ➔ [“Maintenance Box Code” on page 61](#)
- ➔ [“Maintenance Box Handling Precautions” on page 61](#)

Improving Print Quality

Checking and Cleaning the Print Head

If the nozzles are clogged, the printouts become faint, or banding may appear. When print quality has declined, use the nozzle check feature and check if the nozzles are clogged. If the nozzles are clogged, clean the print head.

**Important:**

Do not open the front cover or turn off the printer during head cleaning. If the head cleaning is incomplete, you may not be able to print.

Note:

- Because print head cleaning uses some ink, clean the print head only if quality declines.
- When ink is low you may not be able to clean the print head. Replace the appropriate ink cartridge first.
- If print quality has not improved after repeating nozzle check and head cleaning about four times, wait for at least six hours without printing, and then run the nozzle check again and repeat the head cleaning if necessary. We recommend to turn off the printer. If print quality has still not improved, contact Epson support.
- To prevent the print head from drying out, do not unplug the printer while the power is on.
- To keep the print head operating at its best, we recommend printing a few pages on a regular basis.

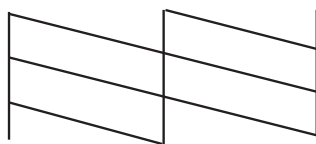
Checking and Cleaning the Print Head - Control Panel

1. Load A4-size plain paper in the printer.
2. Enter **Menu** from the home screen.
3. Select **Maintenance > Print Head Nozzle Check**.
4. Follow the on-screen instructions to print the nozzle check pattern.

Note:

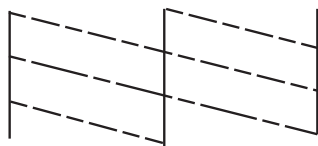
The test pattern may vary by model.

5. Compare the printed check pattern with the sample shown below.
 - All lines are printed: The print head nozzles are not clogged. Close the nozzle check feature.



Improving Print Quality

- ❑ There are broken lines or missing segments: The print head nozzles may be clogged. Go to the next step.



6. Follow the on-screen instructions to clean the print head.
7. When cleaning is finished, print the nozzle check pattern again. Repeat cleaning and printing the pattern until all lines are printed completely.

Related Information

- ➔ [“Loading Paper in the Paper Cassette” on page 28](#)
- ➔ [“Loading Paper in the Rear Paper Feed” on page 31](#)


Checking and Cleaning the Print Head - Windows

1. Load A4-size plain paper in the printer.
2. Access the printer driver window.
3. Click **Nozzle Check** on the **Maintenance** tab.
4. Follow the on-screen instructions.

Related Information

- ➔ [“Loading Paper in the Paper Cassette” on page 28](#)
- ➔ [“Loading Paper in the Rear Paper Feed” on page 31](#)
- ➔ [“Windows Printer Driver” on page 71](#)

Checking and Cleaning the Print Head - Mac OS X

1. Load A4-size plain paper in the printer.
2. Select **System Preferences** from the  menu > **Printers & Scanners** (or **Print & Scan**, **Print & Fax**), and then select the printer.
3. Click **Options & Supplies** > **Utility** > **Open Printer Utility**.
4. Click **Nozzle Check**.
5. Follow the on-screen instructions.

Improving Print Quality

Related Information

- ➔ [“Loading Paper in the Paper Cassette” on page 28](#)
- ➔ [“Loading Paper in the Rear Paper Feed” on page 31](#)

Aligning the Print Head

If you notice a misalignment of vertical lines or blurred images, align the print head.

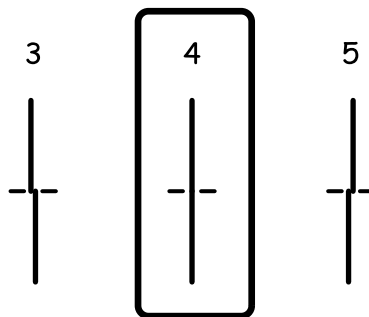
Aligning the Print Head - Control Panel

1. Load A4-size plain paper in the printer.
2. Enter **Menu** from the home screen.
3. Select **Maintenance > Print Head Alignment**.
4. Select one of the alignment menus and follow the on-screen instructions to print a pattern for alignment.
 - Ruled Line Alignment: Select this if vertical lines look misaligned.
 - Vertical Alignment: Select this if your printouts look blurry.
 - Horizontal Alignment: Select this if you see horizontal banding at regular intervals.
5. Follow the on-screen instructions to align the print head.

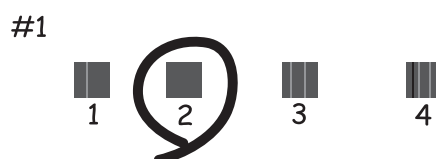
Note:

The alignment patterns may be slightly different from the actual ones, but the procedures are the same.

- Ruled Line Alignment: Find and enter the number for the pattern that has the least misaligned vertical line.



- Vertical Alignment: Find and enter the number for the most solid pattern in each group.



Improving Print Quality

- ❑ Horizontal Alignment: Find and enter the number for the least separated or overlapping pattern in each group.



Related Information

- ➔ [“Loading Paper in the Paper Cassette” on page 28](#)
- ➔ [“Loading Paper in the Rear Paper Feed” on page 31](#)


Aligning the Print Head - Windows

1. Load A4-size plain paper in the printer.
2. Access the printer driver window.
3. Click **Print Head Alignment** on the **Maintenance** tab.
4. Follow the on-screen instructions.

Related Information

- ➔ [“Loading Paper in the Paper Cassette” on page 28](#)
- ➔ [“Loading Paper in the Rear Paper Feed” on page 31](#)
- ➔ [“Windows Printer Driver” on page 71](#)

Aligning the Print Head - Mac OS X

1. Load A4-size plain paper in the printer.
2. Select **System Preferences** from the  menu > **Printers & Scanners** (or **Print & Scan**, **Print & Fax**), and then select the printer.
3. Click **Options & Supplies** > **Utility** > **Open Printer Utility**.
4. Click **Print Head Alignment**.
5. Follow the on-screen instructions.

Improving Print Quality

Related Information

- ➔ [“Loading Paper in the Paper Cassette” on page 28](#)
- ➔ [“Loading Paper in the Rear Paper Feed” on page 31](#)

Improving Horizontal Streaks

If your printouts contain horizontal banding or streaks after trying **Print Head Cleaning** and **Horizontal Alignment**, finely tune the horizontal alignment.

1. Enter **Menu** from the home screen.
2. Select **Maintenance > Improve Horizontal Streaks**.
3. Follow the on-screen instructions to perform horizontal alignment.

Cleaning the Paper Path for Ink Smears

When the printouts are smeared or scuffed, clean the roller inside.

**Important:**

Do not use tissue paper to clean the inside of the printer. The print head nozzles may be clogged with lint.

1. Load A4-size plain paper in the paper source that you want to clean.
2. Enter **Menu** from the home screen.
3. Select **Maintenance > Paper Guide Cleaning**.
4. Select the paper source, and then follow the on-screen instructions to clean the paper path.

Note:

Repeat this procedure until the paper is not smeared with ink. If the printouts are still smeared or scuffed, clean the other paper sources.

Related Information

- ➔ [“Loading Paper in the Paper Cassette” on page 28](#)
- ➔ [“Loading Paper in the Rear Paper Feed” on page 31](#)

Applications and Network Service Information

Epson Connect Service

By using Epson Connect service available on the Internet, you can print from your smartphone, tablet PC, or laptop, anytime and practically anywhere.

The features available on the Internet are as follows.

Email Print	Epson iPrint remote print	Scan to Cloud	Remote Print Driver
✓	✓	-	✓

See the Epson Connect portal website for details.

<https://www.epsonconnect.com/>

<http://www.epsonconnect.eu> (Europe only)

Web Config

Web Config is an application that runs on a Web browser, such as Internet Explorer and Chrome, from a computer or smart device. You can confirm the printer status or change the network service and printer settings. To use Web Config, connect the computer or device to the same network as the printer.

Note:

The following browsers are supported.

OS	Browser
Windows XP or later	Internet Explorer 8 or later, Firefox*, Chrome*
Mac OS X v10.5.8 or later	Safari*, Firefox*, Chrome*
iOS*	Safari*
Android 2.3 or later	Default browser
Chrome OS*	Default browser

* Use the latest version.

Running Web Config on a Web Browser

1. Check the printer's IP address.

Select **Menu** > **Network Status** > **Wi-Fi/Network Status** from the home screen, and then check the printer's IP address.

Applications and Network Service Information

2. Launch a Web browser from a computer or smart device, and then enter the printer's IP address.

Format:

IPv4: http://the printer's IP address/

IPv6: http://[the printer's IP address]/

Examples:

IPv4: http://192.168.100.201/

IPv6: http://[2001:db8::1000:1]/

Note:

Using the smart device, you can also run Web Config from the maintenance screen of Epson iPrint.

Related Information


- ➔ [“Printing Using Epson iPrint” on page 54](#)

Running Web Config on Windows

When connecting a computer to the printer using WSD, follow the steps below to run Web Config.

1. Access the devices and printers screen in Windows.
 - Windows 8.1/Windows 8/Windows Server 2012 R2/Windows Server 2012
Select **Desktop > Settings > Control Panel > View devices and printers in Hardware and Sound (or Hardware)**.
 - Windows 7/Windows Server 2008 R2
Click the start button, and select **Control Panel > View devices and printers in Hardware and Sound**.
 - Windows Vista/Windows Server 2008
Click the start button, and select **Control Panel > Printers in Hardware and Sound**.
2. Right-click on your printer and select **Properties**.
3. Select the **Web Service** tab and click the URL.

Running Web Config on Mac OS X

1. Select **System Preferences** from the  menu > **Printers & Scanners (or Print & Scan, Print & Fax)**, and then select the printer.
2. Click **Options & Supplies > Show Printer Webpage**.

Necessary Applications

Windows Printer Driver

The printer driver is an application that controls the printer according to the print commands from other applications. Making settings on the printer driver provides the best printing results. You can also check the status of the printer or keep it in top operating condition using the printer driver utility.

Note:

You can change the language of the printer driver. Select the language you want to use from the **Language** setting on the **Maintenance** tab.

Accessing the printer driver from applications

To make settings that apply only to the application you are using, access from that application.

Select **Print** or **Print Setup** from the **File** menu. Select your printer, and then click **Preferences** or **Properties**.

Note:

Operations differ depending on the application. See the application's help for details.

Accessing the printer driver from the control panel

To make settings that apply to all of the applications, access from the control panel.

- Windows 8.1/Windows 8/Windows Server 2012 R2/Windows Server 2012

Select **Desktop > Settings > Control Panel > View devices and printers** in **Hardware and Sound**. Right-click on your printer, or press and hold it and then select **Printing preferences**.

- Windows 7/Windows Server 2008 R2

Click the start button, and select **Control Panel > View devices and printers** in **Hardware and Sound**. Right-click on your printer and select **Printing preferences**.

- Windows Vista/Windows Server 2008

Click the start button, and select **Control Panel > Printers** in **Hardware and Sound**. Right-click on your printer and select **Select printing preferences**.

- Windows XP/Windows Server 2003 R2/Windows Server 2003

Click the start button, and select **Control Panel > Printers and Other Hardware > Printers and Faxes**. Right-click on your printer and select **Printing preferences**.

Starting the utility

Access the printer driver window. Click the **Maintenance** tab.

Restricting Settings for the Windows Printer Driver

You can lock some settings of the printer driver so that other users cannot change them.

Note:

Log on to your computer as an administrator.

Applications and Network Service Information

1. Open the **Optional Settings** tab in printer properties.
 - Windows 8.1/Windows 8/Windows Server 2012
Select **Desktop > Settings > Control Panel > View devices and printers** in **Hardware and Sound**. Right-click on your printer, or press and hold it and then select **Printer properties**. Click the **Optional Settings** tab.
 - Windows 7/Windows Server 2008 R2
Click the start button, and select **Control Panel > View devices and printers** in **Hardware and Sound**. Right-click on your printer, and then select **Printer properties**. Click the **Optional Settings** tab.
 - Windows Vista/Windows Server 2008
Click the start button, and select **Control Panel > Printers** in **Hardware and Sound**. Right-click on your printer, and then select **Properties**. Click the **Optional Settings** tab.
 - Windows XP/Windows Server 2003 R2/Windows Server 2003
Click the start button, and select **Control Panel > Printers and Other Hardware > Printers and Faxes**. Right-click on your printer, and then select **Properties**. Click the **Optional Settings** tab.
2. Click **Driver Settings**.
3. Select the feature that you want to restrict.
See the online help for explanations of the setting items.
4. Click **OK**.

Making Operation Settings for the Windows Printer Driver

You can make settings such as enabling **EPSON Status Monitor 3**.

1. Access the printer driver window.
2. Click **Extended Settings** on the **Maintenance** tab.
3. Make the appropriate settings, and then click **OK**.
See the online help for explanations of the setting items.

Related Information

➔ [“Windows Printer Driver” on page 71](#)

Mac OS X Printer Driver

The printer driver is an application that controls the printer according to the print commands from other applications. Making settings on the printer driver provides the best printing results. You can also check the status of the printer or keep it in top operating condition using the printer driver utility.

Accessing the printer driver from applications

Select **Print** from the **File** menu. If necessary, click **Show Details** (or ▼) to expand the print window.

Note:

Operations differ depending on the application. See the application's help for details.


Applications and Network Service Information

Starting the utility

Select **System Preferences** from the  menu > **Printers & Scanners** (or **Print & Scan, Print & Fax**), and then select the printer. Click **Options & Supplies** > **Utility** > **Open Printer Utility**.

Making Operation Settings for the Mac OS X Printer Driver

You can make various settings such as skipping blank pages and enabling/disabling high speed printing.

1. Select **System Preferences** from the  menu > **Printers & Scanners** (or **Print & Scan, Print & Fax**), and then select the printer. Click **Options & Supplies** > **Options** (or **Driver**).
2. Make the appropriate settings, and then click **OK**.
 - Thick paper and envelopes:** Prevents the ink from smearing when printing on thick paper. However, the print speed may be slower.
 - Skip Blank Page:** Avoids printing blank pages.
 - Quiet Mode:** Prints quietly. However, the print speed may be slower.
 - High Speed Printing:** Prints when the print head moves in both directions. The print speed is faster, but the quality may decline.
 - Warning Notifications:** Allows the printer driver to display warning notifications.
 - Establish bidirectional communication:** Usually, this should be set to **On**. Select **Off** when acquiring the printer information is impossible because the printer is shared with Windows computers on a network or for any other reason.
 - Lower Cassette:** Add the optional paper cassette units to the paper source.

Note:

The availability of these settings varies by model.

E-Web Print (for Windows Only)

E-Web Print is an application that allows you to easily print web pages with various layouts. See the application's help for details. You can access the help from the **E-Web Print** menu on the **E-Web Print** tool bar.

Note:

Windows Server operating systems are not supported.

Starting

When you install E-Web Print, it is displayed in your browser. Click **Print** or **Clip**.

EPSON Software Updater

EPSON Software Updater is an application that checks for new or updated software on the internet and installs it. You can also update the printer's firmware and manual.

Note:

Windows Server operating systems are not supported.

Applications and Network Service Information

Starting on Windows

- Windows 8.1/Windows 8

Enter the application name in the search charm, and then select the displayed icon.

- Windows 7/Windows Vista/Windows XP

Click the start button, and select **All Programs** (or **Programs**) > **Epson Software** > **EPSON Software Updater**.

Starting on Mac OS X

Select **Go** > **Applications** > **Epson Software** > **EPSON Software Updater**.

EpsonNet Config

EpsonNet Config is an application that allows you to set the network interface addresses and protocols. See the operations guide for EpsonNet Config or the application's help for more details.

Starting on Windows

- Windows 8.1/Windows 8/Windows Server 2012 R2/Windows Server 2012

Enter the application name in the search charm, and then select the displayed icon.

- Except for Windows 8.1/Windows 8/Windows Server 2012 R2/Windows Server 2012

Click the start button, and select **All Programs** (or **Programs**) > **EpsonNet** > **EpsonNet Config V4** > **EpsonNet Config**.

Starting on Mac OS X


Select **Go** > **Applications** > **Epson Software** > **EpsonNet** > **EpsonNet Config V4** > **EpsonNet Config**.

Uninstalling Applications

Note:

Log on to your computer as an administrator. Enter the administrator password if the computer prompts you.

Uninstalling Applications - Windows



1. Press the  button to turn off the printer.
2. Quit all running applications.
3. Open **Control Panel**:
 - Windows 8.1/Windows 8/Windows Server 2012 R2/Windows Server 2012
Select **Desktop** > **Settings** > **Control Panel**.
 - Except for Windows 8.1/Windows 8/Windows Server 2012 R2/Windows Server 2012
Click the start button and select **Control Panel**.

Applications and Network Service Information

4. Open **Uninstall a program** (or **Add or Remove Programs**):
 - Windows 8.1/Windows 8/Windows 7/Windows Vista/Windows Server 2012 R2/Windows Server 2012/Windows Server 2008 R2/Windows Server 2008
Select **Uninstall a program** in **Programs**.
 - Windows XP/Windows Server 2003 R2/Windows Server 2003
Click **Add or Remove Programs**.
5. Select the application you want to uninstall.
6. Uninstall the applications:
 - Windows 8.1/Windows 8/Windows 7/Windows Vista/Windows Server 2012 R2/Windows Server 2012/Windows Server 2008 R2/Windows Server 2008
Click **Uninstall/Change** or **Uninstall**.
 - Windows XP/Windows Server 2003 R2/Windows Server 2003
Click **Change/Remove** or **Remove**.

Note:
If the **User Account Control** window is displayed, click **Continue**.
7. Follow the on-screen instructions.

Uninstalling Applications - Mac OS X

1. Download the Uninstaller using EPSON Software Updater.
Once you have downloaded the Uninstaller, you do not need to download it again each time you uninstall the application.
2. Press the  button to turn off the printer.
3. To uninstall the printer driver, select **System Preferences** from the  menu > **Printers & Scanners** (or **Print & Scan, Print & Fax**), and then remove the printer from the enabled printers list.
4. Quit all running applications.
5. Select **Go > Applications > Epson Software > Uninstaller**.
6. Select the application you want to uninstall, and then click **Uninstall**.



Important:

The Uninstaller removes all drivers for Epson inkjet printers on the computer. If you use multiple Epson inkjet printers and you only want to delete some drivers, delete all of them first, and then install the necessary printer driver again.

Note:

*If you cannot find the application you want to uninstall in the application list, you cannot uninstall using the Uninstaller. In this situation, select **Go > Applications > Epson Software**, select the application you want to uninstall, and then drag it to the trash icon.*

Applications and Network Service Information

Related Information

➔ [“EPSON Software Updater” on page 73](#)

Installing Applications

If your computer is connected to a network, install the latest applications available on the website. If you are unable to download the applications from the website, install them from the software disc that came with the printer.

Note:

Log on to your computer as an administrator. Enter the administrator password if the computer prompts you.

When reinstalling an application, you need to uninstall it first.

1. Quit all running applications.
2. When installing the printer driver, disconnect the printer and the computer temporarily.

Note:

Do not connect the printer and the computer until you are instructed to do so.

3. Install the applications by following the instructions on the website below.

<http://epson.sn>

Related Information

➔ [“Uninstalling Applications” on page 74](#)

Installing a PostScript Printer Driver

Installing a PostScript Printer Driver Using USB Interface - Windows

1. Turn off all virus protection applications.
2. Insert the software disc that came with the printer into the computer, and download the "Driver/PostScript/eppsnt.inf" file.

Note:

If your computer does not have a CD/DVD drive, download the printer driver from the Epson support website.

<http://www.epson.eu/Support> (Europe)

<http://support.epson.net/> (outside Europe)

3. Connect the printer to the computer with a USB cable, and then turn on the printer.

Note:

*For Windows Vista/Windows XP, when the **Found New Hardware** screen appears, click **Ask me again later**.*

4. Add a printer.

Windows 8.1/Windows 8/Windows Server 2012 R2/Windows Server 2012

Select **Desktop > Settings > Control Panel > View devices and printers in Hardware and Sound**, and then click **Add a Printer**.

Applications and Network Service Information

- Windows 7/Windows Server 2008 R2
Click the start button, select **Control Panel > View devices and printers** in **Hardware and Sound**, and then click **Add a Printer**.
 - Windows Vista/Windows Server 2008
Click the start button, select **Control Panel > Printers** in **Hardware and Sound**, and then click **Add a Printer**.
 - Windows XP/Windows Server 2003 R2/Windows Server 2003
Click the start button, select **Control Panel > Printers and Other Hardware > Printers and Faxes > Add a Printer**, and then click **Next**.
5. Add a local printer.
 - Windows 8.1/Windows 8/Windows Server 2012 R2/Windows Server 2012
Click **The printer that I want isn't listed**, select **Add a local printer or network printer with manual settings**, and then click **Next**.
 - Windows 7/Windows Vista/Windows Server 2008 R2/Windows Server 2008
Click **Add a local printer**.
 - Windows XP/Windows Server 2003 R2/Windows Server 2003
Select **Local printer attached to this computer**, clear **Automatically detect and install my Plug and Play printer**, and then click **Next**.
 6. Select **Use an existing port**, select **USB001 (Virtual printer port for USB)**, and then click **Next**.
 7. Click **Have Disk**, specify the "eppsnt.inf" file that is on the software disc or that you have downloaded from the website, and then click **OK**.
 8. Select your printer, and then click **Next**.
 9. Follow the on-screen instructions for the rest of the installation.

Installing a PostScript Printer Driver Using Network Interface - Windows

1. Select **Menu > Network Status > Wi-Fi/Network Status** on the control panel, and then confirm the IP address.
2. Turn off all virus protection applications.
3. Turn on the printer.
4. Insert the software disc that came with the printer into the computer, and download the "Driver/PostScript/eppsnt.inf" file.

Note:

If your computer does not have a CD/DVD drive, download the printer driver from the Epson support website.

<http://www.epson.eu/Support> (Europe)

<http://support.epson.net/> (outside Europe)

Applications and Network Service Information

5. Add a printer.

- Windows 8.1/Windows 8/Windows Server 2012 R2/Windows Server 2012

Select **Desktop > Settings > Control Panel > View devices and printers** in **Hardware and Sound**, and then click **Add a Printer**.

- Windows 7/Windows Server 2008 R2

Click the start button, select **Control Panel > View devices and printers** in **Hardware and Sound**, and then click **Add a Printer**.

- Windows Vista/Windows Server 2008

Click the start button, select **Control Panel > Printers** in **Hardware and Sound**, and then click **Add a Printer**.

- Windows XP/Windows Server 2003 R2/Windows Server 2003

Click the start button, select **Control Panel > Printers and Other Hardware > Printers and Faxes > Add a Printer**, and then click **Next**.

6. Add a local printer.

- Windows 8.1/Windows 8/Windows Server 2012 R2/Windows Server 2012

Click **The printer that I want isn't listed**, select **Add a local printer or network printer with manual settings**, and then click **Next**.

- Windows 7/Windows Vista/Windows Server 2008 R2/Windows Server 2008

Click **Add a local printer**.

- Windows XP/Windows Server 2003 R2/Windows Server 2003

Select **Local printer attached to this computer**, clear **Automatically detect and install my Plug and Play printer**, and then click **Next**.

7. Select **Create a new port**, select **Standard TCP/IP Port**, and then click **Next**.

Note:

*For Windows XP/Windows Server 2003 R2/Windows Server 2003, when the **Add Standard TCP/IP Printer Port Wizard** screen appears, click **Next**.*

8. Enter the printer's IP address, and then click **Next**.

Note:

*For Windows XP/Windows Server 2003 R2/Windows Server 2003, when the **Add Standard TCP/IP Printer Port Wizard** screen appears, click **Finish**.*

9. Click **Have Disk**, specify the "eppsnt.inf" file that is on the software disc or that you have downloaded from the website, and then click **OK**.

10. Select your printer, and then click **Next**.

11. Follow the on-screen instructions for the rest of the installation.

Installing a PostScript Printer Driver - Mac OS X

Download the printer driver from the Epson Support website, and then install it.


<http://www.epson.eu/Support> (Europe)

<http://support.epson.net/> (outside Europe)

Applications and Network Service Information

You need the IP address of the printer while installing the printer driver. Confirm the IP address by selecting **Menu > Network Status > Wi-Fi/Network Status** on the control panel.

Adding the Printer Driver (for Mac OS X Only)

1. Select **System Preferences** from the  menu > **Printers & Scanners** (or **Print & Scan, Print & Fax**).
2. Click **+**, and then select **Add Other Printer or Scanner**.
3. Select your printer, and then click **Add**.

Note:

If your printer is not listed, check that it is correctly connected to the computer and that the printer is on.

Installing the Epson Universal Printer Driver (for Windows Only)

The Epson universal printer driver is the universal PCL6 compatible print driver. Once you install this printer driver*, you can print from every Epson printer that supports this printer driver.

- * Since this is a generic printer driver, printing features are limited compared to the printer driver specifically designed for this printer.

Connect the printer to the same network as the computer, and then follow the procedure below to install the printer driver.

1. Download the executable file of the driver from the Epson support website.
<http://www.epson.eu/Support> (Europe only)
<http://support.epson.net/>
2. Double-click the executable file.
3. Follow the on-screen instructions for the rest of the installation.

Note:

If you are using a Windows computer and you cannot download the driver from the website, install it from the software disc that came with the printer. Access "Driver\Universal".

Updating Applications and Firmware

You may be able to clear certain problems and improve or add functions by updating the applications and the firmware. Make sure you use the latest version of the applications and firmware.

1. Make sure that the printer and the computer are connected, and the computer is connected to the internet.
2. Start EPSON Software Updater, and update the applications or the firmware.



Important:

Do not turn off the computer or the printer while updating.

Applications and Network Service Information

Note:

If you cannot find the application you want to update in the list, you cannot update using the EPSON Software Updater. Check for the latest versions of the applications from your local Epson website.

<http://www.epson.com>

Related Information

➔ [“EPSON Software Updater” on page 73](#)

Solving Problems

Checking the Printer Status

You can check error messages and the approximate ink levels on the LCD screen or the computer.

Checking Messages on the LCD Screen

If an error message is displayed on the LCD screen, follow the on-screen instructions or the solutions below to solve the problem.

Error Messages	Solutions
Printer Error 0xXX Turn the power off and on again. For details, see your documentation.	Remove any paper or protective material in the printer and the paper cassette. If the error message is still displayed after turning the power off and on again, contact Epson support.
You need to replace the following ink cartridge.	To ensure you receive premium print quality and to help protect your print head, a variable ink safety reserve remains in the cartridge when your printer indicates it is time to replace the cartridge. Replace the cartridge when a message prompts you to do so.
Memory full.	Try the methods below to reduce the size of the print job. <ul style="list-style-type: none"> <input type="checkbox"/> Lower the print quality or the resolution. <input type="checkbox"/> Change the format setting. <input type="checkbox"/> Reduce the number of images, letters or fonts used in the print job.
Invalid IP address and subnet mask. Enter them correctly. See your documentation.	See the <i>Network Guide</i> .
Recovery Mode	The printer has started in recovery mode because the firmware update failed. Follow the steps below to try to update the firmware again. <ol style="list-style-type: none"> 1. Connect the computer and the printer with a USB cable. (During recovery mode, you cannot update the firmware over a network connection.) 2. Visit your local Epson website for further instructions.

Related Information

- ➔ [“Contacting Epson Support” on page 109](#)
- ➔ [“Updating Applications and Firmware” on page 79](#)

Checking the Printer Status - Windows

1. Access the printer driver window.

Solving Problems

2. Click **EPSON Status Monitor 3** on the **Maintenance** tab, and then click **Details**.


Note:

If **EPSON Status Monitor 3** is disabled, click **Extended Settings** on the **Maintenance** tab, and then select **Enable EPSON Status Monitor 3**.

Related Information

- ➔ [“Windows Printer Driver” on page 71](#)

Checking Printer Status - Mac OS X

1. Select **System Preferences** from the  menu > **Printers & Scanners** (or **Print & Scan**, **Print & Fax**), and then select the printer.
2. Click **Options & Supplies** > **Utility** > **Open Printer Utility**.
3. Click **EPSON Status Monitor**.

Removing Jammed Paper

Check the error displayed on the control panel and follow the instructions to remove the jammed paper including any torn pieces. Next, clear the error.



Important:

Remove the jammed paper carefully. Removing the paper vigorously may cause damage to the printer.

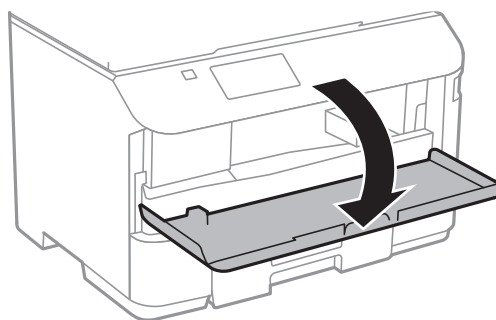
Removing Jammed Paper from the Front Cover



Caution:

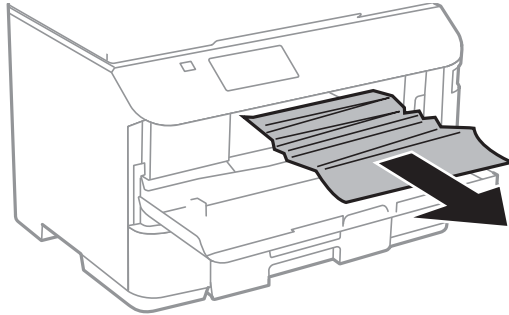
Never touch the buttons on the control panel while your hand is inside the printer. If the printer starts operating, it could cause an injury. Be careful not to touch the protruding parts to avoid injury.

1. Open the front cover.



Solving Problems

2. Remove the jammed paper.



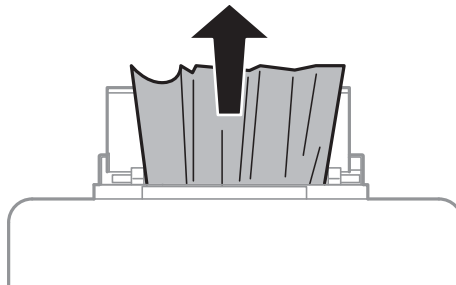
Important:

Do not touch the parts inside the printer. Doing so may cause a malfunction.

3. Close the front cover.

Removing Jammed Paper from the Rear Paper Feed

Remove the jammed paper.

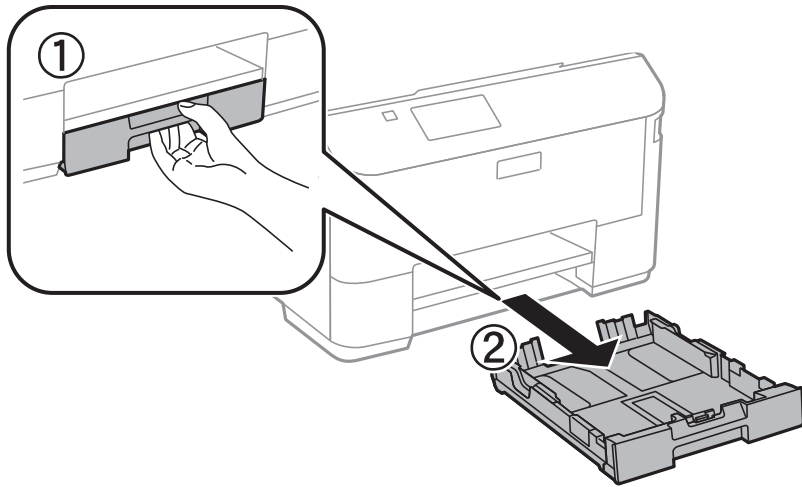


Removing Jammed Paper from the Paper Cassette

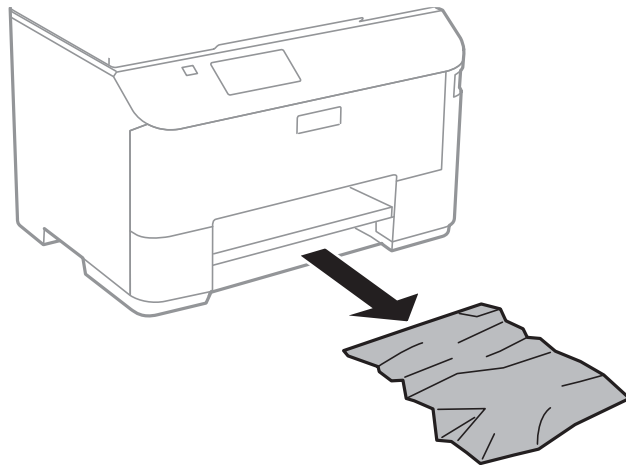
1. Close the output tray.

Solving Problems

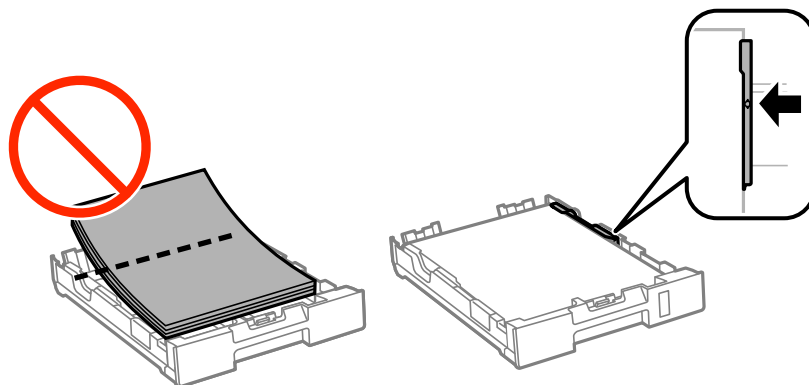
2. Pull out the paper cassette.



3. Remove the jammed paper.



4. Align the edges of the paper and slide the edge guides to the edges of the paper.

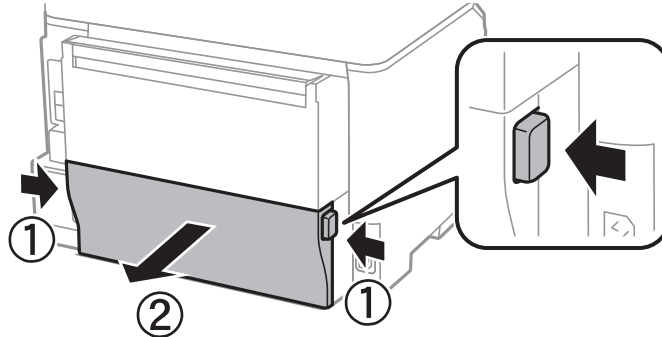


5. Insert the paper cassette in the printer.

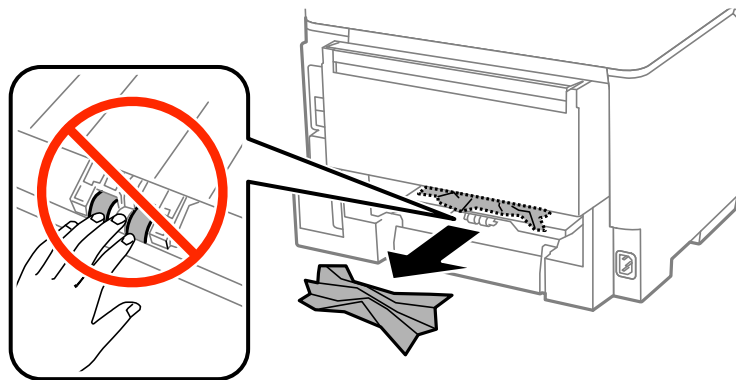
Solving Problems

Removing Jammed Paper from Rear Cover

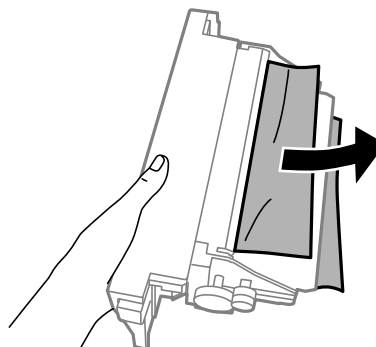
1. Remove the rear cover.



2. Remove the jammed paper.



3. Remove jammed paper from the rear cover.



4. Insert the rear cover in the printer.

Paper Does Not Feed Correctly

Check the following if the paper jams, paper feeds at a slant, several sheets of paper feed at a time, no paper feeds, or paper is ejected.

Solving Problems


- Place the printer on a flat surface and operate in the recommended environmental conditions.
- Use paper supported by this printer.
- Follow the paper handling precautions.
- Load paper in the correct direction, and slide the edge guides against the edges of the paper.
- Do not load more than the maximum number of sheets specified for the paper. For plain paper, do not load above the line just under the ▼ symbol inside the edge guide.
- Insert the paper cassette all the way.
- When a no-paper error occurs although paper is loaded in the rear paper feed, load paper again in the center of the rear paper feed.
- When multiple sheets of paper feed at once during manual 2-sided printing, remove any paper which is loaded in the paper source before you reload the paper.
- Close the front cover if you opened it during printing. Keeping the front cover open during printing pauses the print job.
- Make sure the paper size and paper type settings of the paper source are correct.

Related Information



- ➔ [“Environmental Specifications” on page 96](#)
- ➔ [“Available Paper and Capacities” on page 26](#)
- ➔ [“Paper Handling Precautions” on page 25](#)
- ➔ [“Loading Paper in the Paper Cassette” on page 28](#)
- ➔ [“Loading Paper in the Rear Paper Feed” on page 31](#)

Power and Control Panel Problems

Power Does Not Turn On

- Hold down the  button for a little longer.
- Make sure the power cord is securely plugged in.

Power Does Not Turn Off


Hold down the  button for a little longer. If you still cannot turn off the printer, unplug the power cord. To prevent the print head from drying out, turn the printer back on and turn it off by pressing the  button.

LCD Screen Gets Dark

The printer is in sleep mode. Press any button on the control panel to return the LCD screen to its former state.

Printer Does Not Print

Check the following if the printer does not operate or prints nothing.

- Connect the USB cord securely to the printer and the computer.
- If you are using a USB hub, try to connect the printer directly to the computer.
- If you are using the printer over a network, make sure the printer is connected to the network. You can check the status by checking the indicators on the control panel or by printing the network status sheet. If the printer is not connected to the network, see the *Network Guide*.
- If you are printing a large data size image, the computer may run out of memory. Print the image at a lower resolution or a smaller size.
- In Windows, click **Print Queue** on the printer driver's **Maintenance** tab, and then check the following.
 - Check if there are any paused print jobs.
Cancel printing if necessary.
 - Make sure the printer is not offline or pending.
If the printer is offline or pending, clear the offline or pending setting from the **Printer** menu.
 - Make sure the printer is selected as the default printer from the **Printer** menu (there should be a check mark on the menu item).
If the printer is not selected as the default printer, set it as the default printer.
- In Mac OS X, make sure the printer status is not **Pause**.
Select **System Preferences** from the  menu > **Printers & Scanners** (or **Print & Scan**, **Print & Fax**), and then double-click the printer. If the printer is paused, click **Resume** (or **Resume Printer**).
- Perform a nozzle check, and then clean the print head if any of the print head nozzles are clogged.
- If you are using the printer through AirPrint, enable the AirPrint setting on Web Config. If this setting is disabled, you cannot use AirPrint.

Related Information

- ➔ [“Canceling Printing” on page 56](#)
- ➔ [“Checking and Cleaning the Print Head” on page 64](#)


Printout Problems

Print Quality Is Poor

Check the following if the print quality is poor due to blurry prints, banding, missing colors, faded colors, misalignment, and mosaic-like patterns in the prints.

- Use paper supported by this printer.
- Do not print on paper that is damp, damaged, or too old.
- If the paper is curled or the envelope is puffed up, flatten it.
- When printing images or photos, print using high-resolution data. Images on websites are often low resolution although they look good enough on the display, and so print quality may decline.

Solving Problems

- Select the appropriate paper type setting in the printer driver for the type of paper loaded in the printer.
- Print using a high quality setting in the printer driver.
- Disable the bidirectional (or high speed) setting. When this setting is enabled, the print head prints while moving in both directions, and vertical lines may be misaligned. If you disable this feature, printing may slow down.
 - Windows
Clear **High Speed** on the printer driver's **More Options** tab.
 - Mac OS X
Select **System Preferences** from the  menu > **Printers & Scanners** (or **Print & Scan, Print & Fax**), and then select the printer. Click **Options & Supplies > Options** (or **Driver**). Select **Off** as the **High Speed Printing** setting.
- Perform a nozzle check, and then clean the print head if any of the print head nozzles are clogged.
- Align the print head. If your printouts contain horizontal banding or streaks after trying **Print Head Cleaning** and **Horizontal Alignment**, select **Menu > Maintenance > Improve Horizontal Streaks** to finely tune the horizontal alignment.
- Do not stack the paper immediately after printing.
- Dry the printouts completely before filing or displaying them. When drying the printouts, avoid direct sun light, do not use a dryer, and do not touch the printed side of paper.
- Try to use genuine Epson ink cartridges. This product is designed to adjust colors based on the use of genuine Epson ink cartridges. The use of non-genuine ink cartridges may cause print quality to decline.
- Epson recommends using the ink cartridge before the date printed on the package.
- For best results, use up ink cartridge within six months of installation.
- When printing images or photos, Epson recommends using genuine Epson paper rather than plain paper. Print on the printable side of the genuine Epson paper.

Related Information

- ➔ [“Paper Handling Precautions” on page 25](#)
- ➔ [“List of Paper Types” on page 28](#)
- ➔ [“Checking and Cleaning the Print Head” on page 64](#)
- ➔ [“Aligning the Print Head” on page 66](#)
- ➔ [“Improving Horizontal Streaks” on page 68](#)
- ➔ [“Available Paper and Capacities” on page 26](#)

The Position, Size, or Margins of the Printout Are Incorrect

- Load paper in the correct direction, and slide the edge guides against the edges of the paper.
- Select the appropriate paper size setting on the control panel or in the printer driver.
- Adjust the margin setting in the application so that it falls within the printable area.

Related Information


- ➔ [“Loading Paper in the Paper Cassette” on page 28](#)
- ➔ [“Loading Paper in the Rear Paper Feed” on page 31](#)

Solving Problems

➔ [“Printable Area” on page 93](#)

Paper Is Smearred or Scuffed

Check the following if the paper is smearred or scuffed when printing.

- Clean the paper path.
- Load paper in the correct direction.
- When performing manual 2-sided printing, make sure that the ink is completely dry before reloading the paper.
- Enable the reduce smear setting for thick paper. If you enable this feature, print quality may decline or the printing may slow down. Therefore, this feature should normally be disabled.
 - Control panel
Select **Menu > Maintenance** from the home screen, and then enable **Thick Paper**.
 - Windows
Click **Extended Settings** on the printer driver's **Maintenance** tab, and then select **Thick Paper and Envelopes**.
 - Mac OS X
Select **System Preferences** from the  menu > **Printers & Scanners** (or **Print & Scan, Print & Fax**), and then select the printer. Click **Options & Supplies > Options** (or **Driver**). Select **On** as the **Thick paper and envelopes** setting.
- When printing high-density data such as images or graphs using automatic 2-sided printing, lower the print density setting and choose a longer drying time.

Related Information

- ➔ [“Cleaning the Paper Path for Ink Smears” on page 68](#)
- ➔ [“Loading Paper in the Paper Cassette” on page 28](#)
- ➔ [“Loading Paper in the Rear Paper Feed” on page 31](#)
- ➔ [“Printing on 2-Sides” on page 37](#)
- ➔ [“Print Quality Is Poor” on page 87](#)

Printed Characters Are Incorrect or Garbled

- Connect the USB cord securely to the printer and the computer.
- Cancel any paused print jobs.
- Do not put the computer manually into the **Hibernate** mode or the **Sleep** mode while printing. Pages of garbled text may be printed next time you start the computer.

Related Information

- ➔ [“Canceling Printing” on page 56](#)

The Printed Image Is Inverted

Clear any mirror image settings in the printer driver or the application.

Windows

Clear **Mirror Image** on the printer driver's **More Options** tab.

Mac OS X

Clear **Mirror Image** from the print dialog's **Layout** menu.

The Printout Problem Could Not be Cleared

If you have tried all of the solutions and have not solved the problem, try uninstalling and then reinstalling the printer driver.

Related Information

➔ [“Uninstalling Applications” on page 74](#)

➔ [“Installing Applications” on page 76](#)

Other Printing Problems

Printing Is Too Slow

Close any unnecessary applications.

Lower the quality setting on the printer driver. High quality printing slows down the printing speed.

Enable the bidirectional (or high speed) setting. When this setting is enabled, the print head prints while moving in both directions, and the printing speed increases.

Windows

Select **High Speed** on the printer driver's **More Options** tab.

Mac OS X


Select **System Preferences** from the  menu > **Printers & Scanners** (or **Print & Scan, Print & Fax**), and then select the printer. Click **Options & Supplies** > **Options** (or **Driver**). Select **On** as the **High Speed Printing** setting.

Disable quiet mode. This feature slows down the printing speed.

Windows

Select **Off** as the **Quiet Mode** setting on the printer driver's **Main** tab.

Mac OS X

Select **System Preferences** from the  menu > **Printers & Scanners** (or **Print & Scan, Print & Fax**), and then select the printer. Click **Options & Supplies** > **Options** (or **Driver**). Select **Off** as the **Quiet Mode** setting.

Printing Slows Down Dramatically During Continuous Printing

Printing slows down to prevent the printer mechanism from overheating and being damaged. However, you can continue printing. To return to normal printing speed, leave the printer idle for at least 30 minutes. Printing speed does not return to normal if the power is off.

PostScript Printer Driver Problems

Note:

The menu items and text on the printer driver vary depending on your computer's environment.

Printer Does Not Print While Using PostScript Printer Driver

- Set the **Printing Language** setting to **Auto** or **PS3** on the control panel.
- If you cannot print text data, even when **Text Detection** is enabled on the control panel, set the **Printing Language** setting to **PS3**.
- In Windows, if a large number of jobs are sent, the printer may not print. Select **Print directly to the printer** on the **Advanced** tab in the printer properties.

Related Information

➔ [“System Administration” on page 19](#)

Printer Does Not Print Correctly While Using PostScript Printer Driver

- If the file is created in an application that allows you to change the data format, such as Adobe Photoshop, make sure that the settings in the application match the settings in the printer driver.
- EPS files made in binary format may not be printed correctly. Set the format to ASCII when making EPS files in an application.
- For Windows, the printer cannot print binary data when it is connected to the computer using a USB interface. Set the **Output Protocol** setting on the **Device Settings** tab in the printer properties to **ASCII** or **TBCP**.
- For Windows, select the appropriate substitution fonts on the **Device Settings** tab in the printer properties.

Printing Is Too Slow While Using PostScript Printer Driver

Set the **Print Quality** setting to **Fast** in the printer driver.

Other Problems

Slight Electric Shock when Touching the Printer

If many peripherals are connected to the computer, you may feel a slight electric shock when touching the printer. Install a ground wire to the computer that is connected to the printer.


Operation Sounds Are Loud

If operations sounds are too loud, enable quiet mode. However, this may slow down printer operations.

Windows printer driver

Select **On** as the **Quiet Mode** setting on the **Main** tab.

Mac OS X printer driver

Select **System Preferences** from the  menu > **Printers & Scanners** (or **Print & Scan, Print & Fax**), and then select the printer. Click **Options & Supplies** > **Options** (or **Driver**). Select **On** as the **Quiet Mode** setting.

Forgot Your Password

If you forget the administrator's password, contact Epson support.

Related Information

➔ [“Contacting Epson Support” on page 109](#)

Application Is Blocked by a Firewall (for Windows Only)

Add the application to the Windows Firewall allowed program in security settings on the **Control Panel**.

Appendix

Technical Specifications

Printer Specifications

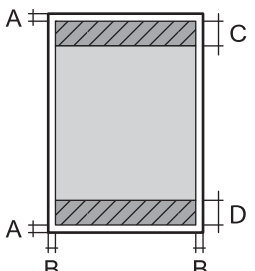
Print Head Nozzle Placement		Black ink nozzles: 400×4 rows
Weight of Paper*	Plain Paper	64 to 90 g/m ² (17 to 24 lb)
	Thick Paper	91 to 256 g/m ² (25 to 68 lb)
	Envelope	Envelope #10, DL, C6: 75 to 90 g/m ² (20 to 24 lb) Envelope C4: 80 to 100 g/m ² (21 to 26 lb)

* Even when the paper thickness is within this range, the paper may not feed in the printer or the print quality may decline depending on the paper properties or quality.

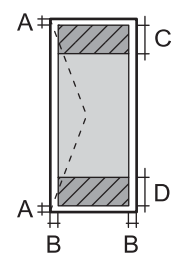
Printable Area

Print quality may decline in the shaded areas due to the printer's mechanism.

Single sheets

	A	3.0 mm (0.12 in.)
	B	3.0 mm (0.12 in.)
	C	45.0 mm (1.77 in.)
	D	50.0 mm (1.97 in.)

Envelopes

	A	3.0 mm (0.12 in.)
	B	Except for C4: 5.0 mm (0.20 in.) C4: 9.5 mm (0.37 in.)
	C	18.0 mm (0.71 in.)
	D	45.0 mm (1.77 in.)

Appendix

Interface Specifications

For Computer	Hi-Speed USB
--------------	--------------

Wi-Fi Specifications

Standards	IEEE802.11b/g/n
Frequency Range	2.4 GHz
Maximum Radio-Frequency Power Transmitted	18.2 dBm (EIRP)
Coordination Modes	Infrastructure, Ad hoc* ¹ , Wi-Fi Direct* ² * ³
Wireless Securities	WEP (64/128bit), WPA2-PSK (AES)* ⁴ , WPA2-Enterprise

*1 Not supported for IEEE 802.11n.

*2 Not supported for IEEE 802.11b.

*3 Simple AP mode is compatible with Ethernet connection. See the *Network Guide* for more details.

*4 Complies with WPA2 standards with support for WPA/WPA2 Personal.

Ethernet Specifications

Standards	IEEE802.3i (10BASE-T) IEEE802.3u (100BASE-TX) IEEE802.3ab (1000BASE-T)* ¹ IEEE802.3az (Energy Efficient Ethernet)* ²
Communication Mode	Auto, 10Mbps Full duplex, 10Mbps Half duplex, 100Mbps Full duplex, 100Mbps Half duplex
Connector	RJ-45

*1 Use a category 5e or higher STP (Shielded twisted pair) cable to prevent risk of radio interference.

*2 The connected device should comply with IEEE802.3az standards.

Security Protocol

IEEE802.1X*	
IPsec/IP Filtering	
SSL/TLS	HTTPS Server/Client
	IPPS
SNMPv3	

Appendix

* You need to use a device for connection that complies with IEEE802.1X.

Supported Third Party Services

AirPrint	Print	iOS 5 or later/Mac OS X v10.7.x or later
Google Cloud Print		

Dimensions

Dimensions	<p>Storage</p> <ul style="list-style-type: none"> <input type="checkbox"/> Width: 461 mm (18.1 in.) <input type="checkbox"/> Depth: 422 mm (16.6 in.) <input type="checkbox"/> Height: 284 mm (11.2 in.) <p>Printing</p> <ul style="list-style-type: none"> <input type="checkbox"/> Width: 461 mm (18.1 in.) <input type="checkbox"/> Depth: 655 mm (25.8 in.) <input type="checkbox"/> Height: 383 mm (15.1 in.)
Weight*	Approx. 11.2 kg (24.7 lb)

* Without the ink cartridges and the power cord.

Electrical Specifications

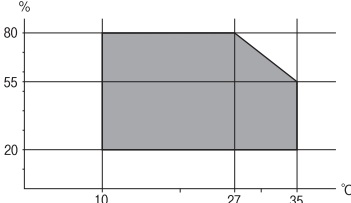
Model	100 to 240 V Model	220 to 240 V Model
Rated Frequency Range	50 to 60 Hz	50 to 60 Hz
Rated Current	0.8 to 0.4 A	0.4 A
Power Consumption (with USB Connection)	Printing: Approx. 25 W (ISO/IEC24712) Ready mode: Approx. 6.2 W Sleep mode: Approx. 2.3 W Power off: Approx. 0.4 W	Printing: Approx. 25 W (ISO/IEC24712) Ready mode: Approx. 6.3 W Sleep mode: Approx. 2.4 W Power off: Approx. 0.4 W

Note:

Check the label on the printer for its voltage.

Appendix

Environmental Specifications

<p>Operation</p>	<p>Use the printer within the range shown in the following graph.</p>  <p>Temperature: 10 to 35°C (50 to 95°F) Humidity: 20 to 80% RH (without condensation)</p>
<p>Storage</p>	<p>Temperature: -20 to 40°C (-4 to 104°F)* Humidity: 5 to 85% RH (without condensation)</p>

* You can store for one month at 40°C (104°F).

Environmental Specifications for Ink Cartridges

<p>Storage Temperature</p>	<p>-20 to 40 °C (-4 to 104 °F)*</p>
<p>Freezing Temperature</p>	<p>-10 °C (14 °F) Ink thaws and is usable after approximately 3 hours at 25 °C (77 °F).</p>

* You can store for one month at 40 °C (104 °F).

System Requirements

- Windows 8.1 (32-bit, 64-bit)/Windows 8 (32-bit, 64-bit)/Windows 7 (32-bit, 64-bit)/Windows Vista (32-bit, 64-bit)/Windows XP Professional x64 Edition/Windows XP (32-bit)/Windows Server 2012 R2/Windows Server 2012/Windows Server 2008 R2/Windows Server 2008 (32-bit, 64-bit)/Windows Server 2003 R2 (32-bit, 64-bit)/Windows Server 2003 (32-bit, 64-bit)
- Mac OS X v10.9.x/Mac OS X v10.8.x/Mac OS X v10.7.x/Mac OS X v10.6.8

Note:

- Mac OS X may not support some applications and features.
- The UNIX File System (UFS) for Mac OS X is not supported.

Font Information

Available Fonts for PostScript

Font Name	Family	HP Equivalent
Nimbus Mono	Medium, Bold, Italic, Bold Italic	Courier
Letter Gothic	Medium, Bold, Italic	Letter Gothic
Nimbus Mono PS	Regular, Bold, Oblique, Bold Oblique	CourierPS
Nimbus Roman No4	Medium, Bold, Italic, Bold Italic	CG Times
URW Classico	Medium, Bold, Italic, Bold Italic	CG Omega
URW Coronet	-	Coronet
URW Clarendon Condensed	-	Clarendon Condensed
URW Classic Sans	Medium, Bold, Italic, Bold Italic	Univers
URW Classic Sans Condensed	Medium, Bold, Italic, Bold Italic	Univers Condensed
Antique Olive	Medium, Bold, Italic	Antique Olive
Garamond	Antiqua, Halbfett, Kursiv, Kursiv Halbfett	Garamond
Mauritius	-	Marigold
Algiers	Medium, Extra Bold	Albertus
NimbusSansNo2	Medium, Bold, Italic, Bold Italic	Arial
Nimbus Roman No9	Medium, Bold, Italic, Bold Italic	Times New Roman
Nimbus Sans	Medium, Bold, Oblique, Bold Oblique	Helvetica
Nimbus Sans Narrow	Medium, Bold, Oblique, Bold Oblique	Helvetica Narrow
Palladio	Roman, Bold, Italic, Bold Italic	Palatino
URW Gothic	Book, Demi, Book Oblique, Demi Oblique	ITC Avant Garde
URW Bookman	Light, Demi, Light Italic, Demi Italic	ITC Bookman
URW Century Schoolbook	Roman, Bold, Italic, Bold Italic	New Century Schoolbook
Nimbus Roman	Medium, Bold, Italic, Bold Italic	Times
URW Chancery Medium Italic	-	ITC Zapf Chancery Italic
Symbol	-	Symbol
URW Dingbats	-	Wingdings
Dingbats	-	ITC Zapf Dingbats
Standard Symbol	-	SymbolPS

Appendix

Available Fonts for PCL

Scalable Font

Font Name	Family	HP Equivalent	Symbol Set
Nimbus Mono	Medium, Bold, Italic, Bold Italic	Courier	1
Letter Gothic	Medium, Bold, Italic	Letter Gothic	1
Nimbus Mono PS	Regular, Bold, Oblique, Bold Oblique	CourierPS	3
Nimbus Roman No4	Medium, Bold, Italic, Bold Italic	CG Times	2
URW Classico	Medium, Bold, Italic, Bold Italic	CG Omega	3
URW Coronet	-	Coronet	3
URW Clarendon Condensed	-	Clarendon Condensed	3
URW Classic Sans	Medium, Bold, Italic, Bold Italic	Univers	2
URW Classic Sans Condensed	Medium, Bold, Italic, Bold Italic	Univers Condensed	3
Antique Olive	Medium, Bold, Italic	Antique Olive	3
Garamond	Antiqua, Halbfett, Kursiv, Kursiv Halbfett	Garamond	3
Mauritius	-	Marigold	3
Algiers	Medium, Extra Bold	Albertus	3
NimbusSansNo2	Medium, Bold, Italic, Bold Italic	Arial	3
Nimbus Roman No9	Medium, Bold, Italic, Bold Italic	Times New	3
Nimbus Sans	Medium, Bold, Oblique, Bold Oblique	Helvetica	3
Nimbus Sans Narrow	Medium, Bold, Oblique, Bold Oblique	Helvetica Narrow	3
Palladio	Roman, Bold, Italic, Bold Italic	Palatino	3
URW Gothic	Book, Demi, Book Oblique, Demi Oblique	ITC Avant Garde	3
URW Bookman	Light, Demi, Light Italic, Demi Italic	ITC Bookman	3
URW Century Schoolbook	Roman, Bold, Italic, Bold Italic	New Century Schoolbook	3
Nimbus Roman	Medium, Bold, Italic, Bold Italic	Times	3
URW Chancery Medium Italic	-	ITC Zapf Chancery Italic	3
Symbol	-	Symbol	4
URW Dingbats	-	Wingdings	5
Dingbats	-	ITC Zapf Dingbats	6
Standard Symbol	-	SymbolPS	4

Appendix

Font Name	Family	HP Equivalent	Symbol Set
URW David	Medium, Bold	HP David	7
URW Narkis	Medium, Bold	HP Narkis Tam	7
URW Miryam	Medium, Bold, Italic	HP Miryam	7
URW Koufi	Medium, Bold	Koufi	8
URW Naskh	Medium, Bold	Naskh	8
URW Ryadh	Medium, Bold	Ryadh	8

Bitmap Font

Font Name	Symbol Set
Line Printer	9

OCR/Barcode Bitmap Font (for PCL5 only)

Font Name	Family	Symbol Set
OCR A	-	10
OCR B	-	11
Code39	9.37cpi, 4.68cpi	12
EAN/UPC	Medium, Bold	13

Note:

Depending on the print density, or on the quality or color of the paper, OCR A, OCR B, Code39, and EAN/UPC fonts may not be readable. Print a sample and make sure the fonts can be read before printing large quantities.

Related Information

- ➔ [“List of Symbol Sets for PCL 5” on page 100](#)
- ➔ [“The List of the Symbol Sets for PCL 6” on page 102](#)

List of Symbol Sets

Your printer can access a variety of symbol sets. Many of these symbol sets differ only in the international characters specific to each language.

When you are considering which font to use, you should also consider which symbol set to combine with the font.

Note:

Since most software handles fonts and symbols automatically, you will probably never need to adjust the printer's settings. However, if you are writing your own printer control programs, or if you are using older software that cannot control fonts, refer to the following sections for symbol set details.

Appendix

List of Symbol Sets for PCL 5

Symbol Set Name	Attribute	Font Classification												
		1	2	3	4	5	6	7	8	9	10	11	12	13
Norweg1	0D	✓	✓	✓	-	-	-	-	-	-	-	-	-	-
Roman Extension	0E	-	-	-	-	-	-	-	-	✓	-	-	-	-
Italian	0I	✓	✓	✓	-	-	-	-	-	-	-	-	-	-
ECM94-1	0N	✓	✓	✓	-	-	-	-	-	✓	-	-	-	-
Swedis2	0S	✓	✓	✓	-	-	-	-	-	-	-	-	-	-
ANSI ASCII	0U	✓	✓	✓	-	-	-	✓	✓	-	-	-	-	-
UK	1E	✓	✓	✓	-	-	-	-	-	-	-	-	-	-
French2	1F	✓	✓	✓	-	-	-	-	-	-	-	-	-	-
German	1G	✓	✓	✓	-	-	-	-	-	-	-	-	-	-
Legal	1U	✓	✓	✓	-	-	-	-	-	✓	-	-	-	-
8859-2 ISO	2N	✓	✓	✓	-	-	-	-	-	✓	-	-	-	-
Spanish	2S	✓	✓	✓	-	-	-	-	-	-	-	-	-	-
ISO 8859/4 Latin 4	4N	✓	✓	✓	-	-	-	-	-	-	-	-	-	-
Roman-9	4U	✓	✓	✓	-	-	-	-	-	-	-	-	-	-
PsMath	5M	✓	✓	✓	-	-	-	✓	✓	-	-	-	-	-
8859-9 ISO	5N	✓	✓	✓	-	-	-	-	-	✓	-	-	-	-
WiTurkish	5T	✓	✓	✓	-	-	-	-	-	-	-	-	-	-
MsPublishin	6J	✓	✓	✓	-	-	-	-	-	-	-	-	-	-
VeMath	6M	✓	✓	✓	-	-	-	-	-	-	-	-	-	-
8859-10ISO	6N	✓	✓	✓	-	-	-	-	-	✓	-	-	-	-
DeskTop	7J	✓	✓	✓	-	-	-	-	-	-	-	-	-	-
Math-8	8M	✓	✓	✓	-	-	-	✓	✓	-	-	-	-	-
Roman-8	8U	✓	✓	✓	-	-	-	-	-	✓	-	-	-	-
WiE.Europe	9E	✓	✓	✓	-	-	-	-	-	-	-	-	-	-
Pc1004	9J	✓	✓	✓	-	-	-	-	-	-	-	-	-	-
8859-15ISO	9N	✓	✓	✓	-	-	-	-	-	✓	-	-	-	-
PcTk437	9T	✓	✓	✓	-	-	-	-	-	-	-	-	-	-
Windows	9U	✓	✓	✓	-	-	-	-	-	-	-	-	-	-

Appendix

Symbol Set Name	Attribute	Font Classification												
		1	2	3	4	5	6	7	8	9	10	11	12	13
PsText	10J	✓	✓	✓	-	-	-	-	-	-	-	-	-	-
IBM-US	10U	✓	✓	✓	-	-	-	-	-	✓	-	-	-	-
IBM-DN	11U	✓	✓	✓	-	-	-	-	-	✓	-	-	-	-
McText	12J	✓	✓	✓	-	-	-	-	-	-	-	-	-	-
PcMultiling	12U	✓	✓	✓	-	-	-	-	-	✓	-	-	-	-
VeInternati	13J	✓	✓	✓	-	-	-	-	-	-	-	-	-	-
PcEur858	13U	✓	✓	✓	-	-	-	-	-	-	-	-	-	-
VeUS	14J	✓	✓	✓	-	-	-	-	-	-	-	-	-	-
PiFont	15U	✓	✓	✓	-	-	-	-	-	-	-	-	-	-
PcE.Europe	17U	✓	✓	✓	-	-	-	-	-	-	-	-	-	-
Unicode 3.0	18N	✓	✓	✓	-	-	-	✓	✓	-	-	-	-	-
WiBALT	19L	✓	✓	✓	-	-	-	-	-	-	-	-	-	-
WiAnsi	19U	✓	✓	✓	-	-	-	-	-	-	-	-	-	-
PcBlT775	26U	✓	✓	✓	-	-	-	-	-	-	-	-	-	-
Pc866Cyr	3R	✓	✓	-	-	-	-	-	-	-	-	-	-	-
Greek8	8G	✓	✓	-	-	-	-	-	-	-	-	-	-	-
WinGrk	9G	✓	✓	-	-	-	-	-	-	-	-	-	-	-
WinCyr	9R	✓	✓	-	-	-	-	-	-	-	-	-	-	-
Pc851Grk	10G	✓	✓	-	-	-	-	-	-	-	-	-	-	-
ISOCyr	10N	✓	✓	-	-	-	-	-	-	✓	-	-	-	-
Pc8Grk	12G	✓	✓	-	-	-	-	-	-	-	-	-	-	-
ISOGrk	12N	✓	✓	-	-	-	-	-	-	-	-	-	-	-
Pc866Ukr	14R	✓	✓	-	-	-	-	-	-	-	-	-	-	-
Hebrew7	0H	✓	-	-	-	-	-	✓	-	-	-	-	-	-
8859-8 ISO	7H	✓	-	-	-	-	-	✓	-	-	-	-	-	-
Hebrew8	8H	✓	-	-	-	-	-	✓	-	-	-	-	-	-
Pc862Heb	15H	✓	-	-	-	-	-	✓	-	-	-	-	-	-
PC-862, Hebrew	15Q	✓	-	-	-	-	-	✓	-	-	-	-	-	-
Arabic8	8V	-	-	-	-	-	-	-	✓	-	-	-	-	-
HPWARA	9V	-	-	-	-	-	-	-	✓	-	-	-	-	-

Appendix

Symbol Set Name	Attribute	Font Classification												
		1	2	3	4	5	6	7	8	9	10	11	12	13
Pc864Ara	10V	-	-	-	-	-	-	-	✓	-	-	-	-	-
Symbol	19M	-	-	-	✓	-	-	-	-	-	-	-	-	-
Wingdings	579L	-	-	-	-	✓	-	-	-	-	-	-	-	-
ZapfDingbats	14L	-	-	-	-	-	✓	-	-	-	-	-	-	-
OCR A	00	-	-	-	-	-	-	-	-	-	✓	-	-	-
OCR B	10	-	-	-	-	-	-	-	-	-	-	✓	-	-
OCR B Extension	3Q	-	-	-	-	-	-	-	-	-	-	✓	-	-
Code3-9	0Y	-	-	-	-	-	-	-	-	-	-	-	✓	-
EAN/UPC	8Y	-	-	-	-	-	-	-	-	-	-	-	-	✓

The List of the Symbol Sets for PCL 6

Symbol Set Name	Attribute	Font Classification								
		1	2	3	4	5	6	7	8	9
ISO Norwegian	4	✓	✓	✓	-	-	-	-	-	-
ISO Italian	9	✓	✓	✓	-	-	-	-	-	-
ISO 8859-1 Latin 1	14	✓	✓	✓	-	-	-	-	-	✓
ISO Swedish	19	✓	✓	✓	-	-	-	-	-	-
ASCII	21	✓	✓	✓	-	-	-	✓	✓	-
ISO United Kingdom	37	✓	✓	✓	-	-	-	-	-	-
ISO French	38	✓	✓	✓	-	-	-	-	-	-
ISO German	39	✓	✓	✓	-	-	-	-	-	-
Legal	53	✓	✓	✓	-	-	-	-	-	✓
ISO 8859-2 Latin 2	78	✓	✓	✓	-	-	-	-	-	✓
ISO Spanish	83	✓	✓	✓	-	-	-	-	-	-
Roman-9	149	✓	✓	✓	-	-	-	-	-	-
PS Math	173	✓	✓	✓	-	-	-	✓	✓	-
ISO 8859-9 Latin 5	174	✓	✓	✓	-	-	-	-	-	✓
Windows 3.1 Latin 5	180	✓	✓	✓	-	-	-	-	-	-
Microsoft Publishing	202	✓	✓	✓	-	-	-	-	-	-

Appendix

Symbol Set Name	Attribute	Font Classification								
		1	2	3	4	5	6	7	8	9
ISO 8859/10 Latin 6	206	✓	✓	✓	-	-	-	-	-	✓
DeskTop	234	✓	✓	✓	-	-	-	-	-	-
Math-8	269	✓	✓	✓	-	-	-	✓	✓	-
Roman-8	277	✓	✓	✓	-	-	-	-	-	✓
Windows 3.1 Latin 2	293	✓	✓	✓	-	-	-	-	-	-
Pc1004	298	✓	✓	✓	-	-	-	-	-	-
ISO 8859-15 Latin 9	302	✓	✓	✓	-	-	-	-	-	✓
PC-Turkish	308	✓	✓	✓	-	-	-	-	-	-
Windows 3.0	309	✓	✓	✓	-	-	-	-	-	-
PS Text	330	✓	✓	✓	-	-	-	-	-	-
PC-8	341	✓	✓	✓	-	-	-	-	-	✓
PC-8 D/N	373	✓	✓	✓	-	-	-	-	-	✓
MC Text	394	✓	✓	✓	-	-	-	-	-	-
PC-850	405	✓	✓	✓	-	-	-	-	-	✓
PcEur858	437	✓	✓	✓	-	-	-	-	-	-
Pi Font	501	✓	✓	✓	-	-	-	-	-	-
PC852	565	✓	✓	✓	-	-	-	-	-	-
Unicode 3.0	590	✓	✓	✓	-	-	-	✓	✓	-
WBALT	620	✓	✓	✓	-	-	-	-	-	-
Windows 3.1 Latin 1	629	✓	✓	✓	-	-	-	-	-	-
PC-755	853	✓	✓	✓	-	-	-	-	-	-
Wingdings	18540	-	-	-	-	✓	-	-	-	-
Symbol	621	-	-	-	✓	-	-	-	-	-
ZapfDingbats	460	-	-	-	-	-	✓	-	-	-
PC-866, Cyrillic	114	✓	✓	-	-	-	-	-	-	-
Greek8	263	✓	✓	-	-	-	-	-	-	-
Windows Greek	295	✓	✓	-	-	-	-	-	-	-
Windows Cyrillic	306	✓	✓	-	-	-	-	-	-	-
PC-851, Greek	327	✓	✓	-	-	-	-	-	-	-
ISO 8859/5 Cyrillic	334	✓	✓	-	-	-	-	-	-	✓

Appendix

Symbol Set Name	Attribute	Font Classification								
		1	2	3	4	5	6	7	8	9
PC-8, Greek	391	✓	✓	-	-	-	-	-	-	-
ISO 8859/7 Greek	398	✓	✓	-	-	-	-	-	-	-
PC-866 UKR	466	✓	✓	-	-	-	-	-	-	-
Hebrew7	8	✓	-	-	-	-	-	✓	-	-
ISO 8859/8 Hebrew	232	✓	-	-	-	-	-	✓	-	-
Hebrew8	264	✓	-	-	-	-	-	✓	-	-
PC-862, Hebrew	488	✓	-	-	-	-	-	✓	-	-
Arabic8	278	-	-	-	-	-	-	-	✓	-
HPWARA	310	-	-	-	-	-	-	-	✓	-
PC-864, Arabic	342	-	-	-	-	-	-	-	✓	-

Regulatory Information

Standards and Approvals for U.S. Model

Safety	UL60950-1 CAN/CSA-C22.2 No.60950-1
EMC	FCC Part 15 Subpart B Class B CAN/CSA-CEI/IEC CISPR 22 Class B

This equipment contains the following wireless module.

Manufacturer: Askey Computer Corporation

Type: WLU6117-D69 (RoHS)

This product conforms to Part 15 of the FCC Rules and RSS-210 of the IC Rules. Epson cannot accept responsibility for any failure to satisfy the protection requirements resulting from a non-recommended modification of the product. Operation is subject to the following two conditions: (1) this device may not cause harmful interference, and (2) this device must accept any interference received, including interference that may cause undesired operation of the device.

To prevent radio interference to the licensed service, this device is intended to be operated indoors and away from windows to provide maximum shielding. Equipment (or its transmit antenna) that is installed outdoors is subject to licensing.

This equipment complies with FCC/IC radiation exposure limits set forth for an uncontrolled environment and meets the FCC radio frequency (RF) Exposure Guidelines in Supplement C to OET65 and RSS-102 of the IC radio frequency (RF) Exposure rules. This equipment should be installed and operated so that the radiator is kept at least 7.9 inches (20 cm) or more away from a person's body (excluding extremities: hands, wrists, feet and ankles).

Standards and Approvals for European Model

For European users

Hereby, Seiko Epson Corporation declares that the following radio equipment model is in compliance with Directive 2014/53/EU. The full text of the EU declaration of conformity is available at the following website.

<http://www.epson.eu/conformity>

B561B

For use only in Ireland, UK, Austria, Germany, Liechtenstein, Switzerland, France, Belgium, Luxemburg, Netherlands, Italy, Portugal, Spain, Denmark, Finland, Norway, Sweden, Iceland, Croatia, Cyprus, Greece, Slovenia, Malta, Bulgaria, Czech, Estonia, Hungary, Latvia, Lithuania, Poland, Romania, and Slovakia.

Epson cannot accept responsibility for any failure to satisfy the protection requirements resulting from a non-recommended modification of the products.



German Blue Angel

This printer meets the standards for the German Blue Angel. See the following website for the specifications required for the Blue Angel standard.

<http://www.epson.de/blauerengel>

Restrictions on Copying

Observe the following restrictions to ensure the responsible and legal use of the printer.

Copying of the following items is prohibited by law:

- Bank bills, coins, government-issued marketable securities, government bond securities, and municipal securities
- Unused postage stamps, pre-stamped postcards, and other official postal items bearing valid postage
- Government-issued revenue stamps, and securities issued according to legal procedure

Exercise caution when copying the following items:

- Private marketable securities (stock certificates, negotiable notes, checks, etc.), monthly passes, concession tickets, etc.
- Passports, driver's licenses, warrants of fitness, road passes, food stamps, tickets, etc.

Note:

Copying these items may also be prohibited by law.

Responsible use of copyrighted materials:

Printers can be misused by improperly copying copyrighted materials. Unless acting on the advice of a knowledgeable attorney, be responsible and respectful by obtaining the permission of the copyright holder before copying published material.

Saving Power


The printer enters sleep mode or turns off automatically if no operations are performed for a set period. You can adjust the time before power management is applied. Any increase will affect the printer's energy efficiency. Please consider the environment before making any change.

Saving Power - Control Panel


1. Enter **Menu** from the home screen, and then select **System Administration**.
2. Select **Common Settings**.
3. Select **Power Off Timer** or **Sleep Timer**, and then make settings.

Transporting the Printer

When you need to transport the printer to move or for repairs, follow the steps below to pack the printer.

 **Important:**

- When storing or transporting the printer, avoid tilting it, placing it vertically, or turning it upside down; otherwise ink may leak.
- Leave the ink cartridge installed. Removing the cartridge can dry out the print head and may prevent the printer from printing.
- Leave the maintenance box installed; otherwise ink may leak during transporting.

1. Turn off the printer by pressing the  button.
2. Make sure the power light turns off, and then unplug the power cord.

 **Important:**

Unplug the power cord when the power light is off. Otherwise, the print head does not return to the home position causing the ink to dry, and printing may become impossible.

3. Disconnect all cables such as the power cord and USB cable.
4. Remove all of the paper from the printer.
5. Store the paper support and the output tray.
6. Uninstall the optional paper cassette if it is installed.
7. Pack the printer in its box, using the protective materials.

Note:

If print quality has declined the next time you print, clean and align the print head.

Related Information

- ➔ “Part Names and Functions” on page 14
- ➔ “Checking and Cleaning the Print Head” on page 64
- ➔ “Aligning the Print Head” on page 66

Installing the Optional Units

Optional Paper Cassette Unit Code


The following is the code for the optional paper cassette unit.

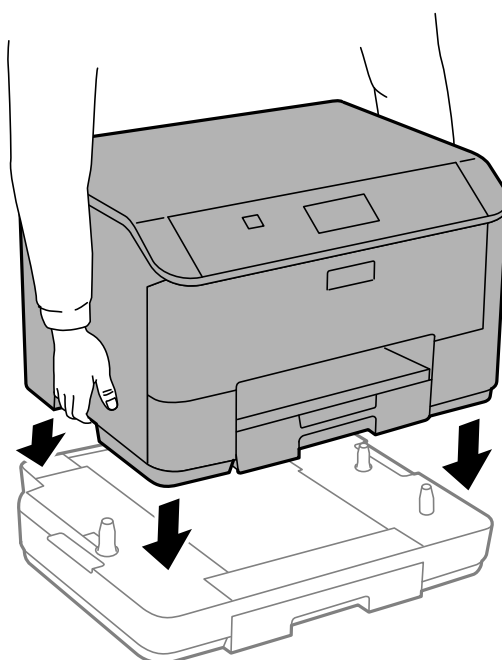
250-Sheet Paper Cassette Unit (C12C817011)

Installing the Optional Paper Cassette Units


 **Caution:**

Make sure you turn off the printer, unplug the power cord from the printer, and disconnect any cables before starting installation. Otherwise, the power cord may be damaged resulting in fire or electric shock.

1. Turn off the printer by pressing the  button, and then unplug the power cord.
2. Disconnect any connected cables.
3. Remove the optional paper cassette unit from its box, and then remove any protective materials.
4. Lower the printer onto the optional paper cassette unit.



Appendix

5. Reconnect the power cord and any other cables, and then plug in the printer.
6. Turn on the printer by pressing the  button.
7. Pull out and reinsert the optional paper cassette unit to check that the optional paper cassette unit is displayed on the **Paper Setup** screen.

Note:

When uninstalling the optional paper cassette unit, turn off the printer, unplug the power cord, disconnect any cables, and then perform the installation procedure in reverse.

Proceed with the printer driver settings.

Setting the Optional Paper Cassette Unit in the Printer Driver

To use the installed optional paper cassette unit, the printer driver needs to acquire the necessary information.


Setting the Optional Paper Cassette Unit in the Printer Driver - Windows

Note:

Log on to your computer as an administrator.

1. Open the **Optional Settings** tab from the printer properties.
 - Windows 8.1/Windows 8/Windows Server 2012 R2/Windows Server 2012
Select **Desktop > Settings > Control Panel > View devices and printers in Hardware and Sound**. Right-click on your printer, or press and hold it, select **Printer properties**, and then click the **Optional Settings** tab.
 - Windows 7/Windows Server 2008 R2
Click the start button, and select **Control Panel > View devices and printers in Hardware and Sound**. Right-click on your printer, select **Printer properties**, and then click the **Optional Settings** tab.
 - Windows Vista/Windows Server 2008
Click the start button, and then select **Control Panel > Printers in Hardware and Sound**. Right-click on your printer, select **Property**, and then click **Optional Settings**.
 - Windows XP/Windows Server 2003 R2/Windows Server 2003
Click the start button, and select **Control Panel > Printers and Other Hardware > Printers and Faxes**. Right-click on your printer, select **Property**, and then click the **Optional Settings** tab.
2. Select **Acquire from Printer**, and then click **Get**.
Optional Paper Sources information is displayed in **Current Printer Information**.
3. Click **OK**.

Setting the Optional Paper Cassette Unit in the Printer Driver - Mac OS X

1. Select **System Preferences** from the  menu > **Printers & Scanners** (or **Print & Scan, Print & Fax**), and then select the printer. Click **Options & Supplies > Options** (or **Driver**).
2. Set **Lower Cassette** according to the number of paper cassettes.

3. Click **OK**.

Where to Get Help

Technical Support Web Site

If you need further help, visit the Epson support website shown below. Select your country or region and go to the support section of your local Epson website. The latest drivers, FAQs, manuals, or other downloadables are also available from the site.

<http://support.epson.net/>

<http://www.epson.eu/Support> (Europe)

If your Epson product is not operating properly and you cannot solve the problem, contact Epson support services for assistance.

Contacting Epson Support

Before Contacting Epson

If your Epson product is not operating properly and you cannot solve the problem using the troubleshooting information in your product manuals, contact Epson support services for assistance. If Epson support for your area is not listed below, contact the dealer where you purchased your product.

Epson support will be able to help you much more quickly if you give them the following information:

- Product serial number
(The serial number label is usually on the back of the product.)
- Product model
- Product software version
(Click **About**, **Version Info**, or a similar button in the product software.)
- Brand and model of your computer
- Your computer operating system name and version
- Names and versions of the software applications you normally use with your product

Note:

Depending on the product, the dial list data for fax and/or network settings may be stored in the product's memory. Due to breakdown or repair of a product, data and/or settings may be lost. Epson shall not be responsible for the loss of any data, for backing up or recovering data and/or settings even during a warranty period. We recommend that you make your own backup data or take notes.

Help for Users in Europe

Check your Pan-European Warranty Document for information on how to contact Epson support.

Help for Users in Taiwan

Contacts for information, support, and services are:

World Wide Web

<http://www.epson.com.tw>

Information on product specifications, drivers for download, and products enquiry are available.

Epson HelpDesk

Phone: +886-2-80242008

Our HelpDesk team can help you with the following over the phone:

- Sales enquiries and product information
- Product usage questions or problems
- Enquiries on repair service and warranty

Repair service center:

<http://www.tekcare.com.tw/branchMap.page>

TekCare corporation is an authorized service center for Epson Taiwan Technology & Trading Ltd.