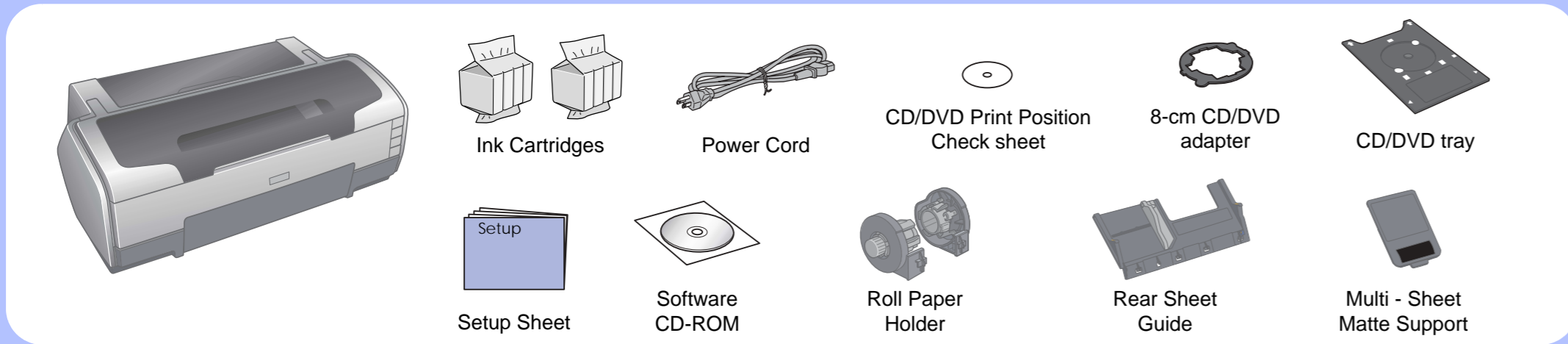
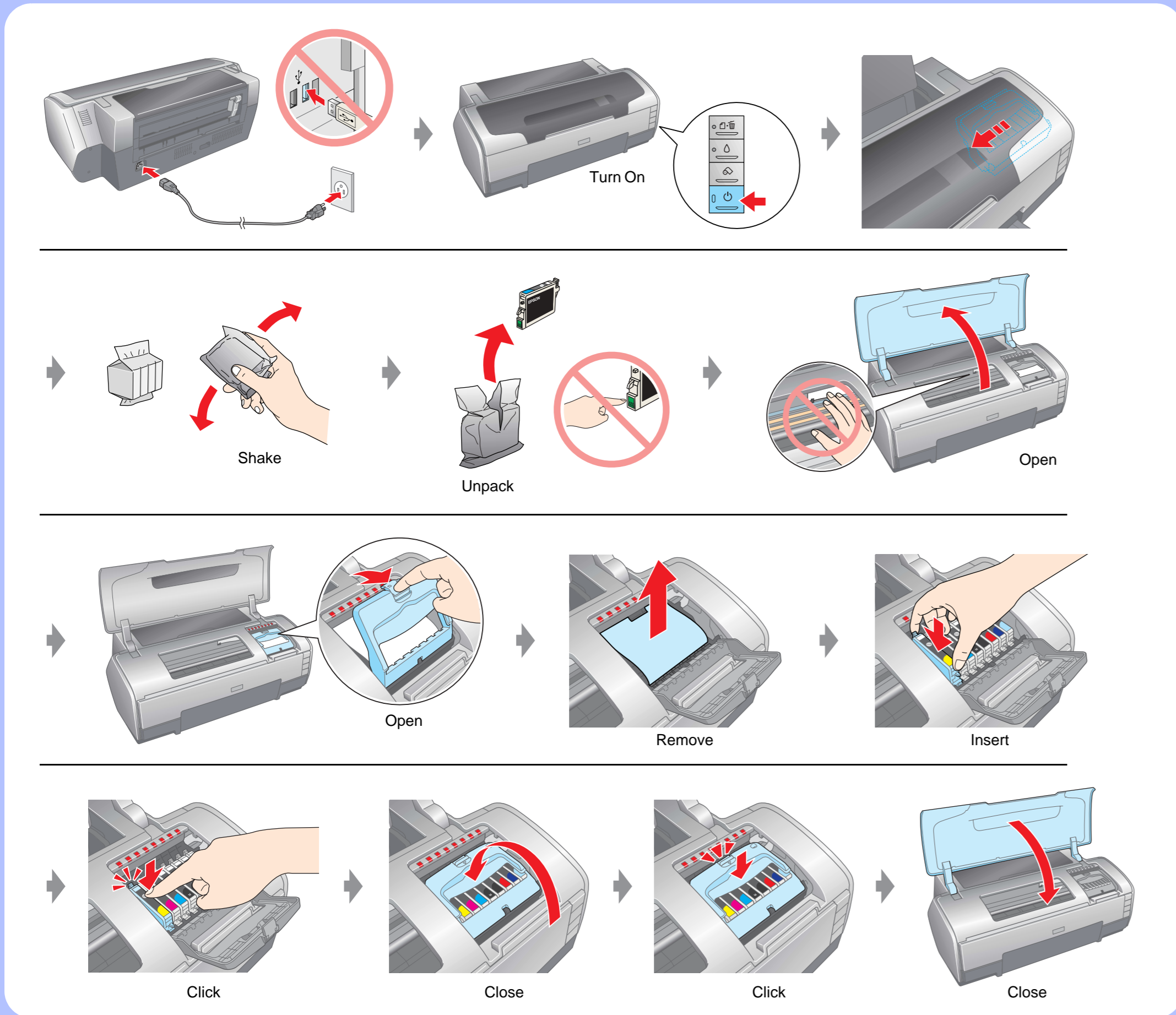


Setup

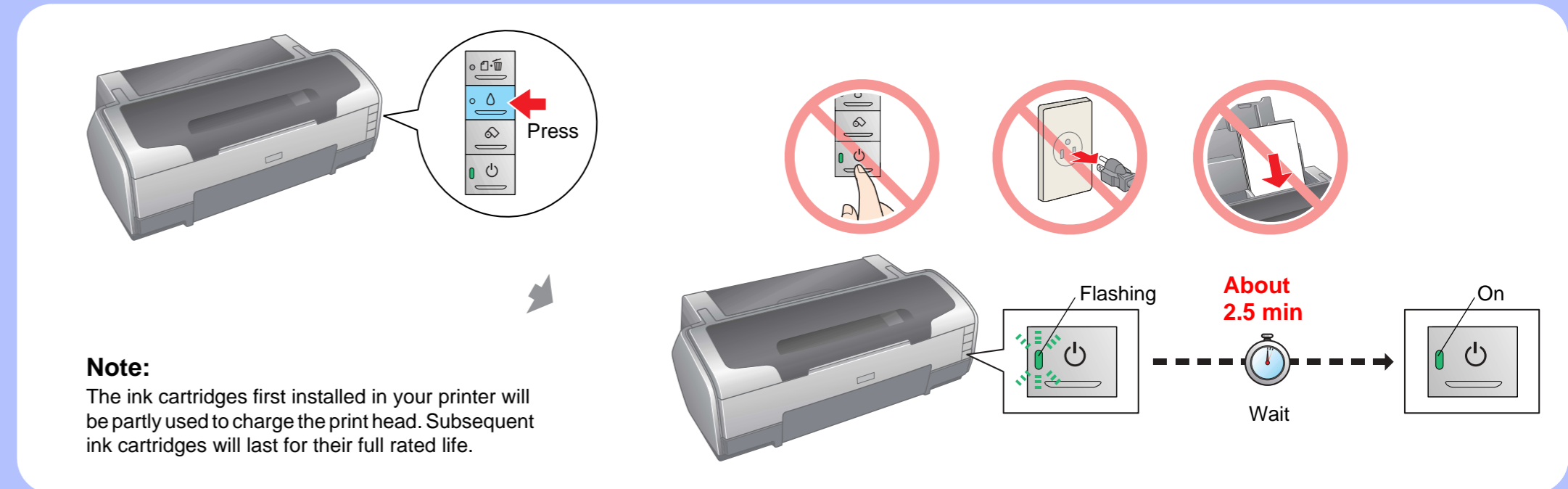
1. Unpacking



2. Plug in and Installing the Ink Cartridges



3. Ink Charging



Safety Instructions

Read all of the instructions in this section when setting up and using your printer.

When choosing a place for the printer

- ❑ Avoid places subject to rapid changes in temperature and humidity. Also, keep the printer away from direct sunlight, strong light, or heat sources.
- ❑ Avoid places subject to dust, shocks, or vibrations.
- ❑ Leave enough room around the printer to allow for sufficient ventilation.
- ❑ Place the printer near a wall outlet where the plug can be easily unplugged.
- ❑ Place the printer on a flat, stable surface that extends beyond the base of the printer in all directions. If you place the printer by the wall, leave more than 10 cm between the back of the printer and the wall. The printer will not operate properly if it is tilted at an angle.
- ❑ When storing or transporting the printer, do not tilt it, stand it on its side, or turn it upside down. Otherwise ink may leak from the cartridge.

When choosing a power source

- ❑ Use only the type of power source indicated on the printer's label.
- ❑ Use only the power cord that comes with this product. Use of another cord may result in fire or electric shock.
- ❑ This product's power cord is for use with this product only. Use with other equipment may result in fire or electric shock.
- ❑ Be sure your AC power cord meets the relevant local safety standard.
- ❑ Do not use a damaged or frayed power cord.
- ❑ If you use an extension cord with the printer, make sure that the total ampere rating of the devices plugged into the extension cord does not exceed the cord's ampere rating. Also, make sure that the total ampere rating of all devices plugged into the wall outlet does not exceed the wall outlet's ampere rating.
- ❑ If you plan to use the printer in Germany, the building installation must be protected by a 10 or 16 amp circuit breaker to provide adequate short-circuit protection and over-current protection for this printer.

When handling ink cartridges

- ❑ Keep ink cartridges out of the reach of children. Do not allow children to drink from or otherwise handle the cartridges.
- ❑ Do not open the ink cartridge packages until just before you install them.
- ❑ Shake the new ink cartridges four or five times before opening the packages.

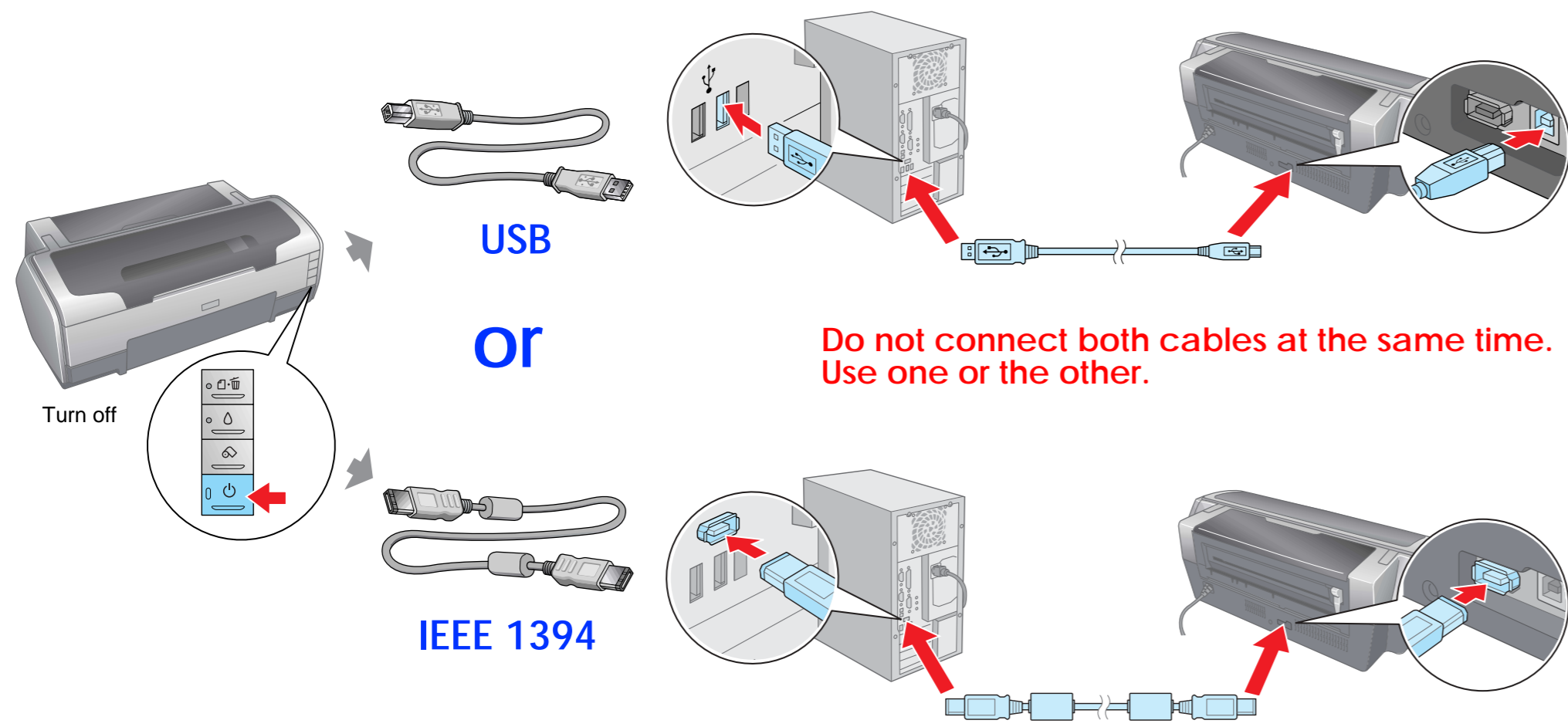
- ❑ Do not shake the ink cartridges after opening the packages; this can cause leakage.
- ❑ Be careful not to break the hooks on the side of the ink cartridge when you remove it from the package.
- ❑ Be careful when you handle used ink cartridges, as there may be some ink remaining around the ink supply port. If ink gets on your skin, wash the area thoroughly with soap and water. If ink gets into your eyes, flush them immediately with water. If discomfort or vision problems remain after a thorough flushing, see a doctor immediately.
- ❑ Do not remove or tear the label on the cartridge; this can cause leakage.
- ❑ Do not touch the green IC chip on the side of the cartridge.
- ❑ The IC chip on this ink cartridge retains a variety of cartridge related-information, such as the amount of ink remaining, so that a cartridge may be removed and reinserted freely. However, each time the cartridge is inserted, some ink is consumed because the printer automatically performs a reliability check.
- ❑ Store ink cartridge with its label facing upward. Do not store cartridge upside down.

When using the printer

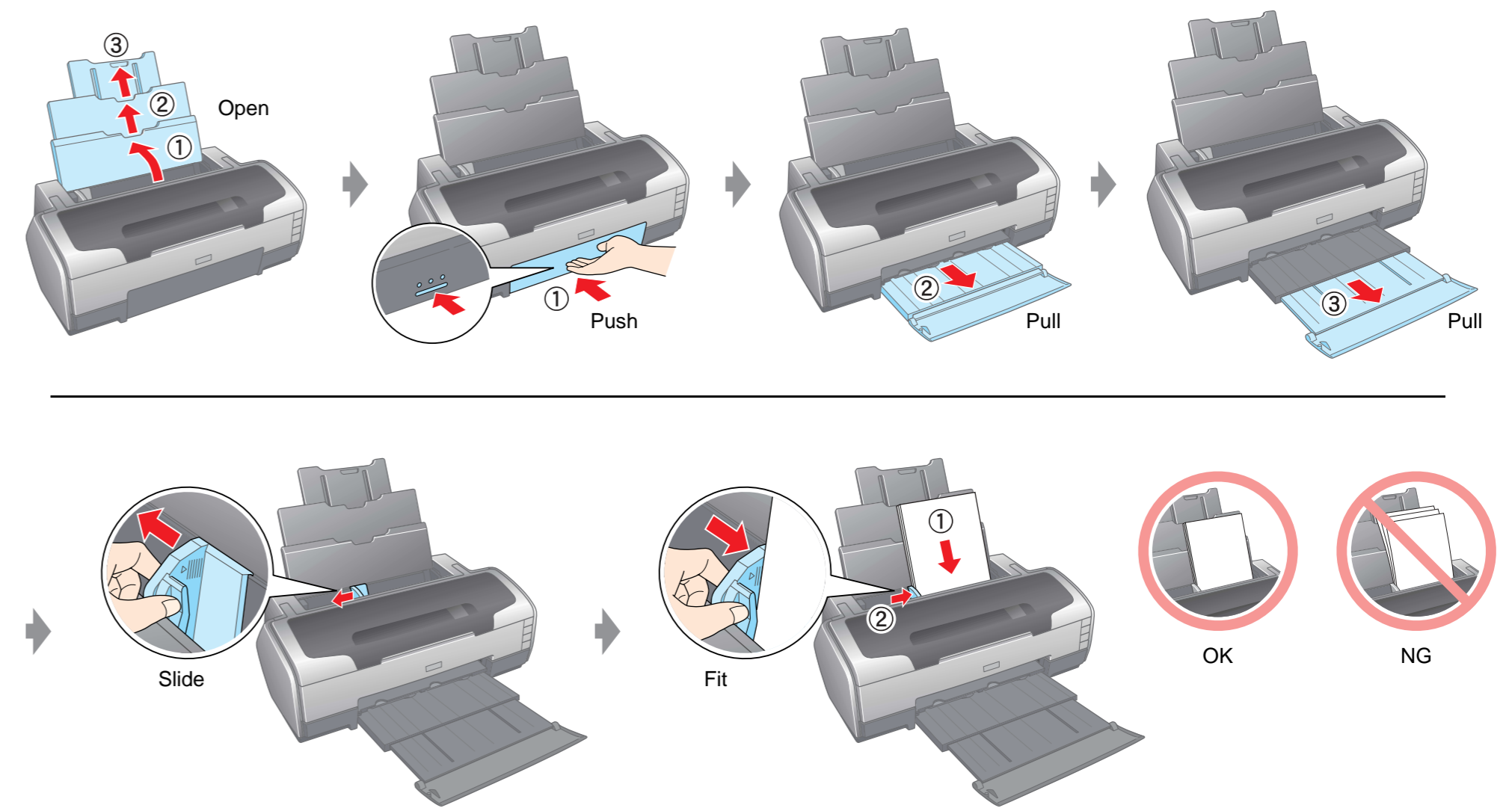
- ❑ Do not put your hand inside the printer or touch the ink cartridges during printing.
- ❑ Do not block or cover the vents and the openings in the printer.
- ❑ Do not attempt to service the printer yourself.
- ❑ Unplug the printer and refer servicing to qualified service personnel under the following conditions:
The power cord or plug is damaged; liquid has entered the printer; the printer has been dropped or the casing damaged; the printer does not operate normally or exhibits a distinct change in performance.
- ❑ Do not insert objects through the slots in the printer.
- ❑ Take care not to spill liquid on the printer.
- ❑ Leave the ink cartridges installed. Removing the cartridges can dehydrate the print head and may prevent the printer from printing.
- ❑ When connecting this product to a computer or other device with a cable, ensure the correct orientation of the connectors. Each connector has only one correct orientation. Inserting a connector in the wrong orientation may damage both devices connected by the cable.



4. Connecting to a Computer

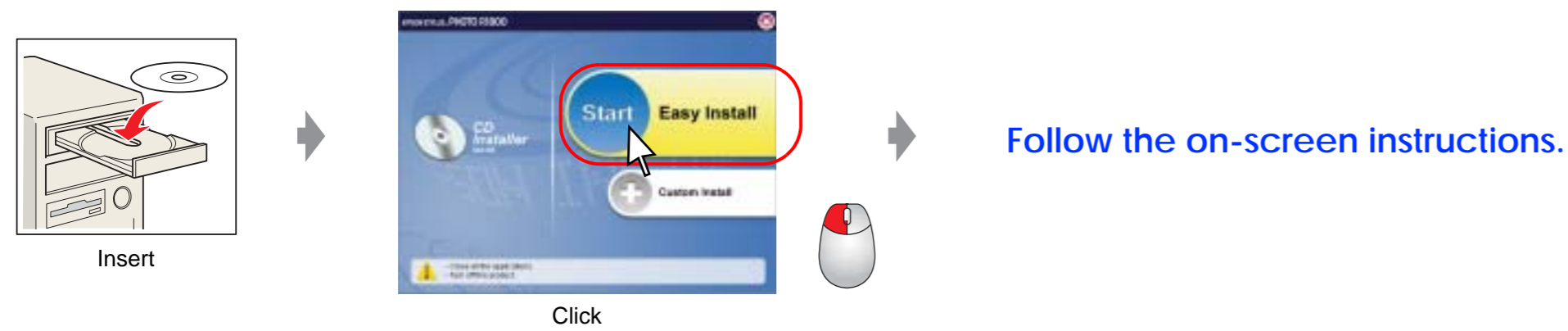


6. Loading Paper



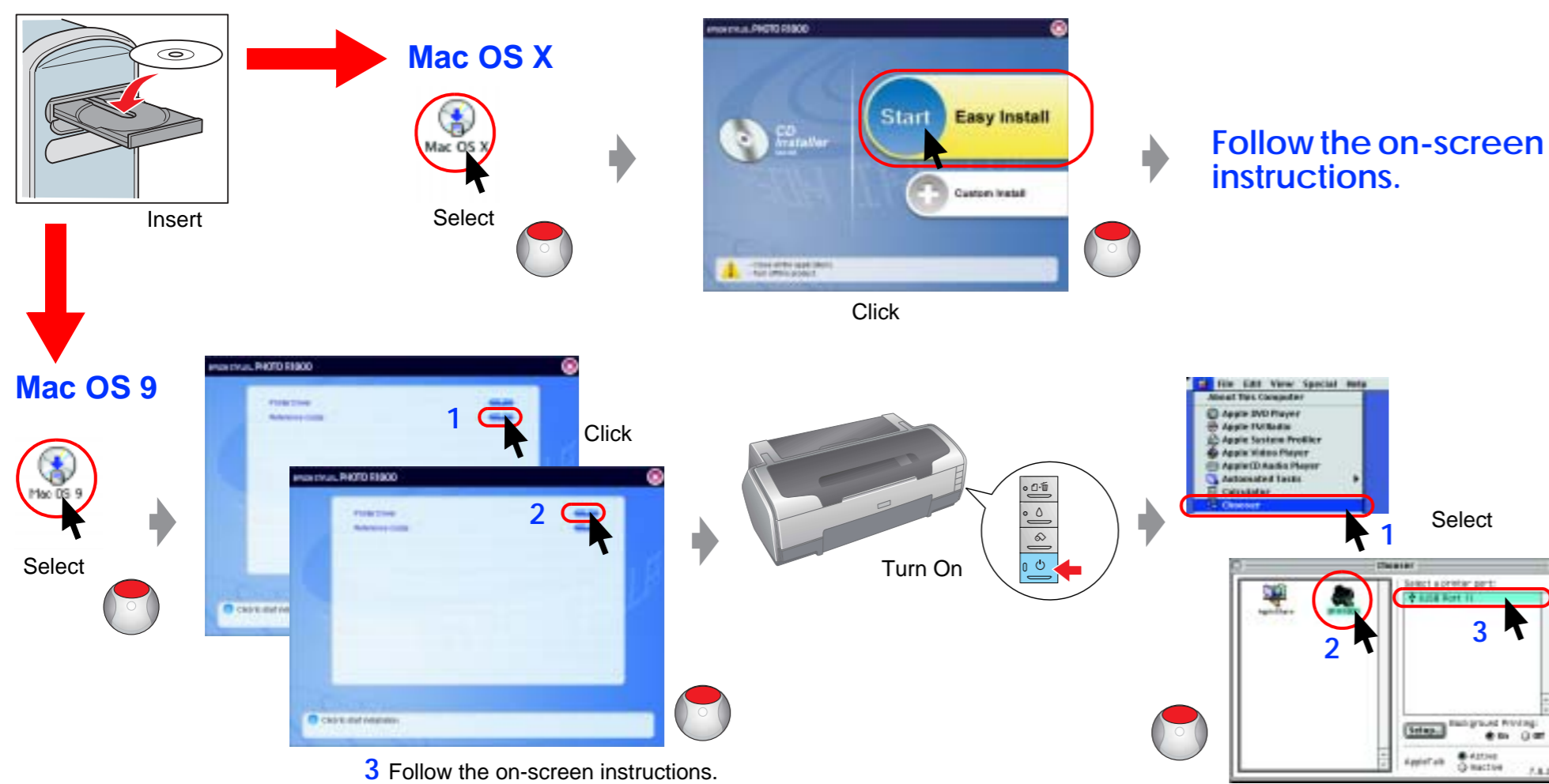
5. Installing the Software

For Windows



□ If the installer dialog box does not appear, double-click CD-ROM icon.

For Macintosh



7. Getting More Information

