

Setup

English

4040959-00
xxx

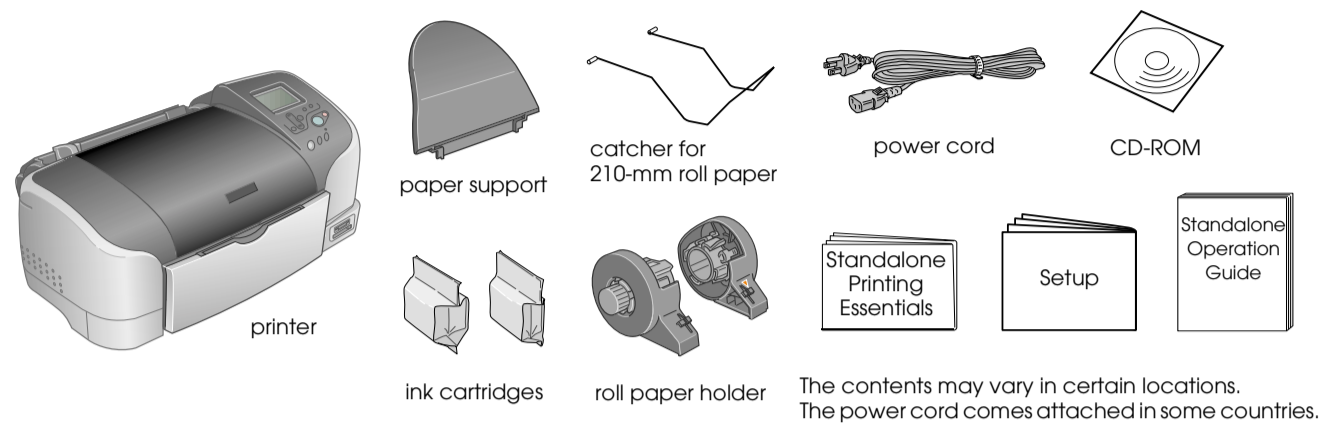
Cautions and Notes

Caution: must be observed to avoid damage to your equipment.

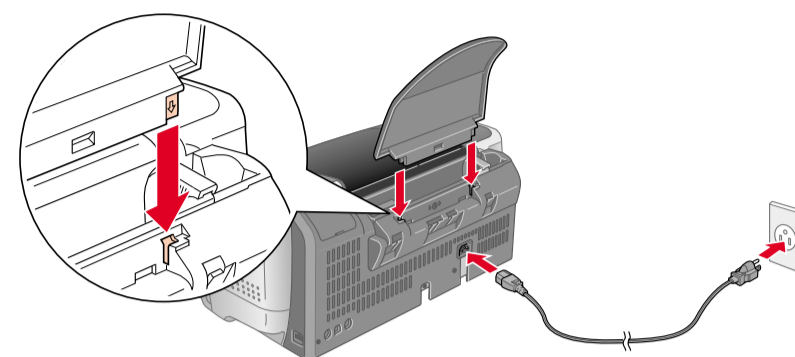
Notes: contain important information and useful tips on the operation of your printer.

1 Unpacking

1. Unpack the printer.

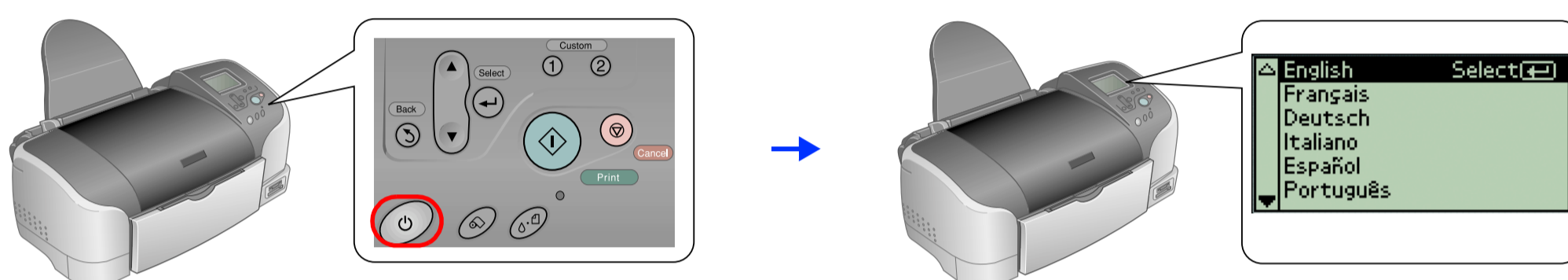


2. Attach the paper support and plug in the printer.

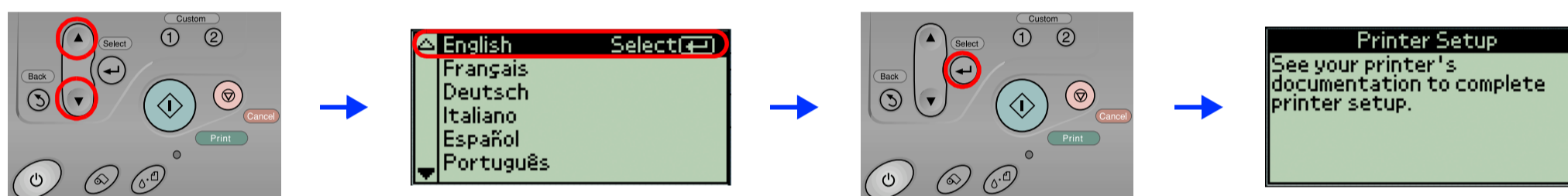


2 Installing the Ink Cartridges

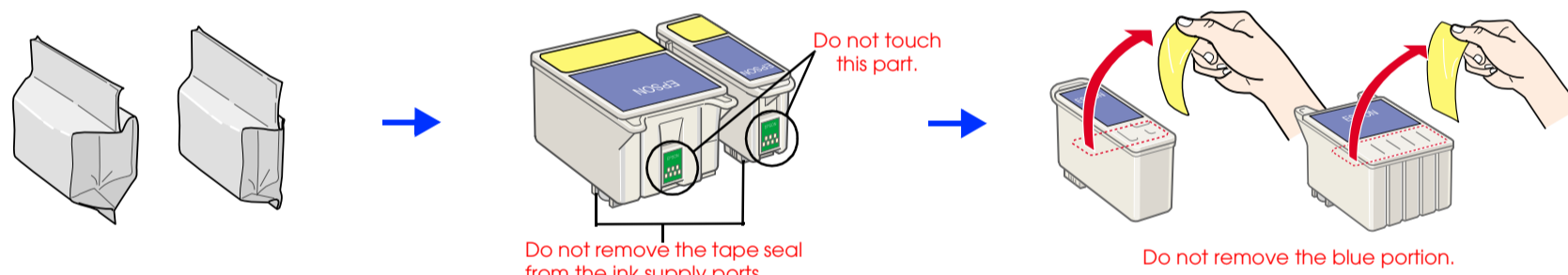
1. Press button to turn on the printer.



2. Press the button to highlight your preferred language, then press the Select button.

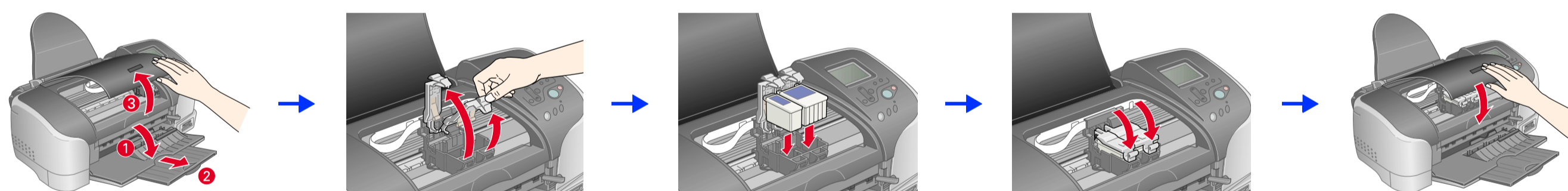


3. Remove the ink cartridges from their protective bags, then peel off the yellow tape.



Caution: Do not shake the ink cartridges; this can cause leakage.

4. Install the ink cartridges as shown below.



Caution: Do not move the print head by hand; otherwise, you may damage the printer.

Note: Install both ink cartridges. The printer will not work unless both cartridges are properly installed.

5. Press the maintenance button to start charging ink. Charging takes about two minutes.

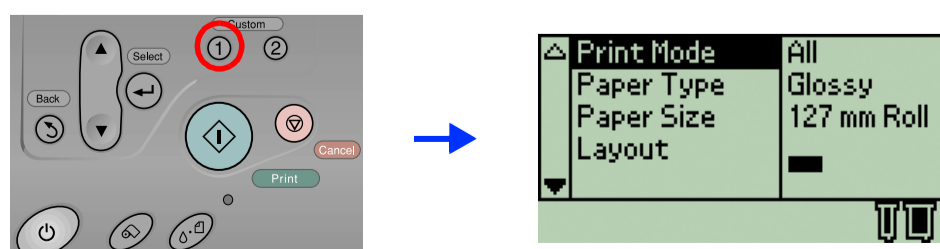


Caution:

- Do not turn off the printer during the ink charging process.
- Do not load paper until ink charging is complete.

Note: The ink cartridges packaged with your printer are partly used during initial setup. In order to produce high quality printouts, the print head in your printer will be fully charged with ink. This one-off process consumes a quantity of ink and subsequent cartridge sets will last for their full rated life.

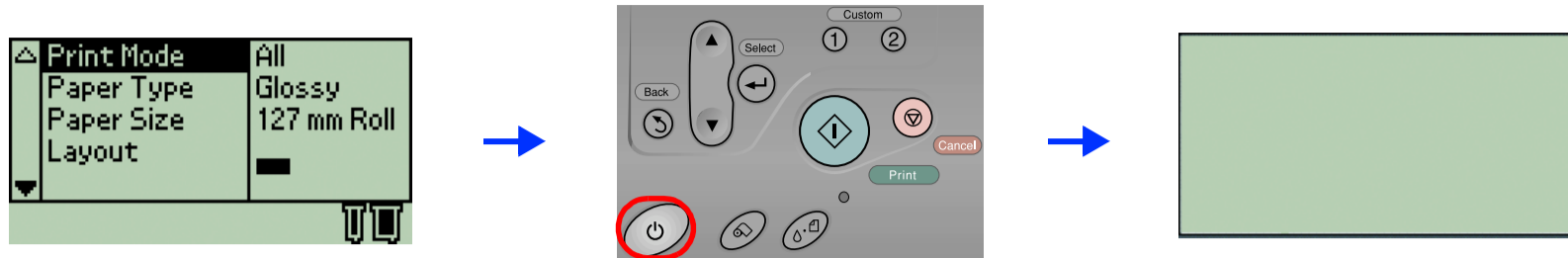
6. Press the Custom button to finish.



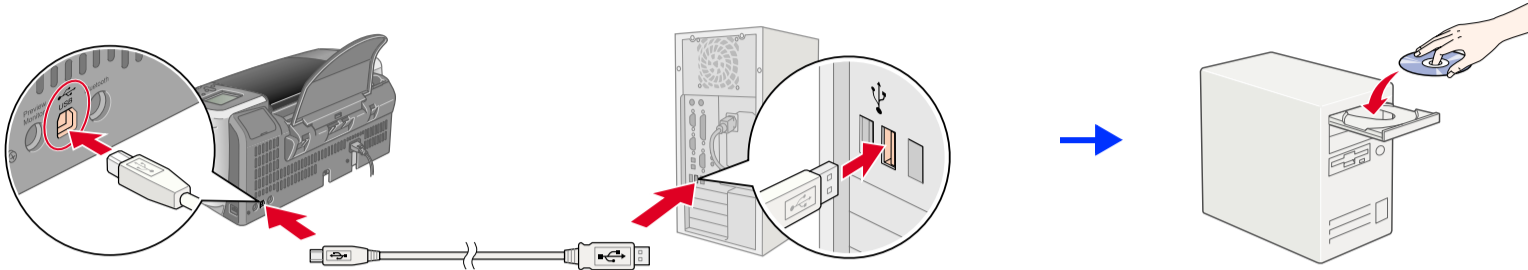
Your printer is now set up and ready to print directly from a memory card. Refer to the Standalone Operation Guide for instructions. To use the printer with a computer, refer to the other side of this sheet.

3 Installing the Printer Software

1. Press the power button to turn off the printer.



2. Connect the printer and computer with a USB cable, then insert the printer software CD into the CD-ROM drive.



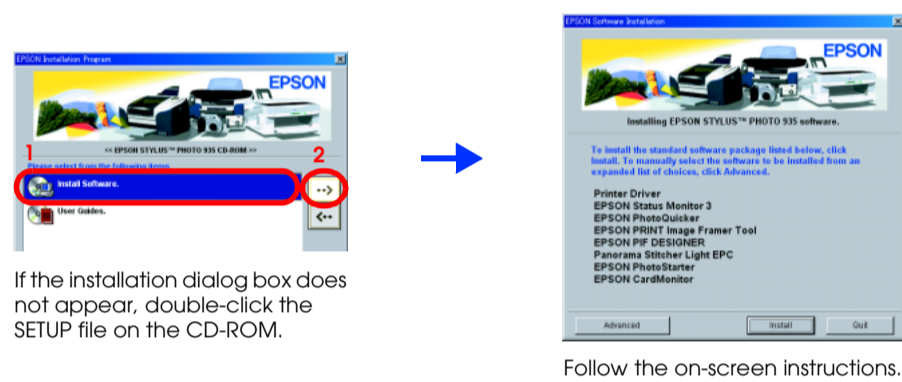
3. Install the printer software.

Except where otherwise instructed, click or double-click the areas circled in red to proceed.

Caution: Macintosh users turn off all virus protection programs before installing the printer software.

Note: For information about installing the Photo Print Software, refer to the Photo Print Software Setup under User Guides on the printer software CD.

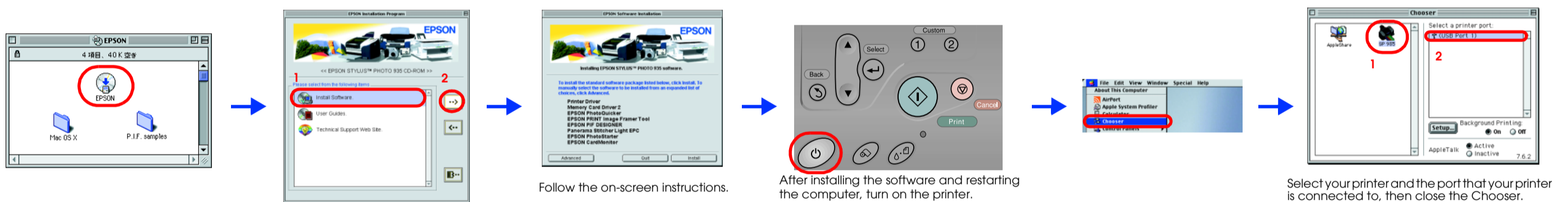
For Windows



If the installation dialog box does not appear, double-click the SETUP file on the CD-ROM.

Follow the on-screen instructions.

For Mac OS 8.6 to 9.X



Follow the on-screen instructions.

After installing the software and restarting the computer, turn on the printer.

Select your printer and the port that your printer is connected to, then close the Chooser.

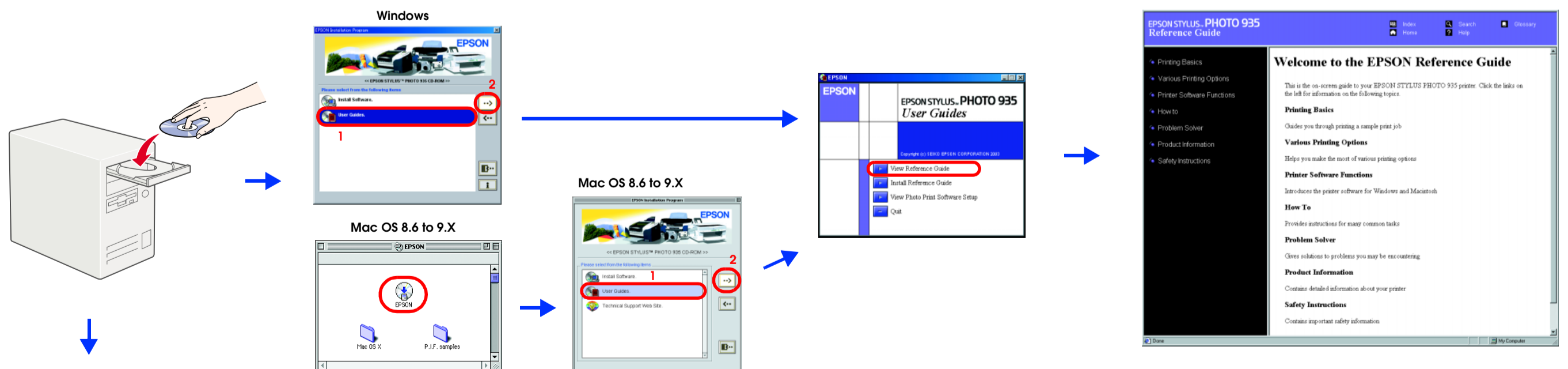
For Mac OS X

1. Open the **Mac OS X** folder, then double-click the **SP935.pkg** icon. If the Authorization dialog box appears, click the icon, enter the **Password or phrase**, then click **OK**.
2. Follow the on-screen instructions to install the printer software.
3. After installing the software and restarting the computer, turn on the printer.
4. Open the **Applications** folder on your hard drive, then open the **Utilities** folder and double-click the **Print Center** icon. Click **Add Printer** in the Printer List dialog box.
5. Select **EPSON USB** from the pop-up menu. Select **SP935(USB)**, then click **Add**. Make sure your printer appears in the Printer List, then close Print Center.
6. Open the **Mac OS X** folder, then double-click the **EPSONUSBStorageInstall** icon. If the Authorization dialog box appears, click the icon, enter the **Password or phrase**, then click **OK**.
7. Follow the on-screen instructions to install the software.

After installation is complete, see **Printing Basics** in the *Reference Guide* for detailed information about printing from your computer for the first time.

4 Accessing the Reference Guide

The *Reference Guide* provides detailed information about printing from a computer, printer maintenance, problem solving, and safety.



For Mac OS X

1. Use the scroll bar to scroll down until the **English** folder appears, then open it.
2. Open the **User Guides** folder, then open the **REF_G** folder.
3. Double-click the **INDEX.HTM** icon to open the *Reference Guide*.

All rights reserved. No part of this publication may be reproduced, stored in a retrieval system, or transmitted in any form or by any means, electronic, mechanical, photocopying, recording, or otherwise, without the prior written permission of SEIKO EPSON CORPORATION. The information contained herein is designed only for use with this EPSON printer. EPSON is not responsible for any use of this information as applied to other printers. Neither SEIKO EPSON CORPORATION nor its affiliates shall be liable to the purchaser of this product or third parties for damages, losses, costs, or expenses incurred by the purchaser or third parties as a result of accident, misuse, or abuse of this product or unauthorized modifications, repairs, or alterations to this product, or (excluding the U.S.) failure to strictly comply with SEIKO EPSON CORPORATION's operating and maintenance instructions.

SEIKO EPSON CORPORATION shall not be liable for any damages or problems arising from the use of any options or any consumable products other than those designated as Original EPSON Products or EPSON Approved Products by SEIKO EPSON CORPORATION. SEIKO EPSON CORPORATION shall not be held liable for any damage resulting from electromagnetic interference that occurs from the use of any interface cables other than those designated as EPSON Approved Products by SEIKO EPSON CORPORATION. EPSON is a registered trademark and EPSON Stylus is a trademark of SEIKO EPSON CORPORATION.

Microsoft and Windows are registered trademarks of Microsoft Corporation. Apple and Macintosh are registered trademarks of Apple Computer, Inc.

General Notice: Other product names used herein are for identification purposes only and may be trademarks of their respective owners. EPSON disclaims any and all rights in those marks.