

Setup

English

4022462-00
xxx

Cautions and Notes

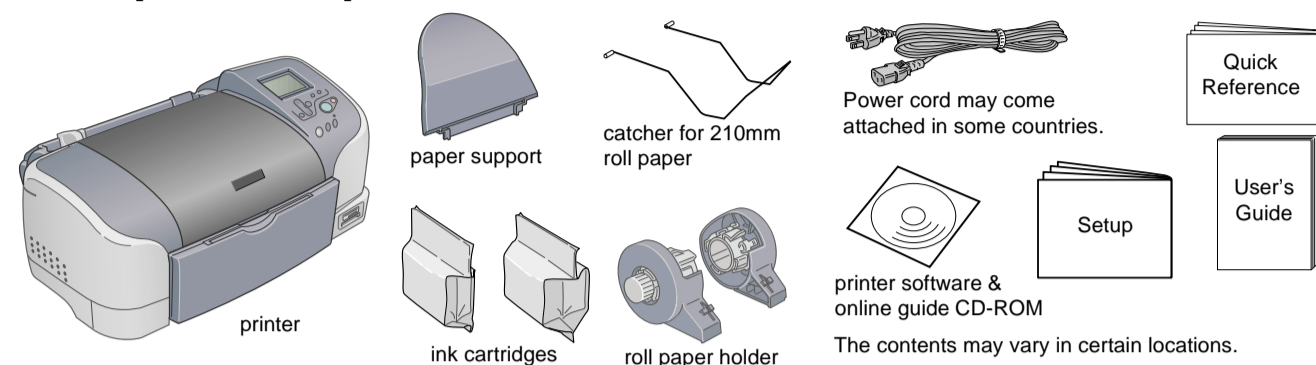
! **Cautions** must be observed to avoid damage to your equipment.

Notes contain important information and useful tips on the operation of your printer.

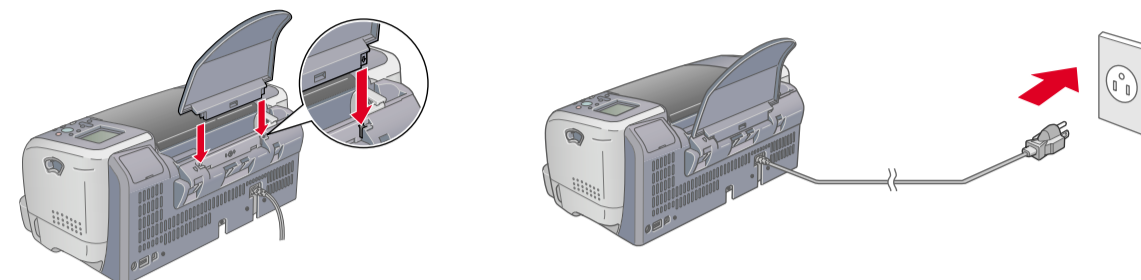
1 Unpacking

Unpacking the printer and attaching the printer parts

1. Unpack the printer



2. Attach the printer parts



! **Caution:** If the printer comes on when you plug in the power cord, turn off the printer by pressing down the power button until the printer lights go out.

2 Setting up

Install the Ink Cartridges

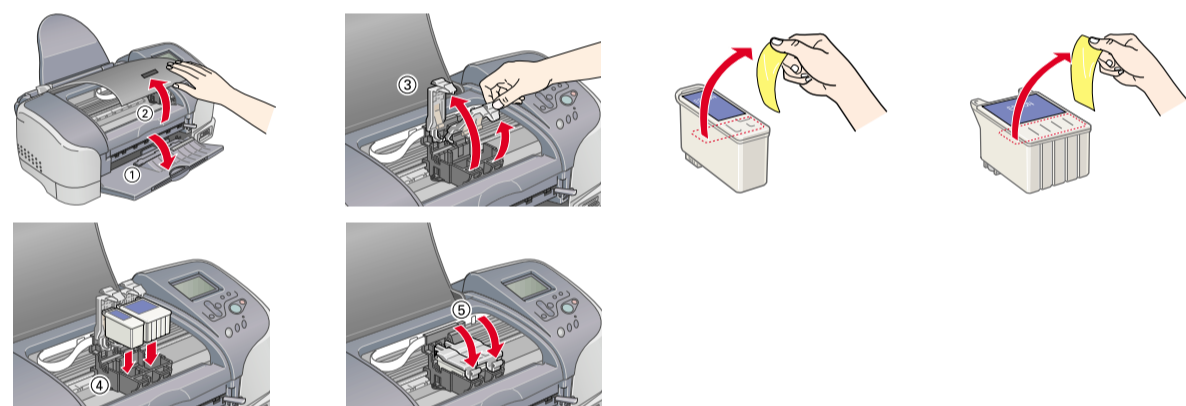
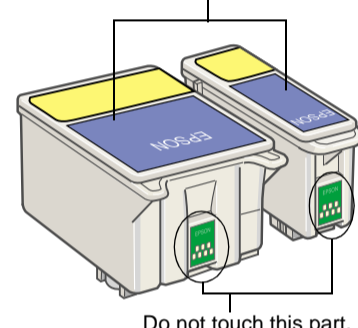
- Turn on the printer. The language selection is displayed in the LCD panel.
- Press the or button to select the language, then press the Select button. The message "See your printer's documentation to complete printer setup" is displayed.
- Remove the new ink cartridges from their protective bag.

Do not remove the blue portion of the tape seal from the top of the cartridge.

- Insert the ink cartridges.

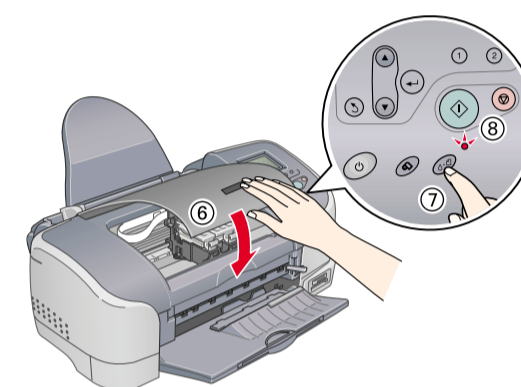
Note:

Install all ink cartridges. The printer will not work unless all cartridges are installed properly.



- Press the Maintenance button.

The printer begins ink charging. It takes about one and half minutes. The progress bar is displayed in the LCD panel during charging. While charging, the printer produces a variety of mechanical sounds. This is normal.



!

- Do not turn the power off during the ink charging process.
- Do not load paper until ink charging is complete.

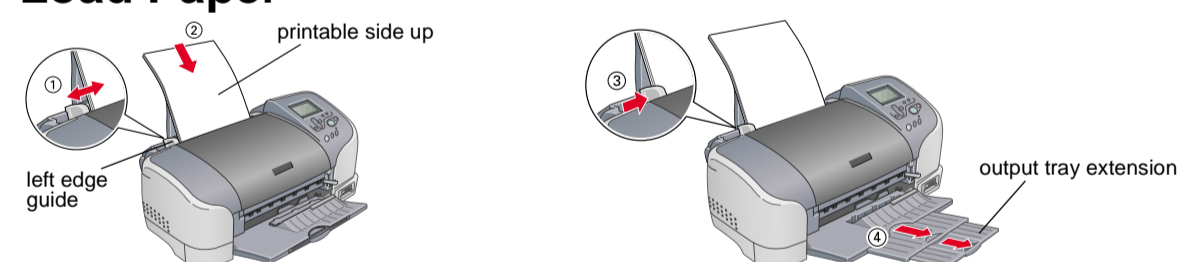
- After ink charging is finished, the message "Printer setup is complete. Press 1 to finish." is displayed in the LCD panel. Press the custom button 1.

Note:

The ink cartridges packaged with your printer are partly used during initial setup. In order to produce high quality printouts, the print head in your printer will be fully charged with ink. This one-off process consumes a quantity of ink and subsequent cartridge sets will last for their full rated life.

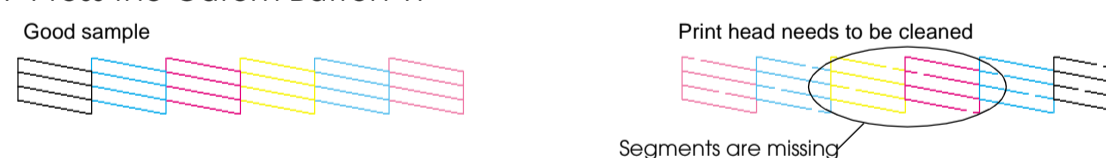
3 Checking the Printer

Load Paper



Check the Print head nozzle

- Press the Maintenance Button.
- Select Nozzle Check.
- Press the Custom Button 1.



If the nozzle check page print satisfactorily, press the Custom Button 1 to finish. If the nozzle check page does not print satisfactorily, press the Custom Button 2 to clean the Print head, then press the Custom Button 1 to check the Print Head Nozzle again.

Your printer is now set up and ready to print directly from a memory card. Refer to User's Guide and Quick Reference for instructions. For the use with a computer, refer to the other side of this sheet.

Safety Instructions

Read all of the instructions in this section when setting up and using your printer.

When choosing a place for the printer

- Avoid places subject to rapid changes in temperature and humidity. Also, keep the printer away from direct sunlight, strong light, or heat sources.
- Avoid places subject to dust, shocks, and vibrations.
- Leave enough room around the printer to allow for sufficient ventilation.
- Place the printer near a wall outlet where the plug can be easily unplugged.
- Place the printer on a flat, stable surface that extends beyond the printer base in all directions. If you place the printer by a wall, leave more than 10 cm between the back of the printer and the wall. The printer will not operate properly if it is tilted at an angle.
- When storing or transporting the printer, don't tilt it, stand it on its side or turn it upside down. Otherwise ink may leak from the cartridge.

When choosing a power source

- Use only the type of power source indicated on the printer's label.
- Be sure your AC power cord meets the relevant local safety standard.
- Do not use a damaged or frayed power cord.
- If you use an extension cord with the printer, make sure that the total ampere rating of the devices plugged into the extension cord does not exceed the cord's ampere rating. Also, make sure that the total ampere rating of all devices plugged into the wall outlet does not exceed the wall outlet's ampere rating.
- If you plan to use the printer in Germany, the building installation must be protected by a 10 or 16 amp circuit breaker to provide adequate short-circuit protection and over-current protection for this printer.

When handling ink cartridges

- Do not open the ink cartridge packages until just before you install them.
- Do not shake the used ink cartridges; this can cause leakage.
- Keep ink cartridges out of the reach of children. Do not allow children to drink from or otherwise handle the cartridges.
- Be careful when you handle used ink cartridges, as there may be some ink remaining around the ink supply port. If ink gets on your skin, wash the area thoroughly with soap and water. If ink gets into your eyes, flush them immediately with water. If discomfort or vision problems remain after a thorough flushing, see a doctor immediately.

- Do not touch or remove the green IC chip that is located on the side of the cartridge.
- Do not remove or tear the label on the cartridge; this can cause leakage.
- Store each ink cartridge so that the bottom of its packaging faces down.

When using the printer

- Do not put your hand inside the printer or touch the ink cartridges during printing.
- Do not block or cover the openings in the printer's cabinet.
- Do not attempt to service the printer yourself.
- Unplug the printer and refer servicing to qualified service personnel under the following conditions:
 - The power cord or plug is damaged; liquid has entered the printer; the printer has been dropped or the cabinet damaged; the printer does not operate normally or exhibits a distinct change in performance.
- Do not insert objects through the slots in the printer's cabinet.
- Take care not to spill liquid on the printer.
- Leave the ink cartridges installed. Removing the cartridges can dehydrate the printer head and may prevent the printer from printing.

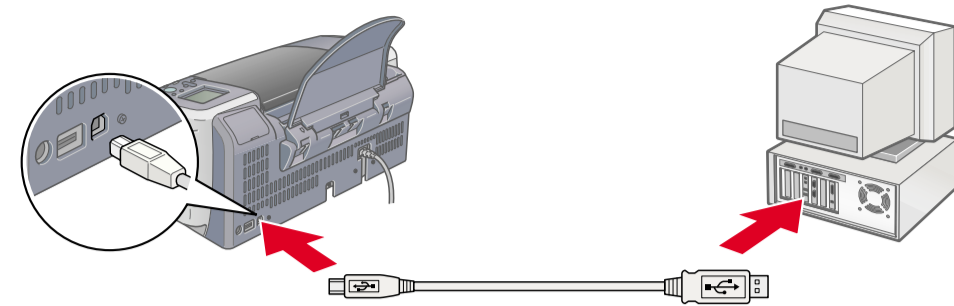
When using the Automatic Roll Paper Cutter

- Keep the cutter out of the reach of children.
- Do not touch the paper ejection part and cutter blade.
- Do not place the cutter on an unstable surface (such as on an unstable table or a tilted surface).
- Do not disassemble or modify the cutter.

4 Install the Printer Software

1. Connect the printer with USB cable

Make sure that the printer is off.



2. Install the Printer Software

Note:

For installing the Photo Print Software, refer to the Photo Print Software Setup on the online Reference Guide.

For Windows

1. Make sure that the printer is off.
2. Insert the printer software CD in the CD-ROM drive.
If the Installer dialog box does not appear, double-click **SETUP.EXE** in the CD-ROM.



3. Select **Install Software**, and click **→**.
4. Follow the on-screen instructions.

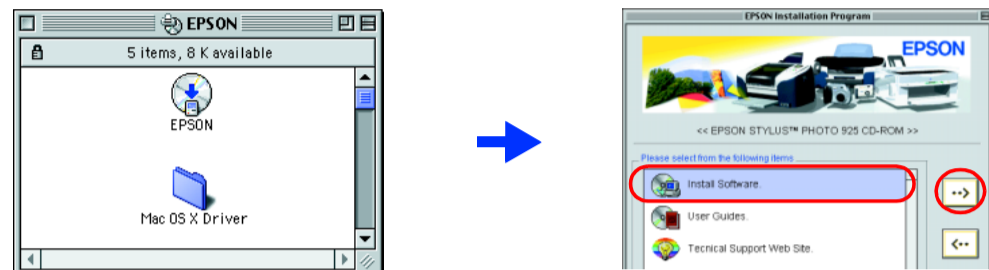
For Macintosh

! Caution:

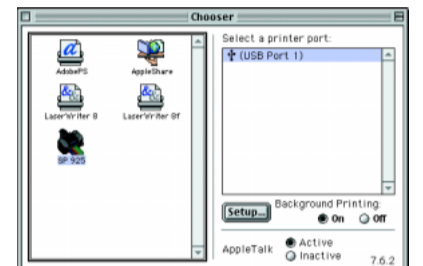
Turn off all virus protection programs before you install the printer software.

For Mac OS 8.5.1/8.6/9.X users

1. Insert the printer software CD in the CD-ROM drive.
2. Double-click the **EPSON** icon, select **Install Software**, and then click **→**.



3. Follow the on-screen instructions to install the printer software.
4. After installing the software, choose **Chooser** from the Apple menu, and then select the icon for your printer and the port that your printer is connected to.



For Mac OS X users

1. Insert the printer software CD in the CD-ROM drive.
2. Double-click the **Mac OS X Driver** folder, and then double-click the **SP925.pkg** icon inside it.
If the Authorization window opens, click the key icon, enter the administrator's name and password, click **OK**, and then click **Continue**.
3. Follow the on-screen instructions to install the printer software.
4. After installing the software, follow the instruction below to select your printer:
Double-click **Macintosh HD**. (by default setting) → Double-click the **Application** folder. → Double-click the **Utilities** folder. → Double-click the **Print Center** icon. → Click **Add**. → Select **EPSON USB**. → Select your printer. → Click **Add**.
5. Double-click the **Mac OS X Driver** folder in the CD, and then double click the **EPSONUSBStorageInstall.pkg** icon inside it. Then follow the on-screen instructions to install the external storage driver.

5 Accessing the Online Reference Guide

See "Printing Basics" on the online Reference Guide for detailed instructions when printing from the computer for the first time.

The online Reference Guide also contains information on the following:

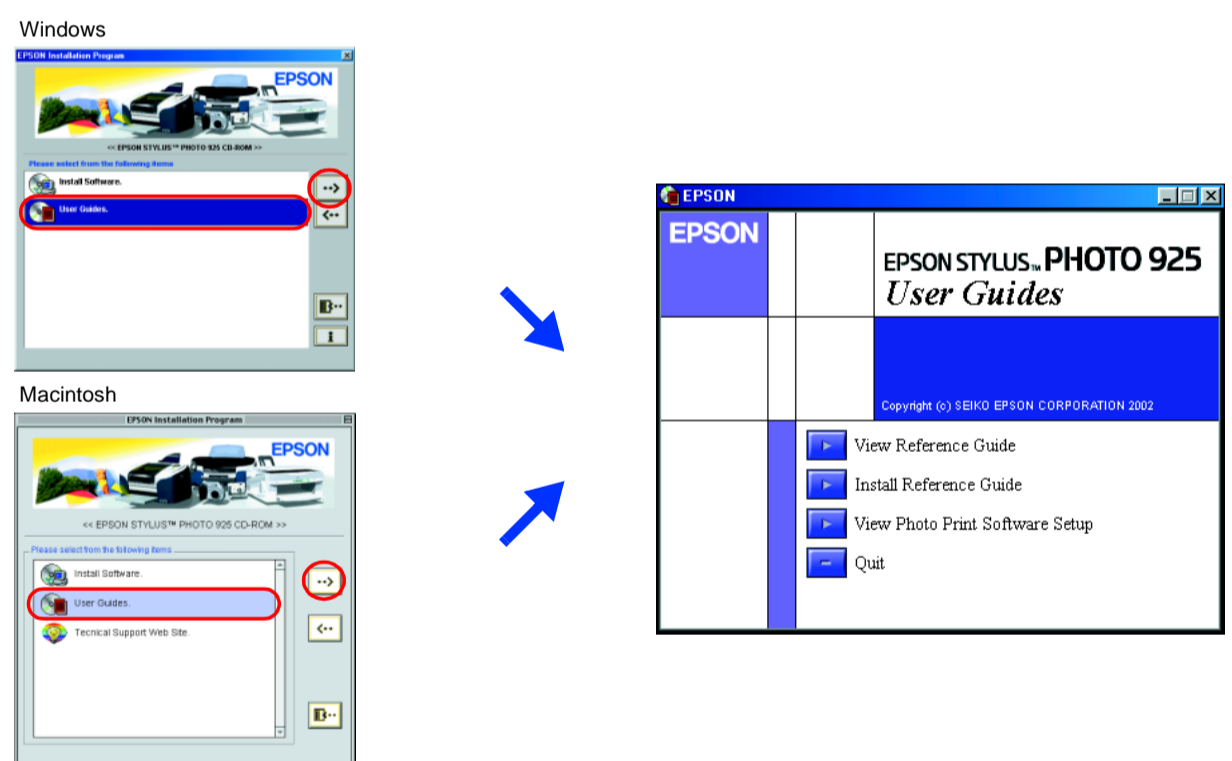
- Various printing options
- How To
- Problem Solver
- Product Information
- Safety Instructions

Please refer to it for more details.

Follow these steps to access the online Reference Guide.

1. Insert the printer software CD in the CD-ROM drive.
2. For Windows, select **User Guides** in the dialog box, and then click **→**.
For Macintosh, double-click the **EPSON** icon, select **User Guides**, and then click **→**.

On Mac OS X, the dialog box does not appear when the printer software CD is inserted. To access the online Reference Guide, double-click **English\User Guides\REF_G\INDEX.HTM** in the **EPSON** folder.



Problem Solver

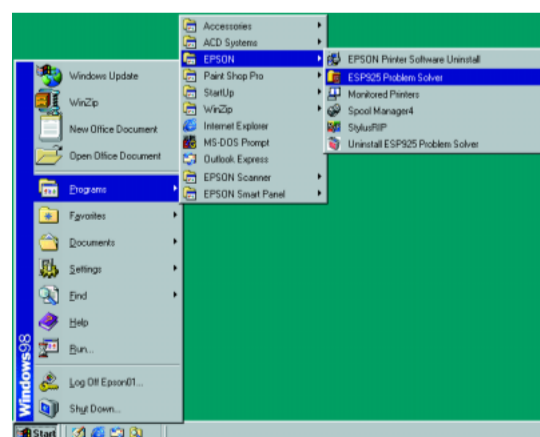
Online problem solving

The Problem Solver and EPSON's Technical Support Web Site provide you with tips to help solve problems. Access the Problem Solver or Technical Support in the following ways:

For Windows users

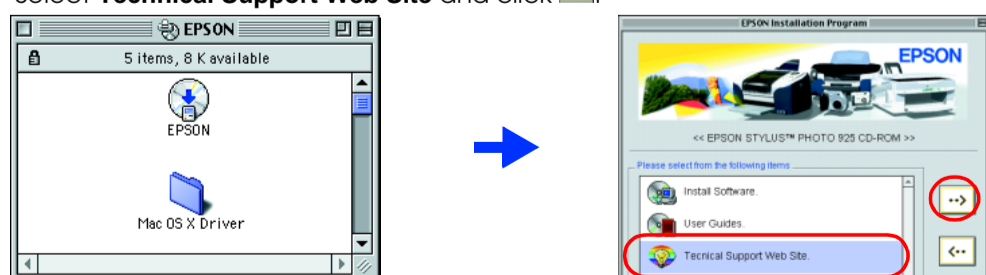
- Click **Start**, point to **Programs** (for Windows Me, 2000, 98 users) or **All Programs** (for Windows XP users), then to **EPSON**, and then click **ESP925 Problem Solver**.
- You can also access them by clicking **Technical Support** in the Status Monitor 3 dialog box or on the Main menu of the printer software.

For further information on the customer support services available in your area, see the online Reference Guide.



For Macintosh 8.5.1/8.6/9.x users

1. Insert the CD in the CD-ROM drive.
2. Double-click **EPSON** icon.
3. Select **Technical Support Web Site** and click **→**.



For further information on the customer support services available in your area, see the online Reference Guide.

For Mac OS X users

Access the site at:
<http://support.epson.net/StylusPhoto925>

Error indicators

You can identify many common problems using the icons on the printer's LCD panel. And you can identify the error with the display on the LCD panel when the maintenance light is on or flashes.

Lights	Problem and Solution	
and blinks	Black ink low	The black ink cartridge is nearly empty. Obtain a replacement black ink cartridge.
blinks	Black ink out	The black ink cartridge is empty or is not installed. Replace the black ink cartridge with a new one.
and blinks	Color ink low	The color ink cartridge is nearly empty. Obtain a replacement color ink cartridge.
blinks	Color ink empty	The color ink cartridge is empty or not installed. Replace the color ink cartridge with a new one.

All rights reserved. No part of this publication may be reproduced, stored in a retrieval system, or transmitted in any form or by any means, electronic, mechanical, photocopying, recording, or otherwise, without the prior written permission of SEIKO EPSON CORPORATION. The information contained herein is designed only for use with this EPSON printer. EPSON is not responsible for any use of this information as applied to other printers. Neither SEIKO EPSON CORPORATION nor its affiliates shall be liable to the purchaser of this product or third parties for damages, losses, costs, or expenses incurred by the purchaser or third parties as a result of: accident, misuse, or abuse of this product or unauthorized modifications, repairs, or alterations to this product, or (excluding the U.S.) failure to strictly comply with SEIKO EPSON CORPORATION's operating and maintenance instructions.

SEIKO EPSON CORPORATION shall not be liable for any damages or problems arising from the use of any options or any consumable products other than those designated as Original EPSON Products or EPSON Approved Products by SEIKO EPSON CORPORATION. SEIKO EPSON CORPORATION shall not be held liable for any damage resulting from electromagnetic interference that occurs from the use of any interface cables other than those designated as EPSON Approved Products by SEIKO EPSON CORPORATION. EPSON is a registered trademark and EPSON Stylus is a trademark of SEIKO EPSON CORPORATION. Microsoft and Windows are registered trademarks of Microsoft Corporation.

Apple and Macintosh are registered trademarks of Apple Computer, Inc.

General Notice: Other product names used herein are for identification purposes only and may be trademarks of their respective owners. EPSON disclaims any and all rights in those marks.