

Setting Up the Printer Hardware

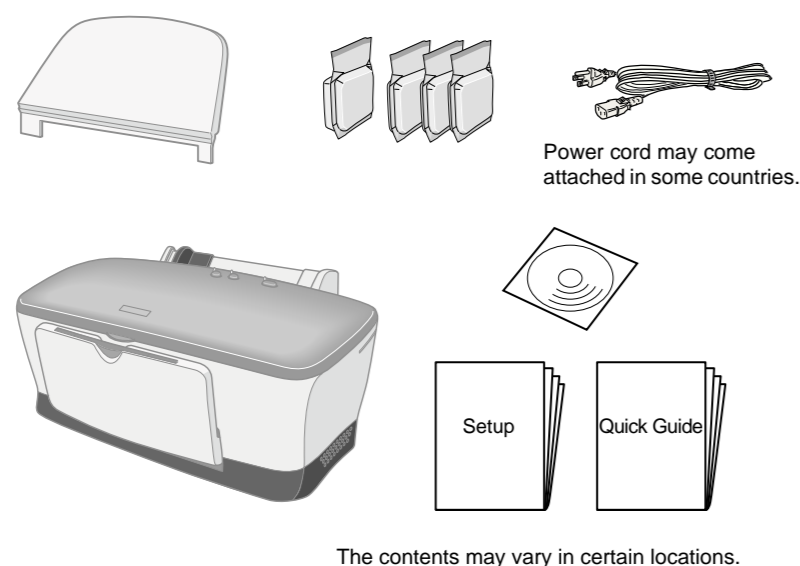
Warnings, Cautions, and Notes

Warnings must be followed carefully to avoid bodily injury.

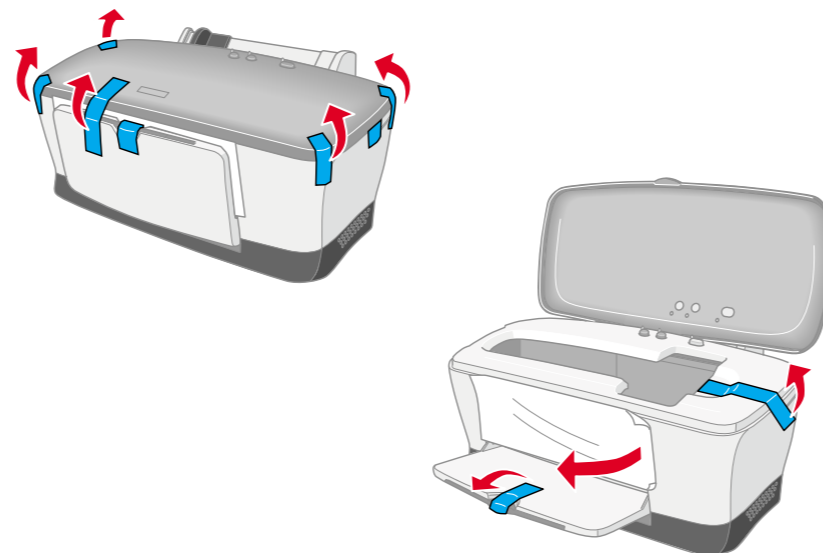
Cautions must be observed to avoid damage to your equipment.

Notes contain important information and useful tips on the operation of your printer.

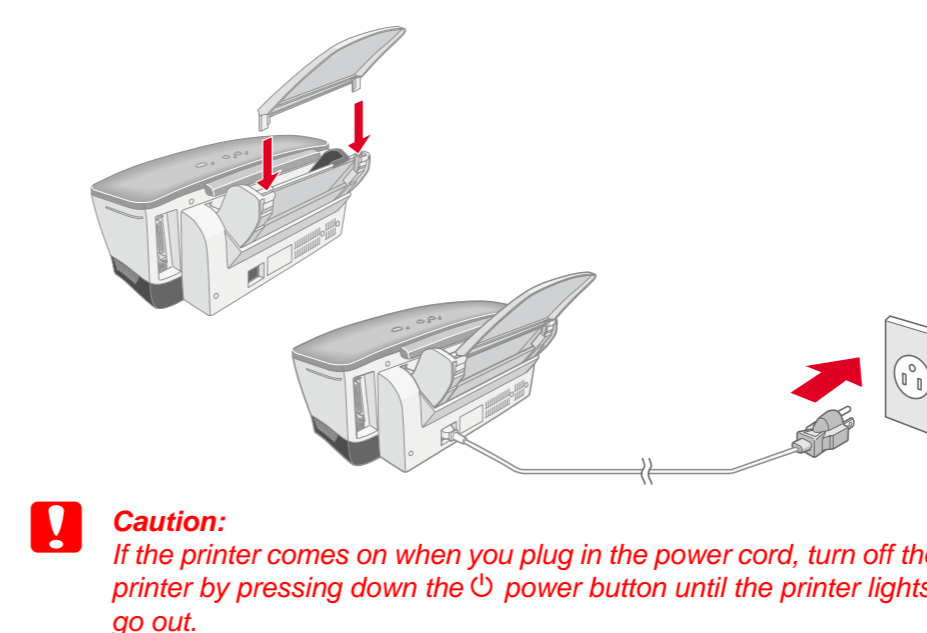
1. Unpack



2. Remove protective materials

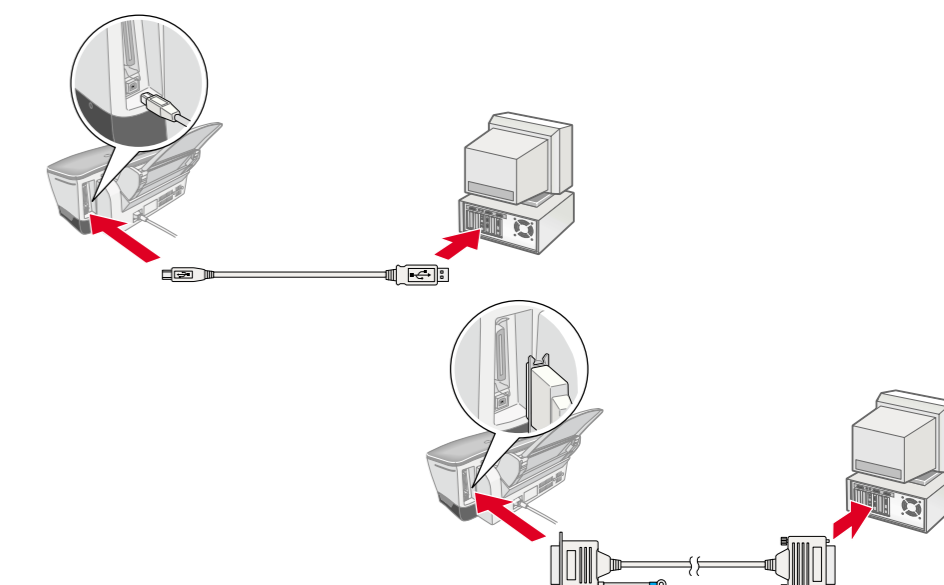


3. Attach the printer parts



4. Connect the printer

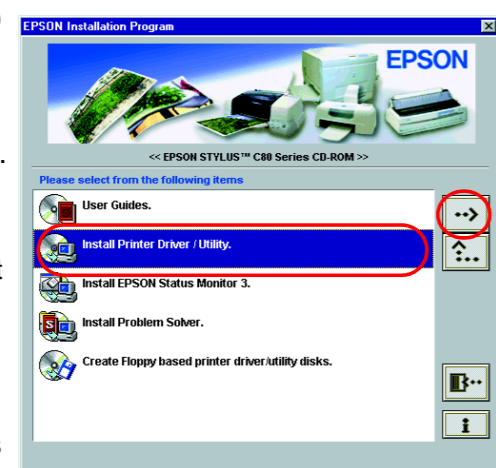
Connect the printer cable to the ports on the computer and the printer.



Installing the Printer Software and the Ink Cartridges

For Windows

- Make sure that printer is off, then turn on your computer.
- Insert the printer software CD in the CD-ROM drive. If the Installer dialog box does not appear, double-click **SETUP.EXE** in the CD-ROM.
- Select **Install Printer Driver/Utility**, and click **Next**.
- Click **OK** in the dialog box that appears.
- When a message appears prompting you to turn on the printer, press the \odot power button. The print head moves to the ink cartridge installation position and the Setup utility starts automatically.



Caution: Do not move the print head by hand, as this may damage the printer.

- Follow the Setup utility's on-screen instructions to install the ink cartridges.
- Note:** If the Setup utility does not start, follow the instructions of this sheet, beginning from "Install the ink cartridges."

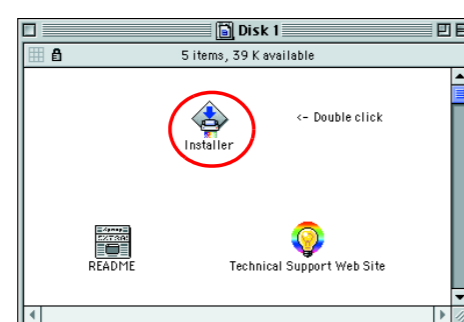
When ink cartridge installation is complete, proceed to "Load paper and check the print head nozzles" on this sheet.

For Macintosh

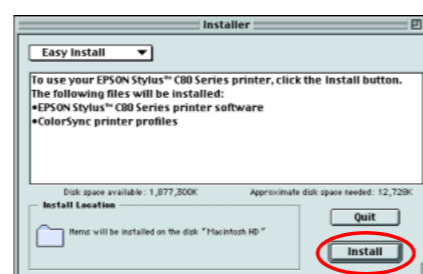
1. Install the printer software

Caution: Turn off all virus protection programs before you install the printer software.

- Make sure that printer is off, then turn on your Macintosh and insert the printer software CD in the CD-ROM drive.
- Double-click the **Install Software** folder, then double-click the **Installer** icon inside it.
- Click **Continue**.
- After accepting the license agreement, Installer appears.



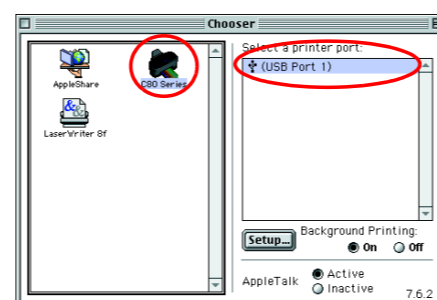
- Make sure that the Install Location box displays the correct drive, then click **Install**.
- Follow the on-screen instructions to install the printer software.



2. Select the printer

After you have installed the printer software, you need to select your printer.

- Press the \odot power button to turn on the printer. The print head moves to the ink cartridge installation position.
- Choose **Chooser** from the Apple menu. Then, select the icon for your printer and the port that your printer is connected to.
- Close the Chooser.



For DOS Programs

Most DOS software programs include a list of drivers including one for EPSON ESC/P 2™ Printers. In order to install the appropriate printer driver and enable your printer's advanced, built-in, scalable fonts and graphics handling, you must select the EPSON ESC/P 2™ printer from the list.

If your printer is not included in the list, contact your software manufacturer to obtain an updated version of the software.

If the manufacturer does not have an updated printer driver for your printer, select an alternative printer from those listed below, choosing the printers listed at the top first.

When printing in black only:
LQ-870/1170
LQ-570 (+)/1070(+)
SQ-870/1070
LQ-850
LQ-500

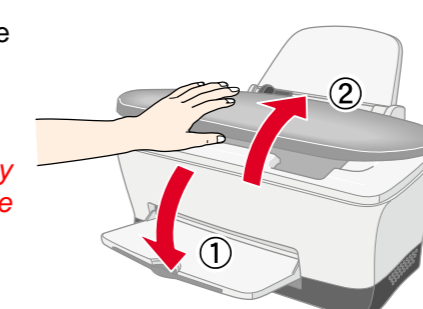
Note: The drivers for the printers listed above do not allow access to all of the features offered by the EPSON STYLUS C80, such as 720-dpi printing and 1440-dpi printing.

DOS software varies greatly. See the printing section of your software manual for information on accessing the printer driver settings.

Install the ink cartridges

- Lower the output tray, then open the printer cover.

Caution: Do not move the print head by hand, as this may damage the printer.



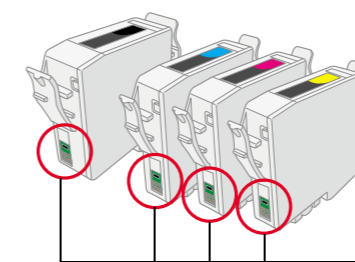
Note: For best results, shake the ink cartridge four or five times before opening the package.



- Remove the new ink cartridges from their protective bag.

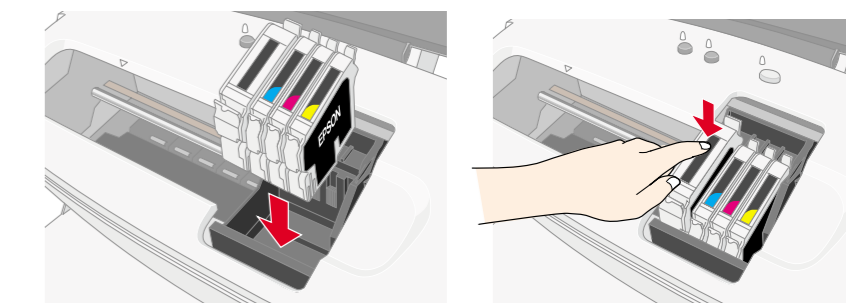
Caution:

- Do not remove or tear the label on the cartridge; this can cause leakage.
- Do not remove the green IC chip from the side of the cartridge.
- Do not touch the green IC chip on the side of the cartridge. Doing so may prevent normal operation and printing.



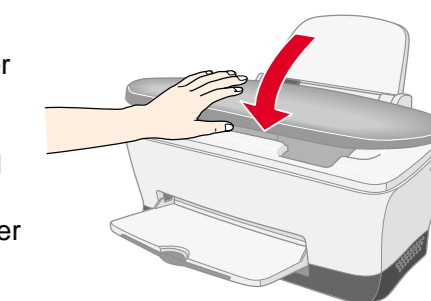
Do not touch this part.

- Place the ink cartridges vertically into the cartridge holders. Without applying excessive force, push the ink cartridges down until they click into place.



Note: Install all ink cartridges. The printer will not work unless all cartridges are installed properly.

- Close the printer cover.
- Press the \odot ink button. The printer moves the print head and begins charging the ink delivery system. This process takes about one and half minutes. While charging, the \odot power light flashes and the printer produces a variety of mechanical sounds. This is normal.



Caution:

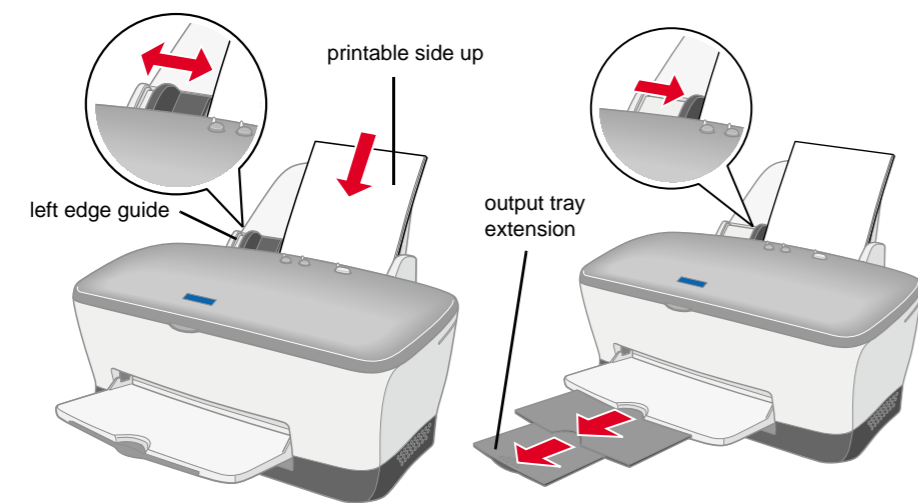
- Do not turn the power off during the ink charging process.
- Do not load paper until ink charging is complete.

Note: If the ink end error occurs after the print head moves to its home position, the ink cartridge may not be installed properly. Press the \odot ink button again, and reinstall the ink cartridge until it clicks into place.

When the ink charging process is finished, the \odot power light stops flashing and remains on. When ink cartridge installation is complete, proceed to "Load paper and check the print head nozzles" on this sheet.

Load paper and check the print head nozzles

Make sure that the computer is turned on. Load paper into the sheet feeder making sure that the side of the paper that you wish to print onto is facing up and that the right edge of the paper is against the right edge guide. Next, slide the left edge guide so that it is against the left edge of the paper.

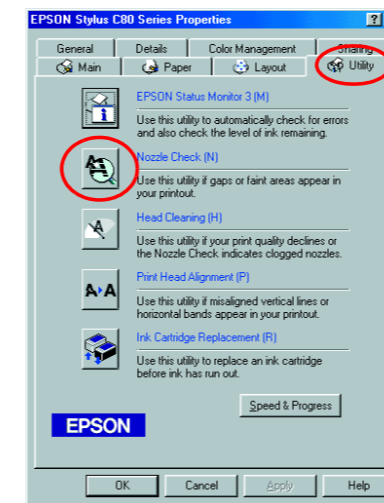


Once paper is loaded, follow these steps to check the print head nozzles.

For Windows users

1. Click the **Start** button, point to **Settings**, and click **Printers**.
2. Select the icon for your printer, then click **Properties** on the File menu. Then click the **Utility** tab.
3. Click the **Nozzle Check** button, and follow the on-screen instructions.
4. When you are finished, click **OK** to close the Properties dialog box.

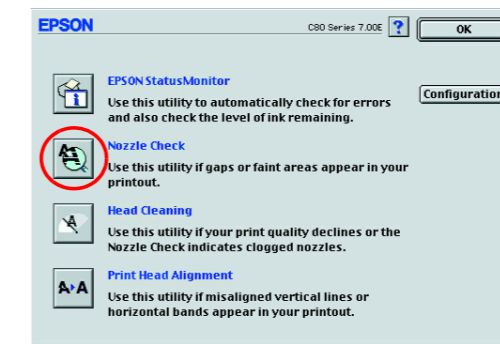
Your printer is now set up and ready to use.



For Macintosh users

1. Select **Page Setup** in the Finder's **File** menu.
2. Click the utility icon.
3. Click the **Nozzle Check** button, and follow the on-screen instructions.
4. When you are finished, click **OK** to close the utility dialog box. Then click **OK** to close the Page Setup dialog box.

Your printer is now set up and ready to use.



Safety Instructions

Read all of the instructions in this section when setting up and using your printer.

When choosing a place for the printer

- Avoid places subject to rapid changes in temperature and humidity. Also, keep the printer away from direct sunlight, strong light, or heat sources.
- Avoid places subject to dust, shocks, and vibrations.
- Leave enough room around the printer to allow for sufficient ventilation.
- Place the printer near a wall outlet where the plug can be easily unplugged.
- Place the printer on a flat, stable surface that extends beyond the printer base in all directions. The printer will not operate properly if it is tilted at an angle.

When choosing a power source

- Use only the type of power source indicated on the printer's label.
- Do not use a damaged or frayed power cord.
- If you use an extension cord with the printer, make sure that the total ampere rating of the devices plugged into the extension cord does not exceed the cord's ampere rating. Also, make sure that the total ampere rating of all devices plugged into the wall outlet does not exceed the wall outlet's ampere rating.
- If you plan to use the printer in Germany, the building installation must be protected by a 10 or 16 amp circuit breaker to provide adequate short-circuit protection and over-current protection for this printer.

When handling ink cartridges

- Do not open the ink cartridge packages until just before you install them.
- Before installing the new ink cartridge, shake it four or five times before opening its package.
- Do not shake the used ink cartridges; this can cause leakage.
- Keep ink cartridges out of the reach of children. Do not allow children to drink from or otherwise handle the cartridges.
- Be careful when you handle used ink cartridges, as there may be some ink remaining around the ink supply port. If ink gets on your skin, wash the area thoroughly with soap and water. If ink gets into your eyes, flush them immediately with water. If discomfort or vision problems remain after a thorough flushing, see a doctor immediately.
- Do not touch or remove the green IC chip that is located on the side of the cartridge.
- Do not remove or tear the label on the cartridge; this can cause leakage.
- Store each ink cartridge so that the bottom of its packaging faces down.

When using the printer

- Do not put your hand inside the printer or touch the ink cartridges during printing.
- Do not block or cover the openings in the printer's cabinet.
- Do not attempt to service the printer yourself.
- Unplug the printer and refer servicing to qualified service personnel under the following conditions:
 - The power cord or plug is damaged; liquid has entered the printer; the printer has been dropped or the cabinet damaged; the printer does not operate normally or exhibits a distinct change in performance.
- Do not insert objects through the slots in the printer's cabinet.
- Take care not to spill liquid on the printer.

All rights reserved. No part of this publication may be reproduced, stored in a retrieval system, or transmitted in any form or by any means, electronic, mechanical, photocopying, recording, or otherwise, without the prior written permission of SEIKO EPSON CORPORATION. The information contained herein is designed only for use with this EPSON printer. EPSON is not responsible for any use of this information as applied to other printers. Neither SEIKO EPSON CORPORATION nor its affiliates shall be liable to the purchaser of this product or third parties for damages, losses, costs, or expenses incurred by the purchaser or third parties as a result of: accident, misuse, or abuse of this product or unauthorized modifications, repairs, or alterations to this product, or (excluding the U.S.) failure to strictly comply with SEIKO EPSON CORPORATION's operating and maintenance instructions.

SEIKO EPSON CORPORATION shall not be liable for any damages or problems arising from the use of any options or any consumable products other than those designated as Original EPSON Products or EPSON Approved Products by SEIKO EPSON CORPORATION. SEIKO EPSON CORPORATION shall not be held liable for any damage resulting from electromagnetic interference that occurs from the use of any interface cables other than those designated as EPSON Approved Products by SEIKO EPSON CORPORATION. EPSON is a registered trademark and EPSON Stylus is a trademark of SEIKO EPSON CORPORATION. Microsoft and Windows are registered trademarks of Microsoft Corporation.

General Notice: Other product names used herein are for identification purposes only and may be trademarks of their respective owners. EPSON disclaims any and all rights in those marks.