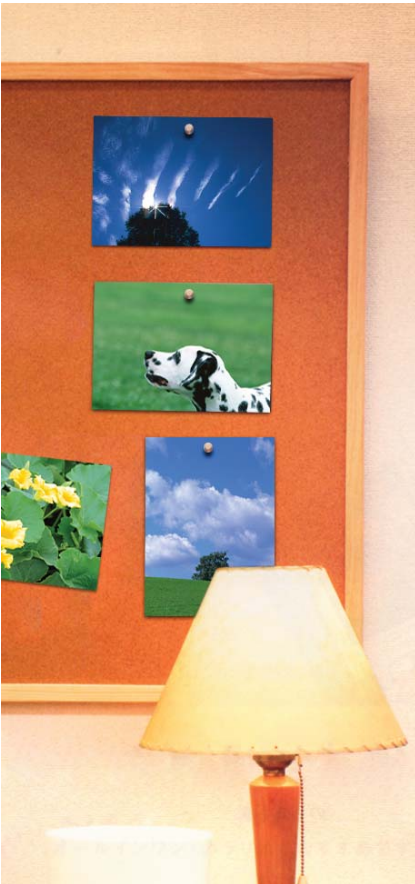


**EPSON**



PictureMate

**Direct Print Guide**

# Where to Find Information

## Setup

This guide will help you set up and begin using your printer. It includes information on setting up your printer and easy steps to print your first photo.

## Direct Print Guide

This guide provides information for direct printing, troubleshooting tips and customer support information.

## Software Installation Guide

This guide is for the users printing with a computer, provides information on how to connect to the printer to your PC, install the EPSON printer software, and view online *Reference Guide*.

## Photo Print Software Setup

This guide contained on the CD-ROM provides information on installing EPSON PhotoQuicker, EPSON PhotoStarter, EPSON CardMonitor, EPSON PRINT Image Framer Tool, PIF DESIGNER. It also contains uninstalling and system requirements.

## Reference Guide

The Reference Guide contained on the CD-ROM provides detailed information about printing with a computer, maintenance, and problem solving.

## Warnings, Cautions, and Notes



### *Warnings*

*must be followed carefully to avoid bodily injury.*



### *Cautions*

*must be observed to avoid damage to your equipment.*

### *Notes*

*contain important information and useful tips on the operation of your printer.*

# EPSON®

Color Inkjet Printer

## PictureMate

All rights reserved. No part of this publication may be reproduced, stored in a retrieval system, or transmitted in any form or by any means, electronic, mechanical, photocopying, recording, or otherwise, without the prior written permission of Seiko Epson Corporation. The information contained herein is designed only for use with this Epson printer. Epson is not responsible for any use of this information as applied to other printers.

Neither Seiko Epson Corporation nor its affiliates shall be liable to the purchaser of this product or third parties for damages, losses, costs, or expenses incurred by the purchaser or third parties as a result of accident, misuse, or abuse of this product or unauthorized modifications, repairs, or alterations to this product, or (excluding the U.S.) failure to strictly comply with Seiko Epson Corporation's operating and maintenance instructions.

Seiko Epson Corporation shall not be liable for any damages or problems arising from the use of any options or any consumable products other than those designated as Original Epson Products or Epson Approved Products by Seiko Epson Corporation.

Seiko Epson Corporation shall not be held liable for any damage resulting from electromagnetic interference that occurs from the use of any interface cables other than those designated as Epson Approved Products by Seiko Epson Corporation.

EPSON® is a registered trademark and PictureMate™ is a trademark of Seiko Epson Corporation.

Copyright 2001 Seiko Epson Corporation. All rights reserved. PRINT Image Matching™ is a trademark of Seiko Epson Corporation. The PRINT Image Matching logo is a trademark of Seiko Epson Corporation.

Copyright 2002 Seiko Epson Corporation. All rights reserved.

USB DIRECT-PRINT™ is a trademark of Seiko Epson Corporation. The USB DIRECT-PRINT logo is a trademark of Seiko Epson Corporation.

Microsoft® and Windows® are registered trademarks of Microsoft Corporation.

Apple® and Macintosh® are registered trademarks of Apple Computer, Inc.

Part of the photo data stored on the Printer Software CD-ROM is licensed from Design Exchange Co., Ltd. Copyright © 2000 Design Exchange Co., Ltd. All rights reserved.

DPOF™ is a trademark of CANON INC., Eastman Kodak Company, Fuji Photo Film Co., Ltd. and Matsushita Electric Industrial Co., Ltd.

The *Bluetooth* word mark and logos are owned by the Bluetooth SIG, Inc. and any use of such marks by Seiko Epson Corporation is under license.

Zip® is a registered trademark of Iomega Corporation.

SD™ is a trademark.

Memory Stick, MEMORY STICK, Memory Stick PRO and MEMORY STICK PRO are trademarks of Sony Corporation.

xD-Picture Card™ is a trademarks of Fuji Photo Film Co.,Ltd.

*General Notice: Other product names used herein are for identification purposes only and may be trademarks of their respective owners. Epson disclaims any and all rights in those marks.*

Copyright © 2004 by Seiko Epson Corporation, Nagano, Japan.

---

# Contents

<b>Safety Instructions</b> .....	<b>5</b>
Important Safety Instructions .....	5
<b>Printer Parts and Control Panel Functions</b> .....	<b>13</b>
Printer Parts .....	13
Control Panel .....	14
<b>Direct Printing Basics</b> .....	<b>16</b>
Introduction .....	16
Paper Handling Instructions .....	16
Loading Paper .....	17
Loading Memory Cards .....	19
Summary of Panel Setting .....	22
Basic Printing .....	24
Ejecting Memory Cards .....	29
<b>Various Setting</b> .....	<b>30</b>
More Options Settings .....	30
Exif Print and PRINT Image Matching .....	35
Printing with DPOF files .....	37
Printing with a Frame .....	38
Print Directly from a Digital Camera .....	40
Backup .....	43
Printing with an External Device .....	44
<b>Replacing Photo Cartridge</b> .....	<b>47</b>
Checking the Ink Supply .....	47
Replacing the Photo Cartridge .....	48
<b>Improving Print Quality</b> .....	<b>53</b>
Checking the Print Head Nozzles .....	53

Cleaning the Print Head .....55

Aligning the Print Head .....56

Cleaning the Printer .....58

Transporting the Printer .....59

***Troubleshooting* .....60**

Error/Warning Display .....60

Print Quality Problems .....64

Printout Problems Not Related to Print Quality .....66

Paper Does Not Feed Correctly .....67

Printer Does Not Print .....69

Printing Problem when Using Bluetooth Photo Print Adapter ...70

Canceling Printing .....70

***Contacting Customer Support* .....71**

Technical Support Web Site .....71

Regional Customer Services .....71

***Option and Consumable Products* .....74**

Option and Consumable Products .....74

Using the Bluetooth Photo Printer Adapter .....76

***Printer Specifications* .....84**

Printer Specifications .....84



---

# Safety Instructions

---

## Important Safety Instructions

Read all of the instructions in this section before using your printer. Also, be sure to follow all warnings and instructions marked on the printer.

### *When choosing a place for the printer*

Observe the following when choosing a place for the printer:

- ❑ Place the printer on a flat, stable surface that extends beyond the base of the printer in all directions. If you place the printer by the wall, leave more than 10 cm between the back of the printer and the wall. The printer will not operate properly if it is tilted at an angle.
- ❑ When storing or transporting the printer, do not tilt it, stand it on its side, or turn it upside down. Otherwise, ink may leak from the cartridge.
- ❑ Leave enough space in front of the printer for the paper to be fully ejected.
- ❑ Avoid places subject to rapid changes in temperature and humidity. Also, keep the printer and the AC adapter away from direct sunlight, strong light, water, or heat sources.
- ❑ Avoid places subject to dust, shock, or vibration.
- ❑ Leave enough room around the printer to allow for sufficient ventilation.

- ❑ Place the printer near a wall outlet where the plug can be easily unplugged.
- ❑ Do not place or store the printer or the AC adapter outdoors.

## *When setting up your printer*

Observe the following when setting up the printer:

- ❑ Do not block or cover the vents and openings in the printer.
- ❑ Power supply cords should be placed to avoid abrasions, cuts, fraying, crimping, and kinking. Do not place objects on top of power-supply cords and do not allow the AC adapter or power-supply cords to be stepped on or run over. Be particularly careful to keep all power-supply cords straight at the ends and the points where they enter and leave the AC adapter.
- ❑ Use only the AC adapter model A251B/E that comes with this product. Use of another cord may result in fire or electrical shock, or injury.
- ❑ The AC adapter is designed for use with the printer with which it was included. Do not attempt to use it with other electronic devices unless specified.
- ❑ Use only the type of power source indicated on the AC adapter's label, and always supply power directly from a standard domestic electrical outlet with the AC power cord that meets the relevant local safety standards.
- ❑ Avoid using outlets on the same circuit as photocopiers or air control systems that regularly switch on and off.
- ❑ Avoid using electrical outlets controlled by wall switches or automatic timers.



- ❑ Keep the entire computer system away from potential sources of electromagnetic interference, such as loudspeakers or the base units of cordless telephones.
- ❑ Do not use a damaged or frayed power cord and AC adapter.
- ❑ If you use an extension cord with the printer, make sure that the total ampere rating of the devices plugged into the extension cord does not exceed the cord's ampere rating. Also, make sure that the total ampere rating of all devices plugged into the wall outlet does not exceed the wall outlet's ampere rating.
- ❑ Never disassemble, modify, or attempt to repair the AC adapter, power cord, printer, and option by yourself except as specifically explained in the printer's guides.
- ❑ Unplug the printer and the AC adapter, and refer servicing to qualified service personnel under the following conditions:

The power cord or plug is damaged; liquid has entered the printer or the AC adapter; the printer or the AC adapter has been dropped or the casing damaged; the printer or the AC adapter does not operate normally or exhibits a distinct change in performance. (Do not adjust controls that are not covered by the operating instructions.)

- ❑ Do not use with wet hands.
- ❑ If you plan to use the printer in Germany, the building installation must be protected by a 10 or 16 amp circuit breaker to provide adequate short-circuit protection and over-current protection for this printer.

### ***For United Kingdom, Singapore, and Hong Kong users***

- ❑ Replace fuses only with fuses of the correct size and rating.

## **Safety requirements**

Mains plug:

Use a 3-pin mains plug that is registered with the Safety Authority.

Flexible cord:

Use a double insulated flexible cord that is certified\* to the relevant IEC standards.

Appliance connector:

Use an appliance connector certified\* to IEC 320.

\* certified by member of IECEE CB Scheme.

## ***For United Kingdom users***

The following safety information applies to the AC adapter.


- Warning:** Refer to the rating plate for the voltage and check that the appliance voltage corresponds to the supply voltage.
- Important:** The wires in the mains lead fitted to this appliance are coloured in accordance with following code: Blue - Neutral, Brown - Live

### **If you have to fit a plug:**

- As the colours of the mains lead of the appliance may not match the coloured markings used to identify the terminals in a plug, please observe the following:
- The blue wire must be connected to the terminal in the plug marked with the letter N.
- The brown wire must be connected to the terminal in the plug marked with the letter L.
- If damage occurs to the plug, replace the cord set or consult a qualified electrician.

## *When using the printer*

Observe the following when using the printer:

- ❑ Do not insert objects through the slots in the printer.
- ❑ Take care not to spill liquid on the printer and the AC adapter.
- ❑ Do not put your hand inside the printer or touch the photo cartridge during printing.
- ❑ Do not move the print head by hand; otherwise, you may damage the printer.
- ❑ Always turn the printer off using the  On button. Do not unplug the printer or turn off the power to the outlet until the power light goes out.
- ❑ Before transporting the printer, make sure that the photo cartridge is in place.
- ❑ Leave the photo cartridge installed. Removing the cartridge can dehydrate the print head and may prevent the printer from printing.

## *When using a memory card*

- ❑ Use only memory cards compatible with the printer. Refer to Loading Memory Cards.

## *When using LCD*

- ❑ The LCD panel contains a few small bright or dark spots. These are normal and do not mean that the LCD monitor is damaged in any way.

- ❑ Only use a dry, soft cloth to clean the LCD panel. Do not use liquid or chemical cleansers.
- ❑ If the LCD panel on your printer's control panel is damaged, contact your dealer. If the liquid crystal solution gets on your hands, wash them thoroughly with soap and water. If the liquid crystal solution gets into your eyes, flush them immediately with water. If discomfort or vision problems remain after a thorough flushing, see a doctor immediately.

## *When using the optional Bluetooth Photo Print Adapter*

Refer to the Bluetooth Photo Print Adapter's documentation for the safety instructions.

## *When handling photo cartridges*

Observe the following when handling photo cartridges:

- ❑ Do not shake photo cartridge after removing it from the bag; this can cause leakage.
- ❑ Do not remove or tear the label on the cartridge; this can cause leakage.
- ❑ Do not use a photo cartridge beyond the date printed on the cartridge carton: otherwise, it may result in reduced print quality. For best results, use up the photo cartridge within six months of installing it.
- ❑ Do not dismantle photo cartridges or try to refill them. This could damage the print head.

- ❑ After bringing a photo cartridge inside from a cold storage site, allow it to warm up at room temperature for at least three hours before using it.
- ❑ Store photo cartridges in a cool, dark place.
- ❑ The IC chip on the photo cartridge retains a variety of cartridge-related information, such as the amount of ink remaining, so that the cartridge may be removed and reinstalled freely. However, each time the cartridge is inserted, some ink is consumed because the printer automatically performs a reliability check.
- ❑ Store each photo cartridge so that the bottom of its packaging faces down.

## **ENERGY STAR® Compliance**



As an ENERGY STAR® Partner, Epson has determined that this product meets the ENERGY STAR® guidelines for energy efficiency.

The International ENERGY STAR® Office Equipment Program is a voluntary partnership with the computer and office equipment industry to promote the introduction of energy-efficient personal computers, monitors, printers, fax machines, copiers, scanners, and multifunction devices in an effort to reduce air pollution caused by power generation. Their standards and logos are uniform among participating nations.

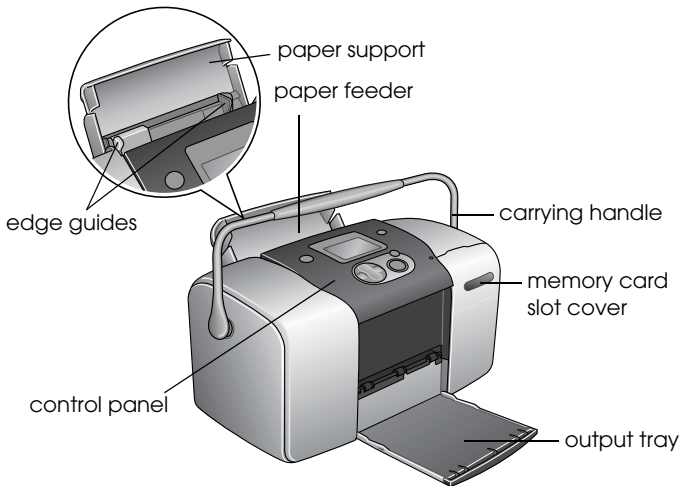


---

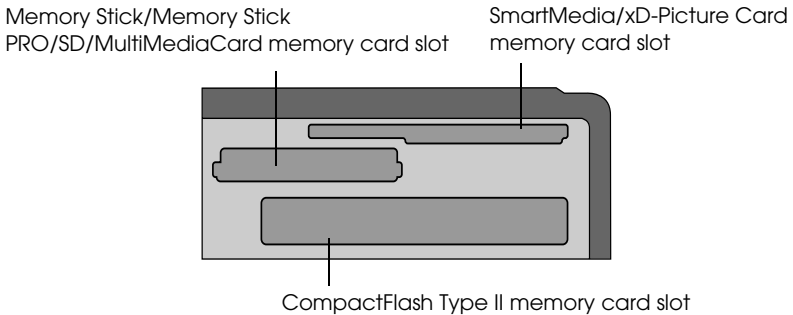
# Printer Parts and Control Panel Functions

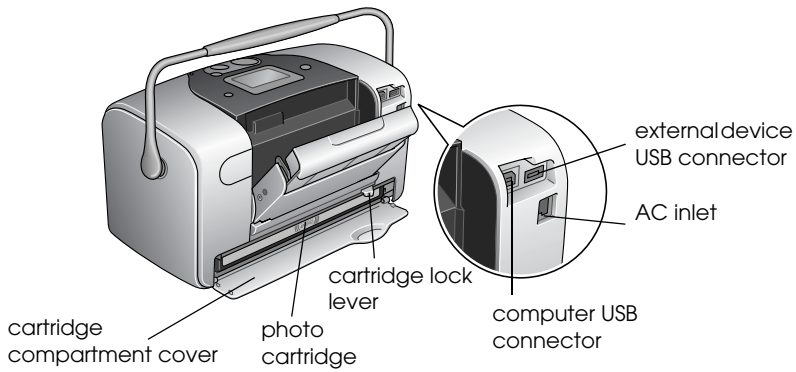
---

## Printer Parts

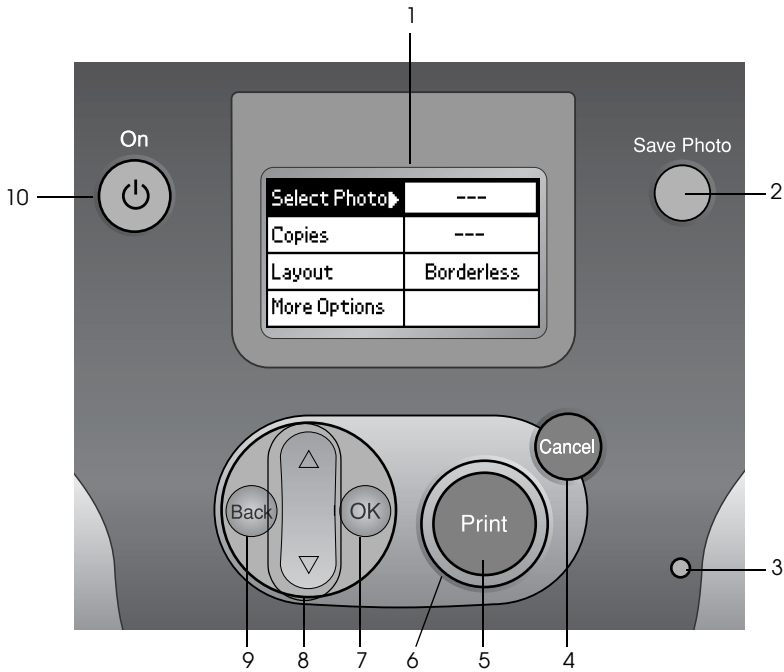


### Memory card slot (enlarged figure)





## Control Panel





## Buttons and lights

1. **LCD panel:** Displays the printer status messages, and the items and settings which can be changed with the buttons on the control panel.
2. **Save Photo button:** Store the contents of memory card in an external storage device.
3. **Memory card light:** On when a memory card is inserted into the memory card slot. Flashes when the printer is accessing the memory card.
4. **Cancel button:** Cancels print operations, or the settings on the LCD panel. Resets all printer settings when you press and hold this button for three seconds or more.
5. **Print button:** Starts printing with the settings on the LCD panel selected via the buttons on the control panel.
6. **Power light:** On when the printer is turned on and ready. Flashes during printing.
7. **OK button:** Opens the setting menu and selects the item to be set on the LCD panel.
8. **Up ▲ /Down ▼ arrow buttons:** Move the cursor on the LCD panel. Increase and decrease numbers being entered.
9. **Back button:** Returns to the main menu on the LCD panel.
10. **On button:** Turns the printer on and off. To turn off the printer power, press and hold the Power button for two seconds.

### *Note:*

*With the exception of the Cancel button and the On button, the control panel buttons are used only with direct printing from a memory card.*

---

# Direct Printing Basics

---

## Introduction

This section provides information on how to print directly from a memory card using settings on the LCD panel and without the use of a computer.

The instructions below provide an example of how to make settings to print a selected photo directly from a memory card. Before you start, you will need paper and a memory card containing suitable digital photo data.

### *Note:*

- Before printing large jobs, print a single sheet to confirm quality.*
- Disconnecting the USB cable is recommended when printing directly from a memory card.*

---

## Paper Handling Instructions

### When storing printouts

- Do not touch the printed side or stack your printouts until the ink is dry.
- To avoid scratching the image, be sure not to rub the printed side of the paper. If the printed side is rubbed too strongly, ink may come off the paper.
- Do not stack printouts with the image sides touching.

- ❑ Do not stack printouts and conventional film photographs with the image sides touching.
- ❑ If you stack printouts, place a sheet of plain paper or other absorbent paper between the individual prints.

## *When storing unused paper*

Return any unused paper to the original package, and store it away from extreme temperatures, high humidity, and bright lights.

## *When displaying printouts*

- ❑ When displaying your printouts indoors, EPSON recommends placing your printouts in glass frames to preserve the colors in your image.
- ❑ Avoid displaying your printouts outdoors or in a place exposed to direct sunlight to prevent fading.

*Note:*  
*For best results, allow your prints to dry thoroughly for 24 hours before framing.*

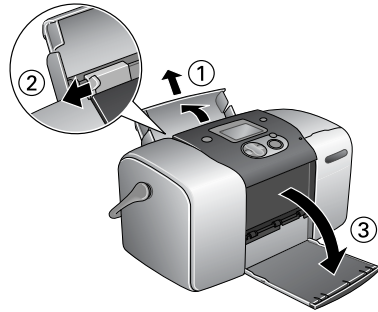
---

## *Loading Paper*

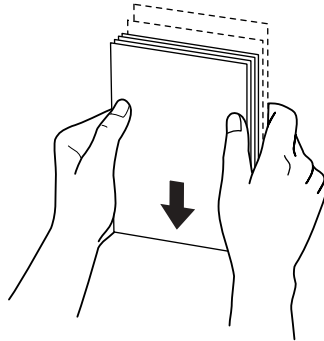
Follow the steps below to load paper into the printer.

1. Make sure the printer is turned on and the green light around Print button is on.

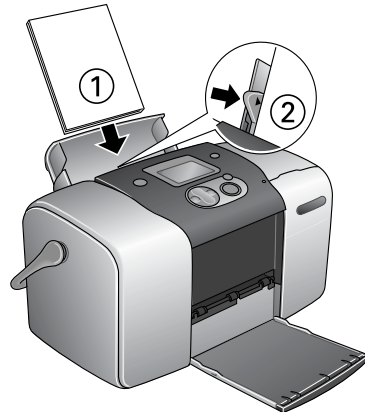
2. Open the paper feeder, slide out the paper support and slide the left edge guide to the left. Then lower the output tray.



3. Fan a stack of paper, then tap paper on a flat surface to even the edges.



4. Load the paper with the printable side up so it is against the right edge guide, and slide it into the paper feeder. Then slide the left edge guide against the left edge of the paper. Make sure that the paper stack is loaded under the tabs inside the edge guides. You can load paper up to 20 sheets.



**Note:**

*Make sure that the paper stack is flush with or lower than the triangular load-limit mark on the edge guide.*

---

## Loading Memory Cards

### Loadable storage media

Digital photographs are stored either in the digital camera's built-in memory or in loadable storage media called memory cards. Memory cards can be inserted into and removed from the camera. The types of storage media that can be used with this printer are shown below.

Loadable storage media:

- CompactFlash
- Memory Stick (Up to 128 MB)
- Memory Stick Duo (must be used with a Memory Stick Adapter)
- MultiMediaCard (Up to 128 MB)
- SmartMedia
- xD-Picture Card
- MagicGate Memory Stick
- Memory Stick PRO
- Microdrive
- SD Card
- miniSD card (must be used with an SD adaptor)



**Caution:**

*The methods for using memory cards vary according to card type. Be sure to refer to the documentation packaged with your memory card for details.*

**Note:**

*For the latest information on memory cards available for your printer, contact your dealer or regional Epson sales office.*

## Memory card data format

You can use image files that meet the following requirements.

Digital camera	DCF version 1.0 compliant <sup>*1</sup>
File format	JPEG format image files <sup>*2</sup> taken with a DCF version 1.0 compliant digital camera
Image size	Vertical 120 to 4600 pixels, horizontal 120 to 4600 pixels
Number of files	Up to 999

<sup>\*1</sup>: DCF stands for the "Design rule for Camera File system" standard, set by the Japan Electronics and Information Technology Industries Association (JEITA).

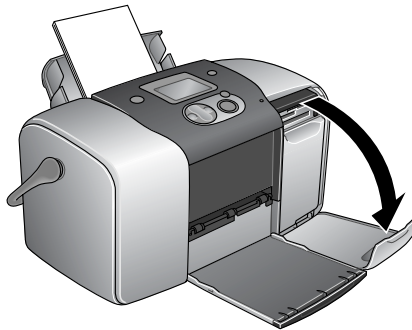
<sup>\*2</sup>: Supports Exif Version 2.1/2.2.

### **Note:**

*File names containing double-byte characters are not valid when printing directly from a memory card.*

## Inserting memory cards

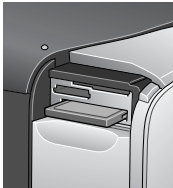
1. Turn the printer on, and open the memory card slot cover.



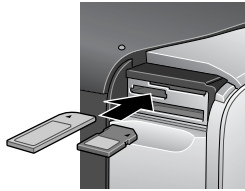
2. Insert a memory card as shown in the illustration.

When the memory card is inserted correctly, the memory card light comes on.

CompactFlash/  
Microdrive



Memory Stick/  
Memory Stick Duo/  
SD Card/  
MultiMediaCard/  
miniSD card



SmartMedia/  
xD-Picture Card



When you insert a memory card, the Print Wizard appears on the panel. The wizard guides you through the steps for printing. If you do not want to use the wizard, turn the Print Wizard Off on the More Options menu.



**Caution:**

- ❑ *Loading a memory card in ways other than those shown here may damage the printer, memory card, or both.*
- ❑ *Use only one type of memory card at a time. Eject the loaded memory card before inserting another kind of memory card.*
- ❑ *Close the memory card slot cover when the memory card is in operation to protect the memory card from static electricity. If you touch the memory card when it is inserted in the printer, it may cause the printer to malfunction.*
- ❑ *Before loading the Memory Stick Duo, and miniSD Card attach the adapter provided with it.*

---

## Summary of Panel Setting

1	Select Photo	All
2	Copies	1 each
3	Layout	Borderless
4	More Options	

### 1. Select Photo

On this menu, you can select how to print data stored on a memory card.

All	Print all photographs on the memory cards.
One Photo	Print a single, selected photograph from the memory card.
Several	Print selected photographs from the memory card.
Range	Print a range of photographs on the memory card.
DPOF	This option is automatically displayed when a memory card contains data whose printing instruction is set with a DPOF-compatible digital camera. Even if DPOF is selected, DPOF does not work when a memory card does not contain data set by DPOF.







## 2. Copies

Select the number of copies you want to print.

## 3. Layout

On this menu, the print layout can be specified.

	Borderless	Prints without margins. Portrait layout.
	Border	Prints with 3-mm margins on all sides. Portrait layout.
	20	Prints 20 images (landscape) on one page.
	Double	Prints two images (portrait) on one page.

When Borderless printing, note the following:

- Because this setting enlarges the image to a size slightly larger than the paper size, the portion of the image that extends beyond the edges of the paper will not be printed.
- Print quality may decline in the top and bottom areas of the printout, or the area may be smeared when printing.
- Before printing large jobs, print a single sheet to confirm quality.

## 4. More Options

Color Effects	Print Confirmation
Print Zoom Template	Maintenance
Zoom	Memory Card Overwrite
Auto Correction	Select Language
Small Image Enhancer	BT Device Name
Date Stamp	BT Communication Mode
Time Stamp	BT Encryption
P.I.F. Index	BT Passkey
Print Wizard	BT Device Address

When you have finished selecting photos, press the Back button. Then press the ▼ button to select Copies, and press the OK button to confirm your selections.

---

## Basic Printing

This section explains how to make print settings without using the Print Wizard.

### Printing an index

You can print one or more copies of an index of all or the specified photographs on a loaded memory card. An index can be helpful in selecting which photos you want to print.

1. Make sure Select Photo is highlighted, then press the OK button to open the menu.

2. Press the ▲ button to select All to print all photographs, then press the OK button.



**Note:**

*You can print an index of selected photographs by selecting Several for Select Photo setting and choose the photo numbers.*

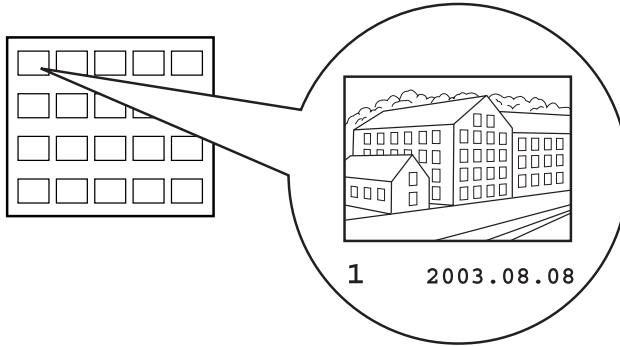
3. Make sure that 1 each is indicated as the Copies setting.

Select Photo	All
Copies	1 each
Layout	Borderless
More Options	

4. Press the ▲ or ▼ button to select Layout, then press the OK button.
5. Press the ▲ or ▼ button to select 20, then press OK button.
6. Press the Print button to print the index.

## Single photo print

The example here is to print a single photo with Borderless and normal print quality.



Index

photo number

1. From the index, find the number of the photo that you want to print. The number is printed under the photo.
2. Press the ▲ or ▼ button to select Select Photo, then press the OK button.
3. Press the ▲ or ▼ to select One Photo, then press the OK button.
4. Press the ▲ or ▼ button to specify the photo number that you have selected from the Index, then press the OK button.



5. Select Copies, press the OK button to open the Copies counter, select the number you want to print, then press the OK button.



6. Make sure that Borderless is indicated as the Layout setting.
7. Press the Print button and follow the message displayed on the panel.

## *Print all photographs on the memory card*

1. Select All as the Select Photo.



2. Select Copies, press the OK button to open the Copies counter, select the number of copies you want to print, then press the OK button.
3. Make any Layout and More Options settings as needed.
4. Press the Print button and follow the message displayed on the panel.

## Print multiple selected photographs

1. Select Several as the Select Photo.

2. Press the ▲ or ▼ button to select the photo number you want to print, then press the OK button.



3. Press the ▲ or ▼ button to select the number of copies you want to print, then press OK button.



4. Repeat steps 2 through 3 to register other photos.

### Note:

To reset the number of copies, select the photo and press the OK button. The number of copies resets to 0 and the check box is cleared.

5. When you have finished selecting photos, press the Back button. Then press the ▼ button to select Copies, and press the OK button to confirm your selections.



6. Make any Layout and More Options settings as needed.
7. When the numbers of all the photos you want to print have been registered, press the Print button to print the selected photographs.

## Print a range of photographs

1. Select Range as the Select Photo.
2. Press the ▲ or ▼ button to select the number of the first photo you want to print From:, then press the OK button. Next, select the number of the last photo you want to print To:, then press the OK button.
3. Select Copies, press the OK to open the Copies counter, select the number you want to print, then press the OK button.
4. Make any Layout and More Options settings as needed.
5. Press the Print button and follow the message displayed on the panel.



---

## Ejecting Memory Cards

Make sure that the memory card light is not flashing. Open the memory card slot cover then pull the card out to eject the memory card.



### Caution:

- ❑ *The handling method varies depending on the storage media. Be sure to refer to the documentation packaged with your memory card for details.*
- ❑ *Do not remove memory cards or turn off power to the printer while printing or while the memory card light is flashing. Doing so can cause data to be lost.*

---

# Various Setting

---

## More Options Settings

### Color Effects

This setting can be used to adjust the color tones used for printouts, by applying a filter before the photos are printed. The default setting is Color.

Color	No filter is applied to the printouts.
Black&White	Photos are printed in grayscale, similar to a black and white photo.
Sepia	Photos are printed with a sepia tint, similar to the brown tint seen in old photographs.

### Print Zoom Template

This option prints the list of zoom result as a template of the selected image to carry out printing. The printer prints in a specified number which is displayed in the template.

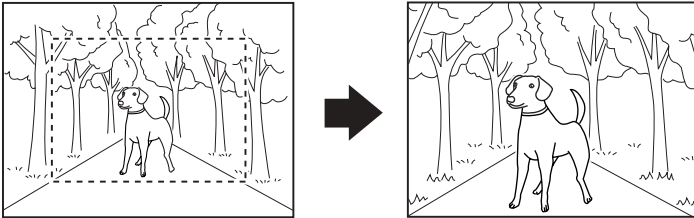
By specifying a number in that printed template list by the panel, the printer prints in the selected zoom. This function is not available when All or DPOF is selected for Select Photo setting.



## Zoom

This setting allows you to zoom in on a specific point in a photo and print out the image. The printed region of the image is trimmed to the size of the original photo.

The base point can be selected from nine options: Upper Left, Center Left, Lower Left, Upper Center, Center, Lower Center, Upper Right, Center Right, and Lower Right. You can select either 1.2 or 1.5 times magnification.



Example. Center 1.5x

### Note:

*When the photo is zoomed, the image may become blurry depending on the resolution of the original photo.*

## Auto Correction

This printer is able to correct the color of printouts automatically. There are two kinds of correction available. By default, the setting is Enhance.

For printing with PRINT Image Matching, see “Exif Print and PRINT Image Matching” on page 35.

Enhance	This option prints with PRINT Image Matching commands and/or Exif Print information, if your photos contain this type of data.
---------	--

Fix	Images imported from the memory card are automatically enhanced. Printing requires more time, but images are enhanced to ensure higher picture quality. If the photo data contains PRINT Image Matching commands or Exif Print information, these commands are ignored.
None	Disables the functions above.

## Small Image Enhancer

This option can remove digital noise, or interference, from photos and increase the resolution for small images, so that they can be printed at larger sizes.

### Note:

*Images may take longer to print when this option is enabled.*

## Date Stamp

This setting is to print the date information contained in your photo data. The default setting is None.

The following examples show the format options for setting the date.

None	Does not print the date.
yyyy.mm.dd	2003.12.31
mmm.dd.yyyy	Dec.31.2003
dd.mmm.yyyy	31.Dec.2003

## Time Stamp

This setting is to print the time information contained in your photo data. The default setting is None.

The following examples show the format options for setting the time.

None	Does not print the time.
12-hour	10:00
24-hour	22:00

## P.I.F. Index

Print an index of the PRINT Image Framer frames stored in the memory card.

## Print Wizard

The Print Wizard is a set of questions that first appear when you insert a memory card to the printer. This wizard guides you to the successful and easy settings and printing. The default setting is On. Selecting Off transits directly to the initial menu.

## Print Confirmation

This option sets whether or not a message confirming your settings will be displayed after you press the Print button. Set this option to Off if you do not want this confirmation message to be displayed.

## Maintenance

This setting is to maintenance your printer.

<b>Clean Print Head</b>	If you find your printouts faint or dots are missing, clean the print head to solve the problem. ➔ See "Cleaning the Print Head" on page 55
<b>Nozzle Check</b>	If you find the printouts faint or dots are missing, you can identify the problem by printing a nozzle check pattern. ➔ See "Checking the Print Head Nozzles" on page 53
<b>Align Print Head</b>	If you notice a misalignment of vertical lines or horizontal banding, solve the problem by selecting this option. ➔ See "Aligning the Print Head" on page 56
<b>LCD Contrast</b>	The contrast of the LCD panel can be adjusted by selecting this option.
<b>Cartridge Status</b>	Shows the ink remaining in the photo cartridge.

## Memory Card Overwrite

This option sets whether or not writing from a computer to a memory card is allowed when the printer is connected to the computer. By default, the setting is Enable.

Enable	Writing to the card from computer is allowed. Writing, deleting, formatting, and creation of files/directories are possible.
Disable	Writing to the card from computer is prohibited. Writing, deleting, formatting, and creation of files/directories are not possible.

## Select Language

The language displayed on the LCD panel can be selected with this option. This option is not available in some area.

***BT Device Name***  
***BT Communication Mode***  
***BT Encryption***  
***BT Passkey***  
***BT Device Address***

These settings are available when the optional Bluetooth Photo Print Adapter is connected to the printer.

For more details, refer to the “Using the Bluetooth Photo Printer Adapter” on page 76.

---

## ***Exif Print and PRINT Image Matching***

Exif Version 2.2 (also called Exif Print, an international standard for digital cameras) and PRINT Image Matching allow you to print fine-quality photographs using, in combination, a digital camera and printer that support these features.

## ***Effectiveness***

### ***Exif Print***

When taking photographs using an Exif Print compatible digital camera, information about camera settings and scene conditions when the photograph was taken is embedded in the photo data. Such information includes exposure mode, white balance, gamma control, contrast, saturation, and sharpness, among other attributes. The printer then corrects and enhances the photo data using this information and prints an image that reflects the original scene captured by the digital camera.

## **PRINT Image Matching**

PRINT Image Matching gives control of the printing process to the digital camera, allowing printed images to reflect the camera's distinctive qualities. When taking photographs using a PRINT Image Matching compatible digital camera, print command information from the camera is embedded in the photo data. The print command then instructs the printer how to correct color and details based on information stored at the moment the photo was taken. Digital camera settings that create the print command include the gamma, color space, color balance, shadow point, contrast, and brightness settings, among other attributes. A printer equipped with PRINT Image Matching is able to interpret these commands and faithfully reproduce the characteristics of the image captured by the digital camera.

### **Note:**

- ❑ *See the relevant device instruction manual for details concerning the use of devices loaded with the PRINT Image Matching function.*
  
- ❑ *Please check with the input device manufacturer to determine whether it is loaded with the PRINT Image Matching function.*

## **Printing without a PC**

Insert the digital camera memory card into the memory card slot, specify the image to be printed to retrieve print commands registered in the image file and print.

### **Note:**

*Refer to the digital camera's documentation to find out whether the camera is Exif Print and/or PRINT Image Matching compatible.*

---

## Printing with DPOF files

This printer conforms to DPOF (Digital Print Order Format) version 1.10. DPOF lets you set the photo numbers and the number of copies for photos on the digital camera before you print. To create DPOF compliant data, you must use a digital camera that supports DPOF. For the details about DPOF settings, see your digital camera's documentation.

This section explains how to make print settings without using the Print Wizard.

1. Load paper and a memory card which contains DPOF data. Select Photo turns into DPOF as soon as you load the memory card. To exit DPOF mode, select the other settings as the Select Photo.
2. Make Layout settings. The copies menu shows the number of sheets of paper required for the selected layout.

**Note:**

*Layout setting is not available when the DPOF settings are for an Index print.*

3. Press the Print button to start printing.

---

## Printing with a Frame

You can print photos with frames by editing frames using the PIF DESIGNER software and saving them with the EPSON PRINT Image Framer Tool software. Before printing, the frames must be saved to a memory card. For details, see the *Software Installation Guide* and online *Reference Guide*.

1. Insert the memory card containing digital photo data and PRINT Image Framer data into the printer's card slot. If you have saved or deleted data on the memory card via your computer and have not ejected the memory card from the printer since, eject and reinsert the memory card before printing.

**Note:**

*Be sure to properly save the PRINT Image Framer data which named "\EPUDL\AUTOLOAD.USD" to the memory card using the EPSON PRINT Image Framer Tool; otherwise "AUTOLOAD" will not appear on the printer's LCD panel.*

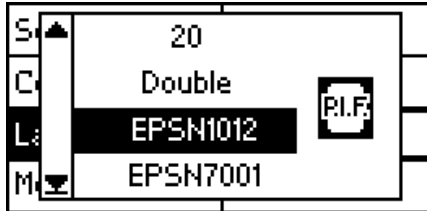
2. Select All, One Photo, Several or Range from the Select Photo menu. Index cannot be used with PRINT Image Framer data.

**Note:**

*Be sure the size of paper loaded matches that specified for the PRINT Image Framer data.*



3. Select the desired PRINT Image Framer data from the Layout menu. The PRINT Image Framer data file is displayed. PRINT Image Framer data is located at the bottom of the Layout menu.



Select Photo	Photo 20
Copies	1 each
Layout	EPSN1012
More Options	

4. Specify the photos that you want to print and the number of copies of each using the Select Photo and Copies menus.
5. Press the Print button to start printing.

---

## Print Directly from a Digital Camera

This printer features the USB DIRECT-PRINT and PictBridge functions, which enables you to print photos directly from a digital camera that also has the USB DIRECT-PRINT function, by connecting the camera to the printer with a USB cable.

### Operations before connecting

#### **Adjusting settings on the digital camera**

It is necessary to perform the following operations on the digital camera before connecting it to the printer. For more details on the operation of the digital camera, refer to its manual.

- Select the photo you want to print.
- Select the paper type and paper size you want to use.
- Select the appropriate layout setting.
- Select any other printing settings. (Settings will be different, depending on the make of your digital camera.)

#### **Note:**

- Depending on the make of your digital camera, some of the options above may not be available.*
- If the options above are not available on the digital camera, make the selections on the printer's LCD panel. For more details, see the next section.*

## ***Adjusting settings on the printer's LCD panel***

If the operations to be performed before connecting are not available on the digital camera, perform them on the printer's control panel.

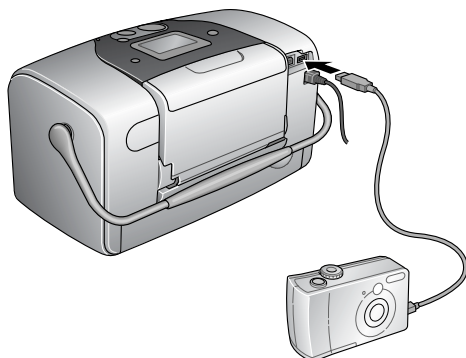
1. Select All, One Photo, Several or Range from the Select Photo menu.
2. Make the desired Layout settings.
3. Change the More Options settings if necessary.

## ***Connecting the digital camera to the printer***

### ***Note:***

- Do not print from the computer or from a memory card inserted in the printer's memory card slot before or while a digital camera is connected to the printer.*
- Do not backup before or while a digital camera is connected to the printer.*
- Make sure that the no error has occurred before a digital camera is connected to the printer.*
- Your printer has two USB connectors on the back. Although you can connect a USB cable to either, Epson recommends that you use the right USB connector for connecting the digital camera and the left USB connector for connecting a portable computer or a desktop computer.*

1. Connect the USB cable to the digital camera.
2. Connect the USB cable to the printer's external device USB connector.



3. Turn on the digital camera if it is turned off.

The message “A digital camera has been connected.” appears for one second on the LCD panel when the connection is established.

## Printing

Print from the digital camera. For more details on printing from the digital camera, refer to its manual.

### *Note:*

*When printing is finished, disconnect the USB cable from the printer if you will be inserting a memory card into the printer's memory card slot.*

## Canceling printing

Press the Cancel button on the printer's control panel. If you cancel printing from the digital camera, refer to its manual.

---

## Backup

Press the Save Photo button, it is possible to store the contents of a memory card in an external storage device, such as an MO (magneto-optical) drive, Zip<sup>®</sup> drive, or CD-R/RW drive, by connecting it to the printer.

MO	128, 230, 640 MB
Zip	100, 250, 750 MB
CD-R	650, 700 MB

For details on how to connect the external storage device.

➔ See “Connecting an external device” on page 44

### Note:

- ❑ *The media must have enough free space for backup.*
- ❑ *The media must have only one partition.*
- ❑ *You cannot back up while printing from the computer to the printer.*
- ❑ *Do not connect the external storage device while the computer is accessing the memory card in the printer.*
- ❑ *The message “Cannot recognize loaded media.” is displayed on the LCD panel if the storage media is not formatted for DOS or Windows. Follow the instructions on the LCD panel to format the storage media.*
- ❑ *You can backup up to 512 times to one storage medium, with the exception of CD-R.*
- ❑ *The media except CD-R must be formatted for DOS or Windows.*
- ❑ *The format for writing to CD-R is Multisession (Mode 1) and the file system is ISO 9660. Due to the ISO 9660 file system, the contents of a memory card that has 8 or more folder levels cannot be backed up to CD-R.*

- ❑ *The characters that can be used for folder and file names on the CD-R are capitals and the underscore (\_). Other characters are changed to underscores when backing up to CD-R.*
- ❑ *One session is created with each backup when backing up to CD-R.*
- ❑ *You can backup up to 47 times in a 650 MB CD-R or 50 times in a 700 MB CD-R.*



**Caution:**

*Do not remove the storage media from the external storage device or disconnect the cable from the printer while backing up.*

---

## **Printing with an External Device**

### **Connecting an external device**



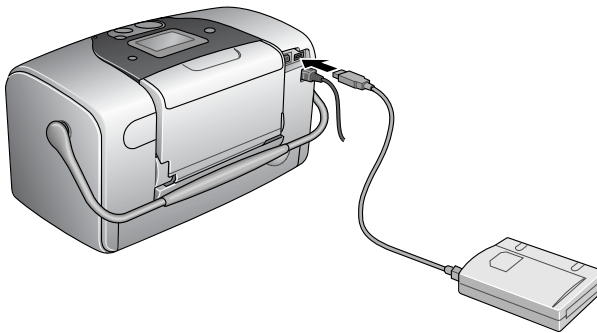
**Caution:**

- ❑ *Not all of the devices that can be connected with USB cable are supported. Contact your regional customer support for details.*
- ❑ *Do not connect USB devices other than an external storage device, such as a printer or mouse. The printer may fail.*
- ❑ *Do not connect the external storage device while the computer is accessing the memory card inserted in the printer.*

**Note:**

- ❑ *A USB cable is necessary in order to connect the printer with the external storage device.*
- ❑ *Use a USB cable of 1.8 meters or less.*
- ❑ *A USB hub cannot be used.*
- ❑ *Even if the printer is connected to a computer, the computer cannot recognize the external storage device.*

Insert the USB cable to the external device USB connector and insert the other connector into the external storage device.



## **Printing from an external device**

1. Insert a media that contains photo data into the external storage device.
2. If a memory card has been inserted in the memory card slot, remove it.

**Note:**

- ❑ *If a memory card is inserted in the memory card slot, the printer does not recognize the external storage device; it prints out the photo data in the memory card.*
  - ❑ *Select the folder in which the photo data you want to print out is registered using the Folder Selection menu if data in the external storage device has been backed up using the backup function of the printer. The Folder Selection menu is displayed when data in the external storage device is recognized and pressing the Back button.*
3. Set the individual items using the same procedure as when printing from a memory card, and perform printing.



---

# Replacing Photo Cartridge

---

## Checking the Ink Supply





### Using the LCD panel

1. Press the ▲ or ▼ to select More Options, then press the OK button.
2. Press the ▲ or ▼ to select Maintenance, then press the OK button.
3. Press the ▲ or ▼ to select Cartridge Status, then press the OK button. The ink icon appear on the LCD panel.



\* ink icon

Ink icon indicates the amount of the ink remaining as follows:

Ink icon	Status
 comes on	Ink remaining
 and  blinks	Photo cartridge is nearly empty.
 blinks	Photo cartridge is empty. Replace with a new one.

---

## Replacing the Photo Cartridge

This printer uses photo cartridge equipped with an IC chip. The IC chip accurately monitors the amount of ink, so even if it is removed and later reinserted, all of its ink can be used. However, some ink is consumed each time the cartridge is inserted because the printer automatically checks reliability.



### **Warning:**

*Keep photo cartridges out of the reach of children. Do not allow children to drink from or otherwise handle the cartridges.*



### **Caution:**

- Epson recommends the use of genuine Epson photo cartridges. Products not manufactured by Epson may cause damage to your printer not covered by Epson's warranties.*
- Leave the old cartridge installed in the printer until you have obtained a replacement; otherwise, ink remaining in the print head nozzles may dry out.*
- Do not refill photo cartridges. The printer calculates the amount of ink remaining using an IC chip on the photo cartridge. Even if the cartridge is refilled, the amount of ink remaining will not be recalculated by the IC chip and the amount of ink available for use will not change.*

**Note:**

*In addition to the ink used during an image printing, ink is consumed during the print head cleaning operation, during the self-cleaning cycle which is performed when the printer is turned on, and during ink charging when the photo cartridge is installed in the printer.*

For more information about photo cartridges.

➔ See “When handling photo cartridges” on page 10

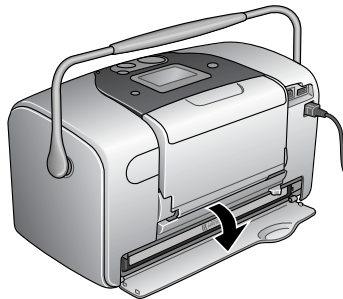
1. Make sure that the printer is on, but not printing.

**Note:**

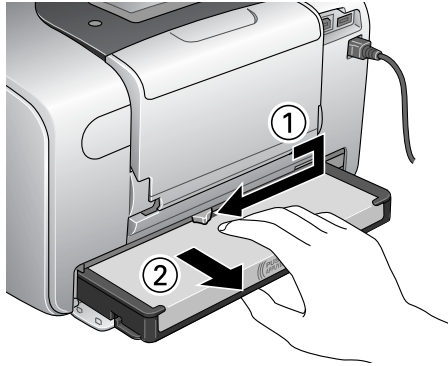
*Check the ink status.*

➔ See “Checking the Ink Supply” on page 47

2. Check that the message “Ink out.” is displayed on the LCD panel. This message is not displayed if there is some ink left.
3. Open the cartridge compartment cover on the back of the printer.

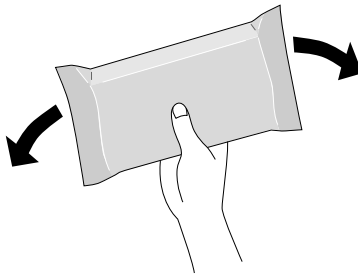


- Slide the cartridge lock lever to the right, then down and to the left. The photo cartridge will be ejected about halfway out of the holder. Pull the cartridge out of the printer and dispose of it properly.



**Note:**

- ❑ Do not take the used cartridge apart or try to refill it. Do not shake the used photo cartridge; otherwise, it may leak.
  - ❑ The photo cartridge must be replaced when any one of the colors is depleted. The rate that a specific color of ink is consumed depends on the images printed.
- For best results, shake the new photo cartridge four or five times before opening the package.



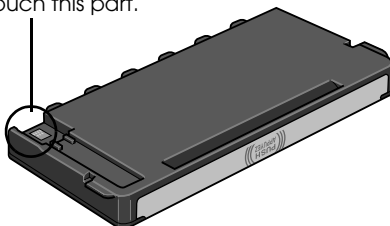
- Remove the replacement photo cartridge from its package.



**Caution:**

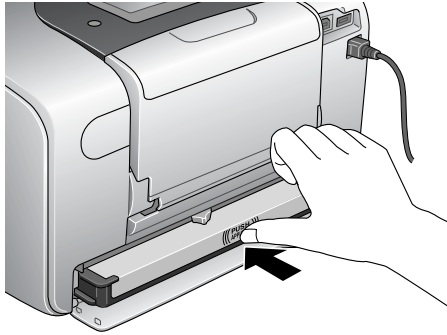
- ❑ *Do not touch the green IC chip on the bottom of the cartridge. This can damage the photo cartridge.*

Do not touch this part.

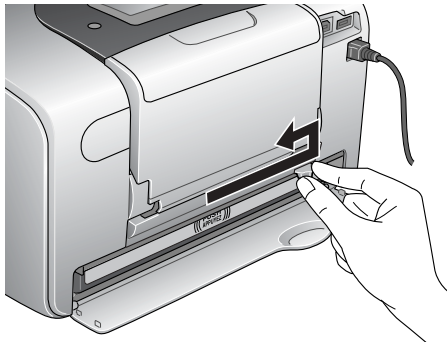


- ❑ *If you remove the photo cartridge for later use, be sure to protect the ink supply ports from dirt and dust; store it in the same environment as the printer. Note that there is a valve in the ink supply ports, making covers or plugs unnecessary, but care is needed to prevent the ink from staining items that the cartridge touches. Do not touch the ink supply ports or surrounding area.*
- ❑ *Be sure to always install a photo cartridge into the printer immediately following the removal of the current photo cartridge. If a photo cartridge is not installed promptly, the print head may dry out, rendering it unable to print.*

7. Place the cartridge properly into the cartridge holder, then push in the cartridge until it clicks into place.



8. Slide the cartridge lock lever all the way to the right, then up slightly so that it catches.



9. Close the cartridge compartment cover.

---

# Improving Print Quality

---

## Checking the Print Head Nozzles

If you find that the printout is unexpectedly faint or that dots are missing, you may be able to identify the problem by checking the print head nozzles.

**Note:**

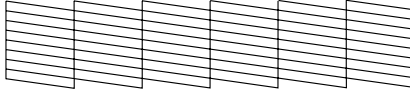
*You cannot clean the print head if the message “ink out” is displayed or the ink icon flashes to show ink out or ink low on the LCD panel. Replace the photo cartridge first.*

Follow the steps below to check the print head nozzles using the control panel buttons.

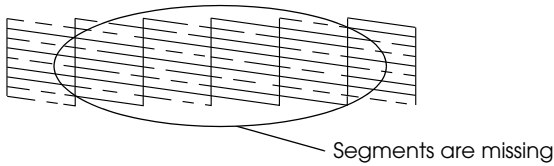
1. Make sure that the printer is turned on and no warnings or errors are displayed on the LCD panel.
2. Make sure that paper is loaded in the paper feeder.
3. Press the ▲ or ▼ button to select More Options, then press OK.
4. Press the ▲ or ▼ button to select Maintenance, then press OK button.
5. Press the ▼ button to position the cursor at Nozzle Check and press the OK button.
6. Follow the instructions displayed in the LCD panel and press the OK button.
7. The nozzle check pattern is printed out. See the following illustration. If it is necessary to clean the print head, press the OK button, then select Clean Print Head.

The printer will print a nozzle check pattern. Below are sample printouts.

Good sample



Print head needs to be cleaned



The above sample may be shown in black and white, but the actual test prints in color (Cyan, Magenta, Yellow, Black, Red and Blue).

If the nozzle check page does not print satisfactorily (for example, if any segment of the printed lines is missing), there is a problem with the printer. This could be a clogged ink nozzle or a misaligned print head.

See the next section for details on cleaning the print head.



---

## Cleaning the Print Head

If you find that the printout is unexpectedly faint or that dots are missing, you may be able to solve these problems by cleaning the print head, which ensures that the nozzles are delivering ink properly.

### Note:

- ❑ *Print head cleaning consumes some ink. To avoid wasting ink, clean the print head only if print quality declines; for example, if the printout is blurry or the color is incorrect or missing.*
- ❑ *Use the Nozzle Check function first to confirm that the print head needs to be cleaned. This saves ink.*
- ❑ *You cannot clean the print head if the message “ink out” is displayed or the ink icon flashes to show ink low on the LCD panel.*

Follow the steps below to clean the print head using the control panel buttons.

1. Make sure that the printer is turned on and no warnings or errors are displayed on the LCD panel.
2. Make sure that paper is loaded in the paper feeder.
3. Press the ▲ or ▼ button to select More Options, then press OK.
4. Press the ▲ or ▼ button to select Maintenance, then press OK button.
5. Press ▼ button to position the cursor at Clean Print Head and press the OK button.



### Caution:

*Never turn the power supply to the printer off while the progress meter is displayed in the LCD panel. Doing so may damage the printer.*

6. Follow the instructions displayed in the LCD panel and press the OK button.
7. The print head cleaning starts.

**Note:**

- ❑ *If print quality has not improved after repeating this procedure four or five times, turn the printer off and leave it alone overnight. Then, do the nozzle check again, and repeat the head cleaning if necessary.*
- ❑ *If the print quality still has not improved, your photo cartridge may be old or damaged and may need to be replaced.  
➔ See “Replacing the Photo Cartridge” on page 48 to replace the photo cartridge before it is empty.*
- ❑ *If print quality remains a problem after replacing the photo cartridge, contact your dealer.*
- ❑ *To maintain print quality, we recommend printing a few pages at least once every month.*

---

## **Aligning the Print Head**

If you notice a misalignment of vertical lines or horizontal banding, you may be able to solve this problem from your computer using the Print Head Alignment utility in your printer software. Refer to the appropriate section below.

Follow the steps below to align the print head using the control panel buttons.

1. Check that no warnings or errors are displayed on the LCD panel.
2. Make sure that paper is loaded in the paper feeder.

3. Press the ▲ or ▼ button to select More Options, then press OK.
4. Press the ▲ or ▼ button to select Maintenance, then press OK button.
5. Press ▼ button to position the cursor at Align Print Head and press the OK button.
6. Follow the instructions displayed on the LCD panel.
7. From the alignment pattern in set #1 on the printed test sheet, choose the vertical line that is aligned best. Press the ▲ or ▼ button to select the corresponding line number and press the OK button.
8. Repeat step 7 for the alignment patterns in sets #2.
9. Press the OK button to finish.

---

## Cleaning the Printer

To keep your printer operating at its best, clean it thoroughly several times a year as follows.

1. Turn off the printer and unplug the printer's power cord.
2. Remove any paper from the paper feeder.
3. Use a soft brush to carefully clean away all dust and dirt from the paper feeder.
4. If the outer case or the inside of the paper feeder is dirty, wipe it with a soft, clean cloth dampened with mild detergent. Keep the output tray closed to prevent water from getting inside.
5. If the inside of the printer accidentally gets soiled with ink, wipe it off with a damp cloth.



### **Caution:**

- ❑ *Never use alcohol or thinner to clean the printer, as these chemicals can damage the components as well as the case.*
- ❑ *Be careful not to get water on the printer mechanism or electronic components.*
- ❑ *Do not use a hard or abrasive brush.*
- ❑ *Do not spray the inside of the printer with lubricants. Unsuitable oils can damage the mechanism. Contact your dealer or a qualified service person if lubrication is needed.*

---

## Transporting the Printer

If you need to transport your printer, carefully prepare and repack it as described below using the original box (or a similar box that the printer fits snugly into) and packing materials. Follow the steps below.



**Caution:**

- ❑ *When storing or transporting the printer, do not tilt it, stand it up vertically, or turn it upside down. Otherwise, ink may leak from the cartridge.*
  
  - ❑ *Leave the photo cartridge installed. Removing the cartridge can dehydrate the printer head and may prevent the printer from printing.*
1. Turn off the printer, and then unplug the printer.
  2. Disconnect the interface cable from the printer.
  3. Remove the paper from the paper feeder.
  4. Attach the protective materials to both sides of the printer.
  5. Repack the printer and power cord in the original box.
  6. Keep the printer level during transport.
  7. Be sure to remove the protective materials and tape from the printer before using it again.

---

## *Troubleshooting*

The solutions herein are for problems when printing directly from a memory card.

---

## *Error/Warning Display*

You can identify many common printer problems using the display on your printer's LCD panel.

## Error

Display	Solution
<p>Ink out. (T557)</p> <p>The genuine EPSON photo cartridge listed above is recommended for replacement.</p>	<p>Replace the photo cartridge shown, with a new one.</p>
<p>The internal pad that absorbs ink during head cleaning has become saturated. (T557) The genuine EPSON photo cartridge listed above is recommended for replacement.*</p>	<p>Replace the photo cartridge shown, with a new one.</p>
<p>The ink-absorbing pad inside the photo cartridge is saturated. The photo cartridge must be replaced before cleaning.</p>	<p>Replace the photo cartridge with a new one. Press OK.</p>
<p>Paper is not set correctly. Set the paper correctly, then press the OK button.</p>	<p>Load paper in the paper feeder, and press the OK button to turn this light off. The printer resumes printing.</p>
<p>A paper jam has occurred. Remove the sheet, and press OK.</p>	<p>Remove the jammed paper. See "The paper jams" on page 67 for details.</p>
<p>(T557) The photo cartridge cannot be recognized. The genuine EPSON photo cartridge listed above is recommended for replacement.</p>	<p>Reinstall the cartridge shown.</p>
<p>Service required. Parts inside your printer are at the end of their service life. See your printer's documentation for details.</p>	<p>Contact your dealer.</p>
<p>The inserted card cannot be used with this printer.</p>	<p>Use a compatible and formatted memory card.</p>

<p>Bluetooth Photo Print Adapter error. Disconnect the Adapter from the printer, then reconnect it.</p>	<p>Disconnect the Adapter, then reconnect to the printer.</p>
<p>Cartridge compartment cover is open. Close the cartridge compartment cover.</p>	<p>Close the cartridge compartment cover on the back of the printer.</p>
<p>General error. See your printer manual for information about clearing the error.</p>	<p>Turn the printer off, and, after a few seconds, turn it on again. If the error is not cleared, contact your dealer.</p>

\* The photo cartridge for this printer includes an internal pad to absorb ink discharged during head cleaning. In the event that the pad becomes saturated, the photo cartridge must be replaced even if there is ink remaining.



## Warning

<b>Error</b>	<b>Display</b>	<b>Solution</b>
Ink low	You are running low on ink.	Obtain a replacement photo cartridge.
No data in Memory card	No images were found on the card. Please check the card.	Check the memory card.
Printing from computer* <sup>1</sup>	Communicating with computer. Please wait.	Start printing from the LCD panel after printing from the computer is completed.
Irregular external device.* <sup>2</sup>	The connected device cannot be used.	Connect on external storage device that is compatible with the printer.

\*1 This warning appears when the Print button is pushed, and it disappears after three seconds.

\*2 This warning is displayed for one second every 3 seconds.

## **EPSON Status Monitor**

If a problem occurs while printing, an error message will appear in the Progress Meter window.

When the ink is out, click the HOW TO button in the EPSON Status Monitor or Progress Meter window, and EPSON Status Monitor will lead you step-by-step through the cartridge replacement procedure.

If an error message indicating that parts inside your printer are near the end of their service life appears, contact your dealer for replacement.

---

## Print Quality Problems

### Horizontal banding

- ❑ Make sure that the printable side of the paper is face up in the paper feeder.
- ❑ Run the Head Cleaning utility to clear any clogged ink nozzles.  
➔ See “Cleaning the Print Head” on page 55
- ❑ Run the Print Head Alignment utility.  
➔ See “Aligning the Print Head” on page 56
- ❑ Use up photo cartridge within six months after opening its package.
- ❑ Use the genuine Epson photo cartridge.
- ❑ Check the LCD panel. If the ink icon is flashing or a message is displayed, replace the photo cartridge.  
➔ See “Replacing the Photo Cartridge” on page 48

### Vertical misalignment or banding

- ❑ Make sure that the printable side of the paper is face up in the paper feeder.
- ❑ Run the Head Cleaning utility to clear any clogged ink nozzles.  
➔ See “Cleaning the Print Head” on page 55
- ❑ Run the Print Head Alignment utility.  
➔ See “Aligning the Print Head” on page 56

## *Incorrect or missing colors*

- ❑ Run the Head Cleaning utility.  
➔ See “Cleaning the Print Head” on page 55

If colors are still incorrect or missing, replace the photo cartridge.

➔ See “Replacing the Photo Cartridge” on page 48

- ❑ If you have just replaced the photo cartridge, make sure the date on the box has not expired. Also, if you have not used the printer for a long time, replace with new photo cartridge.  
➔ See “Replacing the Photo Cartridge” on page 48

## *Blurry or smeared printout*

- ❑ Use only paper recommended by Epson.  
➔ See “Consumable products” on page 74
- ❑ Use a genuine Epson photo cartridge.
- ❑ Make sure that the printer is on a flat, stable surface that extends beyond the printer base in all directions. The printer will not operate properly if it is tilted.
- ❑ Make sure that your paper is not damaged, dirty, or too old.
- ❑ Make sure that your paper is dry and that the printable side is facing up.
- ❑ If the paper is curled toward the printable side, flatten it or curl it slightly in the opposite direction.
- ❑ Remove each sheet from the output tray as it is printed.

- ❑ Do not touch or allow anything to come into contact with the printed side of paper with a shiny finish. After printing, allow the ink to set for a few hours before handling them.
- ❑ Run the Head Cleaning utility.  
➔ See “Cleaning the Print Head” on page 55
- ❑ Run the Print Head Alignment utility.  
➔ See “Aligning the Print Head” on page 56

---

## *Printout Problems Not Related to Print Quality*

### *Blank pages print*

- ❑ Run the Head Cleaning utility to clear any clogged nozzles.  
➔ See “Cleaning the Print Head” on page 55

### *Printout has smears*

- ❑ If the paper is curled toward the printable side, flatten it or curl it slightly in the opposite direction.
- ❑ Load and eject dry paper several times. If the problem persists, ink may have leaked inside the printer. In this event, check the photo cartridge and replace it if it has leaked.

---

## Paper Does Not Feed Correctly

### Paper does not feed

Remove the stack of paper and make sure of the following:

- ❑ The paper is not curled or creased.
- ❑ The paper is not too old.  
➔ See “Paper Handling Instructions” in the online *Reference Guide*
- ❑ The paper is not loaded higher than the triangular load-limit mark on the edge guide.
- ❑ The paper stack fits under the tabs inside the edge guide.
- ❑ Paper is not jammed inside the printer. If it is, remove the jammed paper.  
➔ See “The paper jams” on page 67
- ❑ The photo cartridge is not empty. If it is, replace the cartridge.  
➔ See “Replacing the Photo Cartridge” on page 48
- ❑ Special loading instructions that came with your paper have been followed. Load the paper again.  
➔ See “Loading Paper” in the online *Reference Guide*

### The paper jams

Open the paper feeder and output tray. Remove all of the paper inside, including any torn pieces, and press the OK button. Reload the paper. If any printing jobs remain, the printer will automatically start printing.

**Note:**

*If you cannot remove a foreign object easily by yourself, do not use force and do not disassemble the printer. Call your dealer for assistance.*

If your paper jams frequently, make sure of the following:

- The paper is smooth, not curled or wrinkled.
- The printable side of the paper is face up in the paper feeder.
- The paper stack was fanned before loading.
- The paper is not loaded above the triangular load-limit mark on the left edge guide.
- The number of sheets in the paper stack does not exceed 20.
- The left edge guide is adjusted to fit your paper.
- The printer is on a flat, stable surface that extends beyond the printer base in all directions. The printer will not operate properly if it is tilted.

## **Paper improperly loaded**

If you have loaded the paper too far into the printer, the printer cannot feed the paper correctly. Reload the paper properly and press the OK button.

## **Paper is not ejected fully or is wrinkled**

If the paper does not eject fully, remove the paper.


**Note:**

*Store any unused paper in its original packaging in a dry area.*

---

## Printer Does Not Print

### LCD panel is off

- ❑ Press the  On button to make sure that the printer is on.
- ❑ Turn off the printer and make sure that the power cord is securely plugged in.
- ❑ Make sure that your outlet works and is not controlled by a wall switch or timer.

### LCD panel displays a warning or error message

If the LCD panel displays a warning or error message, follow the instructions. See “Error/Warning Display” on page 60 for the explanation of warnings and error messages.

### LCD panel came on and then went out

The printer’s voltage may not match the outlet rating. Turn off the printer and unplug it immediately. Then, check the printer labels.



**Caution:**

*If the voltage does not match, DO NOT PLUG YOUR PRINTER BACK IN. Contact your dealer.*

---

## ***Printing Problem when Using Bluetooth Photo Print Adapter***

If you are having difficulties using your printer with the Bluetooth Photo Print Adapter, see the following:

➔ See “Using the Bluetooth Photo Printer Adapter” on page 76

---

## ***Canceling Printing***

If you encounter problems while printing, you may need to cancel printing.

To stop printing in progress, press **Cancel** button. The printer will cancel all print jobs and stop printing, and eject any pages which is printing. Depending on the printer’s status, printing may not stop immediately.



---

## Contacting Customer Support

---

### Technical Support Web Site

Epson's Technical Support Web Site provides help with problems that cannot be solved using the troubleshooting information in your product's documentation. If you have a Web browser and can connect to the Internet, access that site at:

<http://support.epson.net/PictureMate/>

---

### Regional Customer Services

If your Epson product is not operating properly and you cannot solve the problem using the troubleshooting information in your product documentation, contact customer support services for assistance. If customer support for your area is not listed below, contact the dealer where you purchased your product.

Customer support will be able to help you much more quickly if you give them the following information:

- Product serial number  
(The serial number label is usually on the back of the product.)
- Product model
- Product software version  
(Click About, Version Info, or similar button in the product software.)
- Brand and model of your computer

- ❑ Your computer operating system name and version
- ❑ Names and versions of the software applications you normally use with your product

**Note:**

*For more information on Contacting Customer Support, see the Online Reference Guide included in the software CD-ROM.*

**For users in Australia**

URL	<a href="http://www.epson.com.au">http://www.epson.com.au</a>
Telephone	1300 361 054
Fax	(02) 9903 9189

**For users in Singapore**

URL	<a href="http://www.epson.com.sg">http://www.epson.com.sg</a>
Telephone	(65) 6586 3111

**For users in Thailand**

URL	<a href="http://www.epson.co.th">http://www.epson.co.th</a>
Telephone	(66)2-670-0333

**For users in Indonesia**

URL	<a href="http://www.epson.co.id">http://www.epson.co.id</a>	
Telephone/Fax	Jakarta	(62) 21-62301104
	Bandung	(62) 22-7303766
	Surabaya	(62) 31-5355035/31-5477837
	Medan	(62) 61-4516173
	Makassar	(62) 411-350147/411-350148
Telephone	Yogyakarta	(62) 274-565478

### ***For users in Hong Kong***

URL	<a href="http://www.epson.com.hk">http://www.epson.com.hk</a>
Phone	(852) 2827-8911
Fax	(852) 2827-4383

### ***For users in Malaysia***

URL	<a href="http://www.epson.com.my">http://www.epson.com.my</a>
Phone	603-56288333

### ***For users in India***

URL	<a href="http://www.epson.co.in">http://www.epson.co.in</a>
Phone	1600 440011

### ***For users in the Philippines***

URL	<a href="http://www.epson.com.ph">http://www.epson.com.ph</a>
Phone	(63) 2-813-6567
Fax	(63) 2-813-6545
E-mail	<a href="mailto:customersupport@epc.epson.com.ph">customersupport@epc.epson.com.ph</a>

---

## Option and Consumable Products

---

### Option and Consumable Products

#### Option

##### **Bluetooth Photo Print Adapter**

Bluetooth unit C824\*\*\*

**Note:**

The asterisk is a substitute for the last digit of the product number, which varies by location.

➔ See “Using the Bluetooth Photo Printer Adapter” on page 76

#### Consumable products

The following photo cartridge and Epson special media are available for your printer.

PictureMate PicturePack (PictureMate Photo Cartridge and 100 sheets of PictureMate Photo Paper)	T5570
PictureMate Photo Cartridge	T557G
EPSON Premium Glossy Photo Paper (10 × 15 cm)	S041706 S041692 S041729 S041730 S041750 S041758 S041761

**Note:**

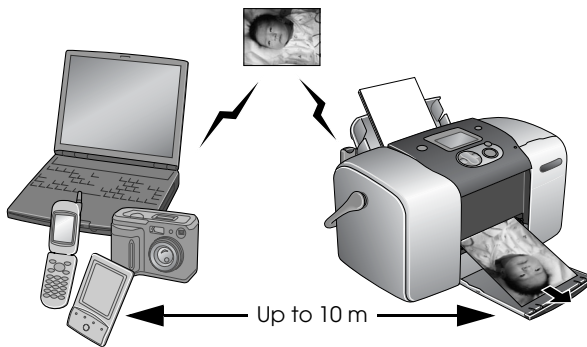
- ❑ *PictureMate also gives excellent results using EPSON Premium Glossy Photo Paper.*
  
- ❑ *Please check your local EPSON customer support website where to buy or visit your local dealer.*
  - ➔ *See “Contacting Customer Support” on page 71*

---

## Using the Bluetooth Photo Printer Adapter

### About the Bluetooth Photo Print Adapter

The optional Bluetooth Photo Print Adapter is a wireless communication module used to print from digital cameras and other devices with Bluetooth wireless technology without cables when connected to the printer.



#### Note:

- ❑ While this product complies with the Bluetooth Specification, it is not guaranteed to work with all devices enabled with Bluetooth wireless technology.
- ❑ The communication range of this product is approximately 10 meters; however, this may vary depending on conditions including obstacles between devices; signal quality; magnetic fields; static electricity and electromagnetic interference; software; operating system; reception sensitivity; and antenna performance.

## Available Profile

Basic Printing Profile (BPP)

Basic Imaging Profile (BIP)

Hardcopy Cable Replacement Profile (HCRP)

Object Push Profile (OPP)

## Connecting and Disconnecting the Bluetooth Photo Print Adapter

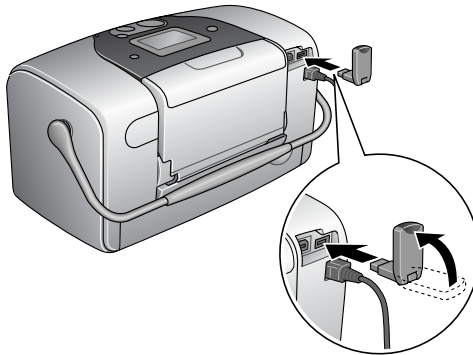
### Connecting

1. Insert the Adapter connector into the external device USB connector as shown below.



#### *Caution:*

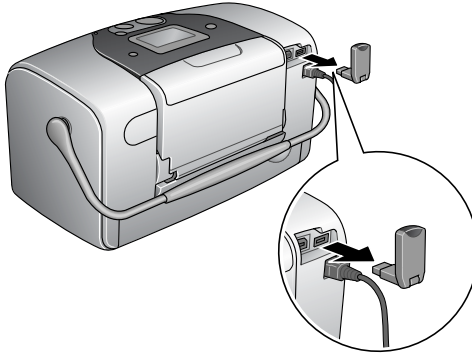
*Do not connect this product while the printer is operating. Doing so may cause the printer to malfunction.*



2. The Adapter's light comes on for one second. If the LED does not turn on, disconnect the Adapter from the printer, then reconnect it.

## Disconnecting

Remove the Adapter's connector from the external device USB connector as shown below.



### *Caution:*

- ❑ *Do not remove this product while communicating with another device.*
  
- ❑ *Do not disconnect this product while the printer is operating. Doing so may cause the printer to malfunction.*
  
- ❑ *Do not remove this product by pulling on its upper section. Doing so may damage the product.*

## Bluetooth Settings

Use the LCD panel on the printer to make settings for Bluetooth wireless communication.

➔ See “Making settings” on page 80



## Outline of settings

Setting	Choices	Description
BT Device Name	printer name-(number) (Default = 1)	If multiple printers enabled with Bluetooth are in the same communication range, distinguish them by assigning each number from 0 through 9.  To make the Device Name setting take effect, turn the printer off and then back on.
BT Communication Mode	Public	This mode allows devices enabled with Bluetooth to freely discover the printer and print.
	Private	This mode prevents unknown devices from discovering the printer.  To print in Private mode, first search for the printer once in Public mode. After your device has discovered the printer in Public mode once, it will subsequently be able to communicate with and print from it in Private mode.
	Bonding	This mode requires that the four-digit Passkey be entered into a device before it can communicate with and print from the printer.
BT Encryption	On/Off (Default = Off)	Select On to encrypt communication. Encryption requires that the four-digit Passkey be entered into a device before it can communicate with and print from the printer.
BT Passkey	Any four-digit number (Default = 0000)	The Passkey setting allows you to set the four-digit Passkey that must be entered into a device before printing if Bonding is selected as the Communication Mode or if Encryption is On.
BT Device Address	Set at the factory (Example) 11-11-11-11-11-11	Displays the unique Bluetooth Device Address of the printer.

## Making settings

1. Connect the Bluetooth Photo Print Adapter to your printer.  
➔ See “Connecting and Disconnecting the Bluetooth Photo Print Adapter” on page 77



### Caution:

*Be sure that the printer is not operating before connecting this product. Otherwise, the printer may malfunction.*

2. Press the ▲ or ▼ button to highlight More Options, and then press the OK button.

Select Photo	---
Copies	---
Layout	Borderless
More Options	

3. Use the ▼ or ▲ buttons and the OK button to make the desired settings.  
➔ See “Outline of settings” on page 79

▲	Select Language
	BT Device Name
	BT Communication Mode
	BT Encryption
	BT Passkey
▼	BT Device Address

## The Bluetooth Passkey Setting (Bluetooth PIN)

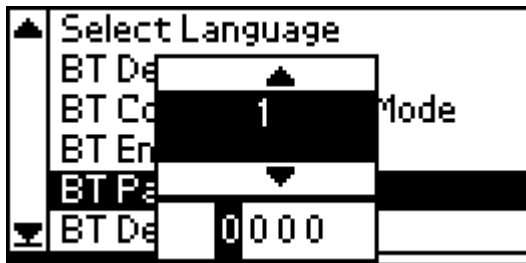
If you select Bonding as the Communication Mode or On as the Encryption setting, the Passkey must be entered into a Bluetooth wireless-capable device before it can communicate with and print from the printer. The default Passkey is 0000.

To change the Passkey, follow the instructions below. A Passkey of 1234 is used as an example.

1. Press the ▲ or ▼ button to highlight More Options, then press the OK button.
2. Press the ▲ or ▼ button to highlight BT Passkey, then press the OK button.



3. Press the ▲ or ▼ button to select a number for the first digit, then press the OK button.



- Select numbers for the second through fourth digits in the same manner.

**Note:**

To go back to a previous digit, highlight **Back** and then press the **OK** button.

- When **Apply** appears, press the **OK** button to activate the Passkey.



## Printing

Print settings are made using both the printer’s LCD panel and the device sending the print job. Refer to the following table to determine where to make each setting.

Print Setting	Setting Location
Select Photo	Bluetooth Wireless-capable device
Copies	Printer’s LCD Panel (If you select more than 2 as the copies setting, you need to first select All as the Select Photo setting)
Layout	

**Note:**

The settings available may vary among Bluetooth wireless-capable devices. For more information, refer to your device’s documentation.

For more information about printing from Bluetooth wireless-capable digital still cameras, digital video cameras, PDAs, mobile PCs and other Bluetooth wireless-capable device, refer to the documentation for both the device and the printer.

---

# Printer Specifications

---

## Printer Specifications

### Printer

<b>Dimensions</b>	Storage Width: 256 mm (10.0 inches) Depth: 146 mm (5.7 inches) Height: 147 mm (5.8 inches)
	Printing Width: 256 mm (10.0 inches) Depth: 304 mm (11.9 inches) Height: 162 mm (6.4 inches)
<b>Printable area</b>	Border printing: 3 mm margin for all sides of paper Borderless printing: 0 mm margin
<b>Paper tray capacity</b>	20 sheets
<b>Weight</b>	2.5 kg (5.5 lb) without photo cartridge

## Electrical

	100-120 V Model	220-240 V Model
<b>Input voltage range</b>	90 to 132 V	198 to 264 V
<b>Rated frequency range</b>	50 to 60 Hz	
<b>Input frequency range</b>	49.5 to 60.5 Hz	
<b>Rated current</b>	0.3 A (Max. 0.5 A)	0.15 A (Max. 0.3 A)
<b>Power consumption</b>	Approx. 13.0 W (Digital camera image)  Approx. 4.0 W in Sleep mode	Approx. 13.5 W (Digital camera image)  Approx. 4.5 W in Sleep mode

**Note:**

*Check the label on the back of the printer for the voltage of your printer.*

## Environmental

<b>Temperature</b>	<p>Operation: 10 to 35°C (50 to 95°F)</p> <p>Storage: -20 to 60°C (-4 to 140°F)</p> <p>Transit:*</p> <p>-20 to 60°C (-4 to 140°F)</p> <p>1 month at 40°C (104°F) 120 hours at 60°C (140°F)</p>
<b>Humidity</b>	<p>Operation: 20 to 80% RH</p> <p>Storage:*, ** 5 to 85% RH</p>

\* Stored in a shipping container

\*\* Without condensation

## AC adapter

Model	A251B	A251E
Input	AC 100 - 120 V, 50 - 60 Hz	AC 220 - 240 V, 50 - 60 Hz
Output	DC 42 V, 0.4 A	DC 42 V, 0.4 A
Temperature	5 to 35 °C (41 to 95°F)	5 to 35°C (41 to 95°F)

## Built-in card slots

<b>Card Slots</b>	CF Type II card slot	Compatible with "CF+ and CompactFlash Specification 1.4"
	SmartMedia card slot	Compatible with "SmartMedia Standard 2000"
	Memory Stick/MemoryStick PRO card slot	Compatible with "Memory Stick Standard version 1.3"  Compatible with "Memory Stick Standard Memory Stick PRO Format Specifications version 1.0"
	SD/MMC card slot	Compatible with "SD Memory Card Specifications / PART1. Physical Layer Specification Version 1.0"  Compatible with "MultiMediaCard Standard"
	xD-Picture Card Slot	Compatible with "xD-Picture Card™ Card Specification Version 1.00"
<b>Compatible memory cards</b>	➔ See "Loadable storage media" on page 19	
<b>Voltage Requirements</b>	3.3 v  Maximum current is 500 mA	

\* Maximum capacity is 128 MB.

\*\* Adapter required.



## Photo Cartridge

### PictureMate Photo Cartridge (T557)

<b>Color</b>	Black, Cyan, Magenta, Yellow, Red and Blue
<b>Cartridge life</b>	Within 6 months of opening the package, at 25°C (77°F)
<b>Temperature</b>	Storage: -20 to 40°C (-4 to 104°F) 1 month at 40°C (104°F) Transit: -30 to 60°C (-22 to 140°F) 120 hours at 60°C (140°F) Freezing: * -11°C (12.2°F)

\* Ink thaws and is usable after approximately 3 hours at 25°C (77°F).

## External Storage Devices

<b>Connectivity</b>	Universal Serial Bus Specifications Revision 1.1* Bit rate: 12 Mbps (Full speed device) Connector type: USB Series B Data Encoding: NRZI Recommended cable length: Less than 1.8 meters
---------------------	---

\* Not all USB devices are supported. Contact your regional customer support for details.

## Standards and Approvals

### Printer

U.S. model:

EMC

FCC Part 15 Subpart B Class B  
CSA C108.8 Class B

European model:

EMC Directive  
89/336/EEC

EN 55022 Class B  
EN 55024

Australian model:

EMC

AS/NZS 3548 Class B

### AC Adapter

U.S. model:

Safety

UL 60950  
CSA No.60950

EMC

FCC Part 15 Subpart B Class B  
CSA C108.8 Class B

European model:

Low Voltage Directive  
73/23/EEC

EN 60950

EMC Directive  
89/336/EEC

EN 55022 Class B  
EN 55024  
EN 61000-3-2  
EN 61000-3-3

Australian model:

Safety

AS/NZS 3260 or AS/NZS 60950

EMC

AS/NZS 3548 Class B



---

**EPSON OVERSEAS MARKETING LOCATIONS**

---

---

**Epson America, Inc.**

3840 Kilroy Airport Way  
Long Beach, CA 90806  
Phone: (562) 981-3840  
Fax: (562) 290-5220

**EPSON UK LTD.**

Campus 100, Maylands Avenue,  
Hemel Hempstead, Herts,  
HP2 7TJ, U.K.  
Phone: (+44) 01442 261144  
Fax: (+44) 01442 227227

---

**EPSON DEUTSCHLAND GmbH**

Zülpicher Straße 6,  
40549 Düsseldorf Germany  
Phone: (0211) 56030  
Fax: (0211) 5047787

**EPSON FRANCE S.A.**

68 bis, rue Marjolin  
92300, Levallois-Perret, France  
Phone: 33.1.41.86.26.56  
Telex: 610657

---

**EPSON AUSTRALIA PTY. LTD.**

70 GIBBES STREET,  
CHATSWOOD 2067 NSW.  
Phone: 2-9903-9000  
Fax: 2-9903-9177

**EPSON SINGAPORE PTE. LTD.**

No. 1 Temasek Avenue #36-00  
Millenia Tower, Singapore 039192  
Phone: (065) 633 77 911  
Fax: (065) 633 41 185

---

**EPSON HONG KONG LTD.**

20/F, Harbour Centre,  
25 Harbour Road,  
Wanchai, Hong Kong  
Phone: 2585-4300  
Fax: 2827-7083

**EPSON TAIWAN TECHNOLOGY & TRADING LTD.**

14F, No.7, Song Ren Road, Taipei,  
Taiwan 110  
Phone: (02) 8786-6688  
Fax: (02) 8786-6633

---

**EPSON ITALIA S.p.A.**

V.le F.lli Casiraghi 427  
20099 Sesto S.Giovanni  
MI, Italy  
Phone: +3902262331  
Fax: +39022440750

**EPSON IBERICA S.A.**

Av. de Roma, 18-26  
08290 Cerdanyola del Valles  
Barcelona, Spain  
Phone: 582. 15.00  
Fax: 582. 15.55

---

**SEIKO EPSON CORPORATION  
(Hirooka Office)**

80 Harashinden, Hirooka  
Shiojiri-shi, Nagano-ken  
399-0785 Japan

**EPSON PORTUGAL, S.A.**

R. do Progresso, 471, 1º Perafita  
4460 Matosinhos, Portugal  
Phone: (02) 996 14 02  
Fax: (02) 996 14 11

---



MEMORY STICK PRO

