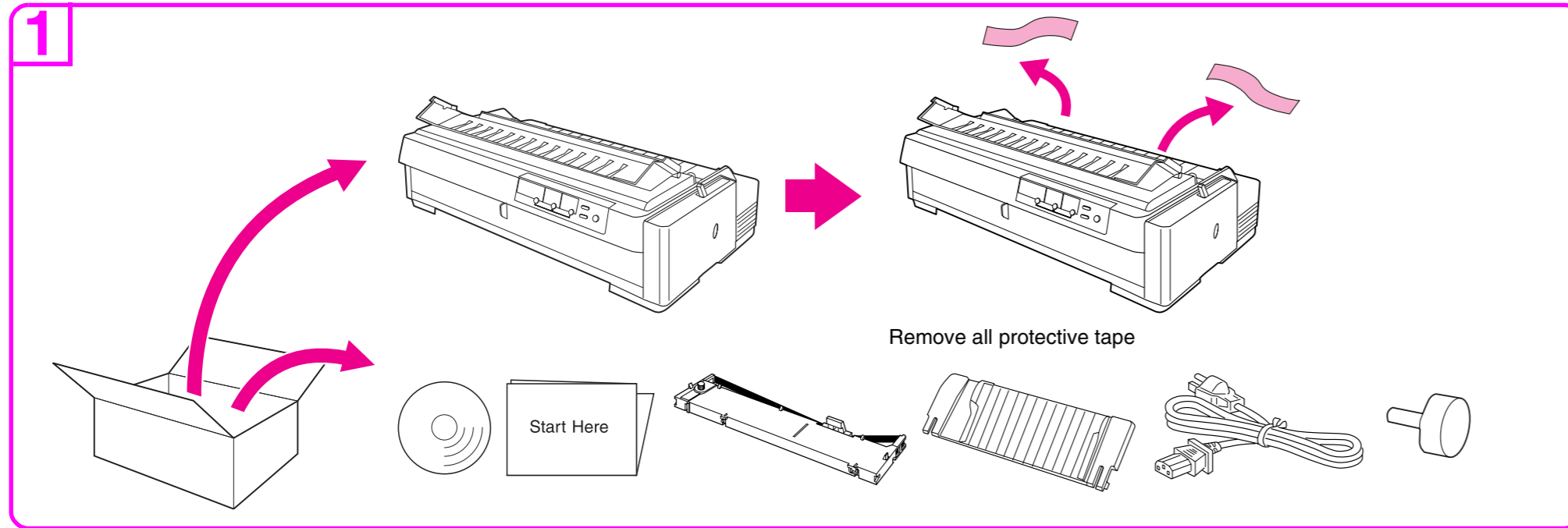


# LQ-2190

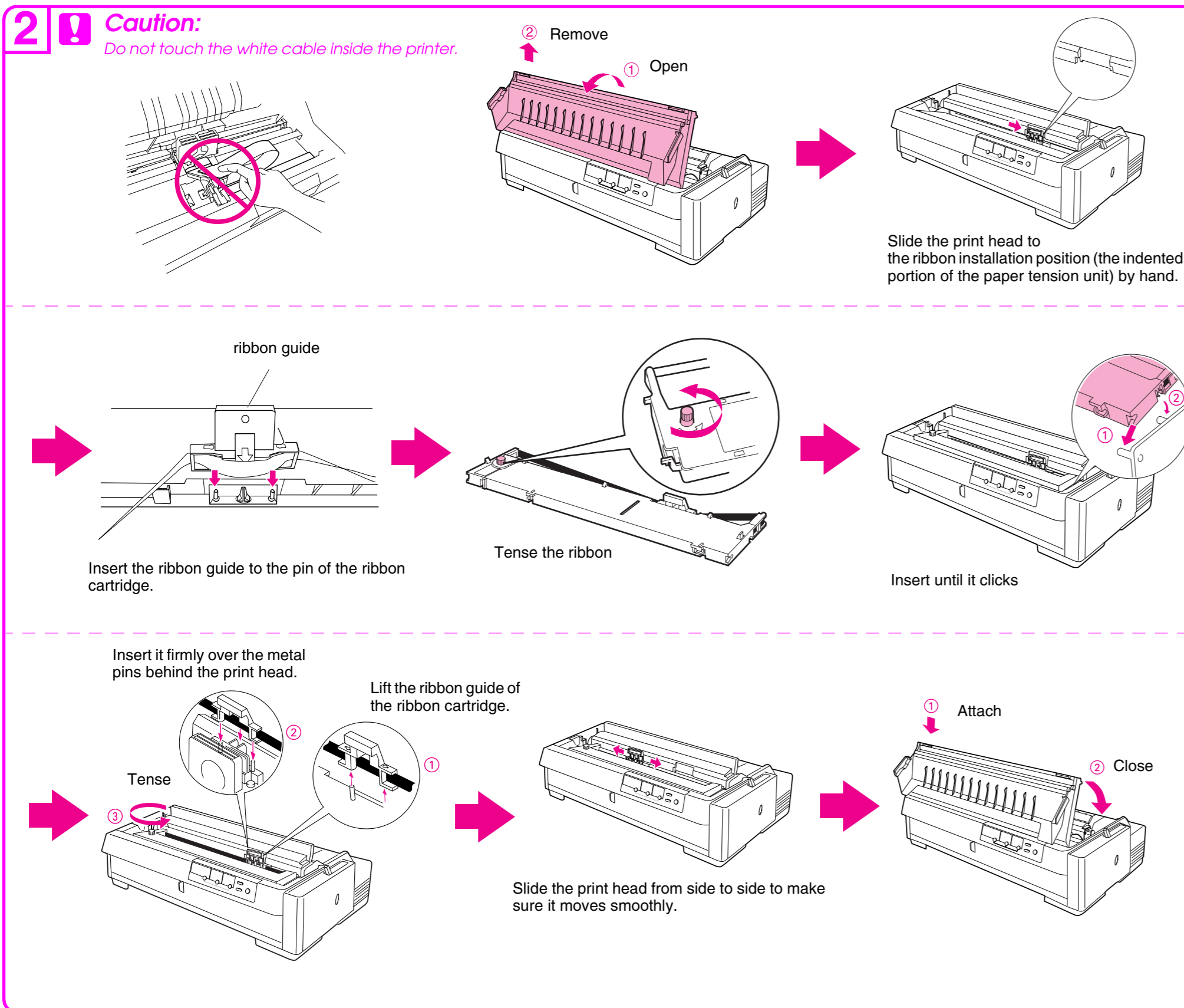
## Start Here



### Unpacking

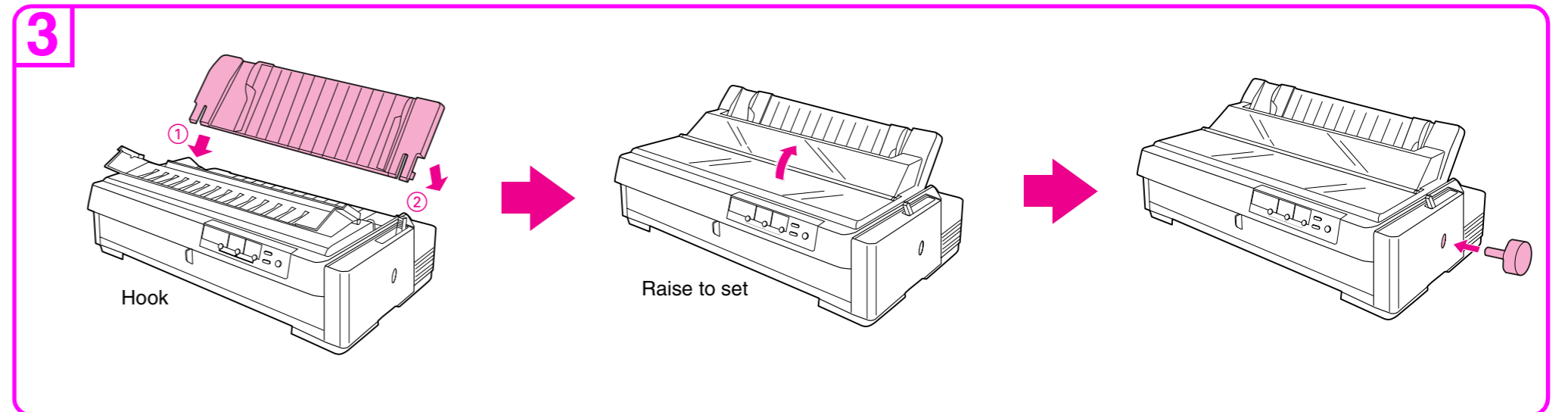


### Installing the Ribbon Cartridge

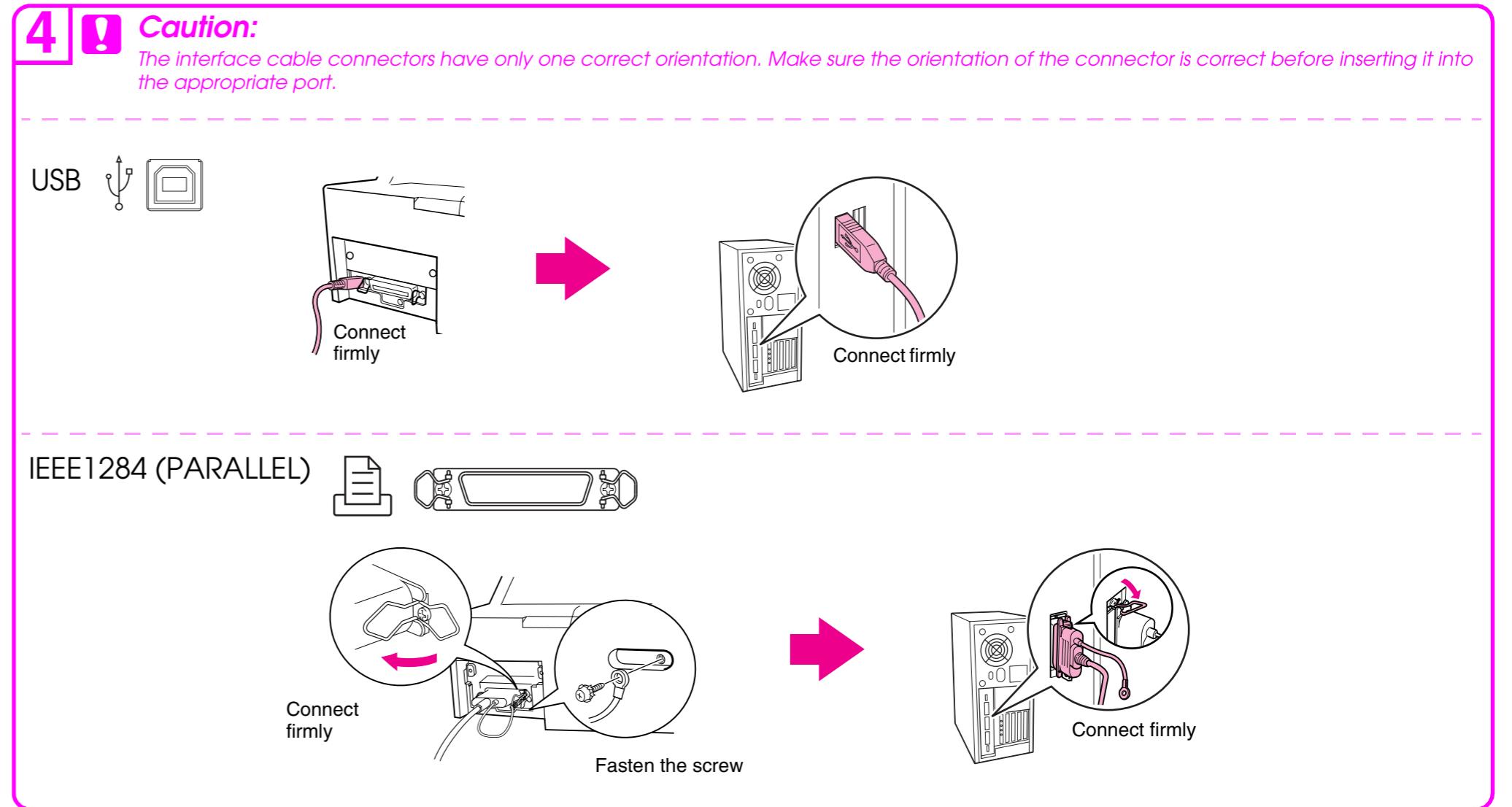


Continued

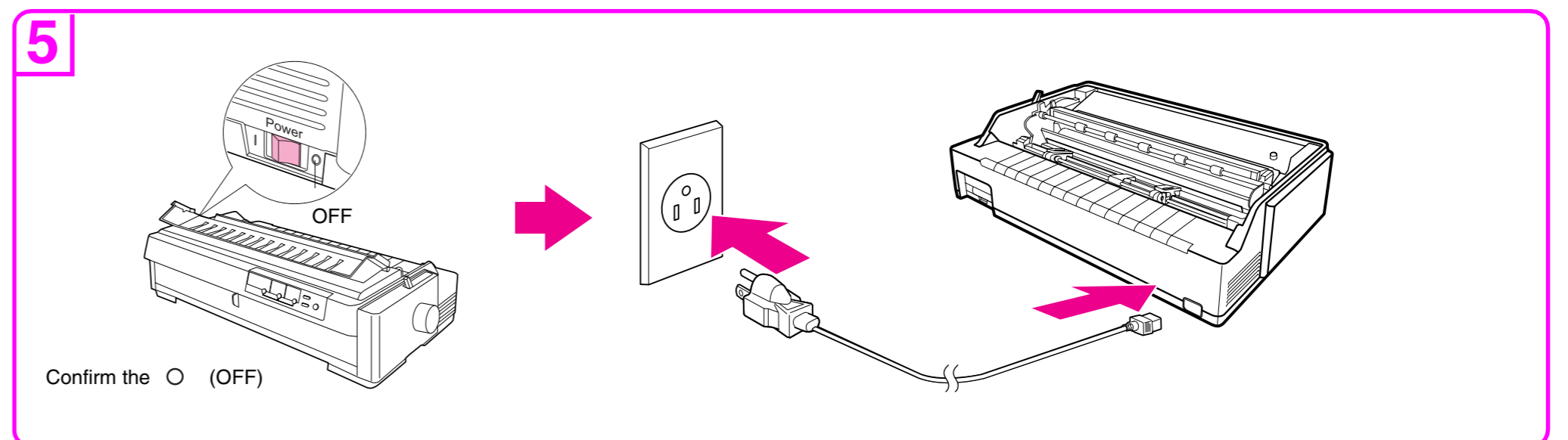
### Assembling the Printer



### Connecting the Printer to Your Computer



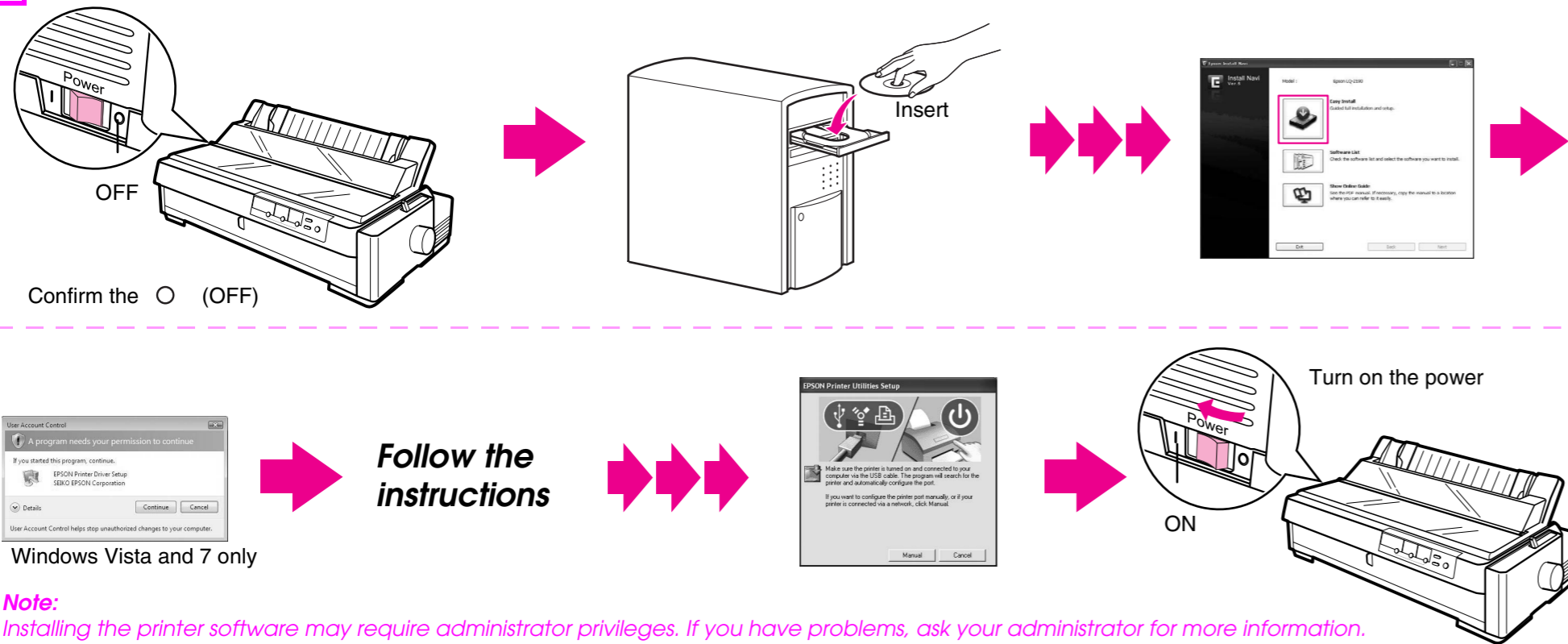
### Connecting the Power Cord



Continued on back

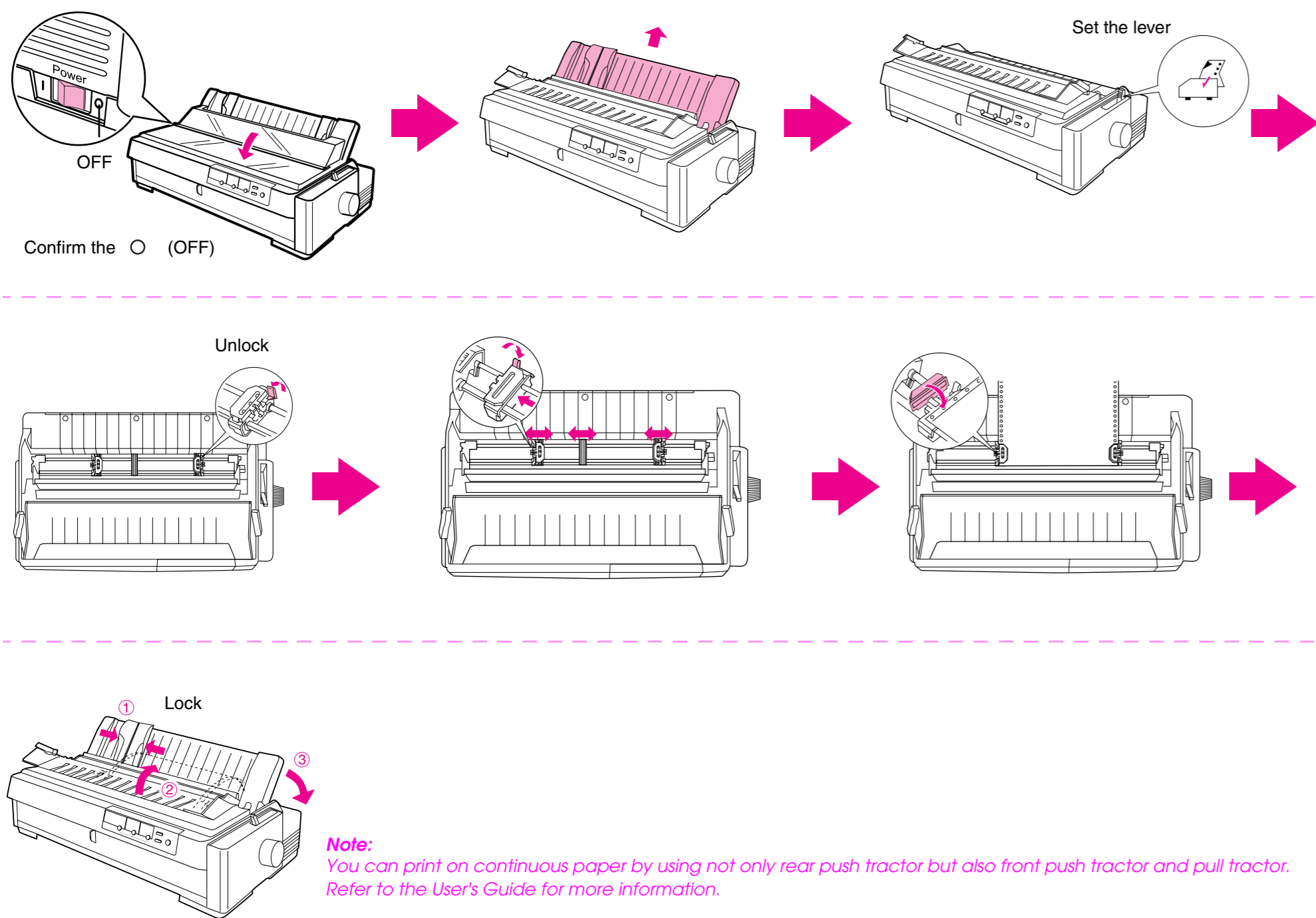
# Installing the Printer Software

## 6 Windows®



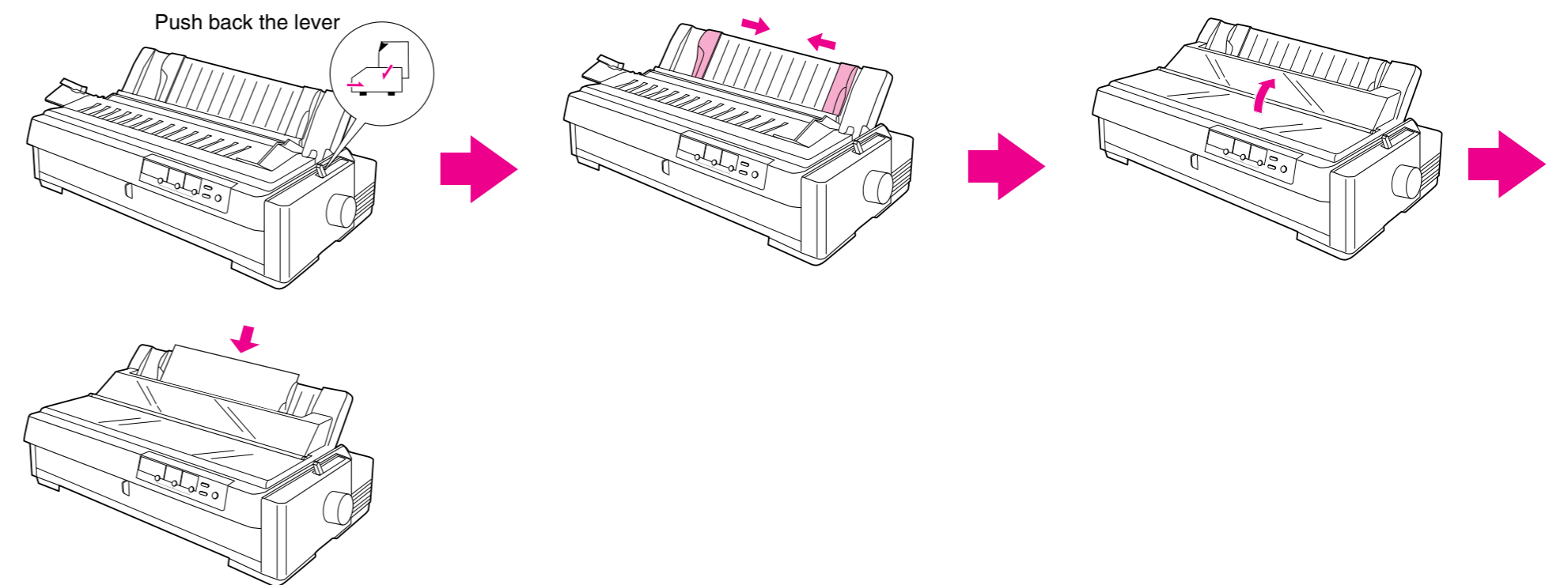
# Loading Paper

## 7 Printing continuous paper with the rear push tractor

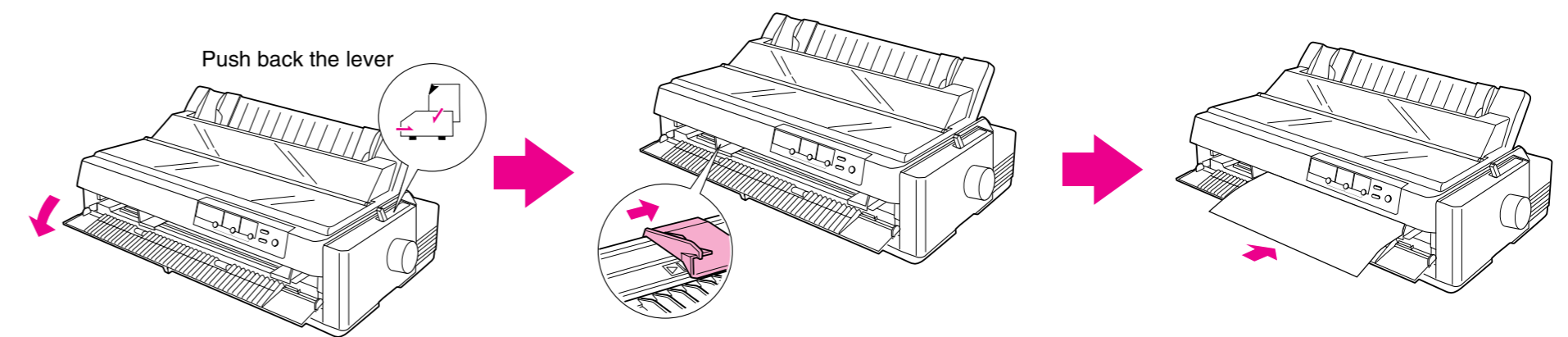


## Printing on single sheets

### Using the top paper slot

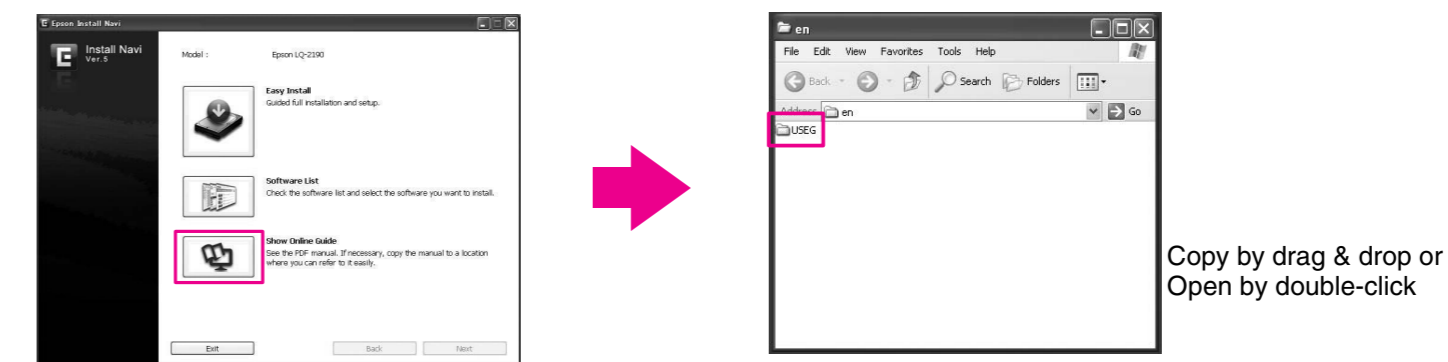


### Using the front paper slot



## 8 Now setup is finished and the printer is ready.

For detailed information about the printer and troubleshooting, refer to the User's Guide.



If you cannot find the information you require in the User's Guide, visit our Web site:  
<http://www.epson.com>

No part of this publication may be reproduced, stored in a retrieval system, or transmitted in any form or by any means, electronic, mechanical, photocopying, recording, or otherwise, without the prior written permission of Seiko Epson Corporation. No patent liability is assumed with respect to use of the information contained herein. Neither is any liability assumed for damages resulting from the use of the information contained herein.

Neither Seiko Epson Corporation nor its affiliates shall be liable to the purchaser of this product or third parties for damages, losses, costs, or expenses incurred by the purchaser or third parties as a result of: accident, misuse, or abuse of this product or unauthorized modifications, repairs, or alterations to this product, or (excluding the U.S.) failure to strictly comply with Seiko Epson Corporation's operating and maintenance instructions.

Seiko Epson Corporation and its affiliates shall not be liable against any damages or problems arising from the use of any options or any consumable products other than those designated as Original Epson Products or Epson Approved Products by Seiko Epson Corporation. EPSON is a registered trademark of Seiko Epson Corporation.

Microsoft, Windows, Windows Vista, and Windows 7 are registered trademarks or a trademark of Microsoft Corporation in the United States and/or other countries.

**General Notice:** Other product names used herein are for identification purposes only and may be trademarks of their respective owners. Epson disclaims any and all rights in those marks.

Copyright © 2009 Seiko Epson Corporation. All rights reserved.  
Printed in XXXXXX.

Continued