

FX-890/FX-2190 Start Here



412427900

EPSON
EXCEED YOUR VISION

Unpacking

1

It may come attached to the printer in some countries.

Start Here

It may come attached to the printer in some countries. The shape of the plug may vary by location.

Assembling the Printer

2

Confirm the \circ (OFF)
OFF

Remove the printer cover

Remove the paper tension unit

Slide the print head to the middle of the printer by hand

Pull the ribbon guide until it is out of the cartridge

Tense

Slide the ribbon guide into the print head until it clicks in place

Continued

Caution:

- The ribbon should not be twisted or creased.
- When inserting the ribbon guide, press firmly until it clicks.

Reinstall the paper tension unit

Replace the printer cover and lowering the cover into place

Attach the paper guide

Connecting the Printer to Your Computer

3

Caution:

- The interface cable connectors have only one correct orientation. Make sure the orientation of the connector is correct before inserting it into the appropriate port.
- Do not connect or disconnect the printer while it is turning on.

USB

Connect firmly

Connect firmly

IEEE1284 (PARALLEL)

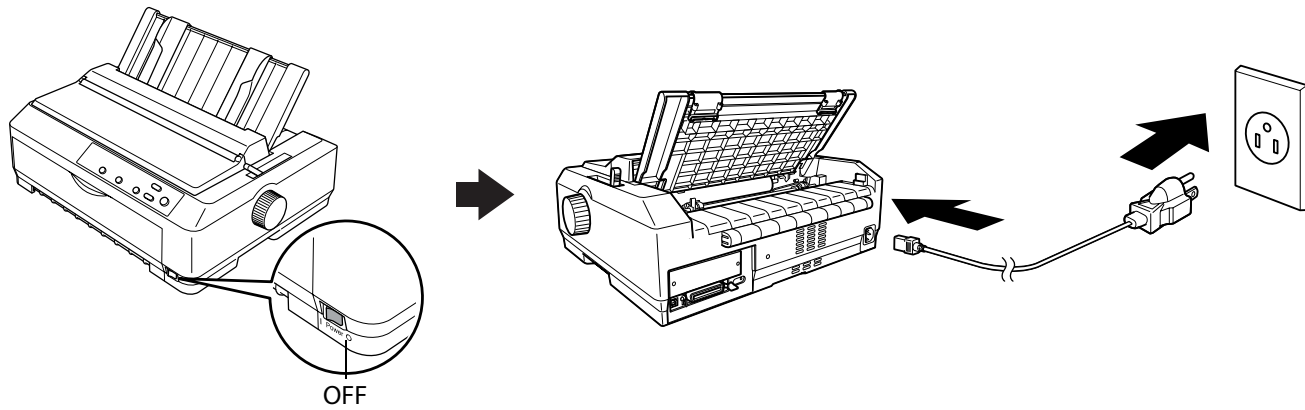
Connect firmly

Connect firmly and fasten

Continued on back

Connecting the Power Cord

4



Installing the Printer Software

5 **Note:**
Installing the printer software may require administrator privileges. If you have problems, ask your administrator for more information.

For Windows 8 users

You can download the printer software and the utility software (EPSON Status Minitor3) from the Epson web site. Download the software to any directory on your computer, and start installing it.

<http://www.epson.com>

For Windows 7 users

The printer driver in the printer software CD-ROM included with this printer is not compatible with Windows 7. Use the driver included in Windows 7. Perform the following operations to install the driver included in Windows 7.

To install the driver (use the driver included with the operating system)

1. Make sure both the printer and your computer are turned off, then connect the printer and computer.
2. Turn on the printer.
3. Turn your computer on and start Windows 7.
4. The printer is detected and the driver included in Windows 7 is installed automatically.

Note:

EPSON Status Monitor 2 and EPSON Status Monitor 3 do not support Windows 7. Download the EPSON Status Monitor for the driver included in Windows 7 at the our Web site:

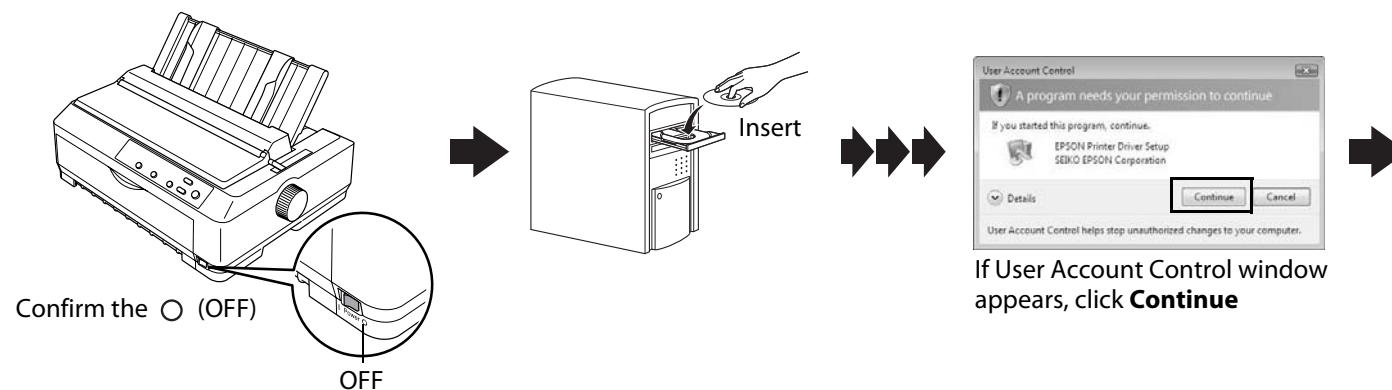
<http://www.epson.com>

For Indian users (Windows Vista/XP/2000/Me/98/95/NT 4.0)

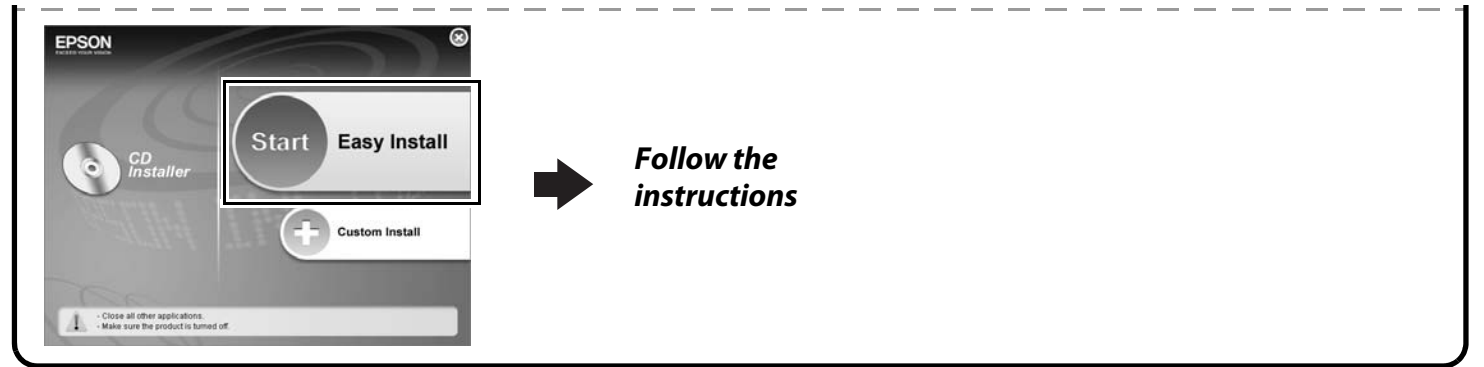
You can download the printer software and the utility software (EPSON Status Minitor3) from the Epson web site. Download the software to any directory on your computer, and start installing it.

<http://www.epson.com>

For Windows Vista/XP/2000/Me/98/95/NT 4.0 users (except Indian users)



Continued



Getting More Informations

6 Now setup is finished and the printer is ready.

For detailed information about the printer and troubleshooting, refer to the Reference Guide.

A Reference Guide icon is created on the desktop when the printer software is installed. To view the guide, double-click the **FX-890_2190 Reference Guide** icon on the desktop.

You can also access the Reference Guide via the Start menu. Click **Start**, point to **All programs** in Windows Vista and XP or **Programs** in Windows 2000, Me, 98, 95, or Windows NT 4.0, point to **EPSON**, then select **FX-890_2190 Reference Guide**.

For Indian users

The User's Guide provides detailed information on the printer's functions, optional products, printer software, troubleshooting, and technical specifications.

You can see the User's Guide from the Epson web site.

<http://www.epson.com>

If you cannot find the information you require in the Reference Guide, visit our Web site:

<http://www.epson.com>

No part of this publication may be reproduced, stored in a retrieval system, or transmitted in any form or by any means, electronic, mechanical, photocopying, recording, or otherwise, without the prior written permission of Seiko Epson Corporation. No patent liability is assumed with respect to use of the information contained herein.

Neither is any liability assumed for damages resulting from the use of the information contained herein. Neither Seiko Epson Corporation nor its affiliates shall be liable to the purchaser of this product or third parties for damages, losses, costs, or expenses incurred by the purchaser or third parties as a result of: accident, misuse, or abuse of this product or unauthorized modifications, repairs, or alterations to this product, or (excluding the U.S.) failure to strictly comply with Seiko Epson Corporation's operating and maintenance instructions.

Seiko Epson Corporation and its affiliates shall not be liable against any damages or problems arising from the use of any options or any consumable products other than those designated as Original Epson Products or Epson Approved Products by Seiko Epson Corporation.

EPSON and EXCEED YOUR VISION are registered trademarks of Seiko Epson Corporation.

Microsoft®, Windows®, Windows NT®, and Windows Vista® are registered trademarks of Microsoft Corporation in the United States and/or other countries.

General Notice: Other product names used herein are for identification purposes only and may be trademarks of their respective owners.

Epson disclaims any and all rights in those marks.

The contents of this manual are subject to change without notice.

Copyright © 2012 Seiko Epson Corporation. All rights reserved.

Printed in XXXXXX