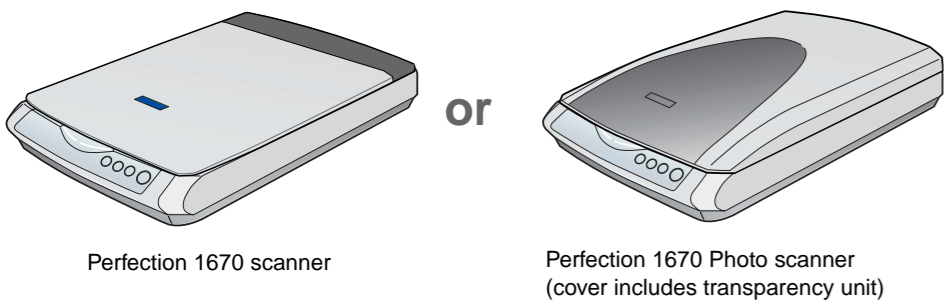


Start Here

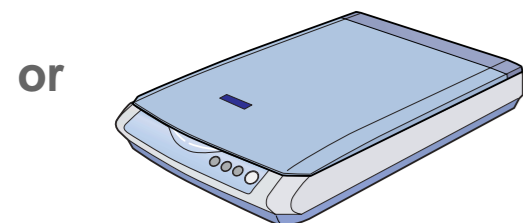
EPSON Perfection® 1670, 1670 Photo and 1270

1 Unpack Your Scanner

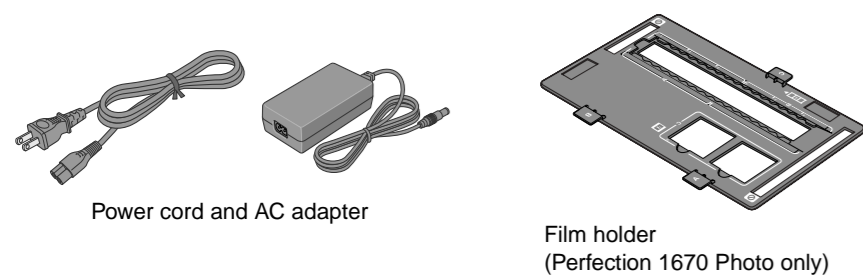
1 Make sure you have everything for your EPSON® scanner:



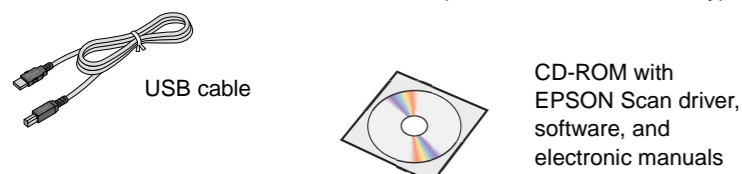
Perfection 1670 scanner or Perfection 1670 Photo scanner (cover includes transparency unit)



Perfection 1270 scanner



Power cord and AC adapter or Film holder (Perfection 1670 Photo only)

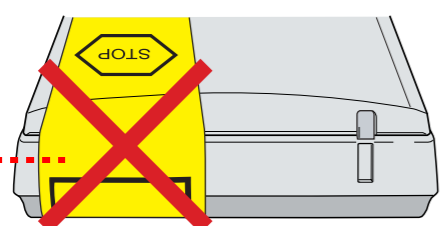


USB cable or CD-ROM with EPSON Scan driver, software, and electronic manuals

Note:

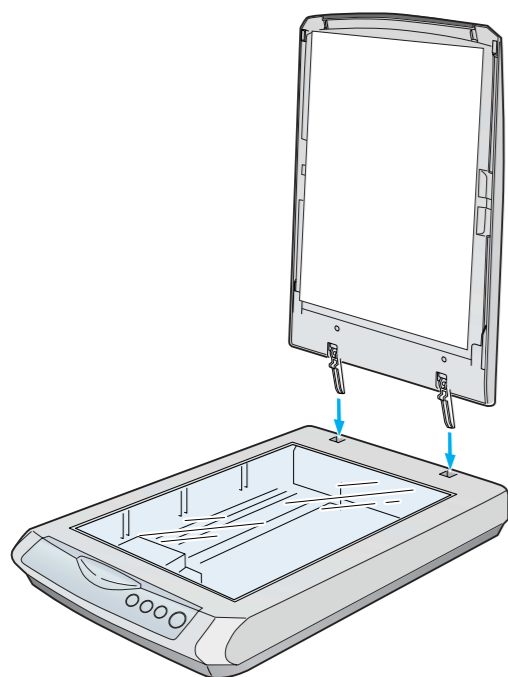
- The contents may vary in certain locations.
- The setup illustrations show the Perfection 1670 Photo, but the instructions are the same for the Perfection 1670 and Perfection 1270, unless noted otherwise.

2 Remove all the packing tape, but leave the large sticker in place until instructed to remove it.



IMPORTANT! Leave the sticker in place until you are instructed to remove it

3 If you need to insert or remove the cover, insert the hinges on the cover into the square holes at the back of the scanner. (Make sure the cable on the Perfection 1670 Photo does not get caught under the scanner cover.) Close the cover.



2 Install the Software

Wait! You must install your software before connecting the scanner to your computer. The installation process may take several minutes.

Be sure to close all open programs and turn off any virus protection programs.

Note: The Perfection 1270 does not support Macintosh®.

1 Insert the scanner software CD-ROM in the CD-ROM or DVD drive. The installer starts automatically.

If it doesn't start, do the following:

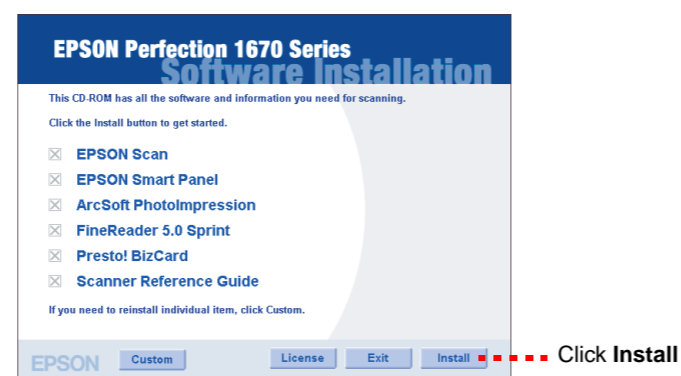
- Windows XP: Click **Start**, double-click **My Computer**, then double-click **EPSON**.
- Windows 98, Me, and 2000: Double-click **My Computer**, then double-click **EPSON**.
- Macintosh: Double-click the **EPSON CD-ROM** icon.

2 If you're using Mac OS 8.6 to 9.x, double-click the **EPSON** icon in the EPSON folder.

If you're using Mac OS X, double-click the **Mac OS X** folder in the EPSON folder, then double-click the **EPSON** icon. Enter your Administrator name and password and click **OK**.

3 Read the license agreement, then click **Agree**.

4 At the Software Installation screen, click **Install**.



5 Follow the on-screen instructions to install each program. Click **Next** or **Finish** (Windows) or **Quit** (Macintosh) to continue, as needed. Note that EPSON Smart Panel™ installs in several steps.

6 At the end of the installation, click **Exit**.

7 If you see a Product Registration screen, register your scanner as instructed. At the last screen, click **Done** or close your browser.

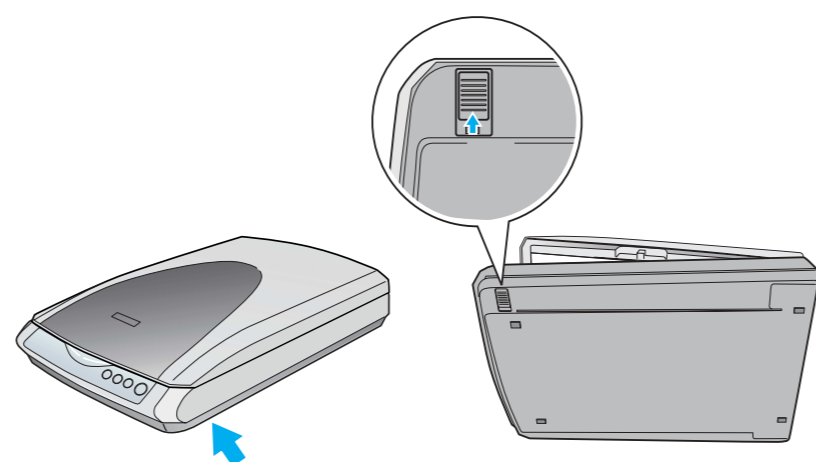
Continue with section 3, "Connect the Scanner."

3 Connect the Scanner

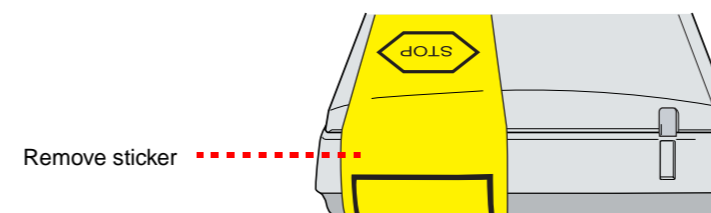
After your software is installed, it's time to get connected.

1 Remove the sticker covering the transportation lock and locate the transportation lock on the bottom of the scanner. Then slide the lock to the unlock position, as shown below.

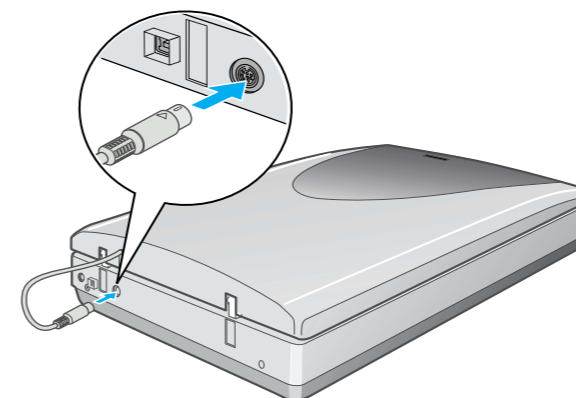
Caution: Do not turn the scanner over; this may damage the scanner.



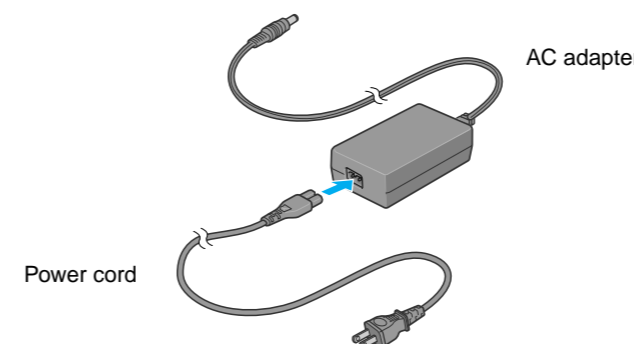
2 Remove the sticker from the back of the scanner.



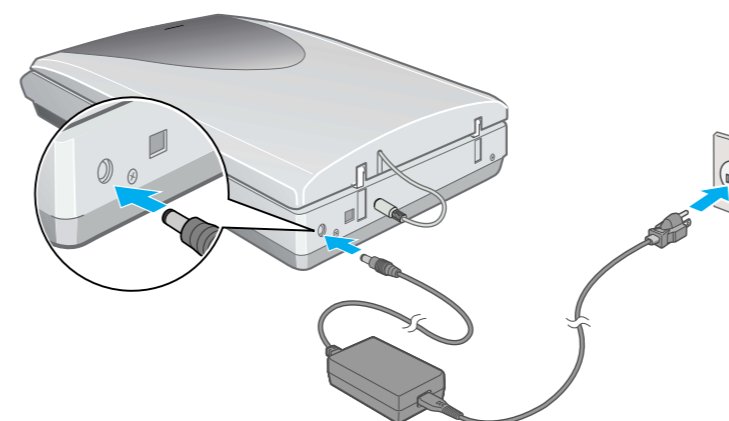
3 On the Perfection 1670 Photo, connect the cable for the built-in transparency unit.



4 Connect the power cord and AC adapter, as shown.



5 Connect the AC adapter to the scanner.



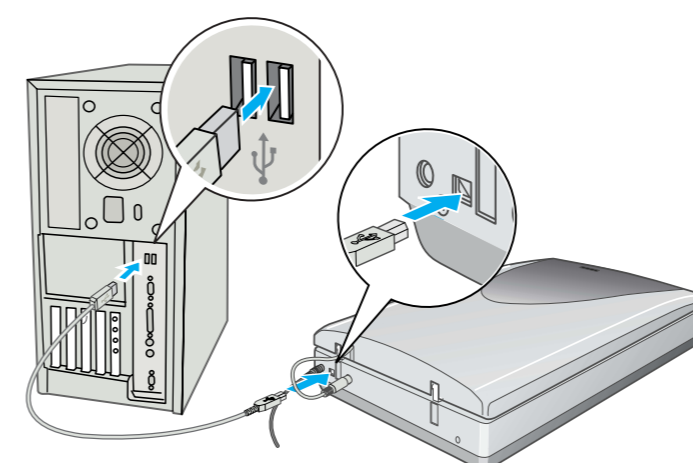
6 Plug the other end of the power cord into a grounded electrical outlet.

Caution:

- It is not possible to change the AC adapter's input or output voltage. If the label on the AC adapter does not show the correct voltage, contact your dealer. Do not plug in the power cord.
- Whenever you unplug the scanner, wait at least 10 seconds before plugging it back in. Rapidly plugging and unplugging the scanner can damage it.

The scanner turns on and the Start button light flashes green. It stops flashing and turns green when the scanner is ready.

7 Use the USB cable that came with your scanner. Plug the square end of the USB cable into the scanner's USB port. Then plug the flat end into any available USB port on your computer.



Note: Your scanner may not work correctly if you use a USB cable other than the one supplied by EPSON or if you connect your scanner to a hub system.

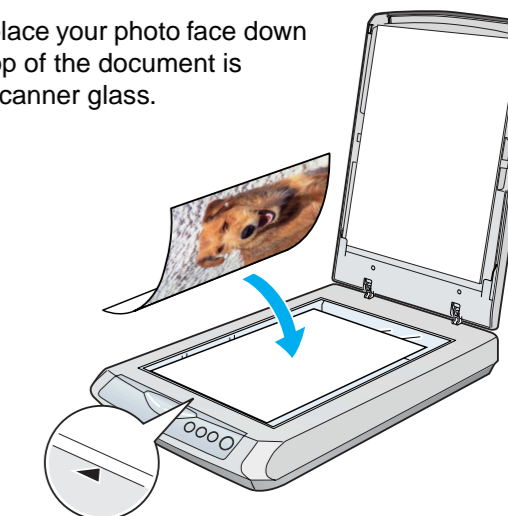
Scanner Basics

Your First Scan

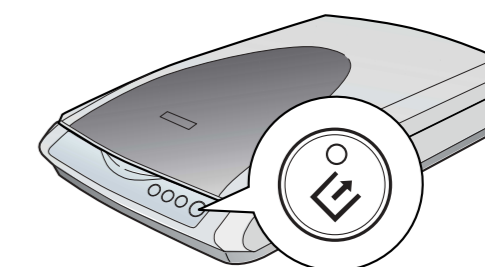
The Start button on your scanner automatically opens Smart Panel, making it easy for you to scan your images for many different uses. Here's how you can use the Start button and Smart Panel to scan photos and save them as files.

1 Raise the scanner cover and place your photo face down on the glass. Make sure the top of the document is against the front edge of the scanner glass.

Then close the cover.



2 Press the Start button on your scanner.



Note: In Windows XP, you may see a message the first time you press the Start button. Select **Smart Panel for Scanner**, click **Always use this program for this action**, then click **OK**.

EPSON Smart Panel opens on your computer.



3 Click the **Scan and Save** icon.

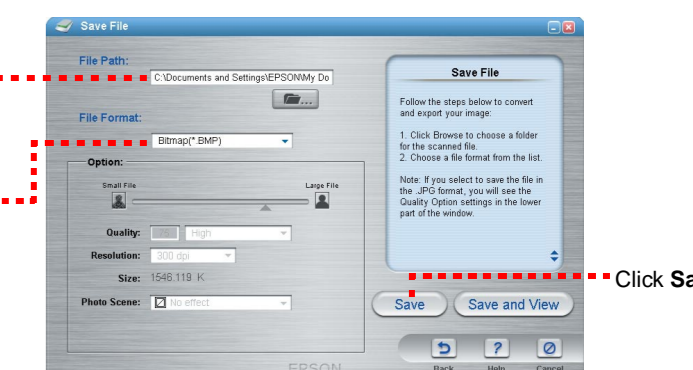
A progress meter appears on the screen and your document is automatically scanned.

4 After your document is scanned, the Verify Assistant dialog box opens. Click **Next** to continue.

5 You see the following screen. Select a location and file type for your scanned image, then click **Save**.

Specify the path to the folder where you want to save your scanned image

Select a file format

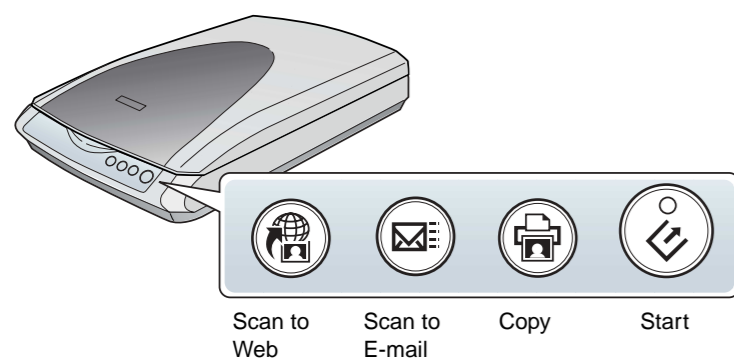


Turn over ----->

Using the Scanner Buttons

The scanner buttons make scanning easy. Just place your document face down on the scanner and press the button for the type of scan you want. Smart Panel automatically opens and scans your documents. Then follow the easy on-screen instructions to finish your task.

Note: If you are using OS X, make sure Smart Panel is installed in an OS X environment, not Classic mode. Otherwise, Classic mode may start when you press a scanner button.



Scan to Web: Scan your photos to a free photo-sharing website

- 1 If you use AOL® for the Internet, log on first.
- 2 Press the button on the scanner.
- 3 Follow the on-screen instructions.

Scan to E-mail: Attach your photo to an e-mail

- 1 Press the button on the scanner. You see your photo on the screen.
- 2 Click **Finish**.
- 3 Select your e-mail program and click **Launch** (AOL is not supported).
- 4 Enter the address where you want to send the photo, type in a message, and click **Send**.

Copy: Scan and automatically print a document—just like a photocopier

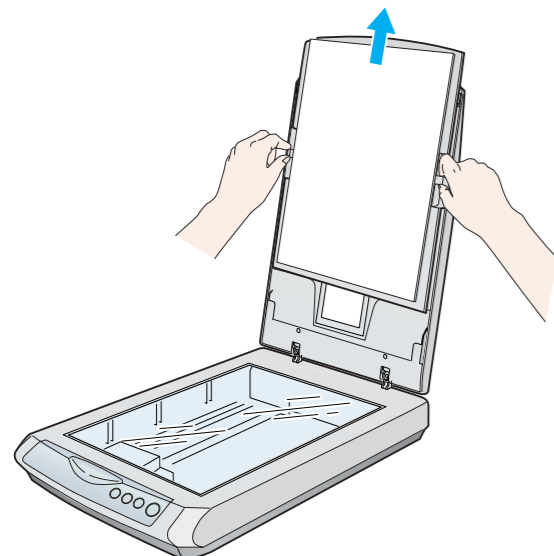
- 1 Make sure your printer is turned on.
- 2 Press the button on the scanner.

Start: Automatically scan your file and open Smart Panel or a Smart Panel Application

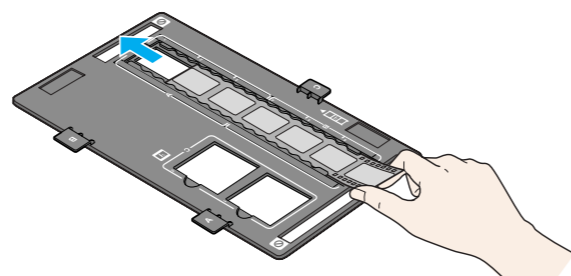
Placing Film on the Scanner

The Perfection 1670 Photo scanner cover has a built-in transparency unit (TPU). To scan film strips or slides, you'll need to remove the reflective document mat from the cover and place the film in a holder on the scanner glass.

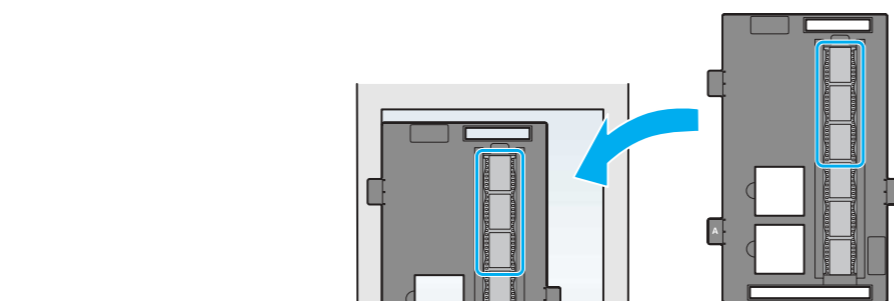
- 1 Make sure the transparency unit cable is connected to the option connector (see step 3 in "Connect the Scanner").
- 2 Lift the scanner cover all the way up and slide the reflective document mat up and off of the scanner cover.



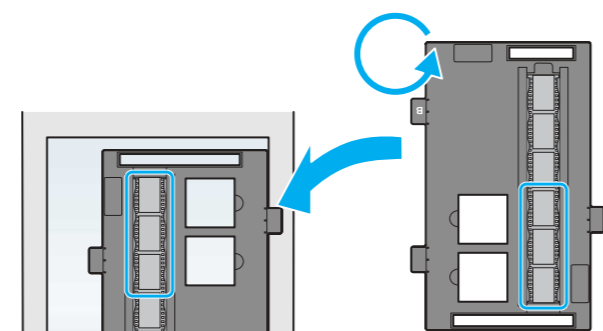
- 3 Slide the film into the film holder, with the film's shiny base side facing down.



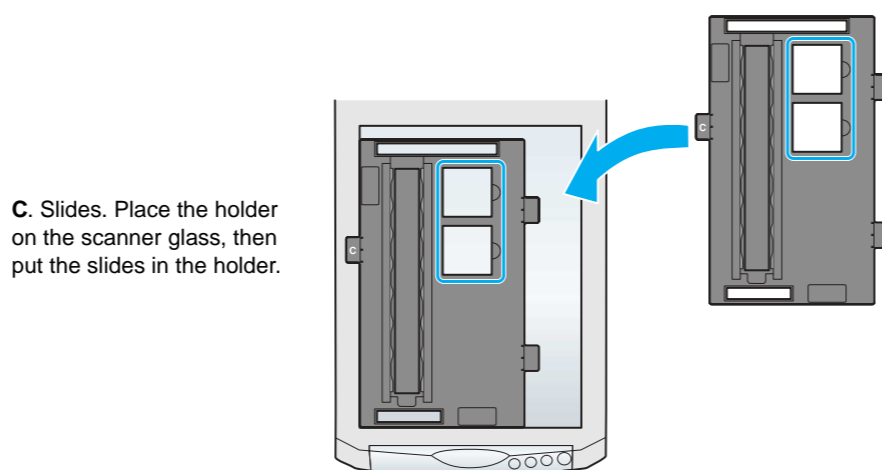
- 4 Place the film holder in the correct position for your film type. Be sure to match the letter on the film holder tab with the corresponding letter on the scanner.



A. Film (the first 3 frames of the film strip).



B. Film (the last 3 frames of the film strip). Reverse the position of the film holder and place it against the right edge of the scanner.



C. Slides. Place the holder on the scanner glass, then put the slides in the holder.

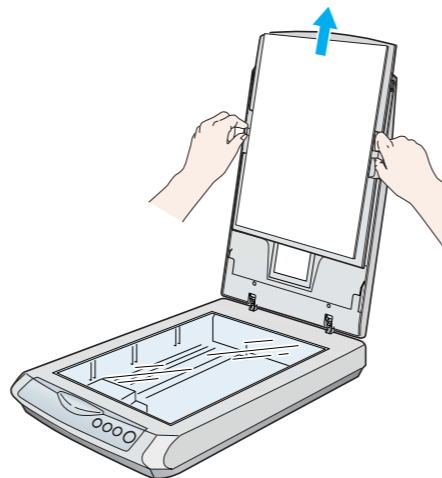
Note: Make sure the narrow calibration window at the top of the film holder is clean and uncovered to ensure an accurate scan.

- 5 Close the scanner cover.

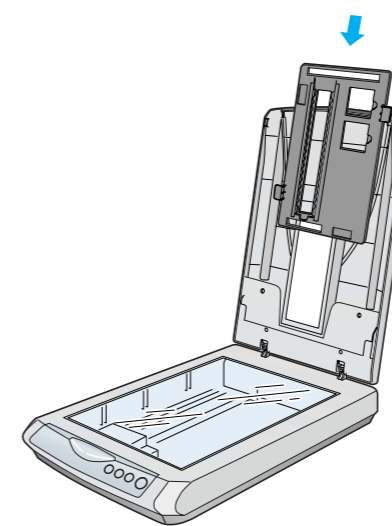
Storing the Film Holder

When you're finished scanning, you can store the film holder in the scanner cover.

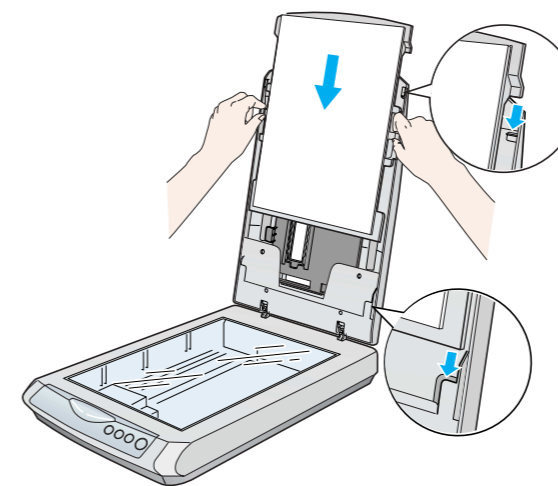
- 1 Lift the cover and remove the document mat.



- 2 Slide the film holder into the cover.



- 3 Replace the document mat.



Problems?

First, check the Start button light on the scanner.

	Flashing green	Warming up or scanning.
	Green	Ready to scan.
	Flashing red	Make sure the transportation lock is unlocked (see section 3). Try restarting your computer and unplugging the scanner. Wait 10 seconds, then plug the scanner back in. If the red light is still flashing, contact your dealer or EPSON.
	Off	Make sure your scanner is connected to your computer and plugged into a power source.

If your problem is listed here, try these suggestions.

The New Hardware Wizard appears on your screen. Click **Cancel** and follow the steps in "Install the Software" on the other side of this sheet. Disconnect the scanner before installing the software.

The scanner makes a grinding noise when it is plugged into a power source. Make sure the transportation lock is unlocked (see section 3).

You see an error message when you try to scan, or the scanner doesn't scan. Make sure your scanner is connected to your computer and plugged into a power source.
Uninstall and reinstall EPSON Scan.

Here's where to look for more answers:

- Double-click the *Perf1670_1270 Reference Guide* icon on your desktop. (If you didn't install it, insert the scanner software CD-ROM in the CD-ROM or DVD drive. At the Custom Installation screen, select **Scanner Reference Guide**, then click **Install**. You must have Microsoft® Internet Explorer or Netscape® Navigator (versions 5.0 or later) to read the Reference Guide.
- **On-screen Help for Smart Panel and EPSON Scan:** Click the Help button or question mark that appears on the screen when you're using these programs.

Safety Instructions

Read all these instructions and save them for later reference. Follow all warnings and instructions marked on the scanner.

Caution: Be sure the AC power cord meets the relevant local safety standards.

Place the scanner close enough to the computer for the interface cable to reach it easily. Do not place or store the scanner or the AC adapter outdoors, near excessive dirt or dust, water, heat sources, or in locations subject to shocks, vibrations, high temperature or humidity, direct sunlight, strong light sources, or rapid changes in temperature or humidity. Do not use with wet hands.

Place the scanner and the AC adapter near an electrical outlet where the power cord can be easily unplugged.

Power supply cords should be placed to avoid abrasions, cuts, fraying, crimping, and kinking. Do not place objects on top of power-supply cords and do not allow the AC adapter or power-supply cords to be stepped on or run over. Be particularly careful to keep all power-supply cords straight at the ends and the points where they enter and leave the AC adapter.

Use only the AC adapter model A241B/E or A181B that comes with your scanner. Using any other adapter could cause fire, electrical shock, or injury.

The AC adapter is designed for use with the scanner with which it was included. Do not attempt to use it with other electronic devices unless specified.

Use only the type of power source indicated on the AC adapter's label, and always supply power directly from a standard domestic electrical outlet with the AC power cord that meets the relevant local safety standards.

Avoid using outlets on the same circuit as photocopiers or air control systems that regularly switch on and off.

If you use an extension cord with the scanner, make sure the total ampere rating of the devices plugged into the extension cord does not exceed the cord's ampere rating. Also, make sure the total ampere rating of all devices plugged into the electrical outlet does not exceed the electrical outlet's ampere rating. Do not place multiple loads on the electrical outlet.

Never disassemble, modify, or attempt to repair the AC adapter, power cord, scanner, and option by yourself except as specifically explained in the scanner's guides.

Do not insert objects into any opening as they may touch dangerous voltage points or short out parts. Beware of electrical shock hazards.

Unplug the scanner and the AC adapter, and refer servicing to qualified service personnel under the following conditions:

The power cord or plug is damaged; liquid has entered the scanner or the AC adapter; the scanner or the AC adapter has been dropped or the case damaged; the scanner or the AC adapter does not operate normally or exhibits a distinct change in performance. (Do not adjust controls that are not covered by the operating instructions.)

Unplug the scanner and the AC adapter before cleaning. Clean with a damp cloth only. Do not use liquid or aerosol cleaners.

If you are not going to use the scanner for a long period, be sure to unplug the AC adapter from the electrical outlet.

For US and Canadian users: To reduce the risk of fire, use only the included power cord or a 6 to 10 foot long UL-approved type SPT-2 or heavier, 2 x 18 AWG cord with a 125 V 10 A plug and 125 V 7 A connector.

If your AC adapter is equipped with a polarized alternating-current line plug (a plug having one blade wider than the other) and a polarized power inlet, you must insert the plug into a power outlet in a specific way. This is a safety feature. If you are unable to insert the plug properly, try reversing the plug. If this fails again, contact an electrician to replace your outlet. Be sure to use only the polarized power cord that comes with the scanner.

For United Kingdom, Singapore, and Hong Kong users: Replace fuses only with fuses of the correct size and rating.

For United Kingdom users: The following safety information applies to the AC adapter.

Warning: Refer to the rating plate for the voltage and check that the appliance voltage corresponds to the supply voltage.

Important: The wires in the mains lead fitted to this appliance are coloured in accordance with following code: Blue - Neutral, Brown - Live

If you have to fit a plug:

As the colours of the mains lead of the appliance may not match the coloured markings used to identify the terminals in a plug, please observe the following:

The blue wire must be connected to the terminal in the plug marked with the letter N.

The brown wire must be connected to the terminal in the plug marked with the letter L.

If damage occurs to the plug, replace the cord set or consult a qualified electrician.

All rights reserved. No part of this publication may be reproduced, stored in a retrieval system, or transmitted in any form or by any means, electronic, mechanical, photocopying, recording, or otherwise, without the prior written permission of Seiko Epson Corporation. The information contained herein is designed only for use with this EPSON scanner. EPSON is not responsible for any use of this information as applied to other scanners. Neither Seiko Epson Corporation nor its affiliates shall be liable to the purchaser of this product or third parties for damages, losses, costs, or expenses incurred by the purchaser or third parties as a result of accident, misuse, or abuse of this product or unauthorized modifications, repairs, or alterations to this product, or (excluding the U.S.) failure to strictly comply with Seiko Epson Corporation's operating and maintenance instructions.

Seiko Epson Corporation shall not be liable for any damages or problems arising from the use of any options or any consumable products other than those designated as Original EPSON Products or EPSON Approved Products by Seiko Epson Corporation. Seiko Epson Corporation shall not be held liable for any damage resulting from electromagnetic interference that occurs from the use of any interface cables other than those designated as EPSON Approved Products by Seiko Epson Corporation. EPSON is a registered trademark of Seiko Epson Corporation. Microsoft and Windows are registered trademarks of Microsoft Corporation. Macintosh is a registered trademark of Apple Computer, Inc.

General Notice: Other product names used herein are for identification purposes only and may be trademarks of their respective owners. EPSON disclaims any and all rights in those marks.

Copyright © 2003 by Seiko Epson Corporation