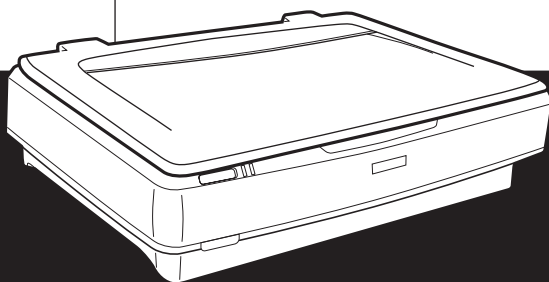


# EPSON

Color Image Scanner



**EPSON GT-15000**

## *Setup Guide*

4042665-00  
XXX

# Where to Find Information

## ***Setup Guide (this document)***

Describes how to set up the scanner, install the scanner software, and use the scanner to perform basic scanning. It also covers how to install options.

## ***Online Reference Guide***



The CD-ROM shipped with your scanner includes the following guide as well as the scanner driver, Adobe Acrobat Reader, ScanSoft Paper Port, and ABBYY FineReader.

Provides basic information about scanning. It also includes information on settings and functions of the scanner software (EPSON Scan) and other EPSON scanner utility software. Information is also available on maintenance, troubleshooting, technical specifications, and customer support.

## ***Information on EPSON Scanner Software (online help)***

Provides you with detailed information on EPSON Scan. To access the online help, click the Help button in the EPSON Scan window.

## ***Information on other Software***

Refer to the respective documentation for the information.

# EPSON® GT-15000

Color Image Scanner

# Setup Guide

- 1 Safety Instructions . . . . . 1*
- 2 Getting to Know Your Scanner . . . . . 4*
- 3 Installing the Software . . . . . 6*
- 4 Setting up the Scanner . . . . . 8*
- 5 Using Your Scanner . . . . . 19*
- 6 Options . . . . . 24*
- 7 To Know More about Your Scanner . . . . 33*

All rights reserved. No part of this publication may be reproduced, stored in a retrieval system, or transmitted in any form or by any means, electronic, mechanical, photocopying, recording, or otherwise, without the prior written permission of SEIKO EPSON CORPORATION. No patent liability is assumed with respect to the use of the information contained herein. Neither is any liability assumed for damages resulting from the use of the information contained herein.

Neither SEIKO EPSON CORPORATION nor its affiliates shall be liable to the purchaser of this product or third parties for damages, losses, costs, or expenses incurred by purchaser or third parties as a result of: accident, misuse, or abuse of this product or unauthorized modifications, repairs, or alterations to this product.

SEIKO EPSON CORPORATION and its affiliates shall not be liable against any damages or problems arising from the use of any options or any consumable products other than those designated as Original EPSON Products or EPSON Approved Products by SEIKO EPSON CORPORATION.

EPSON Scan is based in part on the work of the Independent JPEG Group.

EPSON is a registered trademark of SEIKO EPSON CORPORATION.

Microsoft and Windows are registered trademarks of Microsoft Corporation in the United States of America and other countries.

Adobe, Acrobat Reader, and Photoshop are registered trademarks of Adobe Systems Incorporated.

ScanSoft is a registered trademark of ScanSoft Inc.

ABBYY and FineReader are registered trademarks of ABBYY Software House.

*General Notice: Other product names used herein are for identification purposes only and may be trademarks of their respective companies.*

Copyright © 2003 by SEIKO EPSON CORPORATION, Nagano, Japan.

## **Warnings, Cautions, and Notes**

*Warnings must be followed carefully to avoid bodily injury.*

*Cautions must be observed to avoid damage to your equipment.*

*Notes contain important information and useful tips on the operation of your scanner.*

# 1 *Safety Instructions*

---

## *Important Safety Instructions*

Read all these instructions and save them for later reference.  
Follow all warnings and instructions marked on the scanner.

- ❑ Unplug the scanner before cleaning. Clean with a damp cloth only. Do not spill liquid on the scanner.
- ❑ Do not place the scanner on an unstable surface, or near a radiator or heat source.
- ❑ Use only the power cord that comes with this product. Use of another cord may result in fire or electric shock.
- ❑ This product's power cord is for use with this product only. Use with other equipment may result in fire or electric shock.
- ❑ Use only the type of power source indicated on the scanner's label and always supply power directly from a standard domestic electric outlet with the AC power cord that meets the relevant local safety standards.
- ❑ Connect all equipment to properly grounded power outlets. Avoid using outlets on the same circuit as photocopiers or air control systems that regularly switch on and off.
- ❑ Do not allow the power cord become damaged or frayed.
- ❑ If you use an extension cord with the scanner, make sure the total ampere rating of the devices plugged into the extension cord does not exceed the cord's ampere rating. Also, make sure the total ampere rating of all devices plugged into the wall outlet does not exceed the wall outlet's ampere rating.

- ❑ Except as specifically explained in this *Setup Guide* and the *Online Reference Guide*, do not attempt to service the scanner yourself.
- ❑ Unplug the scanner and refer servicing to qualified service personnel under the following conditions:
  - ❑ If the power cord or plug is damaged.
  - ❑ If liquid has entered the scanner.
  - ❑ If the scanner has been dropped or the case damaged.
  - ❑ If the scanner does not operate normally or exhibits a distinct change in performance. (Do not adjust controls that are not covered by the operating instructions.)
- ❑ **For United Kingdom, Hong Kong and Singapore uses:**  
Replace fuses only with fuses of the correct size and rating.
- ❑ If you plan to use the scanner in Germany, observe the following:

To provide adequate short-circuit protection and over-current protection for this scanner, the building installation must be protected by a 10 or 16 Amp circuit breaker.

***Note for German-speaking users:***

*Bei Anschluss des Scanners an die Stromversorgung muss sichergestellt werden, dass die Gebäudeinstallation mit einer 10A- oder 16 A-Sicherung abgesichert ist.*

---

## ***For United Kingdom Users***

### ***Safety information***

***Warning:***

*This appliance must be earthed. Refer to the rating plate for voltage and check that the appliance voltage corresponds to the supply voltage.*

***Important:***

*The wires in the mains lead fitted to this appliance are colored in accordance with the following code:*

*Green and yellow — Earth*

*Blue — Neutral*

*Brown — Live*

As the colors of the wires in the mains lead of this appliance may not correspond with the colored markings identifying the terminals in your plug, proceed as follows:

The green and yellow wire must be connected to the terminal in the plug which is marked with the letter E or with the earth symbol ( ).

The blue wire must be connected to the terminal in the plug marked with the letter N.

The brown wire must be connected to the terminal in the plug marked with the letter L.

If damage occurs to the plug, replace the cord set or consult a qualified electrician.

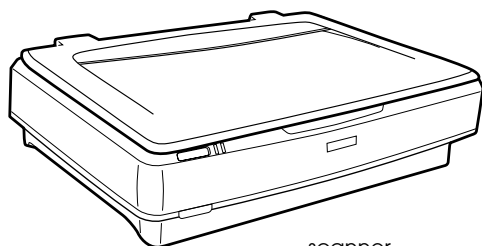
Replace fuses only with a fuse of the correct size and rating.

# 2 Getting to Know Your Scanner

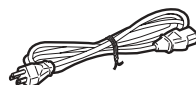
---

## Unpacking the Scanner

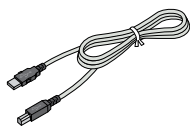
Your EPSON GT-15000 comes shipped with CD-ROMs which include the driver software that runs your scanner, and some additional items. The contents may vary in certain locations.



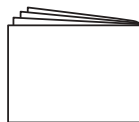
scanner



power cord



USB interface cable



Setup Guide



CD-ROMs

---

## Options

The following optional items are available to expand the versatility of your scanner. For detailed information on the use of these options, see “Options” on page 24.

**Note:**

*Some optional items are not available in some areas.*



**Automatic Document Feeder (B81321\*)**

The Automatic Document Feeder allows you to scan up to 100 single- or double-sided pages automatically. This option feeds a document from the top page down, which preserves the original page order.

Using this option with an optical character recognition (OCR) software, you can use the scanned text in word processing programs as if you had typed it yourself.

**IEEE 1394 Scanner I/F Card (B80834\*)**

Allows you to connect your computer or scanner to other devices which support the IEEE 1394 standard.

**EPSON Network Image Express Card (B80839\*)**

Enables an EPSON scanner supporting EPSON Scan and network connection to become shareable on a network. This allows you to perform various scanning operations in a network environment using less power and space. See the manual that comes with this product for more information.

**Note:**

*The asterisk is a substitute for the last digit of the product number, which varies by country.*

# 3 Installing the Software

---

## Installing the Software


The software CD contains the scanner software.

**You must install the software BEFORE connecting the scanner to your computer.**

**Note:**

*In Windows XP, 2000, and NT 4.0, only a user who has Administrator's right can install the software.*

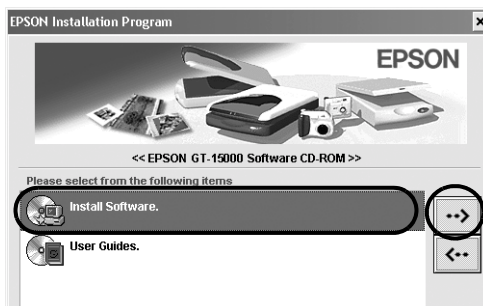
1. Insert the software CD into the CD-ROM drive.

The EPSON Installer Program dialog box appears. Select your preferred language and then click .

**Note:**

*If the EPSON Installation Program dialog box does not appear, click the CD-ROM icon, and then select Open from the File menu. Double-click SETUP.EXE.*

2. Select Install Software and then click .



3. Follow the on-screen instructions until all of the software is installed.

**Note for Windows XP and 2000 users:**

*If a dialog box appears during the installation, to indicate performing Windows test, click Continue Anyway (for Windows XP users) or Yes (for Windows 2000 users) to continue.*

4. When a message appears to indicate that installation is complete, click OK.
5. Restart your computer if a message appears instructing you to do so.

## **Installing application software**

The scanner comes with the following application software CD-ROMs. Read each of the online manuals included on the CD-ROMs.

Scanner Software CD

The following application software is included on this CD:

- ScanSoft<sup>®</sup> Paper Port DELUXE<sup>®</sup> 8.0 (for Windows only)
  - ABBYY FineReader<sup>®</sup> 5.0 Sprint Plus (for Windows only)
  - Adobe<sup>®</sup> Acrobat<sup>®</sup> Reader<sup>®</sup> (for Windows only)
- Adobe<sup>®</sup> Photoshop<sup>®</sup> Elements CD

**Note:**

*Depending on your location, some of the described software may not be included.*

To install Adobe Photoshop Elements, insert the Photoshop CD into the CD-ROM drive, and then follow the on-screen instructions.

**Note:**

*Adobe Photoshop Elements supports Windows XP, 2000, Me, 98, and 98 Second Edition.*

# 4 *Setting up the Scanner*

---

## ***Choosing a Place for the Scanner***

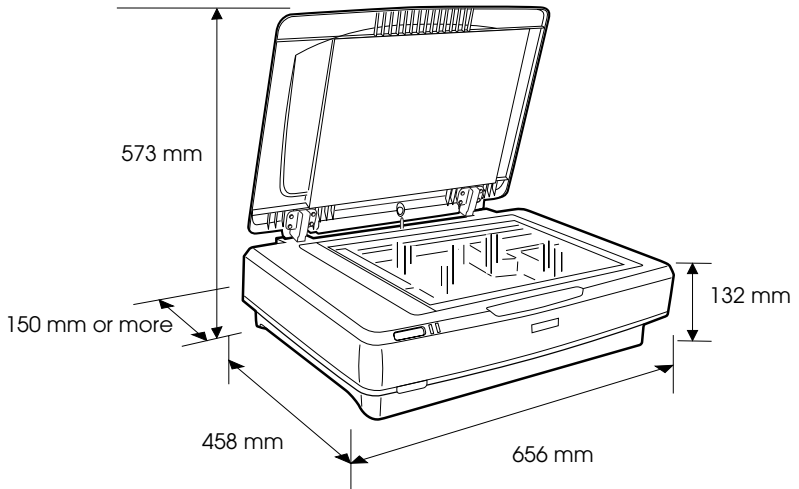
Follow the guidelines below when selecting a location for your scanner:

- ❑ Place the scanner on a flat, stable surface. The scanner will not operate properly if it is tilted at an angle.
- ❑ Place the scanner close enough to the computer for the interface cable to reach it easily.
- ❑ Place the scanner near a wall outlet where the power cord can be easily unplugged.

***Note for French-speaking users:***

*Placez le scanner près d'une prise de courant où la fiche peut-être débranchée facilement.*

- ❑ Allow space behind the scanner for the cables, and space above the scanner so that you can fully raise the document cover.

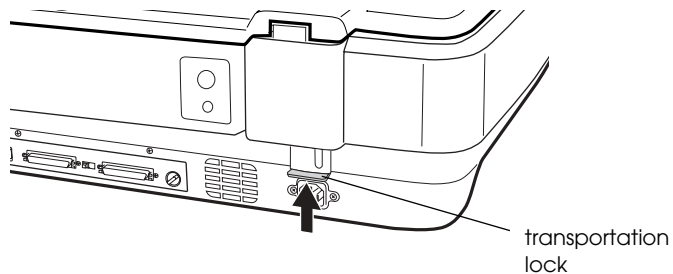


- ❑ Keep the scanner away from high temperatures, humidity and excessive dirt or dust. Also avoid using or storing the scanner in places subject to rapid changes of temperature and humidity.
- ❑ Keep the scanner away from direct sunlight and strong light sources.
- ❑ Avoid places subject to shocks and vibrations.

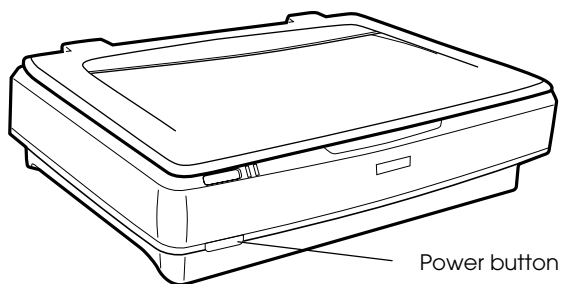
---

## Setting Up

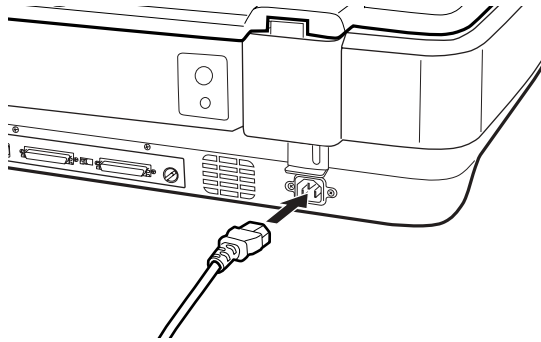
1. Pull up the transportation lock to the unlocked position.



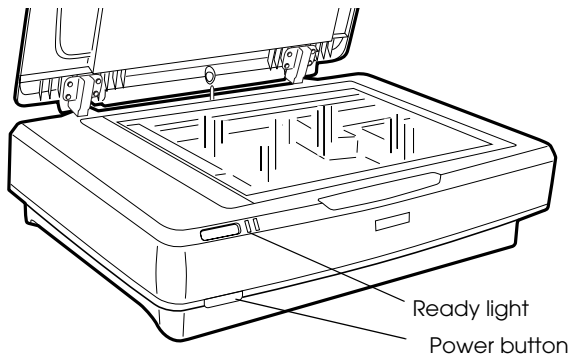
2. Make sure that the scanner is turned off. The scanner is off when the Power button is raised.



3. If the power cord is not attached to the scanner, connect it to the AC socket on the back of the scanner, and plug the other end into an electrical outlet.



4. Turn on the scanner by pressing the Power button.



The scanner turns on and starts initialization. The Ready light flashes in green until the scanner finishes initialization; it then stops flashing and stays green. This indicates that the scanner is ready for use.

**Caution:**

*Whenever you turn off the scanner, wait at least 10 seconds before turning it back on.*

---

## **Connecting the Scanner Using the SCSI Interface**

For instructions on connecting the scanner to your computer using the SCSI interface, read this section.

**Note:**

*Be sure to install the scanner software before connecting the scanner to your computer. See “Installing the Software” on page 6 for details.*

Unless your PC already has a SCSI board installed, you need to install one, along with SCSI driver software. Install the SCSI board according to the directions included with it.

If your PC has a SCSI board up and running, connect the scanner as described in the next section.

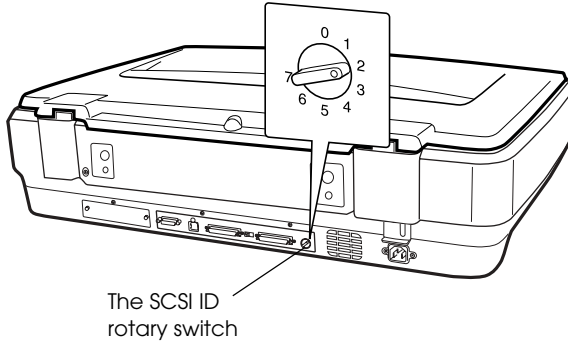
**Note:**

- ❑ *You will need to install the SCSI driver that is normally included with Windows (see your system documentation for instructions), or the driver described in the SCSI board installation documentation.*
  
- ❑ *To understand more about the SCSI interface and to know how to set up your SCSI devices, refer to the Online Reference Guide. See “Viewing the Online Guide” on page 33.*



## Setting the SCSI ID number

The scanner's default SCSI ID number is 2.



If you add the scanner to a system in which one of your SCSI devices already has a SCSI ID of 2, change the ID number to an unused number using the rotary switch. See the table below as a guide.

ID	Availability	Description
0, 1	Not recommended	Usually used for hard disk
2	Available	Factory setting of the scanner
3-6	Available	
7	May not be available	Usually used for the SCSI board

**Caution:**

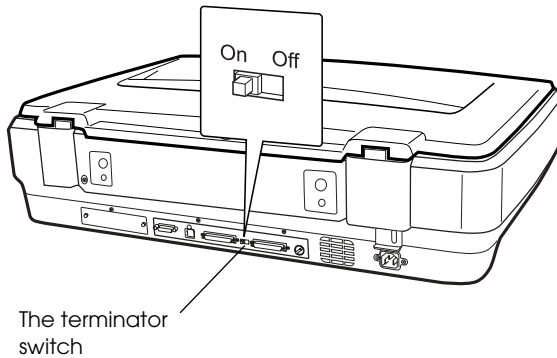
*Do not set the SCSI ID to an ID number that is already assigned to another device otherwise the computer, scanner, and other devices will not operate properly.*

## Setting the terminator switch

The scanner has a built-in terminator, which allows SCSI devices to communicate properly with each other. You may need to change the terminator switch setting according to your computer system.

**Note:**

*Do not use an external terminator.*



When you connect the scanner to the end of the daisy chain, turn the terminator switch to **On**; in other cases, turn the switch to **Off**.

## Connecting the scanner

Connect the scanner to your computer or to another SCSI device as follows:

**Note:**

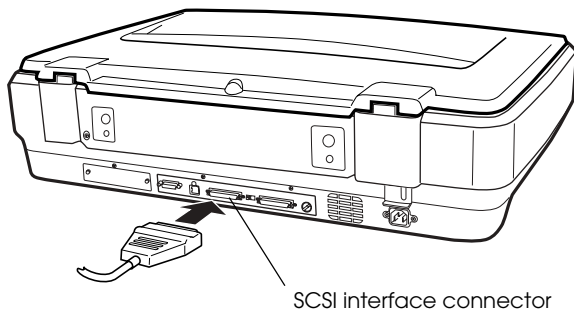
*The combination of connectors on the SCSI interface cable you need varies depending on the maker of your SCSI device and SCSI interface board.*

1. Make sure the scanner, computer, and all other SCSI devices are turned off and unplugged from the power source.

**Caution:**

*Do not connect the scanner to the computer or other devices while they are turned on as damage may occur.*

2. Connect one end of the interface cable to one of the scanner SCSI connectors until the locks on both sides snap in.



**Note:**

- ❑ *To connect the scanner to a PC or any other SCSI device, the total length of cable in the daisy chain must not exceed 3 meters; otherwise the system may not work properly.*
- ❑ *When using the SCSI interface, do not use other interfaces such as USB or IEEE at the same time.*

3. Connect the other end of the cable to the SCSI port of your computer or another SCSI device.
4. Plug in the power cords of your computer, scanner, and other external SCSI devices.

**Note:**

*After connecting your computer and scanner, when turning on your system at the first time, your scanner name is displayed as EPSON Scanner ES-7000H and as new hardware.*

**Note:**

*Before turning on your system, be sure to read "Power-on sequence" following.*

## **Power-on sequence**

Keep the following in mind every time you turn on your computer and SCSI devices, including the scanner.

Be sure to turn on the SCSI device which is connected at the farthest end of the daisy chain first, then the second farthest and so on, until finally your computer. If you attempt to use a SCSI device which has been turned on after the computer, it may not work properly, or the computer may not work properly.

## **Power-off sequence**

Keep the following in mind every time you turn off your computer and SCSI devices.

- When you are finished using your system, turn off your computer first, then the scanner and other SCSI devices.
- While using your computer, do not turn off any SCSI device which has a terminator that is active (On).
- Do not turn the scanner off and back on while using your computer, otherwise the scanner may not work properly.

---

## **Connecting the Scanner Using the USB Interface**

Your PC must have been purchased with Windows XP, 2000, Me, or 98 preinstalled, and have a working USB port.

**Note:**

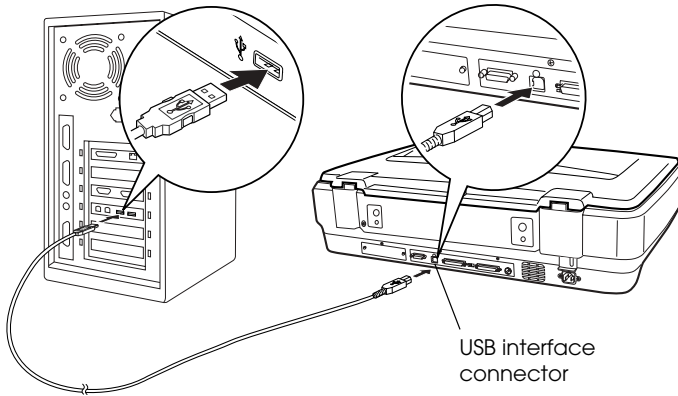
*Be sure to install the scanner software before connecting the scanner to your computer. See “Installing the Software” on page 6 for details.*

## **Understanding USB connections**

**Note:**

- Do not connect or disconnect USB cables when the scanner is in use.*
- You can also use a USB hub, allowing you to increase the number of USB ports and therefore connect several peripherals.*
- If you connect your scanner through more than one hub, your system may not work properly. In this case, try connecting the scanner directly to the computer’s USB port. Also, your system may not work properly if you use a USB cable other than that supplied by EPSON.*

Connect one end of the cable to the USB port on the back of the scanner, and the other end to a USB hub or the USB port on your computer.



**Note:**

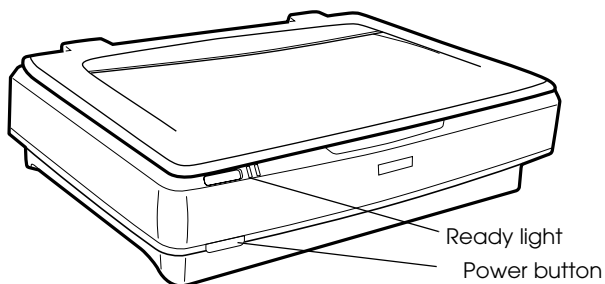
- ❑ *For USB 2.0 Hi-speed connection, connect the scanner directly to a USB 2.0 port in your PC using the USB Hi-speed cable. Make sure USB 2.0 Host Driver by Microsoft is installed on your computer.*
  
- ❑ *When using the USB interface, do not use other interfaces such as SCSI or IEEE at the same time.*

# 5 Using Your Scanner

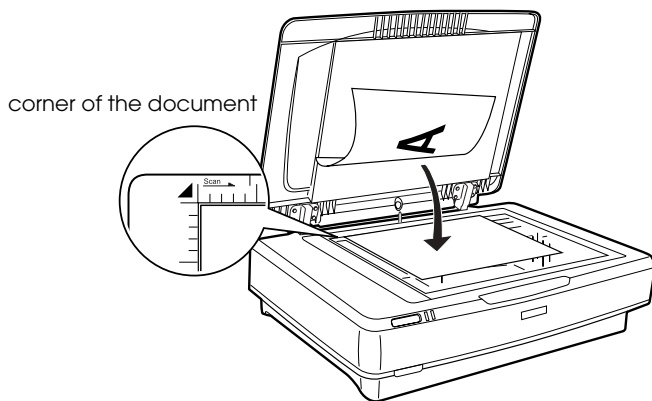
---

## Placing a Document on the Scanner

1. Make sure the scanner is turned on.



2. Open the document cover and place the document face down on the document table.



**Note:**

*An area  $1\pm 0.5$  mm from the horizontal and the vertical edges of the document table glass will not be scanned.*

3. Close the document cover.

**Note:**

❑ *When closing the document cover, the fluorescent lamp flashes to detect the size of the document. Looking directly at the lamp may mildly stun your eyes.*

❑ *Do not place heavy objects on top of the scanner.*

4. Start your scanner software, and follow scanning instructions described later in this chapter, your *Online Reference Guide*, or *Software online help*.

---

## **Scanning Your Document Using EPSON Scan**

EPSON Scan provides three modes for you to modify any scanning settings: Home Mode, Office Mode, and Professional Mode. This section describes how to scan an image in the Home Mode. The Home Mode lets you scan images using the basic settings. For more details, see your *Online Reference Guide and Software online help*.

**Note:**

*The first time you run EPSON Scan, prescanning starts automatically in the Home Mode.*

### **Starting the software and scanning an image**

You can start EPSON Scan in the following ways.

- ❑ Start EPSON Scan directly as a stand alone application
- ❑ Start EPSON Scan from a TWAIN-compliant application

This section provides you how to start EPSON Scan from Photoshop Elements only. For details on using the another method to start EPSON Scan, see your *Online Reference Guide*.



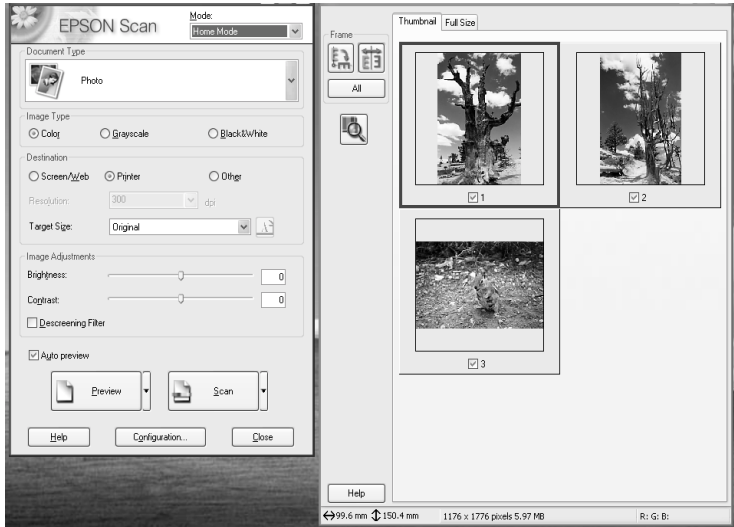
**Note:**

- ❑ *Adobe Photoshop Elements supports Windows XP, 2000, Me, 98, and 98 Second Edition.*
  - ❑ *You can scan images using any TWAIN-compliant application, such as Adobe Photoshop. If there is a scanner or a TWAIN-compliant device selection menu in the application, select EPSON GT-15000. Next, select the menu to import from a TWAIN-compliant device, which starts EPSON Scan. Depending on the application, selecting a TWAIN-compliant device menu alone may start EPSON Scan.*
1. Click Start, point to All Programs (for Windows XP users) or Programs (for Windows Me, 98, or 2000 users), and select and click Adobe Photoshop Elements.
  2. Select Import from the File menu, and then choose your scanner. EPSON Scan starts.

**Note for Windows XP users:**

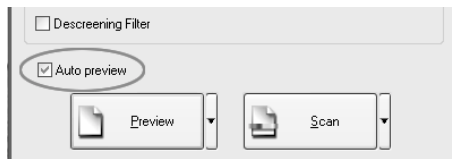
*Do not choose WIA-EPSON GT-15000 from the menu to select the scanner. If you select it, you cannot use the EPSON scanner function fully.*

EPSON Scan automatically previews the images, which appear in the Preview window.

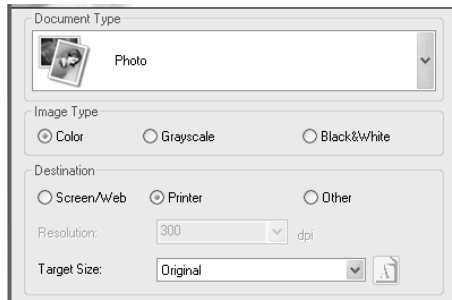


**Note:**

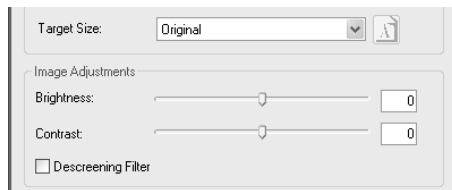
*If the Auto preview check box is selected, preview scanning automatically starts when you access the Home Mode. If this check box is cleared, previewed image does not appear automatically. Click Preview.*



3. Specify the Document Type, Image Type, and Destination settings to match your images. If necessary, preview the images again by clicking Preview.



4. Specify the output size of the scanned image as the Target Size and make adjustments using the image quality adjustment tools, if necessary.



5. Click Scan. EPSON Scan starts scanning.
6. The scanned image is sent to Adobe Photoshop Elements. Click Close to finish EPSON Scan, if necessary.
7. Select Save As from the File menu in Adobe Photoshop Elements.
8. Type a file name, select a file format, and then click Save.

# 6 Options

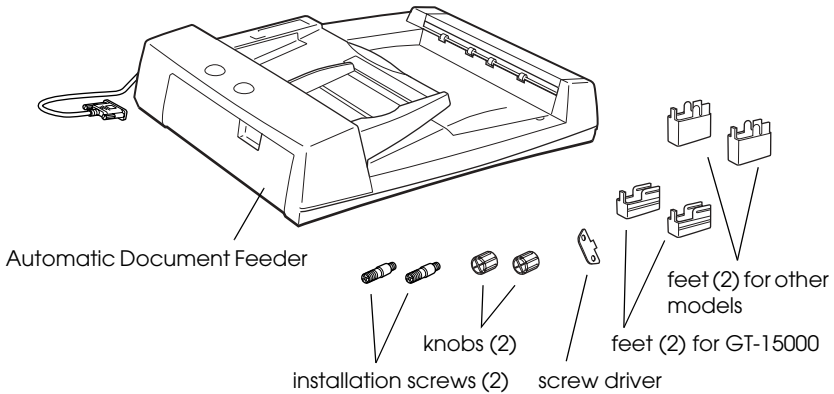
---

## Using the Automatic Document Feeder

The Automatic Document Feeder (B81321\*) allows you to automatically load multiple-page documents into your scanner. This document feeder is particularly useful for OCR (optical character recognition) scanning, or for creating an image database.

## Unpacking the Automatic Document Feeder

When you unpack, make sure you have all the parts shown below and that none is damaged. If you find any missing or damaged items, contact your EPSON dealer immediately.



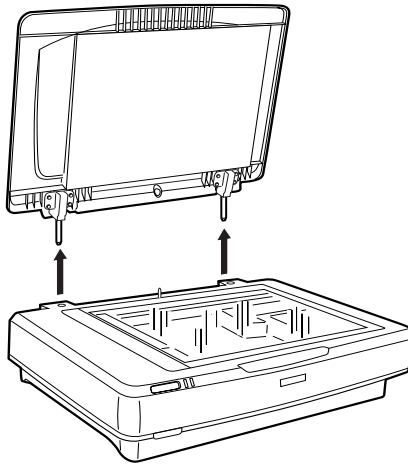
## ***Installing the Automatic Document Feeder***

Before installing the Automatic Document Feeder, be aware that:

- ❑ The Automatic Document Feeder is heavy, so you may need to have someone help you lift it.
- ❑ The Automatic Document Feeder is large, so you should clear sufficient space around the scanner.

Follow the steps below to install the Automatic Document Feeder on your EPSON scanner:

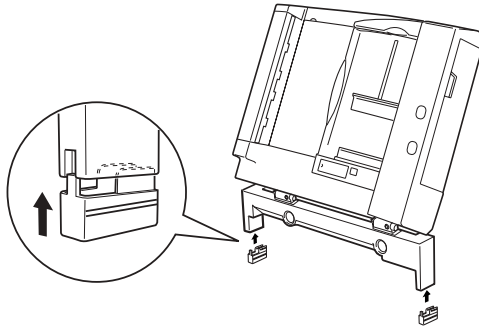
1. Make sure your scanner is turned off and unplug the power cord.
2. Open the scanner's document cover, then remove it by lifting the back of the cover straight up.



***Warning:***

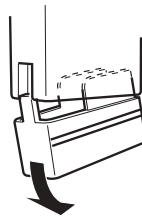
*Before removing the document cover, make sure to raise it to the upright position to prevent the hinges from snapping back on the springs.*

3. Attach the two smaller feet with a groove on the side as shown below.

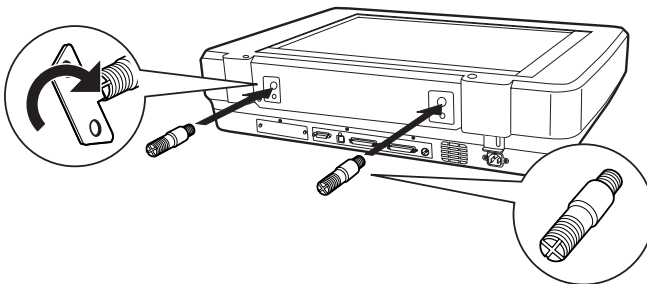


**Note:**

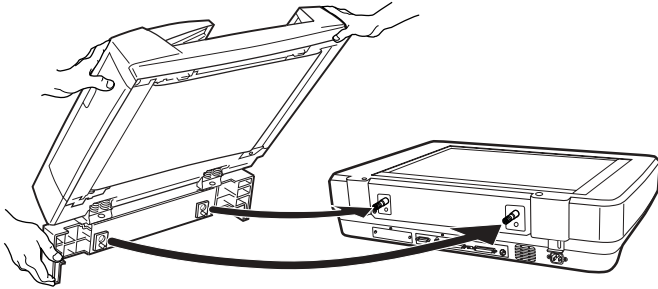
*When removing the feet, turn and remove them as shown below:*



4. Insert the installation screws into the holes on the back of the scanner, and then secure them using the included screwdriver.



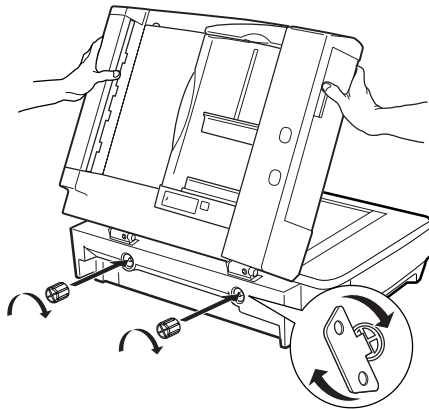
5. Align the installation screws with the holes in the Automatic Document Feeder. Slide the holes over the installation screws.



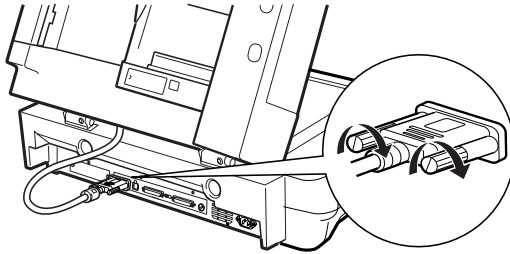
**Warning:**

*The Automatic Document Feeder is heavy. Ask for assistance when lifting it.*

6. Secure the knobs to the ends of the installation screws using the included screwdriver.



7. Attach the Automatic Document Feeder's connector to the scanner's option interface.



8. Close the Automatic Document Feeder.
9. Connect the power cord to the scanner and then turn on the scanner. For details on how to use the Automatic Document Feeder, see the *Reference Guide - Option* on the software CD-ROM.

---

## ***Using the Optional I/F Card***

The optional IEEE 1394 Scanner I/F Card (B80834\*) offers high-speed data transfer and flexible connectivity for your scanner. It supports a peak data transfer rate of 400 Mbps, and interface cables can be connected and disconnected without turning off the scanner or your computer. You can connect multiple IEEE 1394 devices simultaneously in either a daisy-chain or tree configuration.

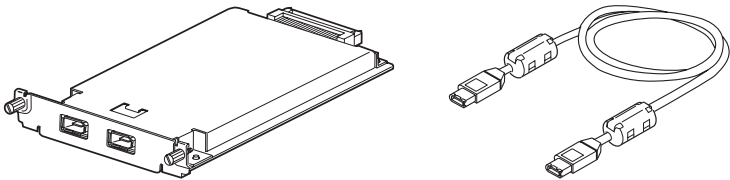


## ***System requirements***

- Hardware: PC with built-in IEEE 1394 OHCI Host Controller supported by Microsoft®, or PC with IEEE 1394 PCI board installed
- OS: Microsoft® Windows® XP, 2000 Professional, or Me pre-installed with IEEE 1394 OHCI port

## ***Installing the IEEE 1394 Scanner I/F Card in your scanner***

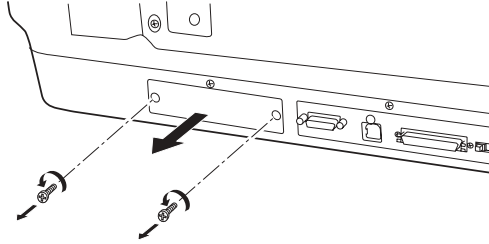
To use your scanner as an IEEE 1394 device, you need to install the optional IEEE 1394 Scanner I/F Card.



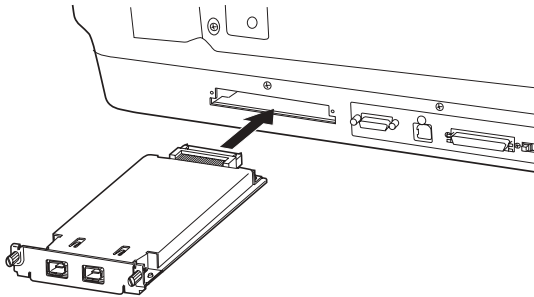
1. Turn off the scanner. Unplug any power cords, then disconnect all cables from the back panel of your scanner.
2. Remove the two screws using a cross-head screwdriver and the plate. Be sure to keep both screws; you may need to use them again if you re-install the shield plate.

**Caution:**

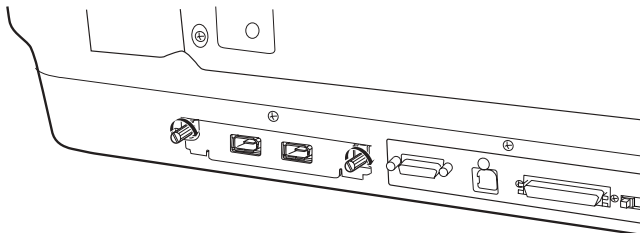
Static electricity can damage electronic components.  
Discharge static electricity by touching the metal frame of  
your scanner before handling the interface board.



3. Insert the Scanner I/F Card along the side guide rails into the expansion slot in the optional interface slot.



4. Secure it with the retaining screws.



5. Reconnect all cables.

## Understanding IEEE 1394 connections

The Scanner I/F Card is equipped with two cable connectors. One is used to connect the card to the computer, and the other is used to connect other IEEE 1394 devices in a daisy chain or tree configuration. Use the cable supplied when making the connection. The cable can be connected without switching off the power supply to the computer or the scanner because it complies with the IEEE 1394 standard. Cables can be connected whether the scanner or computer are on or off.

**Caution:**

*Do not connect or disconnect IEEE 1394 cables when the scanner is in use.*

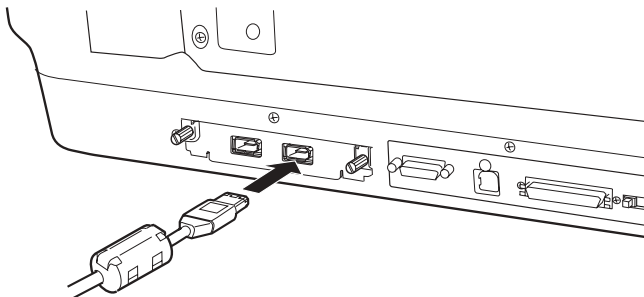
## Connecting to your computer

To connect the scanner to your computer or other IEEE 1394 device:

**Note:**

*You need to install the scanner software before you connect your scanner to your computer.*

1. Connect one end of the cable to the IEEE 1394 port of the Scanner I/F Card on back of the scanner.



2. Connect the other end of the cable to the IEEE 1394 port on your computer, or other IEEE 1394 device.

If IEEE 1394 devices are already connected to your computer, connect the scanner so that it is the last IEEE 1394 device in the chain.

**Note:**

- ❑ *The IEEE 1394 cable supplied with the optional IEEE 1394 Scanner I/F Card has 2 six pin connectors at each end. If IEEE 1394 devices with four pin connectors are used in a daisy chain or tree, you will need to use a 6:4 converter cable.*
- ❑ *Connect the cable to a vacant IEEE 1394 connector if additional IEEE 1394 devices are to be connected to your scanner.*

To know more about IEEE 1394 settings, refer to the Online Reference Guide. See “Viewing the Online Guide” on page 33.

---

## ***Using the Optional Network Image Express Card***

The EPSON Network Image Express Card enables an EPSON scanner supporting network function to be used on a network. This is an alternative to having the scanner connected to a server PC. The setup procedure for EPSON Network Image Express Card is same as IEEE 1394 Scanner I/F Card. See “Installing the IEEE 1394 Scanner I/F Card in your scanner” on page 29. For information on how to use it, refer to the documentation supplied with EPSON Network Image Express Card.

# 7 To Know More about Your Scanner

---

## Online Reference Guide

To learn more about your scanner, see the *Reference Guide* on the software CD which includes detailed information on scanning and troubleshooting. You can view this guide directly from the CD, or install it on the hard disk of your computer for viewing.

### Viewing the Online Guide

1. Insert the software CD into the CD-ROM drive. If the CD has not been removed since you installed the software, remove it and then insert it again.

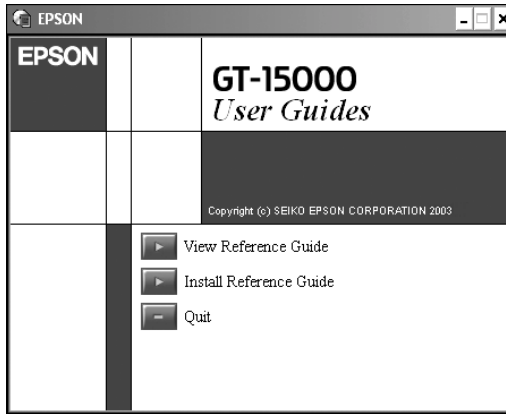
The EPSON Installer Program dialog box appears. Select your preferred language and then click .

**Note:**

*If the EPSON Installation Program dialog box does not appear, click the CD-ROM icon, and then select Open from the File menu. Double-click SETUP.EXE.*

2. Select User Guides and then click .

3. To view the *Reference Guide*, click View Reference Guide. To copy the *Reference Guide* to your computer, click Install Reference Guide.



## ***Online Help***

Online Help comes with your software. It provides detailed information on the software. Click the HELP button on the dialog box of the software.

**EPSON**

Color Image Scanner

**EPSON GT-15000**

*Setup Guide*