

Epson Stylus™ **Pro 7900**

Epson Stylus™ **Pro 7910**

Epson Stylus™ **Pro 9900**

Epson Stylus™ **Pro 9910**

# User's Guide

---

## Copyrights and Trademarks

---

### Copyrights and Trademarks

No part of this publication may be reproduced, stored in a retrieval system, or transmitted in any form or by any means, electronic, mechanical, photocopying, recording, or otherwise, without the prior written permission of Seiko Epson Corporation. The information contained herein is designed only for use with this Epson printer. Epson is not responsible for any use of this information as applied to other printers.

Neither Seiko Epson Corporation nor its affiliates shall be liable to the purchaser of this product or third parties for damages, losses, costs, or expenses incurred by the purchaser or third parties as a result of accident, misuse, or abuse of this product or unauthorized modifications, repairs, or alterations to this product, or (excluding the U.S.) failure to strictly comply with Seiko Epson Corporation's operating and maintenance instructions.

Seiko Epson Corporation shall not be liable for any damages or problems arising from the use of any options or any consumable products other than those designated as Original Epson Products or Epson Approved Products by Seiko Epson Corporation.

Seiko Epson Corporation shall not be held liable for any damage resulting from electromagnetic interference that occurs from the use of any interface cables other than those designated as Epson Approved Products by Seiko Epson Corporation.

EPSON® is a registered trademark, and Epson Stylus™ and Exceed Your Vision are trademarks of Seiko Epson Corporation.

Microsoft® and Windows® are registered trademarks of Microsoft Corporation.

Apple® and Macintosh® are registered trademarks of Apple Inc.

Adobe®, Photoshop®, Lightroom® and Adobe® RGB are registered trade marks of Adobe Systems Incorporated.

#### Info-ZIP copyright and license

This is version 2005-Feb-10 of the Info-ZIP copyright and license. The definitive version of this document should be available at <ftp://ftp.info-zip.org/pub/infozip/license.html> indefinitely.

Copyright © 1990-2005 Info-ZIP. All rights reserved. For the purposes of this copyright and license, "Info-ZIP" is defined as the following set of individuals:

Mark Adler, John Bush, Karl Davis, Harald Denker, Jean-Michel Dubois, Jean-loup Gailly, Hunter Goatley, Ed Gordon, Ian Gorman, Chris Herborth, Dirk Haase, Greg Hartwig, Robert Heath, Jonathan Hudson, Paul Kienitz, David Kirschbaum, Johnny Lee, Onno van der Linden, Igor Mandrichenko, Steve P. Miller, Sergio Monesi, Keith Owens, George Petrov, Greg Roelofs, Kai Uwe Rommel, Steve Salisbury, Dave Smith, Steven M. Schweda, Christian Spieler, Cosmin Truta, Antoine Verheijen, Paul von Behren, Rich Wales, Mike White

This software is provided "as is," without warranty of any kind, express or implied. In no event shall Info-ZIP or its contributors be held liable for any direct, indirect, incidental, special or consequential damages arising out of the use of or inability to use this software. Permission is granted to anyone to use this software for any purpose, including commercial applications, and to alter it and redistribute it freely, subject to the following restrictions:

- Redistributions of source code must retain the above copyright notice, definition, disclaimer, and this list of conditions.
- Redistributions in binary form (compiled executables) must reproduce the above copyright notice, definition, disclaimer, and this list of conditions in documentation and/or other materials provided with the distribution. The sole exception to this condition is redistribution of a standard UnZipSFX binary (including SFXWiz) as part of a self-extracting archive; that is permitted without inclusion of this license, as long as the normal SFX banner has not been removed from the binary or disabled.
- Altered versions--including, but not limited to, ports to new operating systems, existing ports with new graphical interfaces, and dynamic, shared, or static library versions--must be plainly marked as such and must not be misrepresented as being the original source. Such altered versions also must not be misrepresented as being Info-ZIP releases--including, but not limited to, labeling of the altered versions with the names "Info-ZIP" (or any variation thereof, including, but not limited to, different capitalizations), "Pocket UnZip," "WiZ" or "MacZip" without the explicit permission of Info-ZIP. Such altered versions are further prohibited from misrepresentative use of the Zip-Bugs or Info-ZIP e-mail addresses or of the Info-ZIP URL(s).
- Info-ZIP retains the right to use the names "Info-ZIP," "Zip," "UnZip," "UnZipSFX," "WiZ," "Pocket UnZip," "Pocket Zip," and "MacZip" for its own source and binary releases.

*General Notice: Other product names used herein are for identification purposes only and may be trademarks of their respective owners. Epson disclaims any and all rights in those marks.*

Copyright© 2008 Seiko Epson Corporation. All rights reserved.

---

**Contents**


---

## Contents

### Copyrights and Trademarks

### Safety Instructions

Important Safety Instructions . . . . .	6
Warning, Cautions, and Notes . . . . .	6
When choosing a place for this product . . . . .	6
When setting up this product . . . . .	6
When using this product . . . . .	7
When handling the ink cartridges . . . . .	8
When transporting this product . . . . .	8

### Introduction

Features . . . . .	9
Printer Parts . . . . .	11
Front section . . . . .	11
Rear section . . . . .	11

### The Control Panel

Buttons, Lights, and Messages . . . . .	12
Buttons . . . . .	12
Lights . . . . .	13
Display . . . . .	14
Menu Mode . . . . .	16
Using the Menu mode . . . . .	16
Menu list . . . . .	19
Details of Menu mode . . . . .	21
Maintenance Mode . . . . .	29
Maintenance mode list . . . . .	29

### Paper Handling

Supported Media . . . . .	30
Roll paper . . . . .	30
Cut sheet . . . . .	30
Using Roll Paper . . . . .	31
Loading roll paper . . . . .	31
Cutting the roll paper . . . . .	35
Removing the roll paper . . . . .	36
Using Cut Sheet Media . . . . .	38
Loading cut sheet smaller than A3 size . . . . .	38
Loading cut sheet A3 size or larger / thick paper . . . . .	39
Ejecting Paper . . . . .	41

For roll paper . . . . .	41
For cut sheet media . . . . .	41
Using the paper basket and paper guides . . . . .	42
Using Auto Take-up Reel Unit (For Epson Stylus Pro 9900/9910 only) . . . . .	46
Printable area . . . . .	52

### Basic Settings

Print Settings . . . . .	54
Printing procedures (Windows) . . . . .	54
Printing procedures (Mac OS X) . . . . .	55
Checking the printer status . . . . .	58
When problem occurs during printing . . . . .	58
Canceling Printing . . . . .	59
Canceling printing using the computer (Windows) . . . . .	59
Canceling printing using the computer (Mac OS X) . . . . .	60
Canceling printing using the printer . . . . .	60
Changing the Black Ink . . . . .	60

### Options and Consumable Products

#### Maintenance

Daily Maintenance . . . . .	64
Instructions for placing the printer . . . . .	64
Notes for when you are not using the printer . . . . .	64
Instructions for using paper . . . . .	64
Replacing Ink Cartridges . . . . .	66
When ink needs to be replaced/When ink gets low . . . . .	66
Confirming the ink cartridge remaining . . . . .	66
About ink cartridges . . . . .	68
Replacing ink cartridges . . . . .	69
Replacing the Maintenance Tank . . . . .	70
Confirming the free space of the maintenance tank . . . . .	70
Replacing the maintenance tank . . . . .	71
Replacing the Cutter . . . . .	72
Adjusting the Print Head . . . . .	75
Nozzle check . . . . .	76
Head cleaning . . . . .	78

## Contents

---

Power cleaning . . . . .	80
Automatic maintenance function . . . . .	81
Print head alignment . . . . .	82
Cleaning the Printer . . . . .	84
Cleaning outside of the printer . . . . .	84
Cleaning inside of the printer . . . . .	85
Keeping the Printer . . . . .	86
If you do not use your printer for a long time . . . . .	86
If you have not used your printer for more than six months . . . . .	87
Protecting the print head . . . . .	87
Transporting the Printer . . . . .	87
Repacking the printer . . . . .	87
Transporting the printer . . . . .	88
Setting up the printer after transporting . . . . .	88

### **Problem Solver**

Error Messages on the LCD Panel . . . . .	89
Error messages . . . . .	89
When the maintenance call error occurs . . . . .	98
When the service call error occurs . . . . .	98
Troubleshooting . . . . .	99
You cannot print (because the printer does not work) . . . . .	99
The printer sounds like it is printing, but nothing prints . . . . .	102
The prints are not what you expected . . . . .	103
Feeding or ejecting troubles . . . . .	107
Other troubles . . . . .	110

### **Using the Printer Software (Windows)**

Printer Software Introduction . . . . .	111
Printer driver . . . . .	111
EPSON Status Monitor 3 . . . . .	112
EPSON LFP Remote Panel 2 . . . . .	112
Accessing the Printer Driver . . . . .	112
From Windows applications . . . . .	112
From the Printer icon . . . . .	113
Getting Information Through Online Help . . . . .	114
Using the Printer Utilities . . . . .	115
Using EPSON Status Monitor 3 . . . . .	116
Uninstalling the Printer Software . . . . .	118
Uninstalling the printer driver . . . . .	118
Uninstalling EPSON LFP Remote Panel 2 . . . . .	119

### **Using the Printer Software (Mac OS X)**

Printer Software Introduction . . . . .	120
Printer driver . . . . .	120
EPSON Printer Utility3 . . . . .	121
EPSON StatusMonitor . . . . .	121
EPSON LFP Remote Panel 2 . . . . .	121
Accessing the Printer Driver . . . . .	122
Accessing the Page Setup dialog . . . . .	122
Accessing the Print dialog . . . . .	122
Getting Information Through Online Help . . . . .	123
Using Printer Utilities . . . . .	123
Accessing EPSON Printer Utility3 . . . . .	124
Using EPSON StatusMonitor . . . . .	124
Uninstalling the Printer Software . . . . .	125
Uninstalling the printer driver . . . . .	125
Uninstalling EPSON LFP Remote Panel 2 . . . . .	127

### **Variety of Printings**

Auto Color Adjustment by PhotoEnhance (Windows only) . . . . .	128
For Windows . . . . .	128
Color Adjustment by the Printer Driver . . . . .	129
For Windows . . . . .	129
For Mac OS X . . . . .	130
Black-and-White Photo Printing . . . . .	132
For Windows . . . . .	132
For Mac OS X . . . . .	134
Borderless Printing . . . . .	136
Supported media type . . . . .	136
Application settings . . . . .	137
Printer driver settings . . . . .	137
Roll paper cut for borderless printing . . . . .	140
Enlarge or Reduce Size Printing . . . . .	141
Fit to Page . . . . .	141
Fit to Roll Paper Width (Windows only) . . . . .	143
Custom . . . . .	144
Pages Per Sheet Printing . . . . .	145
For Windows . . . . .	145
For Mac OS X . . . . .	146
Poster Printing . . . . .	146
Joining the sheets together along the guide . . . . .	148
Printing on Custom Paper . . . . .	151
For Windows . . . . .	151
For Mac OS X . . . . .	152
Banner Printing on Roll Paper . . . . .	154



---

**Contents**

Application settings . . . . .	154
Printer driver settings . . . . .	154
Printing with Non-Epson Media . . . . .	157
Setting the custom paper in the printer . . . . .	157
Customize the Items of the Printer Driver . . . . .	160
Saving the printer driver settings . . . . .	160
Menu arrangement . . . . .	162
Exporting or Importing . . . . .	163
Using Color Management . . . . .	164
Color management by Driver ICM (Windows only) . . . . .	165
Color management by Host ICM or ColorSync . . . . .	167
Color management by application . . . . .	169

**Index****Paper Information**

Paper Information . . . . .	171
Roll paper . . . . .	172
Cut sheet . . . . .	179

**Where To Get Help**

Technical Support Web Site . . . . .	183
Contacting Customer Support . . . . .	183
Before Contacting Epson . . . . .	183
Help for Users in North America . . . . .	184
Help for Users in Europe . . . . .	184
Help for Users in Australia . . . . .	184
Help for Users in Singapore . . . . .	185
Help for Users in Thailand . . . . .	185
Help for Users in Vietnam . . . . .	185
Help for Users in Indonesia . . . . .	186
Help for Users in Hong Kong . . . . .	186
Help for Users in Malaysia . . . . .	187
Help for Users in India . . . . .	187
Help for Users in the Philippines . . . . .	188

**Product Information**

System Requirements for the Printer Driver . . . . .	189
System requirements . . . . .	189
Connection requirements . . . . .	189
Printer Specifications . . . . .	190
Printing . . . . .	190
Electrical . . . . .	191
Ink cartridges . . . . .	191
Environmental . . . . .	192
Standards and Approvals . . . . .	193
Interface . . . . .	193

## Safety Instructions

# Safety Instructions

## Important Safety Instructions

Read all of these instructions before using the printer. Also be sure to follow all warnings and instructions marked on the printer.

## Warning, Cautions, and Notes



**Warning:**

*must be followed carefully to avoid bodily injury.*



**Caution:**

*must be observed to avoid damage to your equipment.*

**Note:**

*contain important information and useful tips on the operation of this printer.*

## When choosing a place for this product

- ❑ Place this product on a flat, stable surface that is larger than this product. This product will not operate properly if it is tilted or at an angle.
- ❑ Avoid places subject to rapid changes in temperature and humidity. Also keep it away from direct sunlight, strong light, or heat sources.
- ❑ Avoid places subject to shocks and vibrations.
- ❑ Keep this product away from dusty areas.
- ❑ Place this product near a wall outlet where the plug can be easily unplugged.

## When setting up this product

- ❑ Do not block or cover the openings in this product's cabinet.
- ❑ Do not insert objects through the slots. Take care not to spill liquid on this product.
- ❑ This product's power cord is for use with this product only. Use with other equipment may result in fire or electric shock.
- ❑ Connect all equipment to properly grounded power outlets. Avoid using outlets on the same circuit as photocopiers or air control systems that regularly switch on and off.
- ❑ Avoid electrical outlets controlled by wall switches or automatic timers.
- ❑ Keep the entire computer system away from potential sources of electromagnetic interference, such as loudspeakers or the base units of cordless telephones.
- ❑ Use only the type of power source indicated on the product's label.
- ❑ Use only the power cord that comes with this product. Use of another cord may result in fire or electric shock.

## Safety Instructions

---

- ❑ Do not use a damaged or frayed power cord.
- ❑ If you use an extension cord with this product, make sure the total ampere rating of the devices plugged into the extension cord does not exceed the cord's ampere rating. Also, make sure the total ampere rating of all devices plugged into the wall outlet does not exceed the wall outlet's ampere rating.
- ❑ Do not attempt to service this product yourself.
- ❑ Unplug this product and refer servicing to qualified service personnel under the following conditions:

The power cord or plug is damaged; liquid has entered the product; the product has been dropped or the cabinet damaged; the product does not operate normally or exhibits a distinct change in performance.
- ❑ If you plan to use the printer in Germany, observe the following:

To provide adequate short-circuit protection and over-current protection for this printer, the building installation must be protected by a 10 or 16 amp circuit breaker.
- ❑ If damage occurs to the plug, replace the cord set or consult a qualified electrician. If there are fuses in the plug, make sure you replace them with fuses of the correct size and rating.

---

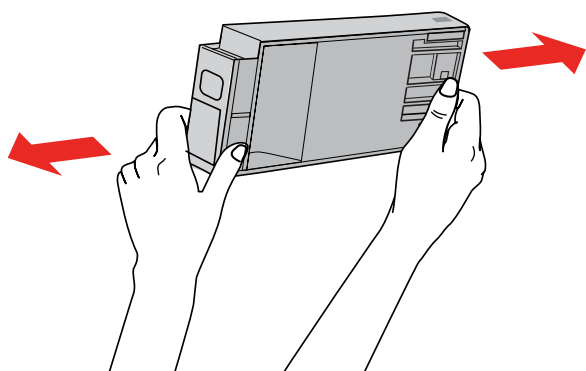
## When using this product

- ❑ Do not put your hand inside this product or touch the ink cartridges during printing.
- ❑ Do not move the print heads by hand; otherwise you may damage this product.
- ❑ Always turn the product off using the **Power** button on the control panel. When this button is pressed, the **Power** light flashes briefly then goes off. Do not unplug the power cord or turn off the product until the **Power** light stops flashing.

## Safety Instructions

### When handling the ink cartridges

- ❑ Keep ink cartridges out of the reach of children and do not drink.
- ❑ If ink gets on your skin, wash it off with soap and water. If it gets in your eyes, flush them immediately with water.
- ❑ Shake the ink cartridge well before installing it for best results.



**Caution:**

*Do not shake cartridges (that have been installed previously) with too much force.*

- ❑ Use the ink cartridge before the date printed on its package.
- ❑ Use up the ink cartridge within six months of installation for best results.
- ❑ Do not dismantle the ink cartridges or try to refill them. This could damage the print head.
- ❑ Do not touch the green IC chip on the side of the cartridge. This may affect normal operation and printing.
- ❑ The IC chip on this ink cartridge retains a variety of cartridge related-information, such as the ink cartridge status, so that the cartridge may be removed and reinserted freely. However, each time the cartridge is inserted, some ink is consumed because the printer automatically performs a reliability check.

- ❑ If you remove an ink cartridge for later use, protect the ink supply area from dirt and dust, and store it in the same environment as this product. Note that there is a valve in the ink supply port, making covers or plugs unnecessary, but care is needed to prevent the ink from staining items that the cartridge touches. Do not touch the ink supply port or surrounding area.

### When transporting this product

- ❑ Before transporting the printer, make sure the print heads are in the home (far right) position.

# Introduction

## Features

Epson Stylus Pro 9900/9910 and Epson Stylus Pro 7900/7910 are wide-format ink jet color printers supporting 44-inch and 24-inch paper respectively.

The features of this printer are described below.

### **Newly developed orange and green inks strengthen our ink lineup and greatly expand the color reproducible range**

This allows you to perform the most suitable color reproduction for color proofing.

### **Pigment inks have greater light fastness and resistance to ozone for reducing fading effect**

This opens up the range of uses from printing photos to displays and banners for storefronts using long paper or posters normally subject to fading.

### **Reduced color difference in different light source conditions**

Previously, coloring with light colors was used to achieve subtle tones. However, to minimize this and thereby reduce color differences in different light source conditions, Light Light Black ink is used instead. The color remains stable even under different light sources, ensuring consistently high quality printing.

### **Printing monochrome photos**

Using the three densities of black ink as the main inks adjusted with light coloring, you can achieve subtle black and white tones. Also, you can print monochrome photos with rich tones from color photo data using only the functions of the printer driver, without having to use an application.

☞ See "Black-and-White Photo Printing" on page 132

### **Support for a range of paper types**

Epson offers a range of special media for ensuring high-quality printing. By selecting the right paper for the application, whether for indoor or outdoor use (lamination is recommended), you can express a whole new world of art. Also, the printer handles paper up to 1.5-mm thick and can also print on paperboard.

☞ See "Paper Information" on page 171

### **Spindleless simplifies the roll paper setting**

Since the printer employs a spindleless mechanism, you do not have to set the roll paper to a spindle. This allows you to set the paper in a small space, as well.

Tension adjustment is also adjusted automatically according to the media type. You can also set the tension on the LCD panel.

### **Stability of ink after printing**

Since the color of the ink stabilizes soon after printing, the prints can be used in the prepress workflow and for color proof purposes.

### **Support two kind of black inks**

Both Photo and Matte Black ink are installed in this printer. Photo Black ink can be used for all media types with professional quality results. Matte Black ink significantly increases black optical density when printing on matte and fine-art type papers. Switch the black ink on the printer's control panel according to the paper used.

### **Large-capacity (350 or 700 ml) ink cartridge**

Epson provides large-capacity (350 or 700 ml) ink cartridges for this printer that realize the high productivity required for professional work.

### **Roll paper remaining**

The remaining amount of the roll paper is displayed on the LCD panel. When you remove the roll paper, the barcode (including the paper type, the roll paper length, and the roll length alert value information) is printed on the roll paper edge. This will facilitate paper setting the next time the same paper is used.

### **High-speed USB 2.0 / Ethernet**

You can connect to a network using USB 2.0 or Ethernet.

## Introduction

---

### **Borderless printing**

Using Auto Expand or Retain Size, you can perform borderless printing.

➤ See "Borderless Printing" on page 136

There is also a borderless poster printing function that allows you to make big posters by simply joining together a number of prints.

➤ See "Poster Printing" on page 146

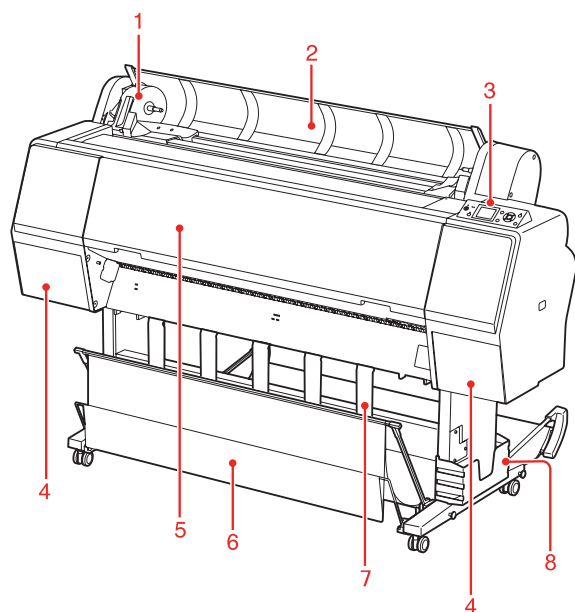
### **Automate the post-process by using Auto Take-up Reel Unit and SpectroProofer (optional)**

By installing SpectroProofer, you can perform the color measurement operation using the print result done.

Auto Take-up Reel Unit winds the roll paper automatically. The Auto Take-up Reel Unit is optional with Epson Stylus Pro 9900/9910.

## Printer Parts

### Front section



#### 1. Adapter holder

Fix the roll paper when setting the roll paper.

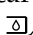
#### 2. Roll paper cover

Open the roll paper cover when you set or remove the roll paper.

#### 3. Control panel

The control panel consists of buttons, lights, and a liquid crystal display (LCD).

#### 4. Ink cover (on both sides)

Open the ink cover when installing the ink cartridges. It slightly opens when you push the  button on the printer's control panel.

#### 5. Front cover

Open the front cover when you remove jammed paper.

#### 6. Paper basket

Receives the ejected paper.

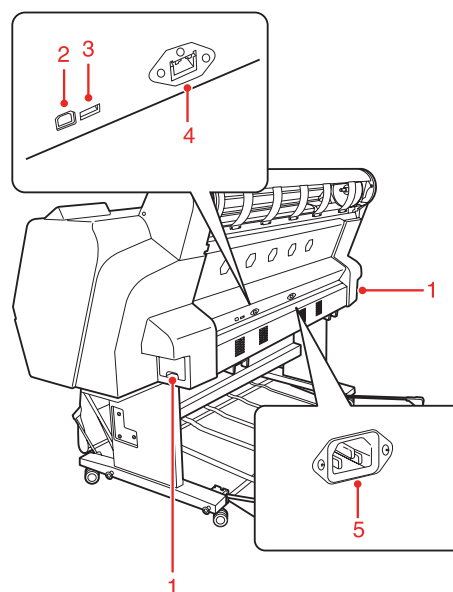
#### 7. Paper guides

Use the paper guides to lead the paper for feeding forward or backward.

#### 8. Manual box

Place the manual in here. You can set it either on the left or right side of the stand.

### Rear section



#### 1. Maintenance tanks (on both sides and the center)

The tank where the waste ink goes into. There are two maintenance tanks on both sides of Epson Stylus Pro 9900/9910. There is one maintenance tank on the right side of Epson Stylus Pro 7900/7910.

#### 2. USB interface connector

Connects the computer and printer with a USB interface cable.

#### 3. Option interface connector

Connects the printer and options with a cable.

#### 4. Network interface connector

Connects the printer to the network with a network interface cable.

#### 5. AC inlet

Plug the power cord.

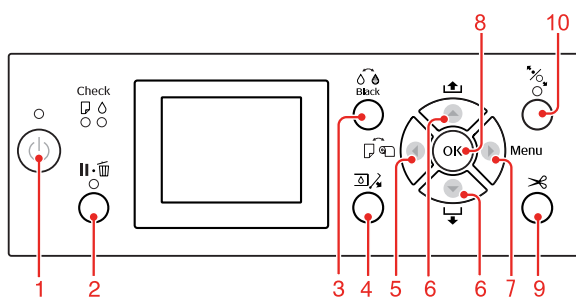
## The Control Panel

# The Control Panel

## Buttons, Lights, and Messages

You can check the ink remaining and printer status on the control panel.

### Buttons



#### 1. Power button ( ⏻ )

Turns the printer on or off.

#### 2. Pause/Reset button ( ⏸ / 🔄 )

❑ The printer enters the PAUSE state when this button is pressed in the READY state. To cancel the pause, select PAUSE CANCEL on the LCD panel. When selecting JOB CANCEL, it functions as the Reset button. The printer stops printing and clears print data in the printer. After clearing the data, it may take a while to return to the READY state.

❑ The printer returns to the READY state when this button is pressed in the Menu mode.

❑ Clears errors if it is possible.  
➤ See "Error messages" on page 89

#### 3. Black Ink Change button ( ⚙ / 🖨 )


Switches the black ink types.




➤ See "Changing the Black Ink" on page 60

#### 4. Ink Cover Open button ( 🔄 / 🔄 )

Slightly opens the selected ink cover, choosing left or right side indicated on the display.

#### 5. Paper Source button ( ◀ / ▶ )

❑ Selects a paper source and roll paper cut method. The icon changes by pressing this button. However, you cannot change the paper source icon to Sheet  when you set the paper while REMAINING PAPER SETUP is set to ON.

Icon	Explanation	
	Roll Auto Cut On	Prints on the roll paper. It cuts the roll paper automatically after printing each page.
	Roll Auto Cut Off	Prints on the roll paper. It does not cut the paper automatically after printing. You need to cut the paper with a cutter manually.
	Sheet	Prints on the sheet.

❑ Returns to the previous level when pressed in the Menu mode.

❑ When you print from the printer driver, the settings you make on the printer driver have priority over the settings you make on the printer's control panel.

#### 6. Paper Feed button ( ▲ / ▼ )

❑ Feeds the roll paper in the forward ▼ or reverse ▲ direction.

You can feed 3 m of paper in the forward ▼ direction with one press. If you want to feed the paper faster in the forward ▼ direction, press and hold it for 3 seconds. You can feed 20 cm of paper in the reverse ▲ direction with one press.

❑ If you press these buttons while the paper presser is released, you can adjust the paper suction in the paper feed path in 3 stages.  
➤ See "Loading cut sheet A3 size or larger / thick paper" on page 39

❑ Press the ▼ button when setting a single cut sheet having a thickness under 0.5 mm, the printer starts paper feeding and then goes to the READY state.



## The Control Panel

- ❑ Feeds the sheet in the forward direction when you press the ▼ button.
- ❑ Changes the parameter in the forward ▼ or reverse ▲ order when selecting a desired parameter in the Menu mode.

### 7. Menu button (▶)

- ❑ Enters the Menu mode when pressed in the READY state.  
➤ See "Menu Mode" on page 16
- ❑ Enters the PRINTER STATUS menu if pressed during printing.  
➤ See "PRINTER STATUS" on page 24
- ❑ When pressed in the Menu mode, a desired menu can be selected.

### 8. OK button (OK)

- ❑ Sets the selected parameter in the selected item in the Menu mode. Executes the item if the selected item is for execution only.
- ❑ The printer ejects the cut sheet by pressing this button after printing.
- ❑ Press this button during ink drying or color chart drying, the printer stops the operation.
- ❑ When you press this button while there is no paper in the printer, you can see the paper feeding procedures on the LCD panel.

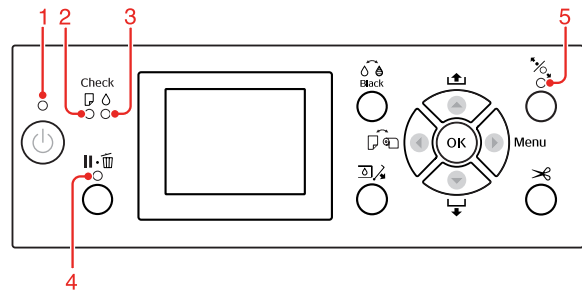
### 9. Paper Cut button (✂)

Cut the roll paper by the built-in cutter.

### 10. Paper Secure button (🔒)

- ❑ This button locks or unlocks the paper presser. When you set the paper, press the button to unlock the paper presser first, and then set the paper. Press the button again so the printer starts feeding the paper and then goes to the READY state.
- ❑ When you press this button while REMAINING PAPER SETUP is ON, a barcode is printed on the roll paper edge and the paper presser is released.

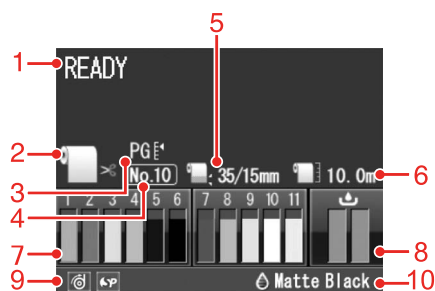
## Lights



1	Power light	On	The printer is on.
		Flashing	The printer is receiving the data. The printer is in process of turning off.
		Off	The printer is off.
2	Paper Check light	On	No paper is loaded in the paper source. The paper setting is not correct.
		Flashing	Paper is jammed. Paper is not loaded straight.
		Off	The printer is ready to print data.
3	Ink Check light	On	The installed ink cartridge is expended. The ink cartridge is not installed. The wrong ink cartridge is installed.
		Flashing	The installed ink cartridge is nearly expended.
		Off	The printer is ready for print data.
4	Pause light	On	The printer is in the Menu mode or pause mode. The printer has an error.
		Off	The printer is ready to print data.
5	Paper Secure light	On	The paper presser is released.
		Off	The printer is ready to print data.

## The Control Panel

### Display



#### 1. Messages

Displays the printer status, operation, and error messages.

☞ See “Error Messages on the LCD Panel” on page 89

☞ See “Details of Menu mode” on page 21

#### 2. Paper Source icon

Displays the paper source and roll paper cut setting.

You can select the following paper source icons by pressing the ◀ button displayed on the LCD panel.

When you print from the printer driver, the settings you make on the printer driver have priority over the settings you make on the printer's control panel.

Icon	Explanation
	Prints on the roll paper. It cuts the roll paper automatically after printing each page.  When using the optional Auto Take-up Reel Unit, set the Auto switch to Off; otherwise, the printer does not cut the paper.
	Prints on the roll paper. It does not cut automatically after printing.
	Prints on the sheet.

#### 3. Platen Gap icon

Displays the Platen Gap setting.

☞ See “Menu list” on page 19

Icon	Explanation
None	STANDARD
	NARROW
	WIDE
	WIDER
	WIDEST

#### 4. Paper Number

When you select paper number (1 to 10) for CUSTOM PAPER, the number you selected appears.

☞ See “Printing with Non-Epson Media” on page 157

#### 5. Roll Paper Margin icon


Displays the paper margin icon with the margins you have selected for the ROLL PAPER MARGIN.

- 15mm: When TOP/BOTTOM 15mm is selected.
- 35/15mm: When TOP 35/BOTTOM 15mm is selected.
- 3mm: When 3mm is selected.
- 15mm: When 15mm is selected.
- Auto: When DEFAULT is selected.

☞ See “Menu list” on page 19

## The Control Panel

### 6. Roll Paper Counter icon

Displays the remaining amount of roll paper. When you make the following settings in **ROLL PAPER REMAINING** of the **PAPER SETUP** menu, the  icon and the remaining amount of roll paper is displayed.

- REMAINING PAPER SETUP** is set to **ON**.
- The length of the roll paper is set for the **ROLL PAPER LENGTH**.
- The roll length alert value is set for the **ROLL LENGTH ALERT**.

➤ See "PAPER SETUP" on page 25

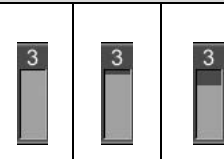



### 7. Ink cartridge status icon

Displays the remaining amount of ink in each cartridge.

- Ink cartridge


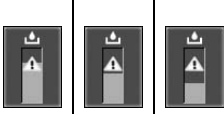
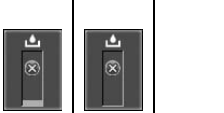
Number	Ink color
1	Cyan (C)
2	Orange (O)
3	Yellow (Y)
4	Light Cyan (LC)
5	Matte Black (MK)
6	Photo Black (PK)
7	Vivid Magenta (VM)
8	Light Black (LK)
9	Green (G)
10	Light Light Black (LLK)
11	Vivid Light Magenta (VLM)

- Ink remaining

Icon	Description
	There is enough ink remaining.
	Prepare a new ink cartridge. (flashing) This icon indicates the yellow tank.
	The ink is expended so you cannot print. Replace the ink cartridge with a new one. (flashing) This icon indicates the yellow tank.
	Cartridge error or no cartridge. (flashing) This icon indicates the yellow tank.

### 8. Maintenance tank icon





The rightmost icons show the free space of the maintenance tanks. There are two maintenance icons for Epson Stylus Pro 9900/9910 and one for Epson Stylus Pro 7900/7910.

Icon	Description
	There is enough free space in the maintenance tanks.
	We recommend you prepare a new maintenance tank. (flashing)
	The maintenance tank is full. Replace the maintenance tank with a new one. (flashing)

## The Control Panel

### 9. Option usage icon

Displays whether options are available to use or not.

Option	Icon	Description
Auto Take-up Reel Unit		Available
		Not available
	No icon	Not connected
Spectro Proofer		Available
		Not available
	No icon	Not connected

### 10. Black Ink icon

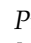
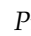
Displays the black ink that is selected.

## Menu Mode

The Menu mode enables you to make printer settings similar to those you would normally make in the driver or software, as well as other additional settings, directly through the control panel. The control panel shows the printer information, and operations such as nozzle check can be performed using the control panel.

### Using the Menu mode

**Note:**

Press the  button whenever you want to exit the Menu mode and return to the READY state. Press the  button to return to the previous step.

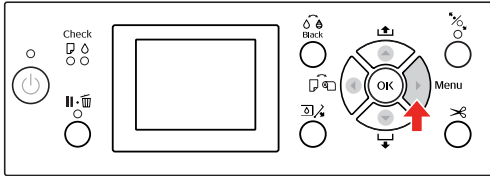
Follow the steps below to use the Menu mode.

## The Control Panel

### 1. Select a menu.

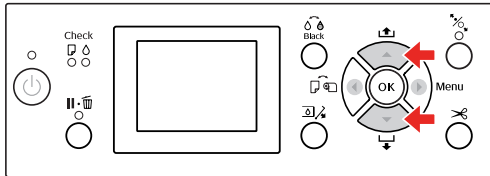
Example: Select **PRINTER SETUP**.

- 1 Press the **▶** button to enter the Menu mode.

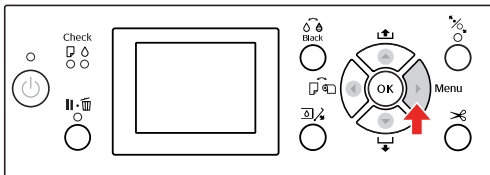


The first menu appears on the LCD panel.

- 2 Press the **▲ / ▼** button to select **PRINTER SETUP**.



- 3 Press the **▶** button to enter the **PRINTER SETUP** menu.

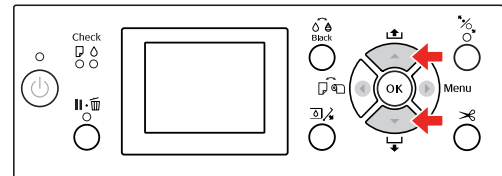


### 2. There are three cases depending on the items you have selected.

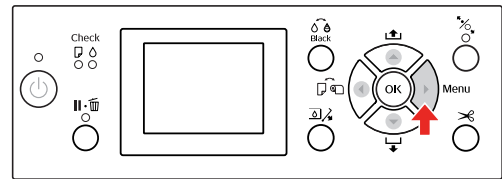
#### A. When you can select a parameter

Example: When selecting **PLATEN GAP** in the **PRINTER SETUP** menu

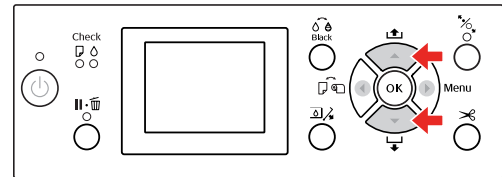
- 1 Press the **▲ / ▼** button to select **PLATEN GAP**.



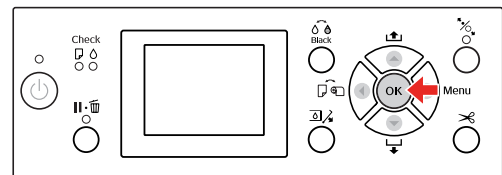
- 2 Press the **▶** button to enter the **PLATEN GAP** item.



- 3 Press the **▲ / ▼** button to select a parameter for the item. The current setting is marked with (✓).



- 4 Press the **OK** button to store the selected parameter.



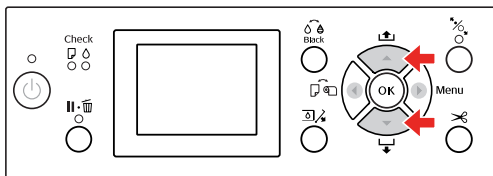
- 5 Press the **◀** button to return to the previous level, or press the **||•☐** button to exit the Menu mode.

## The Control Panel

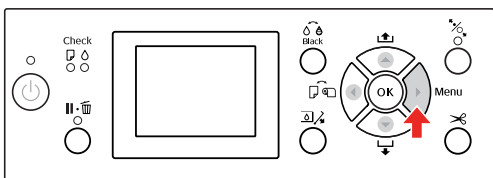
### B. When you execute a function

Example: When selecting NOZZLE CHECK in the TEST PRINT menu

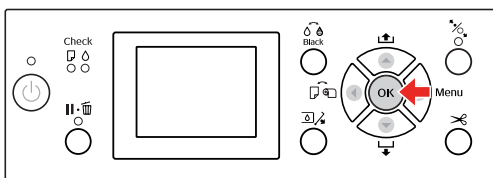
- 1 In the TEST PRINT menu, press the ▲ / ▼ button to select NOZZLE CHECK.



- 2 Press the ► button to enter the NOZZLE CHECK item.



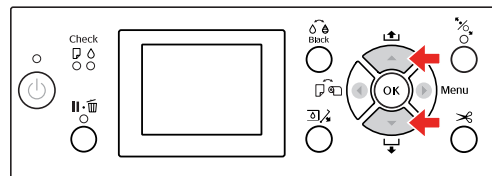
- 3 Press the OK button to execute the NOZZLE CHECK.



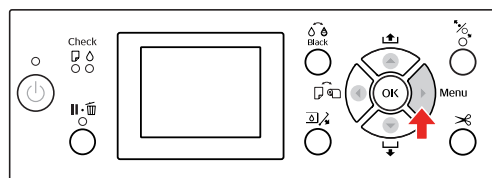
### C. When you want to display the printer information

Example: When selecting INK LEVEL in the PRINTER STATUS menu.

- 1 In the PRINTER STATUS menu, press the ▲ / ▼ button to select INK LEVEL.

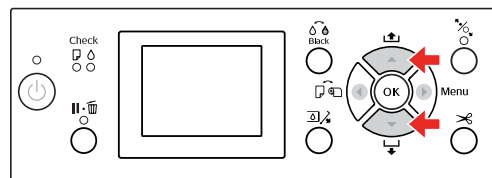


- 2 Press the ► button to enter the INK LEVEL item.



- 3 Confirm the remaining ink on the display. Press the ▲ / ▼ button to display the remaining amount of each ink color.

Example: Matte Black 84%



- 4 Press the ◀ button to return to the previous level or press the ||•☐ button to exit the Menu mode.

## The Control Panel

### Menu list

Menu	Item	Parameter
"PRINTER SETUP" on page 21	PLATEN GAP	NARROW, STANDARD, WIDE, WIDER, WIDEST
	PAGE LINE	ON, OFF
	ROLL PAPER MARGIN	DEFAULT, TOP/BOTTOM 15mm, TOP 35/BOTTOM 15mm, 3mm, 15mm
	PAPER SIZE CHECK	ON, OFF
	PAPER SKEW CHECK	ON, OFF
	REFRESH MARGIN	ON, OFF
	AUTO NOZZLE CHECK	ON: PERIODICALLY, ON: EVERY JOB, OFF
	PRINT NOZZLE PATTERN	OFF, ON: EVERY PAGE, ON: EVERY 10 PAGES
	INITIALIZE SETTINGS	EXECUTE
"TEST PRINT" on page 23	NOZZLE CHECK	PRINT
	STATUS SHEET	PRINT
	NETWORK STATUS SHEET	PRINT
	JOB INFORMATION	PRINT
	CUSTOM PAPER	PRINT
"MAINTENANCE" on page 23	CUTTER ADJUSTMENT	EXECUTE
	CUTTER REPLACEMENT	EXECUTE
	CLEANING	NORMAL CLEANING, CLEAN EACH COLOR, POWER CLEANING
	CLOCK SETTING	MM/DD/YY HH:MM
"PRINTER STATUS" on page 24	VERSION	HW0xxxx-xx.xx.IBCC or HN0xxxx-xx.xx.IBCC
	INK LEVEL	(ink color) nn%
	MAINTENANCE TANK	LEFT nn% RIGHT nn%
	JOB HISTORY	No. 0-No. 9 INK xxxxx.xml PAPER xxx.x cm <sup>2</sup>
	TOTAL PRINTS	nnnnnn PAGES
	EDM (or myEpsonPrinter) STATUS	INITIALIZING, NOT STARTED, ENABLED, DISABLED LAST UPLOADED MM/DD/YY HH:MM GMT, (NOT UPLOADED)

### The Control Panel

"PAPER SETUP" on page 25	ROLL PAPER REMAINING	REMAINING PAPER SETUP ROLL PAPER LENGTH ROLL LENGTH ALERT
	PAPER TYPE	Photo Paper Proofing Paper Fine Art Paper Matte Paper Plain Paper Others CUSTOM PAPER NO PAPER SELECTED
	CUSTOM PAPER	PAPER NO.1 - 10
"HEAD ALIGNMENT" on page 27	PAPER THICKNESS	SELECT PAPER TYPE SELECT THICKNESS
	ALIGNMENT	AUTO, MANUAL
"NETWORK SETUP" on page 27	NETWORK SETUP	DISABLE, ENABLE
	IP ADDRESS SETTING	AUTO, PANEL
	IP, SM, DG SETTING	IP ADDRESS 000.000.000.000 - 255.255.255.255  SUBNET MASK 000.000.000.000 - 255.255.255.255  DEFAULT GATEWAY 000.000.000.000 - 255.255.255.255
	BONJOUR	ON, OFF
	INIT NETWORK SETTING	EXECUTE
"OPTIONS SETUP" on page 28	SpectroProofer	STATUS INFORMATION DEVICE ALIGNMENT
	TAKE UP REEL	TAKE UP REEL VERSION



## The Control Panel

## Details of Menu mode

## PRINTER SETUP

Item	Parameter	Explanation
PLATEN GAP	NARROW	<p>You can adjust the distance between the print head and paper.</p> <ul style="list-style-type: none"> <li><input type="checkbox"/> STANDARD: Normally, select STANDARD.</li> <li><input type="checkbox"/> When selecting other than STANDARD, the following icon appears on the LCD panel.</li> </ul> <p><b>PGE</b> : NARROW  <b>PGE</b> : WIDE  <b>PGE</b> : WIDER  <b>PGE</b> : WIDEST</p>
	STANDARD	
	WIDE	
	WIDER	
	WIDEST	
PAGE LINE	ON	<p>You can select whether to print a page line (line along which to cut) on the roll paper. Select <b>ON</b> if you want to print the page line, or <b>OFF</b> otherwise.</p> <p>The vertical line may be printed when the roll paper width that is set in the printer driver is smaller than the width of the roll paper that is loaded in the printer.</p> <p>This setting is available for roll paper only.</p>
	OFF	
ROLL PAPER MARGIN	DEFAULT	<p>You can select margins for roll paper.</p> <ul style="list-style-type: none"> <li><input type="checkbox"/> <b>DEFAULT</b>: The top margin of Premium Glossy Photo Paper (250), Premium Semigloss Photo Paper (250), and Premium Luster Photo Paper (260) are 20 mm and the bottom margin is 15 mm.</li> <li><input type="checkbox"/> <b>TOP/BOTTOM 15mm</b>: The top and bottom margins are 15 mm and left and right margins are 3 mm.</li> <li><input type="checkbox"/> <b>TOP 35/BOTTOM 15mm</b>: The top margin is 35 mm, bottom is 15 mm, and left and right are 3 mm.</li> <li><input type="checkbox"/> <b>15mm</b>: The margins of all four sides are 15 mm.</li> <li><input type="checkbox"/> <b>3mm</b>: The margins of all four sides are 3 mm.</li> </ul> <p>The print size does not change even when the margins are changed.</p>
	TOP/BOTTOM15mm	
	TOP 35/BOTTOM 15mm	
	15mm	
	3mm	
PAPER SIZE CHECK	ON	<p>You can select whether to check the paper width.</p> <ul style="list-style-type: none"> <li><input type="checkbox"/> <b>ON</b>: Check the paper width and top edge of the paper.</li> <li><input type="checkbox"/> <b>OFF</b>: Do not check the paper width and top edge of the paper. The printer continues to print even if the paper width does not match the data width, and the printer may print beyond the paper. Because this soils the inside of the printer, we recommend you select <b>ON</b>. This may result in a wider blank margin at the top of each page.</li> </ul>
	OFF	

## The Control Panel

Item	Parameter	Explanation
PAPER SKEW CHECK	ON	<input type="checkbox"/> ON: If the paper is not straight, an error message appears on the LCD panel and the printer stops printing.  <input type="checkbox"/> OFF: A paper align error does not occur even if the printed data is out of range of the paper, and the printer continues to print.  This setting is available for roll paper only.
	OFF	
REFRESH MARGIN	ON	When you select ON, the printer cuts an extra print area automatically after borderless printing.
	OFF	
AUTO NOZZLE CHECK	ON: PERIODICALLY	The printer performs a nozzle check and if there are missing dots, it performs cleaning automatically.  <input type="checkbox"/> ON: PERIODICALLY Automatically performs a nozzle check periodically.  <input type="checkbox"/> ON: EVERY JOB Performs a nozzle check before printing each job.  <input type="checkbox"/> OFF Does not perform a nozzle check automatically, except for some operations.
	ON: EVERY JOB	
	OFF	
PRINT NOZZLE PATTERN	OFF	When you select ON, the printer prints the nozzle check pattern before printing each print job or the 10th sheet, depending on the setting you have set.
	ON: EVERY PAGE	
	ON: EVERY 10 PAGES	This setting is available for roll paper only.
INITIALIZE SETTINGS	EXECUTE	You can return all setting values you have made in the PRINTER SETUP menu to their factory set value.

## The Control Panel

### TEST PRINT

Item	Parameter	Explanation
NOZZLE CHECK	PRINT	You can print a print head nozzle check pattern for each ink cartridge. ☞ See "Nozzle check" on page 76
STATUS SHEET	PRINT	You can print the current printer status.
NETWORK STATUS SHEET	PRINT	You can print the current network status.
JOB INFORMATION	PRINT	You can print the job information saved in the printer (up to 10 jobs.)
CUSTOM PAPER	PRINT	You can print custom paper information registered in the CUSTOM PAPER menu.

### MAINTENANCE

You can perform maintenance functions, such as head cleaning.

Item	Parameter	Explanation
CUTTER ADJUSTMENT	EXECUTE	You can adjust the cutter position by selecting the cutter position number.
CUTTER REPLACEMENT	EXECUTE	Starts the cutter replacement operation. ☞ See "Replacing the Cutter" on page 72
CLEANING	NORMAL CLEANING	You can perform normal cleaning.
	CLEAN EACH COLOR	You can select the nozzles to clean from the following two-color combinations; C/VM, PK (MK)/LK, O/G, LLK/Y, or VLM/LC.
	POWER CLEANING	You can clean the print head more effectively than normal head cleaning.
CLOCK SETTING	MM/DD/YY HH:MM	You can set year, month, date, hour, and minute.

## The Control Panel

### PRINTER STATUS

This menu shows the printer status.

Item	Parameter	Explanation
VERSION	HW0xxxx-xx.xx.IBCC or HN0xxxx-xx.xx.IBCC	You can see the firmware version.
INK LEVEL	(ink color) nn%	You can see the status of each ink cartridge.
MAINTENANCE TANK	LEFT nn%	You can see the free space of the maintenance tank.
	RIGHT nn%	
JOB HISTORY	No. 0 - No.9 INK xxxxx.xml PAPER xxx.x cm2	You can see ink consumption (INK) in milliliters and paper size (PAPER) for each print job saved in the printer. The latest job is saved as No. 0.
TOTAL PRINTS	nnnnnn PAGES	You can see the total amount of pages you have printed.
EDM (or myEpsonPrinter) STATUS *	INITIALIZING, NOT STARTED, ENABLED, DISABLED	You can see if the EDM (or myEpsonPrinter) is enabled or disabled. If it is enabled, the time that the EDM status was last uploaded is displayed.
	LAST UPLOADED MM/DD/YY HH:MM GMT, (NOT UPLOADED)	

\* This function is not supported in some areas. For details, visit your local Epson Web site or contact your local Epson dealer/representative.

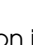

**Note:**

- ❑ When the Ink Check light flashes or remains on, you need to replace the expended ink cartridge. If you replace the cartridge correctly, the counter resets automatically.  
☞ See "Replacing Ink Cartridges" on page 66
- ❑ When the maintenance tank icon indicates that the maintenance tank is full or near full on the LCD panel, you need to replace the maintenance tank. If you replace the tank correctly, the counter resets automatically.  
☞ See "Replacing the Maintenance Tank" on page 70

## The Control Panel

### PAPER SETUP

When you use non-Epson media, be sure to make the appropriate settings for the paper.

Item	Parameter	Explanation
ROLL PAPER REMAINING	REMAINING PAPER SETUP	<p>You can set the paper remaining counter function only if paper is not loaded in the printer.</p> <ul style="list-style-type: none"> <li><input type="checkbox"/> OFF: The ROLL PAPER REMAINING function is disabled. The Roll Paper Counter icon does not appear on the LCD panel.</li> <li><input type="checkbox"/> ON: The remaining amount of roll paper is displayed on the LCD panel. When you press the  button, the barcode (including the paper type, the roll paper length, and the roll length alert value information) is printed on the roll paper edge. When the roll paper is changed, the barcode is scanned and the paper type, the roll paper length, and the roll length alert value information are set.</li> </ul>
	ROLL PAPER LENGTH	<p>These settings are available only when REMAINING PAPER SETUP is ON.</p> <p>You can get a message when there is not much paper left, by setting the roll alert.</p> <p>When using roll paper, enter the length of the roll paper set in the printer and the alert value. You can set the roll paper length from 5.0 to 99.5 m, and the roll length alert from 1 to 15 m.</p>
	ROLL LENGTH ALERT	
PAPER TYPE	Photo Paper	<p>You can select the media type loaded in the printer.</p>
	Proofing Paper	
	Fine Art Paper	
	Matte Paper	
	Plain Paper	
	Others	
	CUSTOM PAPER	
	NO PAPER SELECTED	
CUSTOM PAPER	PAPER NO.1 - 10	<p>You can select a number (between 1 to 10) to register the settings (such as Paper Type, Platen Gap, Thickness Pattern, Paper Feed Adjust, Drying Time, Paper Suction) or to recall these settings you have made. The number you select here is displayed on the LCD panel.</p> <p> See "CUSTOM PAPER" on page 26</p>

## The Control Panel

### CUSTOM PAPER

When you use non-Epson media, you need to make settings suitable for the media.

After you have selected the paper number, make the following settings. Make sure to select the paper from **PAPER TYPE** first, and then make the **PLATEN GAP** setting and so on.

To set the custom paper, see the following section.

☞ "Setting the custom paper in the printer" on page 157

Item	Parameter	Explanation
PAPER TYPE	Photo Paper	You can select the media type that is most similar to the paper you are using.
	Proofing Paper	
	Fine Art Paper	
	Matte Paper	
	Plain Paper	
	Others	
PLATEN GAP	NARROW	You can adjust the distance between the print head and paper. STANDARD: Normally, select STANDARD. NARROW: Use this when printing on thin paper. WIDE or WIDER: Select this if you find that printed images are smeared.
	STANDARD	
	WIDE	
	WIDER	
THICKNESS PATTERN	PRINT	You can print the paper thickness detection pattern.
PAPER FEED ADJUST	0.00%	You can set the paper feed amount of the printable area. The range is -0.70 to 0.70%. If the paper feed value is too large, white horizontal micro-banding may appear. If the paper feed value is too small, dark horizontal micro-banding may appear.
	-0.70% to +0.70%	
DRYING TIME	0.0sec	You can set the ink drying time for each print head pass. The range is 0 to 10 seconds. Depending on the ink density or paper type, the ink does not dry soon. In this case, set the drying time longer.
	0.0sec to 10.0sec	
PAPER SUCTION	STANDARD	You can set the suction pressure used to feed the printed paper.
	-1 to -4	
SET ROLL PAPER TENSION	STANDARD	When using a cloth or thin paper or when wrinkles appear in the paper during printing, select HIGH or HIGHER.
	HIGH	
	HIGHER	
REMOVE SKEW	ON	You can select whether to perform this operation to reduce the paper skew or not.
	OFF	

## The Control Panel

### HEAD ALIGNMENT

You can perform print head alignment. For more details, see the following section.

☞ "Print head alignment" on page 82

Item	Parameter	Explanation
PAPER THICKNESS	SELECT PAPER TYPE	When using Epson special media, select the paper type. If you use non-Epson special media, enter the paper thickness in the range of 0.1 to 1.5 mm.
	SELECT THICKNESS	
ALIGNMENT	AUTO	When you select <b>AUTO</b> , the adjustment pattern for output is read by the sensor and the optimum adjustment value is registered automatically in the printer. When you select <b>MANUAL</b> , you need to check the pattern and enter the value for alignment.
	MANUAL	

### NETWORK SETUP

When you use the printer on the network, set the following items.

Item	Parameter	Explanation
NETWORK SETUP	DISABLE	You can make the network settings using the printer's control panel. The following items appear only when <b>ENABLE</b> is selected. After setting the items, press the ◀ button in the <b>NETWORK SETUP</b> menu, so the network is reset and the network connection is available after 40 seconds. The <b>NETWORK SETUP</b> menu does not appear while resetting the network.
	ENABLE	
IP ADDRESS SETTING	AUTO	You can select the method to set the IP address to the printer. When you select <b>PANEL</b> , <b>IP,SM,DG SETTING</b> appears.
	PANEL	
IP,SM,DG SETTING	Ask your system administrator for detailed information.	
BONJOUR	ON	You can enable or disable the Bonjour setting.
	OFF	
INIT NETWORK SETTING	EXECUTE	You can return the network settings of the printer to the factory default value.

## The Control Panel

---

### OPTIONS SETUP

When you use the optional equipment, set the following items.




Item	Parameter	Explanation
SpectroProofer	STATUS INFORMATION	In STATUS INFORMATION, displays the status of each item of SpectroProofer, such as the version of SpectroProofer, the product numbers of the white calibration tiles, the temperature of Color Measurement Device (ILS20EP), ambient air temperature, and the color of the backing. In DEVICE ALIGNMENT, perform the setup for SpectroProofer installed.
	DEVICE ALIGNMENT	
TAKE UP REEL	TAKE UP REEL VERSION	Displays the version of Auto Take-up Reel Unit.

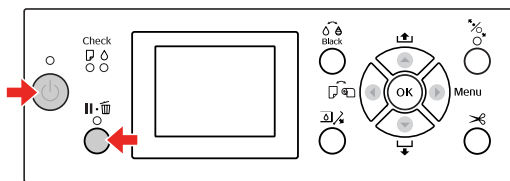


The Control Panel

# Maintenance Mode

You can change the language or unit used on the display or return all the setting values to their factory default.


- 1 Turn off the printer by pressing the  button.
- 2 Press both the  button and the  button at the same time to turn on the printer.



Refer to the "Maintenance mode list" on the right for details.

The setting procedures are the same as those for the Menu mode.

➤ See "Using the Menu mode" on page 16

- 3 To exit the Maintenance mode, press the  button to turn off the printer.

## Maintenance mode list

Item	Parameter	Explanation
LANGUAGE	JAPANESE	You can select the language to be displayed on the LCD panel.
	ENGLISH	
	FRENCH	
	ITALIAN	
	GERMAN	
	PORTUGUE	
	SPANISH	
	DUTCH	
	KOREAN	
CHINESE		
LENGTH UNITS	METRIC	You can select a unit of measurement to use to display length.
	FEET/INCH	
TEMPERATURE UNITS	°C	You can select the unit of temperature displayed on the LCD panel.
	F	
ROLL PAPER TENSION	1 - 5	You can change the maximum value of Roll Paper Tension.
SS CLEANING	EXECUTE	You can perform ultrasonic head cleaning.
DEFAULT PANEL	EXECUTE	You can set all setting values you made in the Menu mode to their factory set value.
CUSTOM	0 - 255	You can make custom settings.

# Paper Handling

## Supported Media

We recommend you use Epson special media that can enhance the usage and expressive power of the printing results. See the following section for more information on the paper.

☞ "Paper Information" on page 171

### Note:

- ❑ Do not use paper that is wrinkled, scuffed, torn, dirty or otherwise imperfect.
- ❑ Insert the paper just before printing. Remove it from the printer when printing is finished and store it in accordance with the instructions for the media that you are using.
- ❑ When you use paper other than Epson special media, see the instructions included with the paper, or contact your supplier for more information. Test the print quality before purchasing a large amount of paper.

## Roll paper

<b>Media types</b>	Plain paper, recycled paper, others
<b>Roll paper size</b>	2-inch core: Outer diameter 103 mm or less
	3-inch core: Outer diameter 150 mm or less
<b>Paper size</b>	<b>Epson Stylus Pro 9900/9910:</b> 2-inch core: 254 to 1118 mm × 45 m 3-inch core: 254 to 1118 mm × 202 m
	<b>Epson Stylus Pro 7900/7910:</b> 2-inch core: 254 to 610 mm × 45 m 3-inch core: 254 to 610 mm × 202 m
<b>Thickness</b>	Plain paper, recycled paper: 0.08 to 0.11 mm (Weight: 64 to 90 g/m <sup>2</sup> )
	Others: 0.08 to 0.5 mm

<b>Available width for borderless printing</b>	10 inches, 300 mm, 13 inches (Super A3), 16 inches, 17 inches, 512 mm (B2), 594 mm (A1), 24 inches (Super A1), 728 mm (B1), 36 inches (Super A0), 44 inches (Super B0)
--	--

## Cut sheet

<b>Media types</b>	Plain paper, recycled paper, others
<b>Paper size</b>	<b>Epson Stylus Pro 9900/9910:</b> Width: 210 to 1118 mm Length: 279.4 to 1580 mm (A4 to Super B0)
	<b>Epson Stylus Pro 7900/7910:</b> Width: 210 to 610 mm Length: 279.4 to 914 mm (A4 to Super A1)
<b>Thickness</b>	Plain paper, recycled paper: 0.08 to 0.11 mm (Weight: 64 to 90 g/m <sup>2</sup> )
	Others: Length 279 to 728 mm: 0.08 to 1.5 mm  Length 728 to 2032 mm: 0.08 to 0.5 mm
<b>Available width for borderless printing</b>	10 inches, 300 mm, 13 inches (Super A3), 16 inches, 17 inches, 512 mm (B2), 594 mm (A1), 24 inches (Super A1), 728 mm (B1), 36 inches (Super A0), 44 inches (Super B0)

### Note:

- ❑ Since the quality of any particular brand or type of paper may be changed by the manufacturer at any time, Epson cannot attest to the quality of any non-Epson brand or type of paper. Always test samples of paper before purchasing large quantities or printing large jobs.
- ❑ Poor quality paper may reduce print quality and cause paper jams or other problems. If you encounter problems, switch to a higher grade of paper.

# Using Roll Paper

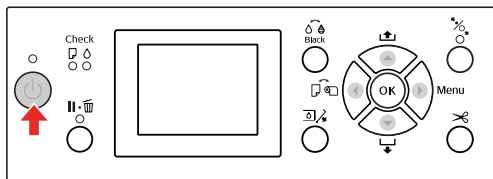
## Loading roll paper

To load roll paper, follow the steps below.

**Note:**

- ❑ When REMAINING PAPER SETUP is ON, the barcode (including the paper information) is printed on the roll paper edge before the paper is removed. This will facilitate paper setting the next time the same paper is used.  
➤ See "PAPER SETUP" on page 25
- ❑ We recommend that you load the roll paper immediately before printing. If the paper roll is left in the printer, the roller for securing the paper may leave a mark on the surface of the paper.

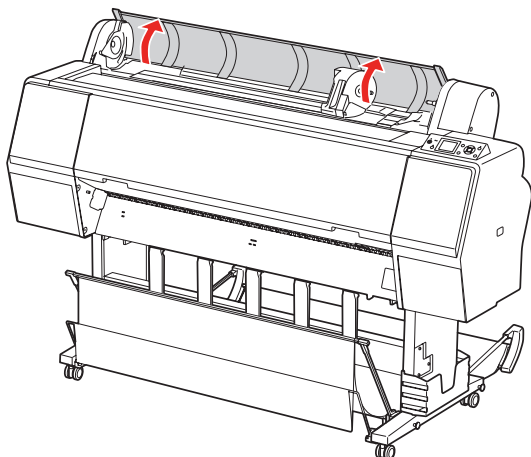
- 1** Turn on the printer by pressing the  button.



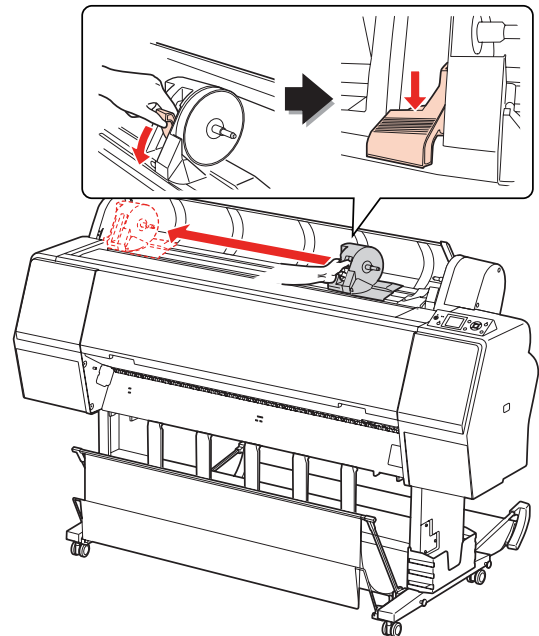
**Note:**

After turning on the printer, press the OK button before loading the paper to display the instructions for paper settings.

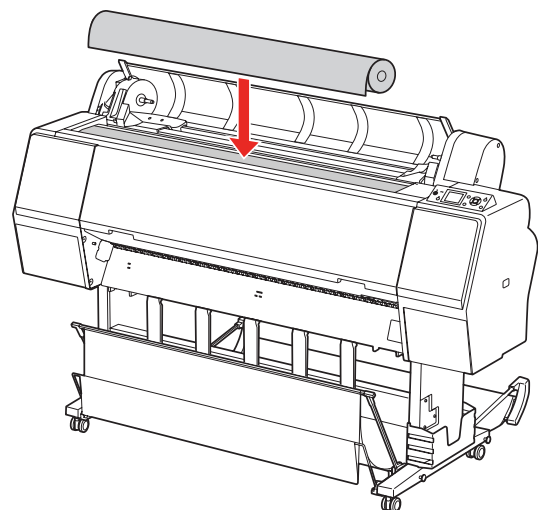
- 2** Open the roll paper cover.



- 3** To unlock the adapter holder, push the lock lever of the adapter holder down firmly. Then move the adapter holder to the left with the handle.



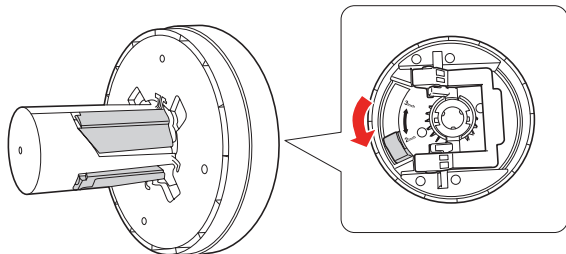
- 4** Place the paper roll in the gap on the top face of the printer.



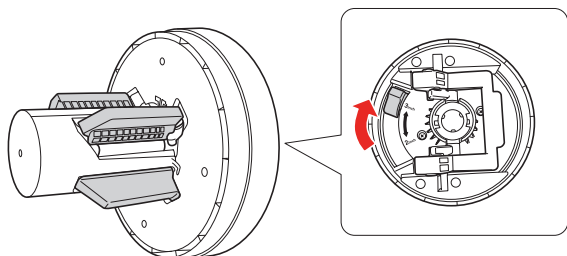
## Paper Handling

- 5** Switch the lever of the roll media adapter to fit the core size of the roll paper.

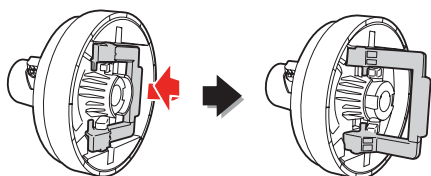
Using 2-inch core:



Using 3-inch core:

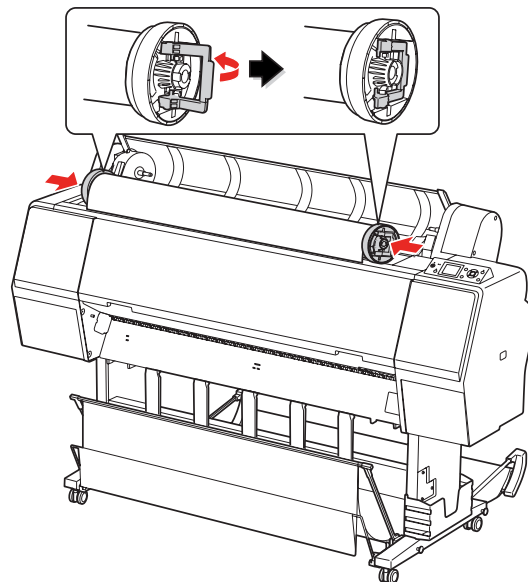


- 6** Release the lock lever of the adapters on both sides.

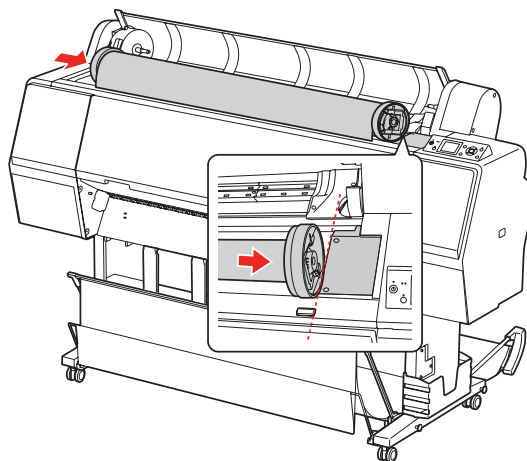


- 7** Attach the roll media adapters on both ends of the roll paper. Then, pull down the lock lever of the adapters on both sides to lock.

Push the adapters into the paper core firmly.

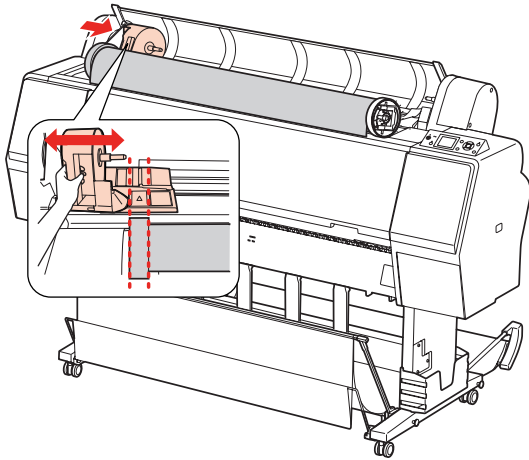


- 8** Move the roll paper to the right side until it touches the roll paper set guide.

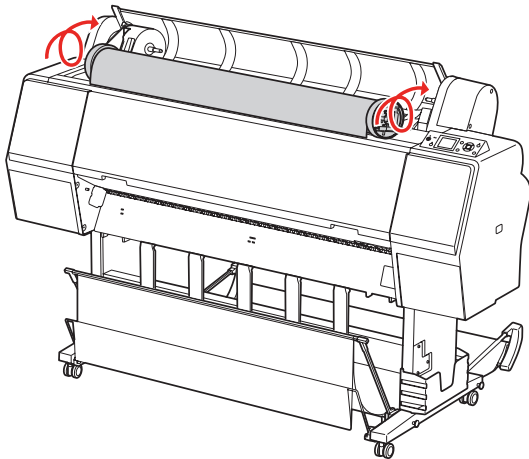


## Paper Handling

- 9** Slide the adapter holder with the handle to make the left roll media adapter align with ▲ on the adapter holder.

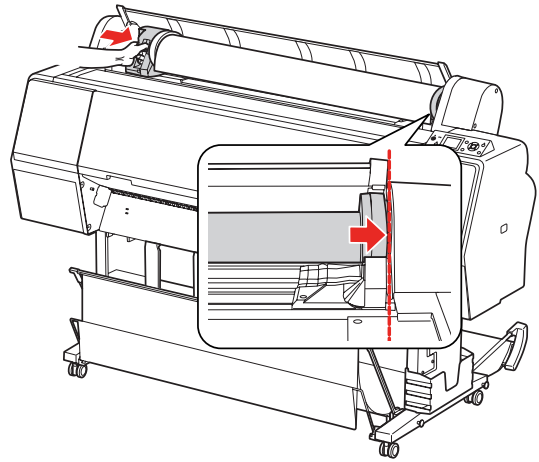


- 10** Roll the roll paper slowly into the roll paper holder.

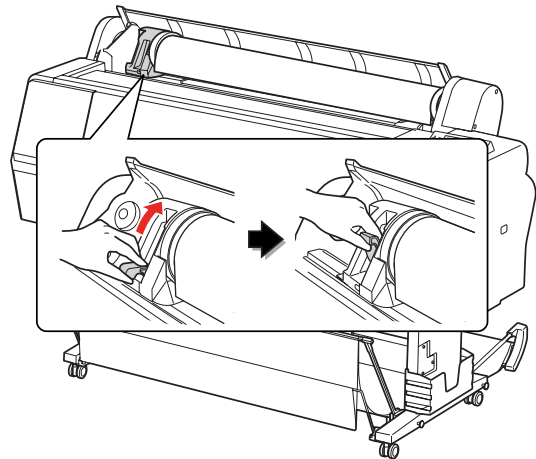



- 11** Slide the adapter holder with the handle to the right to set it in the holder axis firmly.

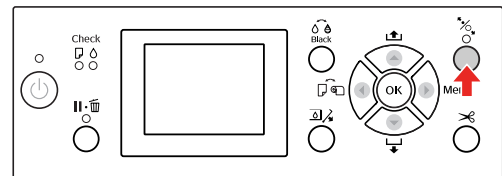
Make sure to set both ends of the roll paper into the adapters firmly.



- 12** Push the lock lever of the adapter holder up to lock.



- 13** Press the  button.

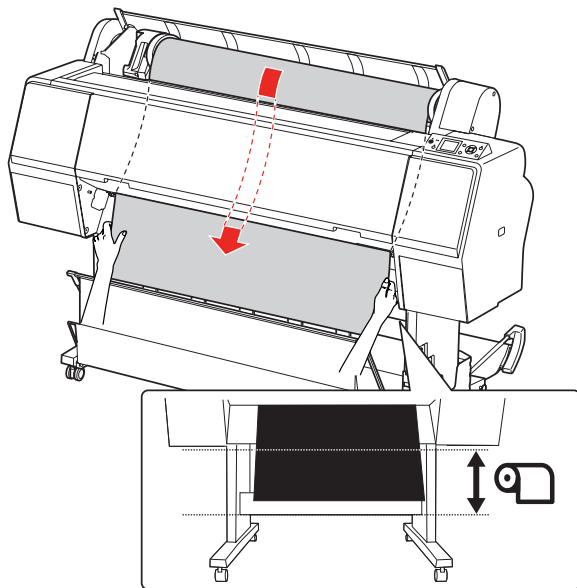


Paper Handling

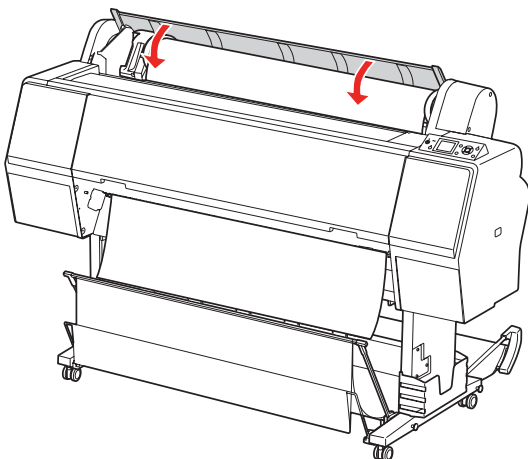
**14** Insert the paper into the insertion slot. Pull the paper down through the paper insertion slot so that it comes out below.


Take care not to fold the edge of the paper, and insert it so that there is no slack.

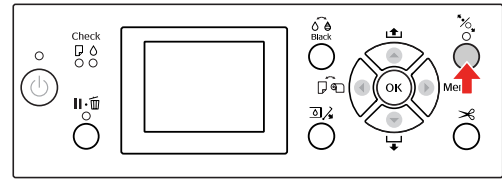
If you have difficulty feeding the paper, adjust the paper suction by pressing the ▲ or ▼ button. Pull the paper to fit the edge of the paper to the label position.




**15** Close the roll paper cover.



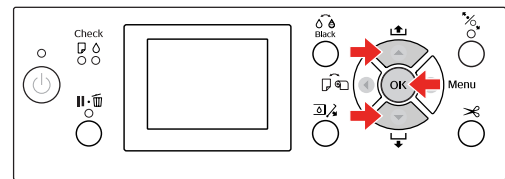
**16** Press the  button.

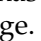


After a few seconds, the paper moves to the printing position. When you press the  button, it moves immediately.

**17** If **ARE THESE SETTINGS OK?** appears on the LCD panel, press the ▲ or ▼ button to select **NO** and then press the **OK** button. Set the media type and paper remaining, and then press the **OK** button to set the media.


The previous setting appears on the LCD panel. If the media type and paper remaining are correct, select **YES** and then press the **OK** button.




**18** If the edge of the roll paper has folds, press the  button to cut the edge.

**19** When using the paper basket, set it in the forward or backward position.

If you are using Epson Stylus Pro 9900/9910, you can also use the optional Auto Take-up Reel Unit.

 See "Using the paper basket and paper guides" on page 42

 See "Using Auto Take-up Reel Unit (For Epson Stylus Pro 9900/9910 only)" on page 46

## Cutting the roll paper

There are two ways to cut the roll paper.

Method	Operation
Auto cut	Cut the roll paper after printing each page automatically.
Manual cut	Cut the roll paper manually, or cut the roll paper using cutter sold at a store.

**Note:**



- Some of the roll paper may not be cut using the built-in cutter. Use a cutter sold at a store to cut the paper.
- It may take a while to cut the roll paper.

## Setting the cutting method

Before printing, select the cutting method.

### Printing from the printer's control panel (such as printing a status sheet)

Press the ◀ button to select cutting method.

Icon	Explanation
	Roll Auto Cut On
	Roll Auto Cut Off

### Printing from the computer

Set the Auto Cut setting in the Roll Paper Option dialog box of the printer driver.

## Cutting the roll paper after printing

### Cutting the roll paper automatically

Cut the roll paper automatically after printing each page.

### Cutting the roll paper manually

To cut the roll paper manually, follow the steps below.

- 1** When printing is complete, adjust the cutting position by pressing the ▼ button.
- 2** Press the ✂ button. When the selection menu appears, select CUT by using the ▲ or ▼ button, and then press the OK button.

The paper is cut by the built-in cutter.

**Note:**

If the paper cannot be cut by the built-in cutter, press the ▼ button so the printer automatically feeds the paper to the position where you can cut it manually. Cut the paper using the cutter.



## Paper Handling

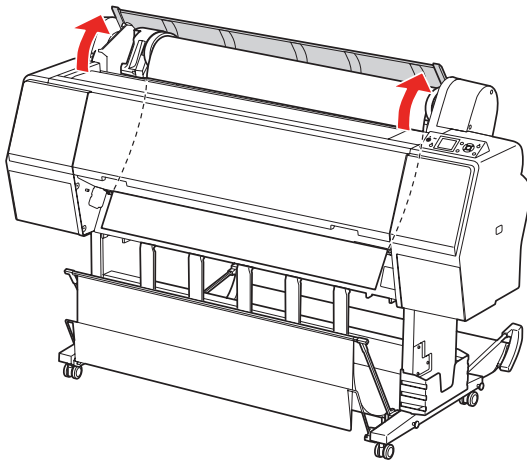
### Removing the roll paper

**Note:**

We recommend that you remove the roll paper from the printer after printing. If the paper roll is left in the printer, the roller for securing the paper may leave a mark on the surface of the paper.

**1** Make sure the printer is turned on.

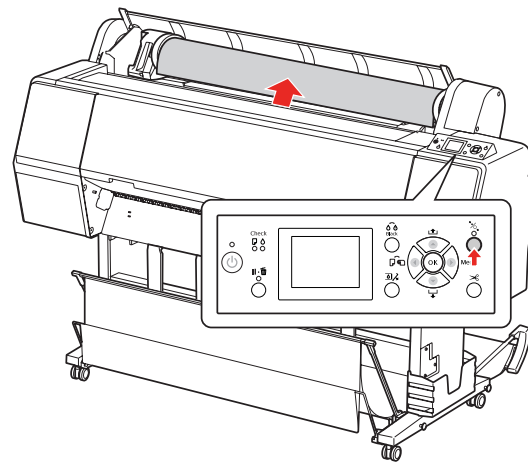
**2** Open the roll paper cover.



**3** Press the  button to release the paper presser.

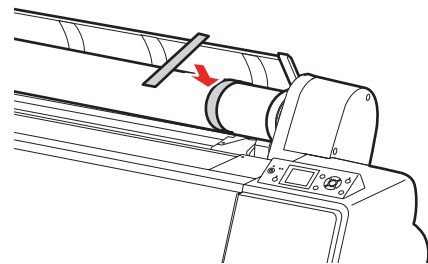
The roll paper is rewound automatically if the printer state is after the paper cut but in the READY state. However, when using the optional Auto Take-up Reel Unit, the printer does not rewind the roll paper.

Rewind the roll paper manually, if it is not automatically done.



**Note:**

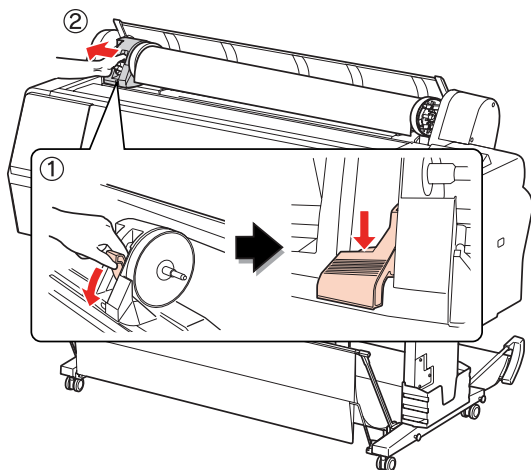
When you are not using the roll paper, wrap it using the optional roll paper belt.



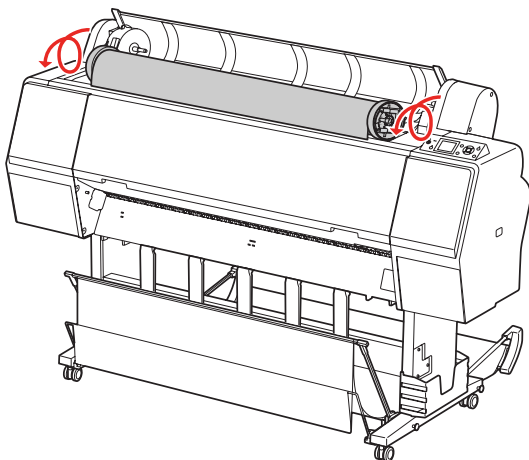


## Paper Handling

- 4** To unlock the adapter holder, push the lock lever of the adapter holder down firmly. Move the adapter holder to the left with the handle until the end. Then take it off from the holder axis.

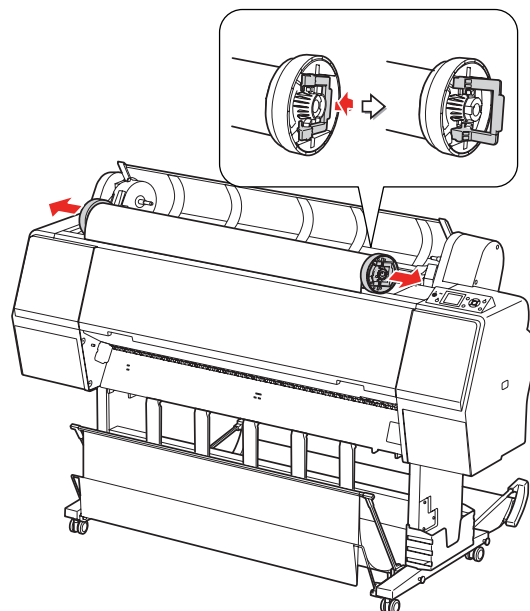


- 5** Roll over the paper roll to the front side, and then place it in the gap on the top face of the printer.



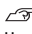

- 6** Pull up the lock lever of the adapter to unlock. Then remove the roll media adapter from the paper roll.

After rewinding the roll paper carefully, place it in the original bag that it came in when you purchased it.



## Using Cut Sheet Media

The procedures differ depending on your paper size and thickness.

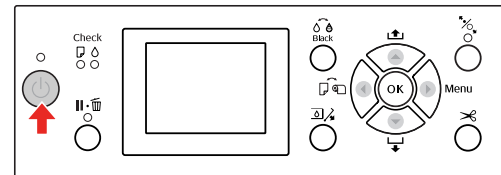
Paper	Refer to
Smaller than A3 size	 "Loading cut sheet smaller than A3 size" on page 38
A3 or larger or thick paper	 "Loading cut sheet A3 size or larger / thick paper" on page 39

### Note:

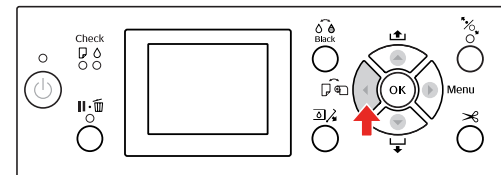
- ❑ Flatten the paper before loading it in the printer. If paper that is wavy or slack is loaded, the printer may not recognize the paper size correctly or may not print normally. Also, we recommend that you repack the paper in its original package and store it flat, only taking it out of the bag just before you use it.
- ❑ If roll paper is loaded, rewind it first before loading single sheet paper.
- ❑ When you use paper other than Epson special media, see the instructions included with the paper, or contact your supplier for more information.

## Loading cut sheet smaller than A3 size

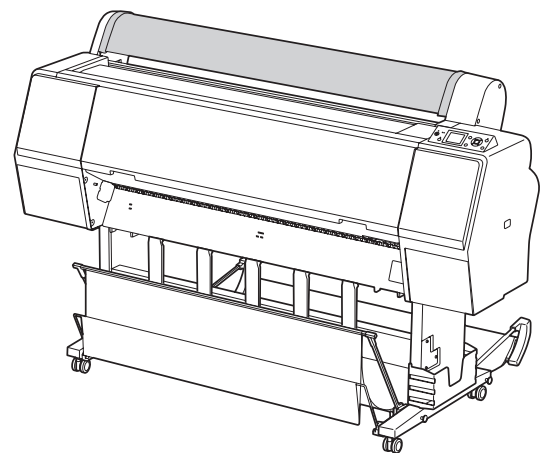
- 1 Turn on the printer by pressing the  button.



- 2 Press the  button repeatedly until Sheet  appears.



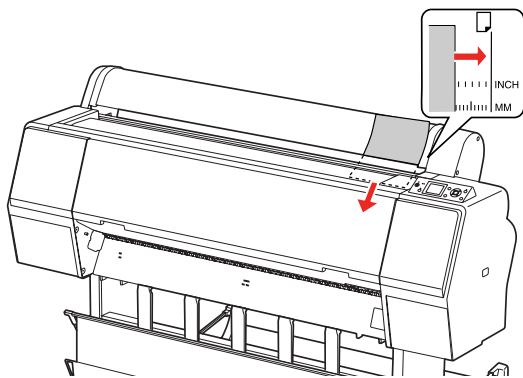
- 3 Make sure that the roll paper cover is closed.



Paper Handling

- 4 Load the sheet into the paper insertion slot until it meets resistance.

Align the right edge of the paper with the setting position, and then insert the paper until it meets resistance. When using paper sizes A4 or below, set the paper until it reaches the bottom along the line on the metal part under the paper insertion slot. PRESS THE ▼ BUTTON appears on the LCD panel.

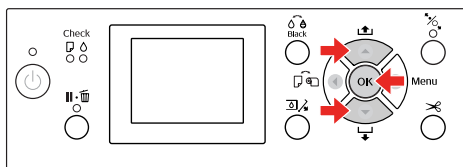


**Note:**  
Load the sheet vertically, like most magazines.

- 5 Press the ▼ button. The paper moves to the start position.

- 6 If ARE THESE SETTINGS OK? appears on the LCD panel, press the ▲ or ▼ button to select NO and then press the OK button. Set the media type and paper remaining, and then press the OK button to set the media.

The previous setting appears on the LCD panel. If the media type and paper remaining are correct, select YES and then press the OK button.



- 7 If you use the paper basket, set it backward position.

See "Using the paper basket and paper guides" on page 42

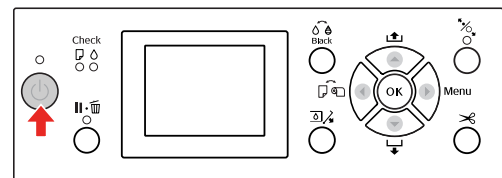
### Loading cut sheet A3 size or larger / thick paper

When you load a cut sheet media A3 or larger or thick paper (0.5 to 1.5 mm), follow the steps below.

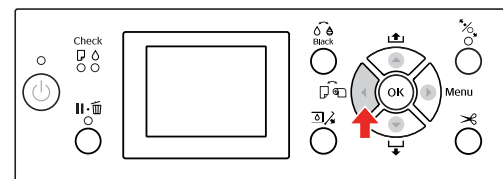
Setting direction of the paper is as indicated below.

Paper	Direction
A3 or larger cut sheet (with thickness of 0.5 mm or less)	Vertical
Thick paper with length of 728 mm or less	Vertical
Thick paper with length of 728 mm or longer	Horizontal

- 1 Turn on the printer by pressing the power button.

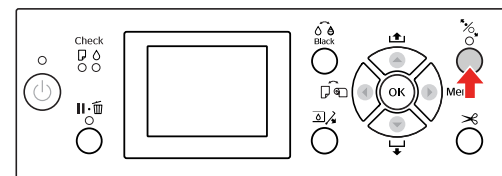


- 2 Press the left arrow button repeatedly until Sheet appears.



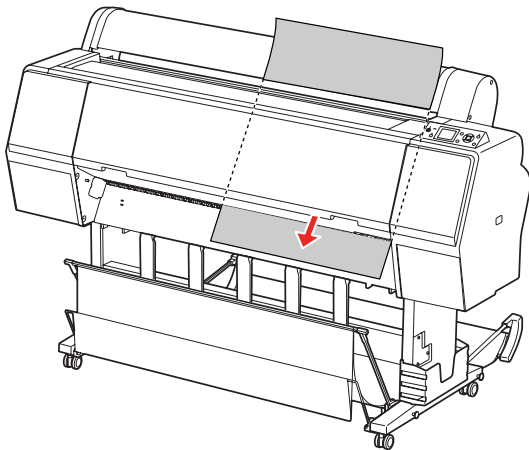
- 3 Make sure that the roll paper cover is closed.

- 4 Press the paper size button.



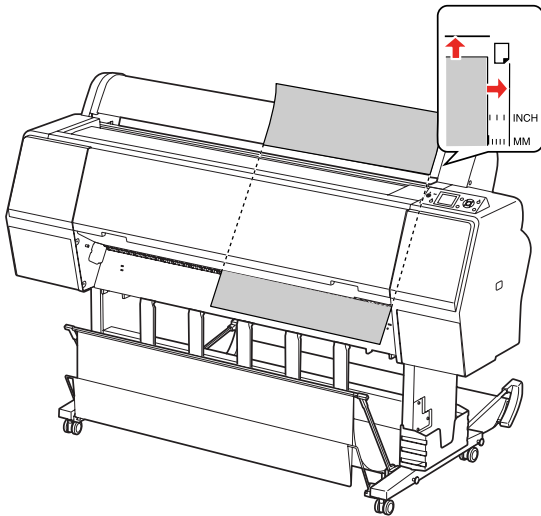
## Paper Handling

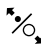
- 5** Load the sheet into the paper insertion slot.

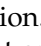


- 6** Make sure that the right and bottom edges of the sheet are straight and in line with the set line.

If you have difficulty adjusting the thick paper, adjust the paper suction by pressing the ▲ or ▼ button.

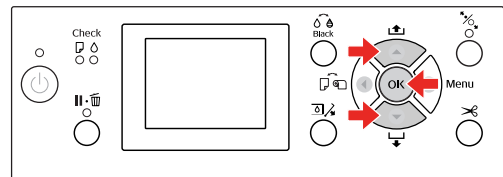


- 7** Press the  button.


After a few seconds, the paper moves to the start position. If you press the  button, it moves at once.

- 8** If ARE THESE SETTINGS OK? appears on the LCD panel, press the ▲ or ▼ button to select NO and then press the OK button. Set the media type and paper remaining, and then press the OK button to set the media.

The previous setting appears on the LCD panel. If the media type and paper remaining are correct, select YES and then press the OK button.



- 9** If you use the paper basket, set it in the forward position.

 See "Using the paper basket and paper guides" on page 42

## Ejecting Paper

This section explains how to eject paper after printing.

**Note:**

When you use the paper basket, see the following section.

☞ "Using the paper basket and paper guides" on page 42

When you use optional Auto Take-up Reel Unit, see the following section.

☞ "Using Auto Take-up Reel Unit (For Epson Stylus Pro 9900/9910 only)" on page 46

### For roll paper

See the following section to cut the roll paper.

☞ "Cutting the roll paper" on page 35

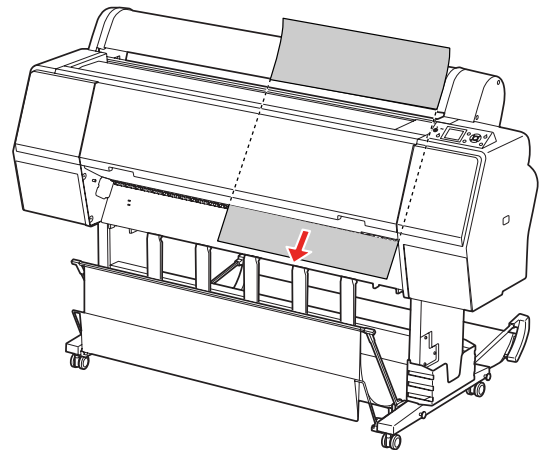
### For cut sheet media

**1** When printing is complete, the printer supports the printed media, and PAPER OUT. LOAD PAPER is displayed on the LCD panel.

If READY appears on the LCD panel, press the ▼ button to feed the paper.

**! Caution:** Do not press any buttons when the Power light or the Pause light is flashing.

**2** Press the ▼ button to remove the paper.

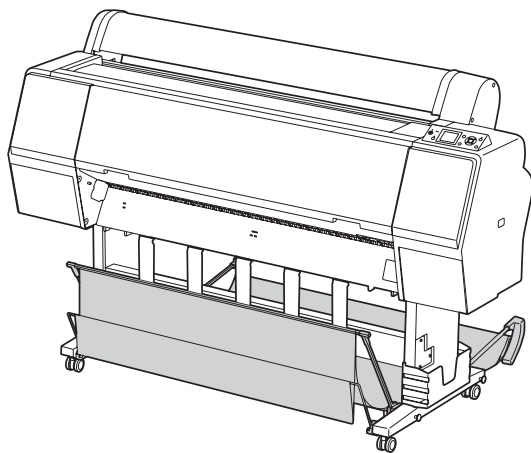


**! Caution:** The paper may fall after ejecting. Be sure to hold the paper to avoid falling and damaging the paper.

## Using the paper basket and paper guides

To avoid your prints getting dirty or crinkled, set the paper basket as explained below. The feeding direction is different depending on the media type.

Direction	Epson Stylus Pro 9900/9910	Epson Stylus Pro 7900/7910
Forward	Paper length: 1580 mm or longer Paper thickness: 0.5 mm or more	Paper length: 914.4 mm or longer Paper thickness: 0.5 mm or more
Backward	Paper length: Less than 1580 mm Paper thickness: Less than 0.5 mm	Paper length: Less than 914.4 mm Paper thickness: Less than 0.5 mm



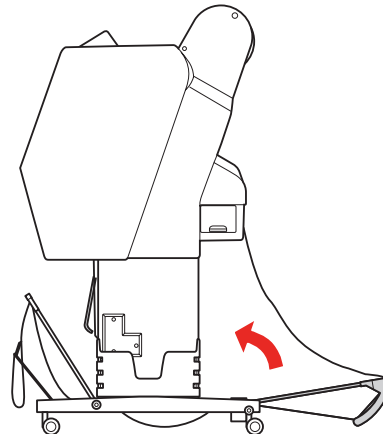
**Note:**

*Ejecting your prints in the wrong direction may cause dirty or crinkled prints.*

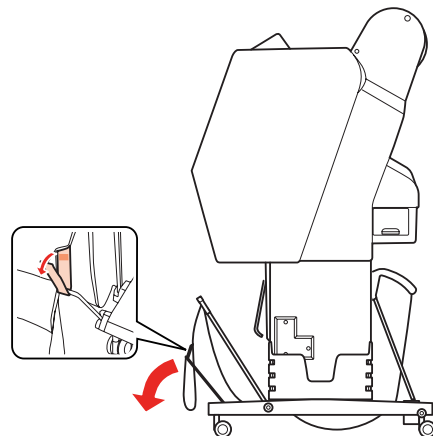
## When feeding paper forward

The paper guides keep the ejected prints straight. This section explains how to switch the status from feeding paper backward to feeding paper forward.

- 1 For Epson Stylus Pro 9900/9910, bring the rear basket up to the vertical position.

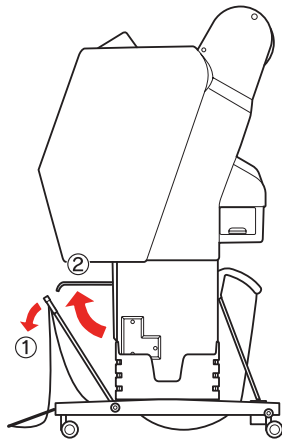


- 2 Remove the hook-and-loop fastener straps of the front basket, and tilt it down.



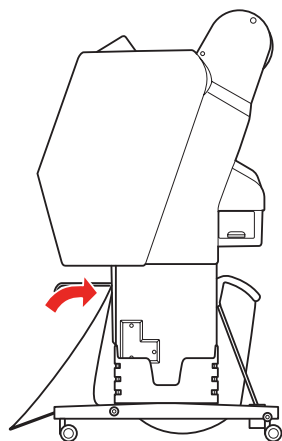
## Paper Handling

- 3** Slightly tilt the front paper basket to set the paper guides to the horizontal position.

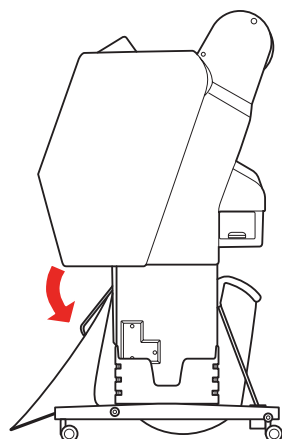


- 4** Bring the paper basket to the vertical position.

This makes the basket cloth tight.



- 5** In order to parallelize the basket cloth, move the paper guides.



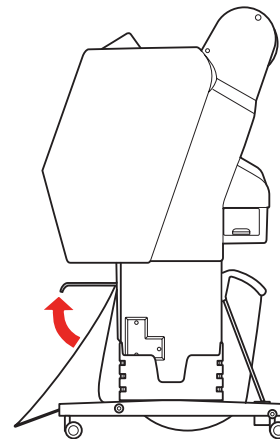
### When feeding paper backward

Feed the prints backward and store them in the paper basket. This section explains how to switch the status from feeding paper forward to feeding paper backward.

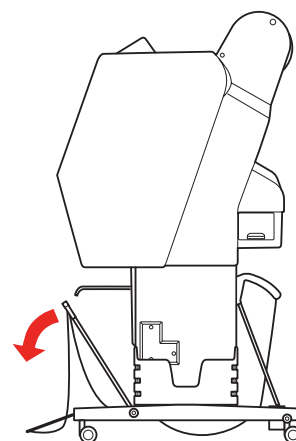
**Note:**

*Do not stack more than one print in the paper basket. If you stack multiple prints, the space between the paper supports and paper basket becomes narrow. This may cause a paper feed error.*

- 1** Bring the paper guides to the horizontal position.

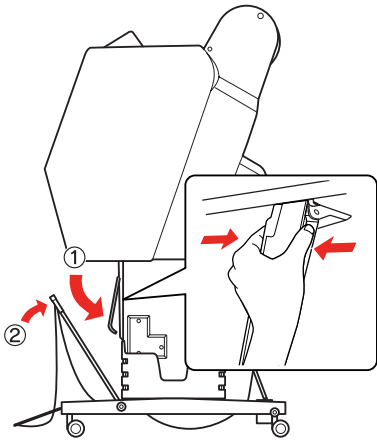


- 2** Tilt the front paper basket slightly down from the fixed position.



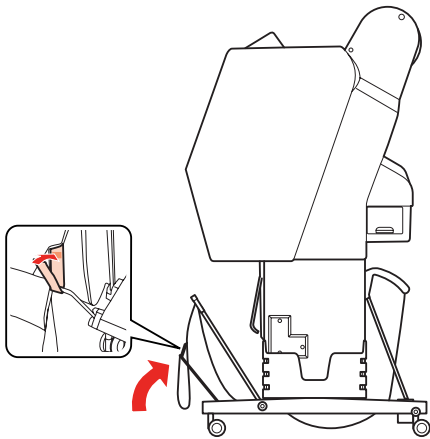
Paper Handling

- 3** Move the paper guides to the vertical position, and then bring the front basket back as far as it goes.



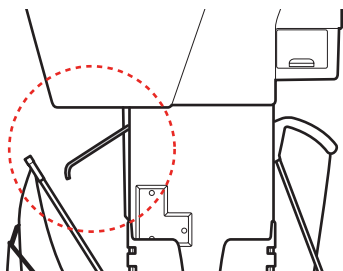
- 4** Bring the front paper basket up and fasten it with the hook-and-loop fastener straps.

Be sure to fasten the hook-and-loop fastener upward.



**Note:**

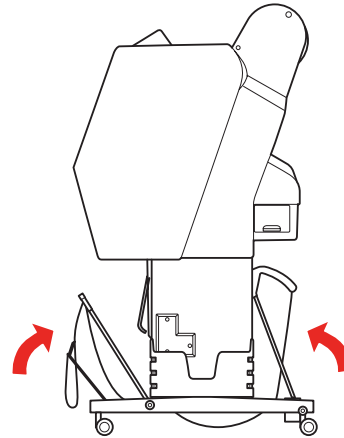
*If you are concerned about the print quality when printing on Doubleweight Matte Paper or Enhanced Matte Paper, try to set the paper guides in the front direction.*



- 5** For Epson Stylus Pro 9900/9910, switch the position of the rear paper basket depending on the paper size.

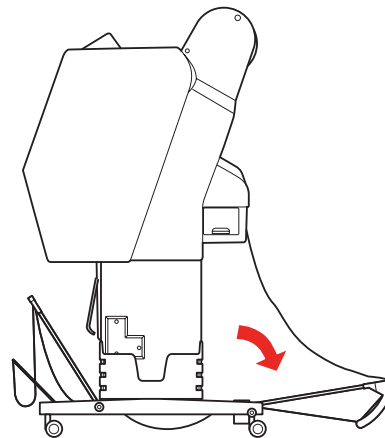
**If the paper is A1 or smaller:**

Lift both the front and rear baskets as shown below.



**If the paper is larger than A1 size:**

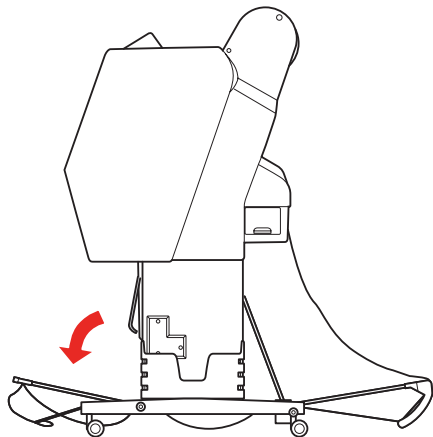
Tilt the rear basket until parallel to the floor during printing.





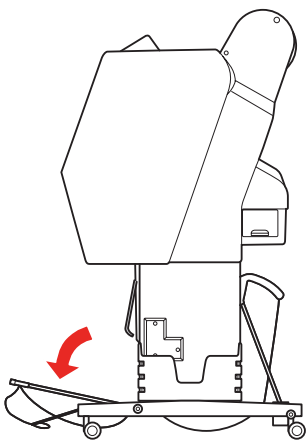
## Paper Handling

Tilt the front basket until parallel to the floor when ejecting your prints.



**Note:**

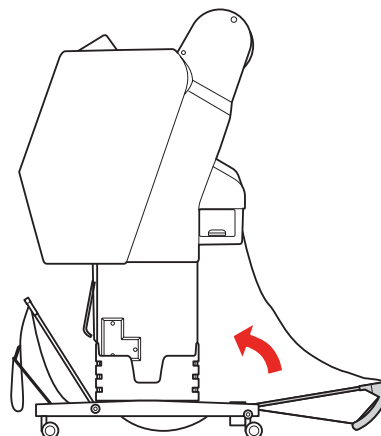
When printing on Enhanced Matte Paper, you can stack plural prints on the front basket by tilting it until parallel to the floor. The quality of the prints may not be assured, including scratches or dirty appearing.



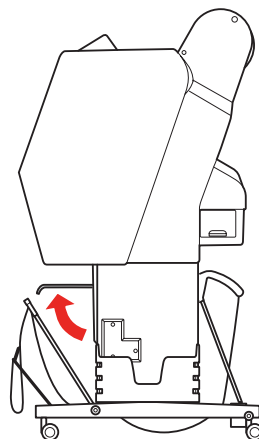
## Storing the paper basket

If the paper basket is not used, bring the front basket up to the vertical position. This section explains how to switch the status from feeding paper backward status to storing paper basket.

- 1 For Epson Stylus Pro 9900/9910, bring the rear basket up to the vertical position.

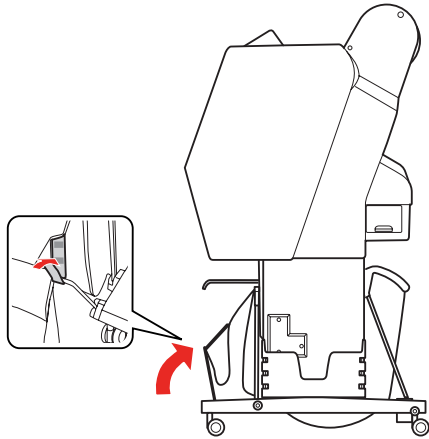


- 2 Bring the paper guides to the horizontal position.

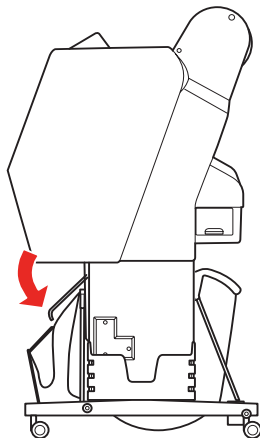


## Paper Handling

- 3** Remove the hook-and-loop fastener straps, and refasten it downward. Then bring the front paper basket up to the vertical position.



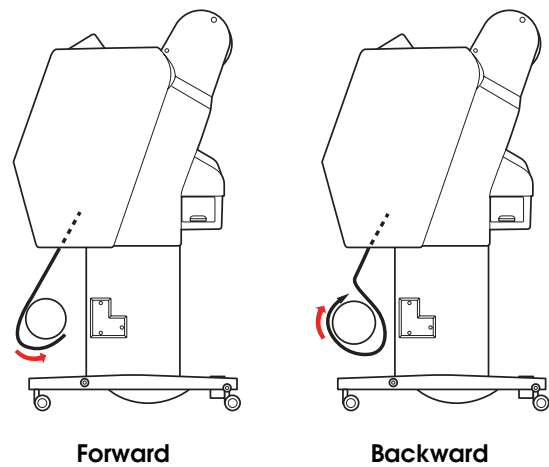
- 4** Tilt the paper guides.



## Using Auto Take-up Reel Unit (For Epson Stylus Pro 9900/9910 only)

When you want to print your data on roll paper and do not want to cut it or feed it out onto the floor, you can use the optional Auto Take-up Reel Unit to roll up your print.

You can wind the roll paper forward or backward.



**Warning:**

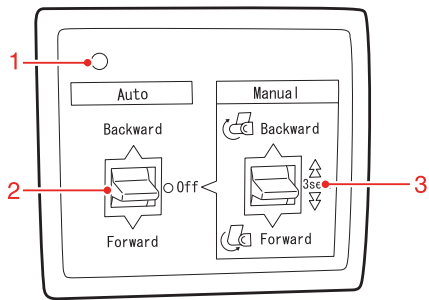
Make sure the take-up reel unit is installed properly and securely. Bodily injury may occur if it falls.

**Note:**

- ❑ Make sure that the leading edge of the roll paper is straight; otherwise, the Auto Take-up Reel Unit does not take up the roll paper correctly. *☞ See "Cutting the roll paper" on page 35*
- ❑ See the Auto Take-up Reel Unit Setup Guide for detailed information on installing the Auto Take-up Reel Unit.
- ❑ When using Doubleweight Matte Paper or Singleweight Matte Paper, wind the roll paper forward.
- ❑ When using Singleweight Matte Paper with a 24-inch width or wider, use the Tensioner that comes with the Auto Take-up Reel Unit to ensure the print quality. *☞ See "Winding paper forward" on page 47*

Paper Handling

Control box



**1. Sensor light**  
Displays the status of the Auto Take-up Reel Unit.

Light	Status
On	It is ready to use.
Flashing rapidly	It is operating.
Flashing slowly	It is in the power-saving mode.
Long interval of flashing	It has an error.
Off	It is off.

**2. Auto switch**  
It automatically winds the roll paper after printing.

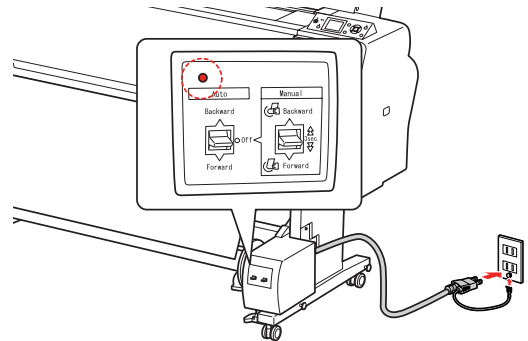
Item	Description
Backward	It automatically winds the roll paper with printed surface inside.
Forward	It automatically winds the roll paper with printed surface outside.
Off	Do not rewind the roll paper.

**3. Manual switch**  
It manually winds the roll paper after printing. This mode becomes available when the **Auto** switch is Off.

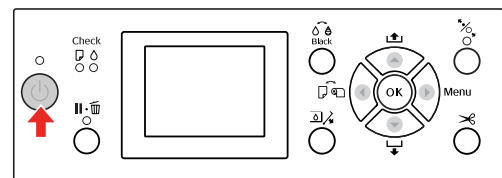
Item	Description
Backward	It winds the roll paper with printed surface inside. It becomes faster by pressing this button for 3 seconds.
Forward	It winds the roll paper with printed surface outside. It becomes faster by pressing this button for 3 seconds.

Winding paper forward

**1** Plug the power cord into an outlet (100 V AC), and make sure the sensor light is on.

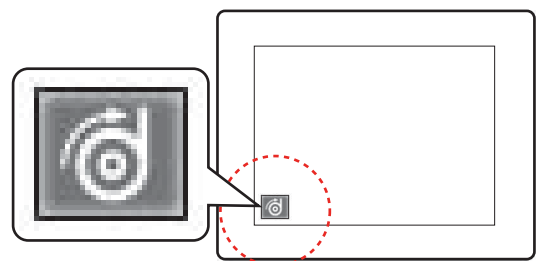


**2** Turn on the printer by pressing the power button.



**3** Make sure the Auto Take-up Reel Unit icon is displayed on the LCD panel.

If the icon is not displayed, make sure the Auto Take-up Reel Unit is connected properly and the power is on.



**4** Set the roll paper.

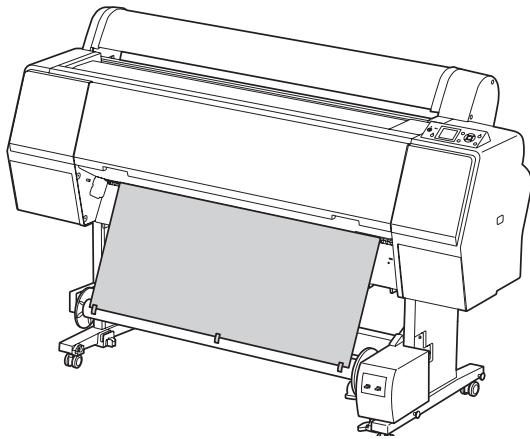
See "Loading roll paper" on page 31

**5** Press the left button to select Roll Auto Cut Off or Roll Auto Cut On.

**6** Press the down button to feed the roll paper.

## Paper Handling

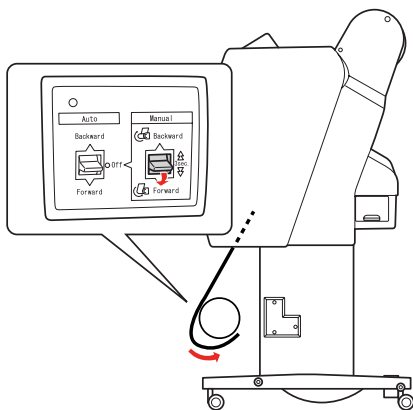
- 7** Tape the leading edge of the roll paper to the take-up reel core in three places.



- 8** Press the ▼ button to feed the paper forward and create a loop of slack.

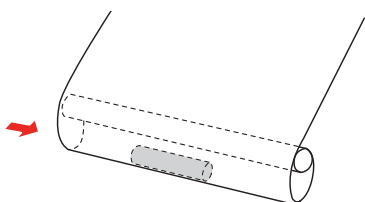
- 9** Set the **Manual** switch to **Forward** and hold it for a while to take up the roll paper for three or more revolutions of the take-up paper core.

After taking up the paper, ensure that there is adequate slack between the roll paper and the take-up reel core.



**Note:**

For Singleweight Matte Paper with a 24-inch width or wider, place the Tensioner in the slack of the roll paper. Make sure to place it in the center of the roll paper.

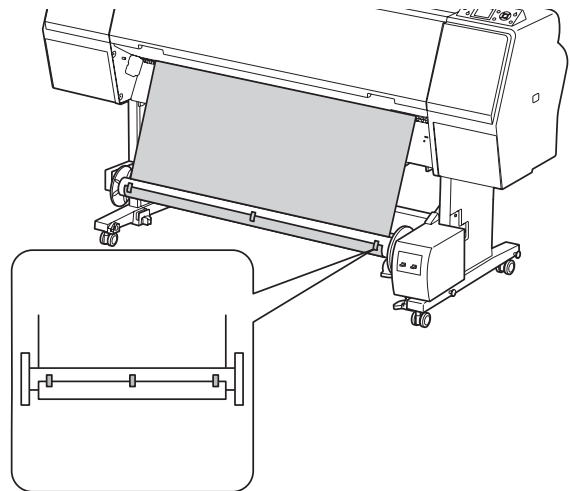


## Winding paper backward

- 1** Turn on the printer, and then pull out the roll paper. See step 3 to 6 of the following section.

➔ “Winding paper forward” on page 47

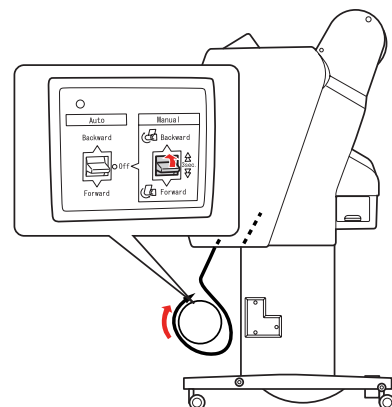
- 2** Pull the bottom of the roll paper around the back of the reel core as shown below. Then tape the leading edge of the paper to the reel core in three places.



- 3** Press the ▼ button to feed the paper forward and create a loop of slack.

- 4** Set the **Manual** switch to **Backward** and hold it for a while to take up the roll paper for three or more revolutions of the take-up paper core.

After taking up the paper, ensure that there is adequate slack between the roll paper and the take-up reel core.



## Paper Handling

### Taking up your prints

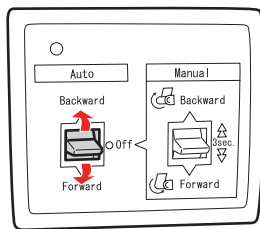
When the Auto Take-up Reel Unit is installed, and the take-up reel core is loaded with paper to take up in the desired direction, you can use the unit to take up your prints.



**Warning:**

Do not touch the Auto Take-up Reel Unit while it is operating. Doing so may result in injury.


- 1 Set the **Auto** switch to **Forward** or **Backward**.



- 2 Send a print job to the printer.

The printer starts printing. The Auto Take-up Reel Unit takes up the roll paper in the direction you set in step 1.

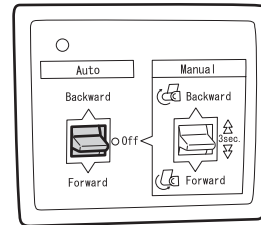
**Note:**

When printing by using the Roll Auto Cut On , set the **Auto** switch of the Auto Take-Up Reel Unit to **Off**, otherwise the printer does not cut the paper. You can set the **Auto** switch to **Off** during printing to cut the paper automatically.


### Removing paper after take-up

After paper take-up, follow the steps below to remove the take-up reel core.

- 1 Set the **Auto** switch to **Off**.

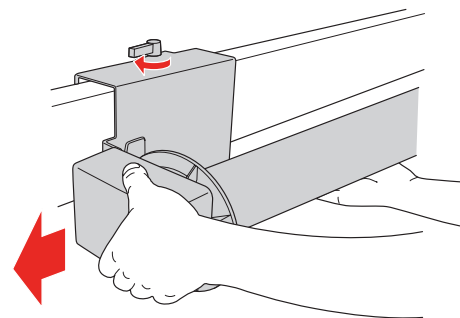


- 2 Cut the roll paper.

- ❑ Press the  button to cut the roll paper.
- ❑ If the roll paper cannot be cut with the built-in cutter, use a scissors or cutter sold at a store.

- 3 Turn the lever to unlock the movable unit, and then slide it to the left so that the flange knob clears the end of the take-up reel core.

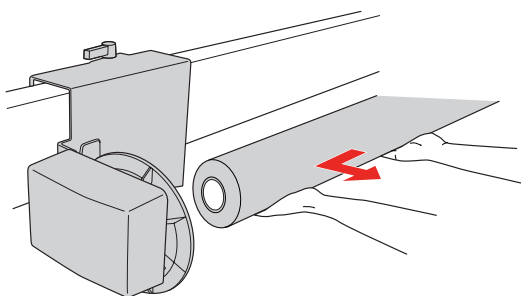
While doing this, support the take-up reel core with one hand to keep it from falling.



## Paper Handling

- 4** Remove the take-up reel core from the flange knob on the movable unit and the drive unit.

**! Caution:**  
The paper roll is heavy so have two people hold it by both ends of the paper roll.

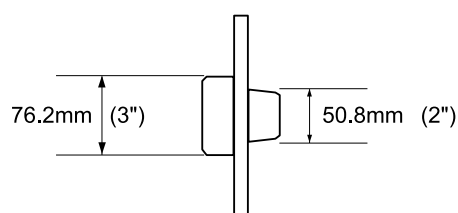


### Using the core from a used paper roll as a take-up reel core

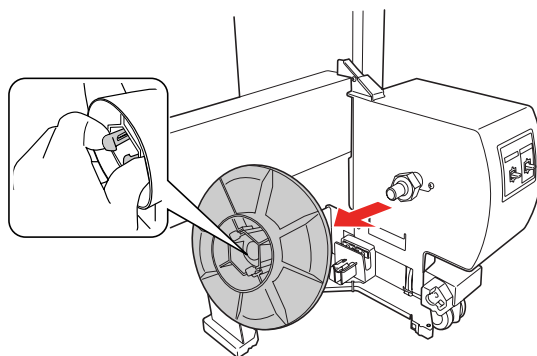
You can use a used paper roll as the take-up reel core.

**Note:**  
If the paper roll core is deformed or damaged, it cannot be used as a take-up reel core.

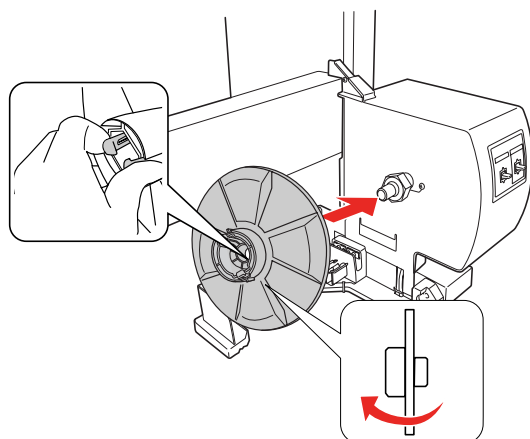
The installation of the flange to the Auto Take-up Reel Unit varies depend on the core size of the paper.



- 1** Remove the flange by pinching the knob.

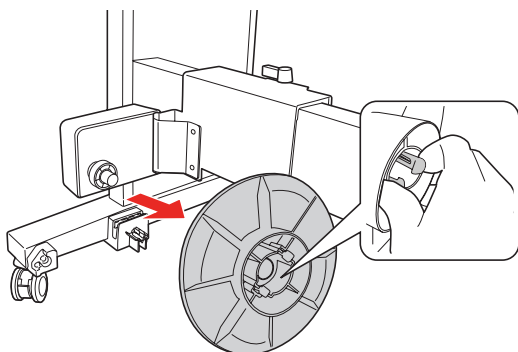


- 2** Reverse the flange so that the smaller knob is positioned on the outside, then replace it on the drive unit by pinching the knob.

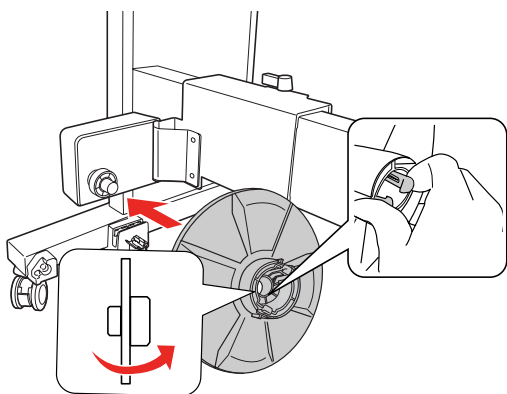


## Paper Handling

- 3** Remove the flange by pinching the knob.



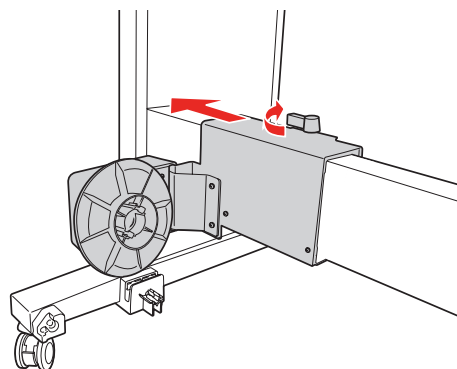
- 4** Reverse the flange so that the smaller knob is positioned on the outside, then replace it on the movable unit by pinching the knob.



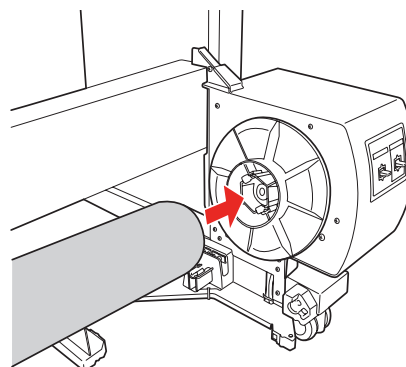
## Installing a take-up reel core

The method of installing the take-up reel unit is the same for both 2-inch and 3-inch reel cores.

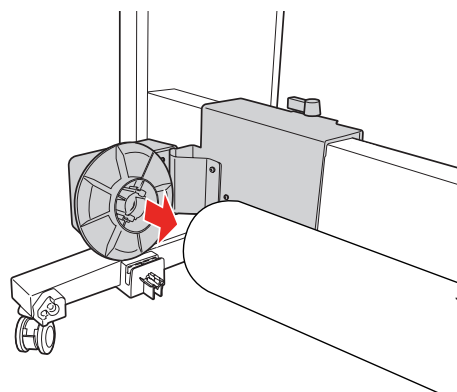
- 1** Make sure that the lock lever is released (turned to the left). Slide the movable unit to the left end of the horizontal strut.



- 2** Slip one end of the take-up reel core over the flanged knob on the drive unit.



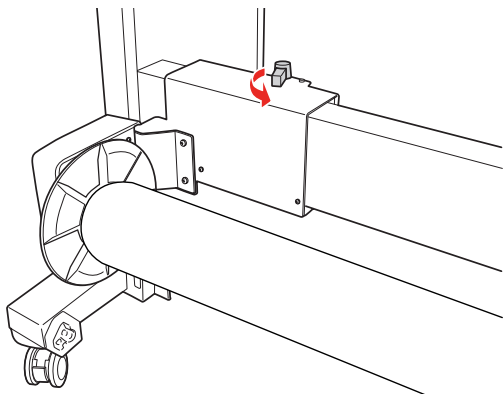
- 3** Insert the flanged knob on the movable unit into the other end of the take-up reel core.



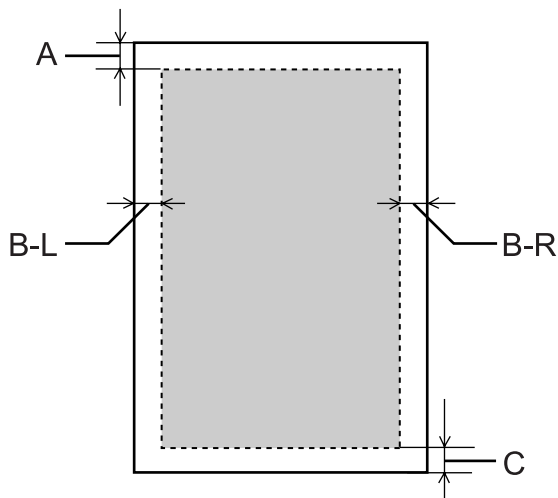
Paper Handling

- 4 Turn the lock lever to the front to lock the movable unit.

Make sure the take-up reel unit is locked properly and firmly.



Printable area



<b>A</b>	Roll paper	The minimum top margin is 3.0 mm (0.12")
	Cut sheets	The minimum top margin is 3.0 mm (0.12")
<b>B-L</b>	Roll paper	The minimum left margin is 0.0 mm (0")
	Cut sheets	The minimum left margin is 0.0 mm (0")
<b>B-R</b>	Roll paper	The minimum right margin is 0.0 mm (0")
	Cut sheets	The minimum right margin is 0.0 mm (0")
<b>C</b>	Roll paper	The minimum bottom margin is 3.0 mm (0.12")
	Cut sheets	The minimum bottom margin is 14.0 mm (0.55")

For roll paper, the following margin widths can be selected using the control panel.

☞ See "PRINTER SETUP" on page 21

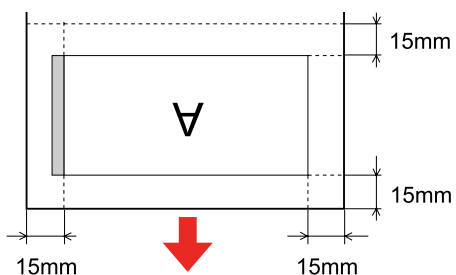


## Paper Handling

Parameter	A	B-L	B-R	C
TOP/ BOTTOM 15mm	15mm	3mm	3mm	15mm
TOP35/ BOTTOM 15mm	35mm	3mm	3mm	15mm
15mm	15mm	15mm	15mm	15mm
3mm	3mm	3mm	3mm	3mm

**Note:**

- ❑ *The print area does not change even when the margins are changed.*
- ❑ *The printer automatically detects the dimensions of the paper that is loaded. Print data that exceeds the printable area of the paper cannot be printed.*
- ❑ *When the same data is printed with a 3-mm margin and a 15-mm margin and compared, you may notice that part of the right side of the 15-mm margin image is not printed.*



# Basic Settings

## Print Settings

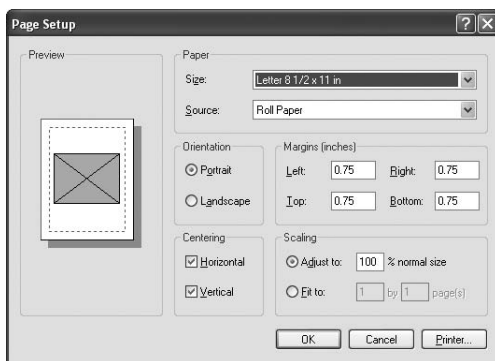
This section describes how to print your data from an application using the Epson printer driver.

## Printing procedures (Windows)

### Making the paper settings

- 1 Start your application.
- 2 From the File menu, select **Page Setup** (or the paper setting menu such as **Print**.)
- 3 Make the settings such as paper size in the Page Setup dialog box.

Example: Paint

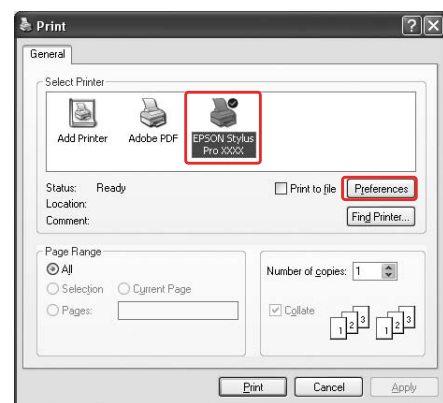


**Note:**  
The dialog box may differ depending on the application. See its online help for the details.

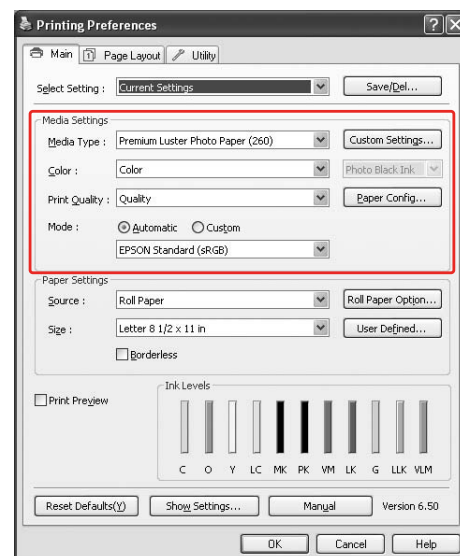
- 4 Click **OK** to close the dialog box.  
Then, create a print data.

### Making the printer driver settings

- 1 Turn on the printer, and set the paper in the printer.  
  
➤ See "Paper Handling" on page 30
- 2 From the File menu, select **Print** or **Page Setup**.
- 3 Make sure your printer is selected, and click **Printer, Setup, Options, Properties, or Preferences**.



- 4 Select the media type, color, or print quality according to the paper loaded in the printer.

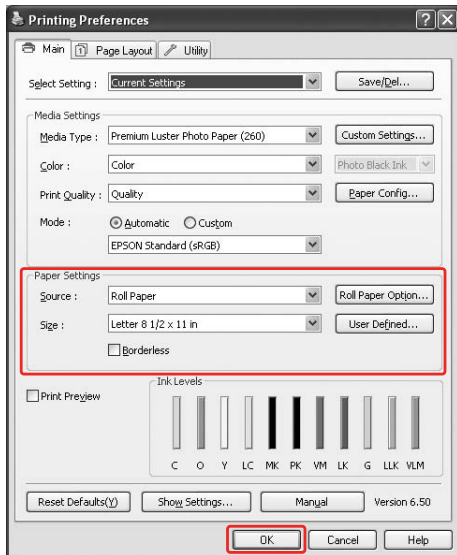


## Basic Settings

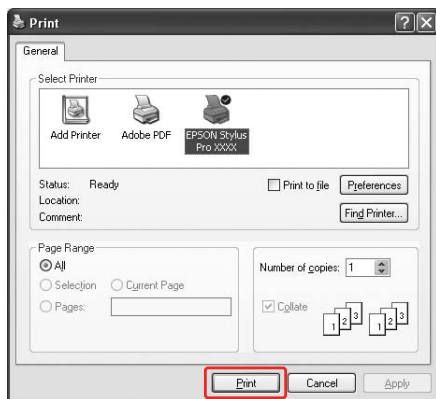
- 5** Select the paper source and paper size according to the paper loaded in the printer.

After making the settings, click **OK**.

Make sure to select the same paper size as you set in the application.



- 6** Click **Print**.



The progress meter appears on your display, and printing will be started.

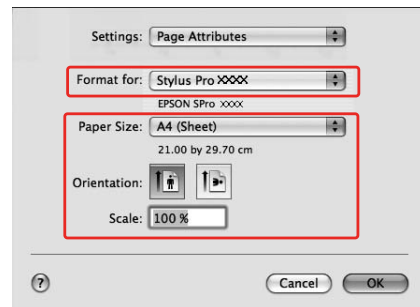
## Printing procedures (Mac OS X)

### Making the paper settings

- 1** Start your application.
- 2** From the File menu, select **Page Setup** (or the paper setting menu such as **Print**.)
- 3** Select the printer, and then make the settings.

The list of available paper appears in the Paper Size list. Select the appropriate paper size.

➔ See “Selecting the paper size” on page 56



- 4** Click **OK** to close the dialog box.  
Then, create a print data.


## Basic Settings

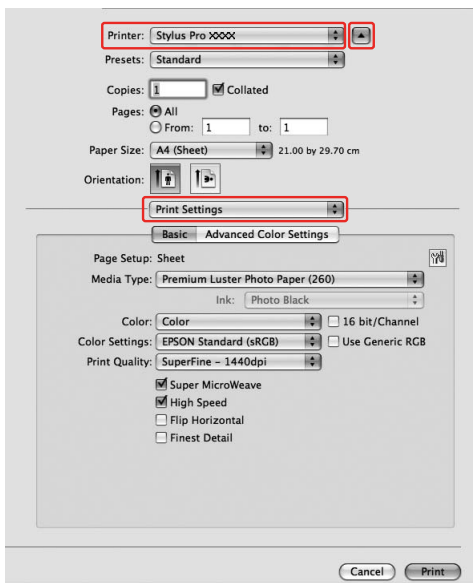
## Selecting the paper size

	Paper Size *XXXX is the paper size.	Explanation
Roll paper	XXXX Roll Paper - Banner	Select this size when using a banner printing application. This prints no margins on the top and bottom and a 3-mm margin on the right and left sides.
	XXXX Roll Paper - Borderless (Auto Expand)	Select this size when performing borderless printing on the roll paper. In the borderless printing for Auto Expand, the printer driver enlarges the size of print data 3 mm on both the right and left sides. You can change the amount of enlargement in the Expansion setting. The size of print data also enlarges on the top and bottom sides at an equal rate. This enlarges the size of print data automatically so that you can perform borderless printing easily. Enlarged areas that exceed the paper size will not be printed on the paper.
	XXXX Roll Paper - Borderless (Retain Size)	Select this size when performing borderless printing on roll paper. The printer driver prints without changing the ratio of the print data. It does not enlarge the image data. You need to enlarge 3 mm on both the left and right sides of the data by using the application that created it in advance.
	XXXX Roll Paper - Borderless Banner	Select this size when performing borderless printing by using an application that supports banner printing. The printer driver enlarges the print area 3 mm on both the left and right for the width of the paper. Since it does not enlarge the print data, the sizes on the top and bottom are printed at the size you created. However, you need to create the data exceeding 3 mm on both the right and left sides in advance. This setting has no margin on the top and bottom sides.
Cut sheet	XXXX Sheet - Borderless (Auto Expand)	Select this size when performing borderless printing on both the right and left sides of a single cut sheet. In the borderless printing for Auto Expand, the printer driver enlarges the size of print data 3 mm on both the right and left sides. You can change the amount of enlargement in the Expansion setting. The size of print data is also enlarged on the top and bottom sides at an equal rate. This enlarges the size of print data automatically so that you can perform borderless printing easily. Enlarged areas that exceed the paper size on both the right and left sides will not be printed on the paper. In addition, a 3-mm margin on the top and a 14-mm margin on the bottom appear.
	XXXX Sheet - Borderless (Retain Size)	Select this size when performing borderless printing on both the right and left sides of a single cut sheet. In Retain Size, the driver performs borderless printing without enlarge the print data. You need to create the data exceeding 3 mm on both the right and left sides in advance. While the margin sizes on the top and bottom are printed at the size you created, a 3-mm margin on the top and a 14-mm margin on the bottom appear.

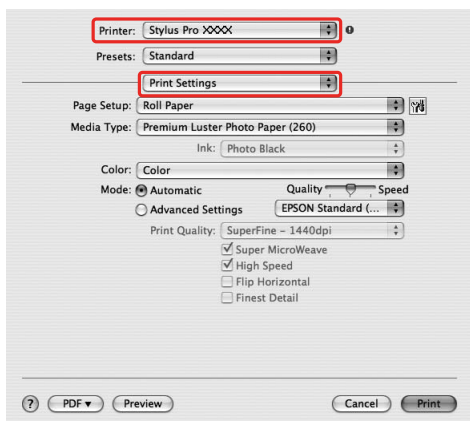
## Basic Settings

### Making the printer driver settings

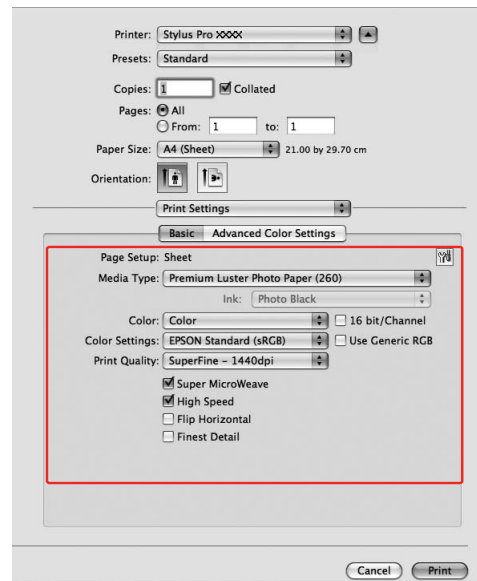
- 1 Turn on the printer, and set the paper in the printer.  
 See "Paper Handling" on page 30
- 2 Click **Print** on the File menu of your application.
- 3 Select the printer, then click the  button, and then select **Print Settings** from the list.



For Mac OS X 10.3.9 to 10.4, select the printer, and then select **Print Settings** from the list.

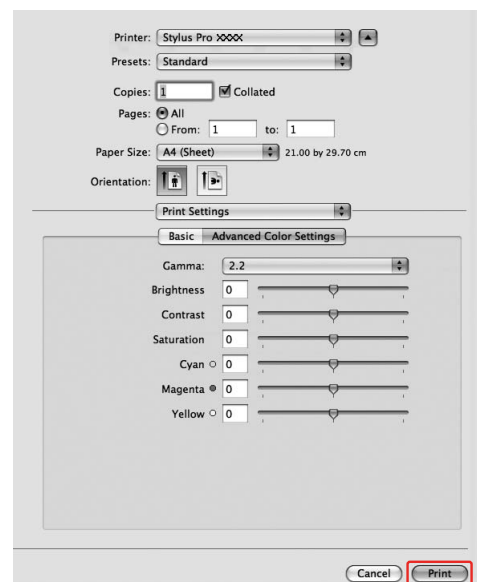


- 4 Make the settings.



Select the same media type that you loaded in the printer. Normally, you can print correctly just by making the settings in the Print Settings dialog.

- 5 Make the settings as necessary, and then click **Print** to start printing.

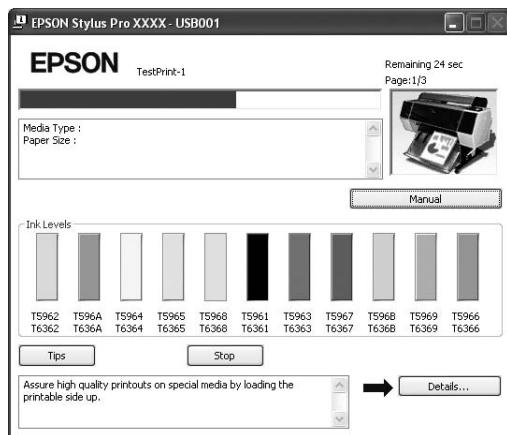


Basic Settings

## Checking the printer status

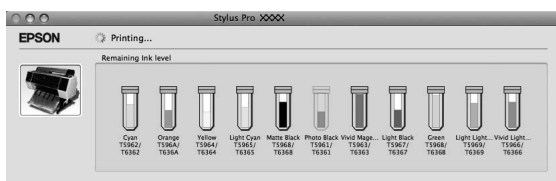
### For Windows

The Progress Meter appears on your display when you start printing. It indicates the progress of the current print job and provides printer status information such as ink remaining and product number of the ink cartridges. Also, you can cancel a print job using Progress Meter.

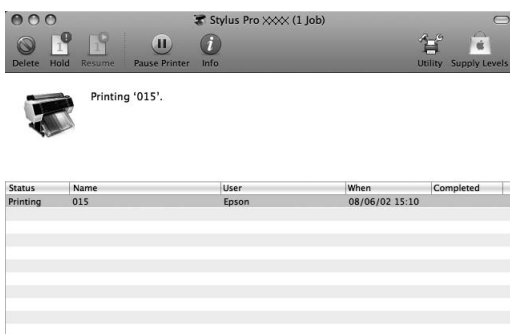


### For Mac OS X

For Mac OS X 10.5, the EPSON Printer Monitor appears on your display when you start printing. It indicates the progress of the current print job and provides printer status information such as ink remaining and product number of the ink cartridges.



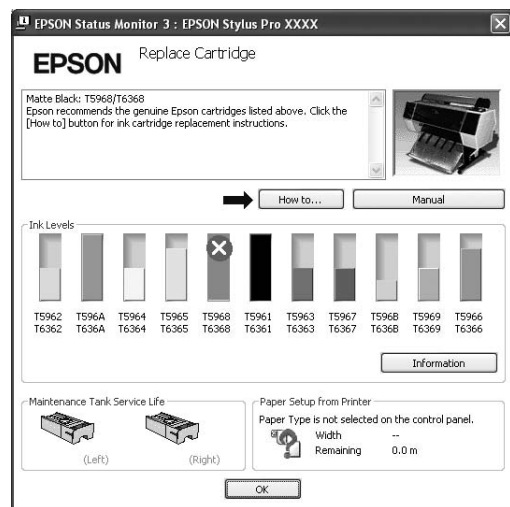
The printer icon appears in the Dock. By clicking the printer icon, you can check the progress of the current print job and its printer status information. You can also cancel a print job.



## When problem occurs during printing

### For Windows

If a problem occurs during printing, an error message appears in the EPSON Status Monitor 3 window. Click **How to**, and EPSON Status Monitor 3 will lead you step by step through a procedure to solve a problem.



### For Mac OS X

If a problem occurs during printing, an error message appears. Click **How to**, and EPSON StatusMonitor will lead you step by step through a procedure to solve a problem.



Basic Settings

# Canceling Printing

There are a few ways to stop the print operation depending on the situation.

### While sending data

Cancel using computer	Cancel using printer	Operation
✓	-	Select the data that you want to cancel using the computer.

### While sending or printing data

✓	✓	<ul style="list-style-type: none"> <li><input type="checkbox"/> Even if you cancel printing using the computer, you cannot cancel a print job that has already been sent to the printer. Perform the cancel operation at the printer as well; otherwise, it may continue to print on the data stored in the printer.</li> <li><input type="checkbox"/> Even if you cancel printing using the printer, you cannot cancel a print job that has been stored in the computer. Perform the cancel operation using the computer as well; otherwise, it may resend the data stored in the computer and will start printing after resetting the printer.</li> <li><input type="checkbox"/> When you cancel the print job from the printer, the rest of the print jobs in the cue are also deleted.</li> </ul>
---	---	---

### While printing

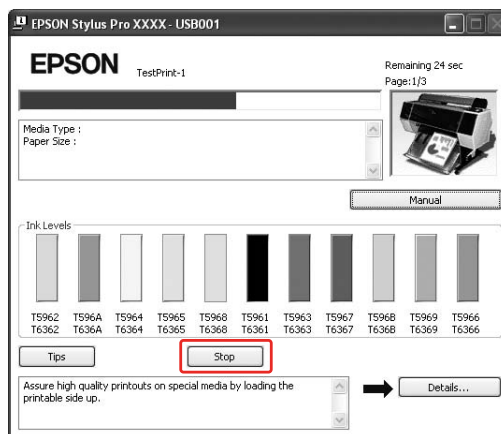
-	✓	All the jobs are deleted.
---	---	---------------------------

✓ : Available  
 - : Not Available

## Canceling printing using the computer (Windows)

### When Progress Meter is displayed

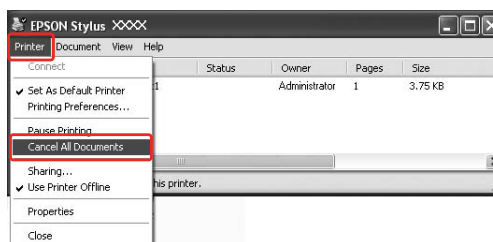
Click **Stop** on the EPSON Progress Meter dialog box.



### When the Progress Meter is not displayed

- 1 Double-click the printer icon on the task bar.
- 2 Select the job you want to delete, and then select **Cancel** from the Document menu.

When you want to delete all the jobs, select **Cancel all documents** from the Printer menu.



If the job has been sent to the printer, the print data does not appear in the dialog box above. In this case, cancel the print job using the printer.

## Canceling printing using the computer (Mac OS X)

- 1 Click the Printer icon in the Dock.



- 2 Select the job you want to delete, and then click the **Delete** button.



If the job has been sent to the printer, the print data does not appear in the dialog above. In this case, cancel the print job using the printer.

## Canceling printing using the printer

Press the **||** button to select **JOB CANCEL**, and then press the **OK** button.

Even when it is printing a job, the printing is canceled. After canceling the job, it takes a while before the printer is in the **READY** state.

### Note:

You cannot cancel a job spooling in the computer. To cancel a job spooling in the computer, see the section "Canceling printing using the computer (Windows)" on page 59 or "Canceling printing using the computer (Mac OS X)" on page 60.

## Changing the Black Ink

Both Photo and Matte Black ink are installed in this printer.

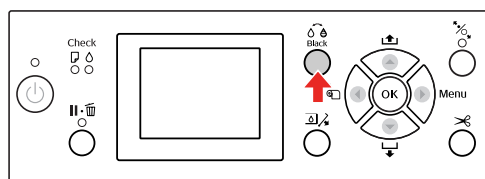
Photo Black ink can be used for photo papers with professional quality results. Matte Black ink significantly increases black optical density when printing on matte and fine art type papers.

See the following section for the suitable black ink for the media type.

"Paper Information" on page 171

To switch the black ink, press the button on the printer's control panel.

To change the black ink from Photo Black to Matte Black, it takes about two minutes and consumes approximately 1.2 ml of ink. To change the black ink from Matte Black to Photo Black, it takes about three minutes and consumes approximately 3.4 ml of ink. Therefore, we recommend performing the printing in a planned manner to avoid consuming the ink needlessly.



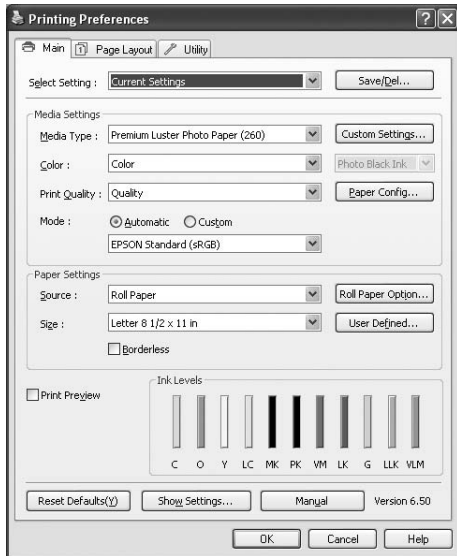
Follow the steps below to select the black ink when the media type supports both Photo and Matte Black ink.



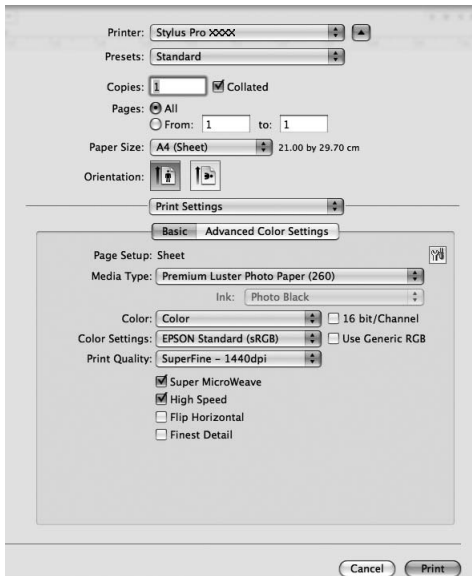
## Basic Settings

- 1 Open the **Main** menu (Windows) or the Print Settings dialog (Mac OS X).

Windows

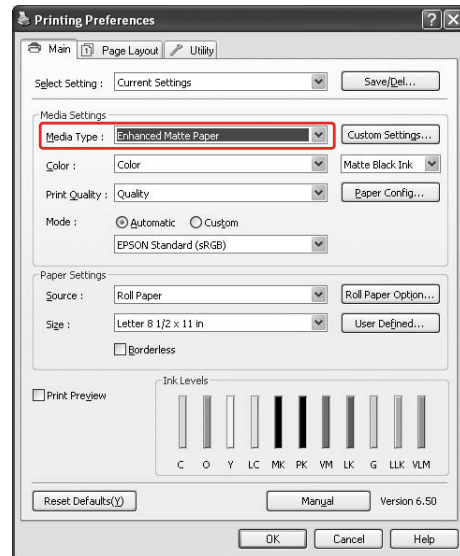


Mac OS X

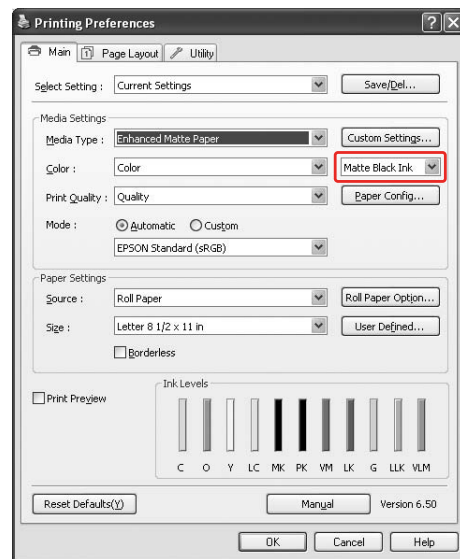


- 2 Select the paper from the Media Type.

The black ink is displayed according to the media type.



- 3 Select the black ink.



- 4 Check the other settings, and then start printing.

## Options and Consumable Products

# Options and Consumable Products

The following consumable products are available for use with your printer (as of May, 2008).

Name	Product Code				Explanation	
Epson special media	See the following section for media. ☞ "Paper Information" on page 171 For the latest information on the media, see the Epson Web site.					
Ink cartridges	(Color)	Epson Stylus Pro 7900/9900		Epson Stylus Pro 7910/9910		The printer driver provided with this printer is color adjusted for Epson genuine ink cartridges. If you use non-genuine cartridges, the print result may be faint, or the end of the ink may not be detected normally.  Note: The product number varies by country.  See the following section to replace the ink cartridge. ☞ "Replacing ink cartridges" on page 69
		350 ml	700 ml	350 ml	700 ml	
	Cyan	T5962	T6362	T5972	T6372	
	Orange	T596A	T636A	T597A	T637A	
	Yellow	T5964	T6364	T5974	T6374	
	Light Cyan	T5965	T6365	T5975	T6375	
	Matte Black	T5968	T6368	T5978	T6378	
	Photo Black	T5961	T6361	T5971	T6371	
	Vivid Magenta	T5963	T6363	T5973	T6373	
	Light Black	T5967	T6367	T5977	T6377	
	Green	T596B	T636B	T597B	T637B	
	Light Light Black	T5969	T6369	T5979	T6379	
	Vivid Light Magenta	T5966	T6366	T5976	T6376	
Maintenance Tank	C12C890191 for Epson Stylus Pro 7900/9900 C12C890193 for Epson Stylus Pro 7910/9910				See the following section to replace the maintenance tank. ☞ "Replacing the Maintenance Tank" on page 70	
Auto Cutter Spare Blade	C12C815331				See the following section to replace the cutter. ☞ "Replacing the Cutter" on page 72	
Roll Paper Belt	C12C890121					
Auto Take-up Reel Unit (for Epson Stylus Pro 9900/9910)	C12C815321				Auto Take-up Reel Unit is for Epson Stylus Pro 9900/9910 only. You cannot use with Epson Stylus Pro 7900/7910. See the <i>Auto Take-up Reel Unit Setup Guide</i> for installing it.  See the following section to use Auto Take-up Reel Unit. ☞ "Using Auto Take-up Reel Unit (For Epson Stylus Pro 9900/9910 only)" on page 46	

## Options and Consumable Products

---

Name	Product Code	Explanation
SpectroProofer Mounter 44" (for Epson Stylus Pro 9900/9910)	C12C890521	See the <i>SpectroProofer Mounter 24"/44" Setup Guide and User's Guide</i> for details.
SpectroProofer Mounter 24" (for Epson Stylus Pro 7900/7910)	C12C890531	
Roll Media Adapter	C12C811241	See the following section for details. ☞ "Using Roll Paper" on page 31

**Note:**

- ☐ *When using the USB connection and a USB hub, we recommend that you connect the printer to the first hub connected directly to the computer. Also, some hubs may cause unstable operation. If problems occur, connect the printer directly to the USB port of the computer.*
- ☐ *When using an Ethernet connection, use a LAN cable. When using a 100BASE-TX STP (shielded twisted-pair) cable, it should be Category 5 or higher.*

# Maintenance

## Daily Maintenance

### Instructions for placing the printer

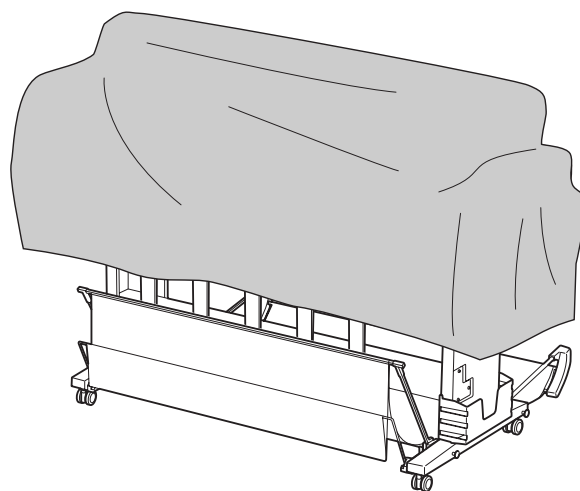
Observe the following when setting up the printer:

- ❑ Choose a flat and stable location that can support the printer weight (about 135.1 kg for Epson Stylus Pro 9900/9910 and 100.9 kg for Epson Stylus Pro 7900/7910).
- ❑ Use only an outlet that meets the power requirements of this printer.
- ❑ Leave enough room for easy operation, maintenance, and ventilation.
  - ☞ See "Choosing a place for the printer" in the *Unpacking and Setup Guide*
- ❑ Operate the printer under the following conditions (temperature is 10 to 35°C and humidity is 20 to 80%).

Even when the conditions above are met, you may not print properly if the environmental conditions are not proper for the paper. Be sure to use the printer where the paper conditions are met. See the handling instructions of the paper for more detailed information. Keep the printer away from drying, direct sunlight, or heat sources to maintain the appropriate humidity.

### Notes for when you are not using the printer

The print head nozzles are very small, thus, they can become clogged easily if dust gets on the print head. To avoid this, close the roll paper cover or the front cover when you are not using the printer. If you are not using the printer for a long time, put a non-static cloth on the printer to avoid getting dust on the printer.



### Instructions for using paper

#### Notes for handling paper

See the instructions below and the handling instructions of the paper for more details.

- ❑ Use Epson special media under the following conditions (temperature is 15 to 25°C and humidity is 40 to 60%).
- ❑ Do not bend the paper or scratch on the surface of the paper.
- ❑ Keep fingers off the printable surface of the media, as fingerprints may reduce the print quality.
- ❑ Set the roll paper by handling the edges of the roll paper. Whenever possible, use gloves to handle media.

## Maintenance

- ❑ The paper may bend if the temperature and humidity will change rapidly. Be careful not to bend or soil the paper, and flatten it before setting it in the printer.
- ❑ Do not lose the paper package so you can use it for storing the paper.

### Notes for after printing

See the instructions below for after printing.

- ❑ Do not touch the surface of the print; otherwise, the ink may smudge.
- ❑ Do not rub or scratch the print; otherwise, the ink may come off.
- ❑ Be careful not to bend or pile paper on top of another, and dry it completely. The color may be changed where the paper is piled. If you leave paper lying on top of another, the scratches may stay on the paper even after the paper dries.
- ❑ If you put the prints on the album before they dry, they may be blurred. After you print, be sure to dry the paper completely.
- ❑ Do not use a dryer for drying the print.
- ❑ Avoid direct sunlight.
- ❑ See the instructions of the paper for keeping the color from fading. The print can keep the color for a long time if you store it properly.

**Note:**

*Typically, prints and photos fade over time (change color) due to the effects of light and various constituents in the air. This also applies to Epson special media. However, with the correct storage method, the degree of color change can be kept to the minimum.*

- ❑ *See the instructions of the Epson special media for detailed information on handling the paper after printing.*
- ❑ *The colors of photos, posters, and other prints appear differently under different lighting conditions (light sources\*). The colors of prints from this printer may also appear differently under different light sources.*  
\* *Light sources include sunlight, fluorescent light, incandescent light and other types.*

### Notes for storing the paper

See the instructions below and the handling instructions of the paper for more details.

- ❑ Avoid locations that are subject to direct sunlight, excessive heat, or moisture.
- ❑ Keep the paper in the package, and keep it on a flat place.
- ❑ Remove the roll paper that is not in use from the printer. Roll it properly and then store it in the original package of the roll paper. If you leave the roll paper in the printer, its quality will deteriorate.
- ❑ Do not wet the paper.
- ❑ Store prints in a dark place to avoid direct sunlight, excessive heat, and moisture to keep the printed color.

# Replacing Ink Cartridges

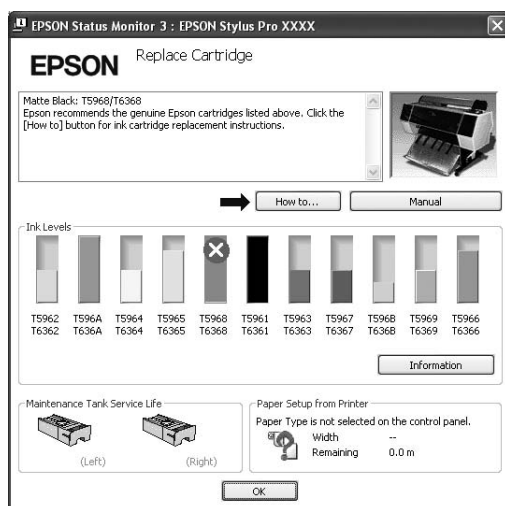
## Note:

When you replace the ink cartridges while the printer is turned off, the remaining ink cannot be detected correctly so the ink may become unusable before the Ink Check light comes on and you cannot print correctly. Follow the steps below to replace an ink cartridge.

## When ink needs to be replaced/When ink gets low

When the Ink Check light is flashing, this indicates that the ink level is low. If EPSON Status Monitor is installed, a message appears on the computer's display that tells you the ink is low. If the ink is low, you need to replace the ink cartridge as soon as possible. You cannot continue to print even if only one of the ink cartridges is expended. If an ink cartridge runs out while printing, replace it with a new one so the printer can continue to print.

### Windows



### Mac OS X



Click **How to** to see the instructions on replacing an ink cartridge.

## Confirming the ink cartridge remaining

### Using the printer's control panel

The remaining ink in the cartridges is always displayed on the LCD panel.

➤ See "Display" on page 14

You can check the accurate amount of ink remaining in the PRINTER STATUS menu. You need to check the amount of ink remaining before printing a lot of data. If there is a low ink cartridge, prepare a new one.

➤ See "Using the Menu mode" on page 16

➤ See "PRINTER STATUS" on page 24

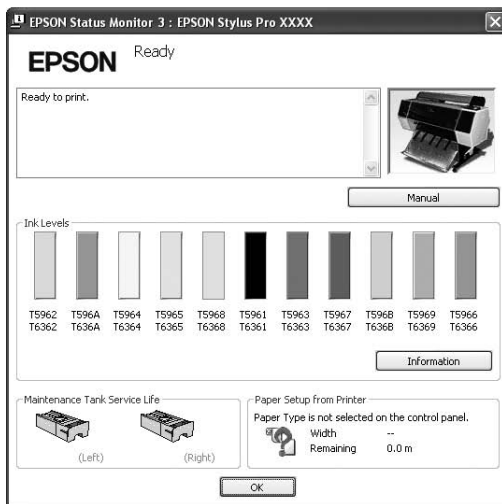
## Maintenance

### Using the printer driver

You can check the amount of ink remaining on your computer by using EPSON Status Monitor.

#### For Windows

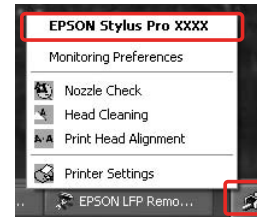
Open the printer driver window, and click the **Utility** tab, and then click **EPSON Status Monitor 3**.



#### Note:

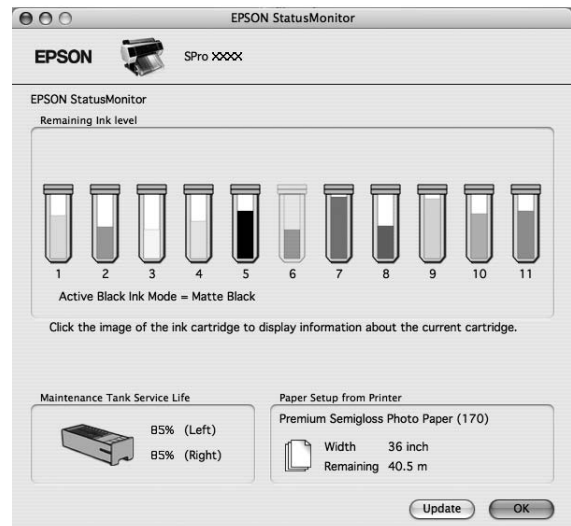
In the Monitoring Preferences dialog box, select the **Shortcut Icon** check box to display a shortcut icon on your Windows taskbar. Right-click the shortcut icon, and select the printer name to display the EPSON Status Monitor 3 dialog box.

See "Viewing information in Monitoring Preferences" on page 118



#### For Mac OS X

Open the EPSON Printer Utility3 dialog, and then click **EPSON StatusMonitor**.



## About ink cartridges

Be sure to use the ink cartridges that are supported with this printer.

➤ See "Options and Consumable Products" on page 62

### Note:

*A protection system is provided to prevent improper cartridge insertion. If you cannot insert the ink cartridge smoothly, the type of cartridge may be incorrect. Check the package and product code.*

## Notes for handling the ink cartridges

- ❑ When **INK LOW** appears on the LCD panel, replace the cartridges with a new one as soon as possible to avoid ink to being expended while printing.
- ❑ Use up the ink cartridge within six months of installation for best results.
- ❑ If you move the ink cartridge from the cold place to warm place, condensation may occur. Leave it at room temperature for more than four hours before using the ink cartridge.
- ❑ Do not use an ink cartridge beyond the date printed on the cartridge carton. If you use an ink cartridge beyond the expiry date, it may affect the print quality.
- ❑ Store ink cartridges under the same condition as the printer.
- ❑ Do not touch the ink supply port or its surrounding area. The ink may leak from it.
- ❑ Do not touch the green IC chip on the side of the ink cartridge. Doing so may affect normal operation and printing.
- ❑ Because the green IC chip has the cartridge's own information and the ink remaining information, you can still use the ink cartridge after pulling out the ink cartridge from the printer.
- ❑ Do not add ink to the cartridge. The green IC chip remembers the ink remaining so that you cannot change the amount of ink remaining.

- ❑ Do not drop or knock it against hard objects; otherwise, the ink may leak.
- ❑ The ink is used not only for printing but also for print head cleaning.

## Notes for replacing the ink cartridges

- ❑ Shake an ink cartridge horizontally well (about 5 seconds) before installing it for best results.
- ❑ Do not leave the printer without ink cartridges installed. The inks inside the printer may dry and you may not be able to print.
- ❑ Install an ink cartridges into each slot. You cannot print if any of the slots are empty.
- ❑ Make sure that the printer is turned on when you replace an ink cartridge. If the printer is turned off while changing the ink cartridge, the amount of ink remaining is not detected correctly so you cannot print properly.
- ❑ Be careful as there is ink around the ink system port on the used ink cartridge.

## Notes for storing the ink cartridges

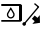
- ❑ Store ink cartridges under the same condition as the printer (temperature is 10 to 35°C and humidity is 20 to 80%).
- ❑ Ink cartridges that are removed before ink end is detected can be reinstalled in the printer and used again if the expiry date printed on the ink cartridge packaging has not passed.
- ❑ Avoid getting dirt on the ink system port and store the ink cartridge properly. You do not need to put the ink cartridge in the package. The ink system port has a valve in it so you do not need to put a cap on it; however, be careful not to tamper with the ink system port.



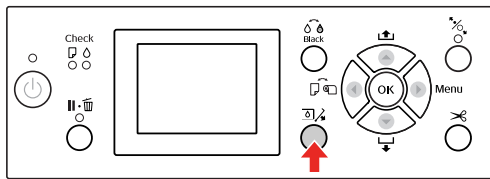
Maintenance

## Replacing ink cartridges

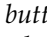
**1** Make sure the printer is on.

**2** Press the  button.

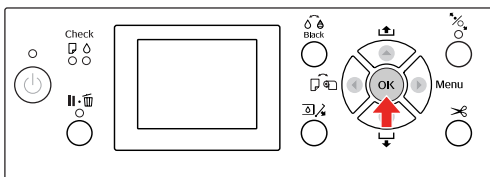
If the ink is expended, the cover is slightly opened automatically. Go to step 4.



**Note:**

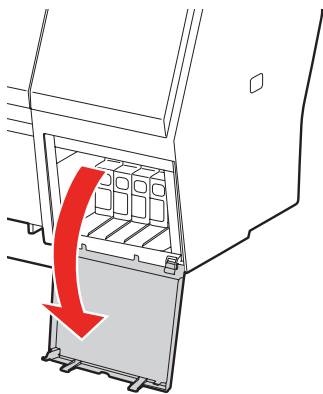
The  button is not available while printing or cleaning.

**3** Select the cover that the target ink cartridge is set, and then press the OK button.



The ink cover is unlocked and slightly opened.

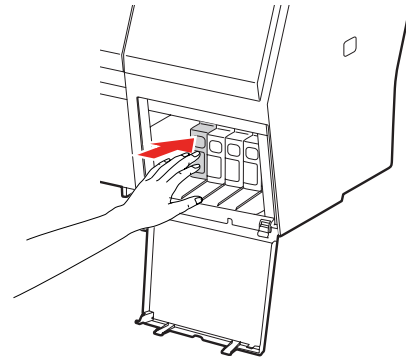
**4** Open the ink cover by hand fully.



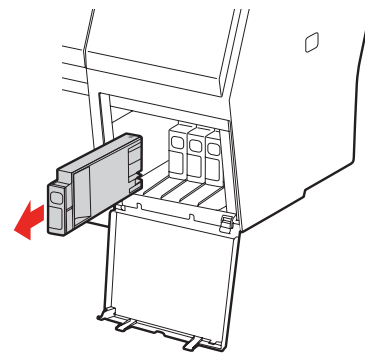
**Note:**

Do not open the cover until it is unlocked.

**5** Push the expended cartridge so the cartridge is slightly pushed out.



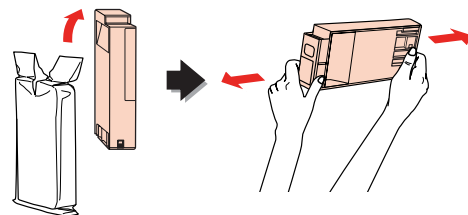
**6** Carefully pull the expended cartridge straight out of the slot.



 **Warning:**

If ink gets on your hands, wash them thoroughly with soap and water. If ink gets into your eyes, flush them immediately with water.

**7** Make sure the replacement ink cartridge is the correct color, and remove it from the package. Shake the ink cartridge well before installing it for best results.



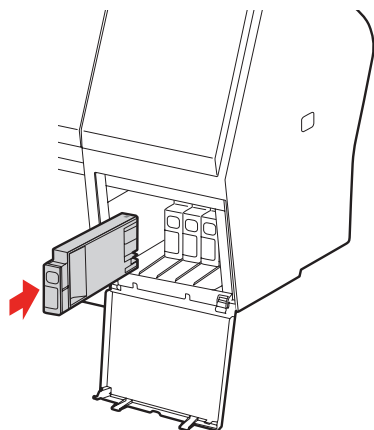
 **Caution:**

Do not touch the green chip on the side of the cartridge. Doing so may prevent normal operation and printing.

## Maintenance

- 8** Hold the ink cartridge with the arrow mark facing up and pointing to the rear of the printer, and then insert it into the slot as far as it will go until it clicks.

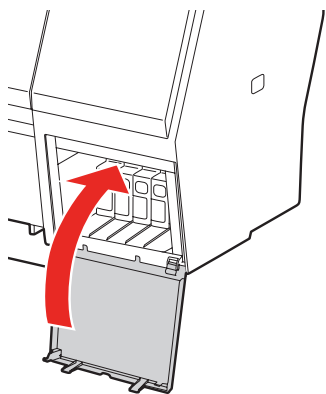
Match the ink cartridge color with the color label on the back side of the ink cover.



**Note:**

Be sure to install all eleven ink cartridges. You cannot print if any of the ink cartridges is not installed.

- 9** Close the ink cover.



## Replacing the Maintenance Tank

The maintenance tank absorbs ink discharged when cleaning the print head. There are two maintenance tanks placed on the left and right for Epson Stylus Pro 9900/9910 and one placed on the right for Epson Stylus Pro 7900/7910. If the maintenance tank icon on the LCD panel indicates that the maintenance tank is full or near full, replace the maintenance tank with a new one.

## Confirming the free space of the maintenance tank

### Using the printer's control panel

The free space of the maintenance tank is always displayed on the LCD panel.

☞ See "Display" on page 14

You can check the free space in the **PRINTER STATUS** menu. You need to check it before printing a lot of data. If the maintenance tank is nearly full, prepare a new one.

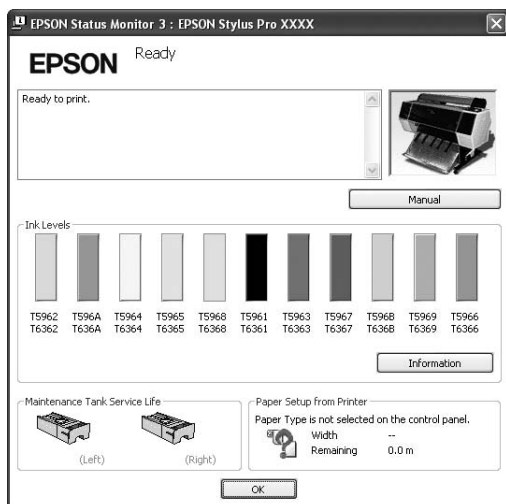
☞ See "Using the Menu mode" on page 16

☞ See "PRINTER STATUS" on page 24

## Using the printer driver

You can check the free space of the maintenance tank on your computer by using EPSON Status Monitor. The instructions are the same as confirming the ink cartridge remaining.

☞ See "Using the printer driver" on page 67



## Replacing the maintenance tank

Be sure to use a maintenance tank that is supported with this printer.

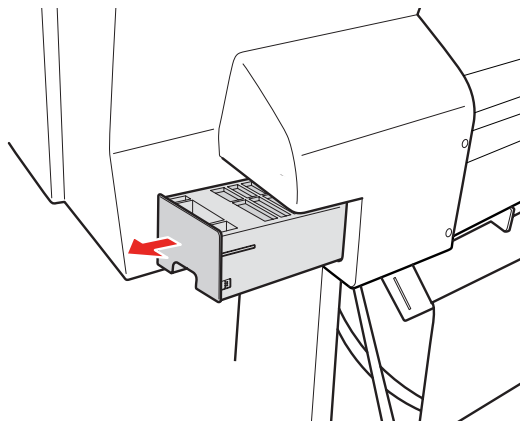
☞ See "Options and Consumable Products" on page 62



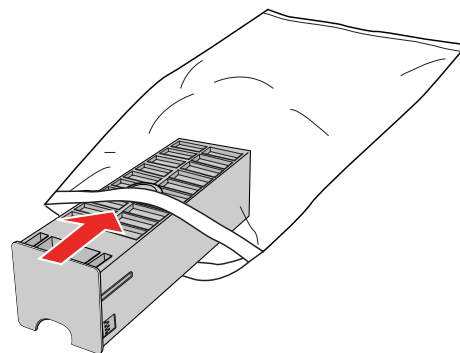
### Caution:

*Do not replace the maintenance tank while printing data.*

- 1 Turn off the printer.
- 2 Take a new maintenance tank out of the package.
- 3 Put your hand on the handle of the maintenance tank, then gently pull it straight out.

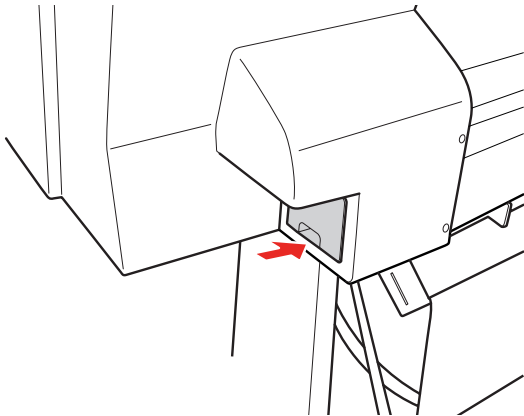


- 4 Put the used maintenance tank in the plastic bag provided with the replacement cartridge, and dispose of it properly.



Maintenance

- 5 Insert the new maintenance tank into place as far as it will go.



**Caution:** Do not touch the green chip on the side of the maintenance tank. Doing so may prevent normal operation.

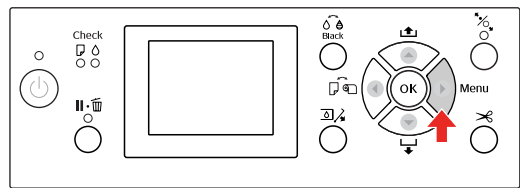
- 6 For Epson Stylus Pro 9900/9910, repeat step 3 to 5 to replace the maintenance tank on the other side.

## Replacing the Cutter

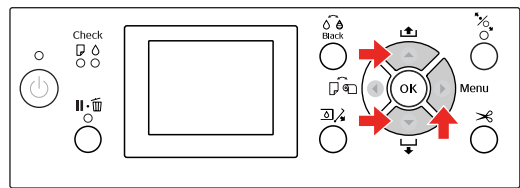
When the paper cutter does not cut cleanly, it may be dull and require replacement. See the following section for the product code of the paper cutter that is supported with this printer.  
 See "Options and Consumable Products" on page 62

**Caution:** Take care not to damage the cutter blade. Dropping it or knocking it against hard objects may chip the blade.

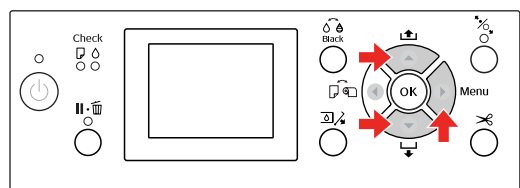
- 1 Make sure the printer is on.  
 If paper is loaded, remove it from the printer.
- 2 Press the **▶** button to enter the Menu mode.



- 3 Press the **▲ / ▼** button to select MAINTENANCE, and then press the **▶** button.



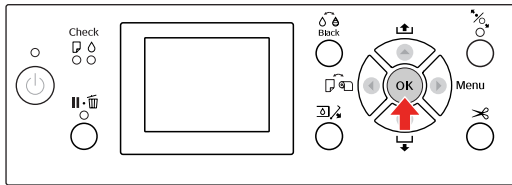
- 4 Press the **▲ / ▼** button to select CUTTER REPLACEMENT, and then press the **▶** button.



Maintenance

**5** Press the **OK** button.

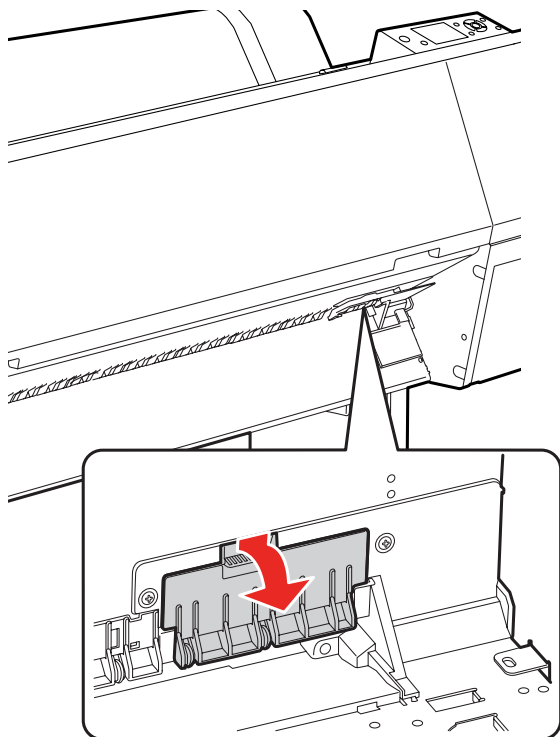
The paper cutter holder stops at the replacement position.



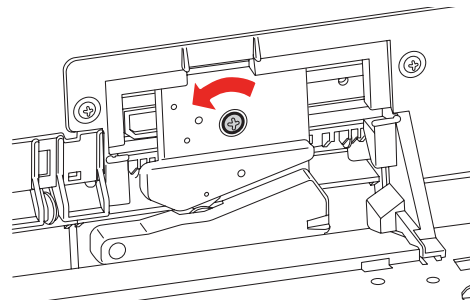
**6** If the optional SpectroProofer Mounter is attached to the printer, remove it from the printer and then turn off the printer.

See the *SpectroProofer Mounter 24"/44" User's Guide* for details on removing it from the printer.

**7** To remove the cover, lower it with the knob, and pull it low.

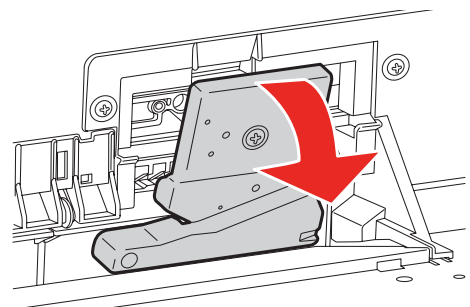


**8** Screw down the cutter with a screwdriver.



**9** Carefully remove the old cutter from the printer.

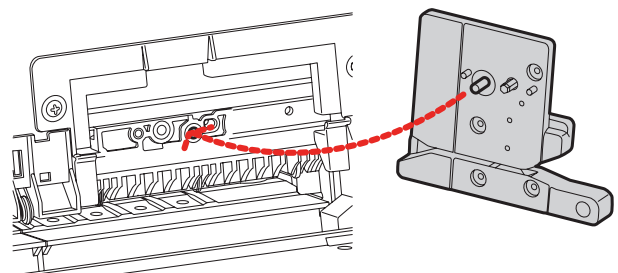
**Warning:** Take care not to hurt yourself with the blade of the cutter. Do not let children touch the blade.



**Note:** Put the used cutter in a bag or the like, and dispose of it in accordance with local regulations.

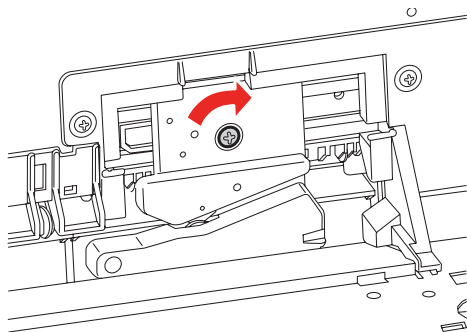
**10** Take the new paper cutter out of the package and insert it as shown.

Install the cutter into the cutter holder, setting the pin of the cutter to the hole of the holder.



## Maintenance

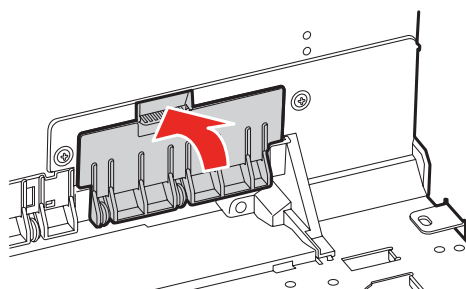
- 11** Screw up the cutter firmly with a cross head screwdriver.



**Note:**

*Screw up the cutter firmly, otherwise the cut position may be slightly shifted or skewed.*

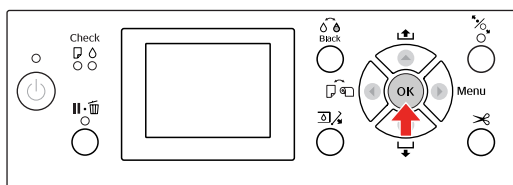
- 12** Align the downside of the cover and the cutter holder, and then press the cover firmly until it clicks.



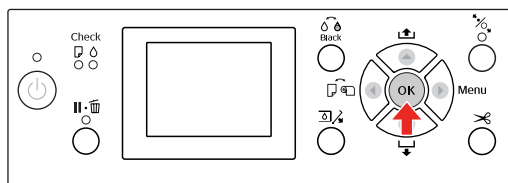
- 13** Install the SpectroProofer Mounter if it was attached, and then turn the printer on.

The cutter holder moves to the home position. If the SpectroProofer Mounter is installed, the following operation (step 14 to 15) is not necessary.

- 14** Press the OK button.



- 15** Make sure the cover is installed, and press the OK button.



## Maintenance

# Adjusting the Print Head

You may need to adjust the print head if white lines appear in your printed data or if you notice the print quality has declined. You can perform the following printer maintenance functions for maintaining the print head in consistently good condition to ensure the best print quality.

### Manual cleaning function

You can perform cleaning manually according to the print quality.

Functions	Printer driver	Printer	Explanation
Nozzle check	✓	✓	Checks the print head nozzles for clogging by printing a nozzle check pattern.
Head cleaning	✓	✓	Cleans the print head to improve the print quality. You can select the print head to be cleaned.
Power cleaning	—	✓	Cleans the print head more effectively than normal head cleaning.  Power cleaning process consumes more ink than head cleaning. When you perform power cleaning, make sure that enough ink is remaining. Otherwise, prepare a new ink cartridge.

### Auto cleaning function (Auto maintenance function)

Function	Explanation
AUTO NOZZLE CHECK	The printer performs a nozzle check and if there are missing dots, it performs cleaning automatically.
Self-cleaning	Avoids drying and clogging of the print head nozzles. It starts when you turn the printer on or start printing.
Capping	Put a cap on the print head to keep it from drying.

### Print head alignment function

Functions	Printer driver	Printer	Explanation
Print head alignment	✓	✓	Aligns the print head when misaligned lines appear on the printed data.

## Nozzle check

This function checks the print head\*<sup>1</sup> nozzles\*<sup>2</sup> for clogging by printing a nozzle check pattern. Perform head cleaning if you find that the nozzle check pattern is unexpectedly faint or has missing dots in the nozzle check pattern.

By using the **AUTO NOZZLE CHECK** function, the printer performs a nozzle check without printing a pattern and if there are missing dots, it performs cleaning automatically.

\*<sup>1</sup> Print head: The part that prints by spraying ink onto the paper.

\*<sup>2</sup> Nozzle: A minute hole for spraying ink. It is positioned where it cannot be seen from the outside.

You can perform nozzle check from:

- Printer driver
- Printer's control panel

**Note:**

*You cannot perform a nozzle check when the Ink Check light is on.*

## Checking the print head nozzles using the printer driver

This section explains how to check the print head nozzle using the Window printer driver.

Use EPSON Printer Utility<sup>3</sup> for Mac OS X.

☞ See "Accessing EPSON Printer Utility<sup>3</sup>" on page 124

- 1** Make sure that roll paper or A4/Letter size or larger is loaded in the printer.

Select the correct paper source according to the paper.

☞ See "Paper Handling" on page 30

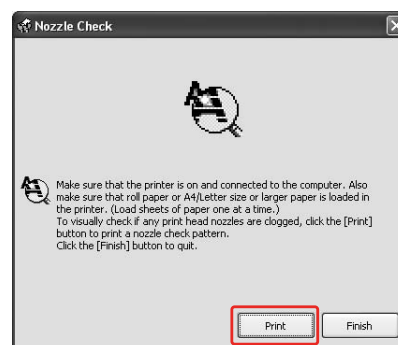
- 2** Open the Utility menu of the printer driver.

- 3** Click **Nozzle Check**.



- 4** Click **Print**.

The nozzle check pattern is printed.

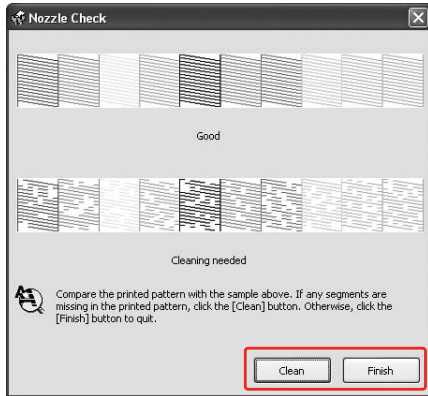




Maintenance

- 5 Check if there are missing dots on the nozzle check pattern.

If there are no missing dots, click **Finish**.  
 If there are missing dots, click **Clean**.



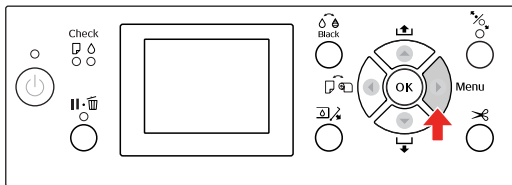
After printing a nozzle check pattern, make sure that the nozzle check pattern printing is complete before starting to print your data or cleaning the print head.

### Checking the print head nozzles using the printer's control panel

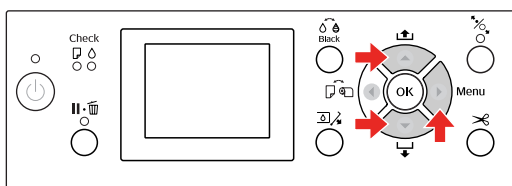
- 1 Make sure that roll paper or A4/Letter size or larger is loaded in the printer.

Select the correct paper source according to the paper.  
 See "Paper Handling" on page 30

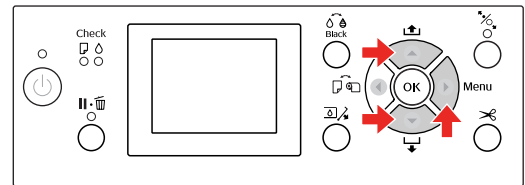
- 2 Press the **▶** button to enter the Menu mode.



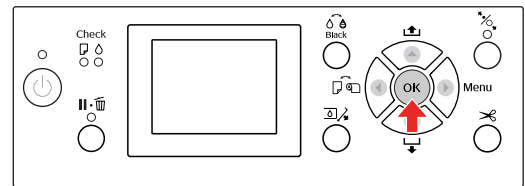
- 3 Press the **▲ / ▼** button to display TEST PRINT, and then press the **▶** button.



- 4 Press the **▲ / ▼** button to display NOZZLE CHECK, and then press the **▶** button.

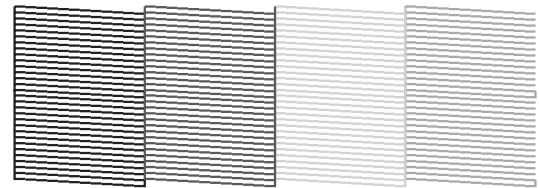


- 5 Press the **OK** button to start printing a nozzle check pattern.



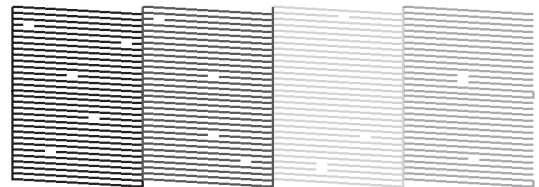
- 6 Check the nozzle check pattern.

**Good**



There are no missing dots so the nozzles are not clogged.

**Bad**



There are missing dots so the nozzles are clogged. Perform head cleaning.  
 See "Head cleaning" on page 78

## Head cleaning

If you find that the printed data is unexpectedly faint or dots in the printed data are missing, you may be able to solve these problems by using the Head Cleaning utility to clean the print head, which ensures that the nozzles are delivering ink properly.

You can perform head cleaning from:

- Printer driver
- Printer's control panel

### Note:

- The cleaning process consumes ink of all ink cartridges at the same time. Even if you are using only black inks, the head cleaning also consumes color inks.
- You do not need to perform head cleaning unless the printed data is blurred or the color of the image is not good.
- After cleaning the print head, print a nozzle check pattern to check if it is printed correctly.
- When the Ink Check light is flashing or on, you cannot clean the print head. Replace the ink cartridge with a new one first. (If the ink enough remains for the head cleaning, you may perform head cleaning using the printer's control panel.)  
See "Replacing Ink Cartridges" on page 66
- When repeating head cleaning in a short time period, the maintenance tank may become full with ink quickly due to minimal ink evaporation in the tank.

## Cleaning the print head using the printer driver

This section explains how to clean the print head using the Window printer driver.

Use EPSON Printer Utility3 for Mac OS X.

See "Accessing EPSON Printer Utility3" on page 124

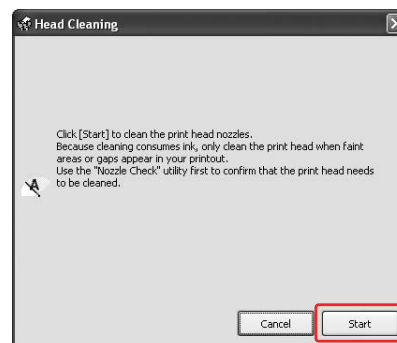
**1** Open the Utility menu of the printer driver.

**2** Click **Head Cleaning**.



**3** Click **Start**.

The head cleaning starts and it takes about 2 to 13 minutes.

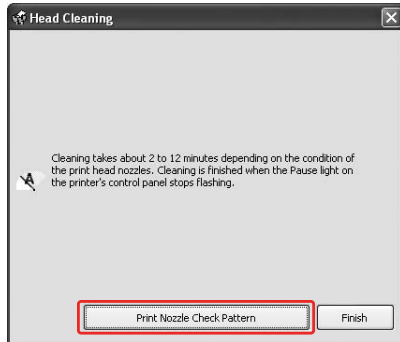


## Maintenance

- 4 Click **Print Nozzle Check Pattern** in the Head Cleaning dialog box.

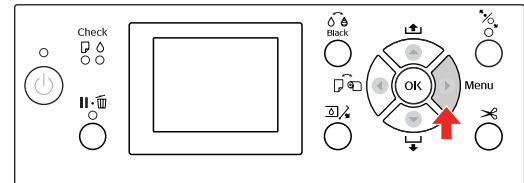
Confirm the nozzle check pattern.

☞ See "Nozzle check" on page 76

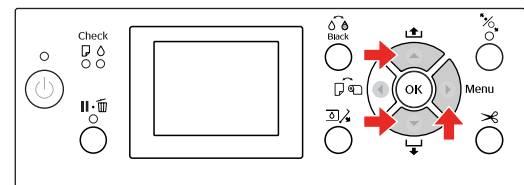


## Cleaning the print head using the printer's control panel

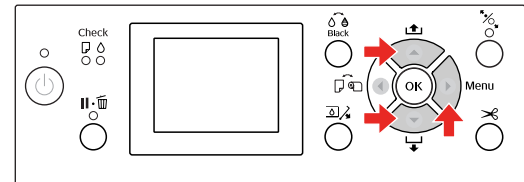
- 1 Press and hold the ► button.



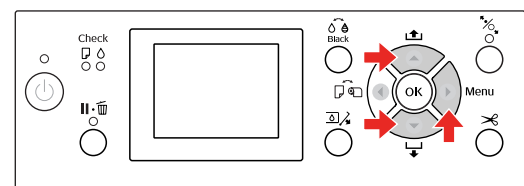
- 2 Press the ▲ / ▼ button to display MAINTENANCE, and then press the ► button.



- 3 Press the ▲ / ▼ button to display CLEANING, and then press the ► button.



- 4 Press the ▲ / ▼ button to display NORMAL CLEANING, and then press the ► button.



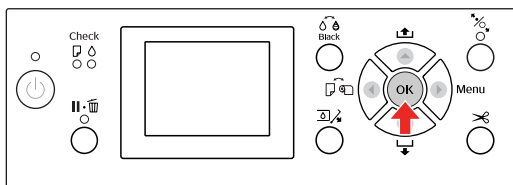
**Note:**

You can perform the cleaning for only the specified nozzles when you select CLEAN EACH COLOR in the MAINTENANCE menu.

☞ See "MAINTENANCE" on page 23

## Maintenance

- 5** Press the **OK** button.



The Power light starts flashing and the head cleaning starts (it takes 2 to 13 minutes.) The cleaning is finished when the Power light is on.

- 6** Print a nozzle check pattern, and check the result.

☞ See “Nozzle check” on page 76

**Note:**

- ❑ *If the nozzles are still clogged after cleaning the print head a few times, perform power cleaning.*  
☞ See “Power cleaning” on page 80
- ❑ *Power cleaning process consumes more ink than normal cleaning.*
- ❑ *If the nozzles are still clogged after performing the power cleaning, turn off the printer and leave it overnight or longer, so that the ink may dissolve. If the nozzles are still clogged, contact your Epson dealer.*
- ❑ *If the CLEANING ERROR appears on the LCD panel, see the following section to solve the problem.*  
☞ See “Error Messages on the LCD Panel” on page 89

## Power cleaning

If the nozzles are still clogged after performing head cleaning a few times, perform power cleaning.

- 1** Press the **▶** button to enter the Menu mode.
- 2** Press the **▲ / ▼** button to display **MAINTENANCE**, and then press the **▶** button.
- 3** Press the **▲ / ▼** button to select **CLEANING**, and then press the **▶** button.
- 4** Press the **▲ / ▼** button to select **POWER CLEANING**, and then press the **▶** button.
- 5** Press the **OK** button to execute power cleaning.

**PLEASE WAIT** appears on the LCD panel. It takes about 4 minutes to complete power cleaning.

- 6** Print a nozzle check pattern to see if there are any missing dots.

☞ See “Nozzle check” on page 76

## Automatic maintenance function

This printer has a self-cleaning function and capping function for maintaining the print head in consistently good condition to ensure the best print quality.

### AUTO NOZZLE CHECK function

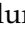
The printer performs a nozzle check without printing a pattern, and if there are missing dots, it performs cleaning automatically (taking 2 to 13 minutes).

The **AUTO NOZZLE CHECK** function works in the following cases:

- When the power is on.
- After head cleaning and ink charging.
- Before changing the black ink type.
- When printing is started.

However, to maintain the print quality, the **AUTO NOZZLE CHECK** function works after head cleaning, ink charging, and changing the black ink type even if the **AUTO NOZZLE CHECK** function is off.

### Self-cleaning function

Self-cleaning is a function for cleaning the print head automatically to prevent the nozzles getting clogged. It is performed periodically, for example when you turn the printer on (during warming up). A minute quantity of ink is drawn from each ink cartridge to prevent the nozzle drying out. Even if you press the  button during self-cleaning, the power is not turned off until cleaning finishes. Do not pull out the power plug of the printer during cleaning.

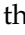
The self-cleaning function is not available when **AUTO NOZZLE CHECK** is OFF.

## Capping function

Capping is a function for automatically covering the print head with a cap (lid) to prevent the print head from drying out. Capping is performed in the following situations.

- When several seconds have elapsed after printing finishes (that is there is no print data sent)
- When printing is stopped

Take care of the following points to ensure that the print head is capped properly.

- If the print head is not positioned on the right side (it is not capped), turn the printer on, then off again. By turning the printer off with the  button, the head is capped properly.
- If you turn the power off when a paper jam or error occurs and the print head is not capped, turn the printer on again. Shortly, the print head is capped automatically. Check that it is properly capped, then turn the printer off.
- Do not move the print head manually under any circumstances.
- Do not remove the power plug of the printer when the power is on, or cut the power at the breaker. The head may not be capped properly.

## Print head alignment

To prevent deterioration of print quality caused by misalignment of the print head, align the print head before you start printing your data.

You can perform print head alignment using:

- printer driver
- printer's control panel

Usually perform print head alignment using the printer driver. If you do not have a computer or software, use the printer's control panel.

**Note:**

Align the print head for the paper width loaded in the printer. Use the Epson special media (except plain paper) which paper width is the same as the paper that you actually use for printing.

## Aligning the print head using the printer driver

- 1 Make sure that the roll paper or one sheet of A4/Letter size or larger paper is loaded in the printer.  
☞ See "Paper Handling" on page 30
- 2 Open the Utility menu of the printer driver.
- 3 Click **Print Head Alignment**.  
Follow the on-screen instructions to align the print heads.



## Aligning the print head using the control panel

Select **AUTO** to correct any head misalignment automatically to obtain optimum printing results. If you select **MANUAL**, you need to check the pattern and enter the value for alignment.

**Note:**

You cannot use Plain Paper for automatic alignment.

## Setting the paper type and paper thickness

Set the paper type for the Epson special media, and set the paper thickness for the non-Epson media.

- 1 Make sure that the roll paper or one sheet of A4/Letter size or larger paper is loaded in the printer.  
  
Make sure to set the paper correctly according to the paper.  
☞ See "Paper Handling" on page 30
- 2 Press the **▶** button to enter the Menu mode.
- 3 Press the **▲ / ▼** button to select **HEAD ALIGNMENT**, and then press the **▶** button.
- 4 Press the **▲ / ▼** button to select **PAPER THICKNESS**, and then press the **▶** button.
- 5 Set the paper type or paper thickness depending on the paper you set in the printer.

**Epson special media:**

1. Press the **▲ / ▼** button to select **SELECT PAPER TYPE**, and then press the **▶** button.
2. Press the **▲ / ▼** button to select the paper type you set in the printer, and then press the **OK** button.

**Non-Epson media:**

1. Press the **▲ / ▼** button to select **SELECT THICKNESS**, and then press the **▶** button.
2. Press the **▲ / ▼** button to select a paper thickness value between 0.1 and 1.5 mm, and then press the **OK** button.

See the manual that comes with the paper for the paper thickness.

## Maintenance

- 6** Press the ◀ button twice for non-Epson media or three times for Epson special media.

To align the print head, see either of the following section.

☞ "Aligning the print head automatically" on page 83

☞ "Aligning the print head manually" on page 83

### Aligning the print head automatically

- 1** Press the ▲ / ▼ button to select ALIGNMENT, and then press the ▶ button.

- 2** Select AUTO, and press the ▶ button.

- 3** Press the ▲ / ▼ button to select BI-D 2-COLOR, and then press the OK button to print the pattern.

The adjustment pattern for output is read by the sensor and the optimum adjustment value is registered automatically in the printer.

If you are not satisfied with the result of this alignment, press the ◀ button to return to the previous level, and then select BI-D ALL.

If you are not satisfied with the result of the BI-D ALL alignment, try UNI-D.

You can also align the print head individually by selecting BI-D #1, BI-D #2, BI-D #3, or BI-D #4. Select an ink dot size from BI-D #1 to BI-D #4 depending on the media you use and the print mode you want to try.

### Aligning the print head manually

Because there is a distance between the print head and paper, the misalignment may occur by the humidity or temperature or moving the print head bidirectionally. In this case, try UNI-D first, and then BI-D 2-COLOR. If you want to perform a highly accurate adjustment, try BI-D ALL.

Alignment	Explanation
UNI-D	Use all ink colors except Light Cyan to align the print head unidirectionally.
BI-D 2-COLOR	Use Light Cyan and Vivid Light Magenta ink color to align the print head bidirectionally.
BI-D ALL	Use all ink colors to align the print head bidirectionally.

- 1** Press the ▲ / ▼ button to select ALIGNMENT, and then press the ▶ button.

- 2** Press the ▲ / ▼ button to select MANUAL, and then press the ▶ button.

- 3** Press the ▲ / ▼ button to select UNI-D, and then press the OK button to print the pattern.

**Note:**

When you print the pattern on a cut sheet media, you need to prepare several sheets. When the first page is printed, set the next paper.

- 4** Check the pattern and select the set number that has the smallest gaps.

- 5** When UNI-D #1 C appears on the LCD panel, press the ▲ / ▼ button to select the number, and then press the OK button.

- 6** Set the number for #1 C to #4 VLM, and press the OK button.

- 7** Press the ▲ / ▼ button to select BI-D 2-COLOR. Then press the OK button.


- 8** Check the pattern and select the set number that has the smallest gaps.

## Maintenance

**9** When BI-D 2-COLOR #1 LC appears on the LCD panel, press the ▲ / ▼ button to select the number, and then press the OK button.

**10** Set the number for #1 LC to #4 VLM, and then press the OK button.

If you are not satisfied with the result of this alignment, see the next section to try BI-D ALL.

After you set the patterns, press the  button to return to the READY state.

### Bi-D ALL alignment

**1** Press the ▲ / ▼ button to select BI-D ALL, and then press the OK button to print a pattern.

**Note:**

*When you print the pattern on a cut sheet media, you need to prepare several sheets. When the first page is printed, set the next paper.*

**2** Check the pattern and select the set number that has the smallest gaps.

**3** When BI-D ALL #1 C appears on the LCD panel, press the ▲ / ▼ button to select the number, and then press the OK button.

**4** Set the number for #1 C to #4 VLM, and then press the OK button.

## Cleaning the Printer

To keep your printer in top operating condition, clean it thoroughly if it becomes soiled.



**Caution:**

*Take care to prevent water or other foreign matter getting inside the printer. If moisture, dirt, or other matter gets inside of the printer, besides affecting print quality, it may cause the electric circuits to short.*

## Cleaning outside of the printer

**1** Remove the paper from the printer.

**2** Make sure the printer is turned off and all the lights are off, and then unplug the power cord from the electrical outlet.

**3** Use a soft, clean cloth to carefully remove any dust or dirt.

If the dirt does not come off, clean it using a soft, clean cloth dampened with a mild detergent. Then, wipe the outside of the printer with a dry, soft cloth.



**Caution:**

*Never use alcohol or thinners to clean the printer; these chemicals can damage the components as well as the case.*



## Maintenance

### Cleaning inside of the printer

If the print gets a scratch or smudge, follow the steps below to wipe off the smudge inside of the printer.

#### Cleaning the roller

If the print is soiled by ink on the roller, follow the steps below to clean the roller by feeding the plain paper.

- 1 Turn on the printer, and set the roll paper.

Set the roll paper of 44-inch width for Epson Stylus Pro 9900/9910 and 24-inch width for Epson Stylus Pro 7900/7910.

☞ See "Using Roll Paper" on page 31

- 2 Press the ▼ button to feed the paper.

Repeat step 2 for a few times until the paper is not soiled with ink.

Cut the paper after cleaning is done.

☞ See "Cutting the roll paper" on page 35

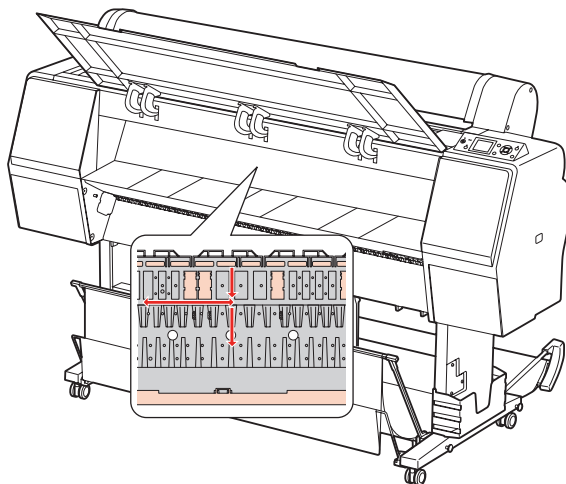
#### Cleaning inside

- 1 Make sure the printer is turned off and all the lights are off, and then unplug the power cord from the electrical outlet.

- 2 Leave the printer for a minute.

- 3 Open the front cover and use a soft, clean cloth to carefully clean away any dust or dirt inside the printer.

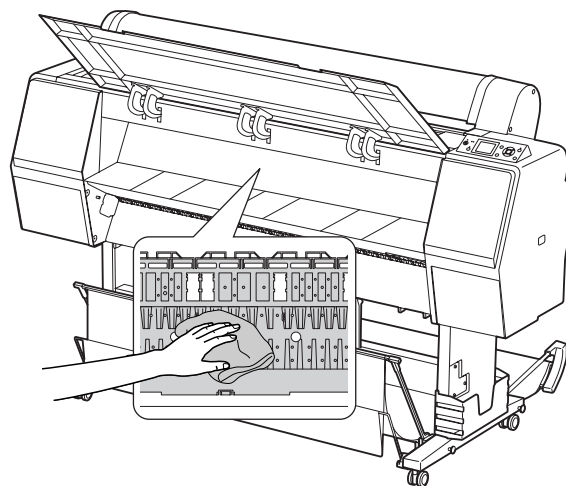
Wipe the gray part by following the directions of the arrows. If there is a serious problem of dirt on the inside of the printer, clean it using a soft, clean cloth dampened with a mild detergent. Then, wipe the inside of the printer with a dry, soft cloth.



#### Caution:

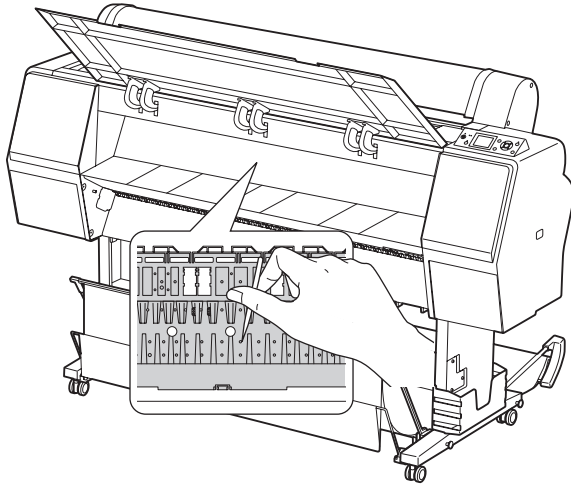
- ❑ Do not touch the light magenta parts (roller and ink absorption) in the illustration above; otherwise, prints may be soiled.
- ❑ Do not touch the ink tubes located inside the printer.

- 4 If the back of a print is soiled, wipe the gray part carefully.



## Maintenance

- 5** If some powdery paper dust is accumulated on the platen, use something like a toothpick to remove it.



## Keeping the Printer

When storing the printer, place it on a horizontal surface with the ink cartridges installed in the printer.



**Caution:**

*The printer must be kept flat. Do not tilt it, stand it on end, or turn it upside down.*

## If you do not use your printer for a long time

- ❑ If you do not use your printer for a long time, the print head nozzles may become clogged. We recommend that you print regularly to prevent clogging. Also, turn on the printer at least once a month, and leave it on for a few minutes.
- ❑ Do not leave the printer without ink cartridges; otherwise, the ink will dry out and the printer is not able to print properly. Even if you do not use the printer, leave all of the ink cartridges in the slots.
- ❑ Do not leave the paper in the printer for a long period of time; otherwise, the roller for securing the paper may leave a mark on the surface of the paper.

## If you have not used your printer for more than six months

- ❑ When activating **AUTO NOZZLE CHECK** in the panel settings, the printer checks the print head nozzles for clogging, and performs print head cleaning automatically if needed.
- ❑ If you have not used your printer for a long time, print a nozzle check pattern to check for clogging. If the nozzle check pattern is not good, perform head cleaning before printing your data.
  - ☞ See "Nozzle check" on page 76
  - ☞ See "Head cleaning" on page 78
  - ☞ See "Power cleaning" on page 80
- ❑ You need to perform head cleaning a few times before the nozzle check pattern is correctly printed. If the nozzles are still clogged after performing head cleaning three times, perform power cleaning.
  - ☞ See "Head cleaning" on page 78
  - ☞ See "Power cleaning" on page 80
- ❑ After performing the head cleaning a few times, turn off the printer and leave it overnight or longer, so that the ink may dissolve.
- ❑ If the nozzles are still clogged after trying the instructions above, contact your Epson dealer.

## Protecting the print head

This printer has a capping function that automatically puts a cap on the print head to keep it away from drying.

If the print head is left uncapped, the print quality may decline. When you are not using the printer, make sure the print head is located on the far right so that it is capped.

☞ See "Capping function" on page 81

## Transporting the Printer

When transporting the printer, repack the printer using the original box and packing materials to protect from shock and vibration.



### Caution:

- ❑ Do not remove the ink cartridges; otherwise, the print head nozzles may dry up or ink may leak from the cartridge.
- ❑ Be careful not to touch the parts unless you needed to; otherwise, the printer may be damaged.

## Repacking the printer

- 1 Turn off the printer, and then unplug the cables such as the power cord.
- 2 Remove the roll paper and roll media adapter if they are set in the printer.
- 3 Remove the paper basket if it is installed.
- 4 Remove the optional Auto Take-up Reel Unit or SpectroProofer Mounter if they are installed.
- 5 Open the front cover to install the protective material for fixing the print head, and then close the cover.

☞ See the *Unpacking and Setup Guide*

## Transporting the printer

When you transport the printer, be sure to repack the printer using the original box and packing materials.

**Caution:**

- ❑ When moving or transporting the printer, keep it flat. Do not tilt it, stand it on end, or turn it upside down. Doing so may cause the ink to leak inside the printer. Also, proper operation of the printer after moving or transportation cannot be guaranteed.
- ❑ When transporting the printer, repack the printer using the original box and packing materials to protect it from shock and vibration.
- ❑ When moving or transporting this product equipped with the stand on an uneven surface, lift the printer and carry it.
- ❑ When moving or transporting this product equipped with the stand, check all the screws for proper tightness on the stand afterward.

## Setting up the printer after transporting

The steps you need to take to set up the printer after transporting it are almost identical to the steps carried out the first time you set up the printer. When you set up the printer again, refer to the *Unpacking and Setup Guide*.

**1**

Make sure that the place is proper.

☞ See "Choosing a place for the printer" in the *Unpacking and Setup Guide*

**2**

Plug in the power cable to the electrical outlet, and turn on the printer.

☞ See "Setting up" in the *Unpacking and Setup Guide*

**3**

Perform a nozzle check to see if there are any missing dots.

☞ See "Nozzle check" on page 76

**4**

Perform the print head alignment to ensure print quality.

☞ See "Print head alignment" on page 82

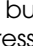
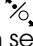
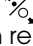

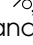
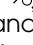
# Problem Solver

## Error Messages on the LCD Panel

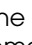
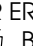
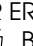
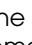


### Error messages

Messages are either status messages or error messages. Many common printer problems can be identified by the lights and messages on the LCD panel. See the following messages to solve problems.

### Error messages related to paper




Error messages	Description	What to do
PAPER OUT LOAD PAPER	No paper is loaded in the printer.	Load paper correctly. ☞ See "Using Roll Paper" on page 31 ☞ See "Using Cut Sheet Media" on page 38
	The  button has been pressed without paper set in the printer.	Press the  button to release the paper presser, and then set the paper.
	The paper runs out while printing is in progress.	Press the  button to release the paper presser, and then remove the paper. Then, load a new paper.
PAPER RELEASED LOAD PAPER	The paper presser is released.	Set the paper, and then press the  button.
PAPER SKEW LOAD PAPER PROPERLY	The paper is not loaded straight.	<ul style="list-style-type: none"> <li><input type="checkbox"/> It may not be printed in the printable area properly. Check the print result.</li> <li><input type="checkbox"/> Press the  button to release the paper presser, and then load the paper straight.</li> </ul> ☞ See "Using Roll Paper" on page 31 ☞ See "Using Cut Sheet Media" on page 38
PAPER SETTING ERROR CHECK THE PAPER SOURCE IN THE DRIVER SETTINGS AND LOAD PAPER CORRECTLY	The paper source selected in the printer driver and the printer's control panel do not match.	Check the Source setting in the printer driver and printer's control panel, and load the paper correctly.
PAPER CUT ERROR REMOVE UNCUT PAPER	Paper is not cut correctly.	<ul style="list-style-type: none"> <li><input type="checkbox"/> Press the  button to release the paper presser, and open the front cover. Then remove the uncut paper. ☞ See "Feeding or ejecting troubles" on page 107</li> <li><input type="checkbox"/> Paper cutter may be dull. Replace the paper cutter. ☞ See "Replacing the Cutter" on page 72</li> </ul>

## Problem Solver

Error messages	Description	What to do
CUTTER UNIT NEARING END OF SERVICE LIFE. RECOMMEND REPLACING THE CUTTER UNIT	Paper cutter may be dull.	Replace the paper cutter. ☞ See "Replacing the Cutter" on page 72
PAPER ERROR LOAD PAPER CORRECTLY REFER TO THE MANUAL	The paper is not loaded correctly.	Press the  button to release the paper presser, and remove the paper. Then, set the paper correctly. ☞ See "Using Roll Paper" on page 31 ☞ See "Using Cut Sheet Media" on page 38
PAPER SENSOR ERROR PRESS THE  BUTTON LOAD DIFFERENT PAPER	The barcode has not been read correctly.	Press the  button to clear the error, or press the  button to release the paper presser to set a different paper. ☞ See "Using Roll Paper" on page 31 ☞ See "Using Cut Sheet Media" on page 38
PAPER LOW	The roll paper is close to running out.	Replace the roll paper with a new one. ☞ See "Using Roll Paper" on page 31
BORDERLESS ERROR LOAD A SUPPORTED PAPER SIZE OR LOAD PAPER CORRECTLY	The paper installed is not supported for borderless printing.	Press the  button to cancel jobs, and then eject the paper. Then load a different size of paper. ☞ See "Using Roll Paper" on page 31 ☞ See "Using Cut Sheet Media" on page 38 ☞ See "Paper Information" on page 171
	The size of the cut sheet media is not recognized properly.	If the paper is wavy or slack, the printer cannot recognize the paper size correctly. In this case, flatten the paper before loading it in the printer. ☞ See "Using Cut Sheet Media" on page 38
	The paper is not set correctly.	Set the paper correctly in the printer. ☞ See "Using Roll Paper" on page 31 ☞ See "Using Cut Sheet Media" on page 38
PAPER EJECT ERROR REMOVE PAPER FROM PRINTER	The roll paper is used with the Sheet mode.	Press the  button to release the paper presser, and then remove the paper.
PAPER SIZE ERROR LOAD CORRECT PAPER SIZE	The loaded paper size does not match the data size.	Match the loaded paper size to the data size.
PAPER JAM REMOVE PAPER	The paper is jammed.	Remove the jammed paper. ☞ See "Feeding or ejecting troubles" on page 107



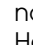










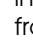


## Problem Solver

### Error messages related to the printer

Error messages	Description	What to do
FRONT COVER OPEN CLOSE FRONT COVER	The front cover is open.	Close the front cover.
INK COVER OPEN CLOSE RIGHT AND LEFT INK COVERS	The ink cover(s) is open.	Close the ink cover(s).
INK COVER OPEN CLOSE RIGHT INK COVER		
INK COVER OPEN CLOSE LEFT INK COVER		
CANNOT OPEN INK COVER IS ANYTHING OBSTRUCTING THE RIGHT INK COVER? PRESS INK COVER OPEN BUTTON	The ink cover(s) cannot be opened.	Remove any object if it is obstructing the ink cover(s). Then, press the  button again.
CANNOT OPEN INK COVER IS ANYTHING OBSTRUCTING THE LEFT INK COVER? PRESS INK COVER OPEN BUTTON		
F/W INSTALL ERROR UPDATE FAILED RESTART THE PRINTER	The printer fails to update the firmware.	Turn the printer off, and then restart the printer. Then, update the firmware using EPSON LFP Remote Panel 2 again.
PRINTER ERROR RESTART THE PRINTER	The printer needs to be restarted while recovering the error.	Turn the printer off, and after a while turn it on again.
COMMAND ERROR CHECK DRIVER SETTINGS	The printer receives data that is unsupported by the printer.	Stop printing, and press the  button to cancel the job and reset the printer.
	The printer receives data with a wrong command.	
	The installed printer driver is not correct for the printer.	Stop printing, and press the  button to cancel the job and reset the printer. Then make sure that the installed printer driver is correct for the printer.

## Problem Solver

### Error messages related to the maintenance


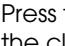
Error messages	Description	What to do
PAPER SENSOR ERROR PRESS THE  BUTTON LOAD THE CORRECT PAPER REFER TO THE MANUAL	The loaded paper is not proper for the Print Head Alignment.	Press the  button to clear the error. Press the  button to release the paper presser, and then load the paper that matches with the media type selected for the Print Head Alignment.   See "Print head alignment" on page 82
CLEANING ERROR AUTOMATIC HEAD CLEANING FAILED RETRY? YES NO	The automatic head cleaning has been performed, but the nozzles are still clogged.	Press the  button to clear the error, and perform cleaning again.   See "Nozzle check" on page 76  If the cleaning does not start, stop the printing from the computer, and turn the printer off and on again.
CLEANING ERROR NOT ENOUGH INK OR SPACE IN MAINT TANK CONTINUE CLEANING? YES (RECOMMENDED) NO	There is not enough ink or space in the maintenance tank to perform cleaning.	By clicking YES, the message to replace the ink cartridge or maintenance tank appears. Replace the ink cartridge or maintenance tank with a new one to continue cleaning.   See "Replacing Ink Cartridges" on page 66  See "Replacing the Maintenance Tank" on page 70
INK TOO LOW TO CLEAN REPLACE INK CARTRIDGE	There is not enough ink to perform cleaning.	Replace the ink cartridge with a new one.   See "Replacing Ink Cartridges" on page 66
INK TOO LOW TO CLEAN THE CARTRIDGE BEING USED CAN BE INSTALLED AGAIN FOR PRINTING	There is not enough ink to perform cleaning.	Replace the ink cartridge with a new one.   See "Replacing Ink Cartridges" on page 66
NO CARTRIDGE INSTALL INK CARTRIDGE	No ink cartridge is installed or the ink cartridge may not fit.	Install an ink cartridge correctly. Do not reinstall the ink cartridge that caused an error.   See "Replacing Ink Cartridges" on page 66
INK CARTRIDGE INK LOW REPLACE INK CARTRIDGE	The ink cartridge is expended.	Replace the ink cartridge with a new one.   See "Replacing Ink Cartridges" on page 66
BLACK INK MISMATCH THE TYPE OF BLACK INK IS DIFFERENT TO CANCEL PRINTING CANCEL THE PRINT JOB TO CONTINUE PRINTING CHANGE THE BLACK INK	The setting of the black ink cartridge differs from the printer and printer driver.	To cancel printing, press the  button. To continue printing, press the  button to change the black ink.   See "Changing the Black Ink" on page 60
INK LOW	The ink cartridge is nearly expended.	Replacement of the ink cartridge is nearly needed.   See "About ink cartridges" on page 68



## Problem Solver

Error messages	Description	What to do
INK CARTRIDGE ERROR REPLACE CARTRIDGE	The ink cartridge was found faulty. There may be a bad contact or dew condensation in the cartridge.	<ul style="list-style-type: none"> <li>❑ Remove the ink cartridge and reinstall it. If this message appears after reinstalling the ink cartridge, replace it with a new one. (Do not reinstall the ink cartridge that caused an error.) <ul style="list-style-type: none"> <li>➤ See "About ink cartridges" on page 68</li> <li>➤ See "Replacing ink cartridges" on page 69</li> </ul> </li> <li>❑ Condensation may occur in the ink cartridge so leave it at room temperature for at least four hours before installing the ink cartridge. <ul style="list-style-type: none"> <li>➤ See "Notes for replacing the ink cartridges" on page 68</li> </ul> </li> </ul>
NO MAINTENANCE TANK INSTALL THE LEFT SIDE MAINTENANCE TANK	The maintenance tank is not set in the printer.	Install the maintenance tank. ➤ See "Replacing the Maintenance Tank" on page 70
NO MAINTENANCE TANK INSTALL THE RIGHT SIDE MAINTENANCE TANK		
NOT ENOUGH EMPTY SPACE REPLACE THE RIGHT SIDE MAINTENANCE TANK	The maintenance tank is almost full so the cleaning cannot be performed.	Replace the target maintenance tank with a new one. ➤ See "Replacing the Maintenance Tank" on page 70
MAINTENANCE TANK NEARLY FULL	The maintenance tank is almost full.	Although you can continue printing, you need to replace the maintenance tank with a new one as soon as possible. ➤ See "Replacing the Maintenance Tank" on page 70
MAINTENANCE TANK ERROR REPLACE THE LEFT SIDE MAINTENANCE TANK	The maintenance tank is not correctly set in the printer.	Set the maintenance tank properly. If the same error occurs, replace the maintenance tank with a new one. ➤ See "Replacing the Maintenance Tank" on page 70
MAINTENANCE TANK ERROR REPLACE THE RIGHT SIDE MAINTENANCE TANK		
MAINTENANCE TANK FULL REPLACE THE LEFT SIDE MAINTENANCE TANK	The maintenance tank is full.	Replace the maintenance tank with a new one. ➤ See "Replacing the Maintenance Tank" on page 70
MAINTENANCE TANK FULL REPLACE THE RIGHT SIDE MAINTENANCE TANK		
INK CARTRIDGE PLEASE USE GENUINE EPSON INK CARTRIDGES	Non-genuine ink cartridge is installed.	Replace the ink cartridge with a genuine Epson ink cartridge. ➤ See "About ink cartridges" on page 68 ➤ See "Replacing ink cartridges" on page 69

## Problem Solver

Error messages	Description	What to do
INK CARTRIDGE NON-GENUINE CARTRIDGE! QUALITY OF NON-GENUINE INK MAY VARY  NON-GENUINE CARTRIDGE MAY NOT PERFORM AT OPTIMUM. CONTINUE?  DECLINE ACCEPT	Non-genuine ink cartridge is installed.	Select <b>DECLINE</b> to replace the ink cartridge with a genuine Epson ink cartridge. Selecting <b>ACCEPT</b> may void EPSON's warranty.  ↗ See "About ink cartridges" on page 68  ↗ See "Replacing ink cartridges" on page 69
INK CARTRIDGE ERROR PLEASE INSTALL THE CORRECT CARTRIDGE	An ink cartridge that cannot be used with this printer is installed.	Remove the ink cartridge, and install an ink cartridge that can be used with this printer.  ↗ See "About ink cartridges" on page 68  ↗ See "Replacing ink cartridges" on page 69
NOZZLE CHECK ERROR PRESS THE  BUTTON	Auto cleaning cannot be executed.	Press the  button to clear the error, and try the cleaning again.  ↗ See "Head cleaning" on page 78  When it is not started, cancel the cleaning from the computer, and turn the printer off and then on again.
NOZZLE CLOG DETECTED NOT ENOUGH INK OR SPACE IN MAINT TANK CONTINUE CLEANING? YES (RECOMMENDED) NO	There is not enough ink or space in the maintenance tank to perform cleaning.	By clicking <b>YES</b> , the message to replace the ink cartridge or maintenance tank appears. Replace the ink cartridge or maintenance tank with a new one to continue cleaning.  ↗ See "Replacing Ink Cartridges" on page 66  ↗ See "Replacing the Maintenance Tank" on page 70

## Problem Solver

### Error messages related to the options

Error messages	Description	What to do
TAKE-UP DISCONNECTED SET AUTO TAKE-UP REEL SYSTEM IN PRINTER AND RESTART THE PRINTER	Auto Take-up Reel Unit is not correctly installed in the printer.	Turn the printer off, and then install the Auto Take-up Reel Unit properly.  ☞ See "Using Auto Take-up Reel Unit (For Epson Stylus Pro 9900/9910 only)" on page 46
TAKE-UP DISCONNECTED AUTO TAKE-UP REEL UNIT IS DISCONNECTED DO YOU CONTINUE? NO YES	Auto Take-up Reel Unit is not correctly installed in the printer.	Select <b>NO</b> , and turn the printer off, and then install the Auto Take-up Reel Unit properly. If you select <b>YES</b> , the paper is ejected without using the Auto Take-up Reel Unit.  ☞ See "Using Auto Take-up Reel Unit (For Epson Stylus Pro 9900/9910 only)" on page 46
TAKE-UP ERROR CHECK THE STATUS OF AUTO TAKE-UP REEL UNIT AND RESTART THE PRINTER	The roll paper is not set to the Auto Take-up Reel Unit properly.	Press the <b>⏏</b> button to release the paper presser, and then set the roll paper to the Auto Take-up Reel Unit properly.  ☞ See "Using Auto Take-up Reel Unit (For Epson Stylus Pro 9900/9910 only)" on page 46
TAKE-UP ERROR IS ANYTHING OBSTRUCTING THE TAKE-UP REEL SENSOR SYSTEM? LOAD PAPER AGAIN	The Auto Take-up Reel Unit does not wind the paper.	Make sure there is no obstruction in the sensor system. Press the <b>⏏</b> button to release the paper presser, and then set the paper correctly in the Auto Take-up Reel Unit.  ☞ See "Using Auto Take-up Reel Unit (For Epson Stylus Pro 9900/9910 only)" on page 46
SProofer DISCONNECTED CONNECT SpectroProofer TO THE PRINTER AND RESTART THE PRINTER	The SpectroProofer is not connected to the printer properly.	Turn the printer off, and then connect the SpectroProofer to the printer properly.  ☞ See the <i>SpectroProofer Mounter 24"/44" Setup Guide</i>
ILS20EP DISCONNECTED REFER TO THE MANUAL AND CONNECT ILS20EP TO SpectroProofer RESTART THE PRINTER	The color measurement device (ILS20EP) is not connected properly.	Turn the printer off, and then connect the color measurement device (ILS20EP) to the SpectroProofer properly.  ☞ See the <i>SpectroProofer Mounter 24"/44" Setup Guide</i>

## Problem Solver

Error messages	Description	What to do
SpectroProofer ERROR REFER TO THE MANUAL TO FIND OUT HOW TO SOLVE THE PROBLEM NN *NN is the error number.	Error No. 01 The SpectroProofer is not connected to the printer properly.	Turn the printer off, and then remove the SpectroProofer from the printer. Connect the SpectroProofer to the printer properly, and then turn on the printer. ↗ See "Removing the Mounter" in the <i>SpectroProofer Mounter 24"/44" User's Guide</i> ↗ See the <i>SpectroProofer Mounter 24"/44"</i> <i>Setup Guide</i> If the same error occurs, contact your dealer.
	Error No. 13 The paper presser does not function properly due to one of the following factors: <ul style="list-style-type: none"> <li>❑ The backing is not attached properly.</li> <li>❑ There are some foreign objects between the paper presser and backing.</li> <li>❑ The media type is not supported.</li> <li>❑ The product is used out of its operational environment.</li> </ul>	<ul style="list-style-type: none"> <li>❑ Turn off the printer, and then remove the SpectroProofer. If there are objects such as packing materials around the backing, remove them. Then, attach the backing properly, and then turn on the printer.                ↗ See the <i>See the SpectroProofer Mounter 24"/44" User's Guide</i>                ↗ See the <i>SpectroProofer Mounter 24"/44" Setup Guide</i> </li> <li>❑ Check the media type and system requirements.                ↗ See "Supported Media" and "System Requirements" in the <i>SpectroProofer Mounter 24"/44" User's Guide</i> </li> </ul> If the same error occurs, contact your dealer.
	Error No. 15 The Color Measurement Device carriage does not function properly due to one of the following factors: <ul style="list-style-type: none"> <li>❑ There is some foreign object in the moving range of the carriage.</li> <li>❑ The backing is not attached properly.</li> <li>❑ The white calibration tile holder is not installed properly.</li> <li>❑ The media type is not supported.</li> <li>❑ The product is used out of its operational environment.</li> </ul>	<ul style="list-style-type: none"> <li>❑ Turn off the printer, and then remove the SpectroProofer. If there are objects such as packing materials around the backing, remove it. Then, attach the backing properly and turn on the printer.                ↗ See the <i>See the SpectroProofer Mounter 24"/44" User's Guide</i>                ↗ See the <i>SpectroProofer Mounter 24"/44" Setup Guide</i> </li> <li>❑ Check the media type and system requirements.                ↗ See "Supported Media" and "System Requirements" in the <i>SpectroProofer Mounter 24"/44" User's Guide</i> </li> </ul> If the same error occurs, contact your dealer.
	Error No. 12, 14, D5, D6, 65 The SpectroProofer has an error.	Note the code and contact your dealer.

## Problem Solver

Error messages	Description	What to do
SProofer DISCONNECTED SpectroProofer IS DISCONNECTED DO YOU CONTINUE? NO YES	The SpectroProofer is not connected to the printer properly.	Select <b>NO</b> , and then turn the printer off, and then connect the SpectroProofer to the printer properly. If you select <b>YES</b> , the printer continues printing.  ☞ See the <i>SpectroProofer Mounter 24"/44" Setup Guide</i>
DEVICE ALIGNMENT ADJUSTMENT NOT COMPLETE	The initial settings have not been made for the SpectroProofer.	Refer to the following guide to make initial settings to the SpectroProofer.  ☞ See the <i>SpectroProofer Mounter 24"/44" User's Guide</i>
ILS20EP DISCONNECTED ILS20EP IS DISCONNECTED DO YOU CONTINUE? NO YES	The color measurement device (ILS20EP) is not connected properly.	Select <b>NO</b> , and then turn the printer off, and then connect the color measurement device (ILS20EP) properly. If you select <b>YES</b> , the printer continues printing.  ☞ See the <i>SpectroProofer Mounter 24"/44" Setup Guide</i>

## Service call / Maintenance call

Error messages	Description	What to do
MAINTENANCE REQUEST NNNN	A part used in the printer has nearly reached the end of its life.	Note the code and contact your dealer.  ☞ See "When the maintenance call error occurs" on page 98
CALL FOR SERVICE NNNN CONTACT THE REPAIR CENTER	If 3000 appears, the power cord is not plugged into the electrical outlet or the AC inlet of the printer properly	Turn the printer off. Plug the power cord into the electrical outlet or the AC inlet of the printer properly. Then, turn the printer on and off a few times. If this message appears on the LCD panel again, contact your dealer.  ☞ See "When the service call error occurs" on page 98
	A fatal error has occurred.	Turn the printer off, leave it for a while, and turn the printer on again. If this message appears on the LCD panel again, note the code and contact your dealer.  ☞ See "When the service call error occurs" on page 98

---

## When the maintenance call error occurs

A maintenance call warns you to replace the consumables with a new one very soon. If MAINTENANCE CALL NNNN is displayed on the LCD panel, contact your dealer and tell them the maintenance call code. If you continue to use the printer, the service call error occurs.

---

## When the service call error occurs

A service call error occurs when:

- The power cord is not plugged properly into the electrical outlet or the power connector of the printer.
- An fatal error has occurred.

When a service call has occurred, SERVICE CALL ERROR NNNN appears and the printer stops printing. Turn off the printer, and then check that the power cord is plugged properly into the electrical outlet or the power connector of the printer. Plug the power cord properly and then turn on the printer. If the service call error is cleared, you can continue to use the printer. If the same service call error is displayed on the LCD panel, contact your dealer for assistance. Tell them the service call code is "NNNN".

# Troubleshooting

## You cannot print (because the printer does not work)

Cause	What to do
The printer does not turn on.	<p><b>Is the power cord plugged into the electrical outlet or the printer?</b> Make sure the power cord is securely plugged into the printer.</p> <p><b>Is there any problem with the electrical outlet?</b> Make sure your outlet works by trying to connect the power cord of another electric product.</p>
The printer driver is not installed properly (Windows).	<p><b>Is the printer icon in the Printers and Faxes or Printers folder?</b></p> <p><input type="checkbox"/> Yes The printer driver is installed. Check the port, as described in the next item.</p> <p><input type="checkbox"/> No The printer driver is not installed. Install the printer driver. <i>☞ See the <i>Unpacking and Setup Guide</i></i></p>
	<p><b>Does the printer port setting match the printer connection port?</b> Check the printer port.</p> <p>Click the <b>Ports</b> tab in the printer driver's Properties dialog box, and check the printer port.</p> <p><input type="checkbox"/> (USBxxx) (x stands for the port number) for the USB connection</p> <p><input type="checkbox"/> A correct IP address for the network connection</p> <p>If it is not indicated, the printer driver is not correctly installed. Uninstall the printer driver and reinstall it. <i>☞ See "Uninstalling the printer driver" on page 118</i></p>
The printer driver is not installed properly (Mac OS X).	<p><b>Is the printer added to the printer list?</b></p> <p>For Mac OS X 10.3.9 to 10.4:</p> <ol style="list-style-type: none"> <li>1. Double-click the hard disk icon.</li> <li>2. Double-click the <b>Applications</b> folder, and then double-click the <b>Utility</b> folder.</li> <li>3. Double-click the <b>Printer Setup Utility</b> icon.</li> </ol> <p>If the printer name is not displayed, see the following to add the printer.</p> <p>For Mac OS X 10.5:</p> <ol style="list-style-type: none"> <li>1. Double-click the hard disk icon.</li> <li>2. Double-click the <b>Applications</b> folder, and then double-click the <b>System Preferences</b> folder.</li> <li>3. Double-click the <b>Printer &amp; Fax</b> icon.</li> </ol> <p>If the printer name is not displayed, see the following to add the printer.</p>

## Problem Solver

Cause	What to do
The printer is not correctly connected to the computer.	<p><b>Is the cable plugged properly?</b> Make sure the printer's interface cable is securely plugged into the correct terminal of the computer. Also, make sure the cable is not broken nor bent. If you have a spare cable, try with the spare cable.</p> <p><b>Does the interface cable specification match the specifications for the computer?</b> Make sure the interface cable specifications match the specifications for the printer and computer. ☞ See "Connection requirements" on page 189</p> <p><b>Is the interface cable directly connected to the computer?</b> Make sure the interface cable is directly connected to the computer without passing through any device, such as a printer switching device, or extension cable.</p> <p><b>When using a USB hub, is it being used correctly?</b> In the USB specification, daisy-chains of up to five USB hubs are possible. However, we recommend that you connect the printer to the first hub connected directly to the computer. Also, some hubs may cause unstable operation. If problems occur, connect the printer directly to the USB port of the computer.</p> <p><b>Is the USB hub recognized correctly? (Windows)</b> Make sure the USB hub is recognized correctly in the computer. If the USB hub is recognized correctly, unplug all of the USB hubs from the computer's USB port, and then connect the printer's USB connector directly to the computer's USB port. Ask the USB hub manufacturer about USB hub operation.</p>
The printing is not available under the network environment.	<p><b>Are the network settings correct?</b> Ask your network administrator for the network settings.</p> <p><b>Connect the printer directly to the computer using a USB cable, and then try to print.</b> If you can print through USB, there are some problems on the network environment. Ask your system administrator, or refer to the manual for your network system. If you cannot print, see the appropriate section in this manual.</p>
The printer has an error.	<p><b>Confirm if errors have occurred in the printer by checking the lights and messages on the printer's control panel.</b> ☞ See "Lights" on page 13 ☞ See "Error Messages on the LCD Panel" on page 89</p>



## Problem Solver

Cause	What to do
The printer stops printing.	<p><b>Is the status of print queue "paused"? (Windows)</b> If you stop printing or the printer stops printing because of some troubles, the status of print queue becomes "paused". You cannot print in this condition. Double-click the printer icon in the <b>Printers</b> folder, and select <b>Pause Printing</b> from the Printer menu to clear the check box.</p> <p><b>Is the status in the Print Center or Printer Setup Utility "Pausing"? (Mac OS X)</b> For Mac OS X 10.3.9 to 10.4:</p> <p>If you click <b>Stop Jobs</b> in the Printer Setup Utility, the printer does not start printing until it is released.</p> <ol style="list-style-type: none"> <li>1. Double-click the <b>Applications</b> folder, and then double-click the <b>Utility</b> folder. Then, double-click the <b>Printer Setup Utility</b> icon.</li> <li>2. Double-click the printer that is pausing.</li> <li>3. Click the job that is paused, and then click <b>Start Jobs</b>.</li> </ol> <p>If the Print Center or Printer Setup Utility is displayed in the Dock, you can follow the steps below.</p> <ol style="list-style-type: none"> <li>1. In the Dock, click the <b>Print Center</b> or <b>Printer Setup Utility</b> icon.</li> <li>2. Double-click the printer that is pausing.</li> <li>3. Click the job that is paused, and then click <b>Start Jobs</b>.</li> </ol> <p>For Mac OS X 10.5:</p> <p>If you click <b>Stop Jobs</b> in the Printer &amp; Fax, the printer does not start printing until it is released.</p> <ol style="list-style-type: none"> <li>1. Double-click the <b>Applications</b> folder, and then double-click the <b>System Preferences</b> folder. Then, double-click the <b>Printer &amp; Fax</b> icon.</li> <li>2. Double-click the printer that is pausing.</li> <li>3. Click the job that is paused, and then click <b>Start Jobs</b>.</li> </ol>
Your trouble is not listed here.	<p><b>Decide whether the trouble is caused by the printer driver or the application software.</b> Perform a test print from the printer driver so you can tell that the connection between the printer and computer is correct and the printer driver settings are correct.</p> <ol style="list-style-type: none"> <li>1. Make sure that the printer is in the READY state, and set a sheet of A4 or larger.</li> <li>2. From the <b>Start</b> menu, open the <b>Printers and Faxes</b> or <b>Printer</b> folder.</li> <li>3. Right-click the target printer icon, and select <b>Properties</b>.</li> <li>4. In the <b>General</b> tab, click the <b>Print Test Page</b> button.</li> </ol> <p>After a while the printer starts to print a test page.</p> <ul style="list-style-type: none"> <li><input type="checkbox"/> If the test page is printed correctly, the connection between the printer and computer is correct. Go to the next section.</li> <li><input type="checkbox"/> If the test page is not printed correctly, check the items above again. ☞ See "You cannot print (because the printer does not work)" on page 99</li> </ul> <p>* "Driver Version" shown on the test page is the version of the driver installed in Windows. It is not the Epson printer driver version that you installed.</p>

---

**Problem Solver**


---



---

**The printer sounds like it is printing, but nothing prints**


---


Cause	What to do
<p>The ink cartridges may have a problem.</p>	<p><b>If the print head moves, but nothing prints, confirm the printer operation.</b>            Print a nozzle check pattern. You can check the printer's operation and status without connecting the printer to the computer.            ↪ See "Nozzle check" on page 76</p> <p><b>If the nozzle check pattern has missing dots, perform a print head cleaning.</b>            ↪ See "Head cleaning" on page 78</p> <p>If you replace the ink cartridges while the printer is turned off, the remaining amount of ink cannot be detected correctly so that the Ink Check light does not come on even when the ink cartridge needs to be replaced; otherwise you cannot print correctly. Be sure to follow the instructions in this manual to replace the ink cartridge.            ↪ See "Replacing Ink Cartridges" on page 66</p> <p><b>Has the printer not been used for a long time?</b>            If the printer has not been used for a long time, the nozzles are dried and may be clogged. See the following section.            ↪ "If you have not used your printer for more than six months" on page 87</p>

## Problem Solver

### The prints are not what you expected

Cause	What to do
<p>Print quality is poor, uneven, too light, or too dark.</p>	<p><b>Are the print head nozzles clogged?</b> If the nozzles are clogged, the print quality is reduced. Print the nozzle check pattern.</p> <p>If you replace the ink cartridges while the printer is turned off, the remaining of the ink cannot be detected correctly so that the Ink Check light is not on even the ink cartridge is needed to be replaced or you cannot print correctly. Be sure to follow the instructions in this manual to replace the ink cartridge. ☞ See "Replacing Ink Cartridges" on page 66</p> <p><b>Is there any gap in the print head during bidirectional printing?</b> With bidirectional printing, the print head prints while moving left and right. If the print head is misaligned, ruled lines may be printed misaligned with gaps. If vertical ruled lines are misaligned with bidirectional printing, adjust the gap. ☞ See "Print head alignment" on page 82</p> <p><b>Are you using a genuine Epson ink cartridge?</b> If you use the non-Epson ink cartridge, the prints may smear, or the color of the printed image may be changed because the ink end is not correctly detected. Be sure to use the correct ink cartridge.</p> <p><b>Are you using an old ink cartridge?</b> The print quality decreases when an old ink cartridge is used. Replace the old ink cartridge with a new one. Be sure to use the ink cartridge before the expiry date (within six months after installing to the printer).</p> <p><b>Is the media type setting correct?</b> It affects the print quality if the paper you have selected in the Main menu (Windows) or Print Settings dialog (Mac OS X) does not match with the paper that is loaded in the printer. Be sure to match the media type setting with the paper that is loaded in the printer.</p> <p><b>Did you select Speed for Print Quality?</b> The print quality may decrease when you select Speed rather than Quality. If you want to improve your print quality, select Quality for the Print Quality setting in the Main menu.</p> <p><b>Are you using PhotoEnhance?</b> Photo Enhance provides a variety of image-correction settings for the image data of which contrast or brightness is not appropriate. Because of that, if Photo Enhance is enabled, the color of the prints may differ from the color you see on the display. ☞ See "Auto Color Adjustment by PhotoEnhance (Windows only)" on page 128</p> <p><b>Have you made color adjustment settings?</b> The color is produced differently because the output devices (such as display, printer) are different. In order to reduce the differences in color between each device, perform color adjustment. ☞ See "Using Color Management" on page 164</p>

## Problem Solver

Cause	What to do
Print quality is poor, uneven, too light, or too dark.	<p><b>Have you compared the printing result with the image on the display monitor?</b>            Since monitors and printers produce colors differently, printed colors will not always match on-screen colors perfectly.</p> <ul style="list-style-type: none"> <li>❑ Televisions and monitors produce a range of colors by combining the 3 colors known as the 3 primary colors of light, red (R), green (G), and blue (B). When none of the lights are shining, the result is black, and when all 3 colors are shining, the result is white.</li> <li>❑ However, color gravure printing and color printers use a combination of the 3 primary colors of pigment, yellow (Y), magenta (M), and cyan (C). When no color is applied, the result is white, and when all 3 colors are mixed evenly, the result is black.</li> <li>❑ Printing a scanned image necessitates the changes from the original image (CMY) to the monitor (RGB) then to the print (CMY), making color matching even more difficult. In this case, color matching between the devices is handled by ICM (Windows) or ColorSync (Mac OS X).</li> </ul> <p><b>When using a color management system such as ICM (Windows) or ColorSync (Mac OS X), have you set a monitor profile?</b>            For proper management, the input devices and applications used must support ICM (Windows) or ColorSync (Mac OS X). Also, it is necessary to set the profile for the monitor that you are using.</p> <p><b>Did you open the front cover during printing?</b>            If the front cover is opened during printing, the carriage stops suddenly causing unevenness in the color. Do not open the front cover during printing.</p> <p><b>Does INK LOW appear on the LCD panel?</b>            The print quality may decrease when the ink is nearly expended. Replace the ink cartridge with a new one. If the print quality is not good after replacing the ink cartridge, perform head cleaning a few times.</p>
The color is not the same as another printer.	<p><b>Colors vary depending on the printer type due to each printer's characteristics.</b>            Since each printer differs according to the model, such as the ink, printer driver, and printer profile, hence each printer's results slightly differ as well. You can achieve similar colors with the same color adjustment method (sRGB or Adobe RGB) or gamma setting by using the printer driver.   See "Using Color Management" on page 164</p> <p>To match the color precisely, use the color measurement device to perform color management.</p>

## Problem Solver

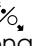
Cause	What to do
The print is not positioned properly on the paper.	<p><b>Have you specified the print area?</b> Check the print area in the settings of the application and printer.</p> <p><b>Is the paper size setting correct?</b> If the Paper Size setting and the size of the actual paper do not match, the print may not be where you want it, or part of it may be cut off. In this case, check the print settings.</p> <p><b>Is the paper skewed?</b> If PAPER SKEW CHECK in the panel settings is OFF, the paper is printed even if it is skewed. In this case, the print will not be in the print area. Set PAPER SKEW CHECK to ON in the Menu mode. ☞ See "PRINTER SETUP" on page 21</p> <p><b>Does the print data fit within the paper width?</b> If the print image is bigger than the paper width, printing normally stops. However, if the PAPER SIZE CHECK is OFF, the paper is printed even if the paper width is exceeded. Set PAPER SIZE CHECK to ON in the Menu mode. ☞ See "PRINTER SETUP" on page 21</p> <p><b>Is the roll paper margin set to 15 mm or 35 mm?</b> With auto rotation, or if you print to the full width of the paper (printing at A1 vertical size on 24-inch wide roll paper, or printing at A2 horizontal size), if the ROLL PAPER MARGIN is set to 15 mm or 35 mm, the data extending beyond the print area on the right side of the paper is not printed. Set ROLL PAPER MARGIN to 3 mm. ☞ See "PRINTER SETUP" on page 21</p>
Left/right ruled lines are bumpy.	<p><b>Is the print head misaligned (leaving gaps)? (during bidirectional printing)</b> With bidirectional printing, the print head prints while moving left and right. If the print head is misaligned, ruled lines may be printed misaligned with gaps. If vertical ruled lines are misaligned with bidirectional printing, adjust the gap. ☞ See "Print head alignment" on page 82</p>
The printed surface is scuffed or soiled.	<p><b>Is the paper too thick or too thin?</b> Check that the paper is a specification that can be used with this printer. For information about the media types and appropriate settings for printing on paper from other manufacturers or when using a raster image processor (RIP), please refer to the handling instructions for the paper, or contact the retailer of the paper or the manufacturer of the RIP.</p> <p><b>Is the print head scuffing the printed surface with thick paper?</b> When using thick paper, the print head may scuff the printed surface. In this case, set PLATEN GAP to a point between WIDE and WIDEST. ☞ See "PRINTER SETUP" on page 21</p>
The paper is creased.	<p><b>Are you using the printer at normal room temperature?</b> Epson's special paper should be used at normal room temperature (temperature: 15 to 25°C, humidity: 40 to 60%). For information about paper such as thin paper from other manufacturers that requires special handling, refer to the relevant handling instructions.</p> <p><b>When using paper other than Epson special media, have you set the paper characteristics?</b> When using paper other than Epson special media, set the paper characteristics (custom paper) before printing. ☞ See "Printing with Non-Epson Media" on page 157</p>

## Problem Solver

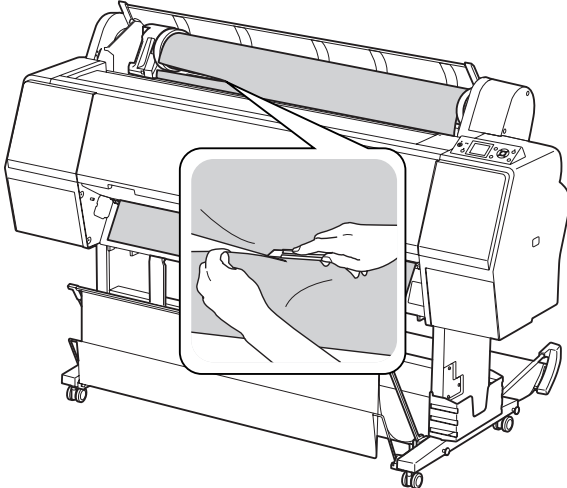

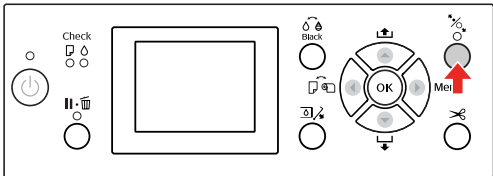
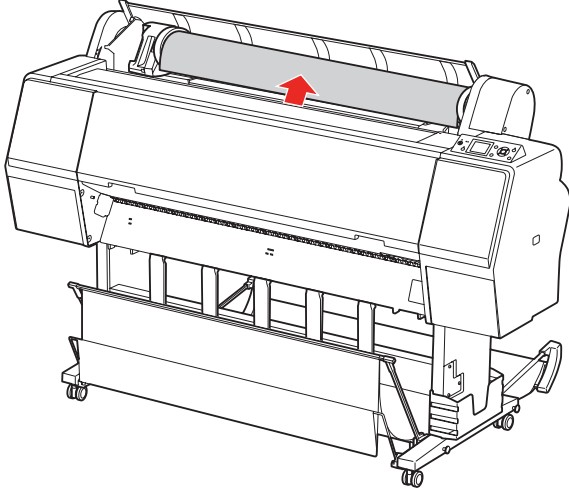
Cause	What to do
The back of the printed paper is soiled.	<p><b>Set PAPER SIZE CHECK to ON in the Menu mode.</b> If the print image is bigger than the paper width and the PAPER SIZE CHECK is OFF, the image is still printed extending beyond the print area, causing the inside of the printer to become soiled. In order to keep the inside of the printer clean, set PAPER SIZE CHECK to ON in the Menu mode. ☞ See "PRINTER SETUP" on page 21</p>
Too much ink is being released.	<p><b>Is the Media Type setting correct?</b> Make sure that the paper settings of the printer match the paper that you are using. The discharge of ink is controlled in accordance with the media type. If you print on plain paper using the photo paper setting, too much ink will be discharged for the type of paper.</p> <p><b>Is the Color Density setting correct?</b> Lower the density of the ink in Paper Configuration dialog box in the printer driver. The printer may be discharging too much ink for the paper. See the online help of the printer driver for detailed information on the Paper Configuration dialog box.</p>
Margins appear with borderless printing.	<p><b>Are the settings for the print data in the application correct?</b> Ensure that the paper settings in the application are correct as well as in the printer driver. ☞ See "Borderless Printing" on page 136</p> <p><b>Are the paper settings correct?</b> Make sure that the paper settings of the printer match the paper that you are using. ☞ See "Paper Information" on page 171</p> <p><b>Have you changed the amount of enlargement?</b> Adjust the amount of enlargement for borderless printing. Margins may appear if you set the amount of enlargement to Min. ☞ See "Borderless Printing" on page 136</p> <p><b>Is the paper stored correctly?</b> The paper may expand or contract if it is not stored correctly so that margins appear even when borderless is set. Refer to the handling instructions for the paper for correct storage.</p> <p><b>Are you using paper that supports borderless printing?</b> Paper that is not intended for borderless printing may expand or contract during use so that margins appear even when borderless is set. We recommend that you use the recommended paper for borderless printing. ☞ See "Paper Information" on page 171</p> <p><b>Try to adjust the cutter.</b> When there are margins on the top and bottom of the roll paper while performing borderless printing, try CUTTER ADJUSTMENT. It may reduce the margins. ☞ See "MAINTENANCE" on page 23</p>

## Problem Solver

### Feeding or ejecting troubles

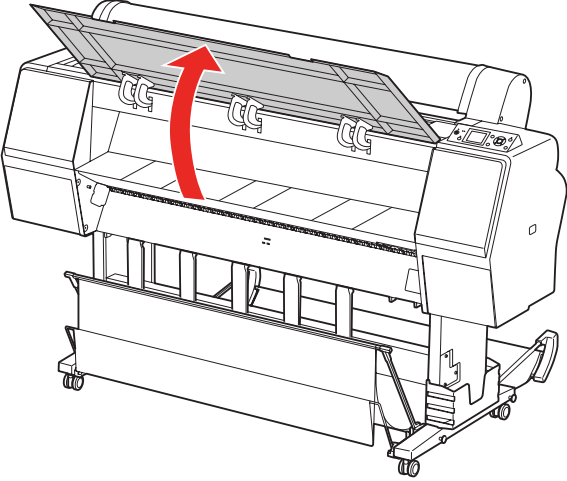
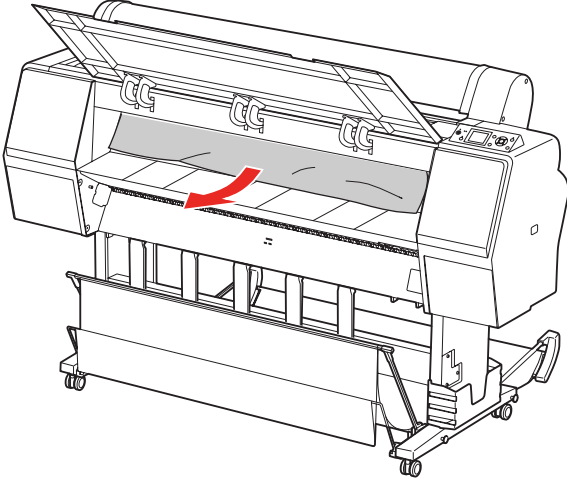
Cause	What to do
Unable to feed or eject paper.	<p><b>Is the paper loaded in the right position?</b> Refer to the following for the correct position to load the paper. ☞ See "Paper Handling" on page 30</p> <p>If the paper is loaded correctly, check the condition of the paper that you are using.</p> <p><b>Is the paper loaded vertically?</b> Single sheets should always be loaded vertically. If they are loaded horizontally, the paper is not recognized and an error occurs. ☞ See "Supported Media" on page 30</p> <p><b>Is the paper creased or folded?</b> Do not use old paper or paper with folds in it. Always use new paper.</p> <p><b>Is the paper damp?</b> Do not use paper that is damp. Also, Epson special media should be left in the bag until you intend to use it. If it is left out for a long time the paper curls up and gets damp so that it does not feed properly.</p> <p><b>Is the paper wavy or slack?</b> Single sheet paper becomes wavy or slack due to changes in temperature or humidity which may result in the printer being unable to recognize the paper size correctly. In this case, flatten the paper before loading it in the printer.</p> <p><b>Is the paper too thick or too thin?</b> Check that the paper is a specification that can be used with this printer. For information about the paper types and appropriate settings for printing on paper from other manufacturers or when using a raster image processor (RIP), please refer to the handling instructions for the paper, or contact the retailer of the paper or the manufacturer of the RIP.</p> <p><b>Are you using the printer at normal room temperature?</b> Epson special media should be used at normal room temperature (temperature: 15 to 25°C, humidity: 40 to 60%).</p> <p><b>Is the paper jammed in the printer?</b> Open the front cover of the printer and check that there are no paper jams or foreign objects in the printer. If there is a paper jam, remove the paper while referring to the following. ☞ See "To remove jammed paper, follow the steps below:" on page 108</p>
Unable to rewind the roll paper.	<p><b>Is the status of the printer after the paper cut but in the READY state?</b> Rewinds the roll paper automatically when pressing the  button in the waiting mode after cutting the paper. If you use the optional Auto Take-up Reel Unit, the printer does not rewind the paper.</p>

**Problem Solver**

Cause	What to do
<p>The paper is jammed.</p>	<p><b>To remove jammed paper, follow the steps below:</b></p> <ol style="list-style-type: none"> <li>1. If roll paper is jammed, open the roll paper cover and cut the paper at the paper insertion slot.</li> </ol>  <ol style="list-style-type: none"> <li>2. Make sure that the Pause light is not flashing, and then press the  button to release the paper presser.</li> </ol>  <ol style="list-style-type: none"> <li>3. Rewind the roll paper.</li> </ol> 



## Problem Solver

Cause	What to do
The paper is jammed	<p>4. Open the front cover if the paper is jammed inside the printer.</p>  <p>Caution: Be careful not to touch the cables around the print head; otherwise, the printer may be damaged.</p> <p>5. Carefully remove the jammed paper.</p> <p>Be careful not to touch the roller, ink absorption, and ink tubes inside the printer.</p>  <p>6. Close the front cover, and then turn the printer off and back on.</p> <p>To load the paper, see the following section.</p> <ul style="list-style-type: none"> <li>☞ "Using Roll Paper" on page 31</li> <li>☞ "Using Cut Sheet Media" on page 38</li> </ul>

## Problem Solver

### Other troubles

Cause	What to do
Color ink runs out quickly even when printing in the Advanced B&W Photo mode or when printing black data.	<p><b>Color ink is consumed in print head cleaning.</b> When print head cleaning is performed, all nozzles are cleaned so that the ink for all colors is consumed. (Even when Advanced B&amp;W Photo mode is selected, the ink for all colors is consumed during cleaning.) However, when you specify nozzles using <b>CLEAN EACH COLOR</b> in the <b>MAINTENANCE</b> menu, you can save the inks when you perform cleaning.</p> <p>☞ See "Head cleaning" on page 78</p>
The printer driver is not the latest version.	<p><b>Please obtain the latest printer driver.</b> Normally the printer driver packaged with the printer can be used without any problems. However, when applications are upgraded, it may be necessary to upgrade the printer driver. In this case, access the Epson Web site to obtain the latest printer driver.</p>
The paper is not cut cleanly.	<p><b>Replace the cutter.</b> If the paper is not cut cleanly or the cut edge is fuzzy, replace the cutter.</p> <p>☞ See "Replacing the Cutter" on page 72</p>
There are copies of the printer driver in Windows.	<p><b>Have you installed the same printer driver several times?</b> If you install the driver for this printer when the driver for the printer is already installed in Windows, icons labeled as copies appear in the <b>Printer</b> or <b>Printers and Faxes</b> folder (e.g., (EPSON Stylus Pro 9900 (Copy 2)), (EPSON Stylus Pro 9900 (Copy 3))) You may delete the copies and leave the icon of the original driver. If at least one icon remains for the printer in the printer folder, the printer driver itself is not deleted even if the other icons are deleted.</p>
The red light is on inside the printer.	<p><b>This is not a failure.</b> The red light is a lamp inside the printer.</p>
The plastic part in the roll paper cover comes off.	<p><b>Reattach the part.</b> Reattach the plastic part from the rear side of the printer, keeping the roll paper cover closed. Insert the part from its top edge into the roll paper cover.</p>

## Using the Printer Software (Windows)

# Using the Printer Software (Windows)

## Printer Software Introduction

The printer software CD-ROM includes the following software. See its online help for detailed information for each software.

- ❑ Printer driver
- ❑ EPSON Status Monitor 3
- ❑ EPSON LFP Remote Panel 2

**Note:**

The dialog box may differ depending on the version of the printer software.

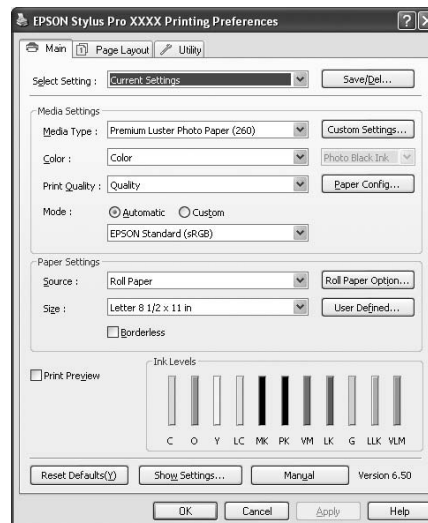
## Printer driver

The printer driver lets you print documents from applications to the printer.

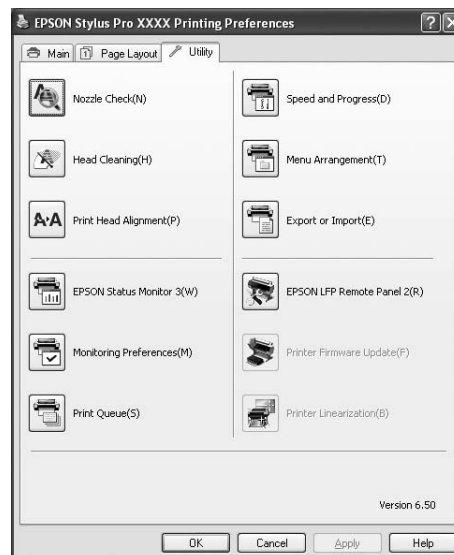
The following are the main functions of the printer driver:

- ❑ Sends the print data to the printer.

- ❑ Makes the printer settings, such as the media type, paper size. You can register these settings, and you can also easily import or export these registered settings.



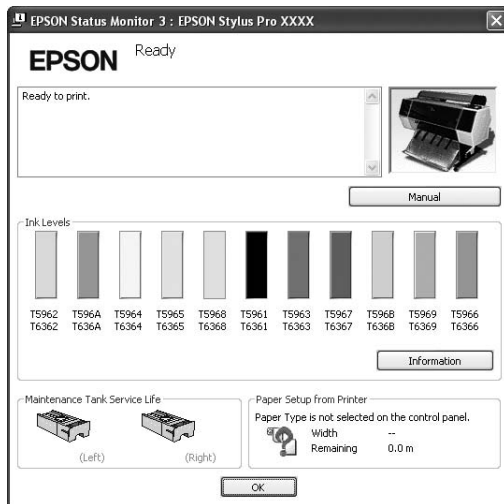
- ❑ Executes the printer maintenance functions and sets the operation of the printer driver in the **Utility** tab. You can also import or export printer settings.



## Using the Printer Software (Windows)

## EPSON Status Monitor 3

This utility provides you with printer status information, such as the ink cartridge status, the free space of the maintenance tank, and it also checks for printer error. EPSON Status Monitor 3 is installed with the printer driver automatically.



## EPSON LFP Remote Panel 2

EPSON LFP Remote Panel 2 gives the user a broad range of control over the printer, to update the firmware or register the custom paper.



## Accessing the Printer Driver

You can access the printer driver in the following ways:

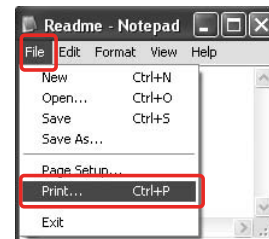
- From Windows applications
- From the Printer icon

### From Windows applications

Access the printer driver from your application when you make the print settings.

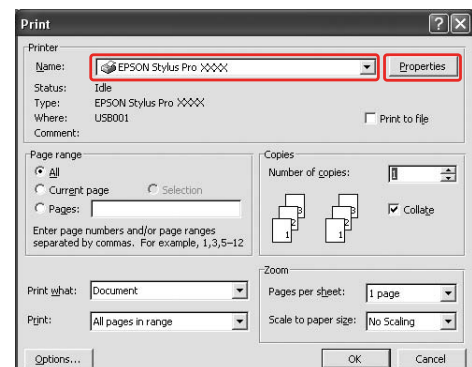
The following procedures may differ depending on the application you use.

- 1 From the File menu, select **Print** or **Page Setup**.



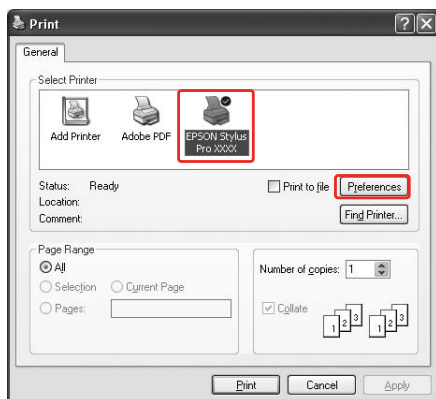
- 2 Make sure your printer is selected, and click **Printer, Setup, Options, Properties, or Preferences**.

Example:

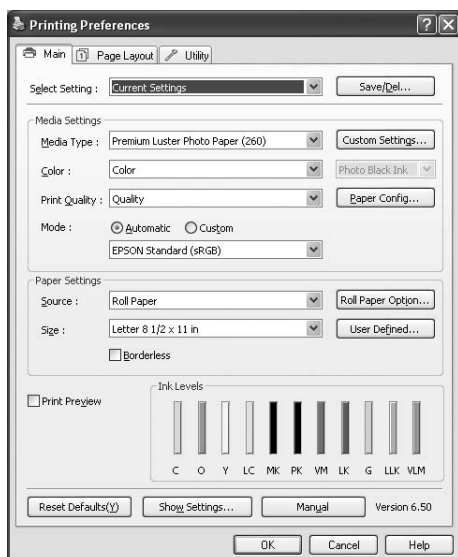


## Using the Printer Software (Windows)

Example:



The printer driver window appears.



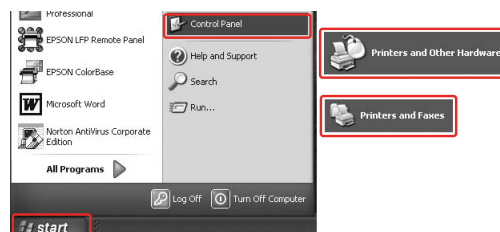
Make the settings as necessary, and then start printing.

## From the Printer icon


When you make common settings or perform printer maintenance, such as Nozzle Check, Head Cleaning, access the printer driver from the Printer icon.

- 1 Open the **Printers and Faxes** or **Printers** folder.

For Windows XP:  
Click **Start**, click **Control Panel**, click **Printers and Other Hardware**, and then click **Printers and Faxes**.



**Note:**  
*If your Control Panel is in the Classic View, click **Start**, click **Control Panel**, and then click **Printers and Faxes**.*

For Windows Vista:  
Click , click **Control Panel**, click **Hardware and Sound**, and then click **Printers**.

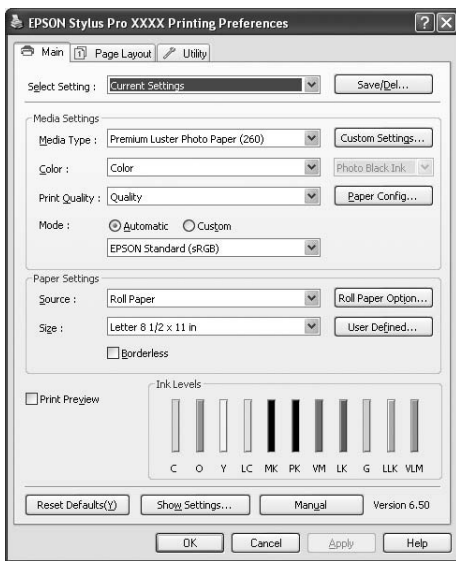
For Windows 2000:  
Click **Start**, point to **Settings**, and then select **Printers**.

## Using the Printer Software (Windows)

- Right-click your printer icon, and click **Printing Preferences**.



The printer driver window appears.

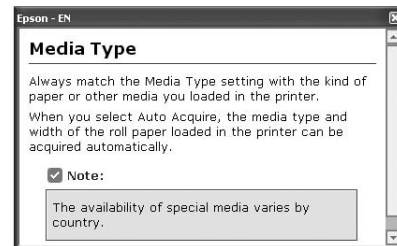
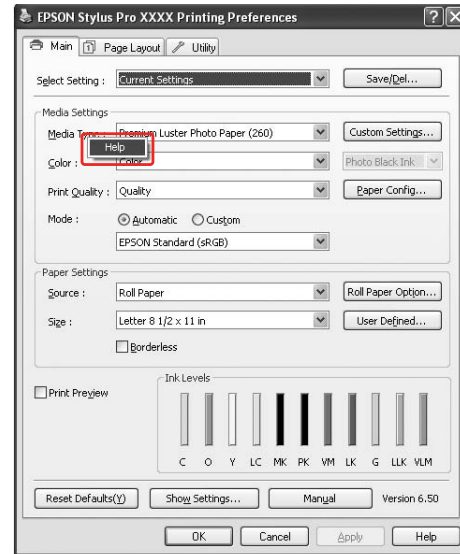


The settings you make here become the default settings of the printer driver.


## Getting Information Through Online Help

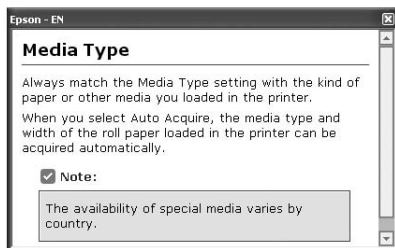
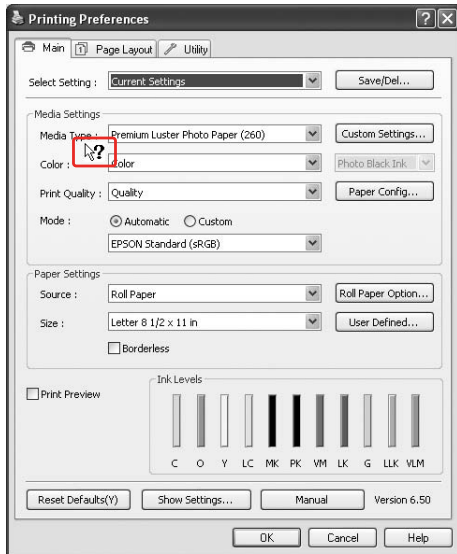
You can view a detailed explanation using the following ways.

- Right-click the item, and then click **Help**.



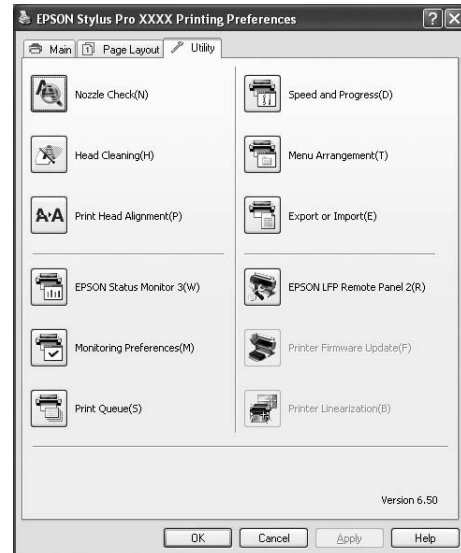
## Using the Printer Software (Windows)


- For Windows XP/Windows 2000, click the  button on the top right of the printer driver window, and then click the item.




## Using the Printer Utilities

The Epson printer utilities let you check the current printer status and perform printer maintenance from your screen.


**Nozzle Check**

This utility checks the print head nozzles to see if they are clogged and need to be cleaned. Check the nozzles when you notice the print quality has declined and after cleaning to confirm that the print head nozzles have been cleaned. If the print head nozzles are clogged, perform head cleaning.  
 See "Nozzle check" on page 76

**Head Cleaning**

This utility cleans the color and black print heads. You may need to clean the print head if you notice the print quality has declined.  
 See "Head cleaning" on page 78

**Print Head Alignment**

This utility can be used to improve the print quality of your printed data. The alignment of the print head may need to be adjusted if vertical lines appear out of alignment or if white or black banding noise appear in your printed data. Use this utility to realign the print head.  
 See "Print head alignment" on page 82

## Using the Printer Software (Windows)

### EPSON Status Monitor 3

This utility provides you with printer status information, such as the ink cartridge status, the free space of the maintenance tank, and it also checks for printer error.

➤ See "Using EPSON Status Monitor 3" on page 116

### Monitoring Preferences

This function lets you specify the monitoring feature of EPSON Status Monitor 3.

➤ See "Using Monitoring Preferences" on page 117

### Print Queue

This function displays the job waiting list. You can check the list of all jobs waiting and their information, and also cancel or restart print jobs.

### Speed & Progress

You can make settings related to print speed and progress.

### Menu Arrangement

You can arrange the Select Setting, Media Type, and Paper Size list items. Arrange the items as you prefer, or classify the items into groups. You can also hide the items you are not using.

### Export or Import

You can export or import the printer driver settings. It is convenient to use this function when you want to make the same printer driver settings to multiple computers.

### EPSON LFP Remote Panel 2

This utility lets you optimize your printer. You can start this utility only if it is installed. See the EPSON LFP Remote Panel 2 online help for detailed information.

### Printer Firmware Update

EPSON LFP Remote Panel 2 is started and updates the printer firmware. See the EPSON LFP Remote Panel 2 online help for detailed information.

### Printer Linearization

You can calibrate the printer using the optional SpectroProofer. See the SpectroProofer online help for detailed information.

## Using EPSON Status Monitor 3

EPSON Status Monitor 3 provides you with detailed printer status information, a graphic display of the ink cartridge status and the free space of the maintenance tank, and status messages. To know the detailed status of the printer, open the printer detailed window. EPSON Status Monitor 3 starts to monitor the printer status when the printing begins, and if there are any problems, it shows an error message and its solutions. You can also access EPSON Status Monitor 3 from the printer driver or the shortcut icon by double-clicking the printer-shaped icon on the Windows taskbar to check the status of the printer.

## Accessing EPSON Status Monitor 3

Open the printer driver window, and click the **Utility** tab, and then click **EPSON Status Monitor 3**.





## Using the Printer Software (Windows)

### Note:

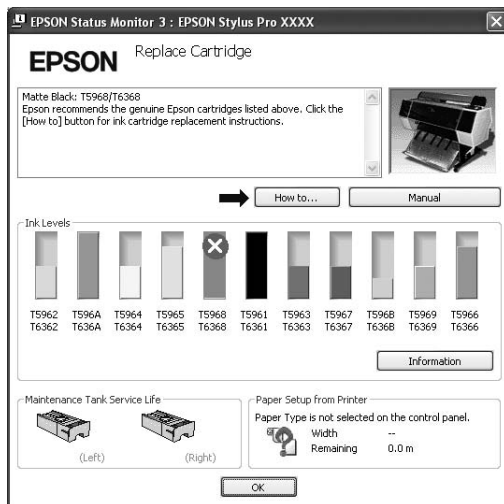
In the Monitoring Preferences dialog box, select the **Shortcut Icon** check box to display a shortcut icon on your Windows taskbar. Right-click the shortcut icon, and select the printer name to display the EPSON Status Monitor 3 dialog box.

☞ See "Viewing information in Monitoring Preferences" on page 118



## Viewing information in EPSON Status Monitor 3

EPSON Status Monitor 3 provides you with detailed printer status information, a graphic display of the ink cartridge status and the free space of the maintenance tank, and status messages. If a problem occurs during printing, an error message appears. Check the message and solve the problem accordingly.

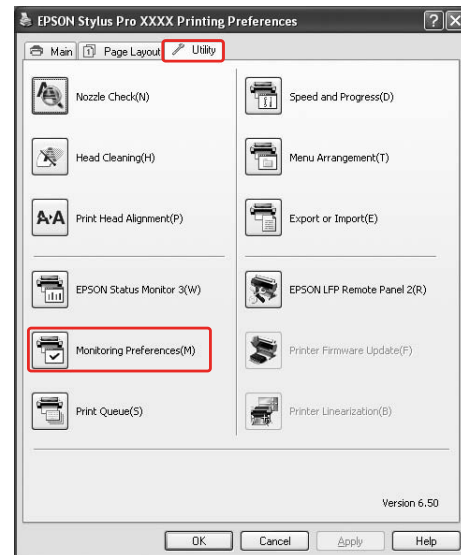


## Using Monitoring Preferences

This function lets you specify the monitoring feature of EPSON Status Monitor 3.

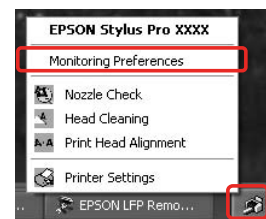
### Accessing Monitoring Preferences

Open the printer driver window, click the **Utility** tab, and then click **Monitoring Preferences**.



### Note:

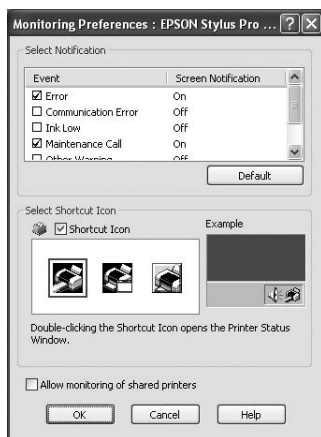
In the Monitoring Preferences dialog box, select the **Shortcut Icon** check box to display a shortcut icon on your Windows taskbar. Right-click the shortcut icon, and select **Monitoring Preferences** to open the Monitoring Preferences dialog box.



## Using the Printer Software (Windows)

### Viewing information in Monitoring Preferences

In the Monitoring Preferences dialog box, you can select error types for which you wish to receive notification, and you can make the shortcut icon setting and monitoring of shared printers setting.



## Uninstalling the Printer Software

This section describes how to uninstall the printer software from your computer.

### Note:

- ❑ For Windows XP/Windows Vista, you must log in as a user with an Administrator account. When you uninstall the printer software from Windows Vista, the password may be required. If you are asked for the password, enter it and continue the operation.
- ❑ For Windows 2000, you must log in as a user with administrator rights (a user belonging to the Administrators group).

## Uninstalling the printer driver

To uninstall the printer driver, follow the steps below.

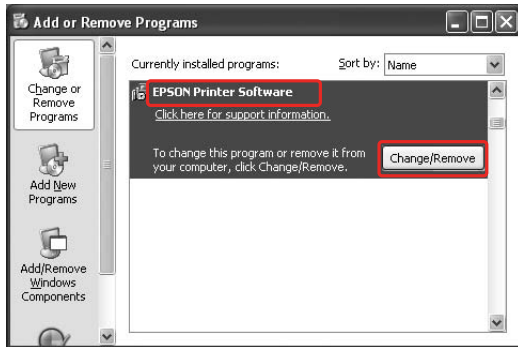
- 1 Turn off the printer, and unplug the interface cable connected with the computer and printer.
- 2 Click **Add or Remove Programs** (or **Add/Remove Programs**) in the Control Panel.

For Windows Vista, click **Uninstall a program** from **Programs** category in the Control Panel.

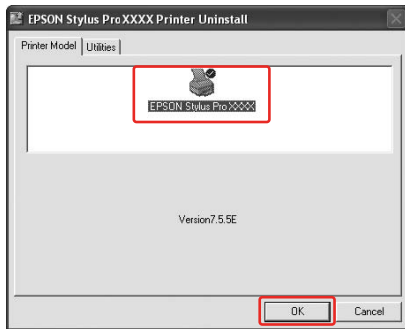


## Using the Printer Software (Windows)

- 3 Select **EPSON Printer Software**, and then click **Change/Remove** (or **Uninstall/Change**).



- 4 Select the target printer icon, and then click **OK**.

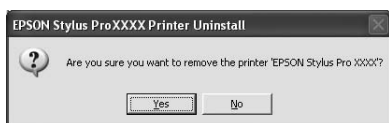


- 5 Follow the on-screen instructions to complete uninstallation.

When the confirmation message appears, click **Yes**.

**Note:**

When you delete the printer driver, the following message appears. In the personal settings information file, the settings you have made are saved. If you do not delete this file, you can use the settings you have registered when you reinstall the printer driver. Click **No** if you plan to reinstall the printer driver later, or click **Yes** to delete the file completely.



Restart the computer when you reinstall the printer driver.

## Uninstalling EPSON LFP Remote Panel 2

EPSON LFP Remote Panel 2 can be uninstalled from **Add or Remove Programs** (or **Add/Remove Programs**) in the Control Panel. For detailed information, see the EPSON LFP Remote Panel 2 online help.

# Using the Printer Software (Mac OS X)

## Printer Software Introduction

The printer software CD-ROM includes the following software. See the *Unpacking and Setup Guide* for installing the software and its online help for detailed information for each software.

- Printer driver
- EPSON Printer Utility2
- EPSON StatusMonitor
- EPSON LFP Remote Panel 2

**Note:**

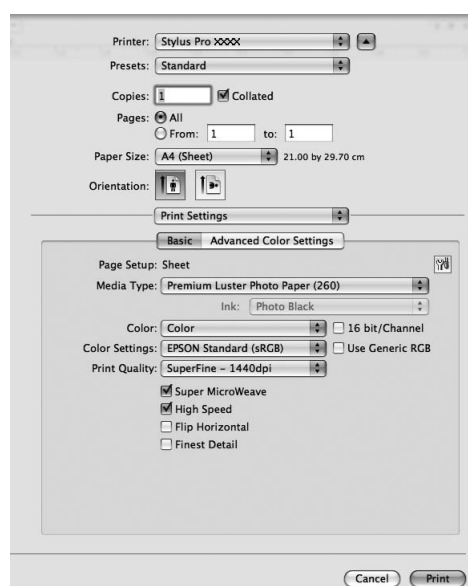
*The dialog may differ depending on the version of the printer software.*

## Printer driver

The printer driver lets you print documents from applications to the printer.

The following are main functions of the printer driver:

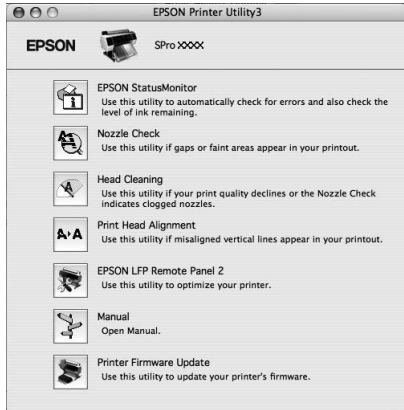
- Sends the print data to the printer.
- Makes the printer settings, such as the media type, paper size. You can register these settings, and you can also easily import or export these registered settings.



Using the Printer Software (Mac OS X)

## EPSON Printer Utility3

You can execute the printer maintenance functions, such as Nozzle Check, Head Cleaning. EPSON Printer Utility3 is installed with the printer driver automatically.



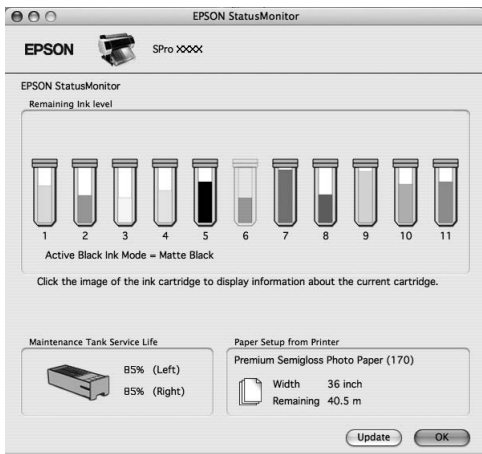
## EPSON LFP Remote Panel 2

EPSON LFP Remote Panel 2 gives the user a broad range of control over the printer, to update the firmware or register the custom paper.



## EPSON StatusMonitor

This utility provides you with printer status information, such as the ink cartridge status, the free space of the maintenance tank, and a printer error.



## Using the Printer Software (Mac OS X)

## Accessing the Printer Driver

To access the printer driver, follow the steps below. The following procedures may differ depending on the application you use.

### ❑ Page Setup dialog

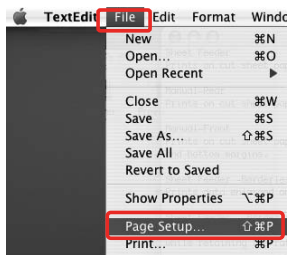
You can make the paper settings, such as media type, paper size.

### ❑ Print dialog

You can make the settings related to print quality.

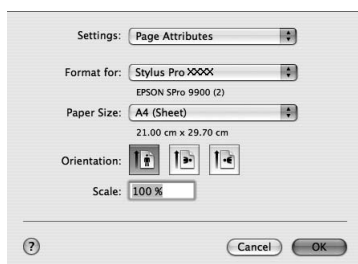
## Accessing the Page Setup dialog

- 1 Click **Page Setup** on the File menu of your application.



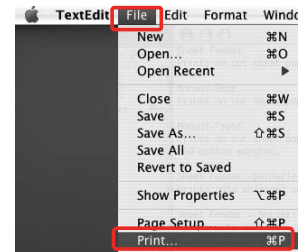
- 2 The Page Setup dialog is displayed.

You can select a paper size, borderless printing, a paper source, and a print area in the Paper Size setting.

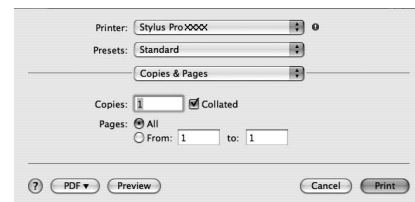



## Accessing the Print dialog

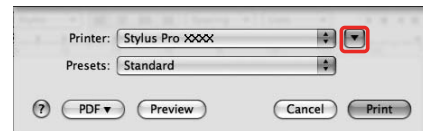
- 1 Click **Print** on the File menu of your application.



- 2 The Print dialog is displayed.



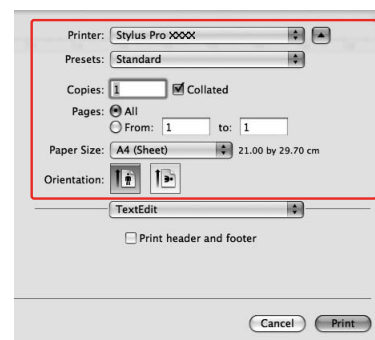
For Mac OS X 10.5, click the  button.



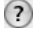
Make the settings as necessary, and then start printing.

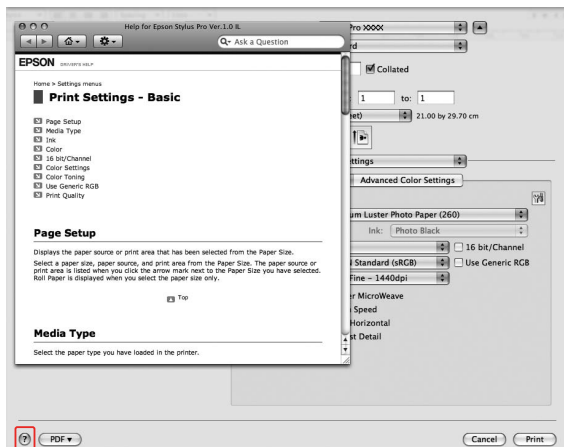
### **Note:**

For Mac OS X 10.5, you can make the Page Setup settings depending on the application you use.



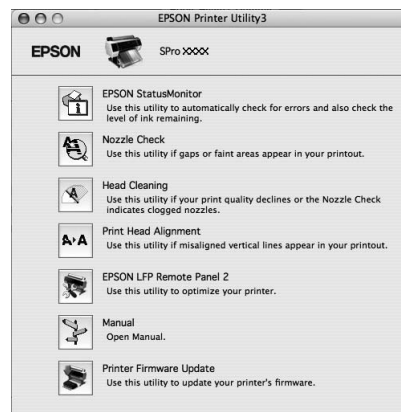
## Getting Information Through Online Help

To access the online help, click the  button in the dialog of the printer driver.



## Using Printer Utilities


The Epson printer utilities let you check the current printer status and perform printer maintenance from your screen.




### EPSON StatusMonitor

This utility provides you with printer status information, such as the ink cartridge status, the free space of the maintenance tank, and a printer error.


### Nozzle Check

This utility checks the print head nozzles to see if they are clogged and need to be cleaned. Check the nozzles when you notice the print quality has declined and after cleaning to confirm that the print head nozzles have been cleaned. If the print head nozzles are clogged, perform head cleaning.  
 See "Nozzle check" on page 76

### Head Cleaning

This utility cleans the color and black print heads. You may need to clean the print head if you notice the print quality has declined.  
 See "Head cleaning" on page 78

### Print Head Alignment

This utility can be used to improve the print quality of your printed data. The alignment of the print head may need to be adjusted if vertical lines appear out of alignment or if white or black banding noise appear in your printed data. Use this utility to realign the print head.  
 See "Print head alignment" on page 82

## Using the Printer Software (Mac OS X)

### EPSON LFP Remote Panel 2

This utility lets you optimize your printer. You can start this utility only if it is installed. See the EPSON LFP Remote Panel 2 online help for detailed information.

### Manual


You can access the *User's Guide*. If the *User's Guide* is not installed, it will access a technical support Web site.

### Printer Firmware Update

EPSON LFP Remote Panel 2 is started and updates the printer firmware. See the EPSON LFP Remote Panel 2 online help for detailed information.

## Accessing EPSON Printer Utility3

You can access the EPSON Printer Utility3 using the following ways.

- ❑ In the Print dialog, select **Print Settings**, and then click the  icon.
- ❑ Double-click the **Applications** folder, and then double-click the **EPSON Printer Utility3** icon.

## Using EPSON StatusMonitor

EPSON StatusMonitor provides you with detailed printer status information, a graphic display of the ink cartridge status and the free space of the maintenance tank, and status messages.

### Note:

*The printer error message appears automatically on your screen even if EPSON StatusMonitor is not opened.*

## Accessing EPSON StatusMonitor

Open the EPSON Printer Utility3 window, and then click **EPSON StatusMonitor**.

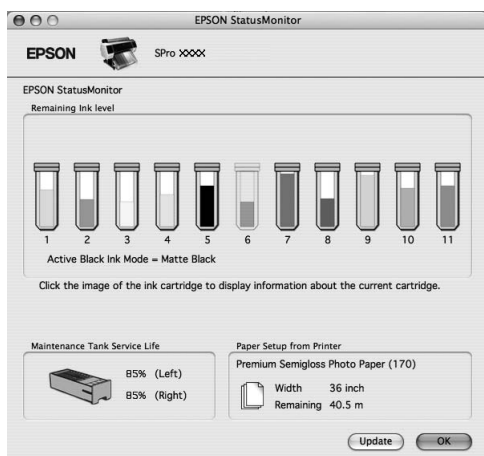




## Using the Printer Software (Mac OS X)

## Viewing information in EPSON StatusMonitor

EPSON StatusMonitor provides you with detailed printer status information, a graphic display of the ink cartridge status and the free space of the maintenance tank, and status messages. If a problem occurs during printing, an error message appears. Check the message and solve the problem accordingly.



## Uninstalling the Printer Software

To uninstall the printer software, follow the steps below.

### Uninstalling the printer driver

To uninstall the printer driver and EPSON Printer Utility3, follow the steps below.

- 1 Turn off the printer, and unplug the interface cable connected with the computer and printer.
- 2 Close the all application software.
- 3 Double-click the hard disk icon.

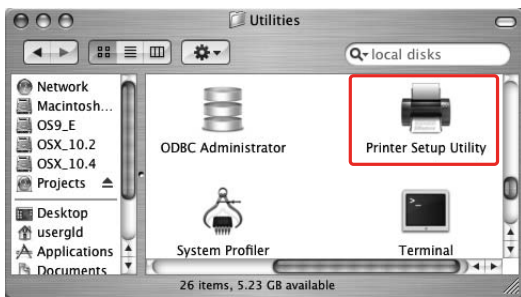


Using the Printer Software (Mac OS X)

**4** For Mac OS X 10.5:  
Double-click the **Applications** folder, and then double-click the **System Preferences** folder. Then double-click the **Print & Fax** folder.

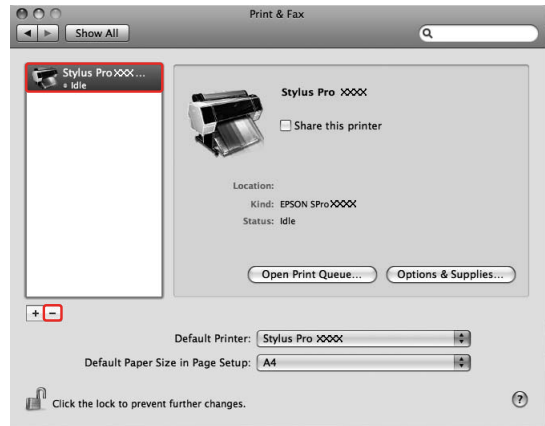


For Mac OS X 10.3.9 to 10.4:  
Double-click the **Applications** folder, and then double-click the **Utilities** folder. Double-click **Printer Setup Utility**.

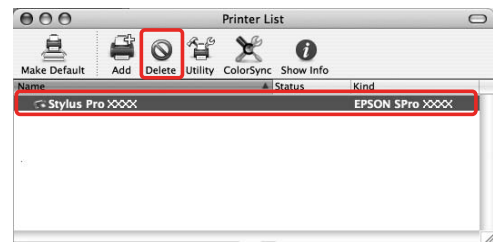


**5** Delete the printer.

For Mac OS X 10.5:  
Select the printer, and then click **-**.



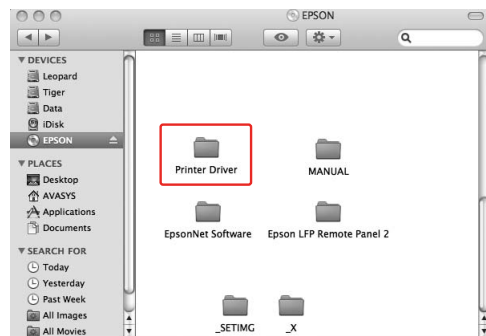
For Mac OS X 10.3.9 to 10.4:  
Select the printer, and then click **Delete**.



After clicking **Delete**, close the dialog.

**6** Insert the printer software CD-ROM into the CD-ROM drive.

**7** Double-click the **Printer Driver** folder.

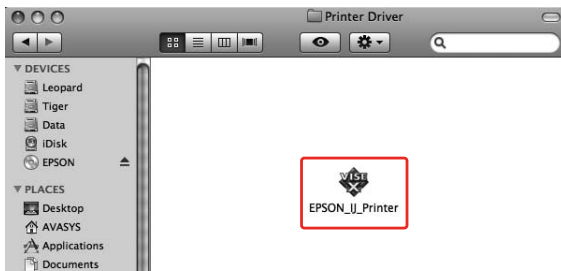


**Note:**  
If the folder does not appear, double-click the **EPSON** icon on the desk top.



Using the Printer Software (Mac OS X)

8 Double-click the **EPSON\_IJ\_Printer** icon.



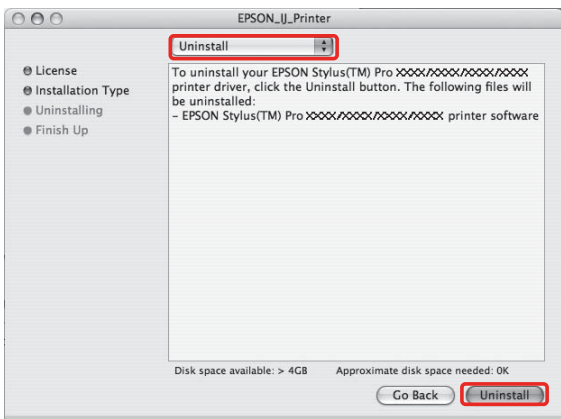
9 If the Authenticate dialog appears, enter the password or phrase and then click **OK**.

To uninstall the printer driver, you must log in as a user with administrator rights.



10 Click **Continue**, and then click **Accept**.

11 Select **Uninstall** from the pull-down menu, and then click the **Uninstall** button.



12 Follow the on-screen instructions to uninstall the printer driver.

## Uninstalling EPSON LFP Remote Panel 2

Drag the **EPSON LFP Remote Panel 2** folder to the Trash. See the EPSON LFP Remote Panel 2 online help for more information.

Variety of Printings

# Variety of Printings

## Auto Color Adjustment by PhotoEnhance (Windows only)

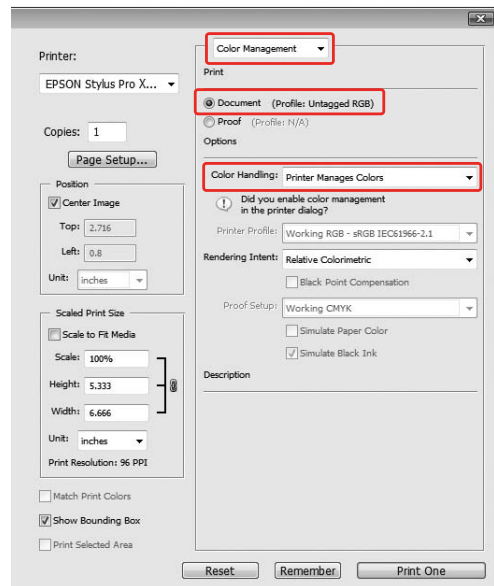
When using PhotoEnhance, you can adjust the color of the prints depending on the types of subject, such as people, landscape, or night scene. It can also convert color data to gray print or sepia print. The printer driver performs color adjustment automatically when selecting your desired mode. PhotoEnhance is Epson's proprietary technology that uses the color reproduction range of the printer effectively to ensure the image data is output with beautiful balanced color.

### For Windows

When using PhotoEnhance in the printer driver from an application with a color management function, the settings vary depending on the Windows environment and type of the application. Refer to the following chart to set the application.

	Windows Vista/ Windows XP Service Pack 2 or later, and .NET 3.0	Windows XP/ Windows 2000
Adobe Photoshop CS3	Printer Manages Colors	No Color Management
Other applications	No Color Management	No Color Management

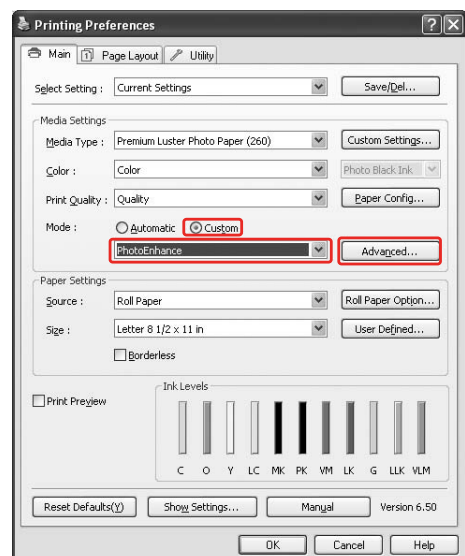
*Note:*  
This is a setting example for Windows Vista, when printing from Adobe Photoshop CS3 by using PhotoEnhance.



1 Open the printer driver window.

☞ See "From Windows applications" on page 112

2 Click **Custom** for the Mode in the Main menu, and select **PhotoEnhance**, and then click **Advanced**.



## Variety of Printings

- 3** In the PhotoEnhance dialog box, select the effect settings.

See the online help of the printer driver for detailed information.



- 4** Check other settings, and then start printing.

## Color Adjustment by the Printer Driver

You can adjust colors using the printer driver during printing by setting one of the following three color systems.

- EPSON Standard (sRGB)
- Adobe RGB
- Charts and Graphs

Furthermore, when you set manual color adjustment (by selecting Custom for Windows or Advanced Settings for Mac OS X), you can perform fine tuning of the color and brightness. Use this function if the application does not support color management.

### For Windows

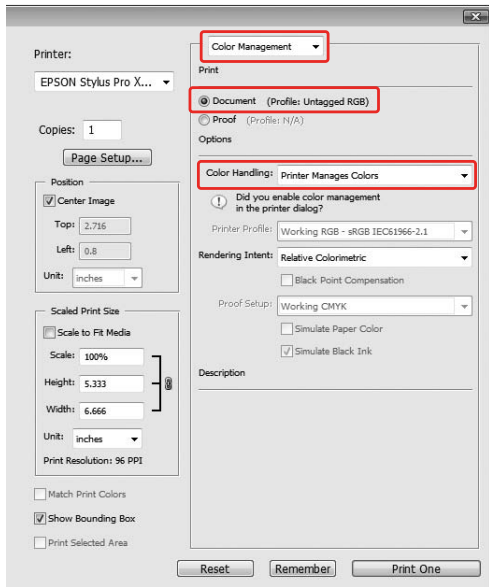
The settings vary depending on the Windows environment and type of application used, when the printer driver performs the automatic or manual color adjustment by using an application featuring a color management function. Refer to the following chart to set the application.

	Windows Vista/ Windows XP Service Pack 2 or later, and .NET 3.0	Windows XP/ Windows 2000
Adobe Photoshop CS3	Printer Manages Colors	No Color Management
Other applications	No Color Management	No Color Management

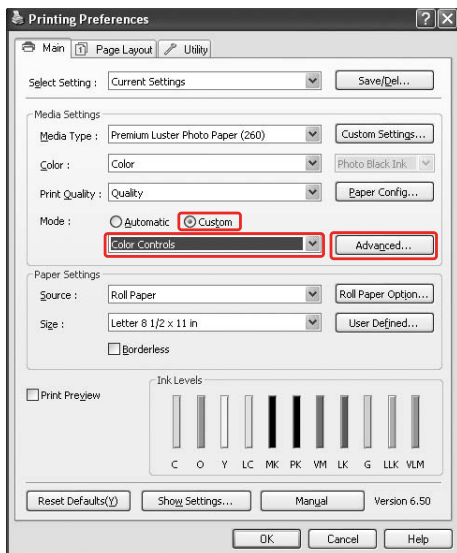
## Variety of Printings

**Note:**

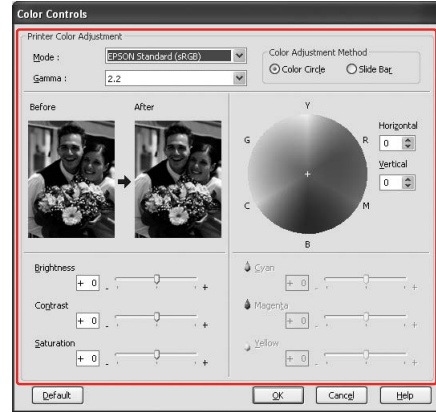
This is a setting example for Windows Vista, when printing from Adobe Photoshop CS3 by using automatic or manual color adjustment.



- 1 Open the printer driver window.  
 See "From Windows applications" on page 112
- 2 In the Main menu, select **Automatic** or **Custom**.
- 3 Select the method for the color adjustment.  
 If you select **Custom** for the Mode to set manually, select **Color Controls**, and then click **Advanced**.



- 4 Make the necessary settings.  
 See the online help of the printer driver for detailed information.



**Note:**  
 You can perform the color adjustment by checking the sample image on the left side of the window. You can also use the color circle for the fine color adjustment.

- 5 Check other settings, and then start printing.

## For Mac OS X

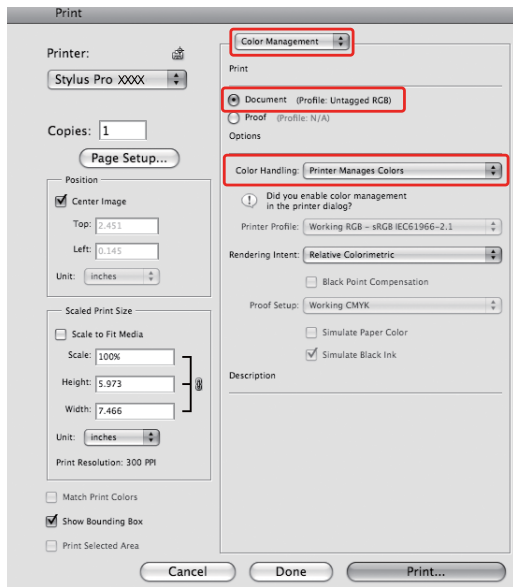
The settings vary depending on the Mac OS X environment and the type of application used, when the printer driver performs the automatic or manual color adjustment by using an application featuring a color management function. Refer to the following chart to set the application.

	Mac OS X 10.5	Mac OS X 10.3.9 to 10.4
Adobe Photoshop CS3	Printer Manages Colors	No Color Management
Adobe Photoshop Lightroom		
Other applications	No Color Management	No Color Management

Variety of Printings

**Note:**

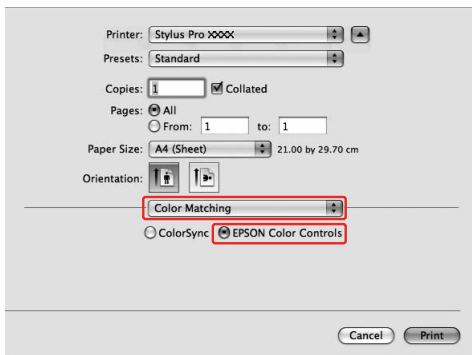
This is a setting example for Mac OS X 10.5, when printing from Adobe Photoshop CS3 by using automatic or manual color adjustment.



**1** Open the Print dialog.

See "Accessing the Print dialog" on page 122

**2** For Mac OS X 10.5, select **Color Matching**, and then select **EPSON Color Controls**.



**Note:**

When using Adobe Photoshop CS3 or Adobe Photoshop Lightroom in Mac OS X 10.5, make sure EPSON Color Controls is selected. If EPSON Color Controls is not selected, open the Print dialog, and select Printer Manages Colors for Color Handling.

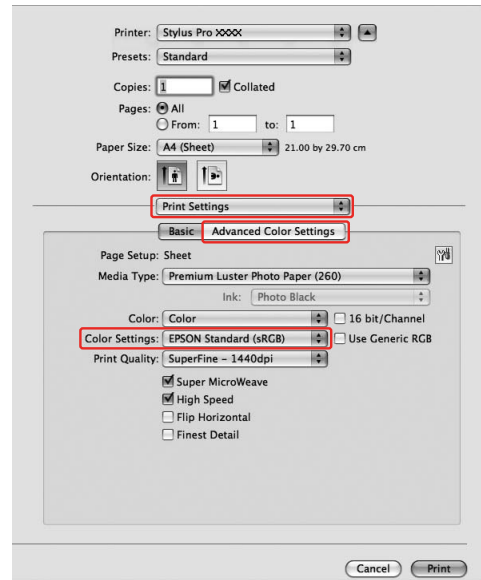
See "For Mac OS X" on page 130

**3**

Open the advanced settings dialog.

For Mac OS X 10.5:

Select **Print Settings**, and change Color Settings if necessary. If you adjust the color manually, click **Advanced Color Settings**.

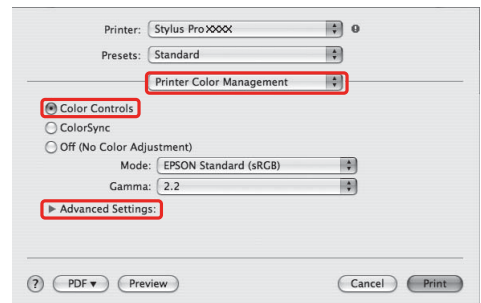


**Note:**

If you use Adobe Photoshop CS3 or Adobe Photoshop Lightroom for Mac OS X 10.5, clear the Use Generic RGB checkbox. When you use another application, select the checkbox.

For Mac OS X 10.3.9 to 10.4:

Select **Printer Color Management**, and click **Color Controls**, and then click **Advanced Settings**.



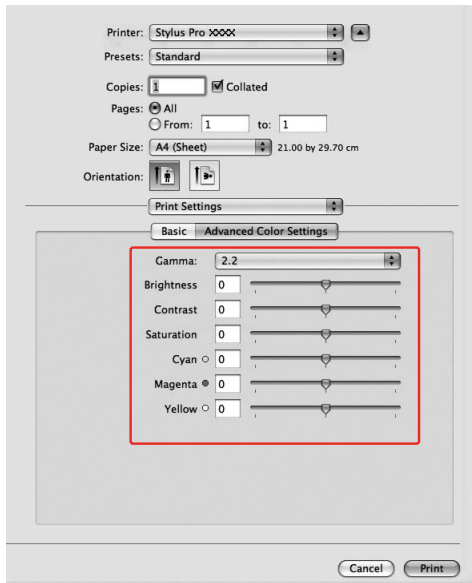


Variety of Printings

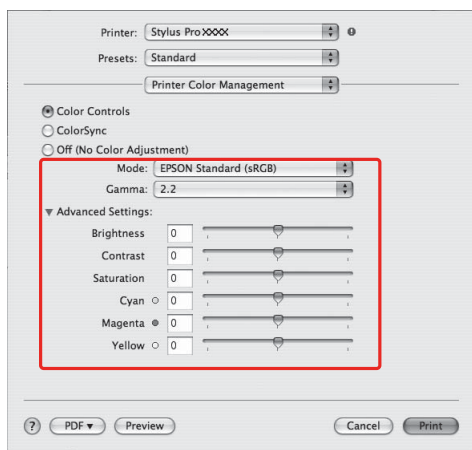
**4** Make the necessary settings.

See the online help of the printer driver for detailed information.

For Mac OS X 10.5:



For Mac OS X 10.3.9 to 10.4:



**5** Check other settings, and then start printing.

## Black-and-White Photo Printing

Advanced black-and-white photo printing is available by making the settings in the Color Controls dialog box, without using the application software. The print image is adjusted without affecting the original data.

### For Windows

The settings vary depending on the Windows environment and the type of application used, when the printer driver performs the black-and-white photo printing by using an application featuring a color management function. Refer to the following chart to set the application.

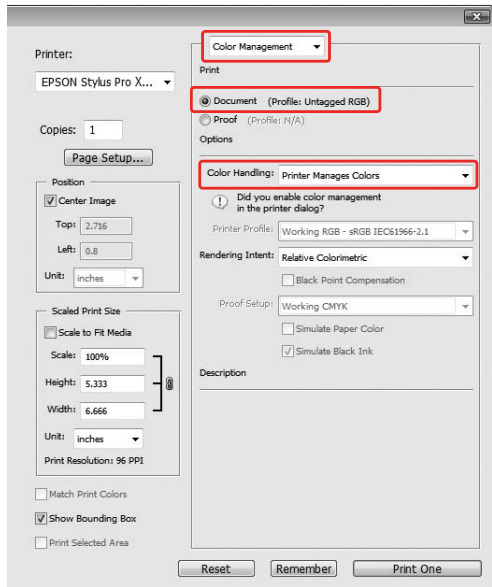
	Windows Vista/ Windows XP Service Pack 2 or later, and .NET 3.0	Windows XP/ Windows 2000
Adobe Photoshop CS3	Printer Manages Colors	No Color Management
Other applications	No Color Management	No Color Management



Variety of Printings

**Note:**

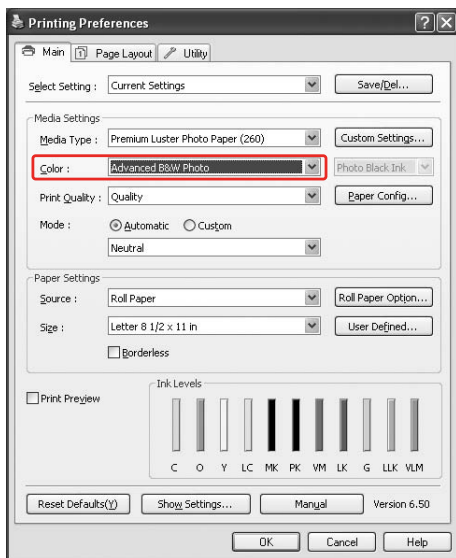
This is a setting example for Windows Vista, when printing from Adobe Photoshop CS3 by using Advanced B&W Photo printing.



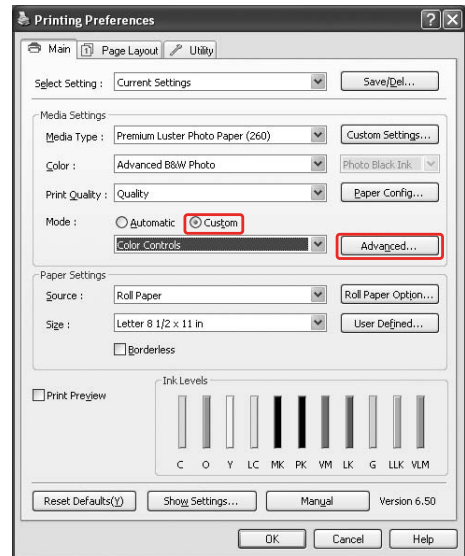
**1** Open the printer driver window.

➔ See "From Windows applications" on page 112

**2** Select **Advanced B&W Photo** for the Color.

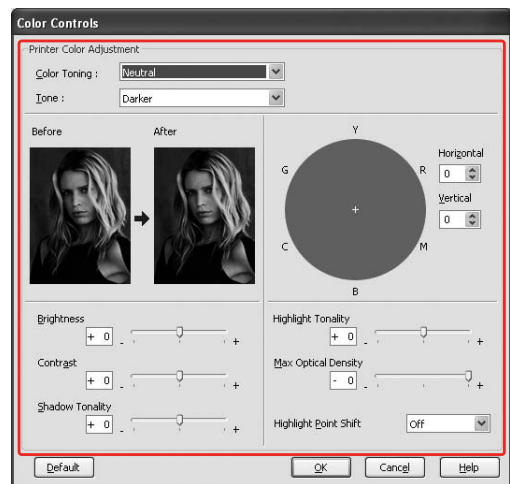


**3** Click **Custom** for the Mode in the Main menu, and select **Color Controls**, and then click **Advanced**.



**4** Make the necessary settings, and then start printing.

For more detailed information, see the online help of the printer driver.



**5** Check other settings, and then start printing.

Variety of Printings

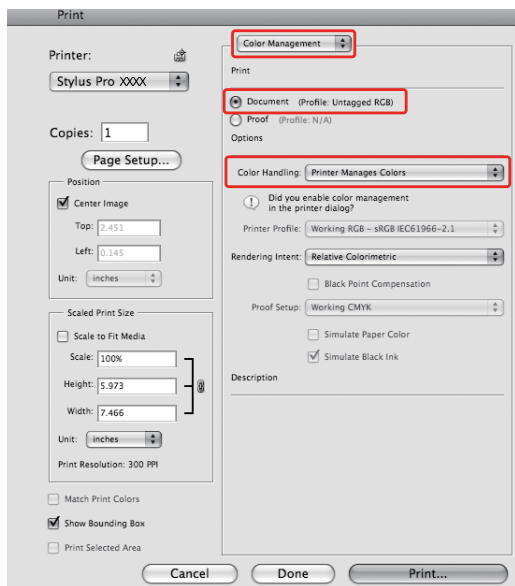
For Mac OS X

The settings vary depending on the Mac OS X environment and the type of application used, when the printer driver performs the Advanced B&W Photo printing by using an application featuring a color management function. Refer to the following chart to set the application.

	Mac OS X 10.5	Mac OS X 10.3.9 to 10.4
Adobe Photoshop CS3	Printer Manages Colors	No Color Management
Adobe Photoshop Lightroom		
Other applications	No Color Management	No Color Management

Note:

This is a setting example for Mac OS X 10.5, when printing from Adobe Photoshop CS3 by using Advanced B&W Photo printing.



1

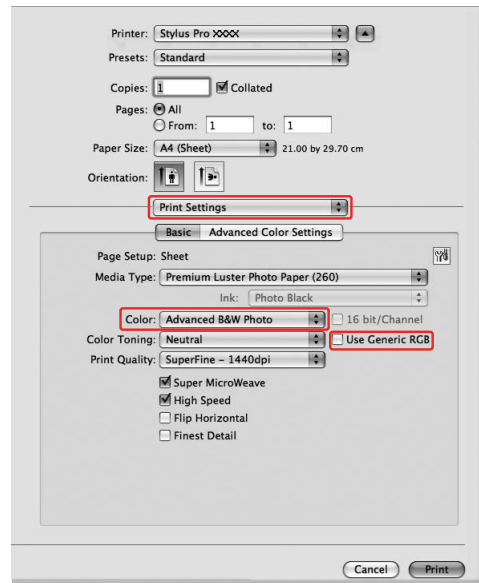
Open the Print dialog.

See "Accessing the Print dialog" on page 122

2

Select **Print Settings**, and select **Advanced B&W Photo** for the Color.

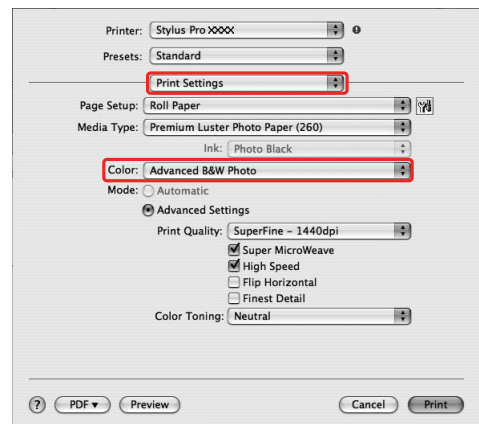
For Mac OS X 10.5:



Note:

If you use Adobe Photoshop CS3 or Adobe Photoshop Lightroom for Mac OS X 10.5, clear the Use Generic RGB checkbox. When you use another application, select the checkbox.

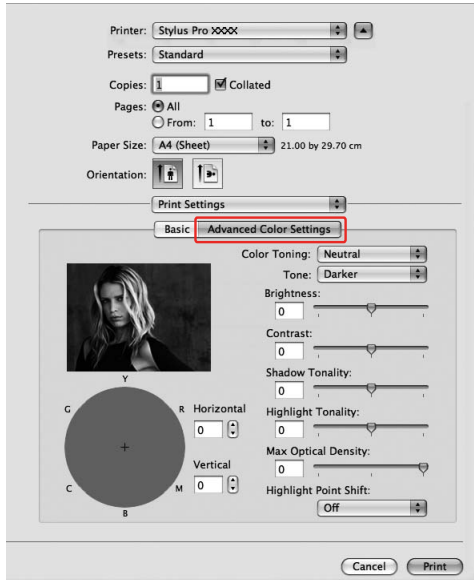
For Mac OS X 10.3.9 to 10.4:



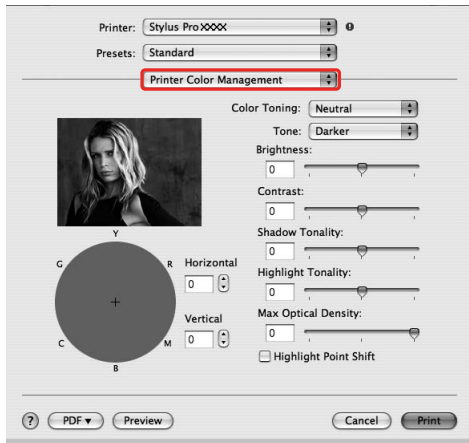
## Variety of Printings

**3** Open the advanced settings dialog.

For Mac OS X 10.5:  
Click **Advanced Color Settings**.



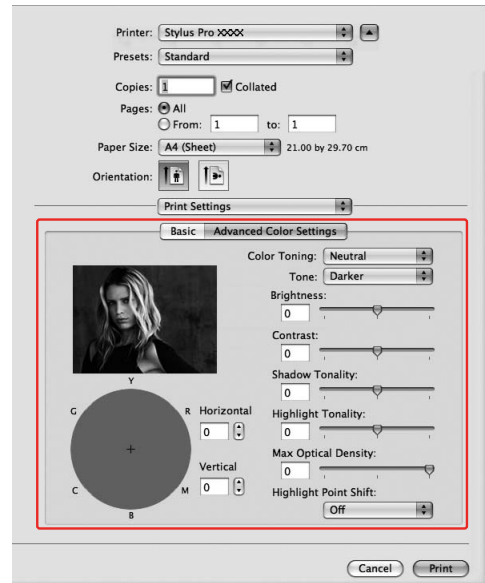
For Mac OS X 10.3.9 to 10.4:  
Select **Printer Color Management**.



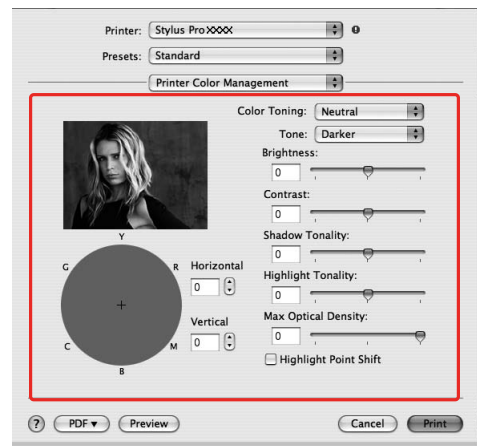
**4** Make the necessary settings.

For more detailed information, see the online help of the printer driver.

For Mac OS X 10.5:



For Mac OS X 10.3.9 to 10.4:



**5** Check other settings, and then start printing.

## Borderless Printing

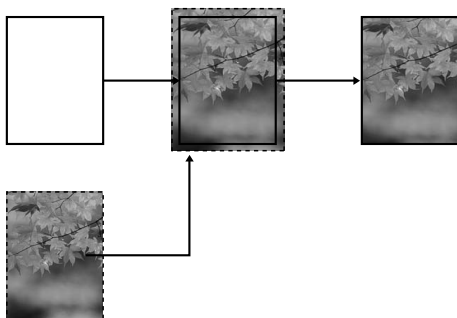
You can print your data without margins on paper. There are two types of borderless printing.

**Note:**

*If you are using roll paper, all four sides can be borderless, and if you are using a sheet of paper, only left and right sides can be borderless.*

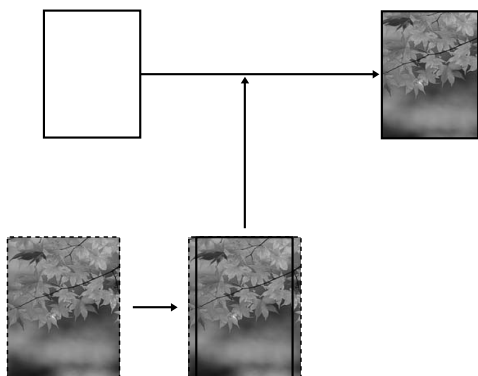
### Auto Expand

Enlarge the size of print data automatically and print without margins. Enlarged areas that exceed the paper size will not be printed on the paper.



### Retain Size

Using an application, enlarge your image data to exceed the paper width and height, to avoid unprinted areas appearing along the left and right edges. The printer driver does not enlarge the image data. Enlarging 3 mm in both the left and right directions (total of 6 mm) is recommended by using the application that created the data. Select this setting if you do not want to change the ratio of your print data by the printer driver.



## Supported media type

The following media sizes are supported for borderless printing.

Paper width
254 mm/10 inch
300 mm
329 mm/13 inch/Super A3
406 mm/16 inch
432 mm/17 inch
515 mm/B2
594 mm/A1
610 mm/24 inch/Super A1
728 mm/B1*
914 mm/36 inch/Super A0*
1118 mm/44 inch/Super B0*

\* Epson Stylus Pro 7900/7910 does not support these size.

Depending on the media type, the print quality may decline or the borderless printing is not supported. See the following section for detailed information.

☞ See "Paper Information" on page 171

## Variety of Printings

### Application settings

Set the size of the image data using the Page Setting dialog box of the application software.

#### For Auto Expand

- Set the same paper size as used for printing.
- If your application has margin settings, set the margin to 0 mm.
- Make the image data as large as the paper size.

#### For Retain Size

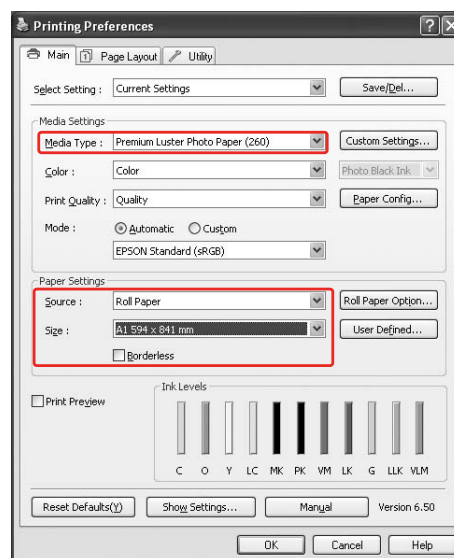
- Enlarge 3 mm in both the left and right directions (total of 6 mm), using the application that created the data.
- If your application has margin settings, set the margin to 0 mm.
- Make the image data as large as the paper size.

### Printer driver settings

To print your data with this feature, follow the steps below.

#### For Windows

- 1 Open the printer driver window.  
 ↗ See "From Windows applications" on page 112
- 2 In the Main menu, select the media type, paper source, page size, or paper size.

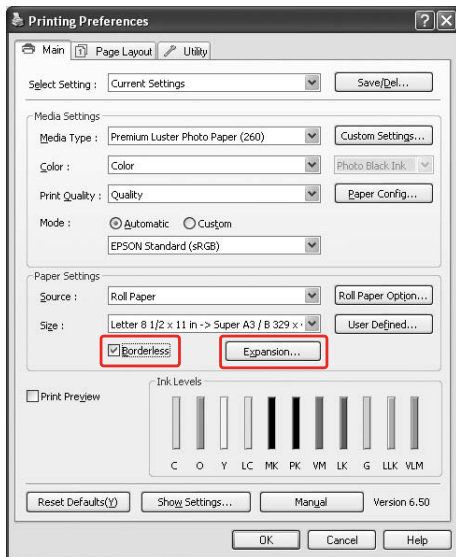


- 3 When you print on roll paper, click **Roll Paper Option**, and select the Auto Cut setting.

↗ See "Roll paper cut for borderless printing" on page 140

Variety of Printings

- 4 Select **Borderless**, and then click **Expansion**.



- 5 Select **Auto Expand** or **Retain Size**. If you select **Auto Expand**, set the amount of enlargement.

Max	3 mm for left and 5 mm for right (the image shifts 1 mm to the right)
Standard	3 mm for left and right
Min	1.5 mm for left and right



**Note:**  
Moving the slider towards Min decreases the amount of the image enlargement; however, as this amount decreases, margins may appear on one or more sides of the paper.

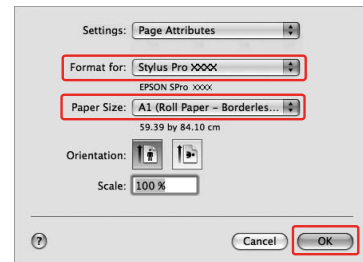
- 6 Check the other settings, and then start printing.

For Mac OS X

- 1 Open the Page Setup dialog.

See "Accessing the Page Setup dialog" on page 122

- 2 Select the printer, and then select the paper size and borderless printing such as **Auto Expand** or **Retain Size**, and then click **OK**.



- 3 Open the Print dialog.

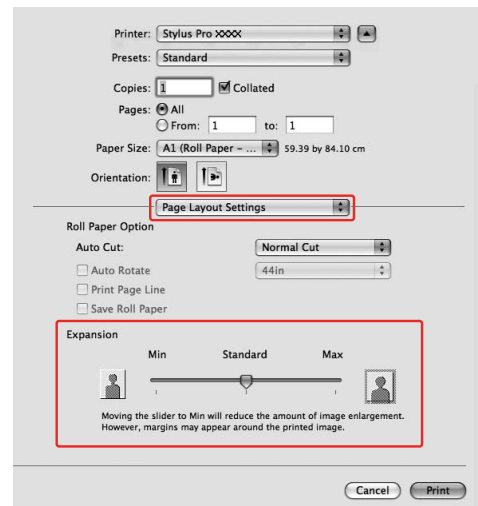
See "Accessing the Print dialog" on page 122

- 4 If **Auto Expand** is selected, set the amount of the enlargement.

Max	3 mm for left and 5 mm for right (the image shifts 1 mm to the right)
Standard	3 mm for left and right
Min	1.5 mm for left and right

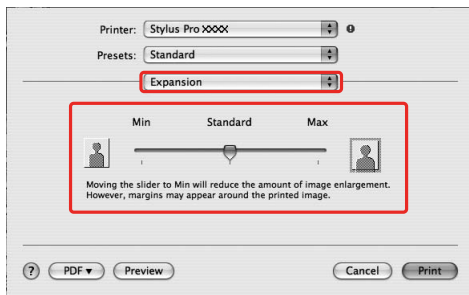
For Mac OS X 10.5:

Select **Page Layout Settings**.



## Variety of Printings

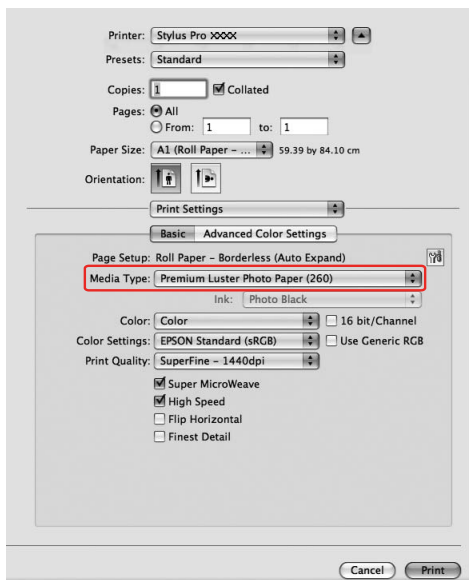
For Mac OS X 10.3.9 to 10.4:  
Select **Expansion**.



**Note:**

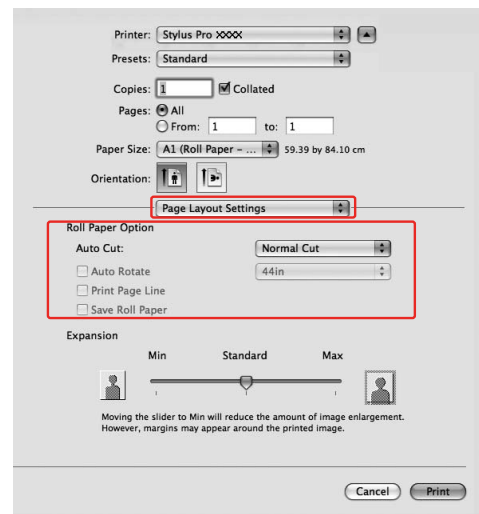
Moving the slider towards Min decreases the amount of the image enlargement; however, as this amount decreases, margins may appear on one or more sides of the paper.

**5** In the Print Settings dialog, select the media type.

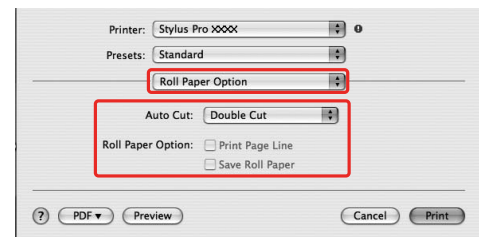


**6** If you print on roll paper, select the Auto Cut setting.

For Mac OS X 10.5:  
Select **Page Layout Settings**.



For Mac OS X 10.3.9 to 10.4:  
Select **Roll Paper Option**.



See "Roll paper cut for borderless printing" on page 140

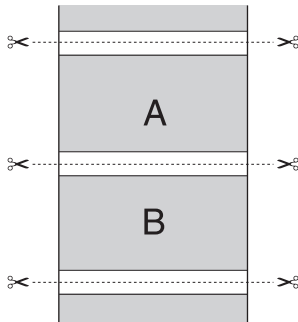
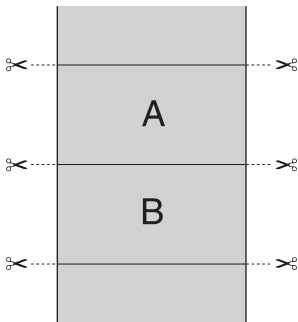
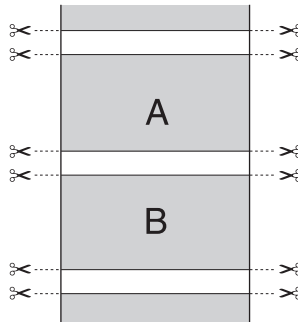
**7** Check the other settings, and then start printing.



## Variety of Printings

## Roll paper cut for borderless printing

When you use roll paper for borderless printing, the paper cut operation is different according to the Borderless and Auto Cut settings of the printer driver.

	No margins for left and right	No margins for all directions (single cut)	No margins for all directions (double cut)
Printer driver setting	Borderless: Enable	Borderless: Enable	Borderless: Enable
	Auto Cut: Normal Cut	Auto Cut: Single Cut	Auto Cut: Double Cut
Printer operations			
Explanation	Normal Cut is default setting.	<ul style="list-style-type: none"> <li><input type="checkbox"/> The top area may smear because the top area of the roll paper is cut while the print operation is stopped.</li> <li><input type="checkbox"/> If the cut position is slightly shifted, the image on the continuous page remains on the top or bottom area; however, the printing time gets shorter.</li> <li><input type="checkbox"/> If you select Single Cut and print only a piece of paper, the operation will be the same as Double Cut. If you print more than one paper continuously, cut 1 mm along the inside of each picture to avoid creating a margin between pictures.</li> </ul>	<ul style="list-style-type: none"> <li><input type="checkbox"/> The top area may smear because the top area of the roll paper is cut while the print operation is stopped.</li> <li><input type="checkbox"/> Because the inside of each picture is cut in order to not leave a white area in the top and bottom areas, the length of the paper becomes 2 mm shorter.</li> <li><input type="checkbox"/> After cutting the bottom area of the previous page, the printer feeds the paper and then cuts the top area of the next page. Because of that, 80 to 130 mm of scrap of paper is produced. Take care to cut the paper precisely.</li> </ul>

**Note:**

When you want to cut prints manually, select **Off**.

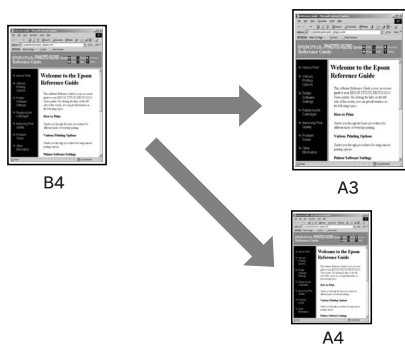


Variety of Printings

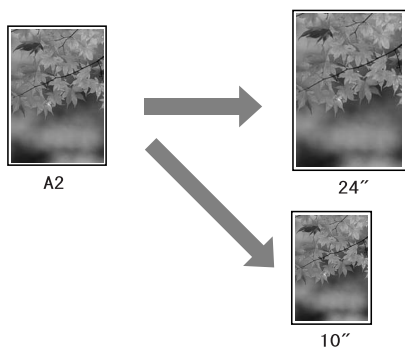
# Enlarge or Reduce Size Printing

You can fit the size of your data to the size of paper you print on. There are three ways to enlarge or reduce the size of your data.

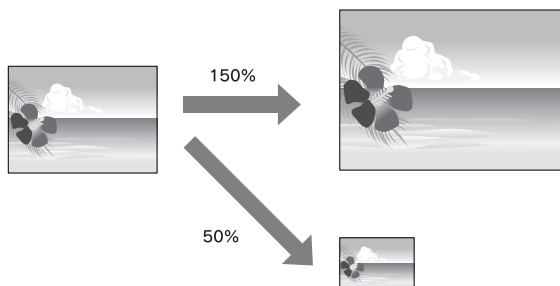
- ❑ **Fit to Page**  
Proportionally enlarges or reduces the size of your data to make it fit the paper size you have selected in the Output Paper list.



- ❑ **Fit to Roll Paper Width (Windows only)**  
Proportionally enlarges or reduces the size of your data to make it fit the width of the roll paper you have selected in Output Paper list.



- ❑ **Custom**  
Lets you define the percentage you want to enlarge or reduce a data.

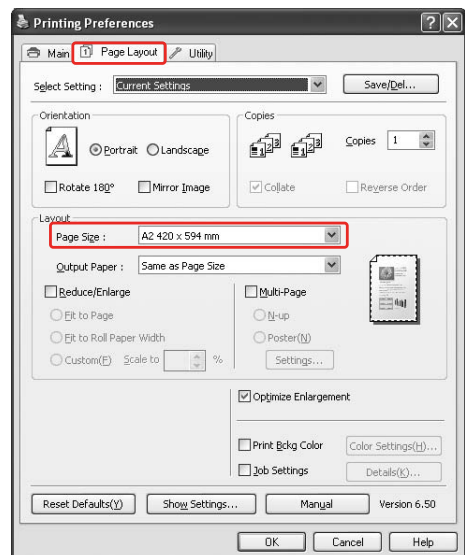


# Fit to Page

You can fit the size of your data to the size of paper you to print on.

## For Windows

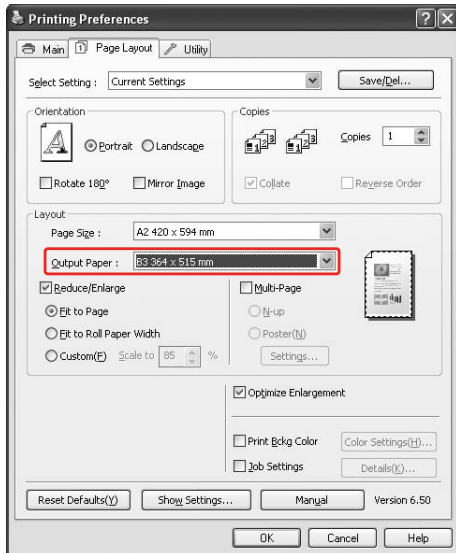
- 1 Open the printer driver window.  
See "From Windows applications" on page 112
- 2 Click the **Page Layout** tab, and then select the same paper size as the paper size of the data.



## Variety of Printings

- 3** Select the paper size that is loaded in the printer from the Output Paper list.

Proportionally enlarges or reduces the size of your data to make it fit the paper size you have selected for the Output Paper.



- 4** Check the other settings, and then start printing.

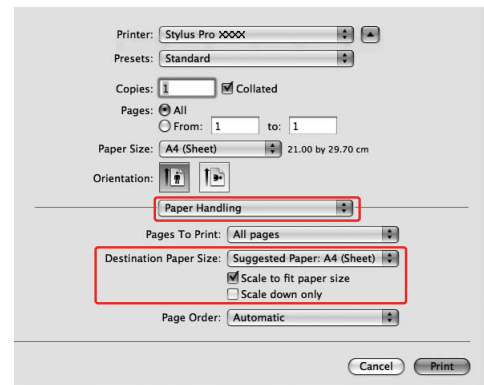
## For Mac OS X 10.4 to 10.5

- 1** Open the Print dialog.

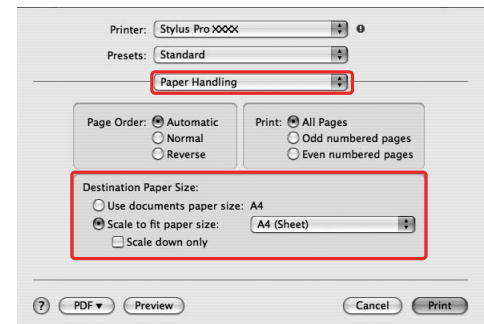
➤ See "Accessing the Print dialog" on page 122

- 2** Select **Paper Handling**, and select **Scale to fit paper size**.

For Mac OS X 10.5:



For Mac OS X 10.4:



- 3** Select the paper size that is set in the printer.

**Note:**

If you select the **Scale down only** checkbox, the setting works a reduce direction only. Clear the **Scale down only** checkbox, if you perform enlarged size printing when the size of the paper is larger than the print data.

- 4** Check the other settings, and then start printing.

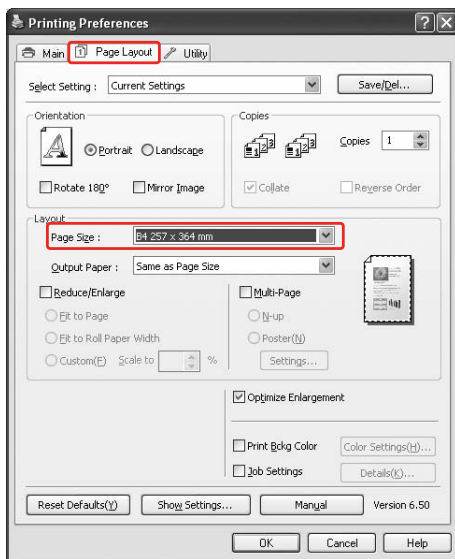
## Variety of Printings

Fit to Roll Paper Width  
(Windows only)

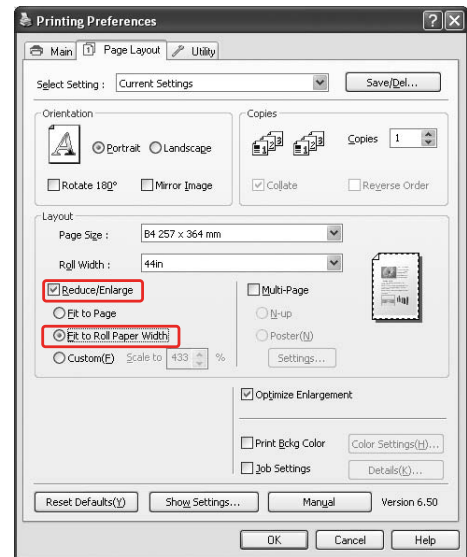
1 Open the printer driver window.

See "From Windows applications" on page 112

2 Click the **Page Layout** tab, and then select the same paper size as the paper size of the data.

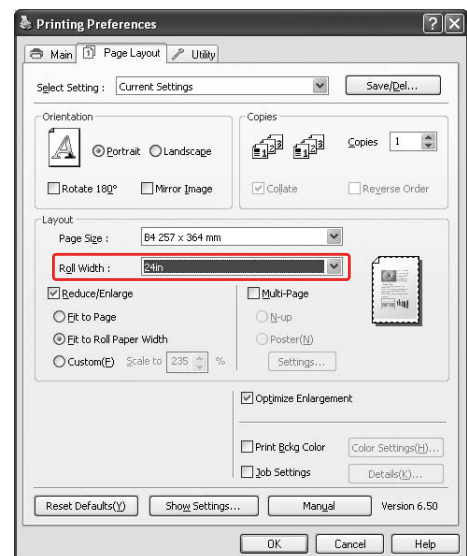


3 Select **Reduce/Enlarge**, and then click **Fit to Roll Paper Width**.



4 Select the roll paper width that is loaded in the printer from the Roll Width list.

Proportionally enlarges or reduces the size of your data to make it fit the paper size you have selected for the Roll Width.



5 Check the other settings, and then start printing.

## Variety of Printings

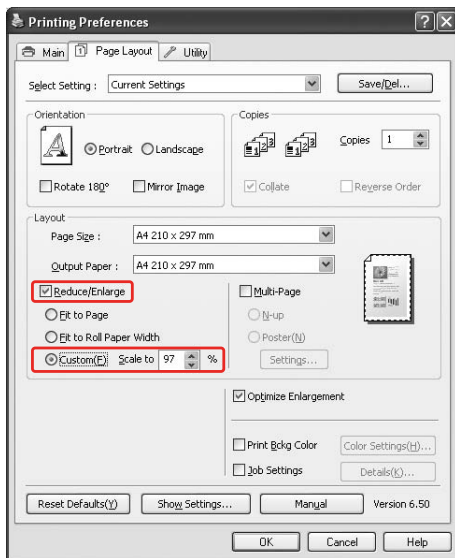
### Custom

Lets you define the percentage you want to reduce or enlarge.

### For Windows

- 1 Open the printer driver window.  
See "From Windows applications" on page 112
- 2 Click the **Page Layout** tab, and then select the same paper size as the paper size of the data.
- 3 Select the paper size that is loaded in the printer from Output Paper or Roll Width.
- 4 Select **Reduce/Enlarge**, and then click **Custom**.

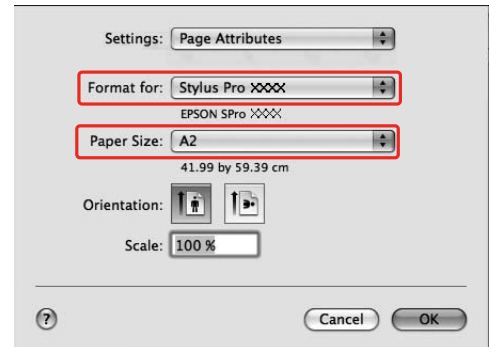
Click the arrows next to the Scale box to select a proportion from 10 to 650%.



- 5 Check the other settings, and then start printing.

### For Mac OS X

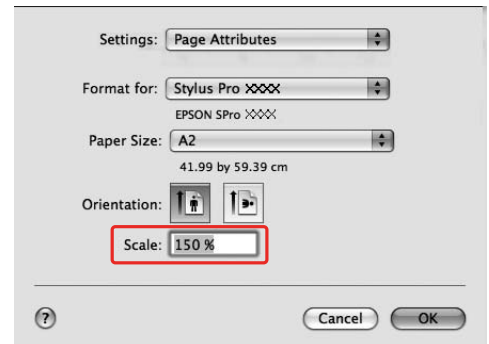
- 1 Open the Page Setup dialog.  
See "Accessing the Page Setup dialog" on page 122
- 2 Select the printer and paper size that is loaded in the printer.



- 3 Set the value for Scale.

For Mac OS X 10.5: 1 to 10000%

For Mac OS X 10.3.9 to 10.4: 1 to 400%



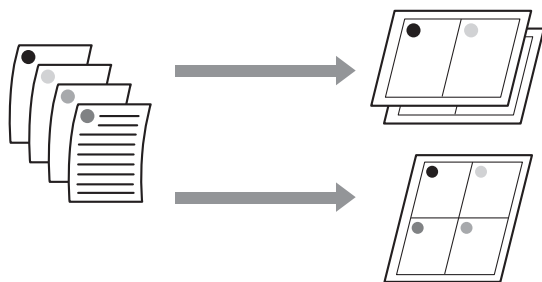
- 4 Click **OK**.

The Scale value has been set. Then, print your data as usual.

## Variety of Printings

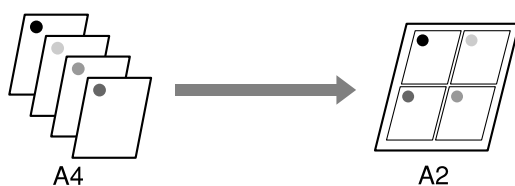
## Pages Per Sheet Printing

You can print two or four pages of your document on one sheet of paper.  
If you print continuous layout data prepared at A4 size, it will be printed as shown below.

**Note:**

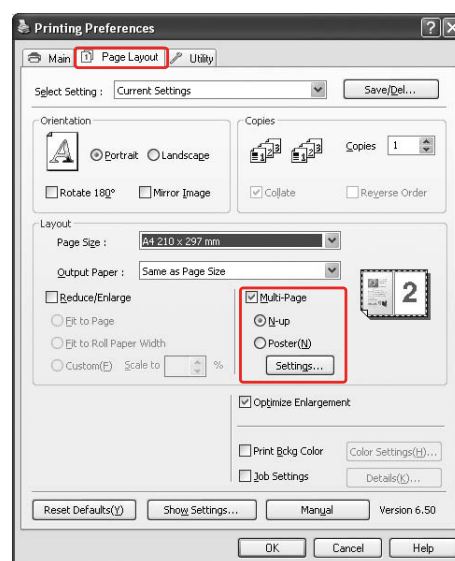
- ❑ For Windows users, use the printer driver's function for layout printing. For Mac OS X, use the standard feature of the operating system for layout printing.
- ❑ You cannot use the Multi-Page function of Windows printer driver if you are using borderless printing.
- ❑ For Windows users, using the Fit to Page function, you can print the data on different sizes of paper.

➤ See "Enlarge or Reduce Size Printing" on page 141



## For Windows

- 1 Open the printer driver window.  
➤ See "From Windows applications" on page 112
- 2 Click the **Page Layout** tab, select the **Multi-Page** check box, select **N-up**, and then click **Settings**.

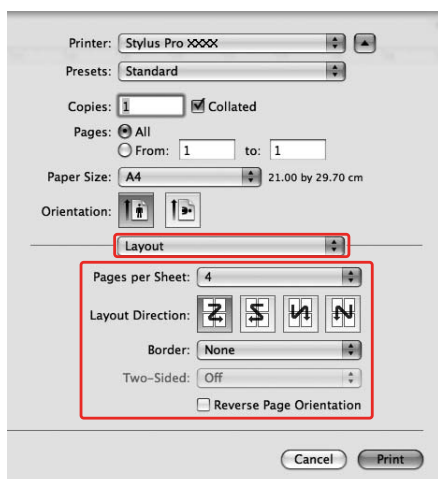


- 3 In the Print Layout dialog box, specify the order in which the pages will be printed.  
  
To print frames around the pages printed on each sheet, check the **Print page frames** check box.
- 4 Check the other settings, and then start printing.

## Variety of Printings

## For Mac OS X

- 1 Open the Print dialog.  
 ↗ See "Accessing the Print dialog" on page 122
- 2 Select **Layout** from the list to specify the order in which the pages will be printed.

**Note:**

If you select other than **None** for **Border**, the frames around the pages are printed on each sheet.

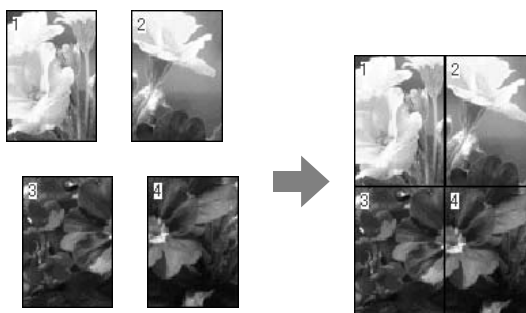
- 3 Check the other settings, and then start printing.

## Poster Printing

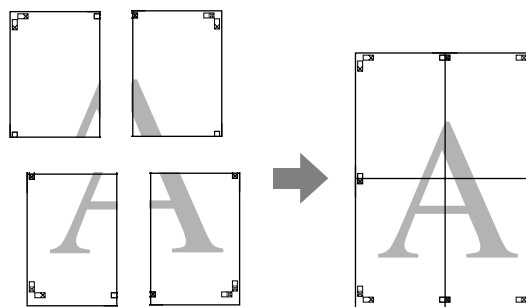
The poster printing function allows you to print poster-size images by enlarging one page to cover several sheets of paper. This function is supported by Windows only. You can make a poster or a calendar by joining the several printed sheets of paper together. Poster printing is available up to 16-fold of the normal printing (four sheets by four sheets.) The poster printing function supports the following two types.

 Borderless poster printing

You can print a borderless poster-size image by automatically enlarging one page to cover several sheets of paper. You can make a poster just by joining the several printed sheets of paper together. Because the image data is enlarged beyond the paper size, the area that exceeds the sheets cannot be printed. This function is available for roll paper only.


 Poster printing with margins

You can print a poster-size image by automatically enlarging one page to cover several sheets of paper. You need to cut the margins and then join the several sheets of paper together to make a poster.



## Variety of Printings

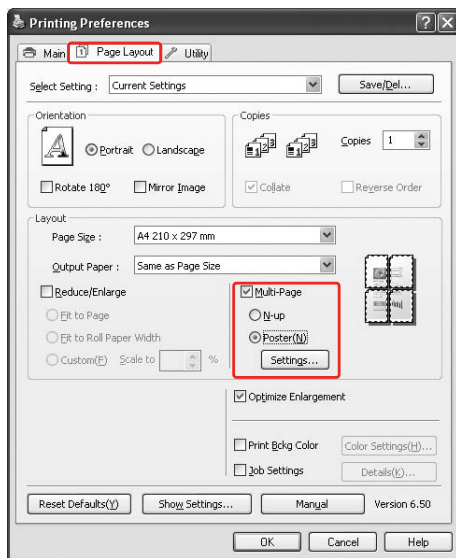
- 1** Prepare the print data by using an application.

The printer driver automatically enlarges the image data during printing.

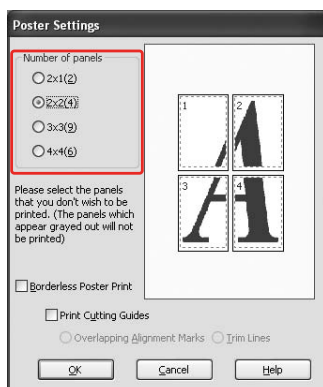
- 2** Open the printer driver window.

☞ See "From Windows applications" on page 112

- 3** Click the **Page Layout** tab, select the **Multi-Page** check box, select **Poster**, and then click **Settings**.

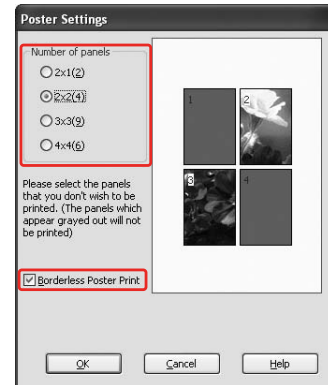


- 4** In the Poster Settings dialog box, select the number of printed pages you want the poster to cover.



**Note:**  
You can make a larger poster if you select a greater number for division.

- 5** When you want to print a borderless poster, select **Borderless** in the Main menu. Then, select the **Borderless Poster Print** check box, and select the number of panels, and then click **OK**. Then go to step 6.

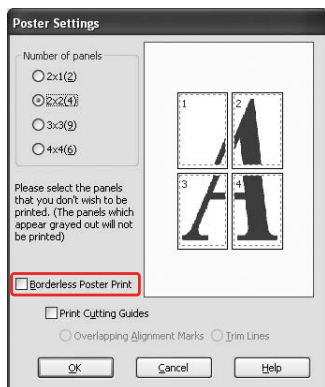


**Note:**  
If **Single Cut** is selected for **Auto Cut**, the length of the paper becomes 1 or 2 mm shorter because the inside of each picture is cut in order to not leave a white area at the top and bottom areas.  
Select **Off** or **Normal Cut** for **Auto Cut**.  
☞ See "Roll paper cut for borderless printing" on page 140



## Variety of Printings

- 6** If you want margins around the poster, make sure the **Borderless Poster Print** check box is cleared, and make the other settings as necessary.



**Note:**  
Regarding the size when the parts are joined together:  
The finished size whether **Trim Lines** is selected or not is the same. However, if **Print Cutting Guides** is selected, the finished size is smaller by the amount of the overlap.

- 7** Check the other settings, and then start printing.

## Joining the sheets together along the guide

The steps to join the sheets together are different whether the printed sheets are borderless or not.

### For borderless poster printing

This section explains how to join the four printed pages together. Join the printed pages together appropriately, and stick them on the back of sheets using the cellophane tape. Join them by the following order indicated in the illustration below.

**Note:**  
Borderless poster printing may not produce a seamless poster image which consists of multiple printed sheets of paper. If you want a seamless image, try the Poster printing with margins feature.

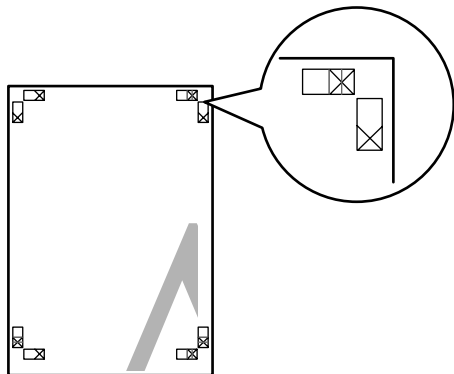




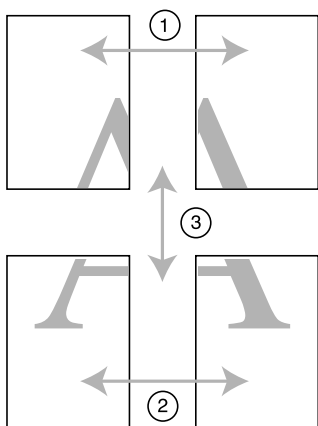
## Variety of Printings

### For poster printing with margins

When you select **Overlapping Alignment Marks**, the following marks are printed on the paper. See the procedures below to join the four printed pages together using the alignment marks.

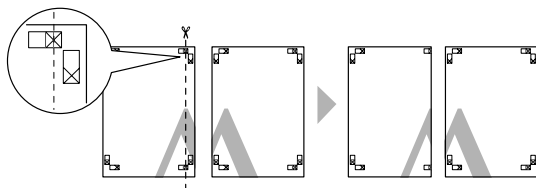


The four sheets are joined together by the following order.

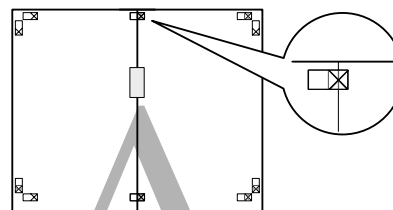


- 1 Cut the upper left sheet along the alignment mark (vertical blue line).

The guide is black for the black-and-white printing.

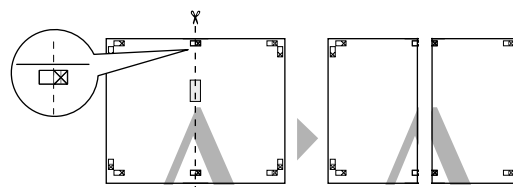


- 2 Lay the upper left sheet on top of the upper right sheet. The X marks should be matched as in the illustration below, and join the upper left sheet to the upper right sheet with cellophane tape temporarily.

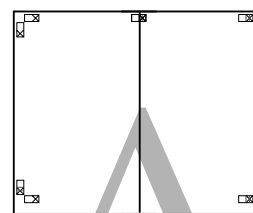


- 3 Cut the upper sheets along the alignment mark (vertical red line).

The guide is black for the black-and-white printing.



- 4 Join the upper left and right sheets together with cellophane tape on the back of the sheets.

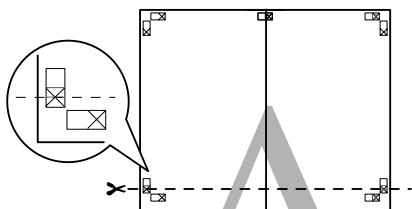


- 5 Try step 1 to 4 for the lower sheets.

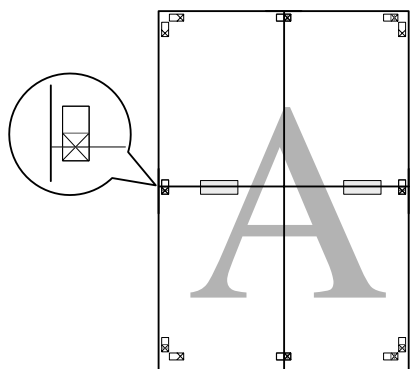
Variety of Printings

- 6** Cut the bottom of upper sheets along the alignment mark (horizontal blue line).

The guide is black for the black-and-white printing.

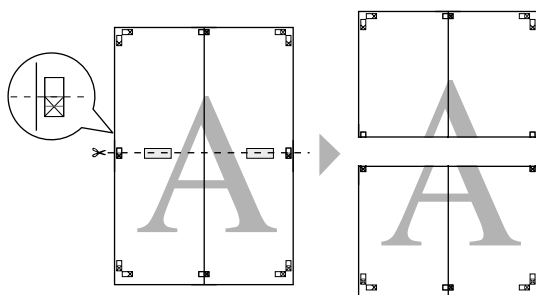


- 7** Lay the upper sheets on top of the lower sheets. The X marks should be matched as in the illustration below, and join the upper sheets and lower sheets together with cellophane tape temporarily.

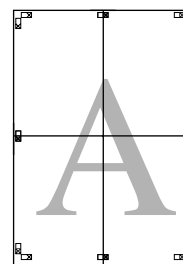


- 8** Cut the sheets along the alignment mark (horizontal red line).

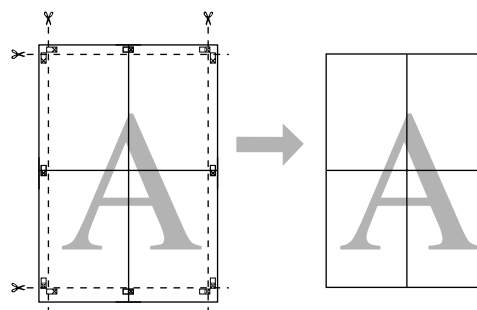
The guide is black for black-and-white printing.



- 9** Join the upper sheets and lower sheets together with cellophane tape on the back of the sheets.



- 10** After joining all the sheets together, cut the margins along the outer guide.



## Variety of Printings

# Printing on Custom Paper

You can also print on a custom paper, using the steps below.



The size you can register is as follow.


Paper width	Epson Stylus Pro 9900/9910: 89 to 1118 mm  Epson Stylus Pro 7900/7910: 89 to 610 mm
Paper height*	Windows: 127 to 15000 mm Mac OS X: 127 to 15240 mm

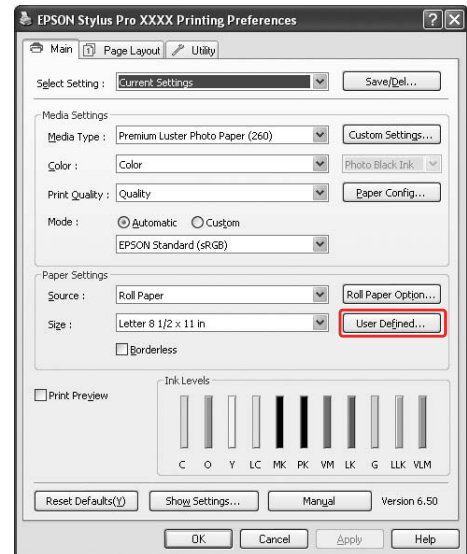
\* The maximum length of the paper roll can be longer than the paper height if using application software that supports banner printing. However, the actual print size is depending on the application, the paper size set in the printer, or the computer environment.

**Note:**

- For Mac OS X, you can set a larger size in the Custom Paper Size than the size that you can set in the printer; however, it does not print correctly.
- The available output size may be limited depending on the application software.

## For Windows

- 1 Open the printer driver window.  
 See "From Windows applications" on page 112
- 2 Click **User Defined** in the Main menu.



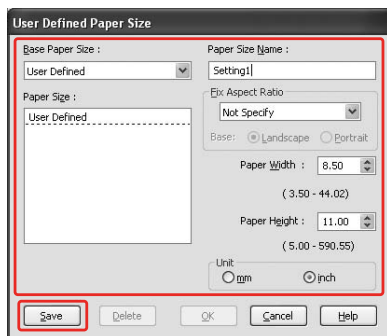
**Note:**

You cannot select **User Defined** if both **Sheet** is selected for **Source** and **Borderless** is selected for **Paper Settings**.

## Variety of Printings

**3** Set the custom paper size you want to use, and then click **Save**.

- ❑ You can enter up to 24 single-byte characters for the Paper Size Name.
- ❑ You can easily change the size by selecting the paper size close to the size you want to set in the Base Paper Size.
- ❑ If the ratio is same as the defined paper size, select the ratio from the Fix Aspect Ratio and select either **Landscape** or **Portrait** for the Base. In this case, you can only adjust either the Paper Width or Paper Height.



**Note:**

- ❑ To change the paper size you have registered, select the paper size name in the list, and then change the size.
- ❑ To delete the user-defined size you have registered, select the paper size name in the list, and then click **Delete**.
- ❑ You can register up to 100 paper sizes.

**4** Click **OK** to save the custom paper size.

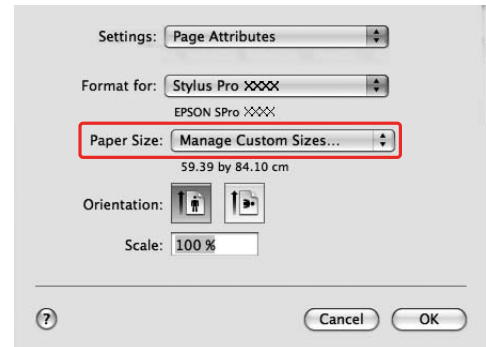
The custom paper size is registered in the Paper Size. Now, you can print by taking the same steps as usual.

## For Mac OS X

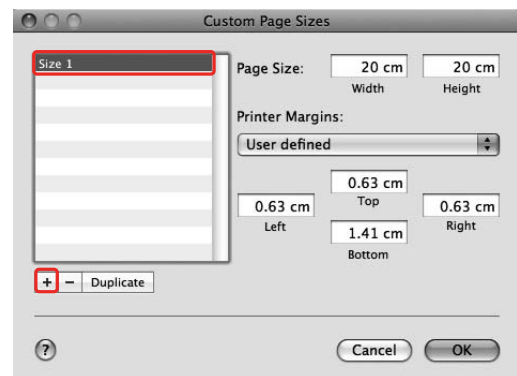
**1** Open the Page Setup dialog.

➤ See "Accessing the Page Setup dialog" on page 122

**2** Select **Manage Custom Sizes** in Paper Size.



**3** Click **+**, and enter the paper size name.



## Variety of Printings

- 4** Enter the paper width, paper height, and margins, and then click **OK**.

The paper size and printer margin you can set is as follow.

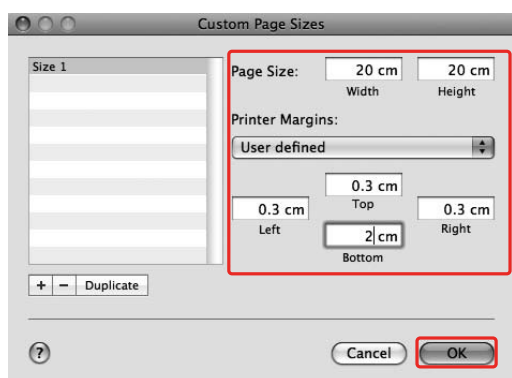
Page setup	Paper size	Margins
Sheet	Supported paper size	Top, Left, Right: 3 mm Bottom: 14.2 mm
Roll Paper	Supported paper size	Top, Bottom, Left, Right: 3 mm
Roll Paper (Banner)	Supported paper size	Top, Bottom: 0 mm Left, Right: 3 mm
Roll Paper (Borderless, Auto Expand)	The paper width that supports borderless printing.	Top, Bottom, Left, Right: 0 mm
Roll Paper (Borderless, Retain Size) Roll Paper (Borderless, Banner)	The paper width that supports borderless printing and plus 6 mm.	Top, Bottom, Left, Right: 0 mm

**Note:**

- To change the setting you have registered, click the paper size name from the list.
- To duplicate the paper size you have registered, click the paper size name from the list, and then click **Duplicate**.
- To delete the paper size you have registered, click the paper size name from the list, and then click **-**.
- The custom paper size setting is different depending on the version of the operating system. See your operating system's documentation for details.

- 5** Click **OK**.

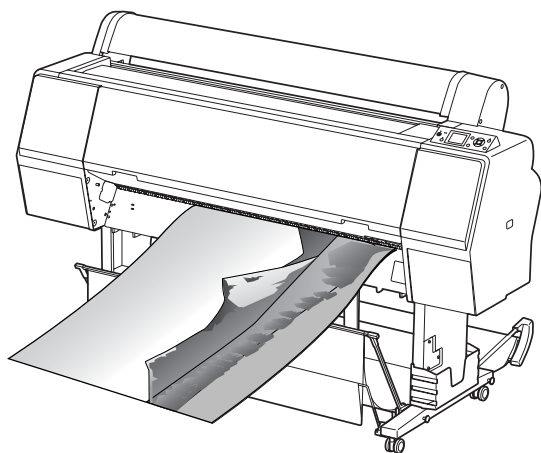
The custom paper size is registered in the Paper Size pop-up menu. Now, you can print by taking the same steps as usual.



## Variety of Printings

# Banner Printing on Roll Paper

This section explains how to print a banner and panorama pictures.



There are two ways to print a banner.

Paper source	Application
Roll Paper	Document preparation tool, image editing software
Roll Paper (Banner)	Software that supports banner printing

The following are the available printing sizes.

Paper width	Epson Stylus Pro 9900/9910: 89 to 1118 mm  Epson Stylus Pro 7900/7910: 89 to 610 mm
Paper height*	Windows: Max. 15000 mm Mac OS X: Max. 15240 mm

\* The maximum length of the paper roll can be longer than the paper height if using the software that supports banner printing; however, the actual printable height may be different depending on the application and the computer used for printing.

## Application settings

You need to make the data for printing a banner using an application.

If the paper size you want to print is equal to or smaller than the maximum setting size the application can set, select the paper size you prefer.

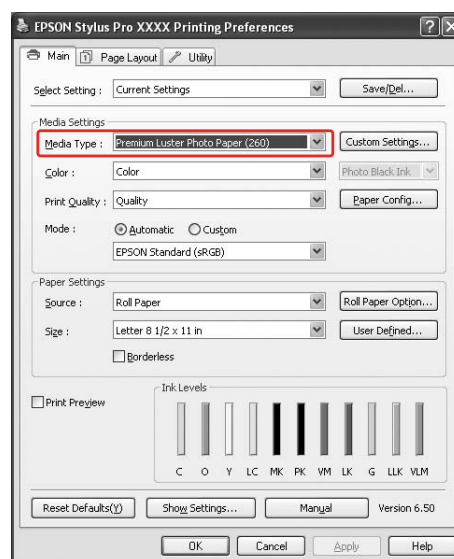
## Printer driver settings

### For Windows

**1** Open the printer driver window.

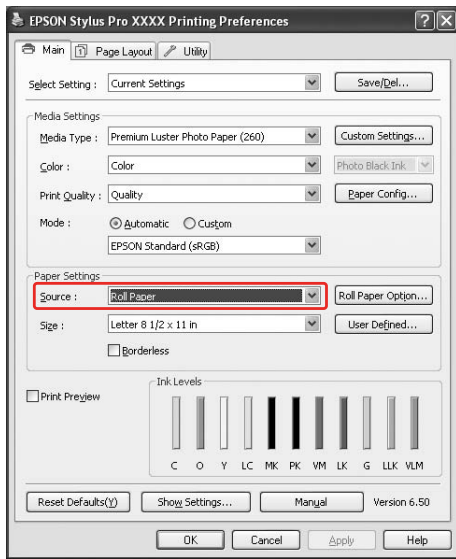
➔ See "From Windows applications" on page 112

**2** In the Main menu, select media type.



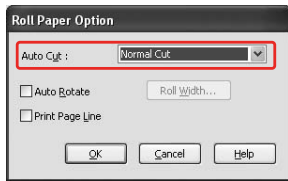
Variety of Printings

**3** Select **Roll Paper** or **Roll paper (Banner)** from the Source list.



**Note:**  
*Roll Paper (Banner) can be used for an application that supports banner printing.*

**4** Click **Roll Paper Option**, and then select **Normal Cut** or **Off** from the Auto Cut list.

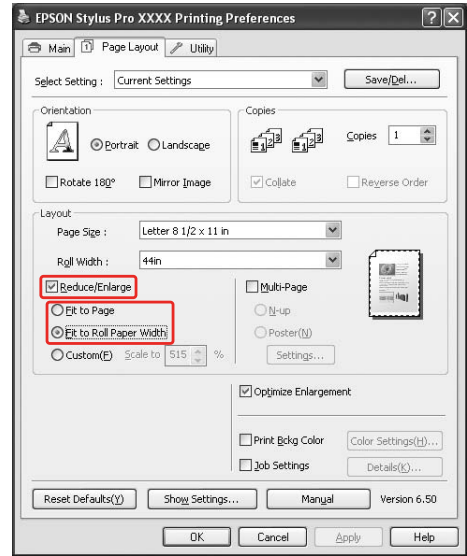


**5** Click **User Defined** and customize the paper size if necessary.

Paper width	Epson Stylus Pro 9900/9910: 89 to 1118 mm  Epson Stylus Pro 7900/7910: 89 to 610 mm
Paper height	127 to 15000 mm

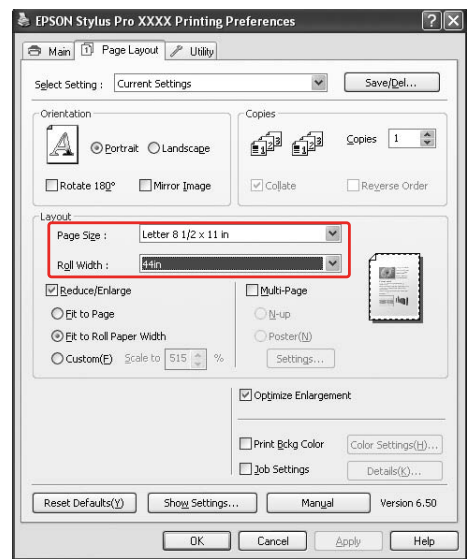
**Note:**  
*If you are using an application that supports banner printing, you do not need to set the user-defined size if you select **Roll Paper (Banner)** for the Source.*

**6** Click the **Page Layout** tab, and select **Reduce/Enlarge**, and then select **Fit to Page** or **Fit to Roll Paper Width**.



**Note:**  
*If you are using an application that supports banner printing, you do not need to make Enlarge/Reduce setting if **Roll Paper (Banner)** is selected for the Source.*

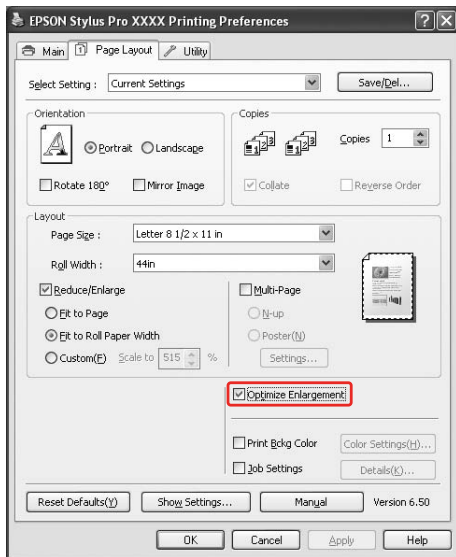
**7** Select the document size created using the application from the Page Size list and select the roll paper width set in the printer for the Roll Width.



**Note:**  
*You cannot make settings if you are using an application that supports banner printing.*

Variety of Printings

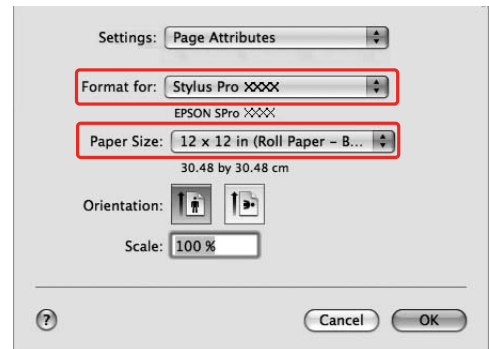
- 8 Make sure the **Optimize Enlargement** check box is selected.



- 9 Check the other settings, and then start printing.

For Mac OS X

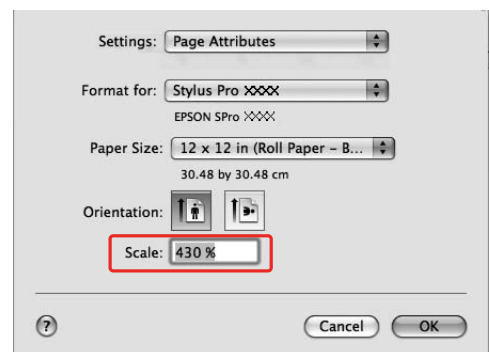
- 1 Open the Page Setup dialog.  
See "Accessing the Page Setup dialog" on page 122
- 2 Make sure your printer is selected, and select the document size created using the application.



You can also customize the paper size by selecting **Manage Custom Sizes**.

Paper width	Epson Stylus Pro 9900/9910: 89 to 1118 mm  Epson Stylus Pro 7900/7910: 89 to 610 mm
Paper height	127 to 15240 mm

- 3 Input a scale to reduce or enlarge the size of your data.



- 4 Click **OK**.

Now, the banner setting has been made. Print your data as usual.



## Printing with Non-Epson Media

When using non-Epson media, make the paper settings according to the paper characteristics before printing. There are two ways to make settings and to print.

- ❑ Register the custom paper in the Menu mode using the printer's control panel, and print using the registered setting. The registered contents are stored when this product is turned off. You can register up to 10 types of custom paper.
- ❑ Make setting using the Paper Configuration dialog box in the printer driver.

Windows:

Set the Media Settings in the Main menu.

☞ See "Saving as a custom media" on page 161

Mac OS X:

Set in the Layout dialog.

See the printer driver online help for details.

### Note:

- ❑ Make sure to check the paper characteristics such as paper tension, ink fixing, or paper thickness before setting the custom paper. See the description that comes with the paper for information on the paper characteristics.
- ❑ The settings you make on the printer driver have priority over the settings you make on the printer's control panel.
- ❑ If bidirectional printing does not print evenly on the custom paper you have registered, use unidirectional printing. Select **Quality Options** for the Print Quality setting to show the **Quality Options** dialog box. Then, clear the **High Speed** check box.

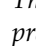
## Setting the custom paper in the printer




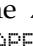
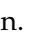
There are two ways to register a custom size paper.

- ❑ Register the custom paper on the LCD panel of the printer. Set the items for PAPER SETUP menu.
- ❑ Register the custom paper by using EPSON LFP Remote Panel 2. When using EPSON LFP Remote Panel 2, you can easily register the custom paper to the memory in this product from the computer. See the EPSON LFP Remote Panel 2 online help for details.

This section explains how to register the custom paper from the printer's control panel. The registered number is displayed on the LCD panel.

### Note:

The printer becomes in the READY state when you press the  button at any point of making the following settings. The settings you have made so far are registered as the custom settings (including unchanged settings).

- 1 Load the paper that you want to use.
  - Make sure to set the paper that is actually used.
- 2 Enter the CUSTOM PAPER menu.
  1. Press the  button to enter the Menu mode.
  2. Press the  button to display PAPER SETUP, and then press the  button.
  3. Press the  button to display CUSTOM PAPER, and press the  button.

## Variety of Printings

- 3** Select the registered number for the user setting.

You can select the number from 1 to 10.

1. Press the ▲ / ▼ button to select the number you want to register.
2. Press the ► button.

The settings you make from step 4 are registered in the number you have selected here.

**Note:**

We recommend you write down the registered number and the settings you make from step 4.

- 4** Select paper type, if necessary.

1. Press the ▲ / ▼ button to select PAPER TYPE, and then press the ► button.
2. Press the ▲ / ▼ button to select media type, and then press the ► button.
3. Press the ▲ / ▼ button to select media.
4. Press the OK button.
5. Press the ◀ button twice to go back to the previous menu.

- 5** Set the distance between the print head and the paper (Platen Gap), if necessary.

1. Press the ▲ / ▼ button to select PLATEN GAP, and then press the ► button.
2. Press the ▲ / ▼ button to select a suitable setting for the paper.
3. Press the OK button.
4. Press the ◀ button to go back to the previous menu.

**Note:**

You can adjust the distance between the print head and paper. The print quality improves when you adjust the Platen Gap properly. If the Platen Gap is too narrow when you print on the thick paper, the print head touches the paper so that the print head and the paper may be damaged.

Paper thickness	Platen Gap
Thick paper	Wider
	Wide
Normal paper	Standard
Thin paper	Narrow

## Variety of Printings

### 6 Print a paper thickness test pattern.

1. Press the ▲ / ▼ button to select THICKNESS PATTERN, and then press the ► button.
2. Press the OK button to print the paper thickness test pattern.

Example of pattern:



### 7 Examine the printed pattern to determine which set of lines are aligned (showing the smallest gap), and select the Thickness Number (from 1 to 15).

1. Press the ▲ / ▼ button to select the number. In the case of the illustration above, select 4.
2. Press the OK button.

### 8 Set Paper Feed Adjustment, if necessary.

Set the paper feed amount (- 0.7 to 0.7%).

1. Press the ▲ / ▼ button to select PAPER FEED ADJUST, and then press the ► button.
2. Press the ▲ / ▼ button to set the paper feed amount.
3. Press the OK button.
4. Press the ◀ button to go back to the previous menu.

**Note:**

You can get a high-quality result if you print a sample image using EPSON LFP Remote Panel 2 to set the value for Paper Feed Adjustment.

### 9 Set drying time, if necessary.

You can set the ink drying time for each print head pass. The range is 0.0 to 10.0 seconds.

1. Press the ▲ / ▼ button to select DRYING TIME, and then press the ► button.
2. Press the ▲ / ▼ button to select the time in seconds.
3. Press the OK button.
4. Press the ◀ button to go back to the previous menu.

**Note:**

If the ink blurs on the paper, set a longer time for ink drying.

### 10 Select the paper suction, if necessary.

1. Press the ▲ / ▼ button to select PAPER SUCTION, and then press the ► button.
2. Press the ▲ / ▼ button to select a suitable setting for the paper.
3. Press the OK button.
4. Press the ◀ button to go back to the previous menu.

### 11 Select the roll paper tension, if necessary.

1. Press the ▲ / ▼ button to select SET ROLL PAPER TENSION, and then press the ► button.
2. Press the ▲ / ▼ button to select a suitable setting for the paper.
3. Press the OK button.
4. Press the ◀ button to go back to the previous menu.

### 12 Select the remove skew setting, if necessary.

1. Press the ▲ / ▼ button to select REMOVE SKEW, and then press the ► button.
2. Press the ▲ / ▼ button to select a suitable setting for the paper.
3. Press the OK button.
4. Press the ◀ button to go back to the previous menu.

### 13 After registering the paper settings, press the II button to exit the Menu mode.

The custom paper setting is now completed. Start printing to print on the custom paper you just set.

## Variety of Printings

To use the registered custom settings, follow the steps below.

1. Press the **▶** button to enter the Menu mode.
2. Press the **▲ / ▼** button to display PAPER SETUP, and then press the **▶** button.
3. Press the **▲ / ▼** button to select PAPER TYPE, and then press the **▶** button.
4. Press the **▲ / ▼** button to display CUSTOM PAPER, and then press the **▶** button.
5. Press the **▲ / ▼** button to select media type, and then press OK button.

Press the **⏏** button to exit the Menu mode and then print the data.

## Customize the Items of the Printer Driver

You can save the settings or change the display items as you prefer. You can also export the settings as a file and make the same printer driver settings to multiple computers.

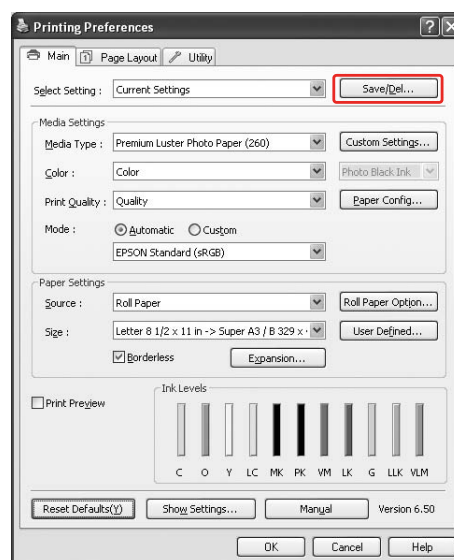
## Saving the printer driver settings

You can save up to 100 settings.

### Saving as a favorite

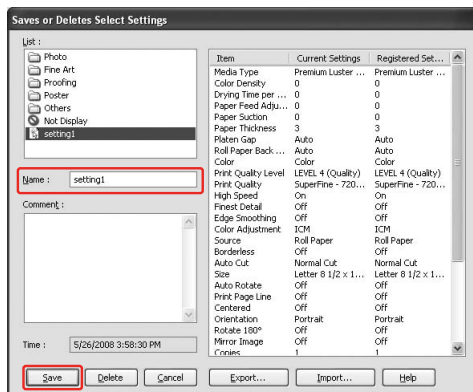
You can save all the setting items of the printer driver.

- 1 Change the settings in the Main and Page Layout menu.
- 2 Click **Save/Del...** in the Main or Page Layout menu.



## Variety of Printings

- 3 Enter the name in the Name box, and then click **Save**.

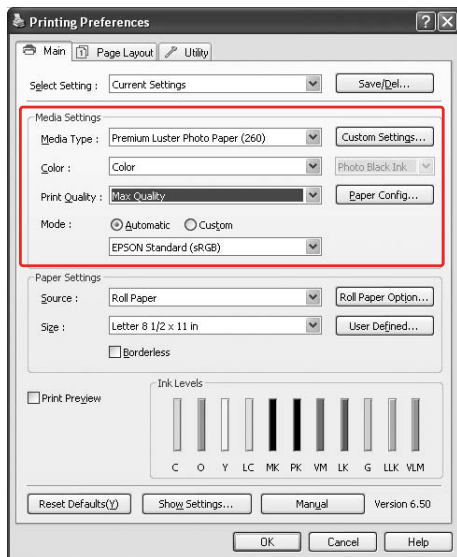


You can choose a setting you have registered from the Select Setting list box.

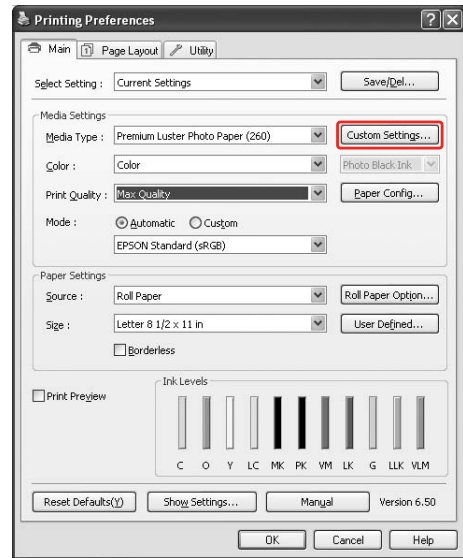
### Saving as a custom media

You can save the items of the Media Settings in the Main menu.

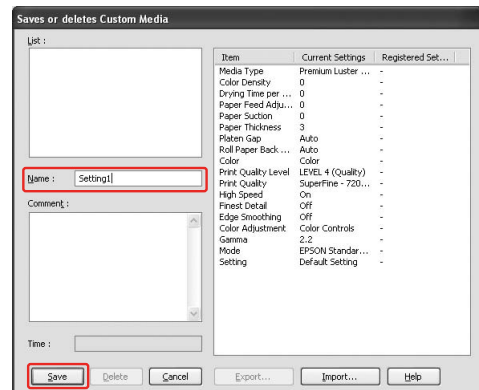
- 1 Change the Media Settings items in the Main menu.



- 2 Click **Custom Settings**.



- 3 Enter the name in the Name box, and then click **Save**.



You can choose a setting you have registered from the Media Type list box.

## Variety of Printings

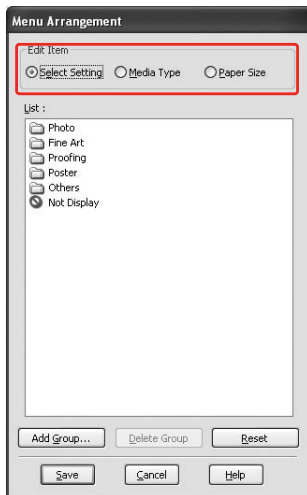
### Menu arrangement

You can arrange the Select Settings, Media Type, and Paper Size items.

- 1 Click the **Utility** tab, and then click **Menu Arrangement**.

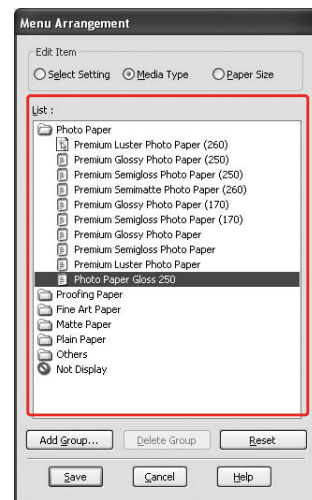


- 2 Select the edit item.



- 3 In the List box, arrange the items as you prefer, or classify the items into groups.

- You can arrange the list items by drag-and-drop operation.
- To add a new group (a folder), click **Add Group**.
- To delete the group (a folder), click **Delete Group**.
- Move the unused items into the **Not Display** group by drag-and-drop operation.



**Note:**  
You cannot delete the default items.

- 4 Click **Save**.

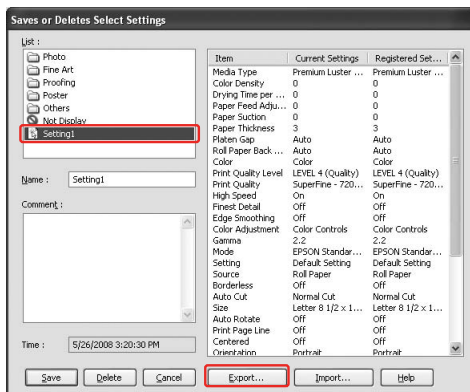
## Variety of Printings

### Exporting or Importing

You can export or import the settings you have registered as a file.

#### Exporting the settings

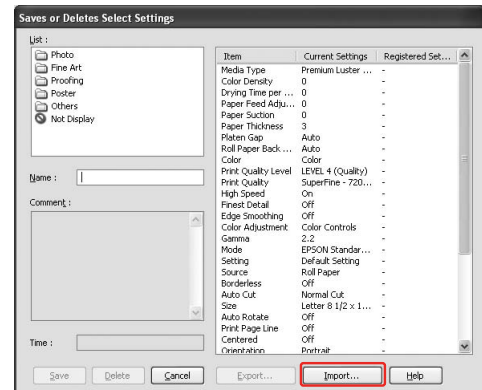
- 1 Open the Save or Deletes Select Settings dialog box or the Saves or deletes Custom Media dialog box.
- 2 Select the setting in the List box, and click **Export**.



- 3 Select the location, and enter the file name, and then click **Save**.

#### Importing the settings

- 1 Open the Save or Deletes Select Settings dialog box or the Saves or deletes Custom Media dialog box.
- 2 Click **Import**.



- 3 Select the file you want to import, and then click **Open**.

## Variety of Printings

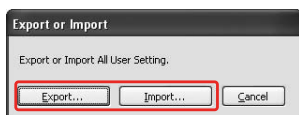
### Exporting or importing all settings

You can export or import the all of the printer driver settings as a file.

- 1 Click the **Utility** tab, and then click **Export** or **Import**.



- 2 Click **Export** or **Import**.



- 3 To export the setting, enter the file name and then click **Save**. To import the setting, select the file you want to import and then click **Open**.

### Using Color Management

You can perform color management by the printer driver in the following three ways.

- ❑ Color management by Driver ICM (Windows only)

You can perform color management by using the printer driver only. It is useful when you use an application that does not support this function. It prints using the color management function of the operating system.

- ❑ Color management by Host ICM/ ColorSync

An application needs to support a color management system. Since it prints using the color management function of the operating system, you can obtain the prints by the same color management system even when performing the function using different applications. However, the printed colors may differ depending on the version of the operating system.

- ❑ Color management by application

An application needs to support a color management system. Since it prints using the color management function of an application in common, you can obtain the print results by using the same color management system even when performing the function with a different operation system.

#### Setting profiles

Setting for an input profile, printer profile, and intent vary depending on each color management system. This is because the usage of color management is different between the engines.

	Input profile	Output profile	Intent setting
Driver ICM	Printer driver	Printer driver	Printer driver
Host ICM/ ColorSync	Application	Printer driver	Application
Application	Application	Application	Application



## Variety of Printings

The printer profile for each sheet that is needed when performing color management is installed with the printer driver of this product. You can select the profile in the settings dialog box of the printer driver.

See the following for detailed information.

- See "Color management by Driver ICM (Windows only)" on page 165
- See "Color management by Host ICM or ColorSync" on page 167
- See "Color management by application" on page 169

### Note:

Even when you use the same image data, it looks different between an original image and a displayed image. The printing result may look different as well from the image you see on the display. This occurs from the difference of characteristics between the input and output devices. Input devices such as a scanner or digital camera import the color as electronic data while output devices reproduce an image based on the color data. To adjust the color between the devices, use a color management system. Each operating system is equipped with a color management system, such as ICM for Windows and ColorSync for Mac OS X. Also, some image editing software support color management systems.

In a color management system, a color definition file called "Profile" is used for performing color matching between devices. (This file is also called an ICC profile.) The profile of an input device is called an input profile (or source profile), and an output device, such as a printer, is called a printer profile (or output profile). The profile is prepared for each printer model and each media type.

The color conversion area by an input device and the color reproducing area by an output device are different. As a result, there exists a color area that fails to match even if performing "color matching" by using the profile. In the color management system, specify the condition of conversion for the area that fails to match as "Intent" other than specifying profiles. The name and type of intent vary depending on the color management system you are using.

If you perform the color management between an input device and the printer, you cannot match the color of the printing result and image you see on the display. To match both colors, you need to perform the color management between the input device and the display as well.

## Color management by Driver ICM (Windows only)

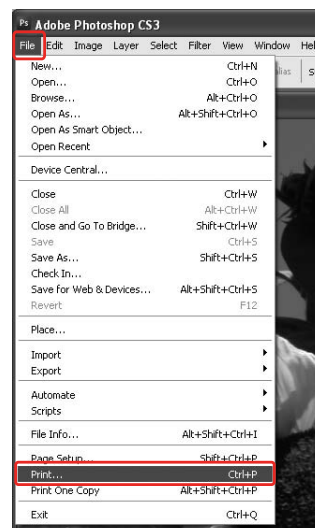
When using Driver ICM in the printer driver from an application with a color management function, the settings vary depending on the Windows environment and type of the application. Refer to the following chart to set the application.

When using this function with an application which does not support a color management function, you need to perform the color matching process from step 4.

	Windows Vista/ Windows XP Service Pack 2 or later, and .NET 3.0	Windows XP/ Windows 2000
Adobe Photoshop CS3	Printer Manages Colors	No Color Management
Other applications	No Color Management	No Color Management

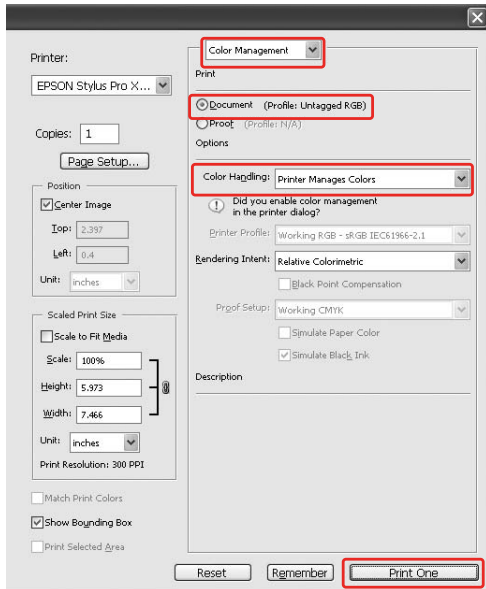
## Using Adobe Photoshop CS3

- 1 From the File menu, select Print.

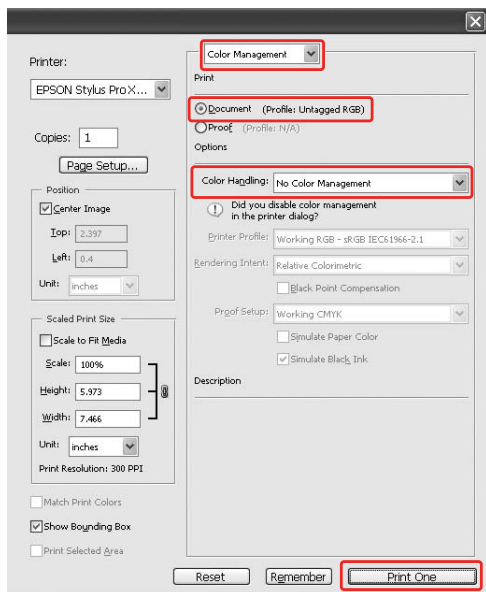


## Variety of Printings

- 2** For Windows Vista/Windows XP (Service Pack 2 or later and .NET3.0):  
Select **Color Management**, and select **Document** for the Print. Select **Printer Manages Colors** for the Color Handling. Then click **Print One**.



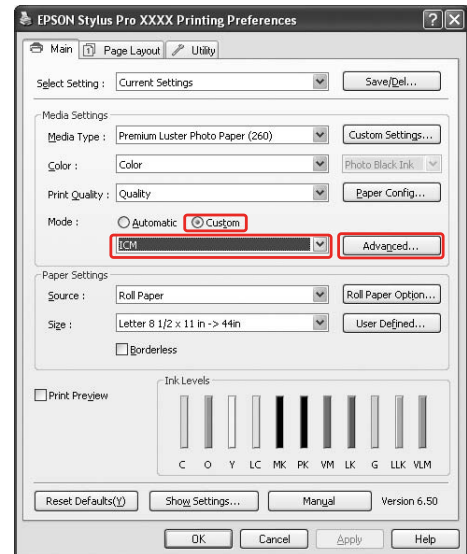
For Windows XP/Windows 2000:  
Select **Color Management**, and select **Document** for the Print. Select **No Color Management** for the Color Handling. Then click **Print One**.



- 3** Open the printer driver window.

See "From Windows applications" on page 112

- 4** Select **Custom** for the Mode in the Main menu, and select **ICM**, and then click **Advanced**.

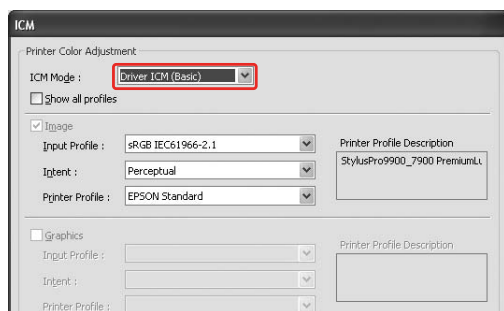


## Variety of Printings

- 5** In the ICM dialog box, select **Driver ICM (Basic)** or **Driver ICM (Advanced)** for the ICM Mode.

If you select **Driver ICM (Advanced)**, you can specify the profiles and intent for image, graphics, and text data individually.

Intent	Explanation
Saturation	Performs conversion, keeping the current saturation unchanged.
Perceptual	Performs conversion so that a more visually natural image is produced. This feature is used when a wider gamut of color is used for image data.
Relative Colorimetric	Performs conversion so that a set of color gamut coordinates and white point (or color temperature) coordinates in original data match their corresponding print coordinates. This feature is used for many types of color matching.
Absolute Colorimetric	Assigns absolute color gamut coordinates to both of original and print data and performs conversion. Therefore, color tone adjustment is not performed on any white point (or color temperature) for the original or print data. This feature is used for special purposes such as logo color printing.



- 6** Check other settings, and then start printing.

## Color management by Host ICM or ColorSync

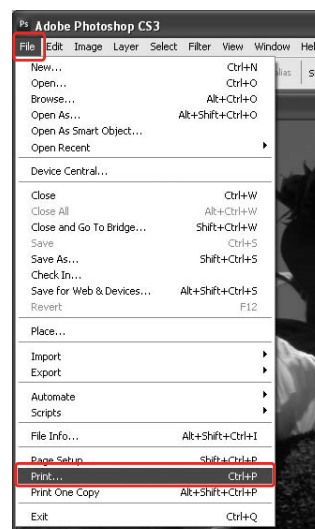
Use image data in which an input profile has been embedded. The application needs to support ICM or ColorSync.

When using Adobe Photoshop CS3 or Adobe Photoshop Lightroom in Mac OS X 10.5, the color management by the Host ICM or ColorSync cannot be used. Use the color management function of the application.

	Adobe Photoshop CS2 Adobe Photoshop CS3 Adobe Photoshop Lightroom	Other Applications
Mac OS X 10.3.9 to 10.4	Available	Available
Mac OS X 10.5	Not Available	Available

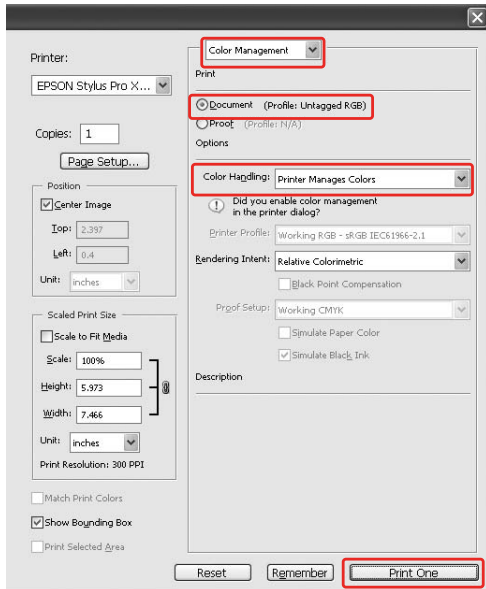
## Using Adobe Photoshop CS3

- 1** From the File menu, select **Print**.



## Variety of Printings

- 2** Select **Color Management**, and then select **Document** for the Print. Select **Printer Manages Colors** for the Color Handling. Then click **Print One**.



Then, set the printer driver as described below.

## Windows

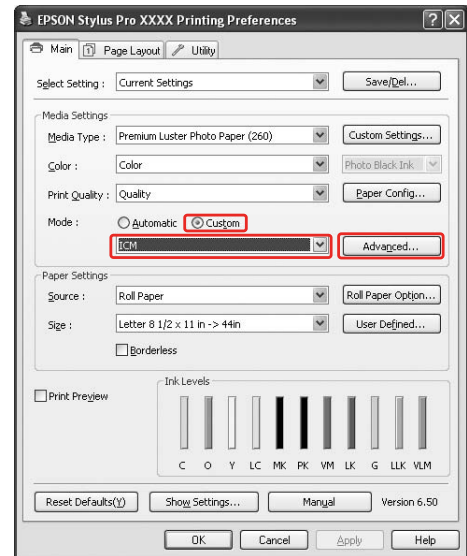
☞ See "For Windows" on page 168

## Mac OS X 10.3.9 to 10.4

☞ See "For Mac OS X 10.3.9 to 10.4" on page 169

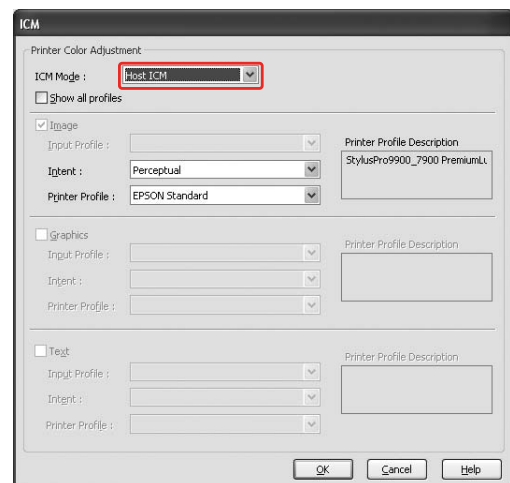
## For Windows

- 1** Open the printer driver window.  
☞ See "From Windows applications" on page 112
- 2** Select **Custom** for the Mode in the Main menu, and select **ICM**, and then click **Advanced**.



- 3** Select **Host ICM**.

The printer profile is selected automatically. You can change it by selecting the Show all profiles checked box.

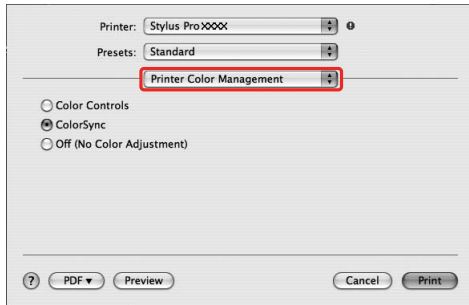


- 4** Check other settings, and then start printing.

## Variety of Printings

### For Mac OS X 10.3.9 to 10.4

- 1 Open the Print dialog.  
See "Accessing the Print dialog" on page 122
- 2 Select **Printer Color Management**, and then select **ColorSync**.



- 3 Check other settings, and then start printing.

#### Note:

In Mac OS X 10.5, when you want to perform color management by the Host ICM or ColorSync using an application other than Adobe Photoshop CS3 or Adobe Photoshop Lightroom, make the following settings.

1. In the Print dialog box, select **Color Matching**, and then select **ColorSync**.
2. Select **Print Settings** from the list, and select **Off (No Color Adjustment)** for the Color Settings.

## Color management by application

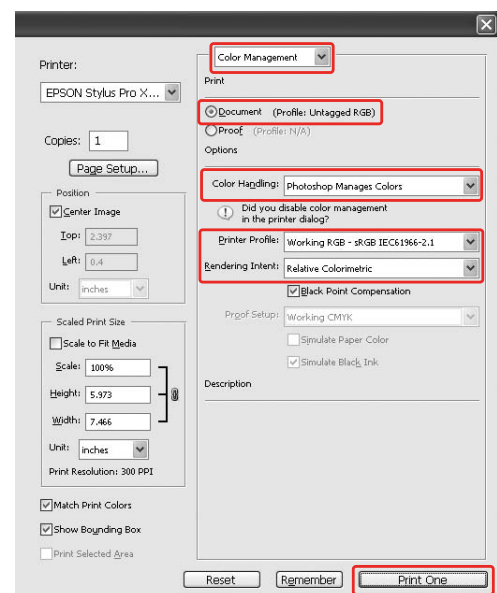
The following procedures are for Adobe Photoshop CS3 and Adobe Photoshop Elements. Refer to the application's user manual for details of the settings.

### Using Adobe Photoshop CS3

- 1 From the File menu, select **Print**.



- 2 Select **Color Management**, and select **Document** for the Print. Select **Photoshop Manages Colors** for the Color Handling. Select the Printer Profile and the Rendering Intent. Then click **Print One**.



## Variety of Printings

- 3** Open the printer driver window (Windows) or the Print dialog (Mac OS X).

### Windows

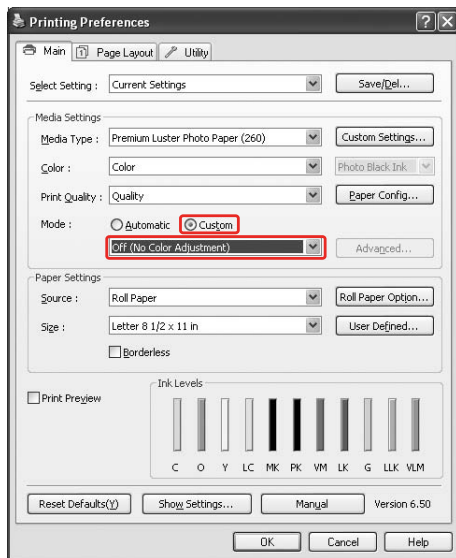
See “From Windows applications” on page 112

### Mac OS X

See “Accessing the Print dialog” on page 122

- 4** Set the color management to off.

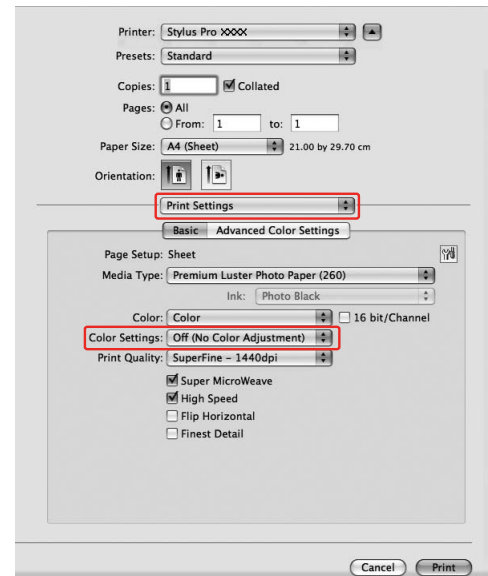
For Windows, select **Custom** for the Mode in the Main menu, and then select **Off (No Color Adjustment)**.



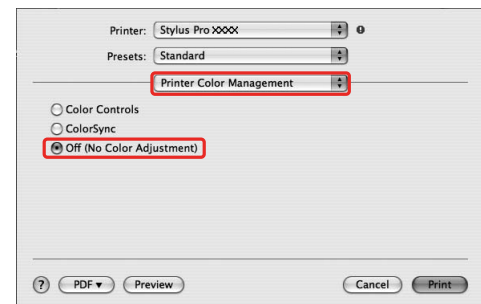
### Note:

When using Windows Vista/Windows XP Service Pack 2 or later and .NET 3.0, **Off (No Color Adjustment)** is automatically selected.

For Mac OS X 10.5, select **Print Settings** and select **Off (No Color Adjustment)** for the Color Settings.



For Mac OS X 10.3.9 to 10.4, select **Off (No Color Adjustment)** in the Printer Color Management dialog.



- 5** Check other settings, and then start printing.

## Paper Information

---

# Paper Information

---

## Paper Information

Epson offers specially designed media for ink jet printers to meet most high-quality printing needs.

Item	Explanation
Media name	Describes the media name.
Size	Describes the paper size for cut sheet media and the width for roll paper.
Borderless	Describes whether borderless printing is available. Recommended: The recommended paper for borderless printing. Possible: Borderless printing is possible.* Impossible: Borderless printing is not supported.  * You can print without margins on paper; however, it may deteriorate print quality, or may produce unwanted margins due to paper expansion or shrinkage. Also, some ordinary paper products cannot be used for borderless printing.
Thickness	Describes the thickness of each media.
Core diameter	Describes the core diameter of the roll paper.
ICC profile	Describes the ICC profile of the media type. It is shown as the profile name in the printer driver or the application. The file name of the profile is used as the profile name in the printer driver or the application. Each profile is provided for the paper products for which both Photo Black ink and Matte Black ink can be used.
Media type of the printer driver	Describes the Media Type of the printer driver. Be sure to match the media type you set in the printer driver and the paper loaded in the printer; otherwise, the print quality may decline.
Auto Cut	Describes whether Auto Cut is supported.  Y: Auto Cut is supported. N: Auto Cut is not supported. Use a cutter sold at a store to cut the paper.

## Paper Information

## Roll paper

Premium Glossy Photo Paper (250)				
Size		Borderless	Thickness	Core diameter
406 mm	16"	Recommended	0.27 mm	3"
610 mm	24"			
914 mm *	36" *			
1118 mm *	44" *			
ICC profile		Media type of the printer driver		Auto Cut
Photo Black	Matte Black	Photo Paper	Premium Glossy Photo Paper (250)	Y
Pro9900_7900 PremiumGlossyPhoto Paper250.icc	—			

Premium Semigloss Photo Paper (250)				
Size		Borderless	Thickness	Core diameter
406 mm	16"	Recommended	0.27 mm	3"
610 mm	24"			
914 mm *	36" *			
1118 mm *	44" *			
ICC profile		Media type of the printer driver		Auto Cut
Photo Black	Matte Black	Photo Paper	Premium Semigloss Photo Paper (250)	Y
Pro9900_7900 PremiumSemigloss PhotoPaper250.icc	—			



## Paper Information

Premium Luster Photo Paper (260)				
Size		Borderless	Thickness	Core diameter
254 mm	10"	Recommended	0.27 mm	3"
300 mm	12"			
406 mm	16"			
508 mm	20"	Impossible	Recommended	
610 mm	24"			
914 mm *	36" *			
1118 mm *	44" *			
ICC profile		Media type of the printer driver		Auto Cut
Photo Black	Matte Black	Photo Paper	Premium Luster Photo Paper (260)	Y
Pro9900_7900 PremiumLusterPhoto Paper260.icc	—			

Premium Semimatte Photo Paper (260)				
Size		Borderless	Thickness	Core diameter
406 mm	16"	Recommended	0.27 mm	3"
610 mm	24"			
914 mm *	36" *			
1118 mm *	44" *			
ICC profile		Media type of the printer driver		Auto Cut
Photo Black	Matte Black	Photo Paper	Premium Semimatte Photo Paper (260)	Y
Pro9900_7900 PremiumSemimatte PhotoPaper260.icc	—			

Photo Paper Gloss 250				
Size		Borderless	Thickness	Core diameter
432 mm	17"	Recommended	0.25 mm	3"
610 mm	24"			
914 mm *	36" *			
1118 mm *	44" *			
ICC profile		Media type of the printer driver		Auto Cut
Photo Black	Matte Black	Photo Paper	Photo Paper Gloss 250	Y
Pro9900_7900 PhotoPaperGloss250. icc	—			

## Paper Information

Premium Glossy Photo Paper (170)				
Size		Borderless	Thickness	Core diameter
420 mm (A2)		Impossible	0.18 mm	2"
610 mm	24"	Recommended		
914 mm *	36" *			
1118 mm *	44" *			
ICC profile		Media type of the printer driver		Auto Cut
Photo Black	Matte Black	Photo Paper	Premium Glossy Photo Paper (170)	Y
Pro9900_7900 PremiumGlossyPhoto Paper170.icc	—			

Premium Semigloss Photo Paper (170)				
Size		Borderless	Thickness	Core diameter
420 mm (A2)		Impossible	0.18 mm	2"
610 mm	24"	Recommended		
914 mm *	36" *			
1118 mm *	44" *			
ICC profile		Media type of the printer driver		Auto Cut
Photo Black	Matte Black	Photo Paper	Premium Semigloss Photo Paper (170)	Y
Pro9900_7900 PremiumSemigloss PhotoPaper170.icc	—			

Epson Proofing Paper White Semimatte				
Size		Borderless	Thickness	Core diameter
330 mm	13"	Possible	0.25 mm	3"
432 mm	17"			
610 mm	24"			
914 mm *	36" *			
1118 mm *	44" *			
ICC profile		Media type of the printer driver		Auto Cut
Photo Black	Matte Black	Proofing Paper	Epson Proofing Paper White Semimatte	Y
Pro9900_7900 EpsonProofingPaper WhiteSemimatte.icc	—			

## Paper Information

Epson Proofing Paper Publication				
Size		Borderless	Thickness	Core diameter
330 mm	13"	Possible	0.20 mm	3"
432 mm	17"			
610 mm	24"			
914 mm *	36" *			
1118 mm *	44" *			
ICC profile		Media type of the printer driver		Auto Cut
Photo Black	Matte Black	Proofing Paper	Epson Proofing Paper Publication	Y
Pro9900_7900 EpsonProofingPaper Publication.icc	—			

Epson Proofing Paper Commercial				
Size		Borderless	Thickness	Core diameter
330 mm	13"	Possible	0.20 mm	3"
432 mm	17"			
610 mm	24"			
914 mm *	36" *			
1118 mm *	44" *			
ICC profile		Media type of the printer driver		Auto Cut
Photo Black	Matte Black	Proofing Paper	Epson Proofing Paper Commercial	Y
Pro9900_7900 EpsonProofingPaper Commercial.icc	—			

Enhanced Synthetic Paper				
Size		Borderless	Thickness	Core diameter
610 mm	24"	Possible	0.12 mm	2"
1118 mm *	44" *			
ICC profile		Media type of the printer driver		Auto Cut
Photo Black	Matte Black	Others	Enhanced Synthetic Paper	Y
—	Pro9900_7900 EnhancedSyntheticPa per.icc			

## Paper Information

Enhanced Adhesive Synthetic Paper				
Size		Borderless	Thickness	Core diameter
610 mm	24"	Possible	0.17 mm	2"
1118 mm *	44" *			
ICC profile		Media type of the printer driver		Auto Cut
Photo Black	Matte Black	Others	Enhanced Adhesive Synthetic Paper	Y
—	Pro9900_7900 EnhancedAdhesive SyntheticPaper.icc			

Doubleweight Matte Paper				
Size		Borderless	Thickness	Core diameter
610 mm	24"	Recommended	0.21 mm	2"
914 mm *	36" *			
1118 mm *	44" *			
ICC profile		Media type of the printer driver		Auto Cut
Photo Black	Matte Black	Matte Paper	Doubleweight Matte Paper	Y
—	Pro9900_7900 DoubleweightMatte Paper.icc			

Enhanced Matte Paper				
Size		Borderless	Thickness	Core diameter
432 mm	17"	Possible	0.25 mm	3"
610 mm	24"			
914 mm *	36" *			
1118 mm *	44" *			
ICC profile		Media type of the printer driver		Auto Cut
Photo Black	Matte Black	Matte Paper	Enhanced Matte Paper	Y
Pro9900_7900 EnhancedMattePaper _PK.icc	Pro9900_7900 EnhancedMattePaper _MK.icc			

## Paper Information

Singleweight Matte Paper				
Size		Borderless	Thickness	Core diameter
432 mm	17"	Recommended	0.14 mm	2"
610 mm	24"			
914 mm *	36" *			
1118 mm *	44" *			
ICC profile		Media type of the printer driver		Auto Cut
Photo Black	Matte Black	Matte Paper	Singleweight Matte Paper	Y
—	Pro9900_7900 SingleweightMatte Paper.icc			

Watercolor Paper - Radiant White				
Size		Borderless	Thickness	Core diameter
610 mm	24"	Possible	0.29 mm	3"
914 mm *	36" *			
1118 mm *	44" *			
ICC profile		Media type of the printer driver		Auto Cut
Photo Black	Matte Black	Fine Art Paper	Watercolor Paper - Radiant White	Y
Pro9900_7900 WatercolorPaper- RadiantWhite_PK.icc	Pro9900_7900 WatercolorPaper- RadiantWhite_MK.icc			

UltraSmooth Fine Art Paper				
Size		Borderless	Thickness	Core diameter
432 mm	17"	Possible	0.32 mm	3"
610 mm	24"			
1118 mm *	44" *			
ICC profile		Media type of the printer driver		Auto Cut
Photo Black	Matte Black	Fine Art Paper	UltraSmooth Fine Art Paper	Y
Pro9900_7900 UltraSmoothFineArt Paper_PK.icc	Pro9900_7900 UltraSmoothFineArt Paper_MK.icc			

## Paper Information

Textured Fine Art Paper				
Size		Borderless	Thickness	Core diameter
432 mm	17"	Possible	0.37 mm	3"
610 mm	24"			
914 mm *	36" *			
1118 mm *	44" *			
ICC profile		Media type of the printer driver		Auto Cut
Photo Black	Matte Black	Fine Art Paper	Textured Fine Art Paper	Y
Pro9900_7900 TexturedFineArtPaper_ PK.icc	Pro9900_7900 TexturedFineArtPaper_ MK.icc			

Canvas				
Size		Borderless	Thickness	Core diameter
610 mm	24"	Possible	0.46 mm	2"
914 mm *	36" *			
1118 mm *	44" *			
ICC profile		Media type of the printer driver		Auto Cut
Photo Black	Matte Black	Fine Art Paper	Canvas	Y
Pro9900_7900 Canvas_PK.icc	Pro9900_7900 Canvas_MK.icc			

\* Epson Stylus Pro 7900/7910 does not support these size.

## Paper Information

## Cut sheet

Premium Glossy Photo Paper			
Size		Borderless	Thickness
Super A3/B		Possible	0.27 mm
A2		Impossible	
ICC profile		Media type of the printer driver	
Photo Black	Matte Black	Photo Paper	Premium Glossy Photo Paper
Pro9900_7900 PremiumGlossyPhoto Paper.icc	—		

Premium Semigloss Photo Paper			
Size		Borderless	Thickness
Super A3/B		Possible	0.27 mm
A2		Impossible	
ICC profile		Media type of the printer driver	
Photo Black	Matte Black	Photo Paper	Premium Semigloss Photo Paper
Pro9900_7900 PremiumSemiglossPhoto Paper.icc	—		

Premium Luster Photo Paper			
Size		Borderless	Thickness
Super A3/B		Possible	0.27 mm
A2		Impossible	
ICC profile		Media type of the printer driver	
Photo Black	Matte Black	Photo Paper	Premium Luster Photo Paper
Pro9900_7900 PremiumLusterPhotoPaper. icc	—		

## Paper Information

Archival Matte Paper/Enhanced Matte Paper			
Size		Borderless	Thickness
Super A3/B		Possible	0.26 mm
A2		Impossible	
ICC profile		Media type of the printer driver	
Photo Black	Matte Black	Matte Paper	Archival Matte Paper Enhanced Matte Paper
Pro9900_7900 ArchivalMattePaper_PK.icc	Pro9900_7900 ArchivalMattePaper_MK.icc		

Singleweight Matte Paper			
Size		Borderless	Thickness
Super A3/B		Possible	0.14 mm
A2		Impossible	
ICC profile		Media type of the printer driver	
Photo Black	Matte Black	Matte Paper	Singleweight Matte Paper
—	Pro9900_7900 SingleweightMattePaper.icc		

Photo Quality Inkjet Paper			
Size		Borderless	Thickness
Super A3		Possible	0.12 mm
ICC profile		Media type of the printer driver	
Photo Black	Matte Black	Matte Paper	Photo Quality Ink Jet Paper
—	Pro9900_7900 PhotoQualityInkJetPaper.icc		

Epson Proofing Paper White Semimatte			
Size		Borderless	Thickness
Super A3/B		Possible	0.25 mm
ICC profile		Media type of the printer driver	
Photo Black	Matte Black	Proofing Paper	Epson Proofing Paper White Semimatte
Pro9900_7900 EpsonProofingPaperWhite Semimatte.icc	—		



## Paper Information

Watercolor Paper - Radiant White			
Size		Borderless	Thickness
Super A3/B		Possible	0.29 mm
ICC profile		Media type of the printer driver	
Photo Black	Matte Black	Fine Art Paper	Watercolor Paper - Radiant White
Pro9900_7900 WatercolorPaper-Radiant White_PK.icc	Pro9900_7900 WatercolorPaper-Radiant White_MK.icc		

UltraSmooth Fine Art Paper			
Size		Borderless	Thickness
Super A3		Possible	0.46 mm
A2		Impossible	
ICC profile		Media type of the printer driver	
Photo Black	Matte Black	Fine Art Paper	UltraSmooth Fine Art Paper
Pro9900_7900 UltraSmoothFineArtPaper_ PK.icc	Pro9900_7900 UltraSmoothFineArtPaper_ MK.icc		

Velvet Fine Art Paper			
Size		Borderless	Thickness
Super A3/B		Possible	0.48 mm
A2		Impossible	
ICC profile		Media type of the printer driver	
Photo Black	Matte Black	Fine Art Paper	Velvet Fine Art Paper
Pro9900_7900 VelvetFineArtPaper_PK.icc	Pro9900_7900 VelvetFineArtPaper_MK.icc		

Textured Fine Art Paper			
Size		Borderless	Thickness
24" × 30"		Possible	0.67 mm
36" × 44"			
ICC profile		Media type of the printer driver	
Photo Black	Matte Black	Fine Art Paper	Textured Fine Art Paper
Pro9900_7900 TexturedFineArtPaper_PK. icc	Pro9900_7900 TexturedFineArtPaper_MK. icc		

## Paper Information

---

Enhanced Matte Posterboard			
Size		Borderless	Thickness
24" × 30"		Possible	1.30 mm
30" × 40"			
ICC profile		Media type of the printer driver	
Photo Black	Matte Black	Others	Enhanced Matte Poster Board
Pro9900_7900 EnhancedMattePoster Board_PK.icc	Pro9900_7900 EnhancedMattePoster Board_MK.icc		

---

## Where To Get Help

---

### Technical Support Web Site

Epson's Technical Support Web Site provides help with problems that cannot be solved using the troubleshooting information in your product documentation. If you have a Web browser and can connect to the Internet, access the site at:

<http://support.epson.net/>

If you need the latest drivers, FAQs, manuals, or other downloadables, access the site at:

<http://www.epson.com>

Then, select the support section of your local Epson Web site.

## Contacting Customer Support

---

### Before Contacting Epson

If your Epson product is not operating properly and you cannot solve the problem using the troubleshooting information in your product documentation, contact customer support services for assistance. If customer support for your area is not listed below, contact the dealer where you purchased your product.

Customer support will be able to help you much more quickly if you give them the following information:

- Product serial number  
(The serial number label is usually on the back of the product.)
- Product model
- Product software version  
(Click **About**, **Version Info**, or similar button in the product software.)
- Brand and model of your computer
- Your computer operating system name and version
- Names and versions of the software applications you normally use with your product

---

## Where To Get Help

---

---

### Help for Users in North America

Epson provides the technical support services listed below.

#### Internet Support

Visit Epson's support website at <http://epson.com/support> and select your product for solutions to common problems. You can download drivers and documentation, get FAQs and troubleshooting advice, or e-mail Epson with your questions.

#### Speak to a Support Representative

Dial: (562) 276-1300 (U.S.), or (905) 709-9475 (Canada), 6 am to 6 pm, Pacific Time, Monday through Friday. Days and hours of support are subject to change without notice. Toll or long distance charges may apply.

Before you call Epson for support, please have the following information ready:

- Product name
- Product serial number
- Proof of purchase (such as a store receipt) and date of purchase
- Computer configuration
- Description of the problem

**Note:**

*For help using any other software on your system, see the documentation for that software for technical support information.*

### Purchase Supplies and Accessories

You can purchase genuine Epson ink cartridges, ribbon cartridges, paper, and accessories from an Epson authorized reseller. To find the nearest reseller, call 800-GO-EPSON (800-463-7766). Or you can purchase online at <http://www.epsonstore.com> (U.S. sales) or <http://www.epson.ca> (Canadian sales).

---

### Help for Users in Europe

Check your **Pan-European Warranty Document** for information on how to contact EPSON Customer support.

---

### Help for Users in Australia

Epson Australia wishes to provide you with a high level of customer service. In addition to your product documentation, we provide the following sources for obtaining information:

#### Your Dealer

Don't forget that your dealer can often help identify and resolve problems. The dealer should always be the first call for advise on problems; they can often solve problems quickly and easily as well as give advise on the next step to take.

#### Internet URL

<http://www.epson.com.au>

Access the Epson Australia World Wide Web pages. Worth taking your modem here for the occasional surf! The site provides a download area for drivers, Epson contact points, new product information and technical support (e-mail).

---

## Where To Get Help

---

### Epson Helpdesk

Epson Helpdesk is provided as a final backup to make sure our clients have access to advice. Operators on the Helpdesk can aid you in installing, configuring and operating your Epson product. Our Pre-sales Helpdesk staff can provide literature on new Epson products and advise where the nearest dealer or service agent is located. Many types of queries are answered here.

The Helpdesk numbers are:

Phone: 1300 361 054  
 Fax: (02) 8899 3789

We encourage you to have all the relevant information on hand when you ring. The more information you prepare, the faster we can help solve the problem. This information includes your Epson product documentation, type of computer, operating system, application programs, and any information you feel is required.

---

### Help for Users in Singapore

Sources of information, support, and services available from Epson Singapore are:

#### World Wide Web (<http://www.epson.com.sg>)

Information on product specifications, drivers for download, Frequently Asked Questions (FAQ), Sales Enquiries, and Technical Support via e-mail are available.

#### Epson HelpDesk (Phone: (65) 6586 3111)

Our HelpDesk team can help you with the following over the phone:

- Sales enquiries and product information
- Product usage questions or problems
- Enquiries on repair service and warranty

---

### Help for Users in Thailand

Contacts for information, support, and services are:

#### World Wide Web (<http://www.epson.co.th>)

Information on product specifications, drivers for download, Frequently Asked Questions (FAQ), and e-mail are available.

#### Epson Hotline (Phone: (66)2685-9899)

Our Hotline team can help you with the following over the phone:

- Sales enquiries and product information
- Product usage questions or problems
- Enquiries on repair service and warranty

---

### Help for Users in Vietnam

Contacts for information, support, and services are:

Epson Hotline (Phone): 84-8-823-9239

Service Center: 80 Truong Dinh Street,  
 District 1, Hochiminh City  
 Vietnam

## Where To Get Help

---

### Help for Users in Indonesia

Contacts for information, support, and services are:

#### World Wide Web (<http://www.epson.co.id>)

- Information on product specifications, drivers for download
- Frequently Asked Questions (FAQ), Sales Enquiries, questions through e-mail

#### Epson Hotline

- Sales enquiries and product information
- Technical support

Phone (62) 21-572 4350

Fax (62) 21-572 4357

#### Epson Service Center

Jakarta Mangga Dua Mall 3rd floor No 3A/B  
Jl. Arteri Mangga Dua,  
Jakarta  
Phone/Fax: (62) 21-62301104

Bandung Lippo Center 8th floor  
Jl. Gatot Subroto No.2  
Bandung  
Phone/Fax: (62) 22-7303766

Surabaya Hitech Mall It IIB No. 12  
Jl. Kusuma Bangsa 116 - 118  
Surabaya  
Phone: (62) 31-5355035  
Fax: (62)31-5477837

Yogyakarta Hotel Natour Garuda  
Jl. Malioboro No. 60  
Yogyakarta  
Phone: (62) 274-565478

Medan Wisma HSBC 4th floor  
Jl. Diponegoro No. 11  
Medan  
Phone/Fax: (62) 61-4516173

Makassar MTC Karebosi Lt. III Kav. P7-8  
Jl. Ahmad Yani No.49  
Makassar  
Phone: (62)411-350147/411-350148

### Help for Users in Hong Kong

To obtain technical support as well as other after-sales services, users are welcome to contact Epson Hong Kong Limited.

#### Internet Home Page

Epson Hong Kong has established a local home page in both Chinese and English on the Internet to provide users with the following information:

- Product information
- Answers to Frequently Asked Questions (FAQs)
- Latest versions of Epson product drivers

Users can access our World Wide Web home page at:

<http://www.epson.com.hk>

#### Technical Support Hotline

You can also contact our technical staff at the following telephone and fax numbers:

Phone: (852) 2827-8911

Fax: (852) 2827-4383

## Where To Get Help

---

### Help for Users in Malaysia

Contacts for information, support, and services are:

#### World Wide Web (<http://www.epson.com.my>)

- Information on product specifications, drivers for download
- Frequently Asked Questions (FAQ), Sales Enquiries, questions through e-mail

#### Epson Trading (M) Sdn. Bhd.

Head Office.

Phone: 603-56288288

Fax: 603-56288388/399

#### *Epson Helpdesk*

- Sales enquiries and product information (Infoline)

Phone: 603-56288222

- Enquiries on repair services & warranty, product usage and technical support (Techline)

Phone: 603-56288333

### Help for Users in India

Contacts for information, support, and services are:

#### World Wide Web (<http://www.epson.co.in>)

Information on product specifications, drivers for download, and products enquiry are available.

#### Epson India Head Office - Bangalore

Phone: 080-30515000

Fax: 30515005

#### Epson India Regional Offices:

Location	Telephone number	Fax number
Mumbai	022-28261515 /16/17	022-28257287
Delhi	011-30615000	011-30615005
Chennai	044-30277500	044-30277575
Kolkata	033-22831589 / 90	033-22831591
Hyderabad	040-66331738/ 39	040-66328633
Cochin	0484-2357950	0484-2357950
Coimbatore	0422-2380002	NA
Pune	020-30286000 /30286001 /30286002	020-30286000
Ahmedabad	079-26407176 / 77	079-26407347

#### Helpline

For Service, Product info or to order a cartridge - 18004250011 (9AM - 9PM) - This is a Toll-free number.

For Service (CDMA & Mobile Users) - 3900 1600 (9AM - 6PM) Prefix local STD code

---

## Help for Users in the Philippines

To obtain technical support as well as other after sales services, users are welcome to contact the Epson Philippines Corporation at the telephone and fax numbers and e-mail address below:

Trunk Line: (63-2) 706 2609

Fax: (63-2) 706 2665

Helpdesk  
Direct Line: (63-2) 706 2625

E-mail: [epchelpdesk@epc.epson.com.ph](mailto:epchelpdesk@epc.epson.com.ph)

**World Wide Web** (<http://www.epson.com.ph>)

Information on product specifications, drivers for download, Frequently Asked Questions (FAQ), and E-mail Enquiries are available.

**Toll-Free No. 1800-1069-EPSON(37766)**

Our Hotline team can help you with the following over the phone:

- Sales enquiries and product information
- Product usage questions or problems
- Enquiries on repair service and warranty



# Product Information

## System Requirements for the Printer Driver

Your computer should meet the following system requirements to use the printer driver:

### System requirements

#### Windows

<b>Operating system</b>	Windows Vista x64, Windows Vista, Windows XP x64, Windows XP, Windows 2000
<b>CPU</b>	Pentium 4 3 GHz or higher processor
<b>Memory</b>	1 GB RAM or more
<b>Hard disk space</b>	32 GB or more free hard disk space
<b>Interface</b>	USB2.0 High Speed Ethernet 10BASE-T, 100BASE-TX
<b>Display</b>	SVGA (800 x 600) or higher resolution

#### Note:

- ❑ For Windows 2000, you must log in as a user with administrator rights (a user belonging to the Administrators group).
- ❑ For Windows XP and Windows Vista, you must log in as a user with an Administrator account. You cannot install the printer driver with a limited account. When you install the printer software in Windows Vista, the password may be required. If you are asked for the password, enter it and continue the operation.

#### Mac OS X

<b>Operating system</b>	PowerPC-based Macintosh computers running Mac OS X 10.3.9 or later Intel-based Macintosh computers with Rosetta
<b>CPU</b>	PowerPC G5 2GHz or higher processor
<b>Memory</b>	1 GB or more available memory
<b>Hard disk space</b>	32 GB or more free disk space

### Connection requirements

The connection requirements differ depending on the connection you use. See the Epson Web site for the latest supported operating system.

#### USB connection

##### Windows

The following conditions must be met:

- ❑ A computer that Windows Vista, Windows XP, or Windows 2000 is pre-installed, or Windows 2000, Windows Me, or Windows 98 is pre-installed and then upgraded to Windows Vista, Windows XP, or Windows 2000.
- ❑ A computer with a USB port that is guaranteed by the computer manufacturer. (Ask the computer manufacturer if necessary.)

##### Mac OS X

An operating system and the computer with a USB port that is guaranteed by Apple Inc.

#### Network connection

See the *Network Guide* for detailed information.

## Product Information

# Printer Specifications

## Printing

<b>Printing method</b>	On-demand ink jet
<b>Nozzle configuration</b>	Black: 360 nozzles × 3 (Photo Black / Matte Black, Light Black, Light Light Black)
	Color: 360 nozzles × 7 (Cyan, Vivid Magenta, Light Cyan, Vivid Light Magenta, Yellow, Orange, Green)

<b>Character mode</b>	Character Pitch	Printing Column
	10 cpi*	437 (Epson Stylus Pro 9900/9910) 237 (Epson Stylus Pro 7900/7910)

\* characters per inch

<b>Raster graphic mode</b>	Horizontal resolution	Printable width	Available dots
<b>(Epson Stylus Pro 9900/9910)</b>	360 dpi*	1125.6 mm (44.31")	15,953
	720 dpi	1125.6 mm (44.31")	31,906
	1440 dpi	1125.6 mm (44.31")	63,813
	2880 dpi	1125.6 mm (44.31")	127,627
	<b>(Epson Stylus Pro 7900/7910)</b>	360 dpi*	617.6 mm (24.31")
720 dpi		617.6 mm (24.31")	17,506
1440 dpi		617.6 mm (24.31")	35,013
2880 dpi		617.6 mm (24.31")	70,027

\* dots per inch

<b>Resolution</b>	Maximum 2880 × 1440 dpi
<b>Print direction</b>	Bidirectional
<b>Control code</b>	ESC/P2, ESC/P3
<b>RAM</b>	256 MB for Main 65 MB for Network
<b>Character tables</b>	PC 437 (US, Standard Europe)
<b>Character sets</b>	EPSON Courier 10 cpi

<b>Paper feed method</b>	Friction
<b>Paper path</b>	Roll paper Cut sheet (manual insertion)
<b>Dimensions</b>	<b>Epson Stylus Pro 9900/9910:</b> Width: 1864 mm Depth: 667 mm Height: 1218 mm <b>Epson Stylus Pro 7900/7910:</b> Width: 1356 mm Depth: 667 mm Height: 1218 mm
<b>Weight</b> (Total of printer, stand, and paper basket)	<b>Epson Stylus Pro 9900/9910:</b> Approx. 135.1 kg without the ink cartridges <b>Epson Stylus Pro 7900/7910:</b> Approx. 100.9 kg without the ink cartridges

## Product Information

## Electrical

<b>Rated voltage</b>	AC 100-240 V
<b>Input voltage range</b>	AC 90 to 264 V
<b>Rated frequency range</b>	50 to 60 Hz
<b>Input frequency range</b>	49.5 to 60.5 Hz
<b>Rated current</b>	<b>Epson Stylus Pro 9900/9910:</b> 1.0 to 0.5 A <b>Epson Stylus Pro 7900/7910:</b> 1.0 to 0.5 A
<b>Power consumption</b>	<b>Epson Stylus Pro 9900/9910:</b> Approx. 80 W Approx. 16 W in Low-power mode Approx. 1 W or below in Power off mode <b>Epson Stylus Pro 7900/7910:</b> Approx. 70 W Approx. 16 W in Low-power mode Approx. 1 W or below in Power off mode

## Ink cartridges

<b>Colors</b>	Photo Black	
	Matte Black	
	Light Black	
	Light Light Black	
	Cyan	
	Vivid Magenta	
	Orange	
	Green	
	Yellow	
	Light Cyan	
Vivid Light Magenta		
<b>Cartridge life</b>	2 years from production date if unopened.	
	Within 6 months after opening package.	
<b>Temperature</b>	Storage (uninstalled)	-20 to 40°C (-4 to 104°F)
		1 month at 40°C (104°F)
	Storage (installed)	-20 to 40°C (-4 to 104°F)
		1 month at 40°C (104°F)
<b>Capacity</b>	700 ml/350 ml	
<b>Dimensions</b>	700 ml: (W) 40 mm × (D) 320 mm × (H) 107 mm 350 ml: (W) 40 mm × (D) 240 mm × (H) 107 mm	

Product Information

**Note:**

- ❑ *The ink cartridges packaged with your printer are partly used during initial setup. In order to produce high-quality prints, the print head in your printer will be fully charged with ink. This one-off process consumes a quantity of ink and therefore these cartridges print fewer pages compared to subsequent ink cartridges.*
- ❑ *Actual ink consumption may vary depending on the images that you are printing, the paper type that you are using, the frequency of your printings and environmental conditions such as temperature.*
- ❑ *To ensure you receive premium print quality and to help protect your print head, a variable ink safety reserve remains in the cartridge when your printer indicates to replace the cartridge.*
- ❑ *Ink is consumed during the following operations: print head cleaning and ink charging when an ink cartridge is installed.*
- ❑ *To maintain print quality, we recommend printing a few pages on a regular basis.*

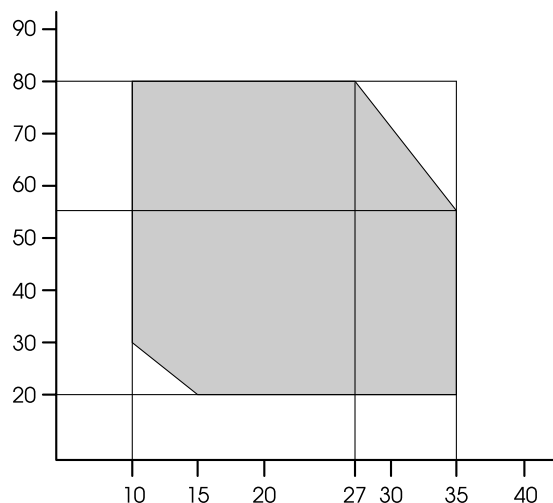
**Environmental**

<b>Temperature</b>	Operation	10 to 35°C (50 to 95°F)
	Print Quality Guarantee	15 to 25°C (59 to 77°F)
	Storage	-20 to 60°C (-4 to 156°F)
<b>Humidity</b>	Operation	20 to 80% RH*
	Print Quality Guarantee	40 to 60% RH*
	Storage	5 to 85% RH**

\* Without condensation

\*\* Stored in shipping container

Operational conditions (temperature and humidity):



## Product Information

### Standards and Approvals

<b>Safety</b>	UL 60950-1	
	CSA C22.2 No.60950-1	
	Low Voltage Directive 2006/95/EC	EN 60950-1
<b>EMC</b>	FCC part 15 subpart B Class B	
	CAN/CSA-CEI/IEC CISPR 22 Class B	
	AS/NZS CISPR 22 Class B	
	EMC Directive 2004/108/EC	EN 55022 Class B
		EN 55024
EN 61000-3-2		
EN 61000-3-3		

### Interface

Your printer is equipped with a USB interface and an Ethernet interface.

#### USB interface

The printer's built-in USB interface is based on the standards specified in the Universal Serial Bus Specifications Revision 2.0 and the Universal Serial Bus Device Class Definition for Printing Devices Version 1.1. This interface has the following characteristics.

<b>Standard</b>	Based on Universal Serial Bus Specifications Revision 2.0, Universal Serial Bus Device Class Definition for Printing Devices Version 1.1
<b>Bit rate</b>	480 Mbps (High Speed Mode) 12 Mbps (Full Speed Device)
<b>Data encoding</b>	NRZI
<b>Adaptable connector</b>	USB Series B

**Note:**

*Only computer equipped with a USB connector and running Windows Vista, XP x 64, XP, 2000, or Mac OS X.10.x support the USB interface.*

#### Ethernet interface

The printer has a built-in Ethernet interface. Use a 10BASE-T, 100BASE-TX STP (shielded twisted-pair) cable via the RJ-45 connector to connect to a network.

---

## Index

**A**

AC inlet, 11  
 Adapter holder, 11  
 Adjust paper margin, 136  
 Alignment, 27  
 Automatic maintenance function, 81  
 Auto nozzle check, 22

**B**

Banner printing, 154  
 BI-D 2-COLOR, 83  
 Bi-D ALL, 83  
 Black-and-white photo printing, 132  
 Bonjour, 27  
 Borderless printing, 136  
 Buttons, 12

**C**

Capping, 81  
 Cleaning, 23, 75  
 Cleaning outside of the printer, 84  
 Cleaning the printer, 84  
 Clock setting, 23  
 ColorSync, 167  
 Consumable, 62  
 Contacting Epson, 183  
 Control panel, 11, 12  
 Custom, 29, 141  
 Custom paper, 23, 25  
 Custom paper menu, 26  
 Cutter adjustment, 23  
 Cutter replacement, 23

**D**

Default panel, 29  
 Details of Menu mode, 21  
 Display, 14  
 Driver ICM, 165  
 Drying time, 26

**E**

EDM (or myEpsonPrinter) status, 24  
 Enlarge size printing, 141  
 EPSON Printer Utility3, 121  
 EPSON StatusMonitor (Mac OS X), 124  
 EPSON Status Monitor 3 (Windows), 116

**F**

Fit to Page, 141  
 Front cover, 11

**H**

Head cleaning, 78  
 Help  
   Epson, 183  
 Help (Mac OS X), 123  
 Help (Windows), 114  
 Host ICM, 167  
 How to print, 54

**I**

Initialize setting, 22  
 Init network setting, 27  
 Ink cartridge status icon, 15  
 Ink cover, 11  
 Ink level, 24  
 IP,SM,DG setting, 27  
 IP address setting, 27

**J**

Job history, 24  
 Job information, 23

**L**

Language, 29

**M**

Maintenance menu, 23  
 Maintenance mode, 29  
 Maintenance tank, 11, 24  
 Maintenance tank status icon, 15  
 Manual box, 11  
 Menu setting, 16  
 Messages, 14

**N**

Network interface connector, 11  
 Network setup, 27  
 Network status sheet, 23  
 Nozzle check, 23, 76

**O**

Option interface connector, 11

**P**

Page line, 21  
 Pages per sheet printing, 145  
 Paper basket, 11  
 Paper feed adjust, 26  
 Paper guides, 11  
 Paper jam, 108  
 Paper size check, 21

## Index

---

Paper skew check, 22  
 Paper suction, 26  
 Paper thickness, 27  
 Paper type, 25, 26  
 PhotoEnhance (Windows), 128  
 Platen Gap, 21, 26  
 Poster printing with margins, 146  
 Power cleaning, 80  
 Printer driver, 189  
 Printer Status menu, 24  
 Printer utilities (Mac OS X), 123  
 Printer utilities (Windows), 115  
 Print head alignment, 27, 82  
 Printing on the custom paper, 151  
 Print nozzle pattern, 22  
 Problems, solving  
   contacting Epson, 183

### R

Reduce size printing, 141  
 Refresh margin, 22  
 Remaining paper setup, 25  
 Remove skew, 26  
 Replacing ink cartridges, 69  
 Replacing maintenance tank, 70  
 Roll length alert, 25  
 Roll paper cover, 11  
 Roll paper length, 25  
 Roll paper margin, 21  
 Roll paper remaining, 25  
 Roll paper tension, 29

### S

Self-cleaning function, 81  
 Service, 183  
 Set roll paper tension, 26  
 Specifications  
   electrical, 191  
   interface, 193  
   Standards and Approvals, 193  
 SpectroProofer, 28  
 SS Cleaning, 29  
 Status sheet, 23  
 Supported media type for borderless printing, 136  
 System requirements, 189

### T

Take up reel, 28  
 Technical support, 183  
 Temperature units, 29  
 Test Print menu, 23  
 Thickness pattern, 26  
 Total prints, 24

### U

UNI-D, 83  
 Uninstall (Mac OS X), 125  
 Uninstall (Windows), 118  
 Unit, 29  
 USB cable, 189

USB interface connector, 11  
 Using roll paper, 31

### V

Version, 24