

EPSON
EXCEED YOUR VISION

EPSON STYLUS™ **PRO 4450**
EPSON STYLUS™ **PRO 4880**
EPSON STYLUS™ **PRO 4880C**

User's Guide

Copyrights and Trademarks

No part of this publication may be reproduced, stored in a retrieval system, or transmitted in any form or by any means, electronic, mechanical, photocopying, recording, or otherwise, without the prior written permission of Seiko Epson Corporation. The information contained herein is designed only for use with this Epson printer. Epson is not responsible for any use of this information as applied to other printers.

Neither Seiko Epson Corporation nor its affiliates shall be liable to the purchaser of this product or third parties for damages, losses, costs, or expenses incurred by the purchaser or third parties as a result of accident, misuse, or abuse of this product or unauthorized modifications, repairs, or alterations to this product, or (excluding the U.S.) failure to strictly comply with Seiko Epson Corporation's operating and maintenance instructions.

Seiko Epson Corporation shall not be liable for any damages or problems arising from the use of any options or any consumable products other than those designated as Original Epson Products or Epson Approved Products by Seiko Epson Corporation.

Seiko Epson Corporation shall not be held liable for any damage resulting from electromagnetic interference that occurs from the use of any interface cables other than those designated as Epson Approved Products by Seiko Epson Corporation.

EPSON® is a registered trademark, and EPSON STYLUS™ and Exceed Your Vision are trademarks of Seiko Epson Corporation.

Microsoft® and Windows® are registered trademarks of Microsoft Corporation.

Apple® and Macintosh® are registered trademarks of Apple Inc.

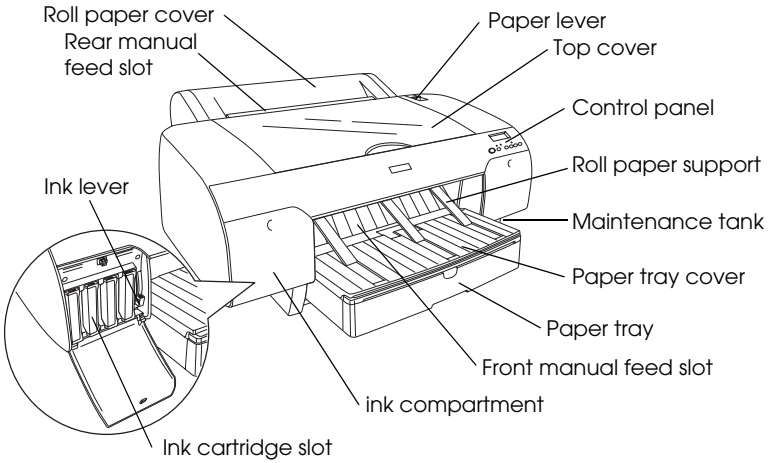
Adobe®, Photoshop® and Adobe® RGB are registered trade marks of Adobe Systems Incorporated.

***General Notice:** Other product names used herein are for identification purposes only and may be trademarks of their respective owners. Epson disclaims any and all rights in those marks.*

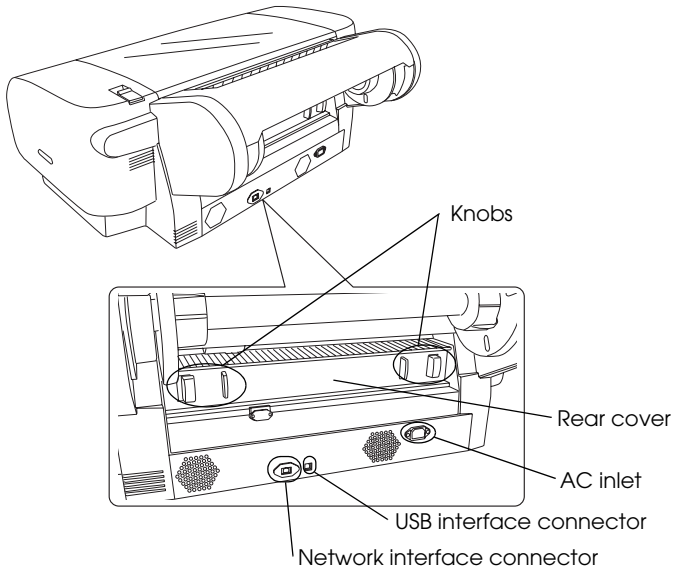
© 2013 Seiko Epson Corporation. All rights reserved.

Printer Parts

Front view



Rear view



Contents

Copyrights and Trademarks

Safety Instructions

Important Safety Instructions	9
Warning, Cautions, and Notes	9
When choosing a place for this product	9
When setting up this product	10
When using this product	12
When handling the ink cartridges	12
When transporting this product	14

Chapter 1 Using the Printer Software (Windows)

Printer Software Introduction	15
Printer driver	15
EPSON Status Monitor 3	17
EPSON LFP Remote Panel	17
Accessing the Printer Driver	18
From Windows applications	18
From the Printer icon	21
Getting Information Through Online Help	23
Basic Settings	25
Setting the printer driver	25
Checking the printer status	26
Canceling printing	27
When problem occurs during printing	30
Using the Printer Utilities	31
Using EPSON Status Monitor 3	33
Uninstalling the Printer Software	38
Uninstalling the printer driver	38
Uninstalling EPSON LFP Remote Panel	40

Chapter 2 *Using the Printer Software (Mac OS X)*

Printer Software Introduction	41
Printer driver	41
EPSON Printer Utility2	42
EPSON StatusMonitor	43
EPSON LFP Remote Panel	44
Accessing the Printer Driver	44
Accessing the Page Setup dialog	45
Accessing the Print dialog	46
Getting Information Through Online Help	47
Basic Settings	48
Setting the printer driver	48
Checking the printer status	49
Canceling printing	50
When problem occurs during printing	52
Using Printer Utilities	53
Accessing EPSON Printer Utility2	54
Using EPSON StatusMonitor	55
Uninstalling the Printer Software	57
Uninstalling the printer driver	57
Uninstalling EPSON LFP Remote Panel	61

Chapter 3 *Variety of Printings*

Using Color Management	62
Color management	63
Color adjustment by the printer driver	76
Black-and-White Photo Printing	82
Borderless Printing	86
Supported media type	88
Application settings	90
Printer driver settings	91
Roll paper cut for borderless printing	97
Enlarge or Reduce Size Printing	99
Fit to Page (Windows only)	101
Fit to Roll Paper Width (Windows only)	103
Custom	106
Pages Per Sheet Printing	108
For Windows	109

For Mac OS X	110
Poster Printing	111
Joining the sheets together along the guide	115
Printing on Custom Paper	121
For Windows	122
For Mac OS X	124
Banner Printing on Roll Paper	127
Application settings	128
Printer driver settings	128
Printing with Non-Epson Media	134
Customize the Items of the Printer Driver	135
Saving the printer driver settings	135
Menu arrangement	139
Exporting or Importing	142

Chapter 4 The Control Panel

Buttons, Lights, and Messages	145
Buttons	145
Lights	147
Combination of buttons	148
Messages	149
Menu Settings	150
When to use Menu mode	150
Menu list	151
Basic Menu setting procedure	157
Details of Menu mode	158
Checking the print head nozzles	173
Aligning the print head	175
Making the paper settings	183
Printing a status sheet	186
Setting the alert value of the paper	187
Maintenance Mode	188
Maintenance mode setting procedure	188
Maintenance mode list	189
Details of Maintenance mode items	190

Chapter 5 Paper Handling

Notes on Epson Special Media and Other Media	193
--	-----

Using Epson special media	193
Using paper other than Epson special media	194
Using Roll Paper	195
Attaching the roll paper to the spindle	195
Attaching the spacer to the spindle	197
Removing the roll paper from the spindle	198
Loading roll paper	199
Using the roll paper belt	203
Cutting the roll paper or printing page lines	203
Using Cut Sheet Media	206
Checking the paper path	206
Loading cut-sheet media	207

Chapter 6 Maintenance and Transportation

Replacing Ink Cartridges	226
Converting the Black Ink Cartridges	231
Updating the printer driver information	238
Replacing the Maintenance Tank	239
Replacing the Paper Cutter	240
Cleaning the Printer	245
If you have not used your printer for a long time	249
Transporting the Printer	250
Over a long distance	250
Over a short distance	252
Setting up the printer after transporting it	252

Chapter 7 Problem Solver

Troubleshooting	254
Printer stops printing unexpectedly	254
The printer does not turn on or stay on	262
The printer prints nothing	263
Printouts are not what you expected	265
Print Quality Could be Better	268
Color documents print in black only	272
Printing could be faster	272
Roll paper cannot be cut	273
Paper feed or paper jam problems occur frequently	274
Roll paper does not eject properly	275

Clearing paper jams	276
Contacting Customer Support	288
Paper Information	299
Roll paper.	301
Technical Support Web Site	313

Chapter 8 Product Information

Printer Specifications	314
Printing.	314
Printable area	316
Mechanical.	317
Electrical.	318
Environmental	318
Standards and Approvals	319
Paper.	320
Ink cartridges	322
System Requirements	324
To use your printer with Windows	324
To use your printer with Mac OS X	325
Interface Specifications	326
USB interface	326
Ethernet interface	326

Chapter 9 Options and Consumable Products

Options	327
Roll paper spindle	327
Borderless Print Spacer	327
Consumable Products	328
Paper cutter	328
Maintenance Tank	328
Ink cartridges	328
Epson Special Media	330

Glossary

Index

Safety Instructions

Important Safety Instructions

Read all of these instructions before using this product. Also be sure to follow all warnings and instructions marked on the printer.

Warning, Cautions, and Notes



Warnings

must be followed carefully to avoid bodily injury.



Cautions

must be observed to avoid damage to your equipment.

Notes

contain important information and useful tips on the operation of this printer.

When choosing a place for this product

- Place this product on a flat, stable surface that is larger than this product. This product will not operate properly if it is tilted or at an angle.
- Avoid places subject to rapid changes in temperature and humidity. Also keep it away from direct sunlight, strong light, or heat sources.
- Avoid places subject to shocks and vibrations.
- Keep this product away from dusty areas.

- ❑ Place this product near a wall outlet where the plug can be easily unplugged.
- ❑ If you use a stand, the stand has to support at least 50 kg (110.3 lb).

When setting up this product

- ❑ Do not block or cover the openings in this product's cabinet.
- ❑ Do not insert objects through the slots. Take care not to spill liquid on this product.
- ❑ This product's power cord is for use with this product only. Use with other equipment may result in fire or electric shock.
- ❑ Connect all equipment to properly grounded power outlets. Avoid using outlets on the same circuit as photocopiers or air control systems that regularly switch on and off.
- ❑ Avoid electrical outlets controlled by wall switches or automatic timers.
- ❑ Keep the entire computer system away from potential sources of electromagnetic interference, such as loudspeakers or the base units of cordless telephones.
- ❑ Use only the type of power source indicated on the product's label.
- ❑ Use only the power cord that comes with this product. Use of another cord may result in fire or electric shock.
- ❑ Do not use a damaged or frayed power cord.

- ❑ If you use an extension cord with this product, make sure the total ampere rating of the devices plugged into the extension cord does not exceed the cord's ampere rating. Also, make sure the total ampere rating of all devices plugged into the wall outlet does not exceed the wall outlet's ampere rating.
- ❑ Do not attempt to service this product yourself.
- ❑ Unplug this product and refer servicing to qualified service personnel under the following conditions:

The power cord or plug is damaged; liquid has entered the product; the product has been dropped or the cabinet damaged; the product does not operate normally or exhibits a distinct change in performance.

- ❑ If you plan to use the printer in Germany, observe the following:

To provide adequate short-circuit protection and over-current protection for this printer, the building installation must be protected by a 10 or 16 amp circuit breaker.

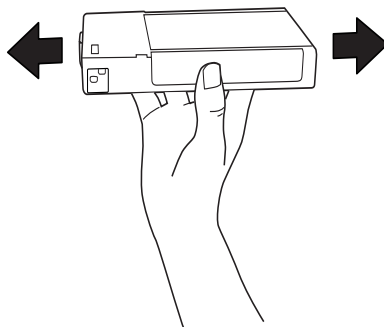
- ❑ If damage occurs to the plug, replace the cord set or consult a qualified electrician. If there are fuses in the plug, make sure you replace them with fuses of the correct size and rating.

When using this product

- ❑ Do not put your hand inside this product or touch the ink cartridges during printing.
- ❑ Do not move the print heads by hand; otherwise you may damage this product.
- ❑ Always turn the product off using the Power button on the control panel. When this button is pressed, the PAUSE light flashes briefly then goes off. Do not unplug the power cord or turn off the product until the PAUSE light stops flashing.

When handling the ink cartridges

- ❑ Keep ink cartridges out of the reach of children and do not drink.
- ❑ If ink gets on your skin, wash it off with soap and water. If it gets in your eyes, flush them immediately with water.
- ❑ Shake the ink cartridge well before installing it for best results.



Caution:

Do not shake cartridges (that have been installed previously) with too much force.

- ❑ Do not use an ink cartridge beyond the date printed on the cartridge carton.
- ❑ Use up the ink cartridge within six months of installation for best results.
- ❑ Do not dismantle the ink cartridges or try to refill them. This could damage the print head.
- ❑ Store ink cartridges in a cool, dark place.
- ❑ After bringing an ink cartridge inside from a cold storage site, allow it to warm up at room temperature for at least three hours before using it.
- ❑ Do not touch the green IC chip on the side of the cartridge. This may affect normal operation and printing.
- ❑ In this ink cartridge, the IC chip retains a variety of cartridge related-information, such as the amount of ink remaining, so that a cartridge may be removed and reinserted freely.
- ❑ If you remove an ink cartridge for later use, protect the ink supply area from dirt and dust, and store it in the same environment as this product. Note that there is a valve in the ink supply port, making covers or plugs unnecessary, but care is needed to prevent the ink from staining items that the cartridge touches. Do not touch the ink supply port or surrounding area.

When transporting this product

- ❑ Before transporting the printer, make sure the print heads are in the home (far right) position.

Printer Software Introduction

The printer software CD-ROM includes the following software. See the *Setup Guide* for installing the software, and see its online help for detailed information for each software.

- Printer driver
- EPSON Status Monitor 3
- EPSON LFP Remote Panel

Note:

The printer driver screens that appear in this manual are provided for EPSON Stylus Pro 4450 running on Windows XP. The screens of EPSON Stylus Pro 4880/4880C and EPSON Stylus Pro 4450 are almost the same, except as noted.

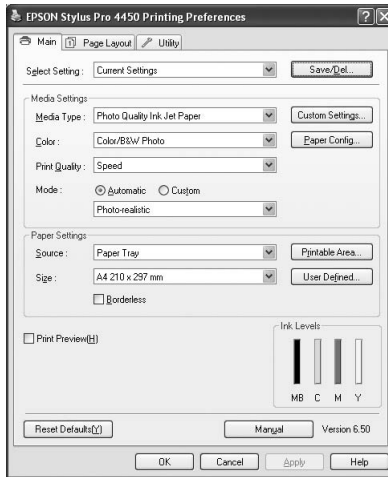
Printer driver

The printer driver lets you print documents from applications to the printer.

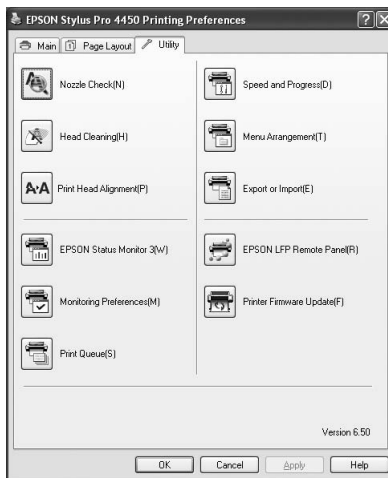
The following are the main functions of the printer driver:

- Sends the print data to the printer.

- ❑ Makes the printer settings, such as the media type, paper size. You can register these settings, and you can also easily import or export these registered settings.

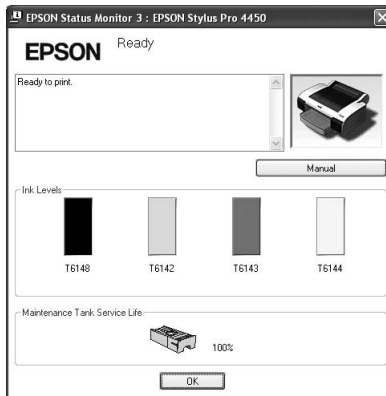


- ❑ Executes the printer maintenance functions and sets the operation of the printer driver in the Utility tab. You can also import or export printer settings.



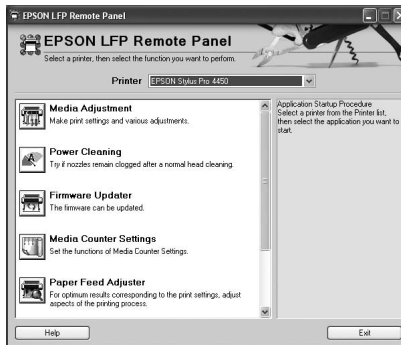
EPSON Status Monitor 3

This utility provides you with printer status information, such as the ink cartridge status, the free space of the maintenance tank, and it also checks for printer error. EPSON Status Monitor 3 is installed with the printer driver automatically.



EPSON LFP Remote Panel

EPSON LFP Remote Panel gives the user a broad range of control over the printer, to obtain better print quality in printing on various media.



Accessing the Printer Driver

You can access the printer driver in the following ways:

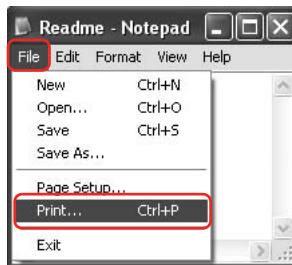
- ❑ From Windows applications
- ❑ From the Printer icon

From Windows applications

Access the printer driver from your application when you make the print settings.

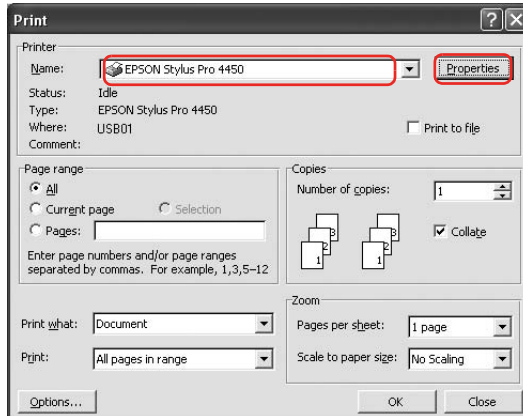
The following procedures may differ depending on the application you use.

1. From the File menu, select Print or Page Setup.

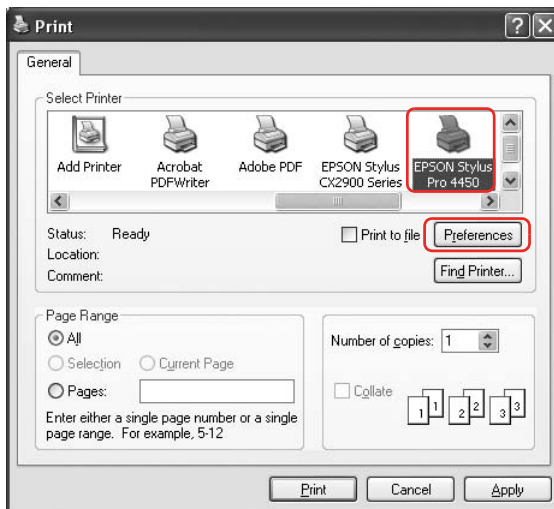


2. Make sure your printer is selected, and click Printer, Setup, Options, Properties, or Preferences.

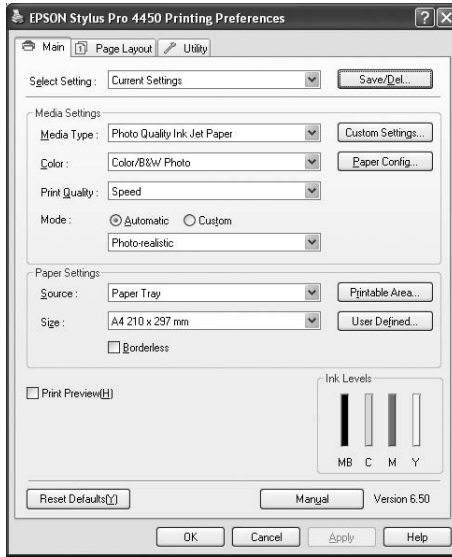
Example:



Example:



The printer driver window appears.



Make the settings as necessary, and then start printing.

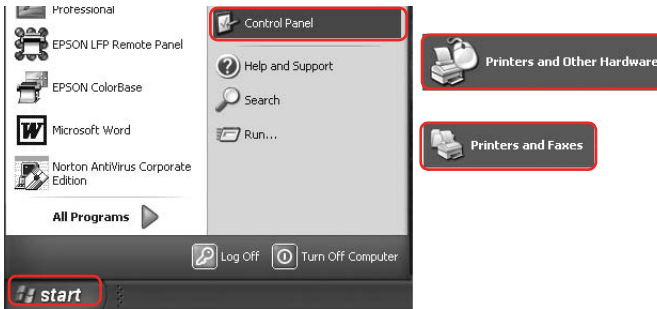
From the Printer icon

When you make common settings or perform printer maintenance, such as Nozzle Check, Head Cleaning, access the printer driver from the Printer icon.

1. Open the Printers and Faxes or Printers folder.

For Windows XP:

Click Start, click Control Panel, click Printers and Other Hardware, and then click Printers and Faxes.



Note:

If your Control Panel is in the Classic View, click Start, click Control Panel, and then click Printers and Faxes.

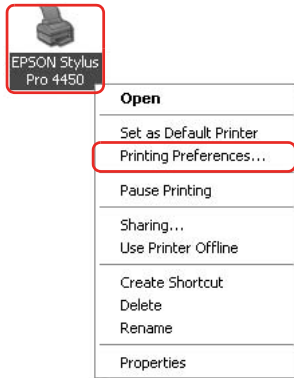
For Windows Vista:

Click , click Control Panel, click Hardware and Sound, and then click Printers.

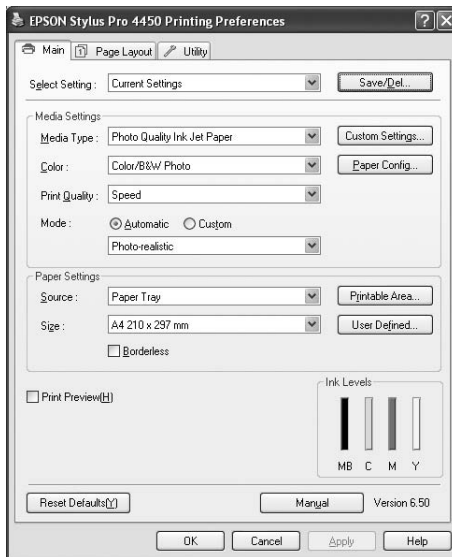
For Windows 2000:

Click Start, point to Settings, and then select Printers.

2. Right-click your printer icon, and click Printing Preferences.



The printer driver window appears.

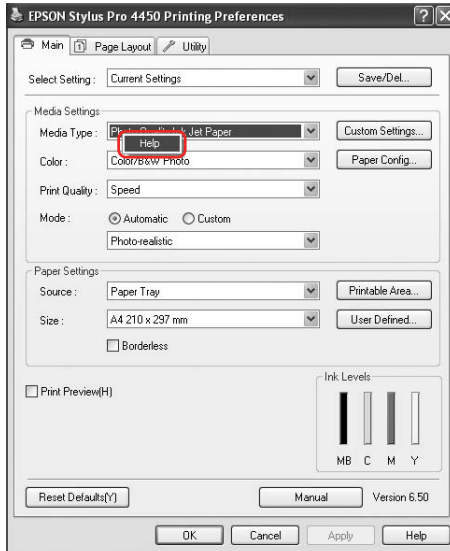



The settings you make here become the default settings of the printer driver.

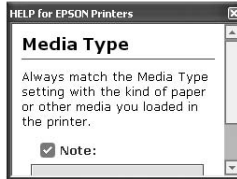
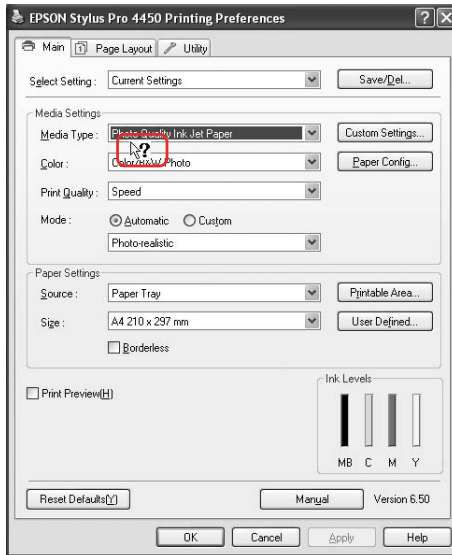
Getting Information Through Online Help

You can view a detailed explanation using the following ways.

- ❑ Right-click the item, and then click Help.



- ❑ For Windows XP/2000, click the  button on the top right of the printer driver window, and then click the item.

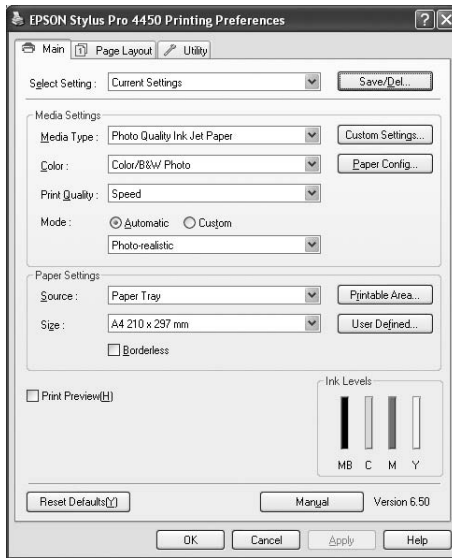


Basic Settings

This section describes how to print your data from an application using the Epson printer driver.

Setting the printer driver

First, make the print data using the application software. Before printing, open the printer driver window, and confirm the print settings such as the media type, paper size.

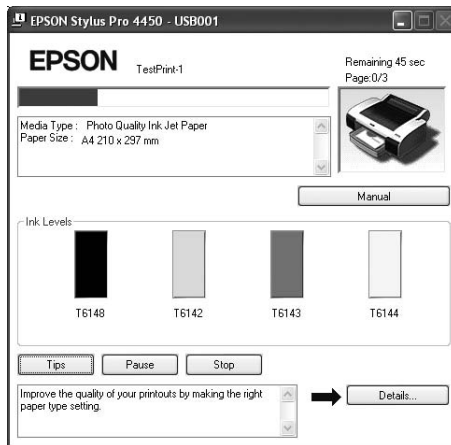


Checking the printer status

When you send a print job to the printer, you can monitor the printer status in the following windows.

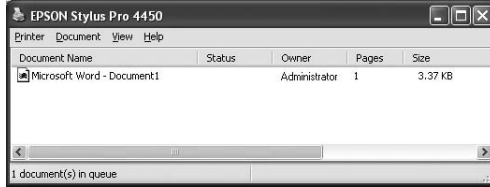
Progress Meter

The Progress Meter appears on your display when you start printing. It indicates the progress of the current print job and provides printer status information such as ink remaining and product number of the ink cartridges. Also, you can cancel a print job using Progress Meter.



Print queue window

You can check a list of all jobs waiting and its information, and also you can cancel print jobs. The print queue window appears when you double-click the printer icon on the task bar. This is a function of the Windows operating system.



Canceling printing

You can cancel a print job waiting from the computer. If the printing is already started, you need to cancel printing by the printer.

Canceling printing by the printer

Press and hold the Pause **||** button for 3 seconds to reset the printer.

Even when it is printing a job, the printer is reset. After resetting, it takes a while before the printer is in the ready state. The printer's paper operation differs depending on the icon displayed on the control panel.

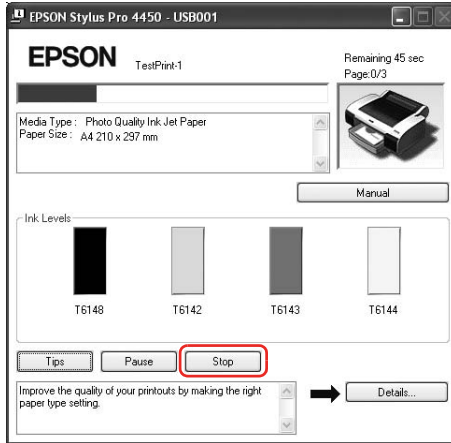
Note:

You cannot cancel a job waiting in the computer. To cancel a job waiting in the computer, see the next section "Canceling printing by the computer" on page 28.

Canceling printing by the computer

Canceling printing

Click Stop on the EPSON Progress Meter dialog box.



Note:

- ❑ *The Progress Meter shows the progress of the current print job. It disappears when the job has been sent to the printer.*
- ❑ *You cannot cancel a print job that has been sent to the printer. In this case, cancel the print job by the printer.*

Deleting a print job waiting

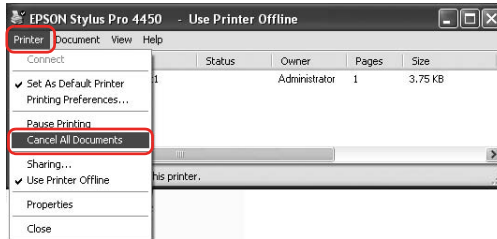
You can delete the jobs waiting stored in the computer.

1. Double-click the printer icon on the taskbar.



2. From the Printer menu, select Cancel all documents.

If you want to delete a specific job, select the job and select Cancel from the Document menu.



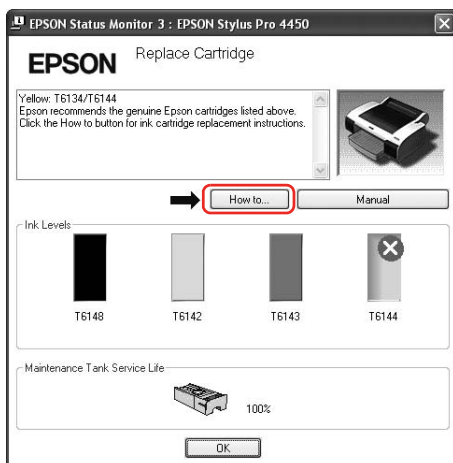
Note:

- The print queue windows shows the progress of each print job. It disappears when the job has been sent to the printer.
- You cannot cancel a print job that has been sent to the printer. In this case, cancel the print job by the printer.

When problem occurs during printing

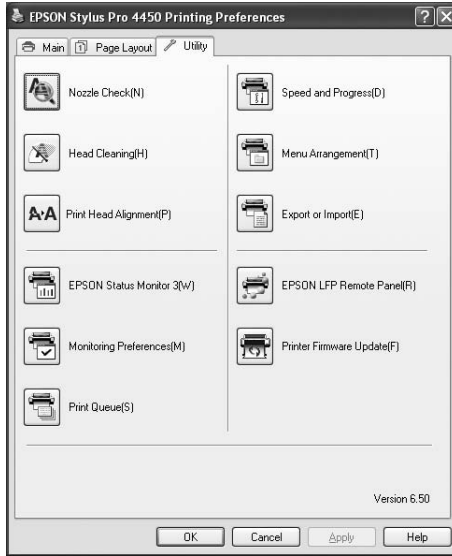
If a problem occurs during printing, an error message appears in the EPSON Status Monitor window.

Click **How to**, and EPSON Status Monitor will lead you step by step through a procedure to solve a problem.



Using the Printer Utilities

The Epson printer utilities let you check the current printer status and perform printer maintenance from your screen.



Nozzle Check

This utility checks the print head nozzles to see if they are clogged and need to be cleaned. Check the nozzles when you notice the print quality has declined and after cleaning to confirm that the print head nozzles have been cleaned. If the print head nozzles are clogged, perform head cleaning.

Head Cleaning

This utility cleans the color and black print heads. You may need to clean the print head if you notice the print quality has declined.

Print Head Alignment

This utility can be used to improve the print quality of your printed data. The alignment of the print head may need to be adjusted if vertical lines appear out of alignment or if white or black banding noise appear in your printed data. Use this utility to realign the print head.

EPSON Status Monitor 3

This utility provides you with printer status information, such as the ink cartridge status, the free space of the maintenance tank, and it also checks for printer error. See “Using EPSON Status Monitor 3” on page 33 for detailed information.

Monitoring Preferences

This function lets you specify the monitoring feature of EPSON Status Monitor 3. See “Using Monitoring Preferences” on page 35 for detailed information.

Print Queue

This function displays the job waiting list.

You can check the list of all jobs waiting and their information, and also cancel or restart print jobs.

Speed & Progress

You can make settings related to print speed and progress.

Menu Arrangement

You can arrange the Select Setting, Media Type, and Paper Size list items. Arrange the items as you prefer, or classify the items into groups. You can also hide the items you are not using.

Export or Import

You can export or import the printer driver settings. It is convenient to use this function when you want to make the same printer driver settings to multiple computers.

EPSON LFP Remote Panel

This utility lets you optimize your printer. You can start this utility only if it is installed. See the EPSON LFP Remote Panel online help for detailed information.

Printer Firmware Update

EPSON LFP Remote Panel is started and updates the printer firmware.

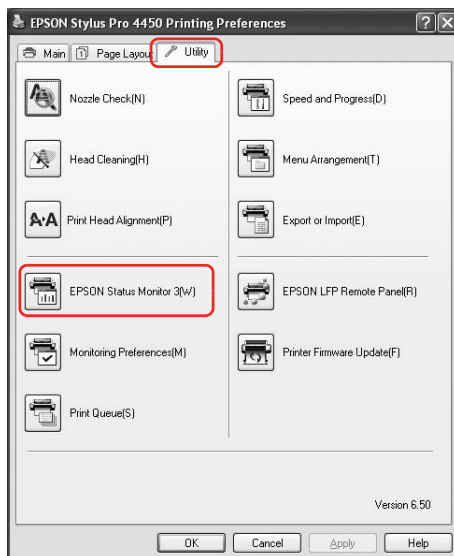
To use this function, you need to download the latest firmware from the Epson Web site beforehand.

Using EPSON Status Monitor 3

EPSON Status Monitor 3 provides you with detailed printer status information, a graphic display of the ink cartridge status and the free space of the maintenance tank, and status messages. To know the detailed status of the printer, open the printer detailed window. EPSON Status Monitor 3 starts to monitor the printer status when the printing begins, and if there are any problems, it shows an error message and its solutions. You can also access EPSON Status Monitor 3 from the printer driver or the shortcut icon by double-clicking the printer-shaped icon on the Windows taskbar to check the status of the printer.

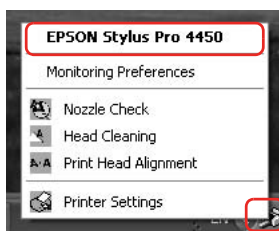
Accessing EPSON Status Monitor 3

Open the printer driver window, and click the Utility tab, and then click EPSON Status Monitor 3.



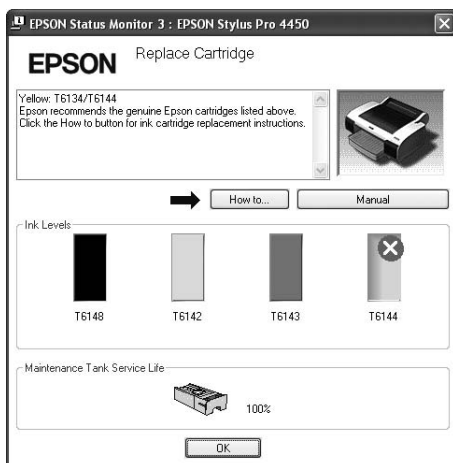
Note:

In the Monitoring Preferences dialog box, select the Shortcut Icon check box to display a shortcut icon on your Windows taskbar. Right-click the shortcut icon, and select the printer name to display the EPSON Status Monitor 3 dialog box. See “Viewing information in Monitoring Preferences” on page 37 for detailed information.



Viewing information in EPSON Status Monitor 3

EPSON Status Monitor 3 provides you with detailed printer status information, a graphic display of the ink cartridge status and the free space of the maintenance tank, and status messages. If a problem occurs during printing, an error message appears. Check the message and solve the problem accordingly.

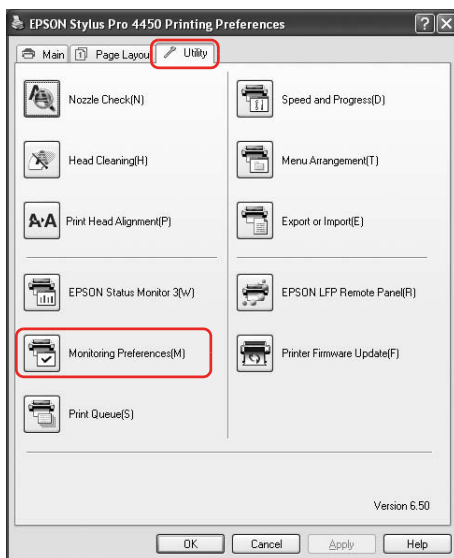


Using Monitoring Preferences

This function lets you specify the monitoring feature of EPSON Status Monitor 3.

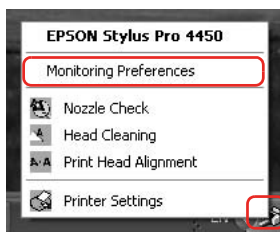
Accessing Monitoring Preferences

Open the printer driver window, click the Utility tab, and then click Monitoring Preferences.



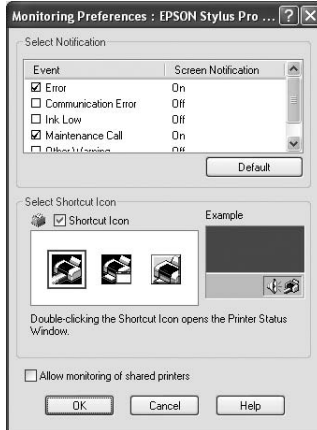
Note:

In the Monitoring Preferences dialog box, select the Shortcut Icon check box to display a shortcut icon on your Windows taskbar. Right-click the shortcut icon, and select Monitoring Preferences to open the Monitoring Preferences dialog box.



Viewing information in Monitoring Preferences

In the Monitoring Preferences dialog box, you can select error types for which you wish to receive notification, and you can make the shortcut icon setting and monitoring of shared printers setting.



Uninstalling the Printer Software

This section describes how to uninstall the printer software from your computer.

Note:

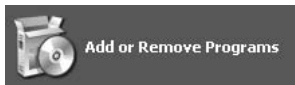
- ❑ *For Windows XP/Vista, you must log in as a user with an Administrator account. When you uninstall the printer software from Windows Vista, the password may be required. If you are asked for the password, enter it and continue the operation.*
- ❑ *For Windows 2000, you must log in as a user with administrator rights (a user belonging to the Administrators group).*

Uninstalling the printer driver

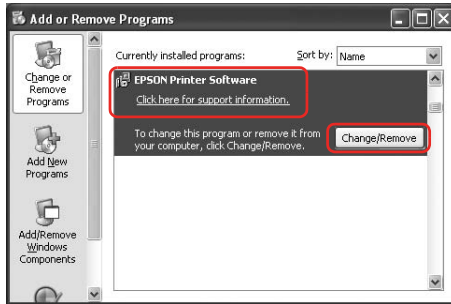
To uninstall the printer driver, follow the steps below.

1. Turn off the printer, and unplug the interface cable connected with the computer and printer.
2. Click Add or Remove Programs (or Add/Remove Programs) in the Control Panel.

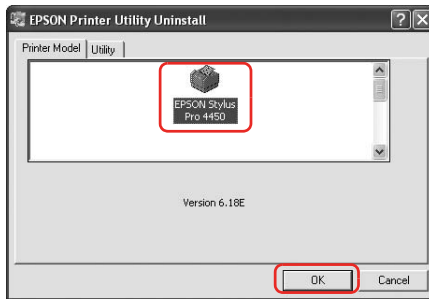
For Windows Vista, click Programs, and then Programs and Features in the Control Panel.



3. Select EPSON Printer Software, and then click Change/Remove (or Uninstall/Change).



4. Select the target printer icon, and then click OK.

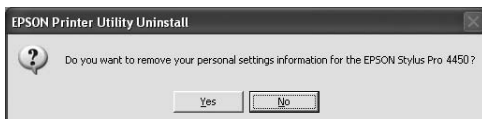


5. Follow the on-screen instructions to complete uninstallation.

When the confirmation message appears, click Yes.

Note:

When you delete the printer driver, the following message appears. In the personal settings information file, the settings you have made are saved. If you do not delete this file, you can use the settings you have registered when you reinstall the printer driver. Click No if you plan to reinstall the printer driver later, or click Yes to delete the file completely.



Restart the computer when you reinstall the printer driver.

Uninstalling EPSON LFP Remote Panel

EPSON LFP Remote Panel can be uninstalled from Add or Remove Programs (or Add/Remove Programs) in the Control Panel. For detailed information, see the EPSON LFP Remote Panel online help.

Printer Software Introduction

The printer software CD-ROM includes the following software. See the *Setup Guide* for installing the software and its online help for detailed information for each software.

- Printer driver
- EPSON Printer Utility2
- EPSON StatusMonitor
- EPSON LFP Remote Panel

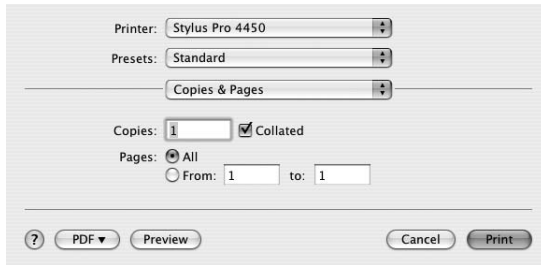
Printer driver

The printer driver lets you print documents from applications to the printer.

The following are main functions of the printer driver:

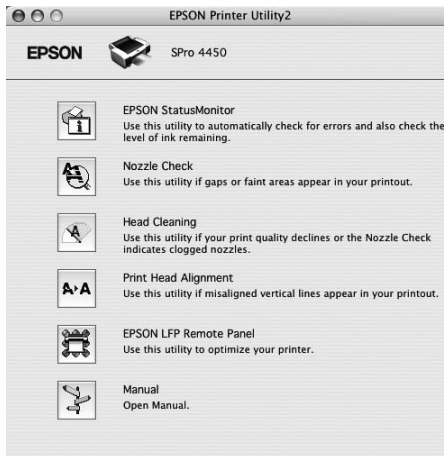
- Sends the print data to the printer.

- ❑ Makes the printer settings, such as the media type, paper size. You can register these settings, and you can also easily import or export these registered settings.



EPSON Printer Utility2

You can execute the printer maintenance functions, such as Nozzle Check, Head Cleaning. EPSON Printer Utility2 is installed with the printer driver automatically.



EPSON StatusMonitor

This utility provides you with printer status information, such as the ink cartridge status, the free space of the maintenance tank, and a printer error.



EPSON LFP Remote Panel

EPSON LFP Remote Panel gives the user a broad range of control over the printer, to obtain better print quality in printing on various media.



Accessing the Printer Driver

To access the printer driver, follow the steps below. The following procedures may differ depending on the application you use.

- ❑ Page Setup dialog

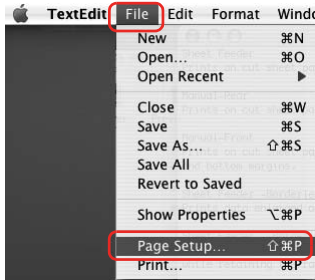
You can make the paper settings, such as media type, paper size.

- ❑ Print dialog

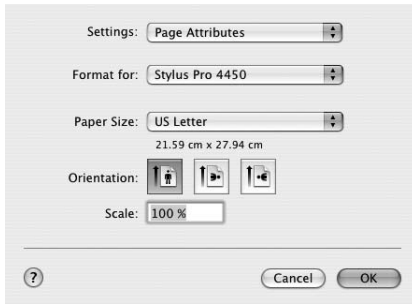
You can make the settings related to print quality.

Accessing the Page Setup dialog

To access the Page Setup dialog, click Page Setup on the File menu of your application.

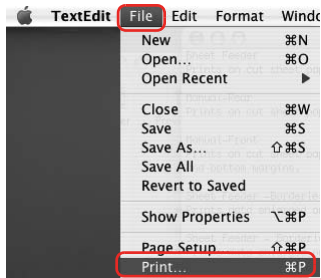


The Page Setup dialog is displayed. You can select a paper size, borderless printing, a paper source, and a print area in the Paper Size setting.

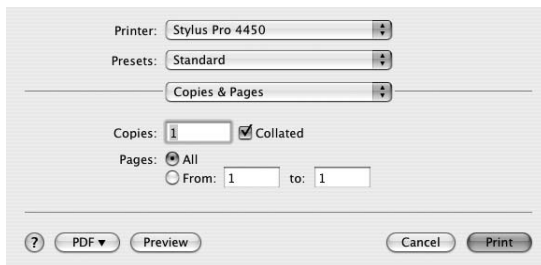


Accessing the Print dialog

To access the Print dialog, click Print on the File menu of your application.




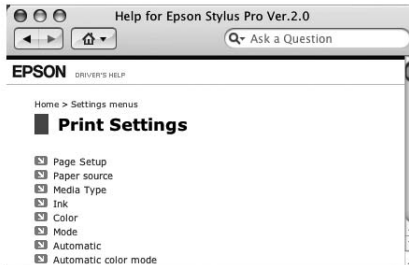
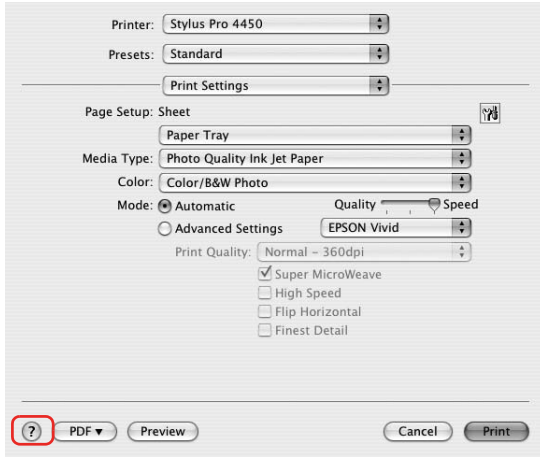
The Print dialog is displayed.



Make the settings as necessary, and then start printing.

Getting Information Through Online Help

To access the online help, click the  button in the dialog of the printer driver.

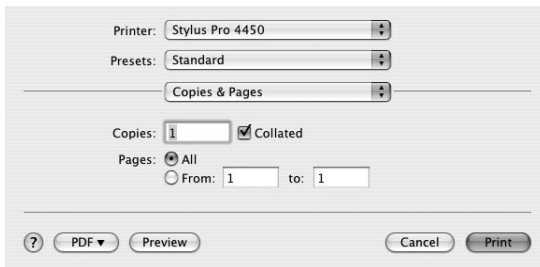


Basic Settings

This section describes how to print your data from an application using the Epson printer driver.

Setting the printer driver

First, make the print data using the application software. Before printing, open the printer driver window, and confirm the print settings such as the media type, paper size.

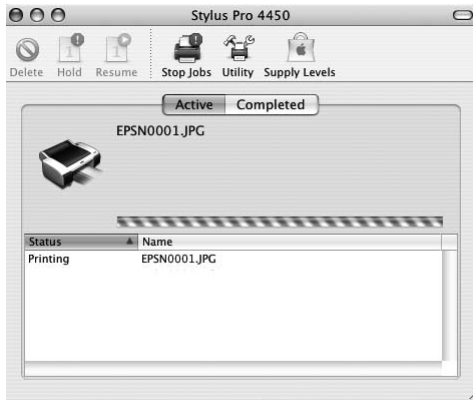


Checking the printer status

1. Click the Printer icon in the Dock.



2. You can check the jobs waiting and their information, and also cancel the printing.



Canceling printing

You can cancel a print job waiting from the computer. If the printing is already started, you can cancel printing by the printer.

Canceling printing by the printer

Press and hold the Pause ■■ button for 3 seconds to reset the printer.

Even when it is printing a job, the printer is reset. After resetting, it takes a while before the printer is in the ready state.

Note:

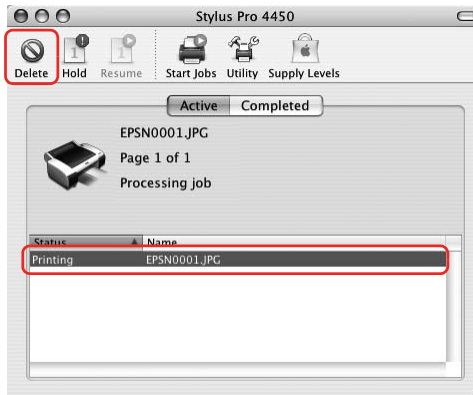
You cannot cancel a job waiting in the computer. To cancel a job waiting in the computer, see the next section “Canceling printing by the computer” on page 51.

Canceling printing by the computer

1. Click the Printer icon in the Dock.



2. Click the job you want to delete, and then click Delete.



Note:

- You can delete a job waiting with the same procedures above.
- You cannot cancel a print job that has been sent to the printer. In this case, cancel the print job by the printer.

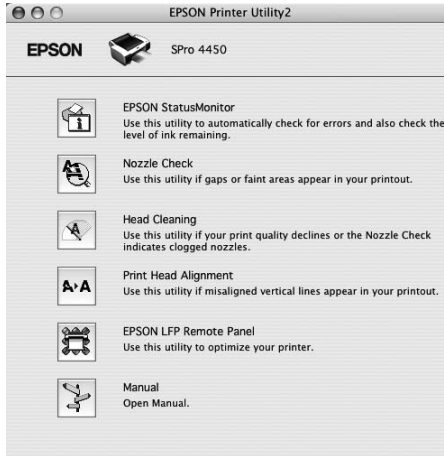
When problem occurs during printing

If a problem occurs during printing, an error message appears. If you are not sure how to solve the problem, cancel printing, and then start EPSON StatusMonitor that leads you step by step through a procedure to solve a problem.



Using Printer Utilities

The Epson printer utilities let you check the current printer status and perform printer maintenance from your screen.



EPSON StatusMonitor

This utility provides you with printer status information, such as the ink cartridge status, the free space of the maintenance tank, and a printer error.

Nozzle Check

This utility checks the print head nozzles to see if they are clogged and need to be cleaned. Check the nozzles when you notice the print quality has declined and after cleaning to confirm that the print head nozzles have been cleaned. If the print head nozzles are clogged, perform head cleaning.

Head Cleaning

This utility cleans the color and black print heads. You may need to clean the print head if you notice the print quality has declined.

Print Head Alignment

This utility can be used to improve the print quality of your printed data. The alignment of the print head may need to be adjusted if vertical lines appear out of alignment or if white or black banding noise appear in your printed data. Use this utility to realign the print head.

EPSON LFP Remote Panel

This utility lets you optimize your printer. You can start this utility only if it is installed. See the EPSON LFP Remote Panel online help for detailed information.

Manual

You can access the *User's Guide*. If the *User's Guide* is not installed, it will access a technical support Web site.

Accessing EPSON Printer Utility2

You can access the EPSON Printer Utility2 using the following ways.

- ❑ In the Print dialog, select Print Settings, and then click the Utility icon.
- ❑ Double-click the Applications folder, and then double-click the EPSON Printer Utility2 icon.

Using EPSON StatusMonitor

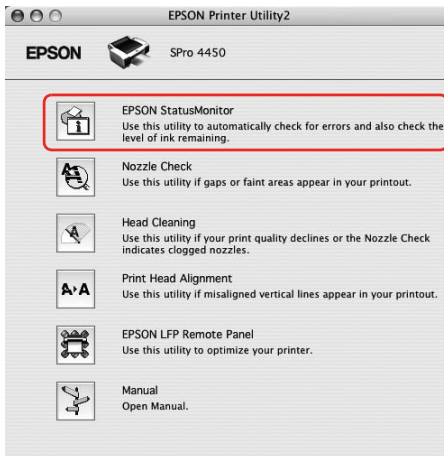
EPSON StatusMonitor provides you with detailed printer status information, a graphic display of the ink cartridge status and the free space of the maintenance tank, and status messages.

Note:

The printer error message appears automatically on your screen even if EPSON StatusMonitor is not opened.

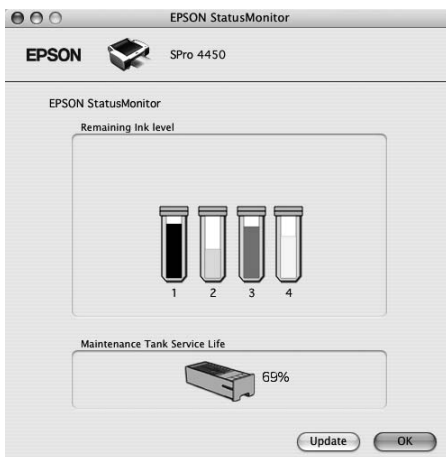
Accessing EPSON StatusMonitor

Open the EPSON Printer Utility2 window, and then click EPSON StatusMonitor.



Viewing information in EPSON StatusMonitor

EPSON StatusMonitor provides you with detailed printer status information, a graphic display of the ink cartridge status and the free space of the maintenance tank, and status messages. If a problem occurs during printing, an error message appears. Check the message and solve the problem accordingly.



Uninstalling the Printer Software

To uninstall the printer software, follow the steps below.

Uninstalling the printer driver

To uninstall the printer driver and EPSON Printer Utility2, follow the steps below.

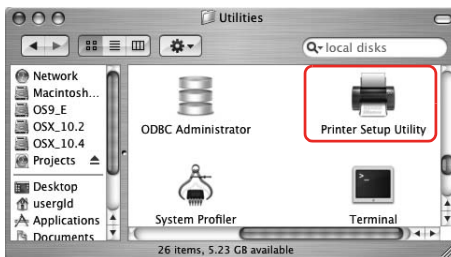
1. Turn off the printer, and unplug the interface cable connected with the computer and printer.
2. Close the all application software.
3. Double-click the hard disk icon.



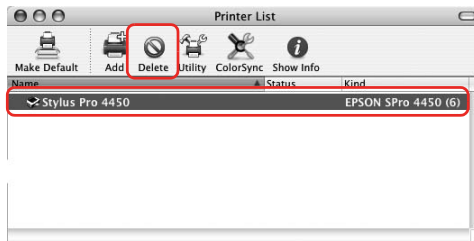
4. Double-click the Applications folder, and then double-click the Utilities folder.



5. Double-click the Print Center icon (for Mac OS X 10.2.x) or Printer Setup Utility icon (for Mac OS X 10.3 or later).

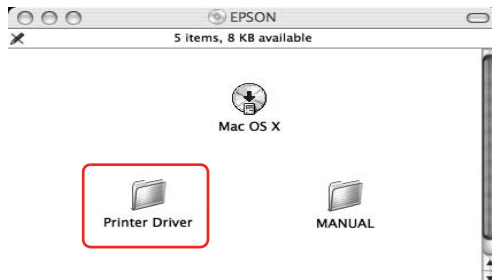


6. Select the printer, and then click Delete.



After clicking Delete, close the dialog.

7. Insert the printer software CD-ROM into the CD-ROM drive.
8. Double-click the Printer Driver folder.

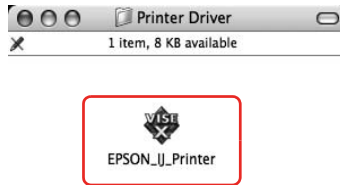


Note:

If the folder does not appear, double-click the EPSON icon on the desk top.



9. Double-click the EPSON_IJ_Printer icon.



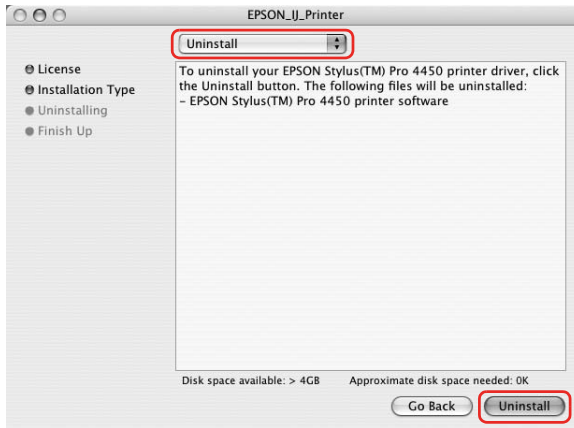
10. If the Authenticate dialog appears, enter the password or phrase and then click OK.

To uninstall the printer driver, you must log in as a user with administrator rights.



11. Click Continue, and then click Accept.

12. Select Uninstall from the pull-down menu, and then click the Uninstall button.



13. Follow the on-screen instructions to uninstall the printer driver.

Uninstalling EPSON LFP Remote Panel

Drag the EPSON LFP Remote Panel folder to the Trash. See the EPSON LFP Remote Panel online help for more information.

Variety of Printings

Using Color Management

The printer driver provides a setting for performing color management to printing data and a color adjustment that produces better looking prints by using only the printer driver. Color adjustment is performed without adjusting the color of the original data. See “Methods for color management” on page 64 for detailed information.

Color management

About color management system (CMS)

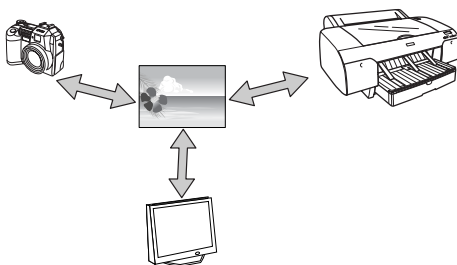
Since devices such as a digital camera, scanner, monitor, or printer produce color differently, the printing result looks different from the image you see on the display. To adjust the color between devices, use the color management system. Both Windows and Mac OS X have a color management system as their standard feature. Also, some image editing software support the color management system.

Each operating system supports the color management system, such as ICM for Windows and ColorSync for Mac OS. When performing color management using the printer driver, the color management system of the operating system is also used. In this color management system, a color definition file called the ICC profile is used for performing color matching between devices. The ICC profile is prepared for each printer model and each media type. For a digital camera, the color domain of sRGB, AdobeRGB, etc., may be specified as the profile.

In color management, the profile of an input device is called an input profile (or source profile), and an output device, such as a printer, is called a printer profile (or output profile).

Note:

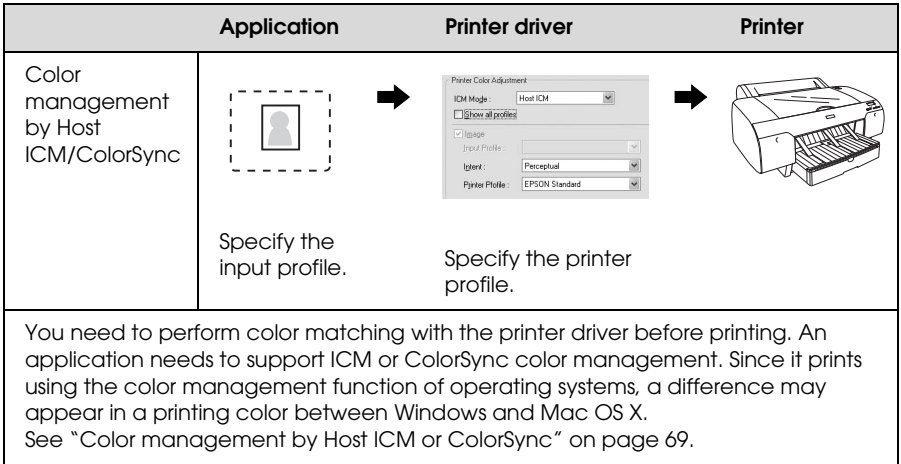
When you print an image taken by a digital camera or scanner, usually the printing result looks different from what you see on the display. This variance occurs because each device such as a digital camera, scanner, monitor, or printer, produces colors differently. In order to reduce the differences in color between each device, please perform color management between each device.



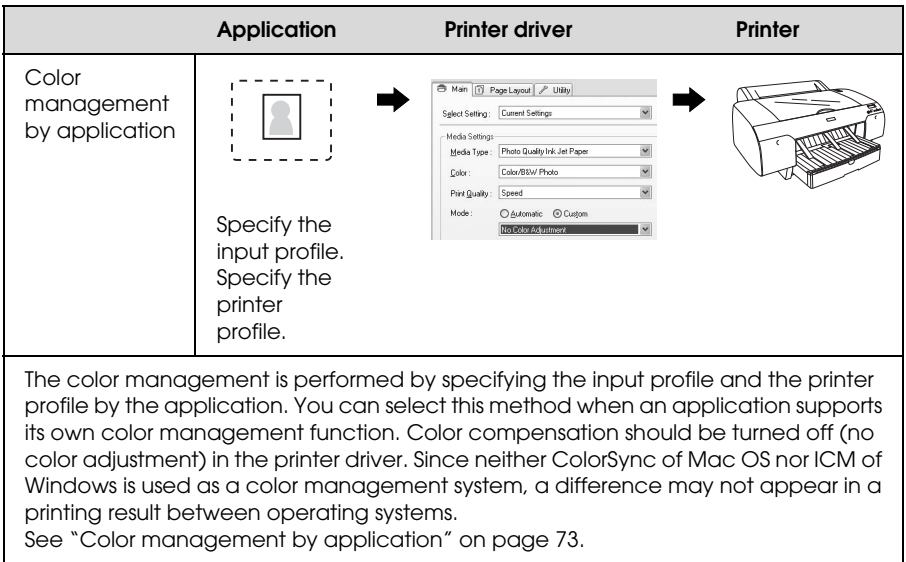
Methods for color management

Color management by printer driver

	Application	Printer driver	Printer
Color management by Driver ICM (Windows only)		<p>Specify the Input profile. Specify the printer profile.</p>	
<p>Color management is performed by specifying the input profile and the printer profile by the printer driver. Color management can be performed even if you print data from an application that does not support ICM color management. If an application supports a color management function, turn it off for printing. See “Color management by Driver ICM (Windows only)” on page 66.</p>			



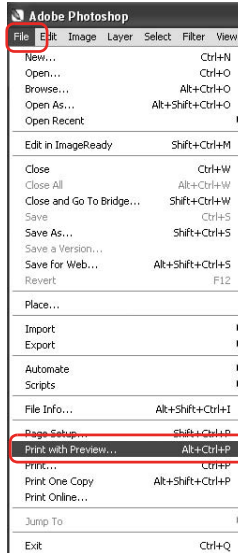
Color management by application



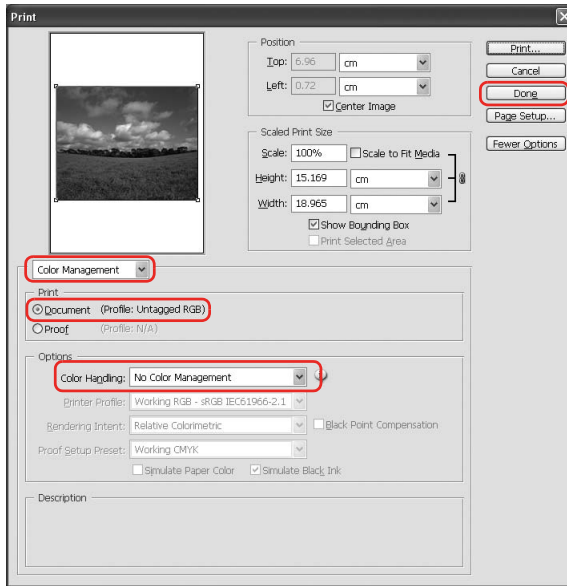
Color management by Driver ICM (Windows only)

The following procedures are for Adobe Photoshop CS2 running on Windows XP. When using this function with an application which does not support a color management function, you need to perform the color matching process from step 4.

1. From the File menu, select Print with Preview.

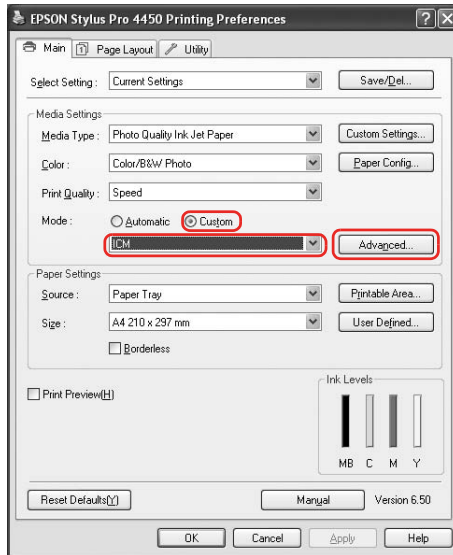


2. Select Color Management, and select Document for the Print. Select No Color Management for the Color Handling. Then click Done.



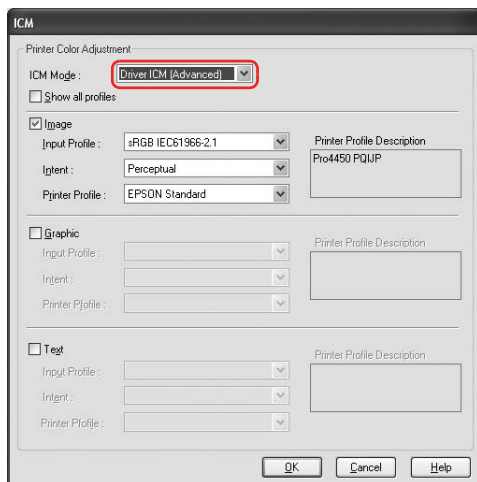
3. Open the printer driver window.
See "From Windows applications" on page 18.

4. Select Custom for the Mode in the Main menu, and select ICM, and then click Advanced.



5. In the ICM dialog box, select Driver ICM (Basic) or Driver ICM (Advanced) for the ICM Mode.

If you select Driver ICM (Advanced), you can specify the profiles and intent for image, graphics, and text data individually.



6. Check other settings, and then start printing.

Color management by Host ICM or ColorSync

The following procedures are for Adobe Photoshop CS2 running on Windows XP.

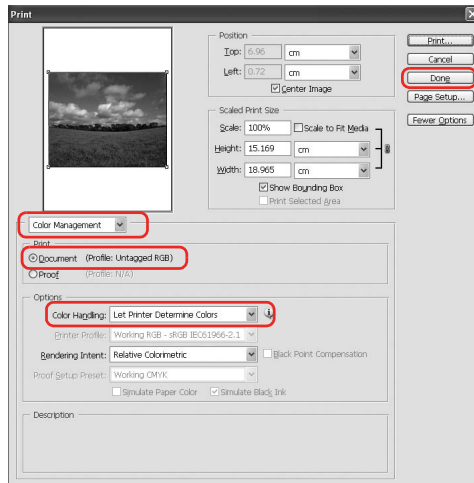
Note:

- ❑ *Use image data in which an input profile has been embedded.*
- ❑ *The application needs to support ICM or ColorSync.*

1. From the File menu, select Print with Preview.



2. Select Color Management, and then select Document for the Print. Select Let Printer Determine Colors for the Color Handling. Then click Done.

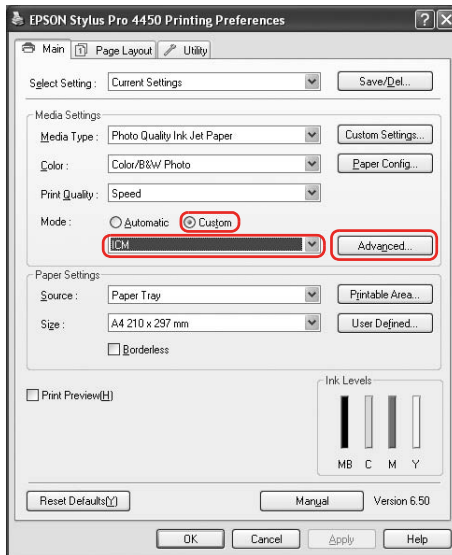


3. Open the printer driver window (Windows) or the Print dialog (Mac OS X).

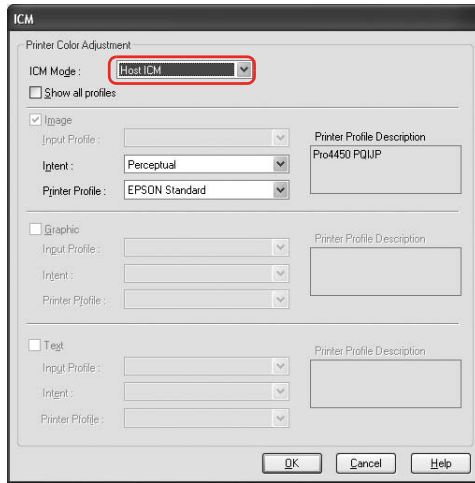
For Windows, see “From Windows applications” on page 18.

For Mac OS X, see “Accessing the Printer Driver” on page 44.

4. For Windows, select Custom for the Mode in the Main menu, and select ICM, and then click Advanced.
For Mac OS X, select Printer Color Management.



5. Select Host ICM (Windows) or ColorSync (Mac OS X) in the Printer Color Management dialog.



6. Check other settings, and then start printing.

Color management by application

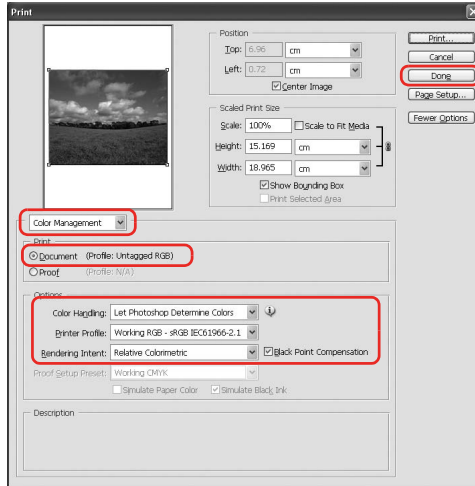
The following procedures are for Adobe Photoshop CS2 running on Windows XP.

Refer to the application's user manual for details of the settings.

1. From the File menu, select Print with Preview.



2. Select Color Management, and select Document for the Print. Select Let Photoshop Determine Colors for the Color Handling. Select the Printer Profile and the Rendering Intent. Then click Done.

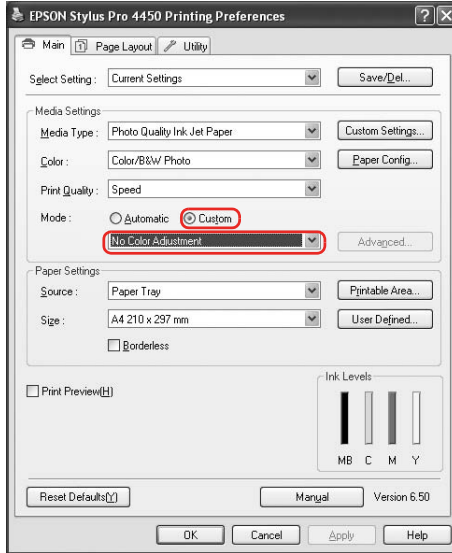


3. Open the printer driver window (Windows) or the Print dialog (Mac OS X).

For Windows, see “From Windows applications” on page 18.

For Mac OS X, see “Accessing the Printer Driver” on page 44.

4. For Windows, select Custom for the Mode in the Main menu, and then select No Color Adjustment.
For Mac OS X, select Off (No Color Adjustment) in the Printer Color Management dialog.



5. Check other settings, and then start printing.

Color adjustment by the printer driver

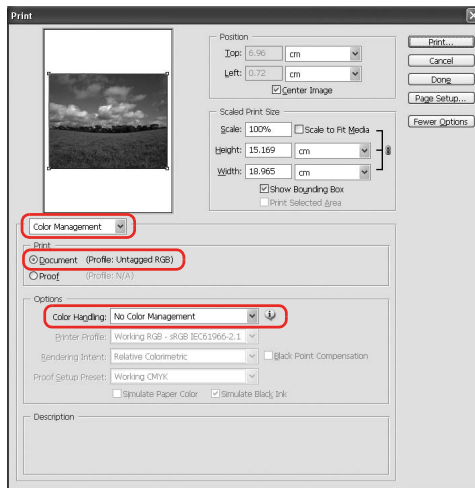
You can perform color management by the printer driver only. Also, you can use the PhotoEnhance function to adjust the color of the image data automatically.

Color adjustment by the Color Controls

You can perform color management by the printer driver. Use this function if the application does not support color management or if you want to manually perform color management.

Note:

If you use the color management of the printer driver from an application such as Adobe Photoshop CS2, turn off the color management function of the application.



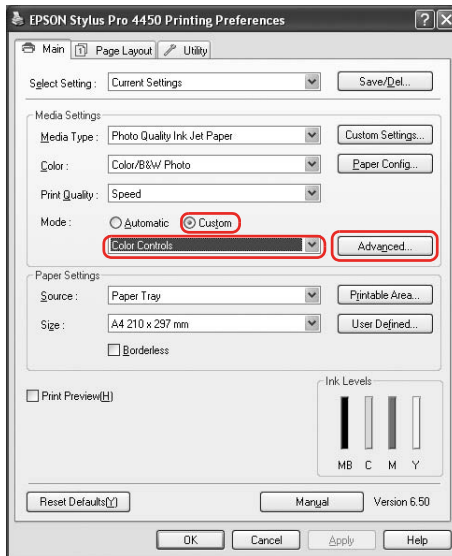
1. Open the printer driver window (Windows) or the Print dialog (Mac OS X).

For Windows, see “Accessing the Printer Driver” on page 18.

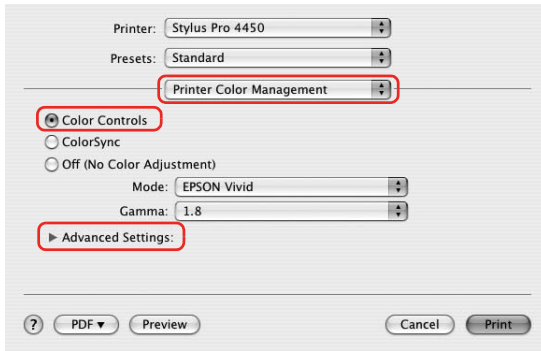
For Mac OS X, see “Accessing the Printer Driver” on page 44.

2. For Windows, select Custom for the Mode in the Main menu, and select Color Controls, and then click Advanced.
For Mac OS X, select Printer Color Management, and click Color Controls, and then click Advanced Settings.

Windows



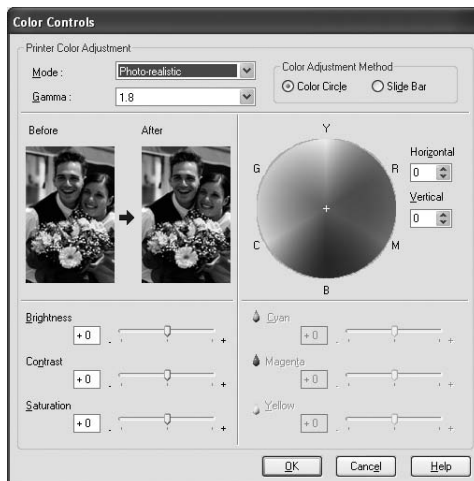
Mac OS X



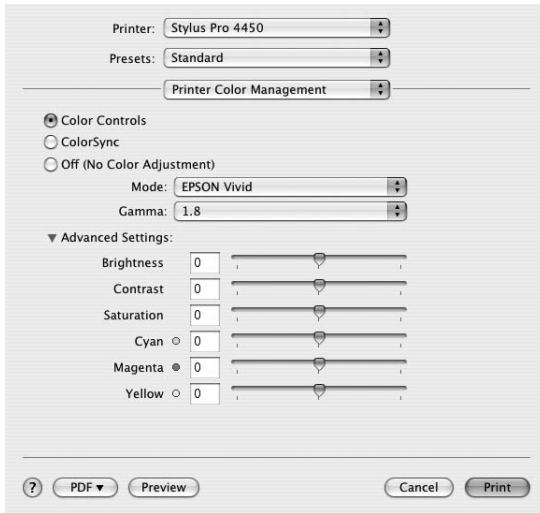
3. Make the necessary settings.

See the online help of the printer driver for detailed information.

Windows



Mac OS X



Note:

For Windows users, you can perform the color adjustment by checking the sample image on the left side of the window. You can also use the color circle for the fine color adjustment.

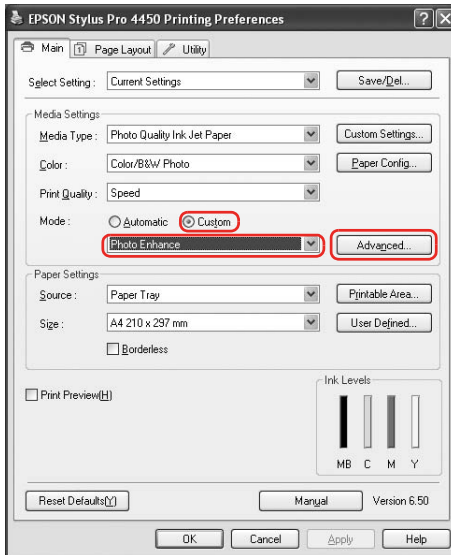
4. Check other settings, and then start printing.

Auto color adjustment by PhotoEnhance (Windows only)

This setting provides a variety of image-correction settings that you can apply to your photo images before printing. PhotoEnhance does not affect your original data.

1. Open the printer driver window.

See “Accessing the Printer Driver” on page 18.
2. Click Custom for the Mode in the Main menu, and select Photo Enhance, and then click Advanced.



3. In the Photo Enhance dialog box, select the effect settings.

See the online help of the printer driver for detailed information.



4. Check other settings, and then start printing.

Black-and-White Photo Printing

Advanced black-and-white photo printing is available by making the settings in the Color Controls dialog box, without using the application software. The print image is adjusted without affecting the original data.

You need to use the media that is suitable for black-and-white photo printing.

Note:

The Advanced B&W Photo printing is available for EPSON Stylus Pro 4880/4880C only.

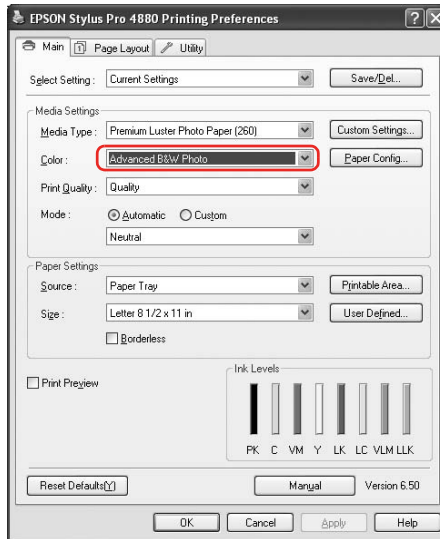
1. Open the printer driver window (Windows) or the Print dialog (Mac OS X).

For Windows, see “Accessing the Printer Driver” on page 18.

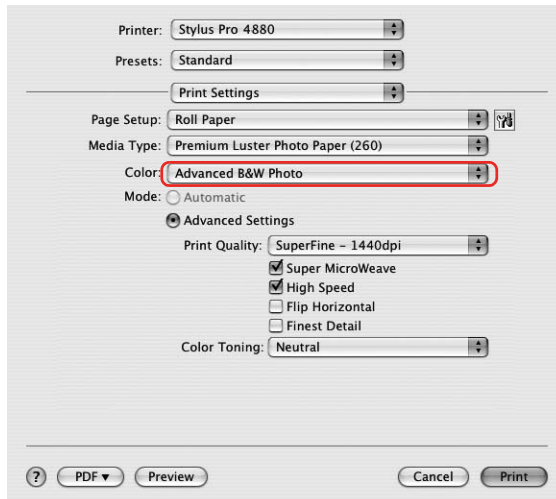
For Mac OS X, see “Accessing the Printer Driver” on page 44.

2. Select Advanced B&W Photo for the Color.

Windows

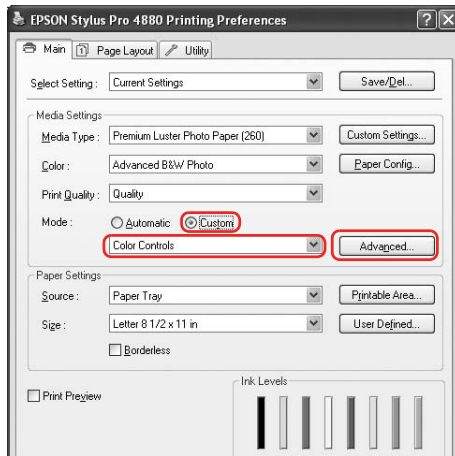


Mac OS X

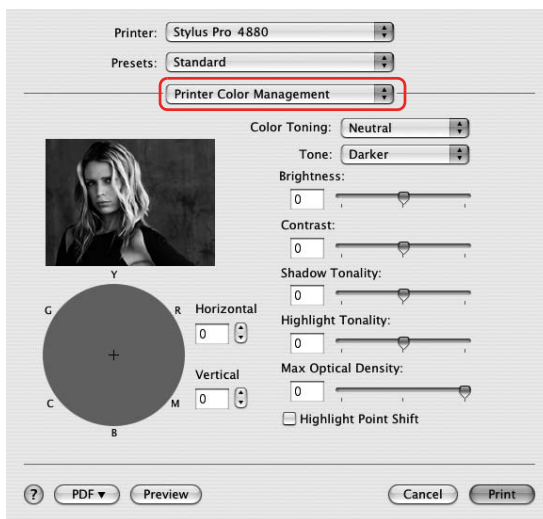


3. For Windows, click Custom for the Mode in the Main menu, and select Color Controls, and then click Advanced. For Mac OS X, select Printer Color Management.

Windows

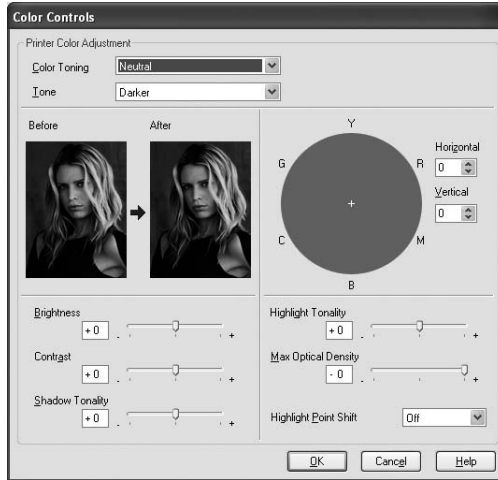


Mac OS X

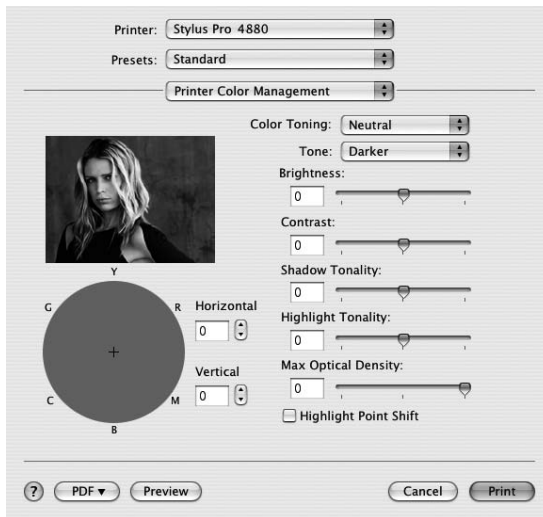


4. Make the necessary settings, and then start printing. For more detailed information, see the online help of the printer driver.

Windows



Mac OS X



Borderless Printing

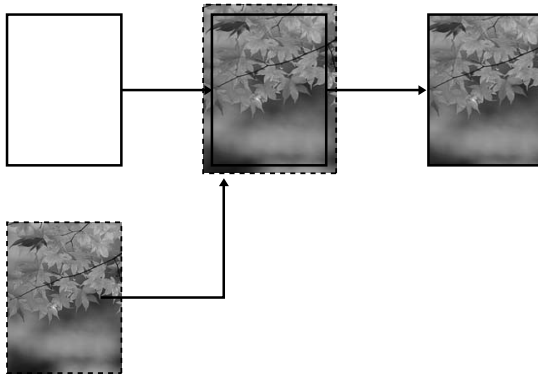
You can print your data without margins on paper. There are two types of borderless printing.

Note:

If you are using roll paper, all four sides can be borderless, and if you are using a sheet of paper, only left and right sides can be borderless.

❑ Auto Expand

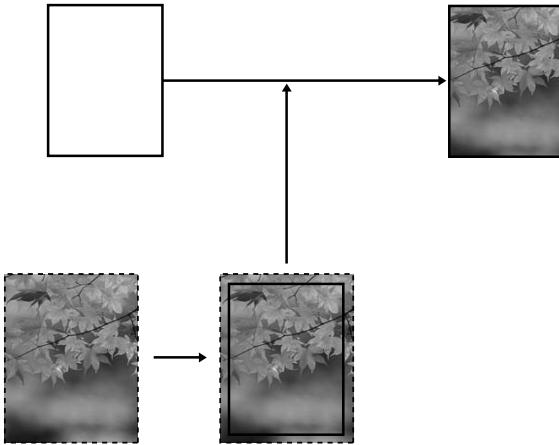
Enlarge the size of print data automatically and print without margins. Enlarged areas that exceed the paper size will not be printed on the paper.



❑ Retain Size

Using an application, enlarge your image data to exceed the paper width and height, to avoid unprinted areas appearing along the all four edges. The printer driver does not enlarge the image data. Enlarging 3 mm in both the left and right directions (total of 6 mm) is recommended by using the application that created the data.

Select this setting if you do not want to change the ratio of your print data by the printer driver.



Supported media type

The following media sizes are supported for borderless printing.

Paper width
8 inch, 203.2 mm
210 mm (A4)
216 mm (Letter)
10 inch, 254 mm
257 mm (B4)
297 mm (A3)
300 mm
12 inch, 304.8 mm
329 mm (Super A3/B)
13 inch, 330.2 mm
14 inch, 355.6 mm
400 mm
16 inch, 406.4 mm
420 mm (A2)
17 inch/US C, 431.8 mm

Note:

- You cannot perform borderless printing on cut-sheet media with a width of 420 mm (A2).
- When printing on roll paper with a width of 8 inches or 420 mm (A2), attach a spacer to the spindle. See “Attaching the spacer to the spindle” on page 197.
- When printing on cut-sheet media, only the left and right margins are set to zero.

- ❑ *The ink may contaminate the platen of the printer. In this case, wipe the ink away using a cloth.*
- ❑ *Printing with this feature takes longer time than normal printing.*
- ❑ *When Premium Glossy Photo Paper (250) roll paper or Premium Semigloss Photo Paper (250) roll paper is used in printing, the top margin is always 20 mm.*
- ❑ *Smear may result in the top and bottom areas depending on the media.*

Depending on the media type, the print quality may decline or the borderless printing is not supported. See “Paper Information” on page 299 for detailed information.

Application settings

Set the size of the image data using the Page Setting dialog box of the application software.

For Auto Expand

- Set the same paper size as used for printing.
- If your application has margin settings, set the margin to 0 mm.
- Make the image data as large as the paper size.

For Retain Size

- Enlarge 3 mm in both the left and right directions (total of 6 mm), using the application that created the data.
- If your application has margin settings, set the margin to 0 mm.
- Make the image data as large as the paper size.

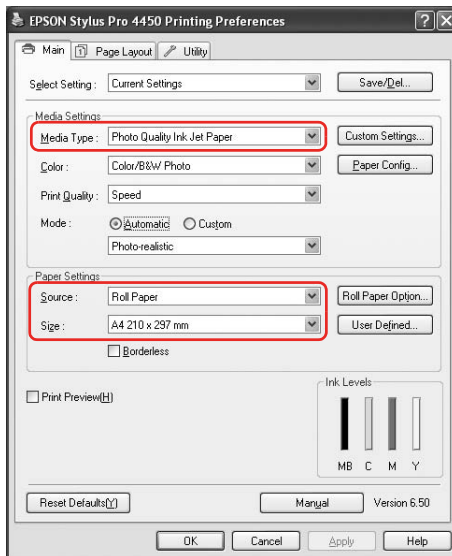
Printer driver settings

To print your data with this feature, follow the steps below.

For Windows

1. Open the printer driver window.

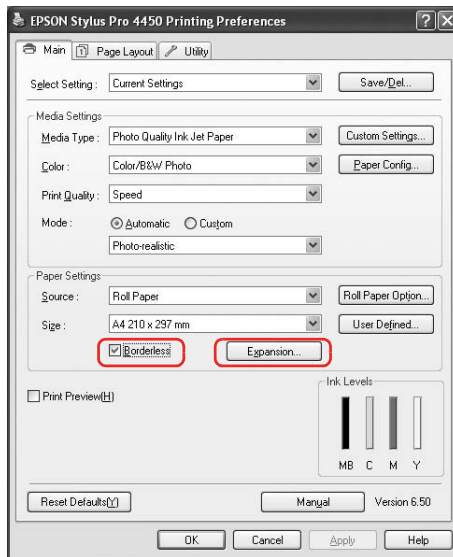
See “Accessing the Printer Driver” on page 18.
2. In the Main menu, select the media type, paper source, page size, or paper size.



3. When you print on roll paper, click Roll Paper Option, and select the Auto Cut setting.

See “Roll paper cut for borderless printing” on page 97.

4. Select Borderless, and then click Expansion.



5. Select Auto Expand or Retain Size. If you select Auto Expand, set the amount of enlargement.

Max	3 mm for left and 5 mm for right (the image shifts 1 mm to the right)
Standard	3 mm for left and right
Min	1.5 mm for left and right



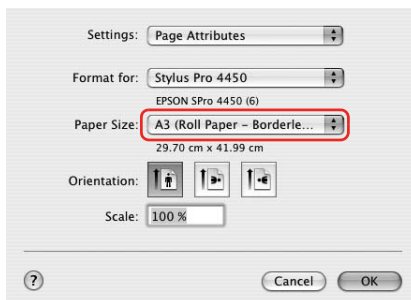
Note:

Moving the slider towards Min decreases the amount of the image enlargement; however, as this amount decreases, margins may appear on one or more sides of the paper.

6. Check the other settings, and then start printing.

For Mac OS X

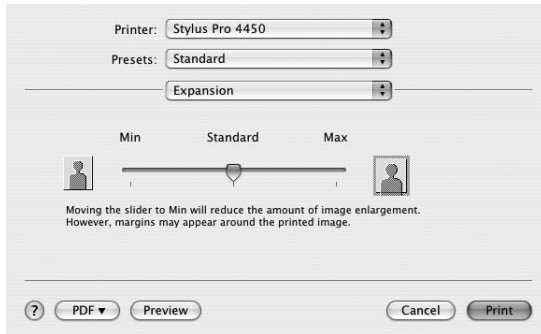
1. Open the Page Setup dialog.
See “Accessing the Printer Driver” on page 44.
2. Select the paper size and borderless printing such as Auto Expand or Retain Size, and then click OK.



3. Open the Print dialog.
See “Accessing the Printer Driver” on page 44.

4. If Auto Expand is selected, set the amount of the enlargement.

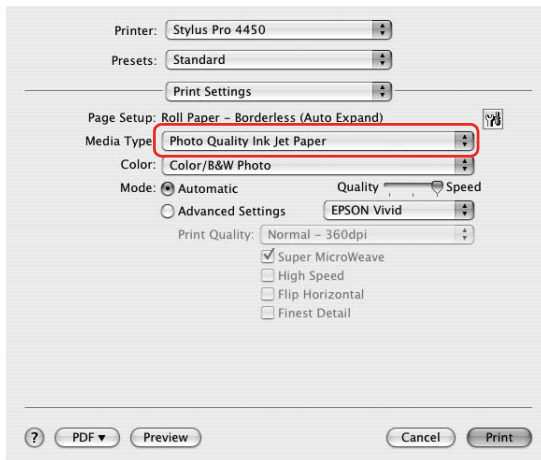
Max	3 mm for left and 5 mm for right (the image shifts 1 mm to the right)
Standard	3 mm for left and right
Min	1.5 mm for left and right



Note:

Moving the slider towards Min decreases the amount of the image enlargement; however, as this amount decreases, margins may appear on one or more sides of the paper.

5. In the Print Settings dialog, select the media type.



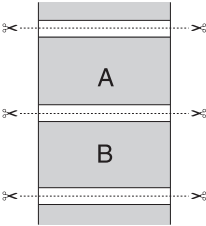
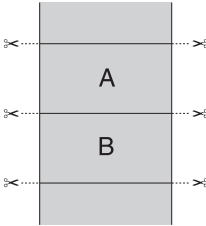
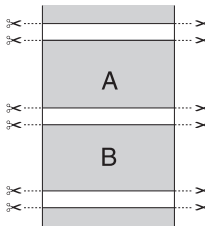
6. If you print on roll paper, select the Auto Cut setting in the Roll Paper Option dialog.

See “Roll paper cut for borderless printing” on page 97.

7. Check the other settings, and then start printing.

Roll paper cut for borderless printing

When you use roll paper for borderless printing, the paper cut operation is different according to the Borderless and Auto Cut settings of the printer driver.

	No margins for left and right	No margins for all directions (single cut)	No margins for all directions (double cut)
Printer driver setting	Borderless: Enable	Borderless: Enable	Borderless: Enable
	Auto Cut: Normal Cut	Auto Cut: Single Cut	Auto Cut: Double Cut
Printer operations			

Explanation	Normal Cut is default setting.	<p>The top area may smear because the top area of the roll paper is cut while the print operation is stopped.</p> <p>If the cut position is slightly shifted, the image on the continuous page remains on the top or bottom area; however, the printing time gets shorter.</p> <p>If you select Single Cut and print only a piece of paper, the operation will be the same as Double Cut. If you print more than one paper continuously, cut 1 mm along the inside of each picture to avoid creating a margin between pictures.</p>	<p>The top area may smear because the top area of the roll paper is cut while the print operation is stopped.</p> <p>Because inside of each picture is cut in order to not leave a white area in the top and bottom position, the size of the paper gets 2 mm shorter.</p> <p>After cutting the bottom area of the previous page, the printer feeds the paper and then cuts the top area of the next page. Because of that, 80 to 130 mm of scrap of paper is produced. Take care to cut the paper precisely.</p>
-------------	--------------------------------	---	---

Note:

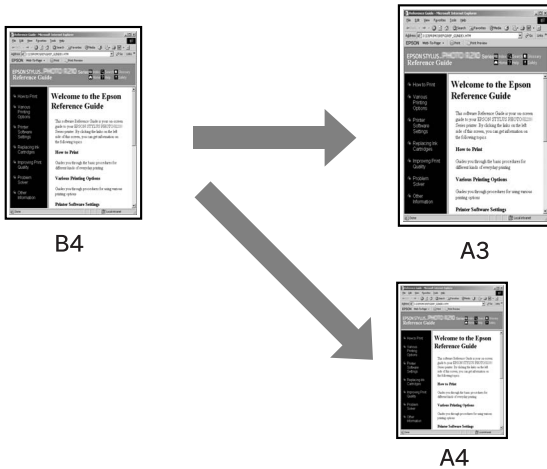
When you want to cut prints manually, select OFF.

Enlarge or Reduce Size Printing

You can fit the size of your data to the size of paper you print on. There are three ways to enlarge or reduce the size of your data.

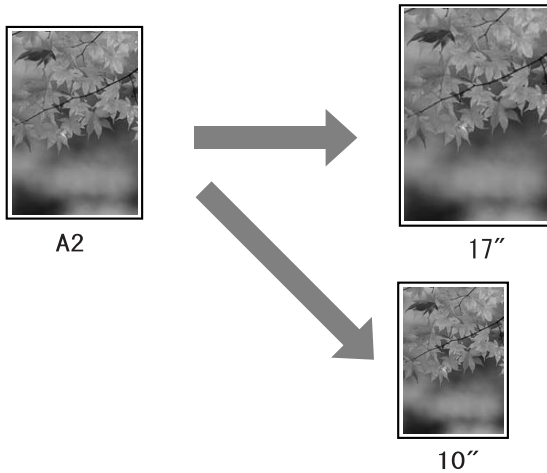
- ❑ Fit to Page (Windows only)

Proportionally enlarges or reduces the size of your data to make it fit the paper size you have selected in the Output Paper Size.



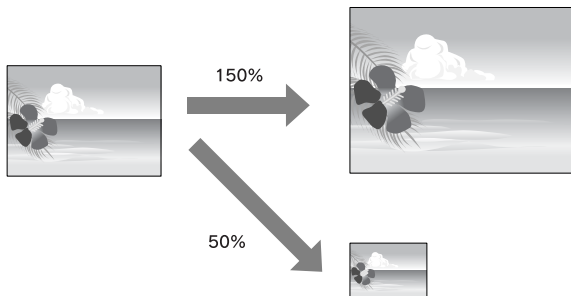
Fit to Roll Paper Width (Windows only)

Proportionally enlarges or reduces the size of your data to make it fit the width of the roll paper you have selected in Output Paper Size.



Custom

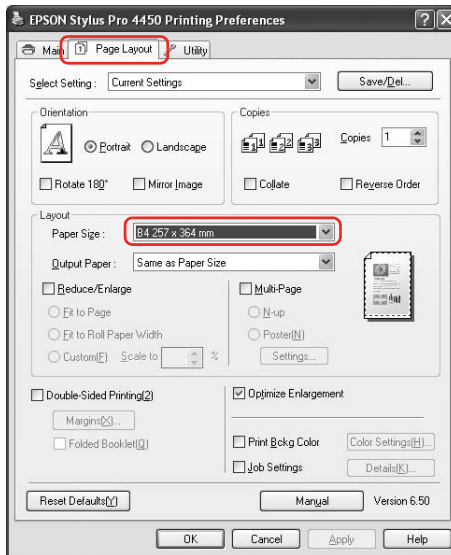
Lets you define the percentage you want to enlarge or reduce a data.



Fit to Page (Windows only)

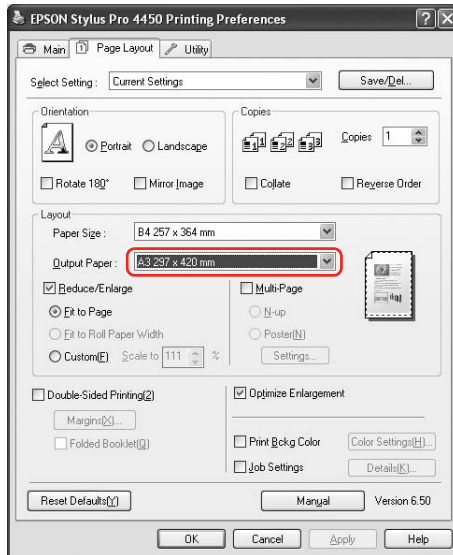
You can fit the size of your data to the size of paper you to print on.

1. Open the printer driver window.
See “Accessing the Printer Driver” on page 18.
2. Click the Page Layout tab, and then select the same paper size as the paper size of the data.



3. Select the paper size that is loaded in the printer from the Output Paper list.

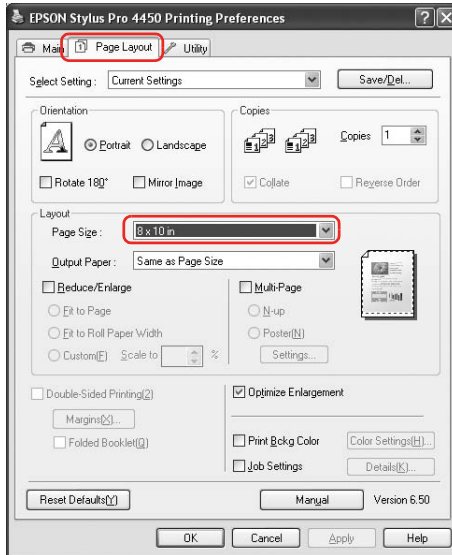
Proportionally enlarges or reduces the size of your data to make it fit the paper size you have selected for the Output Paper.



4. Check the other settings, and then start printing.

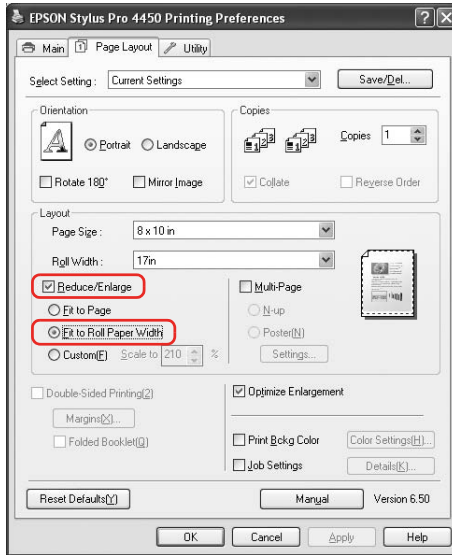
Fit to Roll Paper Width (Windows only)

1. Open the printer driver window.
See “Accessing the Printer Driver” on page 18.
2. Click the Page Layout tab, and then select the same paper size as the data.



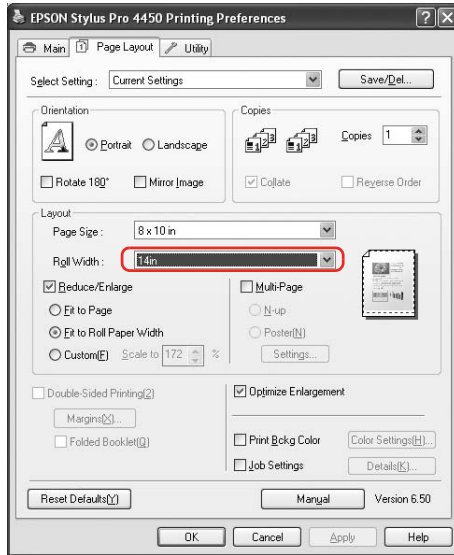
3. Select Reduce/Enlarge, and then click Fit to Roll Paper Width.

Proportionally enlarges or reduces the size of your data to make it fit the paper size you have selected for the Roll Width.



4. Select the roll paper width that is loaded in the printer from the Roll Width list.

Proportionally enlarges or reduces the size of your data to make it fit the paper size you have selected for the Roll Width.



5. Check the other settings, and then start printing.

Custom

Lets you define the percentage you want to reduce or enlarge.

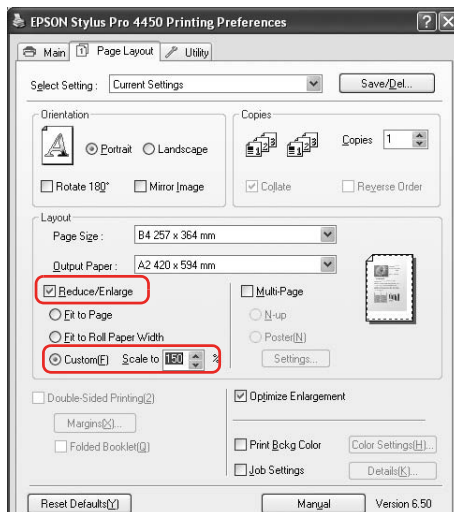
For Windows

1. Open the printer driver window.

See “Accessing the Printer Driver” on page 18.

2. Click the Page Layout tab, and then select the same paper size as the paper size of the data.
3. Select the paper size that is loaded in the printer from Output Paper or Roll Width.
4. Select Reduce/Enlarge, and then click Custom.

Click the arrows next to the Scale box to select a proportion from 10 to 650%.



5. Check the other settings, and then start printing.

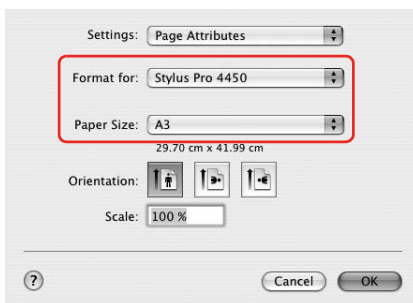
For Mac OS X

1. Open the Page Setup dialog.

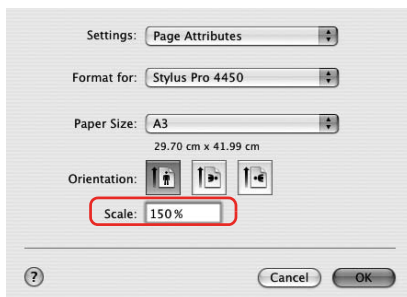
See “Accessing the Printer Driver” on page 44.

2. Select the printer and paper size.

Select the paper size that is loaded in the printer.



3. Set the value for Scale between 25 to 400%.

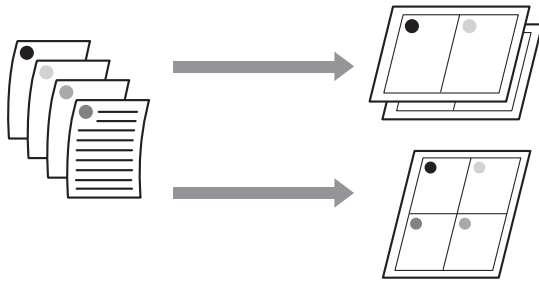


4. Check the other settings, and then start printing.

Pages Per Sheet Printing

You can print two or four pages of your document on one sheet of paper.

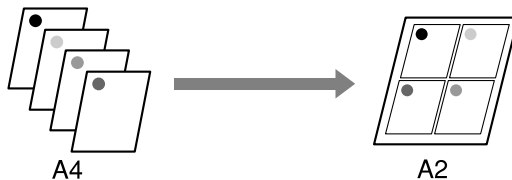
If you print continuous layout data prepared at A4 size, it will be printed as shown below.



Note:

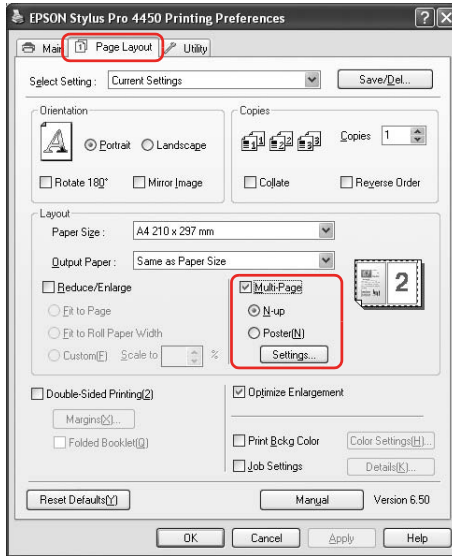
- ❑ For Windows users, use the printer driver's function for layout printing. For Mac OS X, use the standard feature of the operating system for layout printing.
- ❑ You cannot use the Multi-Page function of Windows printer driver if you are using Borderless printing.
- ❑ For Windows users, using the Fit to Page function, you can print the data on different sizes of paper.

See "Enlarge or Reduce Size Printing" on page 99.



For Windows

1. Open the printer driver window.
See “Accessing the Printer Driver” on page 18.
2. Click the Page Layout tab, select the Multi-Page check box, select N-up, and then click Settings.



3. In the Print Layout dialog box, specify the order in which the pages will be printed.

To print frames around the pages printed on each sheet, check the Print page frames check box.

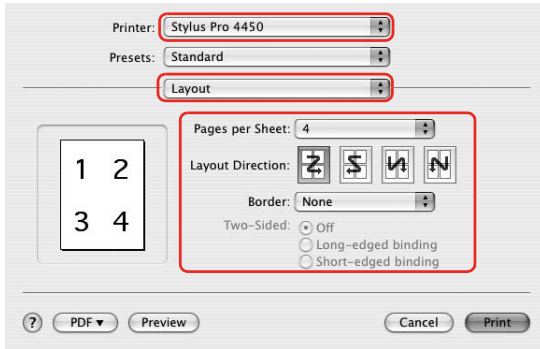
4. Check the other settings, and then start printing.

For Mac OS X

1. Open the Print dialog.

See “Accessing the Printer Driver” on page 44.

2. Select a target printer, and then select Layout from the list to specify the order in which the pages will be printed.



Note:

If you select other than None for Border, the frames around the pages are printed on each sheet.

3. Check the other settings, and then start printing.

Poster Printing

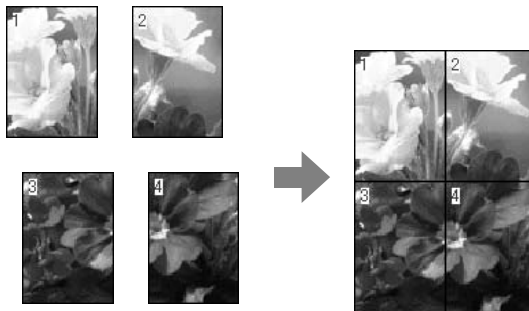
The poster printing function allows you to print poster-size images by enlarging one page to cover several sheets of paper. This function is supported by Windows only. You can make a poster or a calendar by joining the several printed sheets of paper together. The poster printing supports following two types.

❑ **Borderless poster printing**

You can print a borderless poster-size image by automatically enlarging one page to cover several sheets of paper. You can make a poster just by joining the several printed sheets of paper together. Because the image data is enlarged beyond the paper size, the area that exceeds the sheets cannot be printed. This function is available for roll paper only.

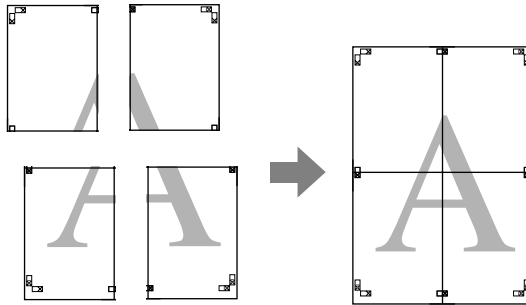
Note:

Borderless poster printing may not produce a seamless poster image which consists of multiple printed sheets of paper. If you want a seamless image, try the Poster printing with margins feature.



❑ Poster printing with margins

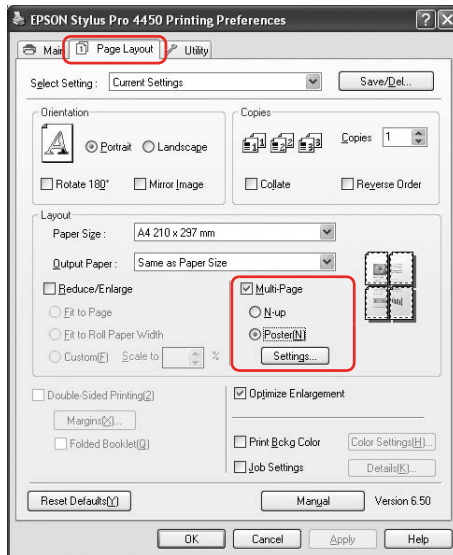
You can print a poster-size image by automatically enlarging one page to cover several sheets of paper. You need to cut the margins and then join the several sheets of paper together to make a poster.



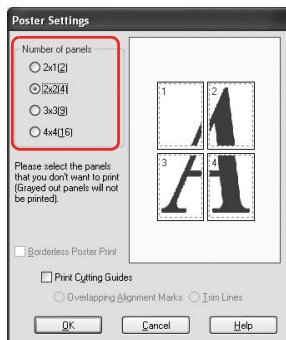
1. Open the printer driver window.

See “Accessing the Printer Driver” on page 18.

2. Click the Page Layout tab, select the Multi-Page check box, select Poster, and then click Settings.



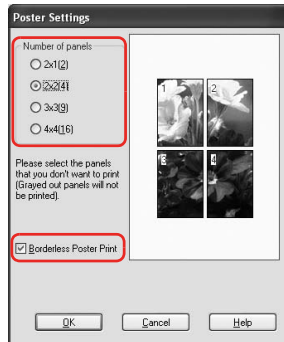
3. In the Poster Settings dialog box, select the number of printed pages you want the poster to cover.



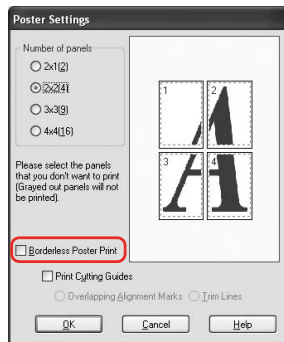
Note:

You can make a larger poster if you select a greater number for division.

- When you want to print a borderless poster, select the Borderless Poster Print check box, and select the panels that you do not want to print, and then click OK. Then go to step 6.



- If you want margins around the poster, make sure the Borderless Poster Print check box is cleared, and make the other settings as necessary.



Note:

*Regarding the size when the parts are joined together:
The finished size whether Trim Lines is selected or not is the same.
However, if Print Cutting Guides is selected, the finished size is smaller by the amount of the overlap.*

- Check the other settings, and then start printing.

Joining the sheets together along the guide

The steps to join the sheets together are different whether the printed sheets are borderless or not.

For borderless poster printing

This section explains how to join the four printed pages together. Join the printed pages together appropriately, and stick them on the back of sheets using the cellophane tape. Join them by the following order indicated in the illustration below.

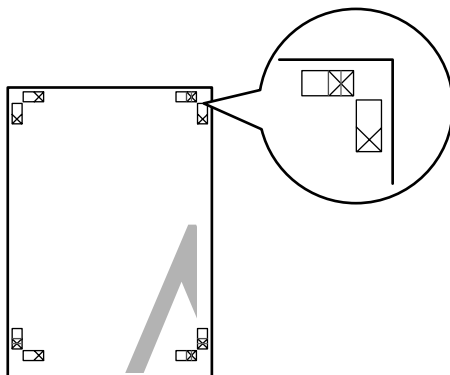
Note:

Poster printing may not produce a seamless poster image which consists of multiple printed sheets of paper. If you want a seamless image, try the Poster printing with margins feature.

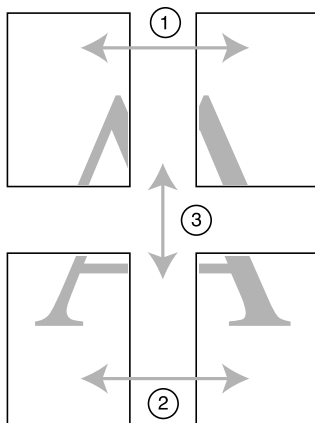


For poster printing with margins

When you select Overlapping Alignment Marks, the following marks are printed on the paper. See the procedures below to join the four printed pages together using the alignment marks.

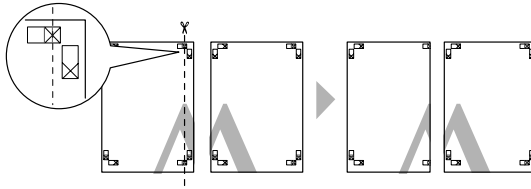


The four sheets are joined together by the following order.

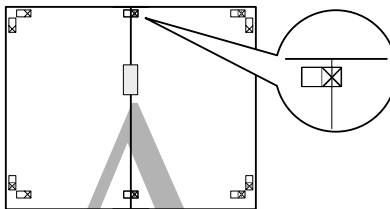


1. Cut the upper left sheet along the alignment mark (vertical blue line).

The guide is black for the black-and-white printing.

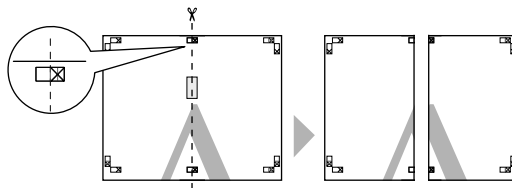


2. Lay the upper left sheet on top of the upper right sheet. The X marks should be matched as in the illustration below, and join the upper left sheet to the upper right sheet with cellophane tape temporarily.

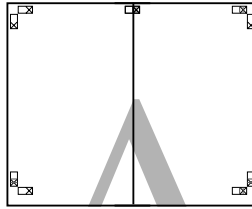


3. Cut the upper sheets along the alignment mark (vertical red line).

The guide is black for the black-and-white printing.

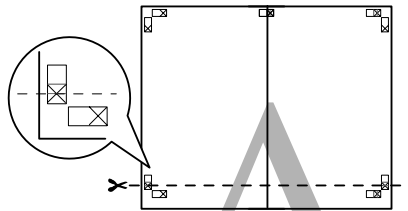


4. Join the upper left and right sheets together with cellophane tape on the back of the sheets.

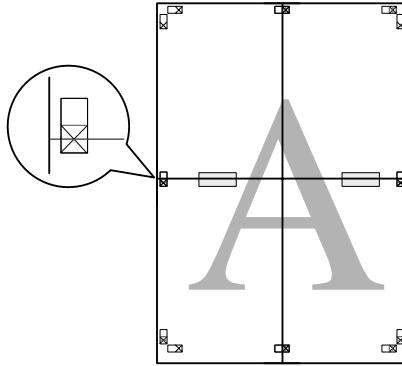


5. Try step 1 to 4 for the lower sheets.
6. Cut the bottom of upper sheets along the alignment mark (horizontal blue line).

The guide is black for the black-and-white printing.

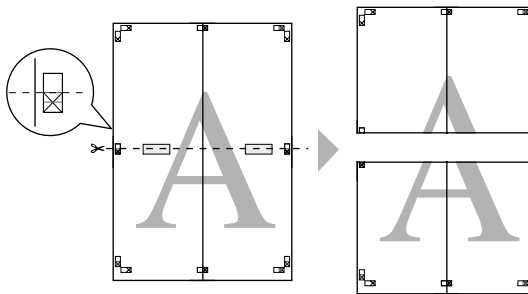


7. Lay the upper sheets on top of the lower sheets. The X marks should be matched as in the illustration below, and join the upper sheets and lower sheets together with cellophane tape temporarily.

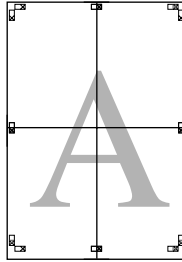


8. Cut the sheets along the alignment mark (horizontal red line).

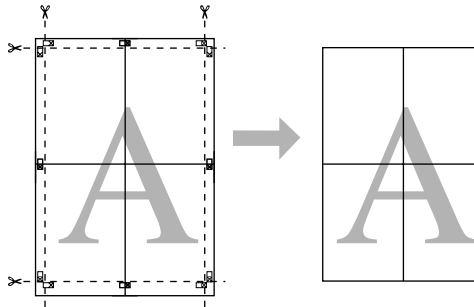
The guide is black for black-and-white printing.



9. Join the upper sheets and lower sheets together with cellophane tape on the back of the sheets.



10. After joining all the sheets together, cut the margins along the outer guide.



Printing on Custom Paper

You can also print on a custom paper, using the steps below.



The size you can register is as follow.

Paper width	89 to 432 mm
Paper height	Windows: 127 to 15000 mm OS X: 127 to 15240 mm

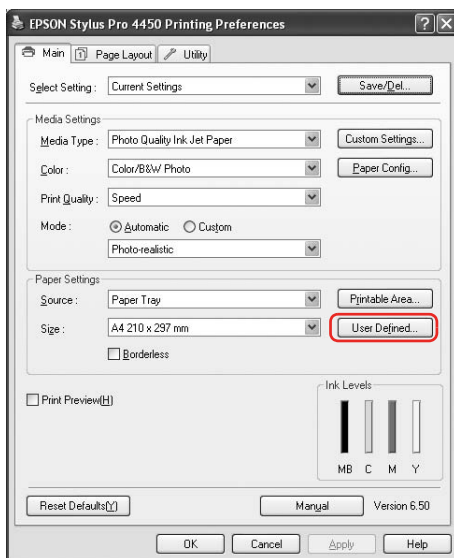
* The maximum length of the paper roll can be longer than the paper height if using application software that supports banner printing. However, the actual print size is dependent on the application, the paper size set in the printer, or the computer environment.

Note:

- For Mac OS X, you can set a larger size in the Custom Paper Size than the size that you can set in the printer; however, it does not print correctly.
- The available output size may be limited depending on the application software.

For Windows

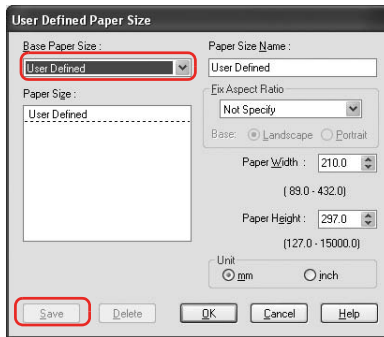
1. Open the printer driver window.
See “Accessing the Printer Driver” on page 18.
2. Click User Defined in the Main menu.



Note:

You cannot select User Defined if Borderless is selected for Paper Settings.

3. Set the custom paper size you want to use, and then click Save.
 - ❑ You can enter up to 24 characters for the Paper Size Name.
 - ❑ You can easily change the size by selecting the paper size close to the size you want to set in the Base Paper Size.
 - ❑ If the ratio is same as the defined paper size, select the ratio from the Fix Aspect Ratio and select either Landscape or Portrait for the Base. In this case, you can only adjust either the Paper Width or Paper Height.



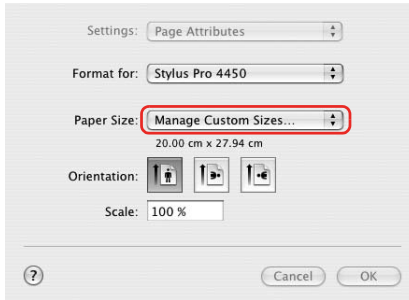
Note:

- ❑ To change the paper size you have registered, select the paper size name in the list, and then change the size.
 - ❑ To delete the user-defined size you have registered, select the paper size name in the list, and then click Delete.
 - ❑ You can register up to 100 paper sizes.
4. Click OK to save the custom paper size.

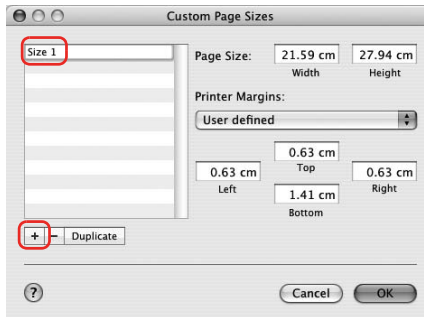
The custom paper size is registered in the Paper Size. Now, you can print by taking the same steps as usual.

For Mac OS X

1. Open the Page Setup dialog.
See “Accessing the Printer Driver” on page 44.
2. Select Manage Custom Sizes in Paper Size.



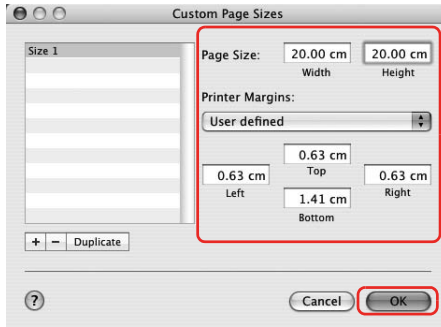
3. Click +, and enter the paper size name.



4. Enter the paper width, paper height, and margins, and then click OK.

The paper size and printer margin you can set is as follow.

Printer	Description
Standard	Prints on cut-sheet paper with 14-mm bottom margin, and 3-mm top, left and right margins.
Maximum	Prints on cut-sheet paper with 3-mm margins in four directions.
Borderless (Auto Expand)	Prints data enlarged on cut-sheet paper with 3-mm top margin, 14-mm bottom margin, and 0-mm left and right margins.
Borderless (Auto Expand, Maximum)	Prints data enlarged on cut-sheet paper with 3-mm top and bottom margins, and 0-mm left and right margins.
Roll Paper	Prints on roll paper with 3-mm margins in four directions.
Roll Paper - Borderless (Auto Expand)	Prints data enlarged on roll paper without margins.
Roll Paper - Banner	Prints multi-page data on roll paper continuously with 3-mm left and right margins and 0-mm top and bottom margins.
Borderless (Retain Size)	Prints data on cut-sheet paper with 3-mm top margin, 14-mm bottom margin, and 0-mm left and right margins, while retaining the ratio of the original size.
Borderless (Retain Size, Maximum)	Prints data on cut-sheet paper with 3-mm top and bottom margins and 0-mm left and right margins, while retaining the ratio of the original size.
Roll Paper - Borderless (Retain Size)	Prints data on roll paper without margins, while retaining the ratio of the original size.
Roll Paper - Borderless Banner	Prints multi-page data on roll paper continuously without margins.



Note:

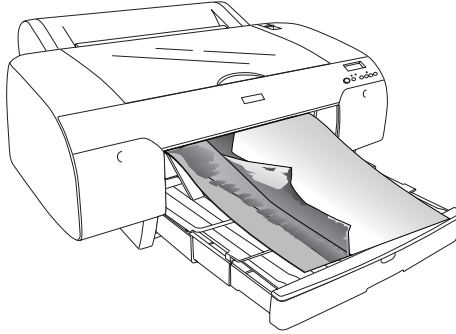
- To change the setting you have registered, click the paper size name from the list.
- To duplicate the paper size you have registered, click the paper size name from the list, and then click Duplicate.
- To delete the paper size you have registered, click the paper size name from the list, and then click -.
- The custom paper size setting is different depending on the version of the operating system. See your operating system's documentation for details.

5. Click OK.

The custom paper size is registered in the Paper Size pop-up menu. Now, you can print by taking the same steps as usual.

Banner Printing on Roll Paper

This section explains how to print a banner and panorama pictures.



There are two ways to print a banner.

Paper source	Application
Roll Paper	Document preparation tool, image and editing software
Roll Paper (Banner)	Software that supports banner printing

The following are the available printing sizes.

Paper width	89 to 432 mm
Paper height	Windows: Max. 15000 mm Mac OS X: Max. 15240 mm

* The maximum length of the paper roll can be longer than the paper height if using the software that supports banner printing; however, the actual printable height may be different depending on the application and the computer used for printing.

Application settings

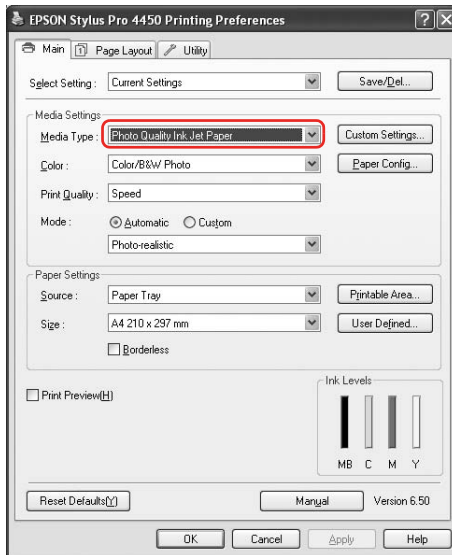
You need to make the data for printing a banner using an application.

If the paper size you want to print is equal to or smaller than the maximum setting size the application can set, select the paper size you prefer.

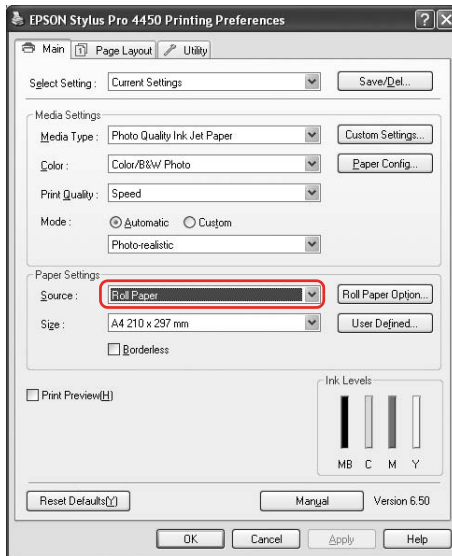
Printer driver settings

For Windows

1. Open the printer driver window.
See “Accessing the Printer Driver” on page 18.
2. In the Main menu, select media type.



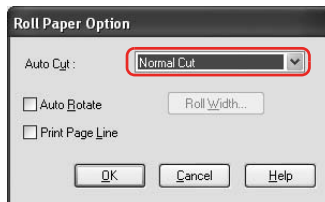
3. Select Roll Paper or Roll paper (Banner) from the Source list.



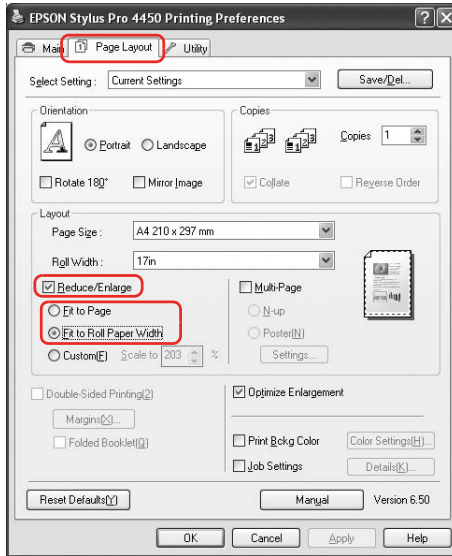
Note:

Roll Paper (Banner) can be used for an application that supports banner printing.

4. Click Roll Paper Option, and then select Normal Cut or Off from the Auto Cut list.



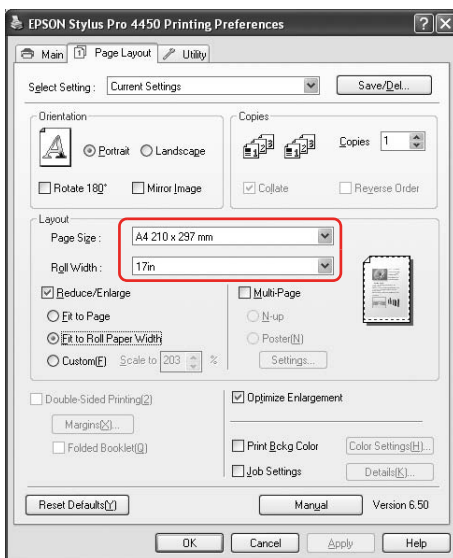
- Click the Page Layout tab, and select Reduce/Enlarge, and then select Fit to Page or Fit to Roll Paper Width.



Note:

If you are using an application that supports banner printing, you do not need to make Enlarge/Reduce setting if Roll Paper (Banner) is selected for the Source.

- Select the document size created using the application from the Page Size list and select the roll paper width set in the printer for the Roll Width.



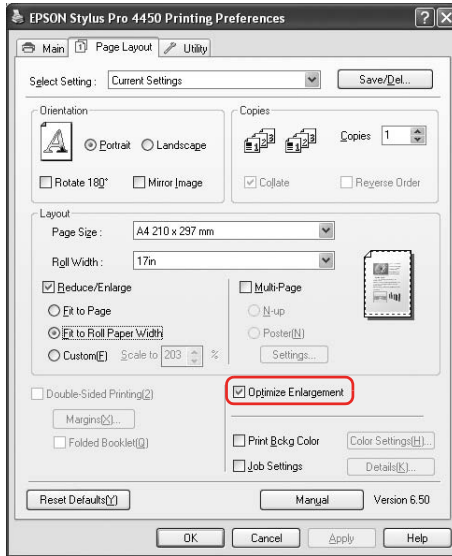
You can customize the paper size by selecting User Defined.

Paper width	89 to 432 mm
Paper height	127 to 15000 mm

Note:

If you are using an application that supports banner printing, you do not need to set the user-defined size if you select Roll Paper (Banner) for the Source.

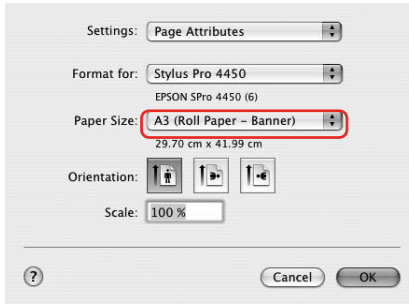
7. Select the paper size from the Output Paper list, and make sure the Optimize Enlargement check box is selected.



8. Check the other settings, and then start printing.

For Mac OS X

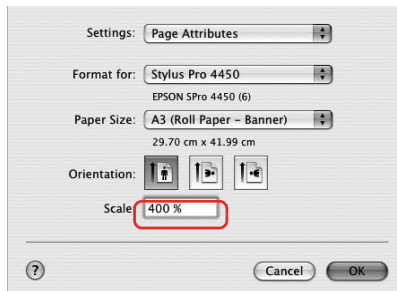
1. Open the Page Setup dialog.
See “Accessing the Printer Driver” on page 44.
2. Make sure your printer is selected, and select the document size created using the application.



You can also customize the paper size by selecting Manage Custom Sizes.

Paper width	89 to 432 mm
Paper height	127 to 15240 mm

3. Input a scale to reduce or enlarge the size of your data.



4. Check the other settings, and then start printing.

Printing with Non-Epson Media

When using the non-Epson media, make the paper settings according to the paper characteristics before printing. There are two ways to make settings and to print.

- ❑ Register the custom paper in the Menu mode using the printer's control panel, and print using the registered setting. See "Making the paper settings" on page 183.
- ❑ Make setting using the Paper Configuration dialog box in the printer driver.

Note:

- ❑ *Make sure to check the paper characteristics such as paper tension, ink fixing, or paper thickness before setting the custom paper. See the description that comes with the paper for information on the paper characteristics.*
- ❑ *The settings you make on the Paper Configuration dialog box have priority over the settings you make on the printer's control panel.*
- ❑ *You can register the custom paper or printer settings on your computer by using EPSON LFP Remote Panel. See the EPSON LFP Remote Panel online help for detailed information.*

If it does not print evenly on the custom paper you have registered, use unidirectional printing. Clear the High Speed check box in the printer driver.

Customize the Items of the Printer Driver

You can save the settings or change the display items as you prefer. You can also export the settings as a file and make the same printer driver settings to multiple computers.

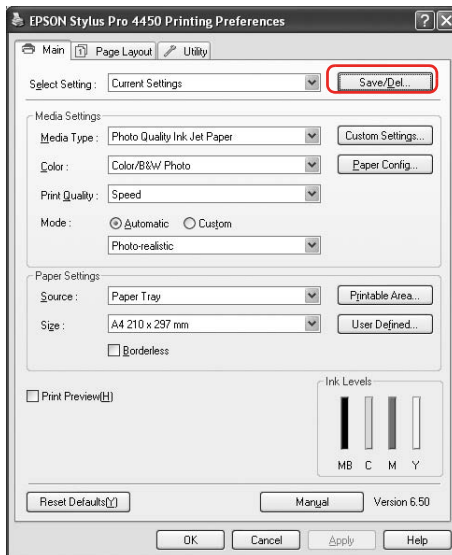
Saving the printer driver settings

You can save up to 100 settings.

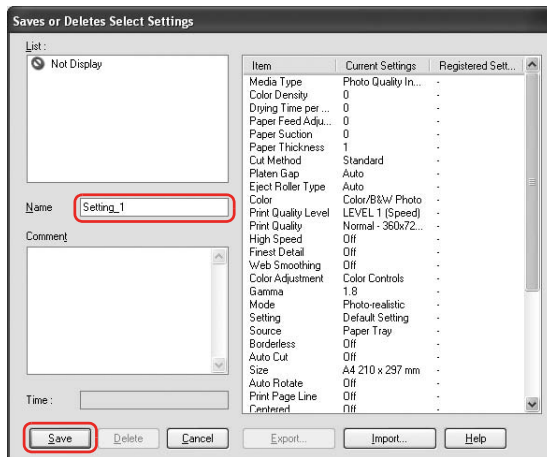
Saving as a favorite

You can save all the setting items of the printer driver.

1. Change the settings in the Main and Page Layout menu.
2. Click Save/Del... in the Main or Page Layout menu.



3. Enter the name in the Name box, and then click Save.

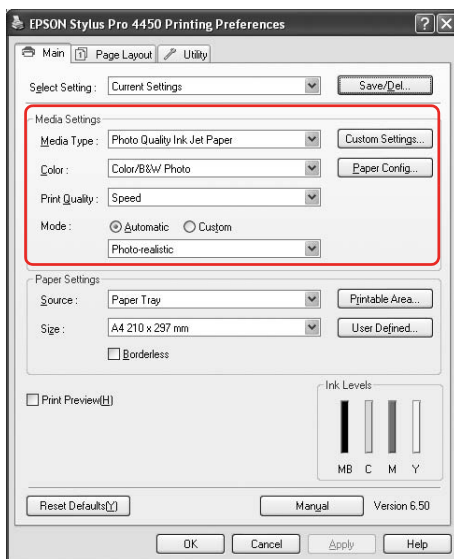


You can choose a setting you have registered from the Select Setting list box.

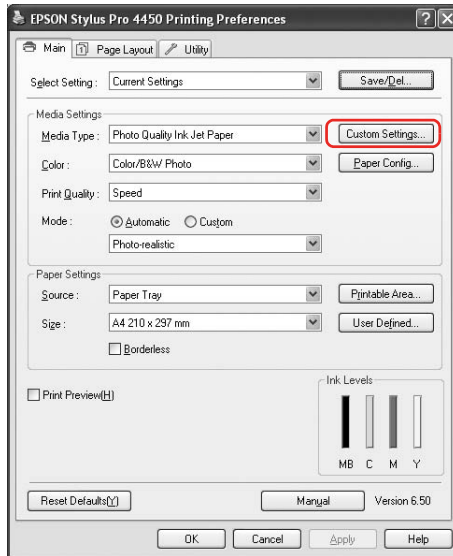
Saving as a custom media

You can save the items of the Media Settings in the Main menu.

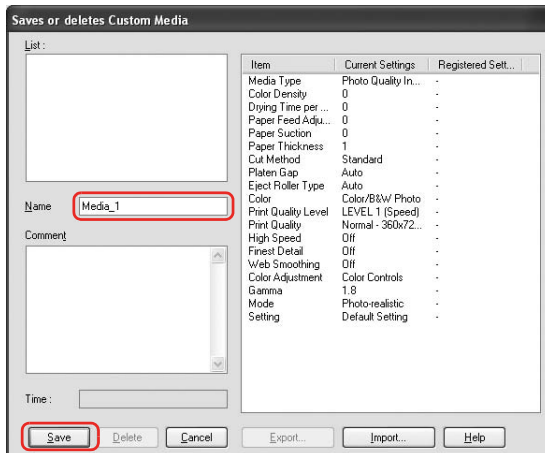
1. Change the Media Settings items in the Main menu.



2. Click Custom Settings.



3. Enter the name in the Name box, and then click Save.

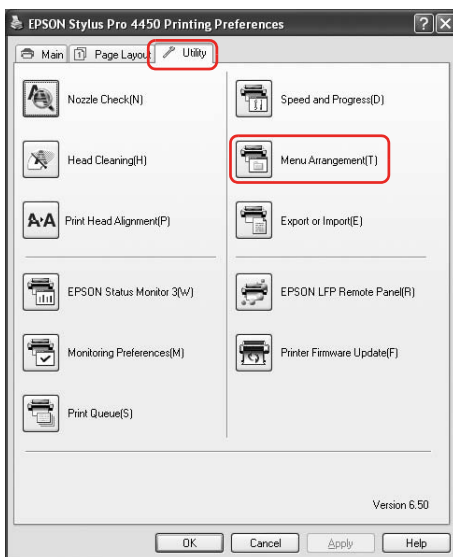


You can choose a setting you have registered from the Media Type list box.

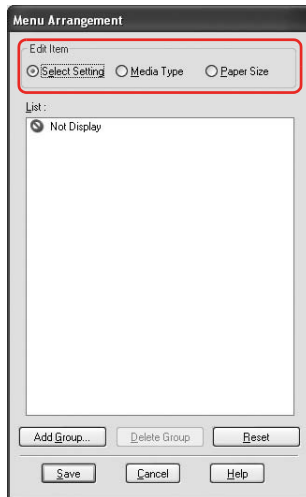
Menu arrangement

You can arrange the Select Setting, Media Type, and Paper Size items.

1. Click the Utility tab, and then click Menu Arrangement.

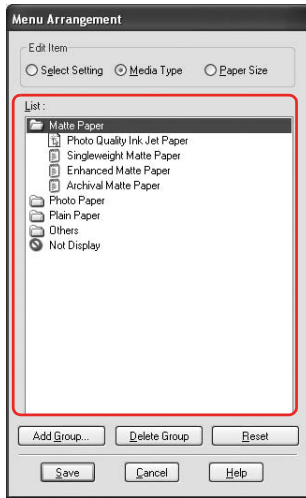


2. Select the edit item.



3. In the List box, arrange the items as you prefer, or classify the items into groups.
 - You can arrange the list items by drag-and-drop operation.
 - To add a new group, click Add Group.
 - To delete the group, click Delete Group.

- ❑ Move the unused items into the Not Display group.



Note:
You cannot delete the default items.

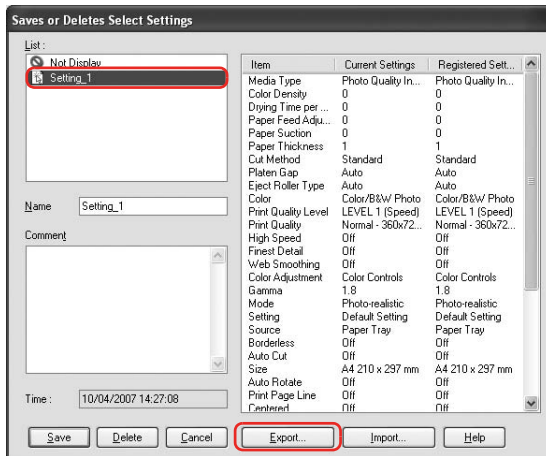
4. Click Save.

Exporting or Importing

You can export or import the settings you have registered as a file.

Exporting the settings

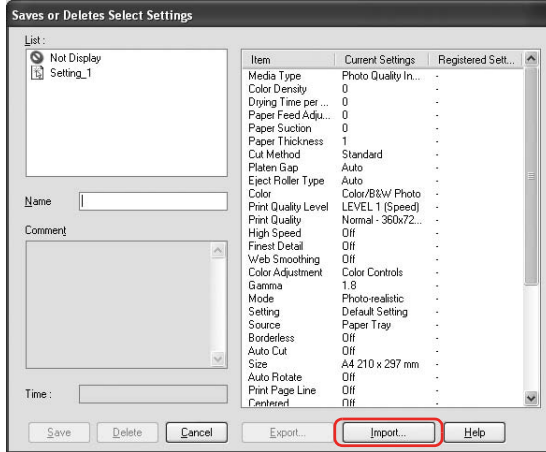
1. Open the Save or Deletes Select Settings dialog box or the Saves or deletes Custom Media dialog box.
2. Select the setting in the List box, and click Export.



3. Select the location, and enter the file name, and then click Save.

Importing the settings

1. Open the Save or Deletes Select Settings dialog box or the Saves or deletes Custom Media dialog box.
2. Click Import.

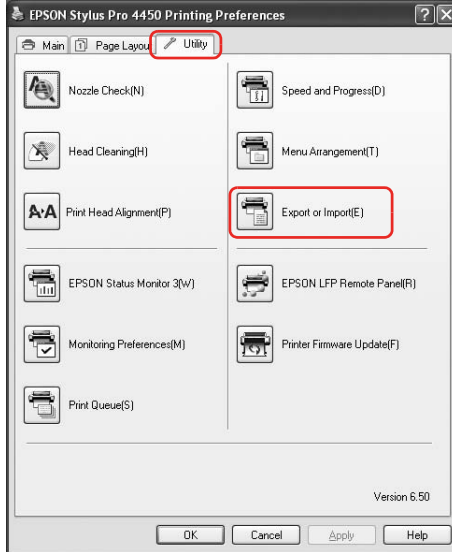


3. Select the file you want to import, and then click Open.

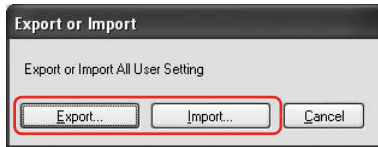
Exporting or importing all settings

You can export or import the all of the printer driver settings as a file.

1. Click the Utility tab, and then click Export or Import.



2. Click Export or Import.

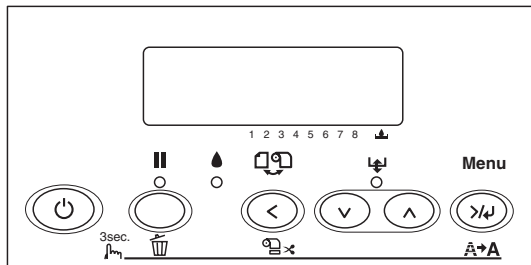


3. To export the setting, enter the file name and then click Save. To import the setting, select the file you want to import and then click Open.

The Control Panel

Buttons, Lights, and Messages

The control panel of the printer consists of 6 buttons, 3 lights, and a 32-character liquid crystal display (LCD).




Buttons

This section describes the functions of the buttons on the control panel.

Button		Description
1	Power button	Turns the printer on or off.
2	Pause button	Stops printing temporarily. Restarts printing if pressed when printer is in the pause mode. Clears print data in the printer memory if pressed and held for 3 seconds. The printer returns to the READY status when this button is pressed in Menu mode.



3	Paper Source button <	<p>Selects a paper source (Roll Auto Cut On ㉞ /Roll Auto Cut Off ㉟/Sheet □)</p> <p>Cuts the roll paper automatically after printing if pressed and held for 3 seconds when Roll Auto Cut On ㉞ is selected.</p> <p>Returns to the previous level when pressed in Menu mode.</p>
4	Paper Feed button ▼	<p>Feeds paper the in forward direction.</p> <p>Ejects the cut-sheet paper when Sheet □ is selected as the paper source.</p> <p>Feeds the roll paper before cutting it when Roll Auto Cut On ㉞ setting is selected as the paper source.</p> <p>Loads a sheet from the paper tray to the printing position automatically if Sheet □ is selected as the paper source.</p> <p>Selects a desired parameter from the selected item if pressed in Menu mode.</p> <p>Changes the parameters in forward order when selecting a desired parameter in Menu mode.</p>
5	Paper Feed button ▲	<p>Feeds paper in the reverse direction as much as the paper has been fed by using the Paper Feed button ▼.</p> <p>Note: If you have fed the paper forward by hand, you cannot feed the paper in the reverse direction by using this button.</p> <p>Loads a sheet from the paper tray to the printing position automatically if Sheet □ is selected as the paper source.</p> <p>Selects a desired parameter from the selected item if pressed in Menu mode.</p> <p>Changes the parameter in the reverse order when selecting a desired parameter in Menu mode.</p>


6	Menu button 	<p>Enters Menu mode.</p> <p>Enters PRINT STATUS MENU if pressed during printing.</p> <p>Selects a desired menu in forward order if pressed in Menu mode.</p> <p>Sets the selected parameter in the selected item in Menu mode.</p> <p>Executes the item if the selected item is for execution only.</p> <p>Cleans the print head if pressed and held for 3 seconds.</p>
---	---	---

Lights

This section describes the functions of the lights on the control panel.



The lights let you know the status of the printer and the type of an error when it occurs.

Light	Description
7	<p>Pause light (green)</p> <p></p> <p>On: The printer is in the pause mode.</p> <p>Flashing: The printer is printing. The printer is cleaning the print head. The printer is drying ink on the printed paper.</p> <p>Off: The printer is ready to print data.</p>
8	<p>Ink check light (red)</p> <p></p> <p>On: The installed ink cartridge is expended. The installed ink cartridges cannot be used with this printer. The maintenance tank is full.</p> <p>Flashing: The installed ink cartridge is nearly expended. The maintenance tank is nearly full.</p>

9	Paper check light (red) 	<p>On:</p> <p>No paper is loaded in the paper tray when Sheet □ is selected as the paper source. Roll paper is out when Roll Auto Cut On ◻ or Roll Auto Cut Off ◻ is selected as the paper source. The selected paper source (Roll Auto Cut On ◻ /Roll Auto Cut Off ◻/Sheet □) does not match the paper source in the printer driver. The paper lever is in the released position. The loaded paper is too thick for head cleaning.</p> <p>Flashing:</p> <p>Paper is jammed. Paper is not cut correctly after the print job when Roll Auto Cut On ◻ is selected as the paper source. Paper is not loaded straight. Paper is not detected. Cut sheet is not ejected correctly.</p>
---	--	---

Combination of buttons

This section describes the functions available when several buttons are pressed at the same time.

Buttons	Function
1. Power button  2. Pause button 	If the printer is turned on while you are pressing and holding the Pause button, the printer enters Maintenance mode.

Messages

This section describes the meaning of messages displayed on the LCD panel.

The messages are either status messages or error messages. For error messages, see “An error has occurred” on page 254.

Message	Description
READY	The printer is ready to print data.
PRINTING	The printer is processing data.
PLEASE WAIT	Wait until READY appears.
PAUSE	The printer is paused.
PRESS PAUSE BUTTON	Press the Pause button.
CUTTING	The printer is cutting the printout.
CHARGING INK	The printer is charging the ink delivery system.
RESET	The printer is being reset.
F/W UPDATING	The printer is updating the firmware.
UPDATE COMPLETE	The printer has completed update of the firmware.
POWER OFF	The printer is being turned off.
CLEANING	The printer is cleaning the ink tubes.

Menu Settings

When to use Menu mode

The Menu mode enables you to make printer settings similar to those you would normally make in the driver or software, as well as other additional settings — directly through the control panel.

Note:

- Some applications may send commands to the printer that override the Menu settings. If you are not getting the results you expect, check your application's settings.*

- To see the current Menu settings, print a status sheet.*

Menu list

Menu	Item	Parameter
"PRINTER SETUP" on page 158	"ROLL COUNTER or SHEET COUNTER" on page 158	-
	"PLATEN GAP" on page 159	NARROW, STANDARD, WIDE, WIDER, WIDEST
	"PAGE LINE" on page 159	ON, OFF
	"INTERFACE" on page 160	AUTO, USB, NETWORK
	"CODE PAGE" on page 160	PC437, PC850
	"PAPER MARGIN" on page 160	DEFAULT, T/B15 mm, T/B25 mm, 15 mm, 3 mm
	"PPR SIZE CHK" on page 162	ON, OFF
	"PPR ALIGN CHK" on page 162	ON, OFF
	"TIME OUT" on page 163	OFF, 30SEC, 60SEC, 180SEC, 300SEC
	"CUTTER ADJ" on page 163	EXEC
	"REFRESH MRGN" on page 163	ON, OFF
	"SHEET SIZE CK" on page 163	ON, OFF
	"AUTO NZL CK" on page 163	ON, OFF
	"AUTO CLEANING" on page 164	OFF, ON
	"QUIET CUT" on page 164	ON, OFF
"INIT SETTINGS" on page 164	EXEC	

"TEST PRINT" on page 164	"NOZZLE CHECK" on page 164	PRINT
	"STATUS CHECK" on page 164	PRINT
	"JOB INFO" on page 165	PRINT
	"CUSTOM PAPER" on page 165	PRINT
"PRINTER STATUS" on page 165	"VERSION" on page 165	Bxxxxx.yyyy.IBC
	"PRINTABLE PG" on page 165 (EPSON Stylus Pro 4880/4880C)	MK (or PK) xxxxxxxxPG
		C xxxxxxxxPG
		VM xxxxxxxxPG
		Y xxxxxxxxPG
		LK xxxxxxxxPG
		LC xxxxxxxxPG
		VLM xxxxxxxxPG
		LLK xxxxxxxxPG
	"PRINTABLE PG" on page 165 (EPSON Stylus Pro 4450)	MK xxxxxxxxPG
		C xxxxxxxxPG
		M xxxxxxxxPG
Y xxxxxxxxPG		

	"INK LEFT" on page 165 (EPSON Stylus Pro 4880/4880C)	MK (or PK) E*****F, E*****F, E***F, E**F, E*F, nn%
		C E*****F, E*****F, E***F, E**F, E*F, nn%
		VM E*****F, E*****F, E***F, E**F, E*F, nn%
		Y E*****F, E*****F, E***F, E**F, E*F, nn%
		LK E*****F, E*****F, E***F, E**F, E*F, nn%
		LC E*****F, E*****F, E***F, E**F, E*F, nn%
		VLME*****F, E*****F, E***F, E**F, E*F, nn%
		LLK E*****F, E*****F, E***F, E**F, E*F, nn%
	"INK LEFT" on page 165 (EPSON Stylus Pro 4450)	MK E*****F, E*****F, E***F, E**F, E*F, nn%
		C E*****F, E*****F, E***F, E**F, E*F, nn%
		M E*****F, E*****F, E***F, E**F, E*F, nn%
		Y E*****F, E*****F, E***F, E**F, E*F, nn%
	"MAINT TANK" on page 166	E*****F, E*****F, E*****F, E**F, E*F, nn%, 0%
	"USAGE COUNT" on page 166	INK xxxxx. xml
PPR xxxxx. xcm		
"USE COUNT CLR" on page 166	INK EXEC	
	PAPER EXEC	
"JOB HISTORY" on page 166	No. 0-No. 9	
"JOB HSTRY CLR" on page 166	EXEC	

	"TOTAL PRINTS" on page 167	nnnnnn
	"SERVICE LIFE" on page 167	CUTTER E*****F, E*****F, E*****F, E**F, E*F, EF
		CR MOTOR E*****F, E*****F, E*****F, E**F, E*F, EF
		PF MOTOR E*****F, E*****F, E*****F, E**F, E*F, EF
		HEAD UNIT E*****F, E*****F, E*****F, E**F, E*F, EF
		CLEANING UNIT E*****F, E*****F, E*****F, E**F, E*F, EF
	"EDM AGENT" on page 167	NOT STARTED, ENABLED, DISABLED LAST UPLOADED MM/DD/YYHH:MM GMT, (NOT UPLOADED)

"CUSTOM PAPER" on page 168	"PAPER NUMBER" on page 168	STANDARD, 1-10
	"PLATEN GAP" on page 168	NARROW, STANDARD, WIDE, WIDER
	"THICKNESS PAT" on page 169	PRINT
	"THICKNESS NUM" on page 169	1 - 16
	"CUT METHOD" on page 169	STANDARD, THIN PAPER, THICK, FAST, THICK, SLOW
	"PPR FEED ADJ" on page 169	-0.70% - 0.70%
	"EJECT ROLLER" on page 169	AUTO, SHEET, ROLL CURLED, ROLL NORMAL
	"DRYING TIME" on page 170	0.0 SEC- 10.0 SEC
	"SUCTION" on page 170	STANDARD, -1, -2, -3, -4
	"M/W ADJ" on page 170	STANDARD, 1, 2
"MAINTENANCE" on page 170	"CUTTER REPL" on page 170	EXEC
	"BK INK CHANGE" on page 170	EXEC
	"PWR CLEANING" on page 170	Y, N
	"CLOCK SETTING" on page 170	YY/MM/DD HH:MM MM/DD/YY HH:MM
"HEAD ALIGNMENT" on page 171	"PAPER THKNS" on page 171	STD, 0.1 mm - 1.6 mm
	"ALIGNMENT" on page 171	AUTO, MANUAL

"NETWORK SETUP" on page 171	"NETWORK SETUP" on page 171	DISABLE, ENABLE
	"IP ADDRESSSETTING" on page 171	AUTO, PANEL
	"IP, SM, DG SETTING" on page 172	IP ADDRESS 000.000.000.000 - 192.168.192.168 - 255.255.255.255 SUBNET MASK 000.000.000.000 - 255.255.255.000 - 255.255.255.255 DEFAULT GATEWAY 000.000.000.000 - 255.255.255.255
	"BONJOUR" on page 172	ON, OFF
	"INIT NETWORK SETTING" on page 172	EXECUTE
"CUTTERREPLACE" on page 172	EXEC	-

Basic Menu setting procedure

This section describes how to enter Menu mode and make settings with the buttons on the control panel.

Note:

- ❑ *Press the Pause **||** button whenever you want to exit Menu mode and return to the READY status.*
- ❑ *Press the Paper Source **<** button to return to the previous step.*

1. Enter Menu mode

Make sure that READY appears on the LCD panel, and then press the Menu **>|/** button. The first menu appears on the LCD panel.

2. Select a menu

Press the Paper Feed **v** or Paper Feed **^** button to select a desired menu.

3. Set the menu

Press the Menu **>|/** button to set the selected menu. The first item appears on the LCD panel.

4. Select an item

Press the Paper Feed **v** or Paper Feed **^** button to select a desired item.

5. Set the item

Press the Menu **>|/** button to enter the selected item. The first parameter appears on the LCD panel.

6. Select a parameter

Press the Paper Feed **v** or Paper Feed **^** button to select a parameter for the item.

7. **Set the parameter**

Press the Menu >↵ button to store the selected parameter. If the parameter is for execution only, press the Menu >↵ button to execute the function for the item.

After execution, the printer exits Menu mode and returns to the READY status.

8. **Exit Menu mode**

Press the Pause ■■ button. The printer returns to the READY status.

Details of Menu mode

PRINTER SETUP

This menu contains the following items.

ROLL COUNTER or SHEET COUNTER

You can get a message when there is not much paper left, by setting the roll alert or sheet alert.

When using roll paper, enter the length of roll paper set in the printer and the alert value.

When using cut-sheet paper, enter the number of cut sheets set in the printer and the alert value.

Note:

This setting is available only when you select Roll Paper or Cut Sheet for PAPER COUNTER in Maintenance mode.

PLATEN GAP

You can adjust the distance between the print head and paper. Normally, leave this set to STANDARD. If you find that printed images are smeared, select WIDE or WIDER. Select NARROW for printing on thin paper, or WIDEST for printing on thick paper.

Note:

The setting will return to STANDARD after you turn the printer on and off.

PAGE LINE

You can select whether to print the page line (line along which to cut off) on roll paper. Select ON if you want to print the page line, or OFF otherwise.

This operation changes according to the Auto Cut settings.

Paper Source	Print Page Line	Printer's Operation
Roll Auto Cut On ☐%	On	Prints a page line on the right side only, and cuts paper automatically after the print job.
Roll Auto Cut On ☐%	Off	Does not print any page lines, and cuts paper automatically after the print job.
Roll Auto Cut Off ☐	On	Prints page lines on the right side and below the data, but does not cut paper automatically after the print job.
Roll Auto Cut Off ☐	Off	Does not print any page lines and does not cut paper.

Note:

When Sheet ☐ is selected as the paper source, this setting is not available.

INTERFACE

You can select an interface to receive your print data. When you select **AUTO**, the printer automatically switches between interfaces, depending on which one is receiving data first. When you select **USB** or **NETWORK**, only the selected interface receives your print data. If no more print job is received, the printer returns to an idle state after 10 seconds or more.

CODE PAGE

You can select a code page: **PC437** (extended graphics) or **PC850** (multilingual).

PAPER MARGIN

You can select margins for roll paper: **DEFAULT**, **T/B 15 mm**, **T/B 25 mm**, **15 mm**, or **3 mm**.

Margin settings	Top	Bottom	Left/Right
DEFAULT	See the list below.		3 mm
T/B 15 mm	15 mm	15 mm	3 mm
T/B 25 mm	25 mm	25 mm	3 mm
15 mm	15 mm	15 mm	15 mm
3 mm	3 mm	3 mm	3 mm

The following table shows the default paper margin for the paper.

Roll Paper	Top/Bottom	Left/Right
Plain Paper Singleweight Matte Paper Enhanced Matte Paper Premium Luster Photo Paper (260) Photo Paper Gloss 250 Premium Glossy Photo Paper (170) Premium Semigloss Photo Paper (170) Epson Proofing Paper White Semimatte Epson Proofing Paper Publication Textured Fine Art Paper UltraSmooth Fine Art Paper	15 mm	3 mm
Premium Glossy Photo Paper (250) Premium Semigloss Photo Paper (250)	20 mm	3 mm

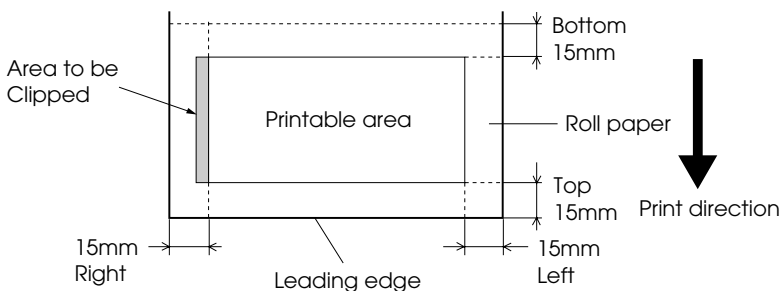
Note:

- When you set the margin once, the margin applies to all media. To change the paper margin, select the target margin setting again.
- Try T/B 25 mm if the top or bottom areas are smeared.

When you select a paper margin setting other than **DEFAULT**, the following number appears on the right side of the paper mark on the printer's control panel.

Margin settings	Number
T/B 15 mm	1
T/B 25 mm	2
15 mm	1
3 mm	0

When the same data is printed with a 3 mm margin and a 15 mm margin and compared, you may notice that part of the right side of the 15 mm margin image is not printed.



PPR SIZE CHK

When you select **ON**, the printer stops printing if the width of paper loaded in the printer does not match the data width. When you select **OFF**, the printer continues to print even if the paper width does not match the data, and the printer may print beyond the paper.

Note:

When you load the paper using the manual feed slot, select **ON**.

PPR ALIGN CHK

When you select **ON**, if the paper is not straight, **PAPER NOT STRAIGHT** appears on the LCD panel and the printer stops printing. When you select **OFF**, a paper align error does not occur even if the printed data is out of range of the paper, and the printer continues to print.

TIME OUT

The setting range is 30 to 300 seconds. If the cable of your printer is unplugged or your printer hangs up for more than the set time range, the print job is cancelled and the printer starts paper feed.

CUTTER ADJ

You can adjust the paper cutting position when printing with a top and bottom margin of zero. This function prints cutter adjustment patterns and you can select the appropriate cutting position from them.

REFRESH MRGN

When you select **ON**, the printer cuts an extra print area after borderless printing is used automatically.

SHEET SIZE CK

When you select **ON**, if the size of the cut-sheet paper loaded in the printer does not match the size of data, the printer stops printing and **WRONG PAPER SIZE** appears on the printer's control panel. When **OFF** is selected, the printer continues to print even if the size of the cut-sheet paper does not match the data, and the printer may print beyond the paper.

AUTO NZL CK

When you select **ON**, the printer performs a nozzle check before printing, for each print job.

Note:

- Do not select **ON** if you are using non-Epson special media, or if the width of paper you are using is less than 210 mm.
- This setting is available only when you select **ON** for **AUTO CLEANING**.

AUTO CLEANING

When you select **ON** and perform a nozzle check from the printer driver or the control panel, the printer not only checks for clogged nozzles, but also performs head cleaning automatically.

Note:

*Do not select **ON** if you are using non-Epson special media, or if the width of paper you are using is less than 210 mm.*

QUIET CUT

When you select **ON**, the printer cuts the printout slowly to decrease the cutting noise and paper particles.

INIT SETTINGS

You can return all setting values you have made in the **PRINTER SETUP** to their factory set value.

TEST PRINT

This menu contains the following items.

NOZZLE CHECK

You can print a print head nozzle check pattern for each ink cartridge. From the printing results, you can check whether the nozzles are delivering ink properly. For details, see “Checking the print head nozzles” on page 173.

Note:

You can print a nozzle check pattern using the Utility menu in the printer software. For Windows, see “Using the Printer Utilities” on page 31. For Mac OS X, see “Using Printer Utilities” on page 53.

STATUS CHECK

You can print the current Menu status. For details, see “Printing a status sheet” on page 186.

JOB INFO

You can print the job information saved in the printer (up to 10 jobs).

CUSTOM PAPER

You can print information that you have registered.

PRINTER STATUS

This menu contains the following items.

VERSION

You can see the firmware version.

PRINTABLE PG

You can see the number of pages printable for each ink cartridge.

INK LEFT

You can see the amount of ink left in each ink cartridge.

E ***** F (100-81%)

E ***** F (80-61%)

E *** F (60-41%)

E ** F (40-21%)

E * F (20-11%)

nn% (less than 10%)

0% (ink end)

MAINT TANK

You can see the free capacity of the Maintenance tank.

E *****	F	(100-81%)
E *****	F	(80-61%)
E ***	F	(60-41%)
E **	F	(40-21%)
E *	F	(20-11%)
nn%		(less than 10%)
0%		(maintenance tank full)

USAGE COUNT

You can see the ink consumption in milliliters and paper consumption amount in centimeters.

Note:

Values shown in USAGE COUNT are rough indications.

USE COUNT CLR

You can clear the values set in USAGE COUNT.

JOB HISTORY

You can see ink consumption (INK) in milliliters, paper consumption (PAPER) in cm², and the time required for a print job (PRINT TIME) in seconds for each print job saved in the printer. The latest job is saved as No. 0.

JOB HSTRY CLR

You can clear the job history in the printer.

TOTAL PRINTS

You can see the total amount of pages you have printed.

SERVICE LIFE

You can see the service life of each consumable.

CUTTER	You can see the cutter life. Note: Values displayed on the LCD panel are rough indications.
CR MOTOR	For maintenance service person only
PF MOTOR	For maintenance service person only
HEAD UNIT	For maintenance service person only
CLEANING UNIT	For maintenance service person only

EDM AGENT

You can see if the EDM is enabled or disabled. If the EDM is enabled, the time that the EDM status was last uploaded is displayed.

CUSTOM PAPER

This menu contains the following items. To make the paper setting, see “Making the paper settings” on page 183.

PAPER NUMBER

When you select **STANDARD**, the printer determines paper thickness automatically. You can also select **No. X** (X can be any number between 1 to 10) to register the following settings or to recall the following settings you have made.

- Platen gap
- Thickness pattern
- Thickness number
- Cut method
- Paper feed adjustment
- Eject roller type
- Drying time
- Suction
- MicroWeave adjustment

Note:

*If you select **STANDARD**, the printer prints data according to the driver settings. If you select **No. X**, the control panel settings override the driver settings unless you select **AUTO** in **THICKNESS NUM**.*

PLATEN GAP

You can adjust the distance between the print head and paper. Normally, leave this set to **STANDARD**. If you find that printed images are smeared, select **WIDE**. Select **NARROW** for printing on thin paper, or **WIDER** for printing on thick paper.

Note:

*The setting will return to **STANDARD** after you turn the printer on and off.*

THICKNESS PAT

You can print the paper thickness detection pattern. If you select STANDARD in PAPER NUMBER, the pattern is not printed.

THICKNESS NUM

If you use Epson special media, normally select AUTO. If you use non-Epson special media, check the paper thickness detection pattern, and then enter the number for the print pattern with the smallest gap.

CUT METHOD

You can specify a cutting method: STANDARD, THIN PAPER, THICK, FAST, or THICK; SLOW.

PPR FEED ADJ

You can set the paper feed amount. The range is -0.70 to 0.70%.

EJECT ROLLER

You can select AUTO, SHEET, ROLL CURLED, or ROLL NORMAL.

AUTO	The printer selects the most appropriate setting automatically. When you use Epson special media, usually select this setting.
SHEET	If you want to print on cut-sheet paper that is non-Epson special media, select this setting.
ROLL CURLED	If you want to print on strongly curled roll paper that is non-Epson special media, select this setting. Note: Make sure that the ink is dry enough on the paper before the roller touches the media; otherwise, the ink will soil the roller surface, which stamps on the prints.
ROLL NORMAL	If you want to print on roll paper that is non-Epson special media, select this setting. When roll paper is selected for the printer, this parameter is selected and no feed roller is used. If you select this parameter while using cut sheets, you need to eject the cut-sheet paper one by one.

DRYING TIME

You can set the ink drying time for each print head pass. The range is 0 to 10 seconds.

SUCTION

You can set the suction pressure used to feed the printed-paper. Select STANDARD, -1, -2, -3, or -4.

M/W ADJ

You can adjust the MicroWeave mode. The setting range is STANDARD, 1 and 2. Increase the value to give priority to the print speed, or decrease it to give priority to the print quality.

MAINTENANCE

This menu contains the following items.

CUTTER REPL

You can see the procedure used to replace the paper cutter. Follow the instructions on the LCD panel.

BK INK CHANGE

You can change the black ink according to your purpose. You can choose either Matte Black or Photo Black. See “Converting the Black Ink Cartridges” on page 231 for details.

PWR CLEANING

You can use this function to clean the print head more effectively than normal head cleaning.

CLOCK SETTING

You can set year, month, date, hour, and minute.

HEAD ALIGNMENT

This menu contains the following items.

PAPER THKNS

You can adjust the thickness of the paper to use. If you use Epson special media and its paper thickness is 0.2 mm or 1.2 mm, select **STD**. If you use non-Epson special media, enter the paper thickness in the range of 0.1 to 1.6 mm.

ALIGNMENT

You can correct any head misalignment to obtain optimum printing results. For details, see “Aligning the print head” on page 175.

NETWORK SETUP

This menu contains the following items. For detailed information about network settings, see the Administrator’s Guide.

NETWORK SETUP

You can configure the network setting of the printer. The following items appear only when **ENABLE** is selected.

IP ADDRESS SETTING

You can select the method to set the IP address to the printer. When **AUTO** is selected, **IP**, **SM**, **DG SETTING** is not displayed. Select **PANEL** to set these addresses using the printer’s control panel.

Choose **PANEL** when setting the IP address, subnet mask, and default gateway using the printer's control panel.

Choose **AUTO** when getting the IP address from a DHCP server. The IP address is automatically obtained from the DHCP server whenever the printer is reset or turned on.

IP, SM, DG SETTING

You can set the IP address, Subnet Mask, and Default Gateway to the printer.

BONJOUR

You can set the Bonjour settings of the printer.

INIT NETWORK SETTING

You can return the network settings of the printer to the factory default value.

CUTTER REPLACE

You can see the procedure used to replace the paper cutter. Follow the instructions on the LCD panel.

Checking the print head nozzles

To find out if nozzles are delivering ink properly, you can print a nozzle check pattern. If the nozzles are not delivering ink properly, missing dots will be evident in the print pattern. To print a nozzle check pattern, follow the steps below.

Note:

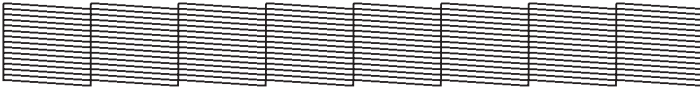
- ❑ *If you want to perform an auto nozzle check before printing for each print job, select **ON** for AUTO CLEANING and then select **ON** for AUTO NZL CK.*
- ❑ *Before you start printing your data, make sure that nozzle check pattern printing is complete; otherwise, the print quality may decline.*

1. Make sure that paper is loaded in the printer.
2. Press the Menu **>** button to enter Menu mode.
3. Press the Paper Feed **v** or Paper Feed **^** button to display TEST PRINT, and then press the Menu **>** button.
4. Press the Paper Feed **v** or Paper Feed **^** button to display NOZZLE CHECK.
5. Press the Menu **>** button to display PRINT.
6. Press the Menu **>** button again to start printing a nozzle check pattern.

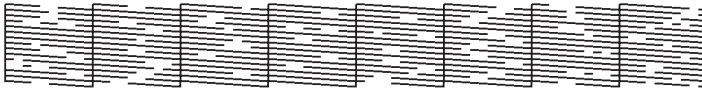
After a nozzle check pattern is printed, the printer exits Menu mode and returns to the READY status.

Nozzle check pattern examples:

good



head cleaning necessary



If you find that any dots are missing from the test lines in the pattern, you need to clean the print heads. Press the Menu \blacktriangleright button for more than 3 seconds or access the Head Cleaning utility software. For Windows, see “Using the Printer Utilities” on page 31. For Mac OS X, see “Using Printer Utilities” on page 53.

Aligning the print head

To prevent deterioration of print quality caused by misalignment of the print head, align the print head before you start printing your data. You can align the print head either manually or automatically. Try the automatic print head alignment first. If the print head is still misaligned, try to perform the print head alignment manually.

Aligning the print head automatically

1. Make sure that paper is loaded in the printer.

Note:

For best results in printing the head alignment pattern, use the same media that one you normally use to print your data.

2. Press the Menu \triangleright button to enter Menu mode.
3. Press the Paper Feed ∇ or Paper Feed \blacktriangle button to display HEAD ALIGNMENT, and then press the Menu \triangleright button.
4. When PAPER THKNS appears, press the Menu \triangleright button.
5. Press the Paper Feed ∇ or Paper Feed \blacktriangle button to select STD or a paper thickness value between 0.1 mm and 1.6 mm. When the paper thickness value is 0.2 mm or 1.2 mm, select STD. Otherwise, select the actual paper thickness value.
6. Press the Menu \triangleright button to register your value.
7. Press the Paper Source button \blacktriangleleft , then press the Paper Feed ∇ button.
8. When ALIGNMENT appears on the lower row on the LCD panel, press the Menu \triangleright button.
9. Press the Menu \triangleright button to select AUTO, and press the Paper Feed ∇ or Paper Feed \blacktriangle button to select EI-D 2-COLOR.

10. Press the Menu > button, and the printer starts printing. After printing is complete, the head alignment starts automatically.

If you are not satisfied with the result of BI-D 2-COLOR alignment, press the Paper Source < button to return to the previous level, and then select BI-D ALL.

If you are not satisfied with the result of BI-D ALL alignment, try UNI-D.

You can also align the print head individually by selecting #1, #2, or #3. Select an ink dot size from #1 to #3 depending on the media you use and the print mode you want to try. The table below illustrates which parameter is available for the media type and print quality. For Print Quality, refer to the printer driver.

11. Press the Pause ■ button to return to the READY status.

Ink dot size

EPSON Stylus Pro 4880/4880C for Windows:

Media Type	Print Quality							
	A	B	C	Quality Options (LEVEL)				
				1	2	3	4	5
Premium Luster Photo Paper (260) Premium Glossy Photo Paper (250) Premium Semigloss Photo Paper (250) Premium Glossy Photo Paper (170) Premium Semigloss Photo Paper (170) Photo Paper Gloss 250 Epson Proofing Paper White Semimatte Epson Proofing Paper Publication Epson Proofing Paper Commercial	#2	#3	#3	-	-	#2	#3	#3
Premium Glossy Photo Paper Premium Semigloss Photo Paper Premium Luster Photo Paper Velvet Fine Art Paper Textured Fine Art Paper UltraSmooth Fine Art Paper	-	#3	#3	-	-	-	#3	#3
Singleweight Matte Paper Photo Quality Ink Jet Paper Singleweight Matte Paper (line drawing)	#1	#2	#3	-	#1	#2	#3	-
Enhanced Matte Paper Archival Matte Paper	#2	#3	#3	-	#1	#2	#3	#3
Watercolor Paper - Radiant White	#2	#3	-	-	-	#2	#3	-
Plain Paper	#1	#2	-	#1	#1	#2	#2	-
Plain Paper (line drawing)	#1	#2	-	-	#1	#2	#2	-
Tracing Paper	#1	#2	-	-	#1	-	#2	-

* Print Quality A: Speed, B: Quality, C: Max Quality

EPSON Stylus Pro 4880/4880C for Mac OS X:

Media Type	Automatic			Advanced Settings (Print Quality)				
	A	B	C	D	E	F	G	H
Premium Luster Photo Paper (260) Premium Glossy Photo Paper (250) Premium Semigloss Photo Paper (250) Premium Glossy Photo Paper (170) Premium Semigloss Photo Paper (170) Photo Paper Gloss 250 Epson Proofing Paper White Semimatte Epson Proofing Paper Publication Epson Proofing Paper Commercial	#2	#3	#3	-	-	#2	#3	#3
Premium Glossy Photo Paper Premium Semigloss Photo Paper Premium Luster Photo Paper Velvet Fine Art Paper Textured Fine Art Paper UltraSmooth Fine Art Paper	#3	-	#3	-	-	-	#3	#3
Singleweight Matte Paper Photo Quality Ink Jet Paper Singleweight Matte Paper (line drawing)	#1	#2	#3	-	#1	#2	#3	-
Enhanced Matte Paper Archival Matte Paper	#2	#3	#3	-	#1	#2	#3	#3
Watercolor Paper - Radiant White	#2	-	#3	-	-	#2	#3	-
Plain Paper	#1	-	#2	#1	#1/ #2**	#2	-	-
Plain Paper (line drawing)	#1	-	#2	-	#1/ #2**	#2	-	-
Tracing Paper	#1	-	#2	-	#1	#2	-	-

* Print Quality A: Speed, B: (Medium), C: Quality, D: Draft, E: Normal, F: Fine, G: SuperFine, H: SuperPhoto

** When Super MicroWeave of the printer driver is selected, select #2. When Super Microweave is not selected, select #1.

EPSON Stylus Pro 4450 for Windows:

Media Type	Print Quality							
	A	B	C	Quality Options (LEVEL)				
				1	2	3	4	5
Photo Quality Ink Jet Paper Singleweight Matte Paper Enhanced Matte Paper Archival Matte Paper	#1	#2	#2	#1	#2	#2	#3	#3
Premium Glossy Photo Paper (170) Premium Semigloss Photo Paper (170)	#2	#2	#3	-	#2	#2	#3	#3
Plain Paper	#1	-	#2	#1	#1	#2	#2	#2
Plain Paper (line drawing)	#1	-	#2	-	#1	#2	#2	-
Singleweight Matte Paper (line drawing)	#1	-	#2	#1	#2	-	#3	-
Tracing Paper	#1	-	#2	-	#1	-	#2	-

* Print Quality A: Speed, B: Production, C: Quality

EPSON Stylus Pro 4450 for Mac OS X:






Media Type	Automatic			Advanced Settings (Print Quality)				
	A	B	C	D	E	F	G	H
Photo Quality Ink Jet Paper Singleweight Matte Paper Enhanced Matte Paper Archival Matte Paper	#1	#2	#2	-	#1	#2	#3	-
Premium Glossy Photo Paper (170) Premium Semigloss Photo Paper (170)	#2	#2	#3	-	-	#2	#3	-
Plain Paper	#1	-	#2	#1	#1/ #2**	#2	-	-
Plain Paper (line drawing)	#1	-	#2	-	#1/ #2**	#2	-	-
Singleweight Matte Paper (line drawing)	#1	-	#2	-	#1	#2	#3	-
Tracing Paper	#1	-	#2	-	#1	#2	-	-

* Print Quality A: Speed, B: (Medium), C: Quality, D: Draft, E: Normal, F: Fine, G: SuperFine, H: SuperPhoto

** When Super MicroWeave of the printer driver is selected, select #2. When Super Microweave is not selected, select #1.

Aligning the print head manually

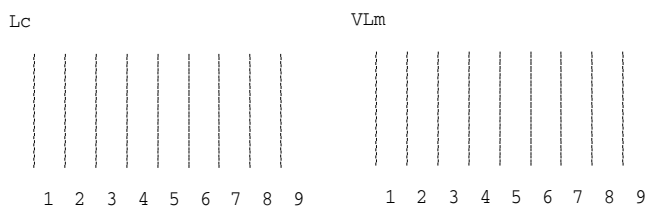
If you are not satisfied with the result of the automatic head alignment, you can perform the head alignment manually. To perform head alignment manually, follow the steps below.

1. Press the Menu  button to enter Menu mode.
2. Press the Paper Feed  or Paper Feed  button to display HEAD ALIGNMENT, and press the Menu  button.
3. When PAPER THKNS appears, press the Menu  button.

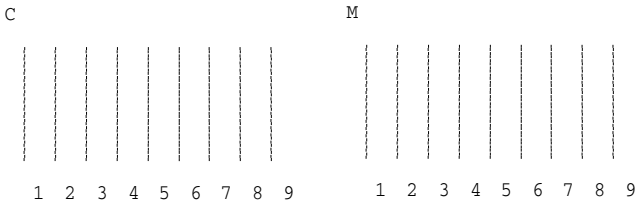
4. Press the Paper Feed ∇ or Paper Feed \blacktriangle button to select STD or paper thickness value between 0.1 mm and 1.6 mm. When the paper thickness value is 0.2 mm or 1.2 mm, select STD. Otherwise, select the actual paper thickness value.
5. Press the Menu \blacktriangleright button to register your value.
6. Press the Paper Source button \blacktriangleleft , then press the Paper Feed ∇ button.
7. When ALIGNMENT appears on the lower row on the LCD panel, press the Menu \blacktriangleright button.
8. Press the Menu \blacktriangleright button to select MANUAL, and press the Paper Feed ∇ or Paper Feed \blacktriangle button to select BI-D 2-COLOR.
9. Press the Menu \blacktriangleright button, and the printer starts printing.

Head alignment pattern examples:

EPSON Stylus Pro 4880/4880C:



EPSON Stylus Pro 4450:



10. After printing is finished, the pattern number and current set number are displayed. Select the set that has the smallest gaps, and then press the Paper Feed ∇ or Paper Feed \blacktriangle button to display the number for that set.
11. Press the Menu $\blacktriangleright/\blacktriangleleft$ button to register the set number. The next pattern number appears. Then repeat step 10.

If you are not satisfied with the result of this alignment, press the Paper Source \blacktriangleleft button to return to the previous level, and then select BI-D ALL.

If you are not satisfied with the result of BI-D ALL alignment, try UNI-D.

12. After you set the patterns, press the Pause \blacksquare button to return to the READY status.

Making the paper settings

You can register and recall your own paper settings according to any media.

The paper settings you can make are:

- Platen gap
- Thickness pattern
- Thickness number
- Cut method
- Paper feed adjustment
- Eject roller type
- Drying time
- Suction
- MicroWeave adjustment

Registering the settings

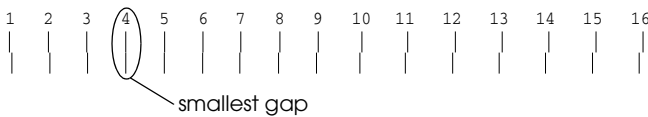
To register the paper settings, follow the steps below.

1. Load the paper that you want to check.
2. Press the Menu \triangleright button to enter Menu mode.
3. Press the Paper Feed ∇ or Paper Feed \blacktriangle button to display CUSTOM PAPER.
4. Press the Menu \triangleright button to display PAPER NUMBER.
5. Press the Menu \triangleright button, and then press the Paper Feed ∇ or Paper Feed \blacktriangle button to select STANDARD or the number (No. 1 to No. 10) you want to register as the setting.

If you use Epson special media, select STANDARD, and then go to the step 9. You do not need to make the paper thickness setting because STANDARD automatically determines the paper thickness.

6. Press the Menu \triangleright button to display `PLATEN GAP`, and then press the Paper Feed ∇ or Paper Feed \blacktriangle button to select `NARROW`, `STANDARD`, `WIDE`, or `WIDER`.
7. Press the Menu \triangleright button to save the selected platen gap setting, and `THICKNESS PAT` appears on the LCD panel.
8. Press the Menu \triangleright button again to print the paper thickness test printing pattern.

Paper thickness test pattern example:



9. Examine the printed pattern to determine which set of lines are aligned (showing the smallest gap), and note the corresponding number.
10. After the pattern is printed, `THICKNESS NUM` appears. Press the Paper Feed ∇ or Paper Feed \blacktriangle button to select the number noted in step 9.
11. Press the Menu \triangleright button to save the selected value.
12. `CUT METHOD` appears. Press the Paper Feed ∇ or Paper Feed \blacktriangle button to select `STANDARD`, `THICK`, `SLOW`, `THICK`, `FAST`, or `THIN PAPER`, and then press the Menu \triangleright button.
13. `PPR FEED ADJ` appears. Press the Paper Feed ∇ or Paper Feed \blacktriangle button to set the paper feed amount, and then press the Menu \triangleright button.
14. `EJECT ROLLER` appears. Select `AUTO`, `SHEET`, `ROLL CURLED`, or `ROLL NORMAL`, and then press the Menu \triangleright button.

15. DRYING TIME appears. Press the Paper Feed ∇ or Paper Feed \blacktriangle button to select the time in seconds, and then press the Menu \blacktriangleright button.
16. SUCTION appears. Press the Paper Feed ∇ or Paper Feed \blacktriangle button to select STANDARD, -1, -2, -3, or -4.
17. M/W ADJ appears. Press the Paper Feed ∇ or Paper Feed \blacktriangle button to adjust MicroWeave. Increase the value to give priority to the print speed, or decrease it to give priority to the print quality.
18. Press the Menu \blacktriangleright button to save the selected value.

Selecting the registered settings

To select the registered settings, follow the steps below.

1. Press the Menu \blacktriangleright button to enter Menu mode.
2. Press the Paper Feed ∇ or Paper Feed \blacktriangle button to display CUSTOM PAPER, and then press the Menu \blacktriangleright button.
3. Press the Paper Feed ∇ or Paper Feed \blacktriangle button to display PAPER NUMBER, and then press the Menu \blacktriangleright button.
4. Press the Paper Feed ∇ or Paper Feed \blacktriangle button to select the number registered that you want to use. If you select STANDARD, the printer prints data according to the driver settings. If you select No. X, the control panel settings override the driver settings.
5. Press the Menu \blacktriangleright button. If you select No. X, the number you selected appears on the LCD panel.
6. Press the Pause \blacksquare button to exit Menu mode.

Printing a status sheet

In Menu mode, you can print a status sheet to see the current default values. To print a status sheet, follow the steps below.

1. Make sure that paper is loaded in the printer.
2. Press the Menu \triangleright button to enter Menu mode.
3. Press the Paper Feed ∇ or Paper Feed \blacktriangle button to display TEST PRINT, and then press the Menu \triangleright button.
4. Press the Paper Feed ∇ or Paper Feed \blacktriangle button to display STATUS CHECK, and then press the Menu \triangleright button.
5. Press the Menu \triangleright button again to start printing a status sheet.

After printing is finished, the printer exits Menu mode and returns to the READY status.

Setting the alert value of the paper

You can get a message when there is not much left, by setting the alert value using the steps below.

Note:

This setting is available only when you select Roll Paper or Cut Sheet for PAPER COUNTER in Maintenance mode.

1. Press the Menu \blacktriangleright button to enter Menu mode.
2. Press the Paper Feed \blacktriangledown or Paper Feed \blacktriangle button to display PRINTER SETUP, and then press the Menu \blacktriangleright button.
3. Press the Paper Feed \blacktriangledown or Paper Feed \blacktriangle button to display ROLL COUNTER or SHEET COUNTER, and then press the Menu \blacktriangleright button.
4. Press the Paper Feed \blacktriangledown or Paper Feed \blacktriangle button to select the length of the roll paper (between 5 and 99.5 m or 15 and 300 ft) or the number of cut-sheet paper (between 10 and 250) set in the printer, and then press the Menu \blacktriangleright button.
5. The screen changes so that you can select the alert value. Press the Paper Feed \blacktriangledown or Paper Feed \blacktriangle button to select the alert value. For roll paper, select a value between 1 and 15 m or 3 and 50 ft. For cut-sheet paper, select a value between 5 and 50.
6. Press the Menu \blacktriangleright button to set the alert value.
7. After you set the alert value, press the Pause \blacksquare button to return to the READY status.

Maintenance Mode

Maintenance mode setting procedure

This section describes how to enter Maintenance mode and how to make settings with the buttons on the control panel.

To make the Maintenance mode settings, follow the steps below.

Note:

Press the Paper Source < button to return to the previous step.

1. Enter Maintenance mode

Confirm the printer is turned off first. While pressing and holding the Pause ■■ button, press the Power ⏻ button to turn on the printer.

2. Select an item

Press the Paper Feed ▲ or Paper Feed ▼ button to select a desired item.

3. Set the item

Press the Menu >↵ button to enter the selected item. The first parameter is displayed on the LCD panel.

4. Select a parameter

Press the Paper Feed ▼ or Paper Feed ▲ button to select a parameter for the item.


5. Set the parameter

Press the Menu >↵ button to store the selected parameter. If the parameter is for execution only, press the Menu >↵ button to execute the function for the item.

Note:

If second parameter is displayed on the LCD panel, repeat the steps 4 and 5 to select and set the second parameter.

6. Exit Maintenance mode

Press the Power  button to turn off the printer, and turn it on again.

Maintenance mode list

Item	First parameters	Second parameters
"HEX DUMP" on page 190	PRINT	EXEC
"LANGUAGE" on page 191	ENGLISH, FRENCH, ITALIAN, GERMAN, SPANISH, PORTUGUESE	-
"PAPER COUNTER" on page 191	OFF, ROLL PAPER, CUT SHEET	-
"UNITS" on page 192	METER, FEET/INCHES	-
"CUT PRESSURE" on page 192	0% - 150%	-
"SSCL" on page 192	EXEC	-
"DEFAULT PANEL" on page 192	EXEC	-
"CRTG INFO MENU" on page 192	EPSON Stylus Pro 4880/4880C: MK INFO C INFO VM INFO Y INFO LK INFO LC INFO VLM INFO LLK INFO EPSON Stylus Pro 4450: MK INFO C INFO M INFO Y INFO	MANUFACT, CARTRIDG, INK TYPE, INK CAP, INK LEFT, PROD DATE, EXPIRE DATE, INK LIFE, AGE

Details of Maintenance mode items

HEX DUMP

Data received from the host computer can be printed out in hexadecimal numbers.

To print it out, follow the steps below.

1. Make sure that paper is loaded in the printer.
2. In Maintenance mode, press the Paper Feed \wedge or Paper Feed \vee button to display `HEX DUMP`.
3. Press the Menu $\triangleright\blacktriangleleft$ button to display `PRINT`. Press the Menu $\triangleright\blacktriangleleft$ button again to start printing.

The print data in the print buffer is printed with 16-byte hex. data in the left column, and corresponding ASCII characters in the right column.

Note:

If the last data is less than 16 bytes, it is not printed until you press the Pause $\blacksquare\blacksquare$ button.

LANGUAGE

You can select the language to be displayed on the LCD panel.

To select a suitable language, follow the steps below.

1. In Maintenance mode, press the Paper Feed \wedge or Paper Feed \vee button to display LANGUAGE, and press the Menu \blacktriangleright button.
2. Press the Paper Feed \wedge or Paper Feed \vee to select a suitable language.
3. Press the Menu \blacktriangleright button to set the language. Confirm that the READY (or similar word in the language selected) appears on the LCD panel.

Note:

It takes a while until READY (or similar word in the language selected) appears.

PAPER COUNTER

You can select a paper remaining counter function. When this function is on, ROLL COUNTER or SHEET COUNTER appears on the PRINTER SETUP menu.

1. In Maintenance mode, press the Paper Feed \wedge or Paper Feed \vee button to display PAPER COUNTER, and then press the Menu \blacktriangleright button.
2. Press the Paper Feed \wedge or Paper Feed \vee button to select a suitable function.
3. Press the Menu \blacktriangleright button.

UNITS

You can select the units for displaying length. To select the units, follow the steps below.

Note:

This item is available only when you choose ENGLISH in LANGUAGE.

1. In Maintenance mode, press the Paper Feed \wedge or Paper Feed \vee button to display UNITS, and press the Menu \blacktriangleright button.
2. Press the Paper Feed \wedge or Paper Feed \vee button to select a suitable unit.
3. Press the Menu \blacktriangleright button to set the units.

CUT PRESSURE

You can select cutting pressure.

SSCL

You can perform ultrasonic head cleaning.

DEFAULT PANEL

You can set all setting values you made in Menu mode to their factory set value.

CRTG INFO MENU

For maintenance service person only.

Notes on Epson Special Media and Other Media

Although most types of coated paper provide good printing results, the print quality varies depending on the paper quality and the manufacturer. Test the print quality before purchasing a large amount of paper.



Caution

Keep fingers off the printable surface of the media, as fingerprints may reduce the print quality. Whenever possible, use gloves to handle media.

Using Epson special media

Epson provides special media that can enhance the usage and expressive power of the printing results. When using Epson special media, make sure the appropriate settings are made in the printer driver. For information on Epson special media, see “Paper Information” on page 299.

Note:

- Use Epson special media in a normal room environment (temperature and humidity) for best results.*

- When using Epson special media, read the enclosed instruction sheets first.*

Storing Epson special media

To keep the quality of Epson special media:

- ❑ Store unused media in the original plastic bag and outer package so as to avoid moisture problems.
- ❑ Avoid storing the media in places exposed to high temperature, humidity, or direct sunlight.

Using paper other than Epson special media

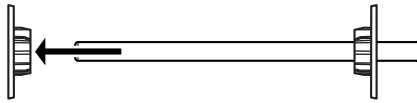
When you use paper other than Epson special media, or print using the RIP (Raster Images Processor), see the instructions included with the paper or RIP system, or contact your supplier for more information.

Using Roll Paper

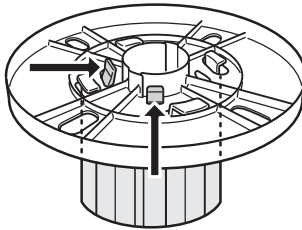
Attaching the roll paper to the spindle

When installing the roll paper onto the spindle, follow the steps below.

1. Slide the black movable flange off the end of the spindle.



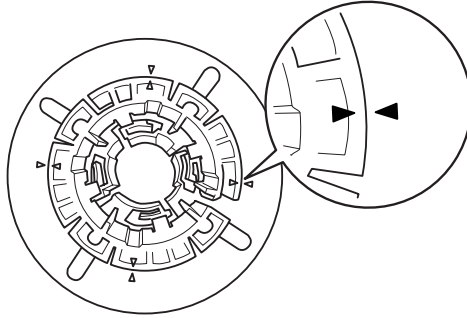
2. When attaching roll paper with a 2-inch core, remove the gray attachments.



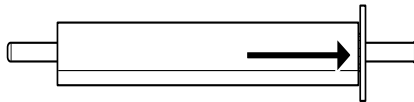
Note:

Keep the gray attachments in a safe place for future use.

When attaching roll paper with a 3-inch core, slide the gray attachments to the black and white ones, matching the four arrows.



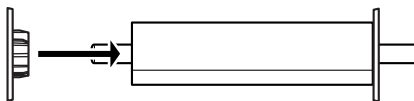
3. Place the roll paper on a flat surface so that it does not unwind. Slide the roll paper onto the spindle and onto the white flange until it fixes into place.



Note:

Do not stand the spindle when attaching the roll paper. It may cause slant paper feeding.

4. Slide the black movable flange (removed in step 1) onto the spindle and into the end of the roll paper until it fixes into place.



Attaching the spacer to the spindle

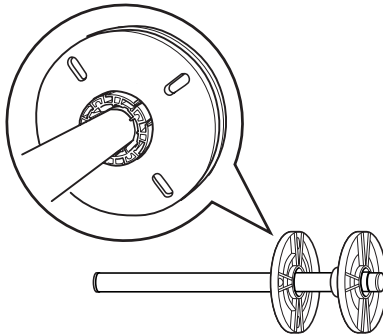
When you perform borderless printing on roll paper with a width of 8 inches or 420 mm (A2), you need to attach a spacer to the spindle.

To attach the spacer to the spindle, follow the steps below.

Note:

You cannot attach the spacer to the spindle when the gray attachments for roll paper with a 3-inch core are attached to the spindle.

1. Slide the black movable flange off the end of the spindle.
2. Slide the spacer onto the white flange.



3. Slide the roll paper until it fixes into place.
4. Slide the black movable flange onto the spindle and into the end of the roll paper until it fixes into place.

Removing the roll paper from the spindle

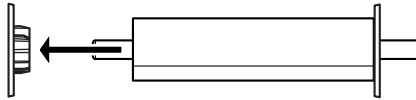
To remove the roll paper from the spindle, follow the steps below.

1. Place the paper loaded spindle down on a flat surface.
2. Slide the black movable flange off the end of the spindle by tapping the same end of the spindle with your hand to loosen it. The flange is removed.

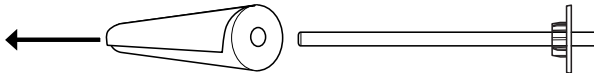


Caution:

To remove the black movable flange from the spindle, do not hold the spindle vertically and tap the end on the floor; otherwise, damage may occur.



3. Remove the roll paper from the spindle.



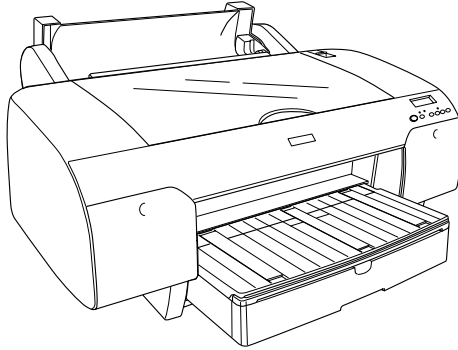
Note:

Store unused roll paper in its original package. Put the roll paper into the plastic bag and outer package so as to avoid moisture problems.

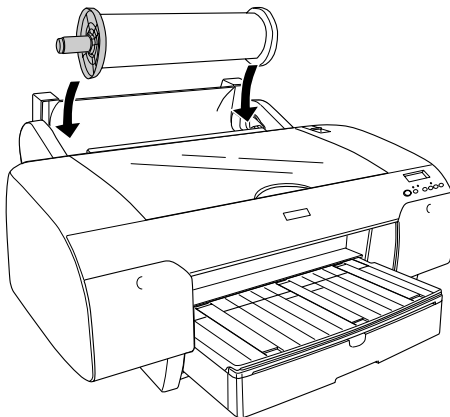
Loading roll paper

To load roll paper, follow the steps below.

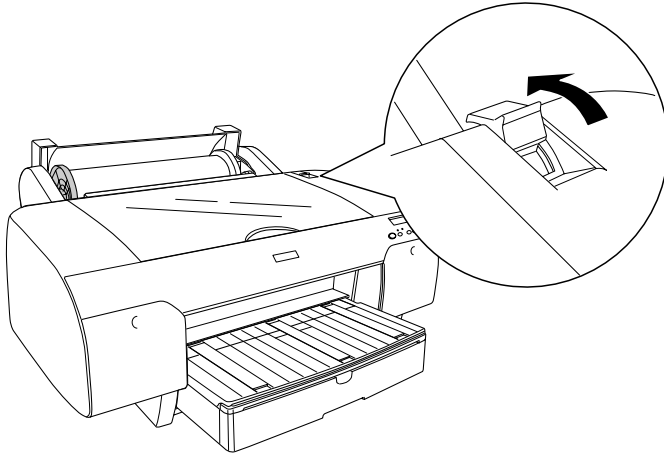
1. Open the roll paper cover.



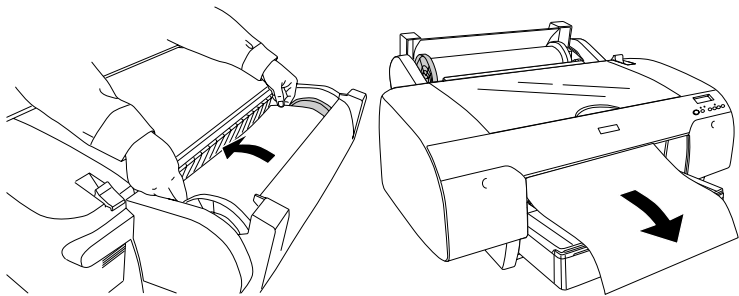
2. Make sure the black movable flange is fixed into the end of the roll paper properly.
3. Hold the roll paper spindle so that the black movable flange is on the left side.



4. Make sure the roll paper is attached to the printer properly.
5. Move the paper lever to the released position.



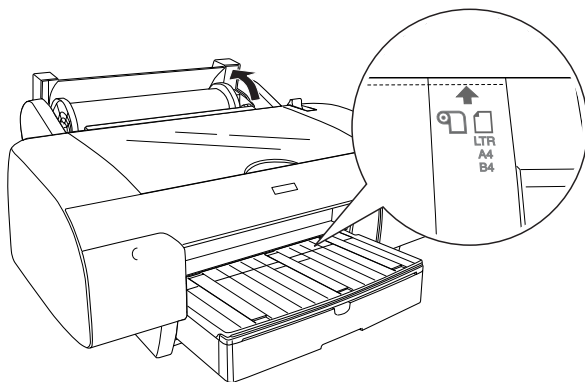
6. Hold both sides of the paper, and then load the paper in the paper insertion slot. Pull the paper until it hangs down over the paper tray.



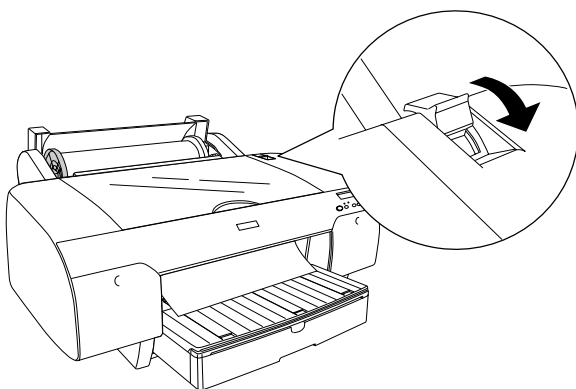
Note:

If you load thin paper, press the Paper Feed button ∇ to decrease the value of paper suction. If you load thick and curled paper, press the Paper Feed button \wedge to increase the value of paper suction.


7. Hold both the fixed and movable flanges, and rewind the paper to the line marked with the arrow mark.



8. Move the paper lever to the secured position. The printer automatically feeds the paper to the printing position.

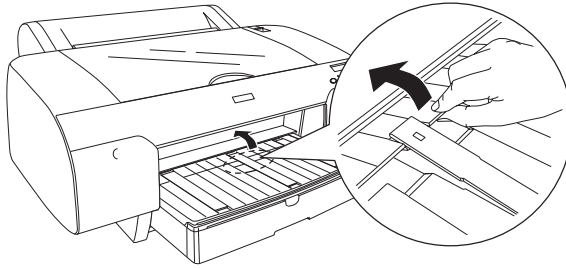


Note:

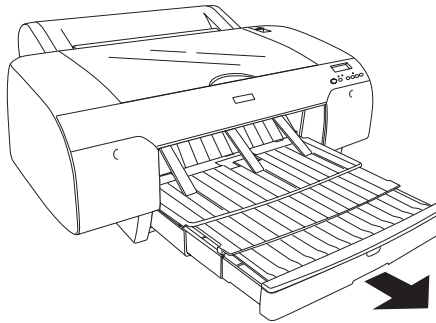
If you press the Pause  button, the printer starts to feed the paper to the printing position immediately.



9. Close the roll paper cover.

10. Raise the roll paper support.



11. Extend the paper tray and paper tray cover according to the paper size.



12. Press the Paper Source < button to select Roll Auto Cut On  or Roll Auto Cut Off .

Now the printer is ready to print. While the printer is printing, do not open the top cover. If the top cover is opened while printing is in progress, the printer stops printing, and then restarts printing when the top cover is closed. Stopping and restarting printing may reduce the print quality.



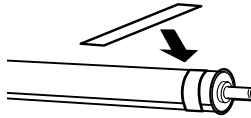
Caution:

Do not leave the paper in the printer for a long period of time; its quality will deteriorate. We recommend that you remove the paper from the printer after printing.

Using the roll paper belt

The roll paper belt is packed with the optional 2/3 inch Dual Roll Feed Spindle. You can also purchase the optional roll paper belt.

To use the roll paper belt, tap the end of the roll paper belt lightly on the roll paper. The belt will wrap itself around the roll paper.



To remove the roll paper belt, simply unwrap it from around the paper. When not using the roll paper belt, keep it wound around the end of the spindle.

Cutting the roll paper or printing page lines

When your print job is finished, the printer cuts the roll paper automatically or prints page lines around the printed data according to your settings. You can make these settings using the control panel or printer software.

Note:

- Printer driver settings usually override the control panel settings. Use your printer driver settings whenever possible.*
- When the printer cuts the printout, it may take a little time to proceed with cutting after printing is finished.*

Cutting the roll paper automatically

To cut the roll paper automatically after printing, follow the steps below.

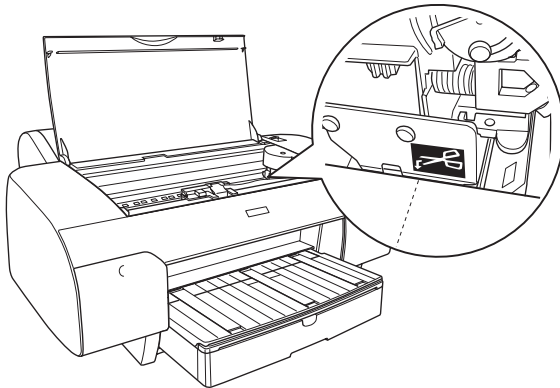
1. Before printing, press the Paper Source < button to select Roll Auto Cut On ☑.
2. Print your data.


To make the auto cut setting using the printer driver, see “Roll paper cut for borderless printing” on page 97.

Cutting the roll paper with the cut button

To cut the roll paper with the cut button after printing, follow the steps below.

1. Before starting to print, press the Paper Source < button to select Roll Auto Cut Off ☐.
2. Print your data.
3. Press the Paper Feed v button or Paper Feed ^ button to match the cutting position on the paper with the cutting position on the left side of the print head.



4. Press the Paper Source < button to select Roll Auto Cut On .
5. Press and hold the Paper Source < button for 3 seconds. The printer cuts the printout at the cutting position.

Printing page lines

If you want to print continuously on roll paper and then cut the pages yourself after you finish printing, use the Print Page Line setting.

To make the Print Page Line setting using the control panel, see “PAGE LINE” on page 159.

To make the Print Page Line setting using the printer software, see the online help for detailed information.

Using Cut Sheet Media

Checking the paper path

The paper path changes according to the media type you use. Always check the media type and its paper path.

Paper path list

Paper Path	Media Name
Paper Tray	Premium Semigloss Photo Paper
	Premium Luster Photo Paper
	Singleweight Matte Paper
	Photo Quality Ink Jet Paper
	Epson Proofing Paper White Semimatte
	Enhanced (Archival) Matte Paper
	Watercolor Paper - Radiant White
	Plain Paper
	(Non-Epson media for paper thickness 0.08 to 0.79 mm)
Front Manual Feed Slot	(Non-Epson media for paper thickness 0.8 to 1.5 mm)

Rear Manual Feed Slot	Premium Glossy Photo Paper
	Premium Semigloss Photo Paper
	Premium Luster Photo Paper
	Singleweight Matte Paper
	Photo Quality Ink Jet Paper
	Epson Proofing Paper White Semimatte
	Enhanced (Archival) Matte Paper
	Watercolor Paper - Radiant White
	UltraSmooth Fine Art Paper
	Velvet Fine Art Paper
	Plain paper
	(Non-Epson media for paper thickness 0.08 to 0.79 mm)

Loading cut-sheet media

You can load cut-sheet media into the paper tray, front manual feed slot, or rear manual feed slot.

The paper tray can hold up to 250 sheets of 17 lb. or 64 g/m² plain paper. Do not load paper above the arrow mark on the inside surface of the right edge guide.

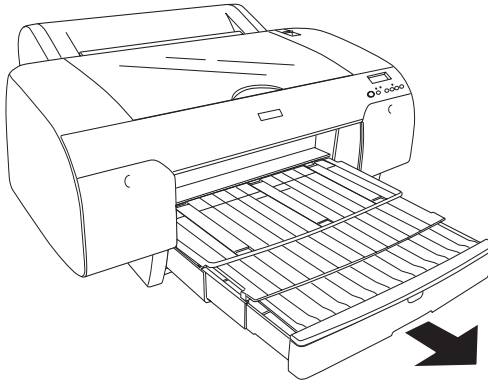
For information on the loaded capacity of Epson special media, see the following table.

Epson special media	Size	Loadable capacity in the paper tray
Premium Semigloss Photo Paper	A4	100
	Letter	100
	A3	50
	Super A3/B	50
Premium Luster Photo Paper	Letter	100
	Super A3/B	50
Singleweight Matte Paper	Super A3/B	100
	A2	50
	US C	50
Photo Quality Ink Jet Paper	A4	200
	Letter	200
	A3	100
	Super A3/B	100
Epson Proofing Paper White Semimatte	Super A3/B	1*
Archival (Enhanced) Matte Paper	A4	100
	Letter	100
	A3	50
	Super A3/B	50
	A2	50
	US C	50
Watercolor Paper-Radiant White	Super A3/B	20

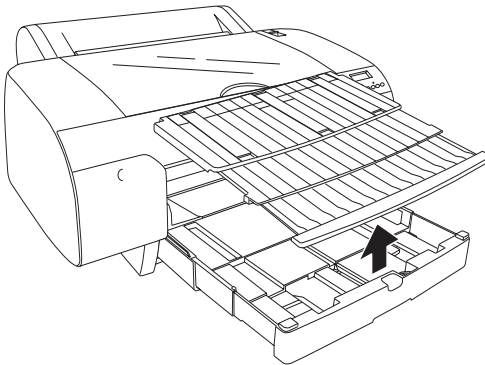
* 50 sheets of paper can be set under the following conditions (temperature is 15 to 23°C and humidity is 40 to 60%).

Loading A3 or larger paper in the paper tray

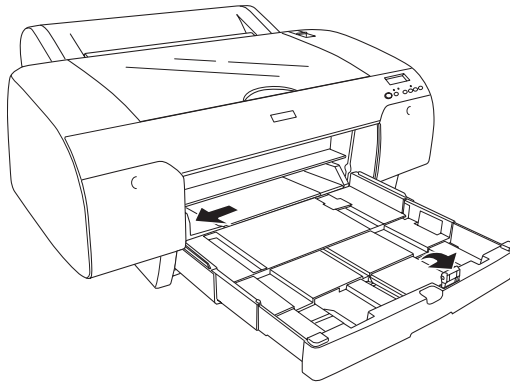
1. Make sure the printer is on and in the **READY** state.
2. Press the Paper Source < button to select Sheet □ .
3. Extend the paper tray and paper tray cover.



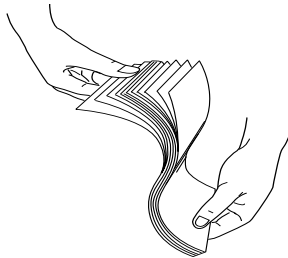
4. Lift up the paper tray cover.



5. Pull the paper guide roller up, and then slide the edge guide to the left slightly wider than the width of your paper.

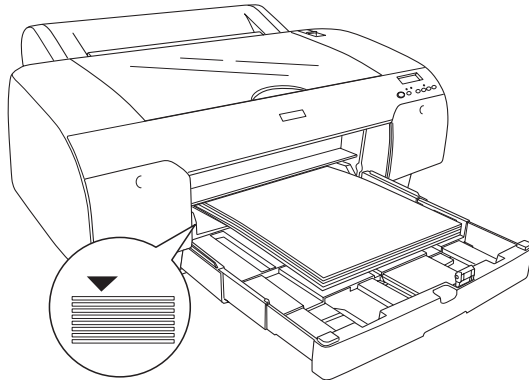


6. Clean the inside of the paper tray to remove any dust. Dust may affect the print quality.
7. Fan a stack of paper, and then tap it on a flat surface to even the edges.



If the paper is curled, flatten it before you load it. If it curls excessively and jams frequently, stop using it.

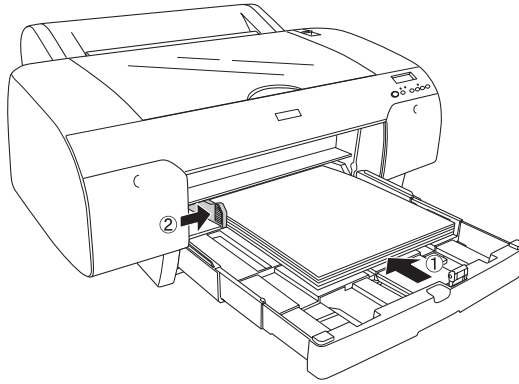
8. Load the sheets with the printable face down and the right edge of the paper resting against the right side of the paper tray. Make sure the sheets lie flat on the bottom of the tray.



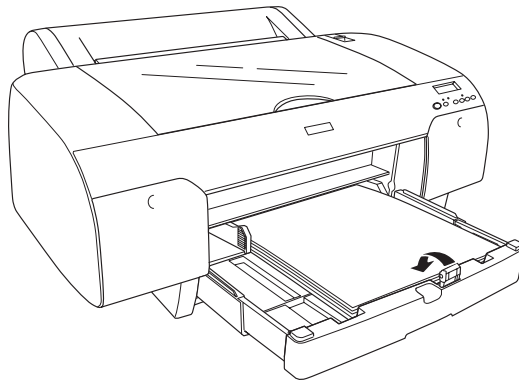
Note:

- ❑ *Always set the paper's short edge first.*
- ❑ *When you load sheets of paper, make sure to put the edges of the paper against the right inner corner of the paper tray; otherwise, printing may become misaligned.*
- ❑ *When you add more sheets of paper to the paper tray, always line up the edges of the added paper to those of the paper already loaded.*

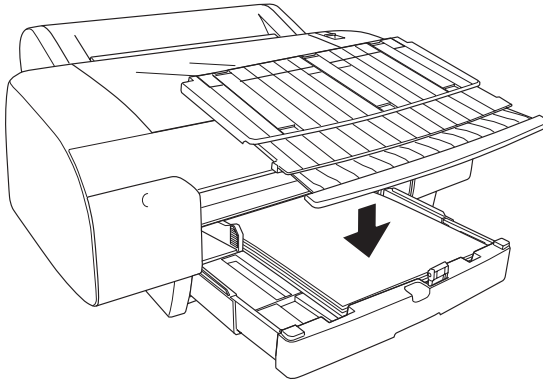
- Adjust the length of the paper tray and the edge guide according to the paper size.



- Put the paper guide roller down. Make sure the paper guide roller is placed on the edge of the paper.



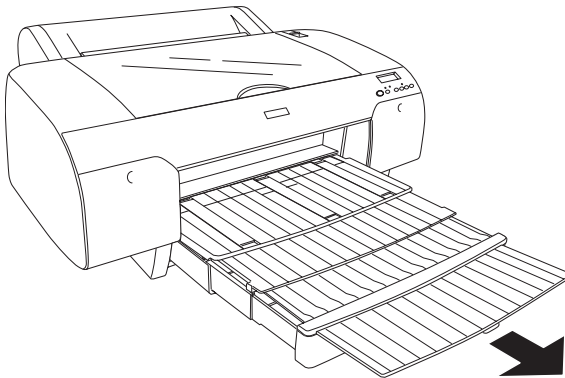
11. Adjust the length of paper tray cover, and then attach it to the paper tray.



Note:

Make sure the roll paper support is not raised.

12. If you have extended the paper tray and cover fully, pull the paper tray cover extension to support large-size printouts.



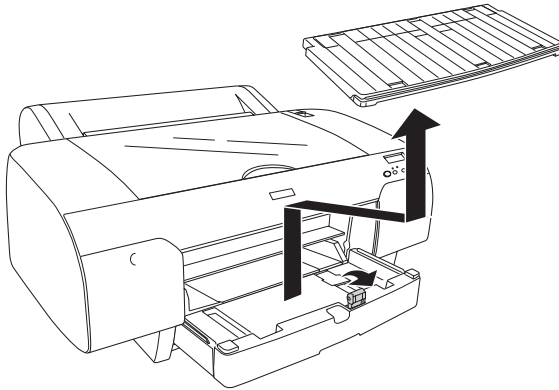
Note:

Before printing on cut-sheet media, make sure paper in the paper tray is not curled. If it is curled, uncurl it; otherwise, a paper jam may occur.

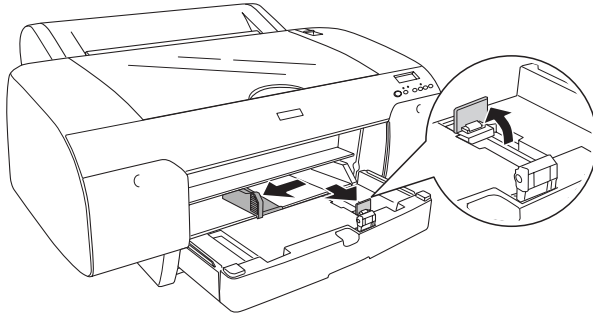
Now, the printer is ready to print. While the printer is printing, do not open the top cover. If the top cover is opened while printing is in progress, the printer stops printing, and then restarts printing when the top cover is closed. Stopping and restarting printing may reduce the print quality.

Loading paper smaller than A3 in the paper tray

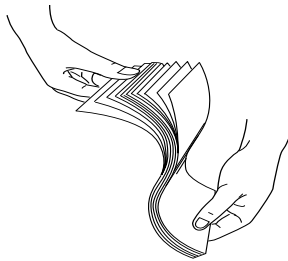
1. Make sure the printer is on and in the READY state.
2. Press the Paper Source < button to select Sheet .
3. Lift up the paper tray cover, and then pull the paper guide roller.



4. Pull the paper guide, and then slide the edge guide to the left slightly wider than the width of your paper.

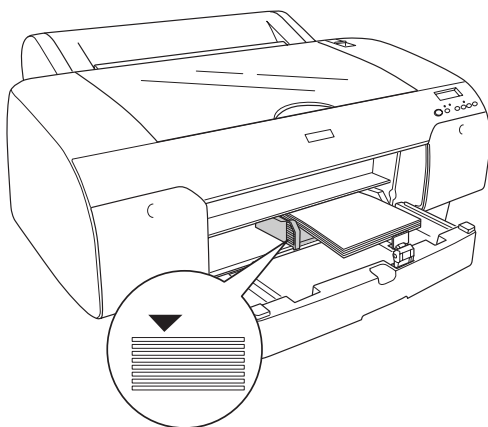


5. Clean the inside of the paper tray to remove any dust. Dust may decrease the print quality.
6. Fan a stack of paper, and then tap it on a flat surface to even the edges.



If the paper is curled, flatten it before you load it. If it curls excessively and jams frequently, stop using it.

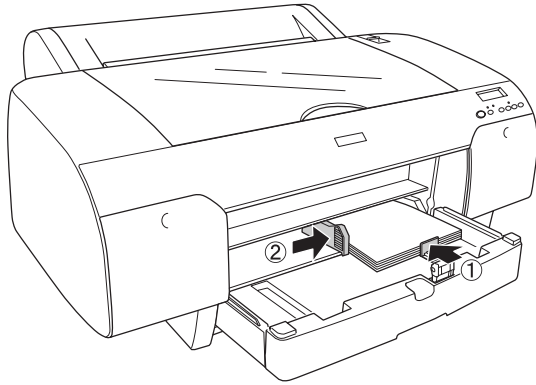
7. Load the sheets with the printable face down and the right edge of the paper resting against the right side of the paper tray. Make sure the sheets lie flat on the bottom of the tray.



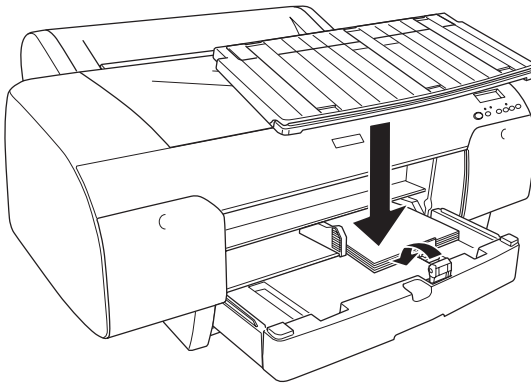
Note:

- ❑ *Always set the paper's short edge first.*
- ❑ *When you load sheets of paper, make sure to put the edges of the paper against the right inner corner of the paper tray; otherwise, printing may become misaligned.*
- ❑ *When you add more sheets of paper to the paper tray, always line up the edges of the added paper to those of the paper already loaded.*

- Adjust the length of the paper guide and the edge guide according to the paper size.



- Put the paper guide roller down, and then re-attach the paper tray cover.



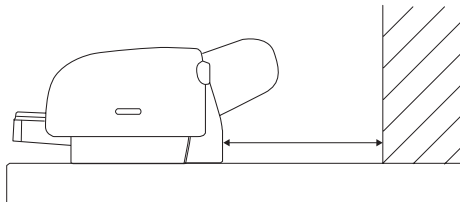
Note:

- ❑ Make sure the roll paper support is not raised.
- ❑ Before printing on cut-sheet media, make sure paper in the paper tray is not curled. If it is curled, uncurl it; otherwise, a paper jam may occur.

Now, the printer is ready to print. While the printer is printing, do not open the top cover. If the top cover is opened while printing is in progress, the printer stops printing, and then restarts printing when the top cover is closed. Stopping and restarting printing may reduce the print quality.

Loading paper into the front manual feed slot

As the printer feeds paper from the front side to the rear side of the printer, keep enough space between the rear side of the printer and the wall, according to the following table.



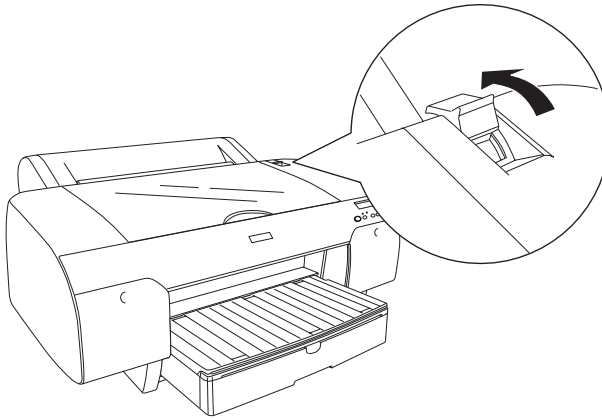
Paper size	Space
A2	377.5 mm
Super A3/B	266.5 mm
A3	203.5 mm
A4	80.5 mm

Note:

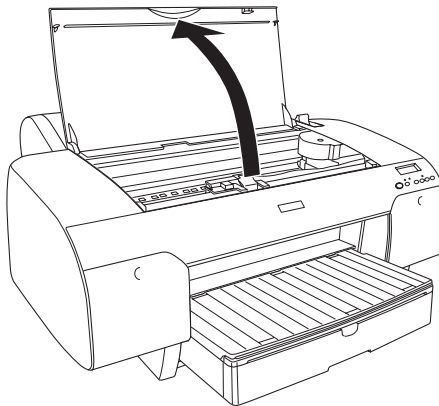
- When *PPR SIZE CHK* is set to **OFF** on the printer's control panel, you cannot feed the paper from the manual feed slot. See "*PPR SIZE CHK*" on page 162 for details.

- When you print on a cut-sheet media with a thickness of 0.8 to 1.5 mm or more, always load the sheet from the front manual feed slot.

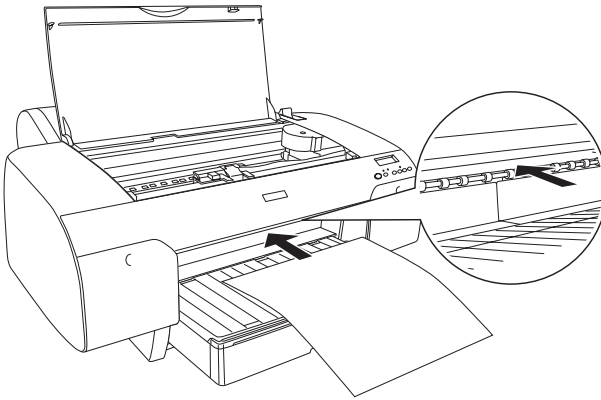
- ❑ *You can load one sheet at a time into the front feed slot.*
 - ❑ *Load paper with the printable surface up.*
1. Make sure the printer is on and in the READY state.
 2. Press the Paper Source < button to select Sheet .
 3. Move the paper lever to the released position.



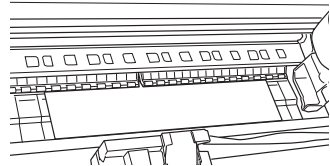
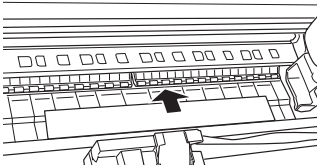
4. Open the top cover.



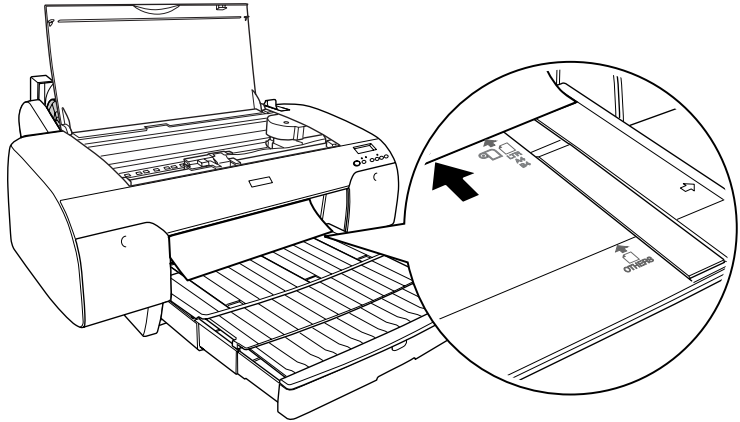
5. Insert a sheet to where paper is usually ejected.



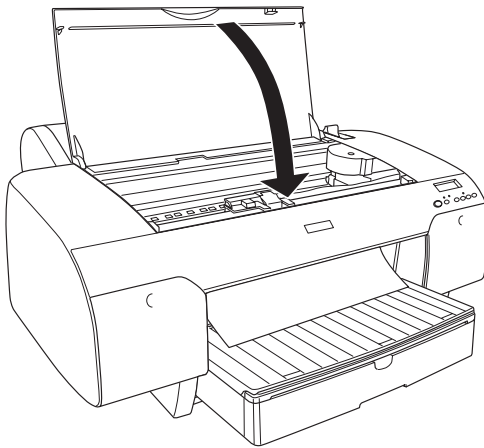
6. Pass the paper under the feed roller.



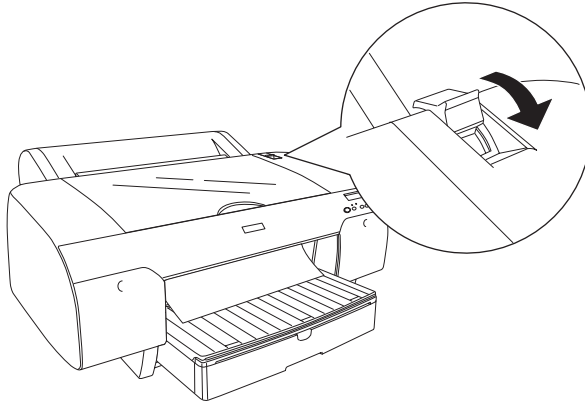
- Adjust the right side of the paper with the line marked with an arrow mark, and also adjust the bottom edge of the paper with the line marked with your paper size on the paper tray. If your paper size is Letter, A4, or B4, set the paper edge to LTR/A4/B4. If your paper size is not listed above, set the paper edge to OTHERS.




- Close the top cover.



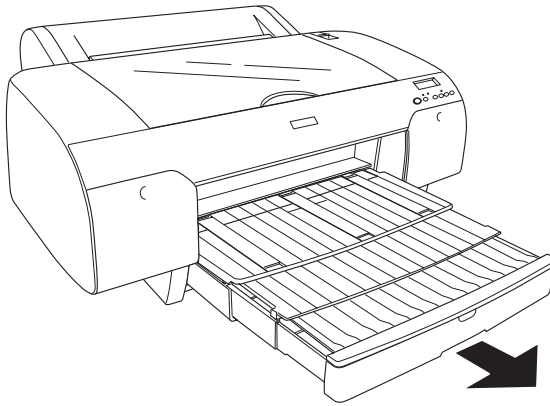
9. Move the paper lever to the secured position. The printer automatically feeds the paper to the printing position.



Note:

- ❑ *If PPR SIZE CHK is set to OFF, REMOVE PAPER appears on the LCD panel. You need to select ON for PPR SIZE CHK on the printer's control panel.*
- ❑ *If you press the Pause  button, the printer starts to feed the paper to the printing position immediately.*

10. Extend the paper tray and paper tray cover according to the paper size. If you do not extend them, the printout may fall.



Note:

Make sure the roll paper support is not raised.

Now, the printer is ready to print. While the printer is printing, do not open the top cover. If the top cover is opened while printing is in progress, the printer stops printing, and then restarts printing when the top cover is closed. Stopping and restarting printing may reduce the print quality.



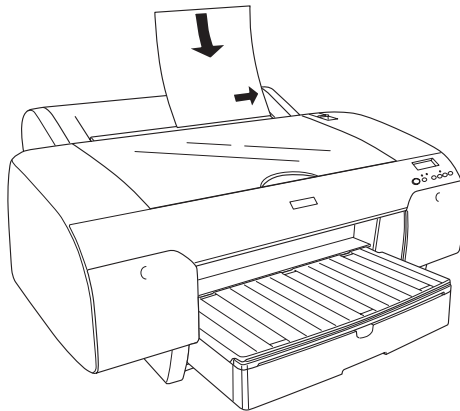
Caution:

Do not leave the paper in the printer for a long period of time; its quality will deteriorate. We recommend that you remove the paper from the printer after printing.

Loading paper into the rear manual feed slot

Note:

- ❑ You can load one sheet at a time into the rear feed slot.
 - ❑ Load paper with the printable surface up.
 - ❑ Paper with a thickness between 0.08 and 0.79 mm can be set in the landscape position. However, always set recycled or plain paper and A4, Letter size, or 8 × 10 in. paper in the portrait position, regardless of the thickness.
1. Make sure the printer is on and in the READY state.
 2. Press the Paper Source < button to select Sheet .
 3. Hold the left and right edges of the paper. Align the left edge of the paper with the target paper size on the roll paper cover, and then insert the paper until it meets resistance.

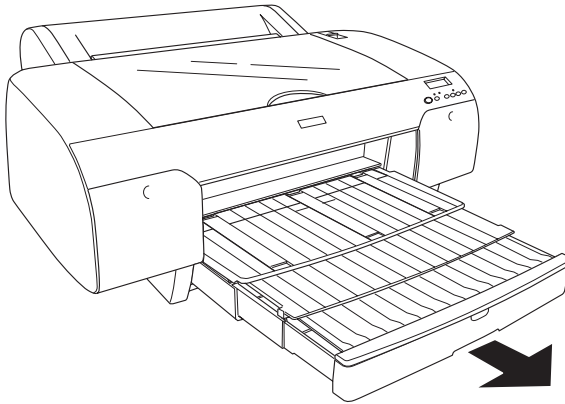


The printer automatically feeds the paper to the printing position.

Note:

If you press the Pause button, the printer starts to feed the paper to the printing position immediately.

4. Adjust the length of the paper tray and the paper tray cover according to the paper size. If you do not extend them, the printout may fall.



Note:

Make sure the roll paper support is not raised.

Now, the printer is ready to print. While the printer is printing, do not open the top cover. If the top cover is opened while printing is in progress, the printer stops printing, and then restarts printing when the top cover is closed. Stopping and restarting printing may reduce the print quality.



Caution:

Do not leave the paper in the printer for a long period of time; its quality will deteriorate. We recommend that you remove the paper from the printer after printing.

Replacing Ink Cartridges

When the printer's indicator light is flashing, this indicates that the ink is low and you need to obtain a replacement ink cartridge. When the indicator light remains on, this indicates that you need to replace the expended ink cartridge. The LCD panel also displays `INK LOW` or `INK OUT`.

Note:

Even if only one ink cartridge is expended, the printer cannot continue to print.

Epson recommends the use of genuine Epson ink cartridges. Other products not manufactured by Epson may cause damage to your printer not covered by Epson's warranties. For detailed information on ink cartridges, see "Ink cartridges" on page 322.

To check the product codes of ink cartridges, see "Consumable Products" on page 328.

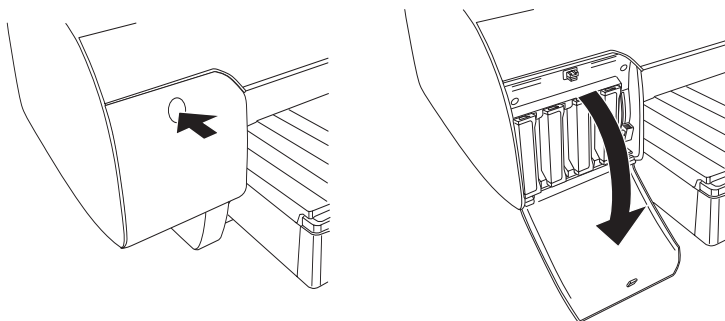
To replace an ink cartridge, follow the steps below.



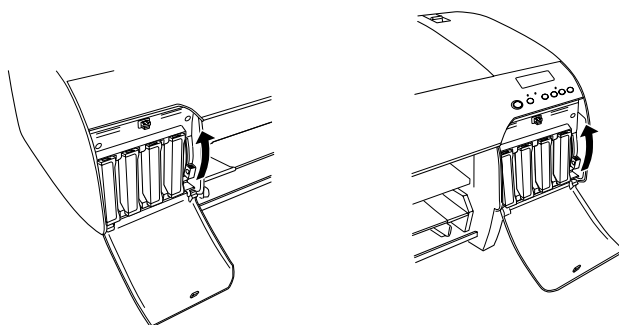
Caution:

Leave the old ink cartridge installed in the printer until you are ready to replace it with a new one.

1. Make sure the printer is on. Find out which cartridge needs to be replaced, as indicated by the steady or flashing Ink check light.
2. Open the ink compartment cover by pushing it.



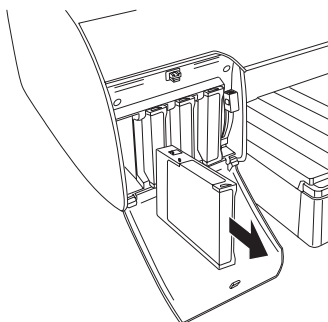
3. Raise the ink levers to the released position.



Note:

The right ink compartment is available for EPSON Stylus Pro 4880/4880C only.

- Carefully pull the expended cartridge straight out of the printer.



Warning:

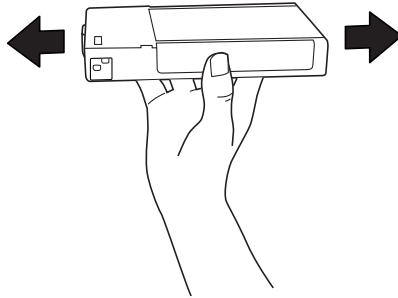
If ink gets on your hands, wash them thoroughly with soap and water. If ink gets into your eyes, flush them immediately with water.



Caution:

Do not shake cartridges (that have been installed previously) with too much force.

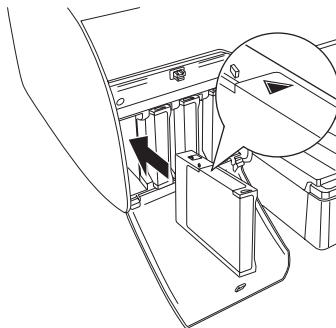
5. Make sure the replacement ink cartridge is the correct color, and remove it from the package. Shake the ink cartridge well before installing it for best results.



Note:

A protection system is provided to prevent improper cartridge insertion. If you cannot insert the ink cartridge smoothly, the type of cartridge may be incorrect. Check the package and product code.

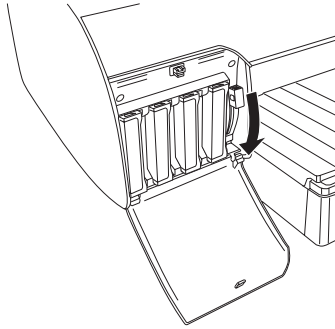
6. Hold the ink cartridge with the arrow mark facing up and pointing to the rear of the printer, and then insert it into the slot. Do not force the cartridge in further by hand.



Note:

If the Ink check light remains on, this indicates the ink cartridge may not be installed correctly. Remove the ink cartridge and then reinsert it as described above.

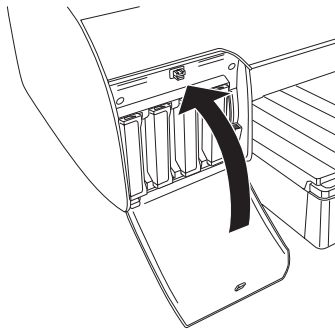
7. Lower the ink lever to the secured position.



Note:

If you install an ink cartridge in the wrong slot, NO INK CRTG appears on the LCD panel. Make sure that the correct ink cartridge is installed in the correct slot.

8. Close the ink compartment cover. The printer returns to the previous status.



Note:

If you have installed 220 ml ink cartridge, do not close the ink compartment cover.

Converting the Black Ink Cartridges

You can change the black ink according to your purpose. You can choose either Matte Black or Photo Black.



Caution:

To avoid interrupting a black ink change, observe the following conditions:

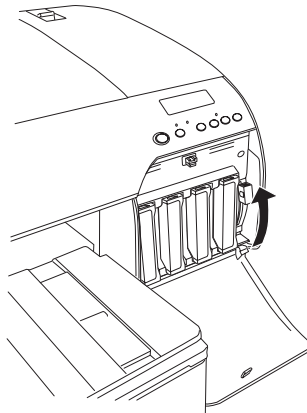
- Do not turn off the printer.*
- Do not open the top cover.*
- Do not remove the rear cover.*
- Do not move the paper lever to the released position.*
- Do not remove the ink cartridges.*
- Do not remove the maintenance tank.*
- Do not unplug the power cord.*

Note:

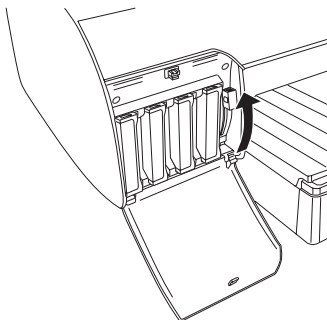
- If an electrical power failure occurs during this operation, turn the printer on again. You can continue your procedure at the breakpoint.*
- The Black Ink Conversion Kit is required when changing the black ink. Also, the black ink cartridge (either Matte or Photo that you want to convert) is required. To check the product code, see “Consumable Products” on page 328.*
- If MNT TK NEAR FULL or MNT TNK FULL appears on the LCD panel, you need to replace the maintenance tank. See “Replacing the Maintenance Tank” on page 239.*

To change the black ink, follow the steps below.

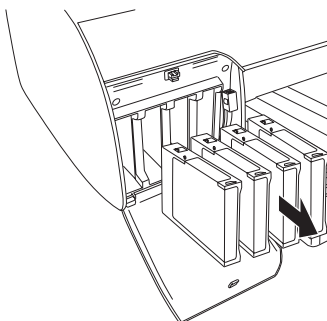
1. Make sure that **READY** appears on the LCD panel.
2. Press the Menu \triangleright button to enter Menu mode.
3. Press the Paper Feed ∇ or Paper Feed \blacktriangle button to display **MAINTENANCE** on the LCD panel, and then press the Menu \triangleright button.
4. Press the Paper Feed ∇ or Paper Feed \blacktriangle button to display **BK INK CHANGE**, and then press the Menu \triangleright button.
5. Press the Menu \triangleright button again to execute.
6. Make sure **RAISE THE RIGHT INK LEVER** appears on the LCD panel, and then raise the ink lever on the right ink compartment.



7. Make sure RAISE THE LEFT INK LEVER appears on the LCD panel, and then raise the ink lever on the left ink compartment.




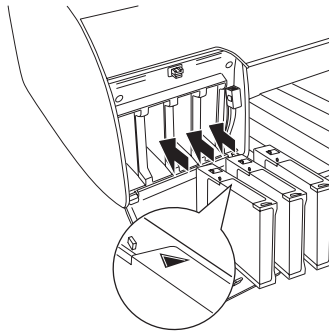
8. Make sure REMOVE INK CRTG appears on the LCD panel, and then remove all four ink cartridges from the left ink compartment.



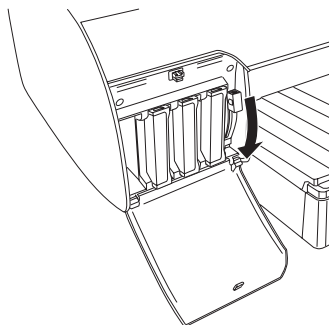
9. Make sure `INSTALL CURSION CRTG` appears on the LCD panel, and then insert three conversion cartridges in the slots on the left ink compartment.

Note:

If `REPLACE CURSION CRTG` appears on the LCD panel, press the Pause  button. Remove the old conversion cartridge(s) from the left ink compartment, and then insert the new conversion cartridge(s). Finally, go to step 4 to start again.

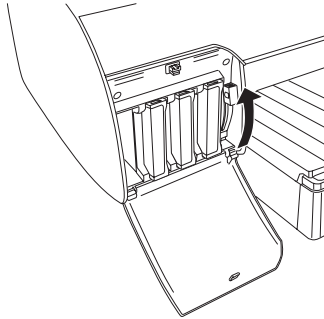


10. Make sure `LOWER THE LEFT INK LEVER` appears on the LCD panel, and then lower the ink lever on the left ink compartment.

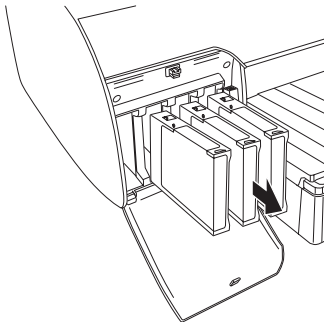


11. The printer starts draining ink, and `DRAINING XXX%` appears on the LCD panel. Wait until draining is complete.

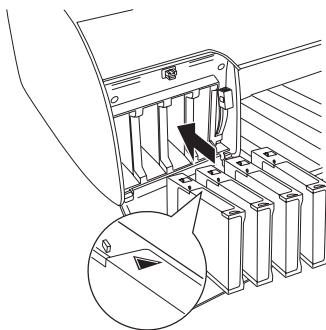
12. When draining is complete, RAISE THE LEFT INK LEVER appears on the LCD panel. Raise the ink lever on the left ink compartment.



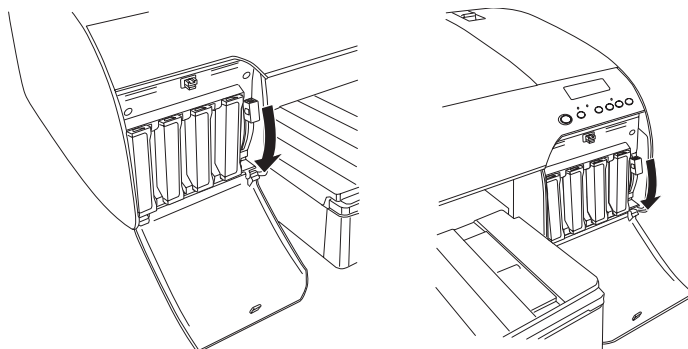
13. Make sure REMOVE CNVERSION CRTG appears on the LCD panel, and then remove the conversion cartridges from the slots on the left ink compartment.



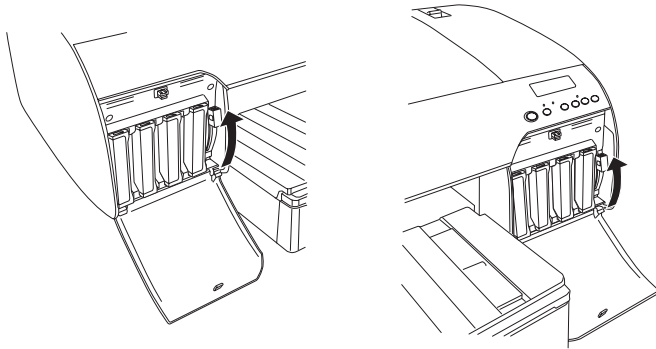
14. Make sure **INSERT INK CRTG** appears on the LCD panel, and then insert the cartridges in their specified slots.



15. Make sure **LOWER BOTH INK LEVERS** appears on the LCD panel, and then lower the ink levers on the right and left ink compartments.



16. Make sure **RAISE THE BOTH INK LEVERS** appears on the LCD panel, and then raise the ink lever on the right and left ink compartments.



17. The printer starts charging ink. After a while, ink lever messages appear on the LCD panel. When a message appears on the LCD panel, raise or lower the ink levers accordingly until **READY** appears on the LCD panel.

Note:

Because ink charging after black ink conversion consumes a large quantity of ink, you may need to replace the ink cartridges soon.

18. When **READY** appears on the LCD panel, ink charging is completed. Close the ink compartment covers.

Note:

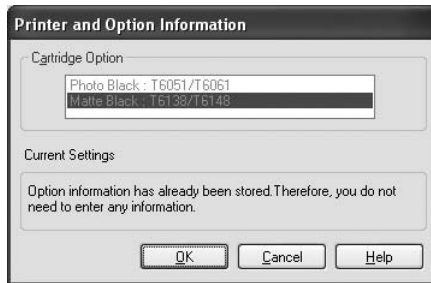
If you have installed 220 ml ink cartridges, do not close the ink compartment covers.

Updating the printer driver information

After the replacement operation, update the driver information using the steps below.

For Windows

Click the **Main** tab and make sure that the correct ink cartridge is displayed. If not, set the information manually by clicking the **Utility** tab and then the **Printer and Option Information** button.



For Mac OS X

Remove the printer from the **Print Center** (for Mac OS X 10.2.x) or the **Printer Setup Utility** (for Mac OS X 10.3.x or later), and then add it again.

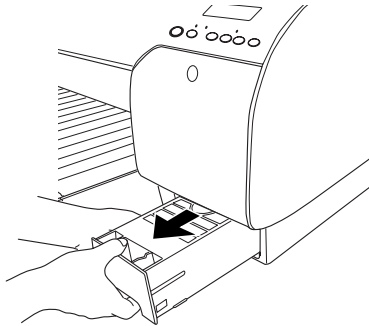
Replacing the Maintenance Tank

If MNT TNK FULL or MNT TK NEAR FULL appears on the LCD panel, replace the maintenance tank.

To check the product code of the Maintenance Tank, see “Consumable Products” on page 328.

To replace the maintenance tank, follow the steps below.

1. For EPSON Stylus Pro 4880/4880C only:
If you are using 220 ml ink cartridges, remove the four ink cartridges from the right ink compartment. Make sure to close the ink compartment cover after you have removed the ink cartridges.
2. Open the package of a new maintenance tank.
3. Put your hand on the handle under the right ink compartment, then gently pull the maintenance tank outward.

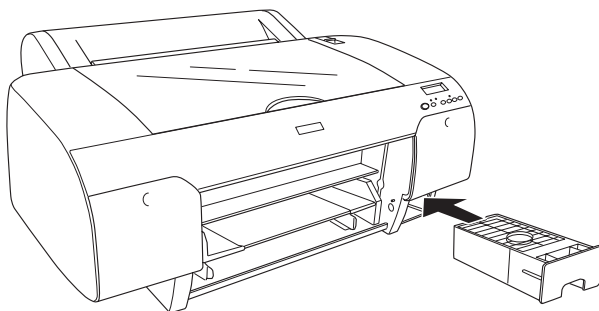


4. Put the used maintenance tank in the plastic bag provided.

Note:

Do not tilt the used maintenance tank until after it is sealed in the plastic bag.

5. Insert the new maintenance tank into place.



6. For EPSON Stylus Pro 4880/4880C only:
If you are using 220 ml ink cartridges, reinstall the removed ink cartridges.

Replacing the Paper Cutter

When the paper cutter does not cut cleanly, it may be blunt and require replacement.



Warning:

Be careful not to cut yourself while replacing the paper cutter.

To check the product code of the Auto Cutter Spare Blade, see “Consumable Products” on page 328.

To replace the paper cutter, follow the steps below.

1. Make sure the printer is on.
2. Press the Menu $\triangleright/\sphericalangle$ button to enter Menu mode.
3. Press the Paper Feed \wedge or Paper Feed \vee button to display CUTTER REPLACE on the LCD panel.

Note:

You can also take the following steps.

Press the Paper Feed \wedge or Paper Feed \vee button to display MAINTENANCE on the LCD panel. Press the Menu \blacktriangleright button, and then press the Paper Feed \wedge or Paper Feed \vee button to display CUTTER REPL.

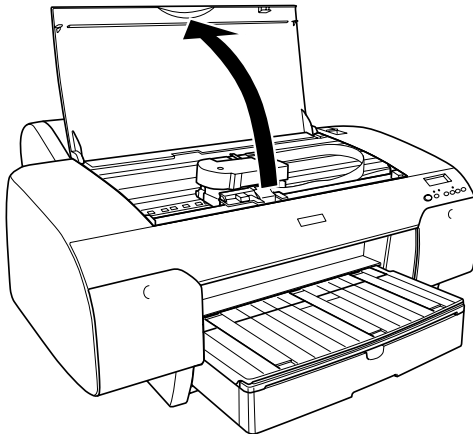
4. Press the Menu \blacktriangleright button to display EXEC. Press the Menu \blacktriangleright button again. The paper cutter holder moves to the replacement position.



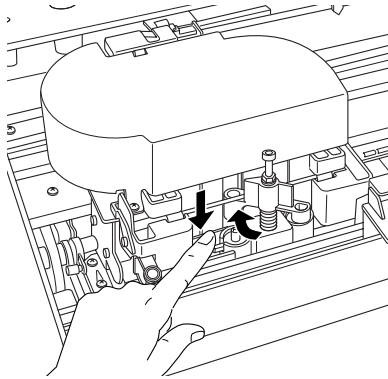
Caution:

Never move the paper cutter holder by hand; otherwise, damage to your printer may occur.

5. When the print head stops at the replacement position, OPEN TOP COVER appears. Open the top cover.

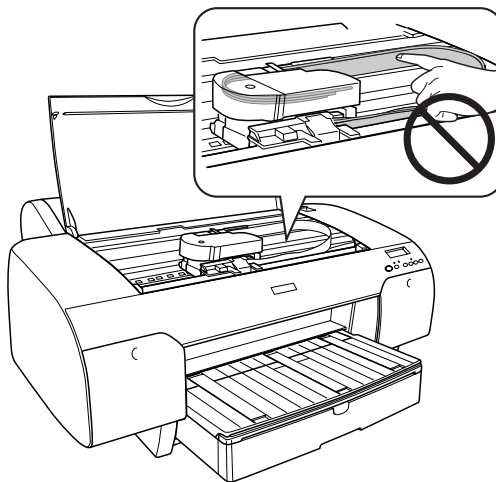


- When **REPLACE CUTTER** appears on the LCD panel, push in the side pin and turn the paper cutter cover to the right to open the casing.

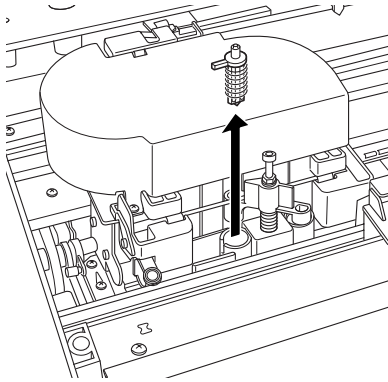


Caution:

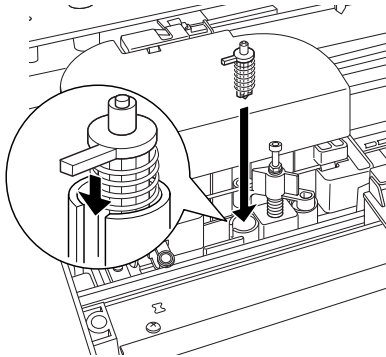
Be careful not to touch the parts highlighted below; otherwise, the printer may be damaged.



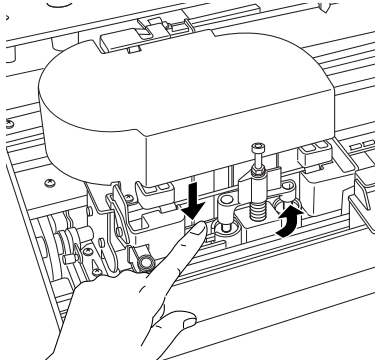
7. Slowly take your finger off the side pin, and carefully remove the old cutter from the printer.



8. Remove the new paper cutter from its package.
9. Fully insert the new cutter in the paper cutter holder. Make sure the cutter slide pin is set to the left.



10. While pushing in the side pin, turn the paper cutter cover to the left to close the casing.



Note:

Make sure the paper cutter cover is set correctly; otherwise, the paper may not be cut.

11. Make sure **CLOSE TOP COVER** appears, and then close the top cover. The cutter holder moves to the home (far right) position.
12. Wait until **READY** appears on the LCD panel.

Cleaning the Printer

To keep your printer operation in its top condition, clean it thoroughly if it becomes soiled.



Warning:

Be careful not to touch the gears inside the printer.



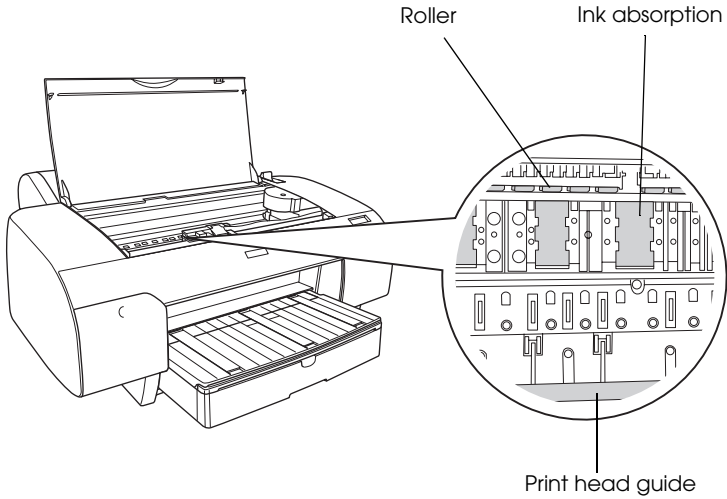
Caution:

- Never use alcohol or thinners to clean the printer; these chemicals can damage the components as well as the case.*
 - Be careful not to get water on the printer mechanism or electronic components.*
 - Do not use a hard or abrasive brush.*
 - Do not spray the inside of the printer with lubricants; unsuitable oils can damage the mechanism. Contact your dealer or a qualified service person if lubrication is needed. See "Paper Information" on page 299.*
1. Make sure the printer is turned off and all the lights are off, and then unplug the power cord. Leave the printer for a minute.



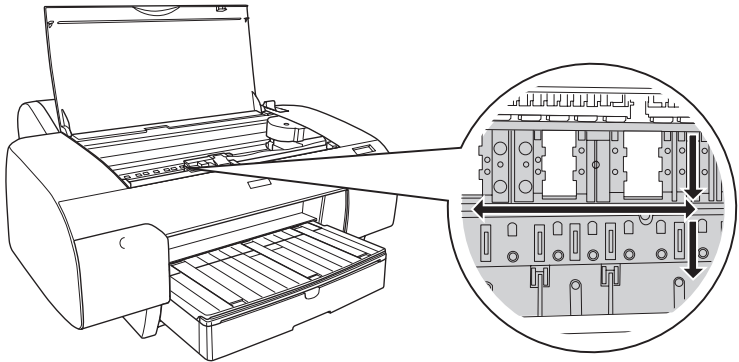
Caution:

Do not touch the following parts; otherwise, printouts may be soiled.



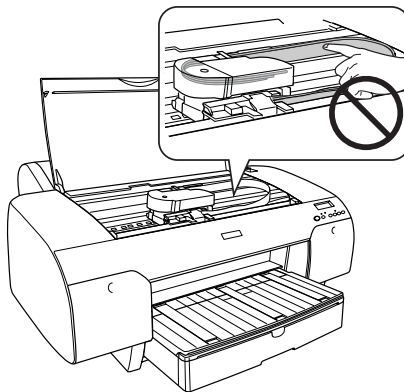
2. Open the top cover and then use a soft, clean cloth to carefully remove any dust or dirt inside the printer. Wipe the gray part by following the directions of the arrows.

If there is a serious problem of dirt on the inside of the printer, clean it using a soft, clean cloth dampened with mild detergent. Then, wipe the inside of the printer dry with a dry, soft cloth.

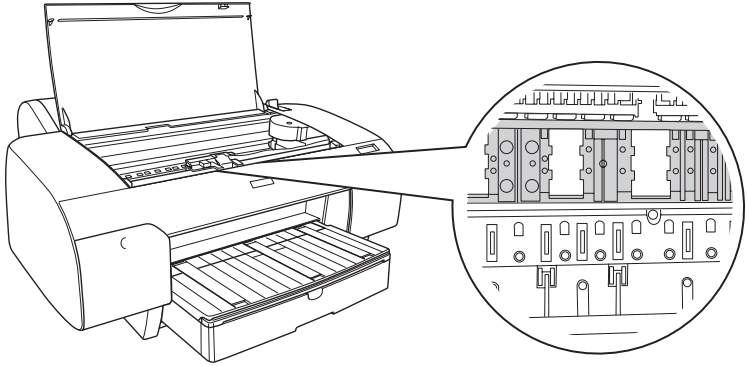


Caution:

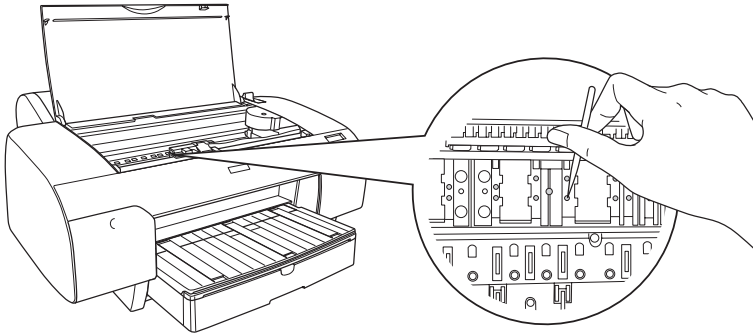
Be careful not to touch the parts highlighted below; otherwise, the printer may be damaged.



3. If the back of a printout is soiled, carefully clean the platen (the gray part) using a soft, clean cloth.



4. If some powdery paper dust is stuffed in the platen, use something like a toothpick to remove it. Close the top cover.



5. If the outer case is dirty, clean it using a soft, clean cloth dampened with mild detergent. Keep the ink compartment covers closed to prevent water from getting inside.

If you have not used your printer for a long time

If you have not used your printer for a long time, the print head nozzles may become clogged. Perform a nozzle check and clean the print head.

To perform a nozzle check using the control panel, see “Checking the print head nozzles” on page 173.

To perform a nozzle check using the printer software, see “Using the Printer Utilities” on page 31 for Windows or “Using Printer Utilities” on page 53 for Mac OS X.

To clean the print head using the control panel, press the **MENÜ** >↻ button for more than 3 seconds.

To clean the print head using the printer software, see “Using the Printer Utilities” on page 31 for Windows or “Using Printer Utilities” on page 53 for Mac OS X.

If you have not used your printer for more than six months, the printer requires head cleaning. If **PERFORM POWER CLEANING?** appears on the LCD panel when you turn on the printer, select **Y**, and then press the **MENÜ** button to start head cleaning.

If you want to perform head cleaning later, select **N**.

Note:

- If you select **Y** to start head cleaning, you need to move the ink levers according to the messages on the LCD panel.*
- Even if you will not be using your printer for a long time, leave the ink cartridges installed.*

Transporting the Printer

Over a long distance

If you need to transport your printer over a long distance, repack the printer using the original box and packing materials.

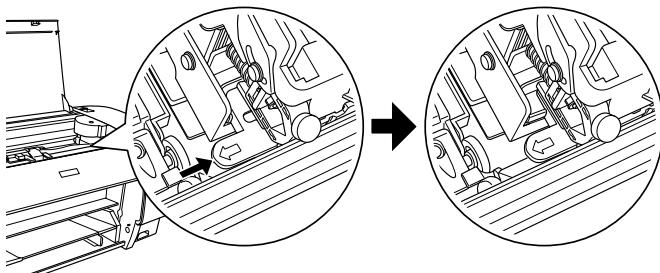
To repack the printer, follow the steps below.

1. Make sure the printer is turned on.
2. Remove the following parts.
 - Roll and cut sheet media
 - Roll paper spindle
 - Paper tray and paper tray cover
3. Raise the ink levers.

You can choose whether to remove the ink cartridges. Regardless of your choice, you must keep the ink levers raised when transporting the printer; otherwise, ink may leak from the printer.

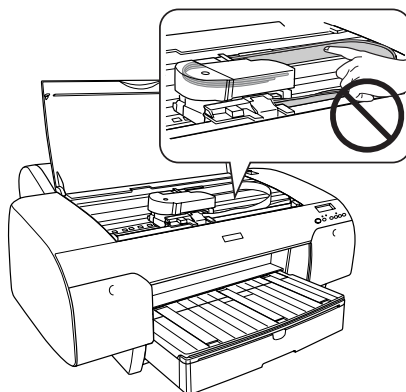
4. Make sure the print head is in the home (far right) position.

5. Push the green tab on the left side of the print head to the right to lock the print head.



Caution:

Be careful not to touch the parts highlighted below; otherwise, the printer may be damaged.



6. Make sure the ink levers are raised, and then turn off the printer.
7. Make sure the printer is turned off, and then unplug the power cord.
8. Insert the protective materials and repack the printer. Contact your dealer for assistance. See "Paper Information" on page 299.

Over a short distance

If you need to move the printer over a short distance, be sure to perform the following tasks.

- ❑ Raise the ink levers.
- ❑ Lift the printer, using at least two people. The printer weighs approximately 50 kg (110.3 lb) and must be lifted carefully.

Setting up the printer after transporting it

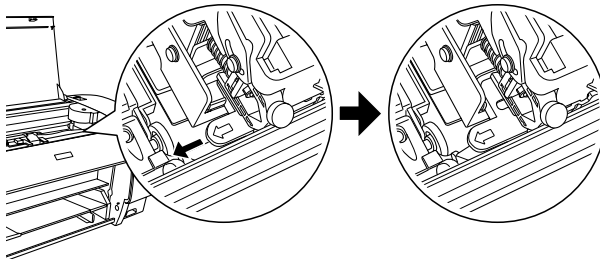
The steps you need to take to set up the printer after transporting it are almost identical to the steps carried out the first time you set up the printer. When you set up the printer again, see the *Setup Guide*, and note the following points.

- ❑ Do not forget to remove any protective materials.
- ❑ Do not forget to pull the green tab on the left side of the print head to release the print head.



Caution:

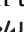
Do not push down the green tab; otherwise you may break it.



- ❑ The first time you start printing after transporting the printer, or if you have not turned on the printer for a long time, the print head nozzles may be clogged. Epson recommends that you perform a nozzle check and clean the print head, and also realign the print head to ensure print quality.

To perform a nozzle check using the control panel, see “Checking the print head nozzles” on page 173.

To perform a nozzle check using the printer software, see “Using the Printer Utilities” on page 31 for Windows or “Using Printer Utilities” on page 53 for Mac OS X.

To clean the print head using the control panel, press the Menu  button for 3 seconds.

To clean the print head using the printer software, see “Using the Printer Utilities” on page 31 for Windows or “Using Printer Utilities” on page 53 for Mac OS X.

To realign the print head using the control panel, see “Aligning the print head” on page 175.

To realign the print head using the printer software, see “Using the Printer Utilities” on page 31 for Windows or “Using Printer Utilities” on page 53 for Mac OS X.

Troubleshooting

Printer stops printing unexpectedly

Head cleaning, ink charging, or ink drying is in progress

Check to see if the Pause light is flashing. If so, the printer is in the process of head cleaning, ink charging or ink drying. During head cleaning, ink charging, and ink drying, PLEASE WAIT appears on the LCD panel. Wait until the printer resumes printing.

An error has occurred

Many common printer problems can be identified by the messages on the LCD panel.


You can also check the lights on the control panel for errors. See “Lights” on page 147.

For other messages not included in the following table, see “Messages” on page 149.

Error messages

Message	Description	What to do
UNABLE TO PRINT	An error may be occurring when you try to print patterns such as nozzle check or head alignment.	End the TEST PRINT MENU first, and solve the error displayed on the LCD panel. Then try to print patterns again.
MNT TK NEAR FULL	The maintenance tank is almost full.	Replace the maintenance tank with a new one. See "Replacing the Maintenance Tank" on page 239.
INK LOW	Ink cartridge is nearly expended.	Replacement of ink cartridge is nearly needed. Although you can continue printing in INK LOW situation, it may decline the print quality.
MNT REQ nnnn	A part used in the printer has nearly reached the end of its life. "nnnn" shows the code of the part.	Note the code and contact your dealer. See "Paper Information" on page 299.
REMOVE PAPER	Cleaning cannot be executed because thick paper is loaded.	Remove the thick paper, and move the paper lever to the secured position.
	The printer could not feed the printout.	Remove the printout.
NOZZLES STILL CLOGGED	The nozzles are still clogged.	Run the Head Cleaning utility. For Windows, see "Using Printer Utilities" on page 53. For Mac OS X, see "Using Printer Utilities" on page 53.

CHANGE PAPER TYPE	The loaded paper does not match the paper type selected.	Match the loaded paper to the paper type. See "Buttons" on page 145.
WRONG PAPER SIZE	The loaded paper size does not match the data size.	Match the loaded paper size to the data size.
PAPER OUT	No paper is loaded in the printer.	Load paper correctly.
	Roll paper is out while printing is in progress.	Load a new roll paper.
NO BORDERLESS WITH THIS SIZE RELOAD PAPER Note: Those messages are displayed on the LCD panel alternately.	A2 size cut sheet media has been installed for borderless printing.	Install a different size of cut sheet media or roll paper. See "Borderless Printing" on page 86.
RELOAD PAPER	The printer cannot detect the loaded cut sheet media, because it is wavy or curled.	Flatten the cut sheet media.
	The printer cannot detect the loaded paper.	Move the paper lever.
RELOAD PAPER INSERT DEEPLY	Cut sheet media inserted from the front manual feed slot is not inserted deep enough.	Insert the paper deeper. See "Loading paper into the front manual feed slot" on page 218.
NOT STRAIGHT RELOAD	Cut sheet media is not loaded straight, and needs to be aligned.	Load the cut sheet media correctly. See "Loading cut-sheet media" on page 207.
PAPER NOT STRAIGHT	The paper is not loaded straight.	Load paper straight.

PAPER NOT CUT	Paper is not cut correctly when Roll Auto Cut On  is selected.	Open the top cover and remove the uncut paper. If RELOAD PAPER appears on the LCD panel, reload paper.
		The paper cutter may not be installed correctly. See "Replacing the Paper Cutter" on page 240.
		Paper cutter may be blunt. Replace the paper cutter. See "Replacing the Paper Cutter" on page 240.
COMMAND ERROR	Damaged data is sent to the printer.	Stop printing, and press the Pause button for 3 seconds.
	The printer receives data with a wrong command.	
	The installed printer driver is not correct for the printer.	Stop printing, and press the Pause button for 3 seconds. Then make sure that the installed printer driver is correct for the printer.

<p>DRIVER INK SET SETTING IS WRONG MISMATCH ERROR</p> <p>Note: These messages are displayed on the LCD panel alternately.</p>	<p>The cartridge option of the printer driver has not been changed yet.</p>	<p>Stop printing, and then press and hold the Pause button for 3 seconds. Finally, select the correct ink cartridge in the printer driver according to the actual ink cartridge set on the printer. See "Updating the printer driver information" on page 238. If you want to continue printing, press the Pause button.</p>
	<p>Non-Epson genuine ink cartridge is installed.</p>	<p>Press the Pause button for 3 seconds to cancel printing. If you want to continue printing, press the Pause button.</p>
<p>LOAD ROLL PAPER</p>	<p>The roll paper is not set correctly.</p>	<p>Load the roll paper correctly, and select Roll Auto Cut On ON or Roll Auto Cut Off OFF. See "Loading roll paper" on page 199.</p>
<p>LOAD SHEET PAPER IN P. TRAY</p>	<p>The cut sheet media is not set correctly in the paper tray.</p>	<p>Set the cut sheet media in the paper tray correctly, and select Sheet S. See "Loading cut-sheet media" on page 207.</p>
<p>FEED SHEET PAPER</p>	<p>The cut sheet media needs to be loaded manually.</p>	<p>Load the cut sheet media.</p>
<p>FORBIDDEN MEDIA FROM P. TRAY</p>	<p>Cut sheet media, which is to be loaded from the front or rear manual feed slot, is being loaded from the paper tray.</p>	<p>Remove the cut sheet media from the paper tray, and load it from the proper paper feed slot. See "Checking the paper path" on page 206.</p>

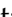
FEED SHEET PAPER MANUALLY	The cut sheet media needs to be loaded manually.	Load the cut sheet media manually from the front or rear manual feed slot. See "Checking the paper path" on page 206.
TIMES REMAINING	The conversion cartridge needs to be replaced soon. (The remaining times of the conversion cartridge appears on the LCD panel.)	Replacement of conversion cartridge is nearly needed. Press the Pause button.
REPLACE CNVRSION CRTG	The conversion cartridge needs to be replaced.	Replace the conversion cartridge with a new one. Or, complete the replacement of the K ink by pressing the Pause button.
REPLACE INK CRTG	Ink cartridge is expended.	Replace the expended ink cartridge with a new one. See "Replacing Ink Cartridges" on page 226.
PLEASE USE GENUINE EPSON INK CARTRIDGES	Non-genuine ink cartridge is installed.	Replace the ink cartridge with a genuine Epson ink cartridge. See "Replacing Ink Cartridges" on page 226 and "Consumable Products" on page 328.
NON-GENUINE CARTRIDGE MAY NOT PERFORM AT OPTIMUM. CONTINUE? <YES NO>	Non-genuine ink cartridge is installed.	Select NO (press the Menu $\blacktriangleright/\blacktriangleleft$ button) to replace the ink cartridge with a genuine Epson ink cartridge. See "Replacing Ink Cartridges" on page 226. Otherwise, select YES (press the Paper Source \blacktriangleleft button).

<p>THIS MAY VOID EPSON'S WARRANTY. DO YOU ACCEPT THIS? <ACPT. DECLINE></p>	<p>Non-genuine ink cartridge is installed. This may void EPSON's warranty.</p>	<p>Select DECLINE (press the Menu > / <) to replace the ink cartridge with a genuine Epson ink cartridge. Selecting ACCEPT (press the Paper Source < button) may void EPSON's warranty.</p>
<p>INVALID INK CRTG</p>	<p>Ink cartridge with the wrong product code is installed.</p>	<p>Remove the ink cartridge, and install the ink cartridge with the correct product code. See "Consumable Products" on page 328.</p>
<p>WRONG INK CRTG</p>	<p>Ink cartridge that cannot be used with this printer is installed.</p>	<p>Remove the ink cartridge, and install the ink cartridge that can be used with this printer. See "Consumable Products" on page 328.</p>
<p>SET INK CRTG</p>	<p>An error has occurred while reading or writing data.</p>	<p>Remove the ink cartridge and reinstall it. If this message appears after reinstalling the ink cartridge, replace it with a new one. See "Replacing Ink Cartridges" on page 226.</p>
<p>NO INK CRTG</p>	<p>Ink cartridge is not installed, or ink lever is raised to the released position.</p>	<p>Install ink cartridge, or lower the ink lever to the secured position.</p>
<p>MNT TNK FULL</p>	<p>The maintenance tank is full.</p>	<p>Replace the maintenance tank with a new one. See "Replacing the Maintenance Tank" on page 239.</p>

LOWER INK LEVERS	Both ink levers have been raised.	Lower the ink levers.
LOWER L INK LVR	The ink lever on the left ink compartment has been raised.	Lower the ink lever on the left ink compartment.
LOWER R INK LVR	The ink lever on the right ink compartment has been raised.	Lower the ink lever on the right ink compartment.
TOP COVER OPEN	Top cover is open.	Close the top cover.
LOAD PAPER	The paper lever is in the released position.	Move the paper lever to the secured position.
SET PAPER LEVER	Paper lever is in the released position.	Move the paper lever to the secured position.
RELEASE LEVER REMOVE PAPER JAM	Paper is jammed in the printer.	Release the paper lever first. Then, open the top cover if necessary and remove the jammed paper. If TURN PRINTER PWR OFF AND THEN ON appears on the LCD panel, turn the printer off, leave it for a while, and then turn it on again. See "Clearing paper jams" on page 276.
NO MNT TNK	The maintenance tank is not set in the printer.	Install the maintenance tank.
REAR COVER OPEN	The rear cover is open.	Close the rear cover.
UPDATE FAILED	The printer failed to update the firmware.	Update the firmware again.
UNLOCK PRINT HEAD	Print head is locked.	Pull the green tab on the left side of the print head to release the print head.

SERVICE REQ nnnnnnnn	Print head is locked.	Pull the green tab on the left side of the print head to release the print head.
	A fatal error has occurred.	Turn the printer off, leave it for a while, and turn the printer on again. If this message appears on the LCD panel again, note the code and contact your dealer. See "Paper Information" on page 299.

The printer does not turn on or stay on

When the Pause light does not come on and mechanism initialization does not start even when the Power  button is pressed to turn on the printer, try the following solutions for the problem.

- Turn off the printer and make sure the power cord is securely plugged into the printer.
- Make sure your outlet works and is not controlled by a wall switch or timer.
- Make sure the supplied voltage to the printer matches the rating voltage labeled on the printer. If not, turn off the printer and unplug the power cord immediately. Contact your dealer for assistance. See "Paper Information" on page 299.



Caution:

If the supplied voltage and rating voltage do not match, do not plug the printer back in again, as damage may occur.

The printer prints nothing

The printer is not correctly connected to the computer

Try one or more of these solutions:

- Turn off the printer and computer. Make sure the printer's interface cable is securely plugged into the correct terminal of the computer.
- Make sure the interface cable specifications match the specifications for the printer and computer.
- Make sure the interface cable is directly connected to the computer without passing through any device, such as a printer switching device, or extension cable.


Your Epson printer is not selected as the default printer

Install the printer driver if it is not installed yet, and follow the steps below to select your Epson printer as the default printer.

For Windows XP

1. Click Start, click Control Panel, click Printers and Other Hardware, and then click Printers and Faxes.
2. Right-click EPSON Stylus Pro XXXX.
3. Select Set As Default Printer, then close the window.

For Windows Vista

1. Click , click Control Panel, click Hardware and Sound, and then click Printers.
2. Right-click EPSON Stylus Pro XXXX.
3. Select Set As Default Printer, then close the window.

For Windows 2000

1. Click the Start button, point to Settings and select Printers.
2. Right-click EPSON Stylus Pro XXXX.
3. Select Set As Default, then close the Printers window.

For Mac OS X

Make sure that the printer driver Stylus Pro XXXX is correctly added to the Print Center (for Mac OS X 10.2.x) or Printer Setup Utility (for Mac OS X 10.3.x or later), and the correct one is selected in the Print Center or the Printer Setup Utility.


Printer port setting does not match the printer connection port (for Windows only)

To select the printer port, follow the steps below.

For Windows XP

1. Click Start, click Control Panel, click Printers and Other Hardware, and then click Printers and Faxes.
2. Right-click EPSON Stylus Pro XXXX, then select Properties.
3. Click the Ports tab.
4. Make sure that your printer port is selected.

For Windows Vista

1. Click , click Control Panel, click Hardware and Sound, and then click Printers.
2. Right-click EPSON Stylus Pro XXXX, then select Properties.
3. Click the Ports tab.

4. Make sure that your printer port is selected.

For Windows 2000

1. Click Start, point to Settings, and then select Printers.
2. Right-click EPSON Stylus Pro XXXX, then select Properties.
3. Click the Ports tab.
4. Make sure that your printer port is selected.

The printer sounds like it is printing, but nothing prints

Try one or more of these solutions:

- Run the Head Cleaning utility. For Windows, see “Using the Printer Utilities” on page 31. For Mac OS X, see “Using Printer Utilities” on page 53.
- If the Head Cleaning utility does not work, replace the ink cartridges. See “Replacing Ink Cartridges” on page 226.

Printouts are not what you expected

Incorrect, garbled characters, or blank pages print

Try one or more of these solutions:

- For Windows, clear any stalled print jobs from the Progress Meter. See “Deleting a print job waiting” on page 29.
- If the problem persists, turn off the printer and computer. Make sure the printer’s interface cable is plugged in securely.

Incorrect margins

Try one or more of these solutions:

- Check the margin settings in your application.
- Make sure the margins are within the printable area of the page. See “Printable area” on page 316.
- For Windows, check the Borderless check box in the Main menu. Make sure they are correct for the paper size you are using. See “Borderless Printing” on page 86.
- Make sure the paper set position is correct. See “Using Roll Paper” on page 195, or “Using Cut Sheet Media” on page 206.

Inverted image

For Mac OS X, turn off the Flip Horizontal setting in the Print Settings dialog. See the online help for more information.

Printed color differs from the color on the screen

Try one or more of these solutions:

- Adjust the Color Density in the Paper Configuration dialog box. See the online help for more information.
- Make sure the media type setting matches the paper being used.
- Since monitors and printers produce colors differently, printed colors will not always match on screen colors perfectly. However, the above color systems are provided to overcome color differences.

For Mac OS X, select ColorSync to color match your system in the Printer Color Management selected in the Print dialog. See the online help for more information.

- ❑ You can produce sharper images with more vivid colors.

For Windows, click Custom for the Mode in the Main menu, and select Photo Enhance, and then click Advanced to make the Photo Enhance setting. See the online help for more information.

- ❑ For Windows, click Custom for the Mode in the Main menu, and select Color Controls, and then click Advanced to adjust color, brightness, etc. as required. See the online help for more information.

For Mac OS X, select Color Controls in the Printer Color Management selected in the Print dialog. See the online help for more information.

A ruled line shifts

Perform the print head alignment. If the problem persists, perform the print head cleaning. For Windows, see “Using the Printer Utilities” on page 31. For Mac OS X, see “Using Printer Utilities” on page 53.

Printout has smears on the bottom edge

Try one or more of these solutions:

- ❑ If the paper is curled towards the printable side, flatten it or curl it slightly to the opposite side.
- ❑ For Windows, if you use Epson special media, check the Media Type setting in the Main menu. See the online help for more information.






For Mac OS X, if you use Epson special media, check the Media Type setting in the Print Settings selected in the Print dialog. See the online help for more information.

For paper other than Epson's, register and select paper thickness in Menu mode. Make sure it is correct for the paper you are using. "Making the paper settings" on page 183.

- ❑ Set the **PLATEN GAP** to **WIDE** in the **PRINTER SETTING** of Menu mode. See "PRINTER SETUP" on page 158.

Print Quality Could be Better

Click the caption under the illustration that best resembles your printout.

 <p>"Horizontal banding" on page 269</p>	 <p>"Vertical misalignment or banding" on page 270</p>
 <p>"Color documents print in black only" on page 272</p>	 <p>"Faint printout or gaps" on page 270</p>
 <p>"Blurry or smeared printout" on page 271</p>	

If you are having print quality problems, try the solutions offered here.

Horizontal banding

Try one or more of these solutions:

- For Windows, check the Media Type setting in the Main menu. Make sure it is correct for the paper you are using. See the online help for more information.

For Mac OS X, check the Media Type setting in the Print Settings selected in the Print dialog. Make sure it is correct for the paper you are using, see the online help for more information.

- Make sure the printable side of the paper is face-up.
- Run the Head Cleaning utility to clear any clogged ink nozzles. For Windows, see “Using the Printer Utilities” on page 31. For Mac OS X, see “Using Printer Utilities” on page 53.

You can also clean the print head nozzles using the control panel. To clean the print head nozzles, press the MENU >↵ button for 3 seconds.

- Check the Paper Feed value. Reduce the value to improve light banding, and increase it for dark banding. See the online help for more information.
- Check the Ink check light. If necessary, replace ink cartridges. See “Replacing Ink Cartridges” on page 226.

Vertical misalignment or banding

Try one or more of these solutions:

- ❑ For Windows, turn off the High Speed setting in the Quality Options dialog box. See the online help for more information.

For Mac OS X, turn off the High Speed setting in the Print Settings selected in the Print dialog. See the online help for more information.

- ❑ Run the Print Head Alignment utility. For Windows, see “Using the Printer Utilities” on page 31. For Mac OS X, see “Using Printer Utilities” on page 53.

Faint printout or gaps

Try one or more of these solutions:

- ❑ Make sure that the ink cartridges do not exceed the expiry date. The expiry date is labeled on the outside of the ink cartridge.
- ❑ For Windows, check the Media Type setting in the Main menu. Make sure it is correct for the paper you are using. See the online help for more information.

For Mac OS X, check the Media Type setting in the Print Settings selected in the Print dialog. Make sure it is correct for the paper you are using. See the online help for more information.

- ❑ Run the Head Cleaning utility to clear any clogged ink nozzles. For Windows, see “Using the Printer Utilities” on page 31. For Mac OS X, see “Using Printer Utilities” on page 53.

You can also clean the print head nozzles using the control panel. To clean the print head nozzles, press the Menu > button for 3 seconds.

- ❑ Check the Ink check light. If necessary, replace ink cartridges. See “Replacing Ink Cartridges” on page 226.
- ❑ Select Standard as Platen Gap in the Paper Configuration dialog box. See the online help for more information.

Blurry or smeared printout

Try one or more of these solutions:

- ❑ For Windows, check the Media Type setting in the Main menu. Make sure it is correct for the paper you are using. See the online help for more information.

For Mac OS X, check the Media Type setting in the Print Settings selected in the Print dialog. Make sure it is correct for the paper you are using. See the online help for more information.

- ❑ If the paper you are using is not supported by the printer driver, make the paper thickness setting in Menu mode. See “CUSTOM PAPER” on page 168.
- ❑ Make sure your paper is dry and the printable side is face-up. Also, make sure you are using the correct type of paper. See “Paper” on page 320 for specifications.
- ❑ Ink may have leaked inside the printer; wipe the inside of the printer with a soft, clean cloth.
- ❑ Run the Head Cleaning utility. For Windows, see “Using the Printer Utilities” on page 31. For Mac OS X, see “Using Printer Utilities” on page 53.

You can also clean the print head nozzles using the control panel. To clean the print head nozzles, press the Menu > button for 3 seconds.

Color documents print in black only

Try one or more of these solutions:

- Make sure the color data settings in your application are correct.
- For Windows, make sure Color or Color/B&W Photo is set in the Main menu. See “Black-and-White Photo Printing” on page 82.

For Mac OS X, make sure Color or Color/B&W Photo is set in the Print Settings selected in the Print dialog. See “Black-and-White Photo Printing” on page 82.

Printing could be faster

Try one or more of these solutions:

- For Windows, select the High Speed check box in the Quality Options dialog box. See the online help for more information.

For Mac OS X, select the High Speed check box in the Print Settings selected in the Print dialog. See the online help for more information.

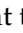
- ❑ For Windows, select Quality Options for the Print Quality in the Main menu. In the Quality Options dialog box, move the slider towards Speed to increase print speed. See the online help for more information.

For Mac OS X, select Automatic mode and move the slider towards Speed in the Print Settings selected in the Print dialog to increase print speed. See the online help for more information.

- ❑ Do not run too many applications at the same time. Close any applications you are not using.
- ❑ Change the interface of your computer to USB 2.0.
- ❑ Delete unnecessary files to make room on your hard disk drive.

Roll paper cannot be cut

Try one or more of these solutions:

- ❑ Make sure that paper cutter cover is set correctly. See “Replacing the Paper Cutter” on page 240.
- ❑ Make sure that the Roll Auto Cut On  is selected as the Paper Source on the LCD panel. Press the Paper Source < button if necessary. Then press and hold the Paper Source < button for 3 seconds. The printer cuts the roll paper.
- ❑ Make sure that Normal Cut, Single Cut, or Double Cut is selected as the Auto Cut in the printer driver. See “Roll paper cut for borderless printing” on page 97.

- ❑ Cut the roll paper by hand if necessary. Check that the paper thickness of the roll paper loaded in the printer matches the paper specification (see “Paper” on page 320). If so, the paper cutter may be blunt and require replacement. See “Replacing the Paper Cutter” on page 240.

Note:

If you use roll paper other than Epson special media, see the user documentation included with the paper, or contact your supplier.

Paper feed or paper jam problems occur frequently

Try one or more of these solutions:

- ❑ Before loading paper and guiding it through the paper insertion slot, adjust paper suction.

To adjust the paper suction using the printer driver, see the online help for more information.

To adjust the paper suction using the control panel, see “CUSTOM PAPER” on page 168.

- ❑ Make sure the paper is not folded or wrinkled.
- ❑ Make sure the paper is flattened.
- ❑ Make sure printing occurs within the operational temperature range.
- ❑ Make sure the paper is not damp.
- ❑ Make sure the paper is not too thick or too thin. See “Paper” on page 320.
- ❑ Make sure no foreign objects are inside the printer.

- ❑ For Windows, check the Media Type setting in the Main menu. Make sure it is correct for the paper you are using. See the online help for more information.

For Mac OS X, check the Media Type setting in the Print Settings selected in the Print dialog. Make sure it is correct for the paper you are using. See the online help for more information.

- ❑ Make sure that the platen gap setting matches your paper. You can change the platen gap setting in the **PRINTER SETUP** of Menu mode. See “**PLATEN GAP**” on page 159.
- ❑ For non-Epson special media, check the paper type selected in the **CUSTOM PAPER** of Menu mode. See “**Making the paper settings**” on page 183.

Whenever loading non-Epson special media, test if the paper can be loaded correctly before printing.

To clear paper jams, see “**Clearing paper jams**” on page 276.

Roll paper does not eject properly

Try one or more of these solutions:

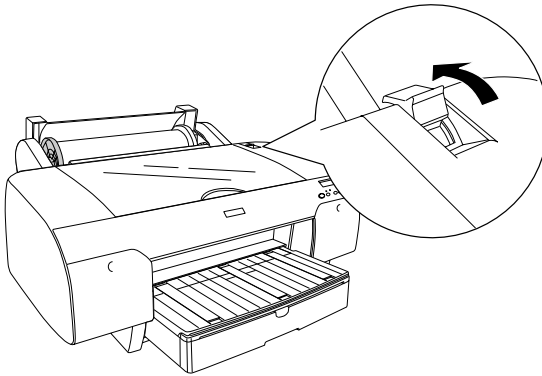
- ❑ Roll paper is wound tightly and may feed with a curl. Flatten it before you load it.
- ❑ Select Starwheel-Roll Curled as the Eject Roller Type in the Paper Configuration dialog box. See the online help for more information.

Clearing paper jams

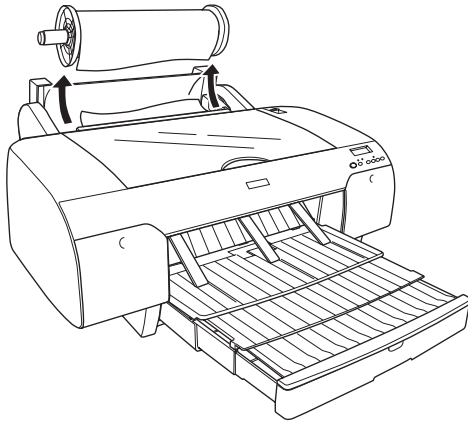
When roll paper is jammed

To remove jammed roll paper, follow the steps below:

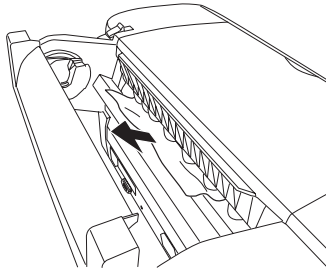
1. Turn off the printer.
2. Open the roll paper cover, and move the paper lever to the released position.



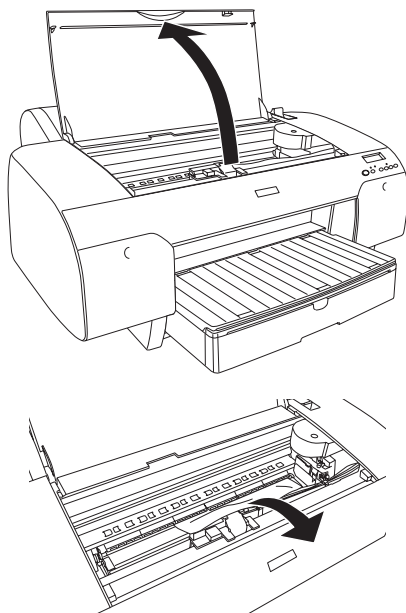
- Cut the paper at the paper insertion slot, and remove the roll paper.



- Remove the jammed paper from the front or rear side of the printer.

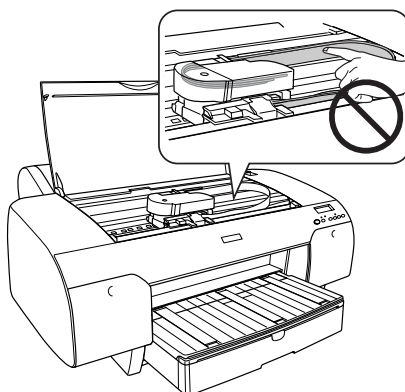


If necessary, open the top cover, and remove the jammed paper.



Caution:

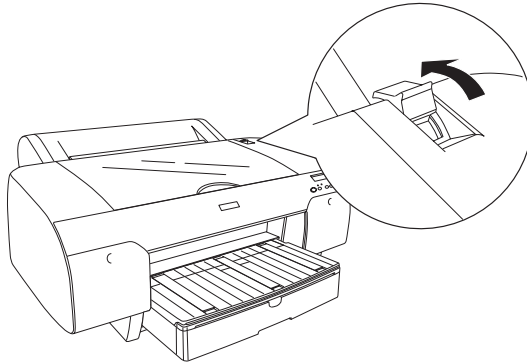
Be careful not to touch the parts highlighted below; otherwise, the printer may be damaged.



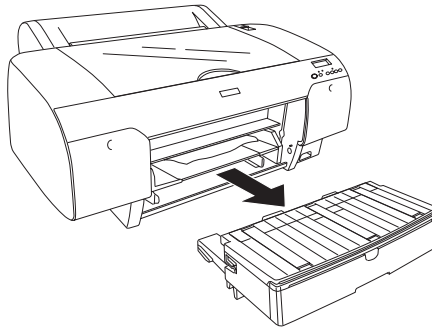
When paper loaded from the paper tray is jammed

To remove jammed paper, follow the steps below.

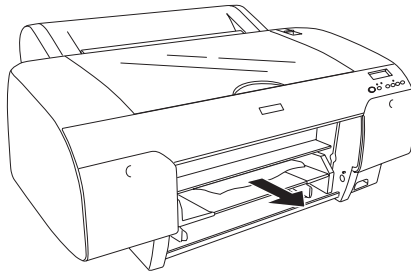
1. Turn off the printer.
2. Move the paper lever to the released position.



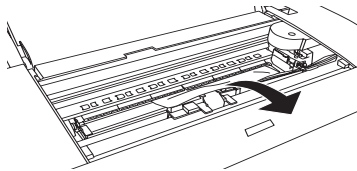
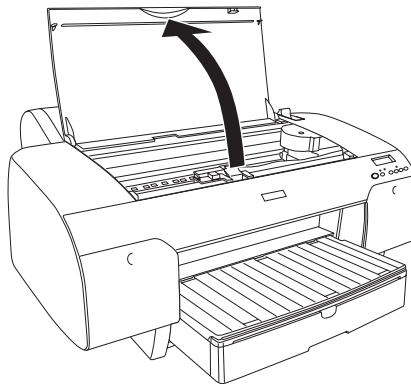
3. Remove the paper tray from the printer.



- Carefully remove the jammed paper.



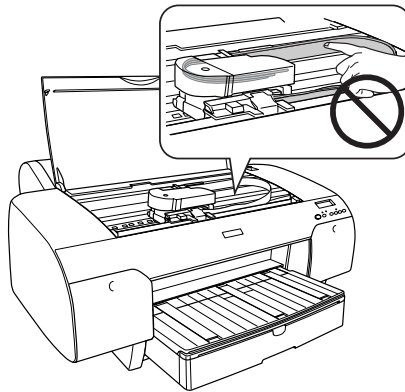
If necessary, open the top cover, and remove the jammed paper.



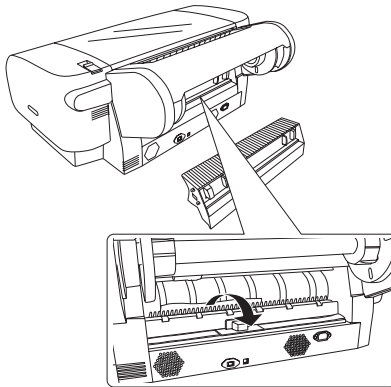
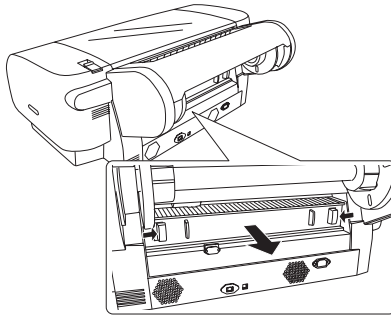


Caution:

Be careful not to touch the parts highlighted below; otherwise, the printer may be damaged.



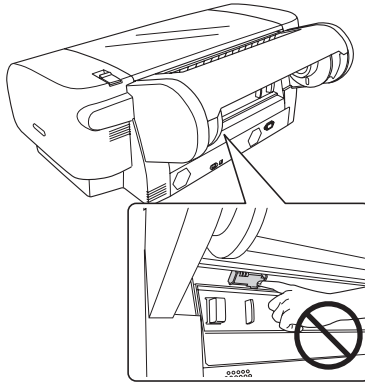
If the paper is jammed around the rear cover, remove the rear cover by squeezing the knobs, and remove the jammed paper.





Caution:

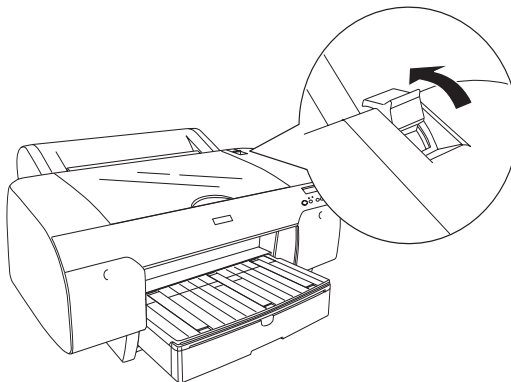
Be careful not to touch the parts highlighted below; otherwise, the printer may be damaged.



When paper loaded from the front manual feed slot is jammed

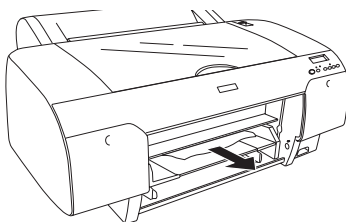
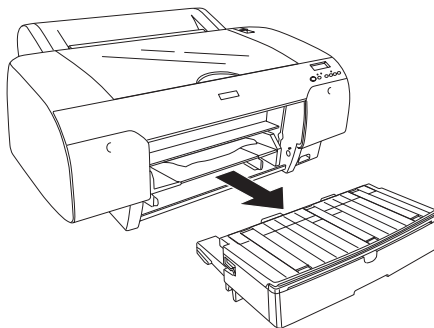
To remove jammed paper, follow the steps below:

1. Turn off the printer.
2. Move the paper lever to the released position.

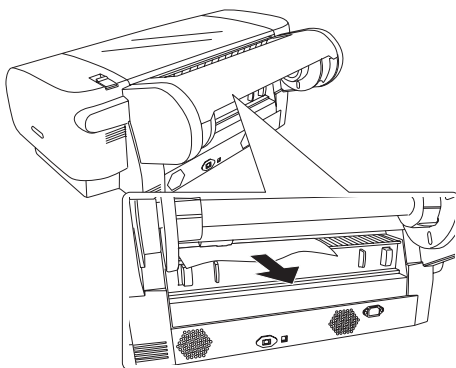


3. Remove the jammed paper from the front or rear side of the printer.

Front



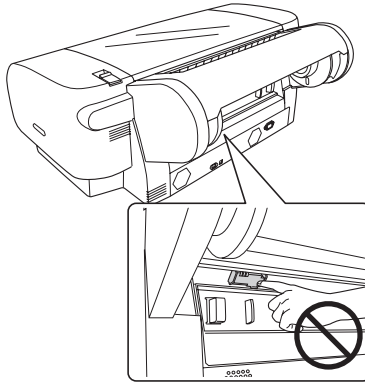
Rear





Caution:

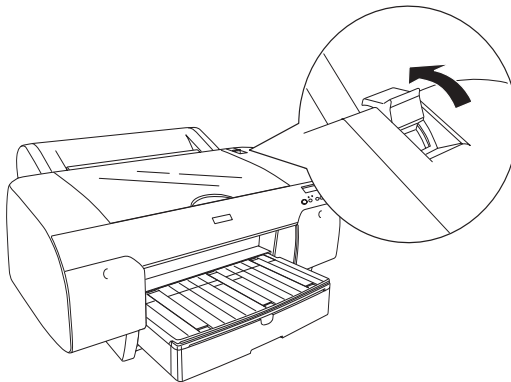
Be careful not to touch the parts highlighted below; otherwise, the printer may be damaged.



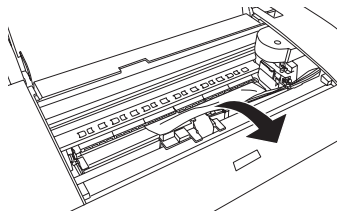
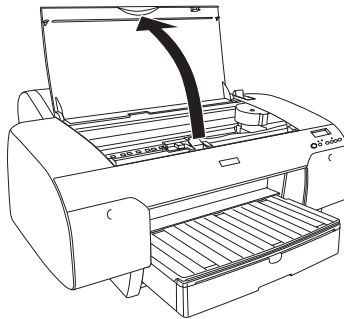
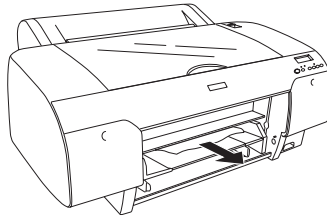
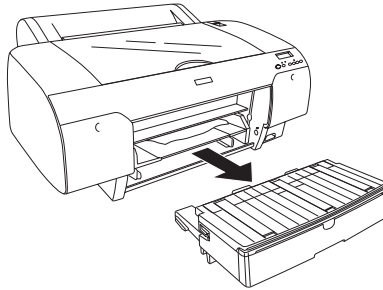
When paper loaded from the rear manual feed slot is jammed

To remove jammed paper, follow the steps below:

1. Turn off the printer.
2. Move the paper lever to released position.



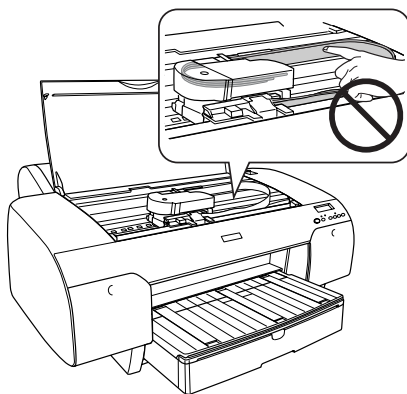
3. Remove the jammed paper from the front. If necessary, open the top cover and remove the jammed paper.





Caution:

Be careful not to touch the parts highlighted below; otherwise, the printer may be damaged.



Contacting Customer Support

Before Contacting Epson

If your Epson product is not operating properly and you cannot solve the problem using the troubleshooting information in your product documentation, contact customer support services for assistance. If customer support for your area is not listed below, contact the dealer where you purchased your product.

Customer support will be able to help you much more quickly if you give them the following information:

- Product serial number
(The serial number label is usually on the back of the product.)
- Product model
- Product software version
(Click **About**, **Version Info**, or similar button in the product software.)
- Brand and model of your computer
- Your computer operating system name and version
- Names and versions of the software applications you normally use with your product

Help for Users in North America

Epson provides the technical support services listed below.

Internet Support

Visit Epson's support Web site at <http://support.epson.com> and select your product for solutions to common problems. You can download drivers and documentation, get FAQs and troubleshooting advice, or e-mail Epson with your questions.

Speak to a Support Representative

Dial: (562) 276-1300 (U.S.), or (905) 709-9475 (Canada), 6 am to 6 pm, Pacific Time, Monday through Friday. Toll or long distance charges may apply.

Before you call Epson for support, please have the following information ready:

- Product name
- Product serial number
- Proof of purchase (such as a store receipt) and date of purchase
- Computer configuration
- Description of the problem

Note:

For help using any other software on your system, see the documentation for that software for technical support information.

Purchase Supplies and Accessories

You can purchase genuine Epson ink cartridges, ribbon cartridges, paper, and accessories from an Epson authorized reseller. To find the nearest reseller, call 800-GO-EPSON (800-463-7766). Or you can purchase online at <http://www.epsonstore.com> (U.S. sales) or <http://www.epson.ca> (Canadian sales).

Help for Users in Europe

Check your **Pan-European Warranty Document** for information on how to contact EPSON Customer support.

Help for Users in Australia

Epson Australia wishes to provide you with a high level of customer service. In addition to your product documentation, we provide the following sources for obtaining information:

Your Dealer

Don't forget that your dealer can often help identify and resolve problems. The dealer should always be the first call for advise on problems; they can often solve problems quickly and easily as well as give advise on the next step to take.

Internet URL <http://www.epson.com.au>

Access the Epson Australia World Wide Web pages. Worth taking your modem here for the occasional surf! The site provides a download area for drivers, Epson contact points, new product information and technical support (e-mail).

Epson Helpdesk

Epson Helpdesk is provided as a final backup to make sure our clients have access to advice. Operators on the Helpdesk can aid you in installing, configuring and operating your Epson product. Our Pre-sales Helpdesk staff can provide literature on new Epson products and advise where the nearest dealer or service agent is located. Many types of queries are answered here.

The Helpdesk numbers are:

Phone: 1300 361 054

Fax: (02) 8899 3789

We encourage you to have all the relevant information on hand when you ring. The more information you prepare, the faster we can help solve the problem. This information includes your Epson product documentation, type of computer, operating system, application programs, and any information you feel is required.

Help for Users in Singapore

Sources of information, support, and services available from Epson Singapore are:

World Wide Web (<http://www.epson.com.sg>)

Information on product specifications, drivers for download, Frequently Asked Questions (FAQ), Sales Enquiries, and Technical Support via e-mail are available.

Epson HelpDesk (Phone: (65) 6586 3111)

Our HelpDesk team can help you with the following over the phone:

- Sales enquiries and product information

- Product usage questions or problem
- Enquiries on repair service and warranty

Help for Users in Thailand

Contact for information, support, and services are:

World Wide Web (<http://www.epson.co.th>)

Information on product specifications, drivers for download, Frequently Asked Questions (FAQ), and e-mail are available.

Epson Hotline (Phone: (66)2-670-0333)

Our Hotline team can help you with the following over the phone:

- Sales enquiries and product information
- Product usage questions or problem
- Enquiries on repair service and warranty

Help for Users in Vietnam

Contacts for information, support, and services are:

Epson Hotline (Phone): 84-8-823-9239

Service Center: 80 Truong Dinh Street, District 1,
Hochiminh City Vietnam

Help for Users in Indonesia

Contacts for information, support, and services are:

World Wide Web (<http://www.epson.co.id>)

- Information on product specifications, drivers for download
- Frequently Asked Questions (FAQ), Sales Enquiries, questions through e-mail

Epson Hotline

- Sales enquiries and product information
- Technical support

Phone (62) 21-572 4350

Fax (62) 21-572 4357

Epson Service Center

Jakarta Mangga Dua Mall 3rd floor No 3A/B
Jl. Arteri Mangga Dua,
Jakarta
Phone/Fax: (62) 21-62301104

Bandung Lippo Center 6th floor
Jl. Gatot Subroto No.2
Bandung
Phone/Fax: (62) 22-7303766

Surabaya Hitech Mall It IIB No. 12
Jl. Kusuma Bangsa 116 – 118
Surabaya Phone: (62) 31-5355035
Fax: (62)31-5477837

Yogyakarta Hotel Natour Garuda
Jl. Malioboro No. 60
Yogyakarta
Phone: (62) 274-565478

Medan	Wisma HSBC 4th floor Jl. Diponegoro No. 11 Medan Phone/Fax: (62) 61-4516173
Makassar	MTC Karebosi Lt. III Kav. P7-8 Jl. Ahmad Yani No.49 Makassar Phone: (62)411-350147/411-350148

Help for Users in Hong Kong

To obtain technical support as well as other after-sales services, users are welcome to contact Epson Hong Kong Limited.

Internet Home Page

Epson Hong Kong has established a local home page in both Chinese and English on the Internet to provide users with the following information:

- Product information
- Answers to Frequently Asked Questions (FAQs)
- Latest versions of Epson product drivers

Users can access our World Wide Web home page at:

<http://www.epson.com.hk>

Technical Support Hotline

You can also contact our technical staff at the following telephone and fax numbers:

Phone: (852) 2827-8911

Fax: (852) 2827-4383

Help for Users in Malaysia

Contacts for information, support, and services are:

World Wide Web (<http://www.epson.com.my>)

- Information on product specifications, drivers for download
- Frequently Asked Questions (FAQ), Sales Enquiries, questions through e-mail

Epson Trading (M) Sdn. Bhd.

Head Office.

Phone: 603-56288288

Fax: 603-56288388/399

Epson Helpdesk

- Sales enquiries and product information (Infoline)

Phone: 603-56288222

- Enquiries on repair services & warranty, product usage and technical support (Techline)

Phone: 603-56288333

Help for Users in India

Contacts for information, support, and services are:

World Wide Web (<http://www.epson.co.in>)

Information on product specifications, drivers for download, and products enquiry are available.

Epson India Head Office - Bangalore

Phone: 080-30515000

Fax: 30515005

Epson India Regional Offices:

Location	Telephone number	Fax number
Mumbai	022-28261515 /16/17	022-28257287
Delhi	011-30615000	011-30615005
Chennai	044-30277500	044-30277575
Kolkata	033-22831589 / 90	033-22831591
Hyderabad	040-66331738/ 39	040-66328633
Cochin	0484-2357950	0484-2357950
Coimbatore	0422-2380002	NA
Pune	020-30286000 /30286001 /30286002	020-30286000
Ahmedabad	079-26407176 / 77	079-26407347

Helpline

For Service, Product info or to order a cartridge - 18004250011
(9AM - 9PM) - This is a Toll-free number.

For Service (CDMA & Mobile Users) - 3900 1600 (9AM - 6PM)
Prefix local STD code

Help for Users in the Philippines

To obtain technical support as well as other after sales services, users are welcome to contact the Epson Philippines Corporation at the telephone and fax numbers and e-mail address below:

Phone: (63) 2-813-6567
Fax: (63) 2-813-6545
E-mail: epchelpdesk@epc.epson.com.ph

World Wide Web (<http://www.epson.com.ph>)

Information on product specifications, drivers for download, Frequently Asked Questions (FAQ), and E-mail Enquiries are available.

Epson Helpdesk (Phone: (63) 2-813-6567)

Our Hotline team can help you with the following over the phone:

- Sales enquiries and product information
- Product usage questions or problems
- Enquiries on repair service and warranty

Paper Information

Epson offers specially designed media for ink jet printers to meet most high-quality printing needs.

Item	Explanation
Media name	Describes the media name.
Recommended application	Describes the recommended application for the media.
Size	Describes the paper size for cut sheet media and the width for roll paper.
Thickness	Describes the thickness of each media.
Core diameter	Describes the core diameter of the roll paper.
Spindle tension	Describes the spindle tension. Normal: Normal tension mode High: High tension mode
Borderless	Describes whether borderless printing is available. R or Recommended: R stands for Recommended. The recommended paper for borderless printing. Possible: Borderless printing is possible.* Impossible: Borderless printing is not supported. * You can print without margins on paper; however, it may deteriorate print quality, or may produce unwanted margins due to paper expansion or shrinkage. Also, some ordinary paper products cannot be used for borderless printing.
ICC profile	Describes the ICC profile of the media type. It is shown as the profile name in the printer driver or the application. The file name of the profile is used as the profile name in the printer driver or the application. Each profile is provided for the paper products for which both Photo Black ink and Matte Black ink can be used.

Item	Explanation
Media type of the printer driver	Describes the Media Type of the printer driver. Be sure to match the media type you set in the printer driver and the paper loaded in the printer; otherwise, the print quality may decline.
Auto Cut	Describes whether Auto Cut is supported. Y: Auto Cut is supported. N: Auto Cut is not supported. Use a cutter sold at a store to cut the paper.

Roll paper

Premium Glossy Photo Paper (250)					
Recommended application		Photograph / Contact Proof			
Size		Borderless	Thickness	Core diameter	Spindle tension
406 mm	16"	R	0.27 mm	3"	Normal
ICC profile		Media type of the printer driver			Auto Cut
Photo Black	Matte Black	Photo Paper	Premium Glossy Photo Paper (250)	Y	
Pro4880 PGPP250.icc	-				

Premium Semigloss Photo Paper (250)					
Recommended application		Photograph / Contract Proof			
Size		Borderless	Thickness	Core diameter	Spindle tension
406 mm	16"	R	0.27 mm	3"	Normal
ICC profile		Media type of the printer driver			Auto Cut
Photo Black	Matte Black	Photo Paper	Premium Semigloss Photo Paper (250)	Y	
Pro4880 PSPP250.icc	-				

Premium Luster Photo Paper (260)					
Recommended application		Photograph			
Size		Borderless	Thickness	Core diameter	Spindle tension
254 mm	10"	R	0.27 mm	3"	Normal
300 mm					
406 mm	16"				
ICC profile		Media type of the printer driver			Auto Cut
Photo Black	Matte Black	Photo Paper	Premium Luster Photo Paper (260)		Y
Pro4880 PLPP260.icc	-				

Photo Paper Gloss 250					
Recommended application		Photograph			
Size		Borderless	Thickness	Core diameter	Spindle tension
432 mm	17"	R	0.25 mm	3"	Normal
ICC profile		Media type of the printer driver			Auto Cut
Photo Black	Matte Black	Photo Paper	Photo Paper Gloss 250		Y
Pro4880 PPG250.icc	-				

Premium Glossy Photo Paper (170)					
Recommended application		Photograph / Contract Proof			
Size		Borderless	Thickness	Core diameter	Spindle tension
420 mm (A2)		R*	0.18 mm	2"	Normal
ICC profile		Media type of the printer driver		Auto Cut	
Photo Black	Matte Black	Photo Paper	Premium Glossy Photo Paper (170)	Y	
Pro4880 PGPP170.icc	Pro4450 PGPP170.icc				

* requires optional Borderless Print Spacer

Premium Semigloss Photo Paper (170)					
Recommended application		Photograph / Contract Proof			
Size		Borderless	Thickness	Core diameter	Spindle tension
420 mm (A2)		R*	0.18 mm	2"	Normal
ICC profile		Media type of the printer driver		Auto Cut	
Photo Black	Matte Black	Photo Paper	Premium Semigloss Photo Paper (170)	Y	
Pro4880 PSPP170.icc	Pro4450 PSPP170.icc				

* requires optional Borderless Print Spacer

Singleweight Matte Paper					
Recommended application		Indoor Signage / Proof			
Size		Borderless	Thickness	Core diameter	Spindle tension
432 mm	17"	Possible	0.14 mm	2"	Normal
ICC profile		Media type of the printer driver			Auto Cut
Photo Black	Matte Black	Matte Paper	Singleweight Matte Paper		Y
Pro4880 SWMP_PK.icc	Pro4880 SWMP_MK.icc Pro4450 SWMP.icc				

Epson Proofing Paper White Semimatte					
Recommended application		Contract Proof			
Size		Borderless	Thickness	Core diameter	Spindle tension
329 mm	13"	Possible	0.25 mm	3"	Normal
432 mm	17"				
ICC profile		Media type of the printer driver			Auto Cut
Photo Black	Matte Black	Proofing Paper	Epson Proofing Paper White Semimatte		Y
Pro4880 Proof_WS.icc	-				

Epson Proofing Paper Publication					
Recommended application		Contract Proof			
Size		Borderless	Thickness	Core diameter	Spindle tension
329 mm	13"	Possible	0.2 mm	3"	Normal
432 mm	17"				
ICC profile		Media type of the printer driver			Auto Cut
Photo Black	Matte Black	Proofing Paper	Epson Proofing Paper Publication	Y	
Pro4880 Proof_Pub.icc	-				

Enhanced Matte Paper					
Recommended application		Indoor Signage / Photograph/ Fine Art Reproduction / Proof			
Size		Borderless	Thickness	Core diameter	Spindle tension
432 mm	17"	Possible	0.25 mm	3"	Normal
ICC profile		Media type of the printer driver			Auto Cut
Photo Black	Matte Black	Matte Paper	Enhanced Matte Paper	Y	
Pro4880 EMP_PK.icc	Pro4880 EMP_MK.icc Pro4450 EMP.icc				

UltraSmooth Fine Art Paper					
Recommended application		Photograph/ Fine Art Reproduction			
Size		Borderless	Thickness	Core diameter	Spindle tension
432 mm	17"	Possible	0.32 mm	3"	High
ICC profile		Media type of the printer driver			Auto Cut
Photo Black	Matte Black	Fine Art Paper	UltraSmooth Fine Art Paper	N	
Pro4880 USFAP_PK.icc	Pro4880 USFAP_MK.icc				

Textured Fine Art Paper					
Recommended application		Photograph/ Fine Art Reproduction			
Size		Borderless	Thickness	Core diameter	Spindle tension
432 mm	17"	Possible	0.37 mm	3"	High
ICC profile		Media type of the printer driver			Auto Cut
Photo Black	Matte Black	Fine Art Paper	Textured Fine Art Paper	N	
Pro4880 TFAP_PK.icc	Pro4880 TFAP_MK.icc				

Cut sheets

Premium Glossy Photo Paper			
Recommended application		Photograph / Contract Proof	
Size	Borderless	Thickness	
A4	Recommended	0.27 mm	
Letter			
A3			
Super A3/B			
8" × 10"	Impossible		
10" × 12"	Recommended		
11" × 14"	Impossible		
ICC profile		Media type of the printer driver	
Photo Black	Matte Black	Photo Paper	Premium Glossy Photo Paper
Pro4880 PGPP.icc	-		

Premium Semigloss Photo Paper			
Recommended application		Photograph / Contract Proof	
Size	Borderless	Thickness	
A4	Recommended	0.27 mm	
Letter			
A3			
Super A3/B			
ICC profile		Media type of the printer driver	
Photo Black	Matte Black	Photo Paper	Premium Semigloss Photo Paper
Pro4880 PSPP.icc	-		

Premium Luster Photo Paper			
Recommended application		Photograph / Contract Proof	
Size		Borderless	Thickness
Letter		Recommended	0.27 mm
Super A3/B			
ICC profile		Media type of the printer driver	
Photo Black	Matte Black	Photo Paper	Premium Luster Photo Paper
Pro4880 PLPP.icc	-		

Singleweight Matte Paper			
Recommended application		Indoor Signage / Proof	
Size		Borderless	Thickness
Super A3/B		Recommended	0.14 mm
A2			
US C		Recommended	
ICC profile		Media type of the printer driver	
Photo Black	Matte Black	Matte Paper	Singleweight Matte Paper
Pro4880 SWMP_PK.icc	Pro4880 SWMP_MK.icc Pro4450 SWMP.icc		

Photo Quality Ink Jet Paper			
Recommended application		Indoor Signage / Proof	
Size		Borderless	Thickness
A4		Recommended	0.12 mm
Letter			
ICC profile		Media type of the printer driver	
Photo Black	Matte Black	Matte Paper	Photo Quality Ink Jet Paper
Pro4880 PQIJP_PK.icc	Pro4880 PQIJP_MK.icc		
	Pro4450 PQIJP.icc		

Epson Proofing Paper White Semimatte			
Recommended application		Contract Proof	
Size		Borderless	Thickness
Super A3/B		Recommended	0.25 mm
ICC profile		Media type of the printer driver	
Photo Black	Matte Black	Proofing Paper	EpsonProofingPaper White Semimatte
Pro4880 Proof_WS.icc	-		

Enhanced Matte Paper			
Recommended application		Indoor Signage / Photograph / Fine Art Reproduction / Proof	
Size		Borderless	Thickness
A4		Recommended	0.26 mm
Letter			
A3			
Super A3/B			
A2		Impossible	
US C		Recommended	
ICC profile		Media type of the printer driver	
Photo Black	Matte Black	Matte Paper	Enhanced Matte Paper
Pro4880 EMP_PK.icc	Pro4880 EMP_MK.icc Pro4450 EMP.icc		

Archival Matte Paper			
Recommended application		Indoor Signage / Photograph / Fine Art Reproduction / Proof	
Size		Borderless	Thickness
A4		Recommended	0.26 mm
A3			
Super A3/B			
ICC profile		Media type of the printer driver	
Photo Black	Matte Black	Matte Paper	Archival Matte Paper
Pro4880 ARMP_PK.icc	Pro4880 ARMP_MK.icc Pro4450 ARMP.icc		

Watercolor Paper - Radiant White			
Recommended application		Photograph / Fine Art Reproduction	
Size		Borderless	Thickness
Super A3/B		Recommended	0.29 mm
ICC profile		Media type of the printer driver	
Photo Black	Matte Black	Fine Art Paper	Watercolor Paper - Radiant White
Pro4880 WCRW_PK.icc	Pro4880 WCRW_MK.icc		

UltraSmooth Fine Art Paper			
Recommended application		Photograph / Fine Art Reproduction	
Size		Borderless	Thickness
Super A3/B		Possible	0.46 mm
A2		Impossible	
US C		Possible	
ICC profile		Media type of the printer driver	
Photo Black	Matte Black	Fine Art Paper	UltraSmooth Fine Art Paper
Pro4880 USFAP_PK.icc	Pro4880 USFAP_MK.icc		

Velvet Fine Art Paper			
Recommended application		Photograph / Fine Art Reproduction	
Size		Borderless	Thickness
Letter		Recommended	0.48 mm
Super A3/B			
A2		Impossible	
US C		Recommended	
ICC profile		Media type of the printer driver	
Photo Black	Matte Black	Fine Art Paper	Velvet Fine Art Paper
Pro4880 VFAP_PK.icc	Pro4880 VFAP_MK.icc		

Technical Support Web Site

Epson's Technical Support Web Site provides help with problems that cannot be solved using the troubleshooting information in your product documentation. If you have a Web browser and can connect to the Internet, access the site at:

http://support.epson.net/index.htm?product=Stylus_Pro_4450

http://support.epson.net/index.htm?product=Stylus_Pro_4880

http://support.epson.net/index.htm?product=Stylus_Pro_4880C

If you need the latest drivers, FAQ's, manuals, or other downloadables, access the site at:

<http://www.epson.com>

Then, select the support section of your local Epson Web site.

Chapter 8

Product Information

Printer Specifications

Printing

Printing method	On-demand ink jet	
Nozzle configuration	EPSON Stylus Pro 4450	Black: 180 nozzles × 2 (Matte Black × 2)
		Color: 180 nozzles × 6 (Cyan × 2, Magenta × 2, Yellow × 2)
	EPSON Stylus Pro 4880/4880C	Black: 180 nozzles × 3 (Photo Black or Matte Black, Light Black, Light Light Black)
		Color: 180 nozzles × 5 (Cyan, Vivid Magenta, Light Cyan, Vivid Light Magenta, Yellow)

Character mode	Character Pitch	Printing Column
	10 cpi*	167

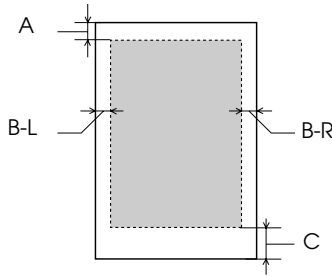
* characters per inch

Raster graphic mode	Horizontal resolution	Printable width	Available dots
	360 dpi*	425.8 mm (17.03 inches)	5904
	720 dpi	425.8 mm (17.03 inches)	11814
	1440 dpi	425.8 mm (17.03 inches)	23629
	2880 dpi	425.8 mm (17.03 inches)	47259

* dots per inch

Resolution	Maximum 2880 × 1440 dpi
Print direction	Bidirectional
Control code	ESC/P Raster
Line spacing	1/6 inch or programmable in 1440 inch increments
Paper feed speed	215 ± 10 mm seconds per 1/6 inch line
RAM	64 MB
Character tables	PC 437 (US, Standard Europe) PC 850 (Multilingual)
Character sets	EPSON Courier 10 cpi

Printable area



A	Roll paper	The minimum top margin is 3.0 mm (0.12")
	Cut sheets	The minimum top margin is 3.0 mm (0.12")
B-L	Roll paper	The minimum left margin is 0 mm (0")
	Cut sheets	The minimum left margin is 0 mm (0")
B-R	Roll paper	The minimum right margin is .0 mm (0")
	Cut sheets	The minimum right margin is 0 mm (0")
C	Roll paper	The minimum bottom margin is 3.0 mm (0.12")
	Cut sheets	The minimum bottom margin is 14.0 mm (0.55")

For roll paper, the following margin widths can be selected using the control panel as follows. For details, see "PAPER MARGIN" on page 160.

Parameter	A	B-L	B-R	C
DEFAULT	See the list below.			
T/B 15 mm	15 mm	3 mm	3 mm	15 mm
T/B 25 mm	25 mm	3 mm	3 mm	25 mm
15 mm	15 mm	15 mm	15 mm	15 mm
3 mm	3 mm	3 mm	3 mm	3 mm

The following table shows the default paper margin for the paper.

Roll Paper	Top/Bottom	Left/Right
Plain Paper Singleweight Matte Paper Enhanced Matte Paper Premium Luster Photo Paper (260) Photo Paper Gloss 250 Premium Glossy Photo Paper (170) Premium Semigloss Photo Paper (170) Epson Proofing Paper White Semimatte Epson Proofing Paper Publication Textured Fine Art Paper UltraSmooth Fine Art Paper	15 mm	3 mm
Premium Glossy Photo Paper (250) Premium Semigloss Photo Paper (250)	20 mm	3 mm

Note:

The printer automatically detects the dimensions of the paper that is loaded. Print data that exceeds the printable area of the paper cannot be printed.

Mechanical

Paper feed method	Friction
Paper path	Roll paper
	Cut sheets (paper tray/front manual insertion/rear manual insertion)
Dimensions	Width: 848 mm (33.39 inches) Depth: 765 mm (30.12 inches) Height: 354 mm (13.94 inches)
Weight	EPSON Stylus Pro 4450: Approx. 39.0 kg (85.8 lb) without consumables EPSON Stylus Pro 4880/4880C: Approx. 40.2 kg (88.44 lb) without consumables

Electrical

Rated voltage	100 to 240 V
Input voltage range	90 to 264 V
Rated frequency range	50 to 60 Hz
Input frequency range	49 to 61 Hz
Rated current	1.0 - 0.5 A
Power consumption	Approx. 55 W
	5 W or less in Sleep mode
	1 W or less in Power off mode

Note:

Check the label on the back of the printer for voltage information.

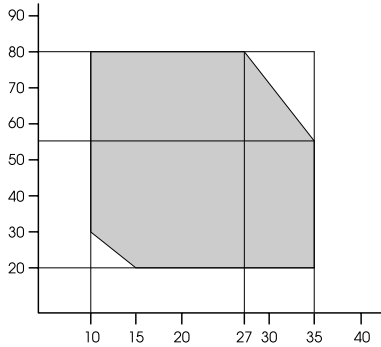
Environmental

Temperature	Operation	10 to 35°C (50 to 95°F)
	Print Quality Guarantee	15 to 25°C (59 to 77°F)
	Storage	-20 to 40°C (-4 to 104°F)
Humidity	Operation	20 to 80% RH*
	Print Quality Guarantee	40 to 60% RH*
	Storage	20 to 85% RH**

* Without condensation

** Stored in shipping container

Operational conditions (temperature and humidity):



Standards and Approvals

Safety	UL 60950	
	CSA C22.2 No. 60950	
	Low Voltage Directive 2006/95/EC	EN 60950-1
EMC	FCC part 15 subpart B class B	
	CAN/CAS-CEI/IEC CISPR 22 Class B	
	AS/NZS CISPR 22 Class B	
	EMC Directive 2004/108/EC	EN 55022 Class A
		EN 55024
	EN 61000-3-2	
	EN 61000-3-3	

For Users in Europe



Warning:

This is a class A product. In a domestic environment this product may cause radio interference in which case the user may be required to take adequate measures.

Paper

Roll paper:

Size	203 mm (8 inches) to 432 mm (17 inches) (W) × 45000 mm (1771.68 inches) (L) when internal diameter is 2 inches
	203 mm (8 inches) to 432 mm (17 inches) (W) × 20200 mm (7952.88 inches) (L) when internal diameter is 3 inches
Outer diameter	103 mm (4.05 inches) maximum when 2/3 dual roll feed spindle is set as 2 inch roll paper spindle
	150 mm (5.90 inches) maximum when 2/3 dual roll feed spindle is set as 3 inch roll paper spindle.
Paper types	Plain paper, special papers distributed by Epson
Thickness (for plain paper)	0.08 to 0.11 mm (0.003 to 0.004 inches)
Weight (for plain paper)	64 gf/m ² (17 lb) to 90 gf/m ² (24 lb)

Cut sheets:

Size	8 × 10 inches, 203.2 × 254 mm
	A4 (210 × 297 mm)
	Letter (8.5 × 11 inches, 215.9 × 279.4 mm)
	B4 (257 × 364 mm)
	11 × 14 inches, 279.4 × 355.6 mm
	US B (11 × 17 inches, 279.4 × 431.8 mm)
	A3 (297 × 420 mm)
	300 × 450 mm
	Super A3/B (329 × 483 mm)
	B3 (364 × 515 mm)
	400 × 600 mm
	A2 (420 × 594 mm)
	16 × 20 inches, 406.4 × 508 mm
	US C (17 × 22 inches, 431.8 × 558.8 mm)
Paper types	Plain paper, special papers distributed by Epson
Thickness (for plain paper)	0.08 to 0.11 mm (0.003 to 0.004 inches)
Weight (for plain paper)	64 gf/m ² (17 lb) to 90 gf/m ² (24 lb)

Note:

- ❑ *Since the quality of any particular brand or type of paper may be changed by the manufacturer at any time, Epson cannot attest to the quality of any non-Epson brand or type of paper. Always test samples of paper before purchasing large quantities or printing large jobs.*
- ❑ *Poor quality paper may reduce print quality and cause paper jams or other problems. If you encounter problems, switch to a higher grade of paper.*

- When the paper is curled or folded, flatten them before loading.

Ink cartridges

Colors	EPSON Stylus Pro 4450	Matte Black
		Cyan
		Magenta
		Yellow
	EPSON Stylus Pro 4880/4880C	Photo Black
		Matte Black
		Light Black
		Light Light Black
		Cyan
		Vivid Magenta
		Yellow
		Light Cyan
		Vivid Light Magenta
		Cartridge life
Within 6 months after opening package.		
Temperature	Storage (uninstalled)	-20 to 40°C (-4 to 104°F)
		1 month at 40°C (104°F)
	Storage (installed)	-20 to 40°C (-4 to 104°F)
		1 month at 40°C (104°F)
Capacity	110 ml	
	220 ml	

Dimensions	110 ml: 25.1 mm (W) × 165.8 mm (D) × 105.3 mm (H) (0.98 inches (W) × 6.52 inches (D) × 4.14 inches (H))
	220 ml: 25.1 mm (W) × 280.8 mm (D) × 105.3 mm (H) (0.98 inches (W) × 11.05 inches (D) × 4.14 inches (H))
Weight	110 ml: Approx. 200 g (0.44 lb)
	220 ml: Approx. 385 g (0.85 lb)

Note:

- ❑ *The ink cartridges packaged with your printer are partly used during initial setup. In order to produce high-quality prints, the print head in your printer will be fully charged with ink. This one-off process consumes a quantity of ink and therefore these cartridges print fewer pages compared to subsequent ink cartridges.*
- ❑ *Actual ink consumption may vary depending on the images that you are printing, the paper type that you are using, the frequency of your printings and environmental conditions such as temperature.*
- ❑ *To ensure you receive premium print quality and to help protect your print head, a variable ink safety reserve remains in the cartridge when your printer indicates to replace the cartridge.*
- ❑ *Ink is consumed during the following operations: print head cleaning and ink charging when an ink cartridge is installed.*
- ❑ *To maintain print quality, we recommend printing a few pages on a regular basis.*

System Requirements

Your computer should meet the following system requirements to use the printer driver.

To use your printer with Windows

Operating system	Windows Vista x64, Vista, XP x64, XP, 2000
CPU	Pentium 4 1.4 GHz or higher processor
Memory	256 MB RAM or more
Hard disk space	3 GB or more free hard disk space
Interface	USB2.0 High Speed Ethernet 10BaseT/100BaseTX
Display	SVGA (800 × 600) or higher resolution

Note:

- For Windows 2000, you must log in as a user with administrator rights (a user belonging to the Administrators group).*
- For Windows XP/Vista, you must log in as a user with an Administrator account. You cannot install the printer driver with a limited account. When you install the printer software in Windows Vista, the password may be required. If you are asked for the password, enter it and continue the operation.*

To use your printer with Mac OS X

Operating system	PowerPC-based Macintosh computers running Mac OS X 10.2.8 or later Intel-based Macintosh computers with Rosetta
CPU	PowerPC G4 867MHz or higher processor
Memory	256 MB or more available memory
Hard disk space	3 GB or more free disk space

Interface Specifications

Your printer is equipped with a USB interface and an Ethernet interface.

USB interface

The printer's built-in USB interface is based on the standards specified in the Universal Serial Bus Specifications Revision 2.0, the Universal Serial Bus Specification Revision 1.1, and the Universal Serial Bus Device Class Definition for Printing Devices Version 1.1. This interface has the following characteristics.

Standard	Based on Universal Serial Bus Specifications Revision 2.0, Universal Serial Bus Specification Revision 1.1, Universal Serial Bus Device Class Definition for Printing Devices Version 1.1
Bit rate	480 Mbps (High Speed Mode) 12 Mbps (Full Speed Device)
Data encoding	NRZI
Adaptable connector	USB Series B
Recommended cable length	5 meters (5.5 yard)

Note:

Only computer equipped with a USB connector and running Windows XP, Vista, 2000, or Mac OS X.10.x support the USB interface.

Ethernet interface

The printer has a built-in Ethernet interface. Use a 10BaseT and 100BaseTX STP (shielded twisted-pair) cable via the RJ-45 connector to connect to a network.

Options and Consumable Products

Options

The following options are available for use with your printer.

Note:

The availability of options and consumable products varies by location.

Roll paper spindle

To use optional spindles, see “Using Roll Paper” on page 195.

2/3 inch Dual Roll Feed Spindle	C12C811171
2/3 inch Dual Roll Feed Spindle (High Tension)	C12C811191
Roll Paper Belt	C12C890121

Borderless Print Spacer

When printing on roll paper with a width of 8 inches (203.2 mm) or 420 mm (A2), attach the spacer to the spindle. To attach the spacer to the spindle, see “Attaching the spacer to the spindle” on page 197.

Borderless Print Spacer for 420 mm and 8 inch Roll Paper	C12C811201
--	------------

Consumable Products

The following consumable products are available for use with your printer.

Paper cutter

If you notice the edge of the paper is not cut cleanly, you can replace the cutter blade. See “Replacing the Paper Cutter” on page 240.

Auto Cutter Spare Blade C12C815291

Maintenance Tank

This tank absorbs discharged liquid. If it becomes full, you need to replace it. See “Replacing the Maintenance Tank” on page 239.

Maintenance Tank C12C890191

Ink cartridges

To replace ink cartridges, see “Replacing Ink Cartridges” on page 226.

Note:

The product number varies by country.

EPSON Stylus Pro 4450 ink cartridges

Ink cartridge (Matte Black)	110 ml: T6138 220 ml: T6148
Ink cartridge (Cyan)	110 ml: T6132 220 ml: T6142
Ink cartridge (Magenta)	110 ml: T6133 220 ml: T6143
Ink cartridge (Yellow)	110 ml: T6134 220 ml: T6144

EPSON Stylus Pro 4880/4880C ink cartridges

Ink cartridge (Photo Black)	110 ml: T6051 220 ml: T6061, T6071
Ink cartridge (Matte Black)	110 ml: T6138 220 ml: T6148
Ink cartridge (Cyan)	110 ml: T6052 220 ml: T6062, T6072
Ink cartridge (Vivid Magenta)	110 ml: T6053 220 ml: T6063, T6073
Ink cartridge (Yellow)	110 ml: T6054 220 ml: T6064, T6074
Ink Cartridge (Light Black)	110 ml: T6057 220 ml: T6067, T6077
Ink cartridge (Light Cyan)	110 ml: T6055 220 ml: T6065, T6075
Ink cartridge (Vivid Light Magenta)	110 ml: T6056 220 ml: T6066, T6076

Ink cartridge (Light Light Black)

110 ml: T6059

220 ml: T6069, T6079

Epson Special Media

Most plain paper works well in your printer. In addition, Epson offers specially designed media for ink jet printers to meet most high-quality printing needs. For detailed information, see “Paper Information” on page 299.

Note:

- ❑ *The availability of special media varies by country.*
- ❑ *The names of some special media vary by country. Use the product number to confirm the type of special media you need or have.*
- ❑ *For the latest information on media available in your area, contact Epson customer support web site. See “Contacting Customer Support” on page 288.*

Glossary

The following definitions apply specifically to printers.

application

A software program that helps you carry out a particular task, such as word processing or financial planning.

ASCII

American Standard Code for Information Interchange. A standardized coding system for assigning numerical codes to letters and symbols.

banding

The horizontal lines that sometimes appear when printing graphics. This occurs when the print heads are misaligned. See also *MicroWeave*.

bit

A binary digit (0 or 1), which is the smallest unit of information used by a printer or computer.

brightness

The lightness or darkness of an image.

buffer

The portion of the printer's memory used to store data before printing it.

byte

A unit of information consisting of eight bits.

characters per inch (cpi)

A measure of the size of text characters, sometimes referred to as pitch.

CMYK

Cyan (blue-green), magenta, yellow, and black. These colored inks are used to create the subtractive system array of printed color.

color matching

A method of processing color data so that colors displayed on a computer screen closely match colors in printouts. A variety of color-matching software is available. See also *ColorSync* and *sRGB*.

ColorSync

Macintosh software that is designed so you get WYSIWYG (What You See Is What You Get) color output. This software prints colors as you see them on your screen.

cpi

See *characters per inch*.

default

A value or setting that takes effect when the equipment is turned on, reset, or initialized.

DMA

Direct Memory Access. A data transfer feature that by-passes a computer's CPU and allows direct communication between the computer's memory and peripheral devices (such as printers).

dot matrix

A method of printing in which each letter or symbol is formed by a pattern (matrix) of individual dots.

dpi

Dots per inch. The dpi measures the resolution. See also *resolution*.

drive

A memory device, such as CD-ROM, hard disk, or floppy disk. In Windows, a letter is assigned to each drive for easy management.

driver

A software program that sends instructions to a computer peripheral to tell it what to do. For example, your printer driver accepts print data from your word processor application and sends instructions to the printer on how to print this data.

economy printing

Printing in which images are printed with fewer dots to save ink.

error diffusion

Error diffusion blends individual colored dots with the colors of the surrounding dots to create the appearance of natural colors. By blending colored dots, the printer can achieve excellent colors and subtle color gradation. This method is best suited for printing documents that contain detailed graphics or photographic images.

ESC/P

Abbreviation for Epson Standard Code for Printers. This system of commands gives you control of your printer from your computer. It is standard for all Epson printers and supported by most application programs for personal computers.

ESC/P Raster

A command language that gives you control of your printer from your computer. Commands in this language produce laser-like features, such as enhanced graphics printing.

font

A style of type designated by a family name.

grayscale

A scale of shades of gray from black to white. Grayscale is used to represent colors when printing with black ink only.

halftones

Patterns of black or colored dots used to reproduce an image.

halftoning

Method of using dot patterns to represent an image. Halftoning makes it possible to produce varying shades of gray using only black dots, or a nearly infinite array of colors using only a few colors of dots. See also *halftones*.

head alignment

The operation to correct any misalignment of the print heads. Vertical banding will be corrected.

head cleaning

The operation to clean any clogged nozzles for correct printing.

high speed printing

Printing in which images are printed in both directions. This provides faster printing.

initialization

Returns the printer to its defaults (fixed set of conditions). This happens every time you turn on the printer or reset the printer.

ink cartridge

The cartridge which contains ink.

ink jet

A method of printing in which each letter or symbol is formed by precisely spraying ink onto paper.

interface

The connection between the computer and the printer. A serial interface transmits data one bit at a time.

interface cable

The cable that connects between the computer and the printer.

LCD

Liquid Crystal Display. Shows various messages according to status of the printer.

local printer

The printer which is connected to the computer's port directly by interface cable.

media

Materials upon which data is printed, such as roll paper and cut sheets, plain paper, and special paper.

memory

The part of the printer's electronic system that is used to store information (data). Some information is fixed and is used to control how the printer operates. Information that is sent to the printer from the computer is stored in the memory temporarily. See also *RAM* and *ROM*.

MicroWeave

Printing in which images are printed in finer increments to reduce the possibility of banding and to produce laser-like images. See also *banding*.

monochrome

This means printing with only one color of ink, which is generally black ink.

nozzle

Fine tubes in the print head through which ink is sprayed on the page. Print quality may decline if print head nozzles are clogged.

nozzle check

A method for checking the operation of the printer. When you perform a nozzle check, the printer prints the firmware (ROM) version and a nozzle check pattern.

online help

Helpful comments related to the current window or dialog box.

Peer-to-peer networks

Windows 98 support peer-to-peer networking. Any computer can access the resources of a computer on the network.

PhotoEnhance

The Epson software to change the shade of tone, to correct image data and to change the sharpness of the image data.

port

An interface channel through which data is transmitted between devices.

printable area

The area of a page on which the printer can print. It is smaller than the physical size of the page due to margins.

printer driver

A software program that sends commands for using the features of a particular printer. Often shortened to “driver”. See also *driver*.

printing mode

The number of dots per inch used to represent an image.

EPSON Stylus Pro 4450 has three printing mode settings: SuperFine (1440 dpi), Fine (720 dpi), and Normal (360 dpi).

EPSON Stylus Pro 4880 has four printing mode settings: SuperPhoto (2880 dpi), SuperFine (1440 dpi), Fine (720 dpi), and Normal (360 dpi).

print queue

If your printer is connected to a network, print jobs that are sent to the printer while it is busy are stored in a waiting line, or print queue, until they can be printed.

Progress Meter

A meter that shows the progress of the current print job for Windows.

RAM

Random Access Memory. The portion of the printer's memory used as a buffer and for storing user-defined characters. All data stored in RAM is lost when the printer is turned off.

reset

To return a printer to its defaults by turning the printer off and then back on.

resolution

The number of dots per inch used to represent an image.

ROM

Read Only Memory. A portion of memory that can only be read and cannot be used for data storage. ROM retains its contents when you turn off the printer.

RGB

Red, green, and blue. These colors, in phosphors irradiated by the computer monitor's electron gun, are used to create the additive array of screen colors.

Menu settings

Settings made using the printer's control panel. In Menu mode, various printer settings that are not available using the printer driver, such as test print settings, can be made.

serial interface

See *interface*.

spool

The first step in printing, in which the printer driver converts the print data into codes that your printer understands. This data is then sent to the printer directly or to the print server.

Spool Manager

The software program that converts print data into codes that your printer understands. See also *spool*.

sRGB

Windows software that is designed so you get WYSIWYG (What You See Is What You Get) color output. This software prints colors as you see them on your screen.

Status Monitor

The software program that allows you to check the printer's status.

subtractive colors

Colors produced by pigments that absorb some colors of light and reflect others. See also *CMYK*.

utility

A program for carrying out a specific function, which is usually related to system maintenance.

WYSIWYG

Acronym for What You See Is What You Get. This term is used to describe printout that looks exactly as it appeared on screen.

Index

A

Adjust paper margin, 86

B

Banner printing, 127
Black-and-white photo printing, 82
Black ink cartridges, 231
Borderless printing, 86
Buttons, 145

C

Canceling printing (Mac OS X), 50
Canceling printing (Windows), 27
Cleaning
 printer, 245
ColorSync, 69
Consumable products, 328
Custom, 100
Customer support, 288
Cut sheet media
 media type, 330
 using, 209, 214

D

Driver ICM, 66
Dual roll feed spindle, 195

E

Enlarge size printing, 99
EPSON Printer Utility2, 42
EPSON special media, 193, 330
EPSON StatusMonitor (Mac OS X), 55
EPSON Status Monitor 3 (Windows),
 33
Error indication, 254
Error message, 30

F

Fit to Page, 99

H

Head Alignment, 175
Help (Mac OS X), 47
Help (Windows), 23
Host ICM, 69

I

Ink cartridges, 226, 231, 328

L

Loading roll paper, 199

M

Maintenance Mode, 188
Maintenance tank, 239

N

Notes for media, 193
Nozzle check pattern, 173

O

Options, 327

P

Page line, 205
Pages per sheet printing, 108
Paper cutter, 240
Paper Thickness, 183
PhotoEnhance (Windows), 80
Poster printing with margins, 111

Printer utilities (Mac OS X), 53
Printer utilities (Windows), 31
Printing on the custom paper, 121

R

Reduce size printing, 99
Replacing
 Ink cartridges, 226
 Maintenance tank, 239
Roll paper
 loading, 199
 media type, 330

S

SelecType
 menus, 151
 setting procedure, 157
 usage, 150
SelecType menus
 head alignment, 171
 paper configuration, 168
 printer setting, 159
Specifications
 electrical, 318
 interface, 326
 Standards and Approvals, 319
Spindle
 attaching the roll paper, 195
 removing the roll paper, 198
Status Message, 149
Status Sheet, 186
Supported media type for borderless
 printing, 88

T

Technical support, 288, 313
Transport the printer, 250
Troubleshooting, 254

U

Uninstall (Mac OS X), 57
Uninstall (Windows), 38