

NOTICE SHEET

About installing the printer software

In the Installing the Printer Software section of the *Setup Guide*, the step "Select Local or Network." is not necessary. Skip step 5 (For Windows) or step 6 (For Mac OS 9.x and Mac OS X).

About paper margin

In the Control Panel and Product Information section of the *Reference Guide*, the supported paper margins are incorrect. The correct paper margins should be DEFAULT, T/B 15 mm, T/B 25 mm, 15 mm, and 3 mm.

Margin settings	Top	Bottom	Left/Right
DEFAULT	See the list below.		3 mm
T/B 15 mm	15 mm	15 mm	3 mm
T/B 25 mm	25 mm	25 mm	3 mm
15 mm	15 mm	15 mm	15 mm
3 mm	3 mm	3 mm	3 mm

The following table shows the default paper margin for the paper.

Roll Paper	Top/Bottom	Left/Right
Plain Paper Singleweight Matte Paper Enhanced Matte Paper Premium Semimatte Photo Paper (250) Premium Luster Photo Paper (250) Photo Paper Gloss 250 Photo Glossy Paper Photo Semigloss Paper Textured Fine Art Paper UltraSmooth Fine Art Paper Proofing Paper Semimatte	15 mm	3 mm
Premium Glossy Photo Paper (250) Premium Semigloss Photo Paper (250)	20 mm	3 mm

Note:

- When you set the margin once, the margin applies to all media. To change the paper margin, select the target margin setting again.
- Try T/B 25 mm when smear may result in the top and bottom areas.

When you select the paper margin setting except DEFAULT, the following number appears on the right side of the paper mark on the printer's control panel.

Margin settings	Number
T/B 15 mm	1
T/B 25 mm	2
15 mm	1
3 mm	0



About Platen Gap

In the Control Panel section of the *Reference Guide*, the description about Platen Gap on the Custom Paper menu is incorrect. WIDEST is not supported, so read it as below.

You can adjust the distance between the print head and paper. Normally, leave this set to STANDARD. If you find that printed images are smeared, select WIDE. Select NARROW for printing on thin paper, or WIDER for printing on thick paper.

Note:

- There is also Platen Gap on the Printer Setup menu, but this one supports WIDEST. Only Platen Gap on the Custom Paper menu does not support WIDEST.
- The setting will return to STANDARD after you turn the printer on and off.

Cleaning the Printer

In the Maintenance and Transportation section of the *Reference Guide*, we have added some more information for Cleaning the Printer, so read it as below.

To keep your printer operation in its top condition, clean it thoroughly if it becomes soiled.



Warning:

Be careful not to touch the gears inside the printer.



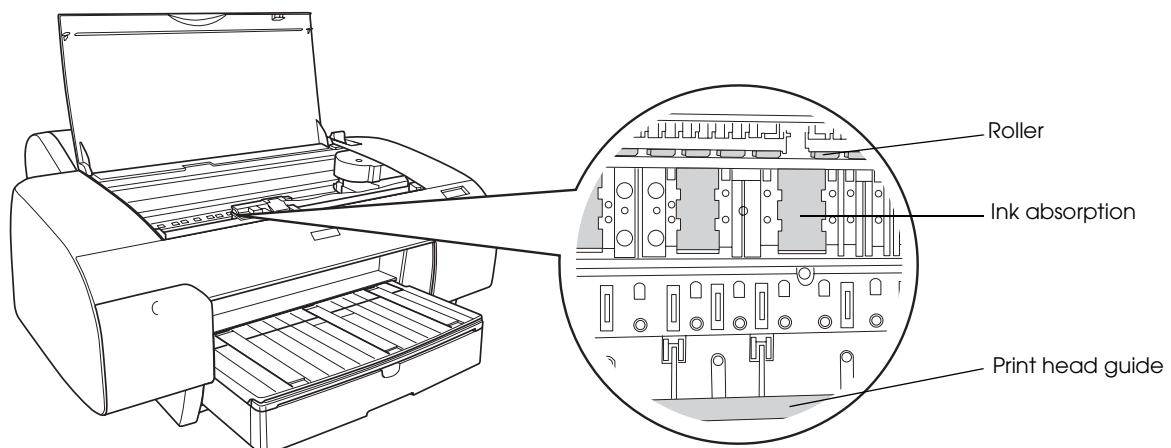
Caution:

- Never use alcohol or thinners to clean the printer; these chemicals can damage the components as well as the case.
 - Be careful not to get water on the printer mechanism or electronic components.
 - Do not use a hard or abrasive brush.
 - Do not spray the inside of the printer with lubricants; unsuitable oils can damage the mechanism. Contact your dealer or a qualified service person if lubrication is needed.
1. Make sure the printer is turned off and all the lights are off, and then unplug the power cord. Leave the printer for a minute.



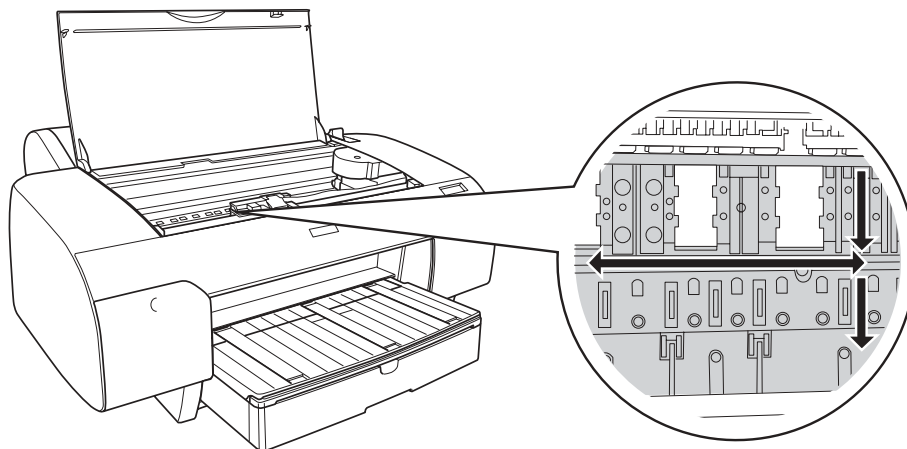
Caution:

Do not touch the following parts; otherwise, printouts may be soiled.

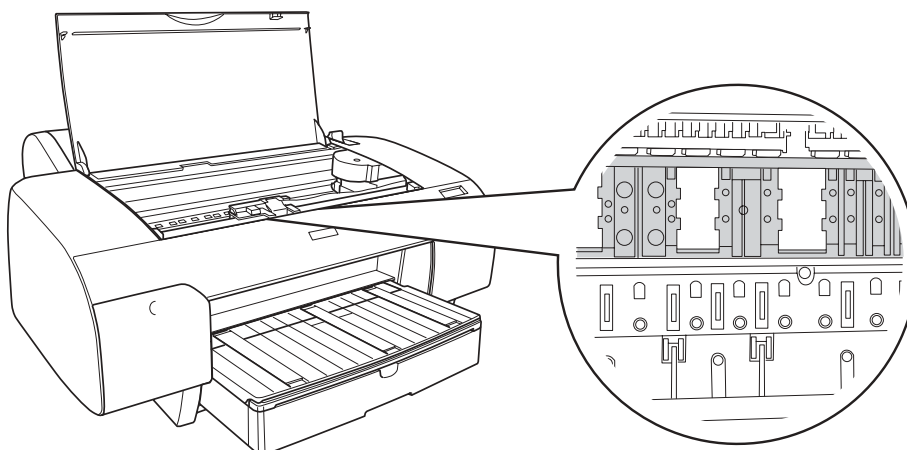


2. Open the top cover and then use a soft, clean cloth to carefully remove any dust or dirt inside the printer. Wipe the gray part by following the directions of the arrows.

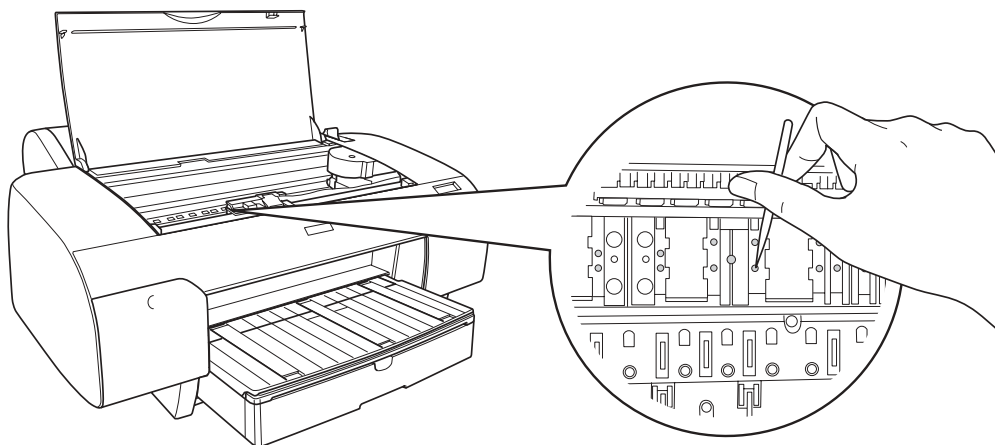
If there is a serious problem of dirt on the inside of the printer, clean it using a soft, clean cloth dampened with mild detergent. Then, wipe the inside of the printer dry with a dry, soft cloth.



3. If the back of a printout is soiled, carefully clean the platen (the gray part) using a soft, clean cloth.



4. If some powdery paper dust is stuffed in the platen, use something like a toothpick to remove it. Close the top cover.



5. If the outer case is dirty, clean it using a soft, clean cloth dampened with mild detergent. Keep the ink compartment covers closed to prevent water from getting inside.

About the Black Ink Conversion Kit

The Black Ink Conversion Kit is packed with the printer. Epson does not sell it as a consumable anymore.

Note:

Contact your dealer if the Black Ink Conversion Kit is needed.