

EPSON®

EPSON STYLUS™ PRO 4000

Setup Guide

Safety Instructions	1
Assembling the printer	2
Setting up the printer	3
Connecting the Printer with Your Computer	9
Installing the Printer Software and EPSON Printer Service Utility 2	11
Using the User Guides	12

All rights reserved. No part of this publication may be reproduced, stored in a retrieval system, or transmitted in any form or by any means, electronic, mechanical, photocopying, recording, or otherwise, without the prior written permission of Seiko Epson Corporation. The information contained herein is designed only for use with this Epson printer. Epson is not responsible for any use of this information as applied to other printers.

Neither Seiko Epson Corporation nor its affiliates shall be liable to the purchaser of this product or third parties for damages, losses, costs, or expenses incurred by the purchaser or third parties as a result of: accident, misuse, or abuse of this product or unauthorized modifications, repairs, or alterations to this product, or (excluding the U.S.) failure to strictly comply with Seiko Epson Corporation's operating and maintenance instructions.

Seiko Epson Corporation shall not be liable for any damages or problems arising from the use of any options or any consumable products other than those designated as Original Epson Products or EPSON Approved Products by Seiko Epson Corporation.

Seiko Epson Corporation shall not be held liable for any damage resulting from electromagnetic interference that occurs from the use of any interface cables other than those designated as EPSON Approved Products by Seiko Epson Corporation.

EPSON is a registered trademark and EPSON STYLUS are trademarks of Seiko Epson Corporation.

Microsoft and Windows are registered trademarks of Microsoft Corporation.

Apple and Macintosh are registered trademarks of Apple Computer, Inc.

General Notice: Other product names used herein are for identification purposes only and may be trademarks of their respective owners. EPSON disclaims any and all rights in those marks.

Copyright © 2003 by Seiko Epson Corporation, Nagano, Japan.

Safety Instructions

Read all of these instructions before using your printer. Also be sure to follow all warnings and instructions marked on the printer.

Warning, Cautions, and Notes



Warnings must be followed carefully to avoid bodily injury.

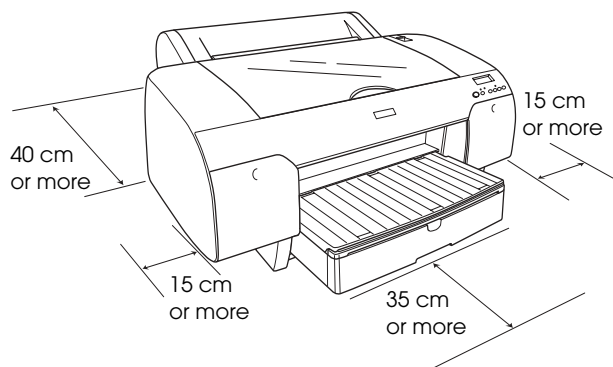


Cautions must be observed to avoid damage to your equipment.

Notes contain important information and useful tips on the operation of your printer.

When choosing a place for this product

- ❑ Place this product on a flat, stable surface that is larger than this product. This product will not operate properly if it is tilted or at an angle.



- ❑ Avoid places subject to rapid changes in temperature and humidity. Also keep it away from direct sunlight, strong light, or heat sources.
- ❑ Avoid places subject to shocks and vibrations.
- ❑ Keep this product away from dusty areas.
- ❑ Place this product near a wall outlet where the plug can be easily unplugged.
- ❑ If you use a stand, the stand has to support at least 50 kg (110.3 lb).

When setting up this product

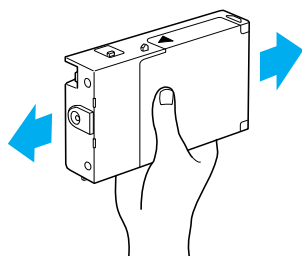
- ❑ Use only the type of power source indicated on this product's label.
- ❑ Use only the power cord that comes with this product. Use of another cord may result in fire or electric shock.
- ❑ This product's power cord is for use with this product only. Use with other equipment may result in fire or electric shock.
- ❑ Do not use a damaged or frayed power cord.
- ❑ If you use an extension cord with this product, make sure the total ampere rating of the devices plugged into the extension cord does not exceed the cord's ampere rating. Also, make sure the total ampere rating of all devices plugged into the wall outlet does not exceed the wall outlet's ampere rating.
- ❑ Do not block or cover the openings in this product's cabinet.

When using this product

- ❑ Do not put your hand inside this product or touch the ink cartridges during printing.
- ❑ Do not move the print head by hand; otherwise you may damage this product.
- ❑ Do not insert objects through the slots. Take care not to spill liquid on this product.
- ❑ Do not attempt to service this product yourself.
- ❑ Unplug this product and refer servicing to qualified service personnel under the following conditions:
The power cord or plug is damaged; liquid has entered this product; this product has been dropped or the cabinet damaged; this product does not operate normally or exhibits a distinct change in performance.

When handling the ink cartridges

- ❑ Keep ink cartridges out of the reach of children and do not drink.
- ❑ Store ink cartridges in a cool, dark place.
- ❑ If ink gets on your skin, wash it off with soap and water. If it gets in your eyes, flush them immediately with water.
- ❑ Shake the ink cartridge gently before installing it for best results.



Caution:

Do not shake cartridges that have been installed previously.

- ❑ Do not use an ink cartridge beyond the date printed on the cartridge carton.
- ❑ Use up the ink cartridge within six months of installation for best results.
- ❑ Do not dismantle the ink cartridges or try to refill them. This could damage the print head.
- ❑ Do not touch the ink supply port or surrounding area and the green IC chip on the side of the ink cartridge. This may affect normal operation and printing.

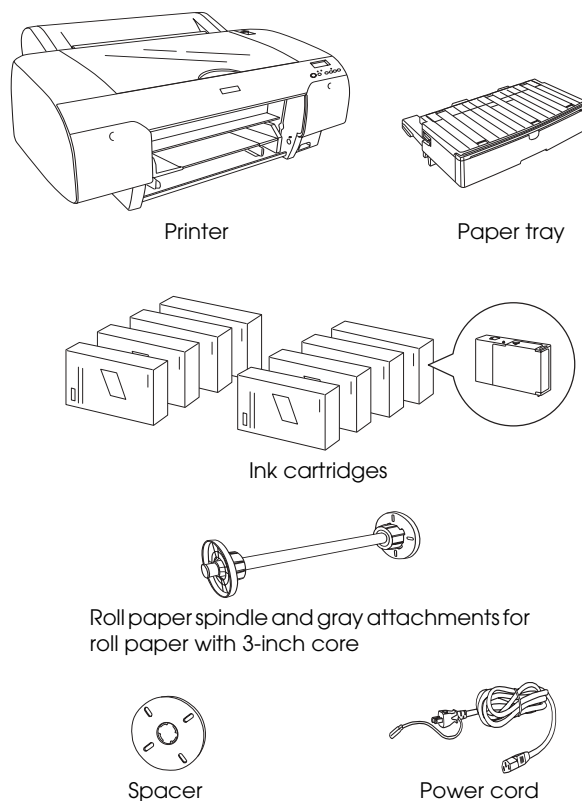
Assembling the printer

Checking the contents

Make sure that all of the items shown are included, and are not damaged.

Note:

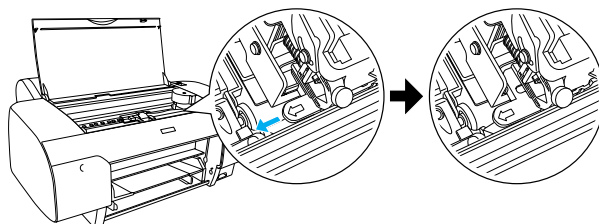
The contents in the printer box vary by location.



Removing the protective materials

To prevent damage during shipping, several pieces of protective material are packed with your printer. Remove those from your printer.

You also need to unlock the print head, by pulling the green tab on the left side of the print head.



Setting up the printer

Connecting the power cord

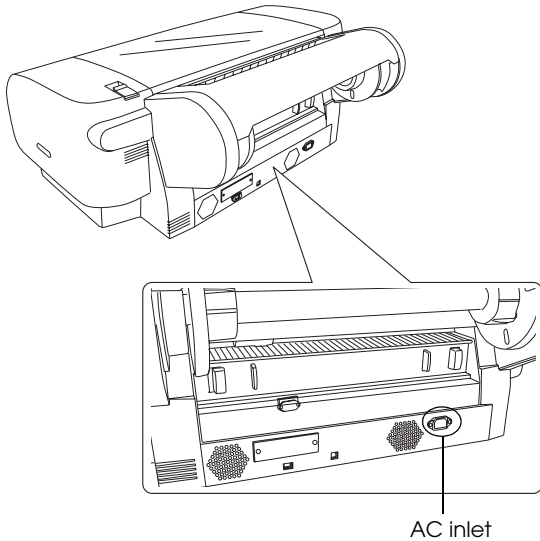
1. Check the label on the back of the printer to make sure the voltage required by the printer matches that of the power outlet you will be pulling it into. Also, make sure that you have the correct power cable for your power source.



Caution:

It is not possible to change the printer's voltage. If the rated voltage and your outlet voltage do not match, do not plug in the power cord, and contact your dealer for assistance.

2. Connect the power cord to the AC inlet on the back of the printer.



3. Plug the power cord into a properly grounded electrical outlet.

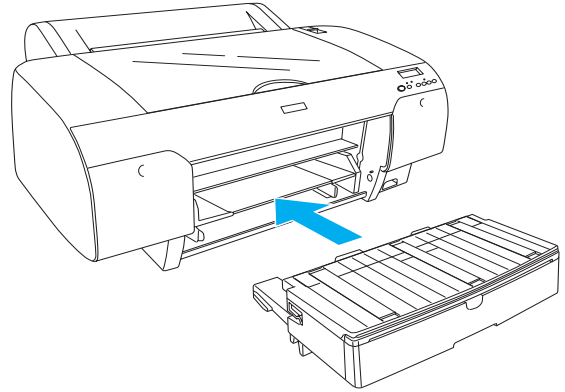


Caution:

Do not use an outlet that is controlled by an automatic timer or wall switch. Otherwise, accidental shut down or damage to your printer may occur.

Installing the paper tray

Insert the paper tray into the slots at the front of the printer.



Installing the Ink Cartridges



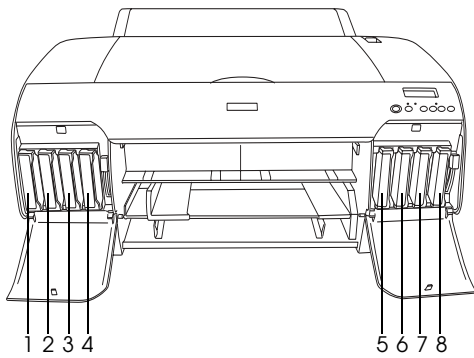
Warning:

The ink cartridges are self-contained units. Under ordinary use, ink will not leak from the cartridges. If ink does get on your hands, wash them thoroughly with soap and water. If ink gets into your eyes, flush them immediately with water.

Note:

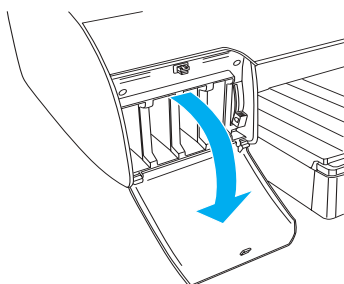
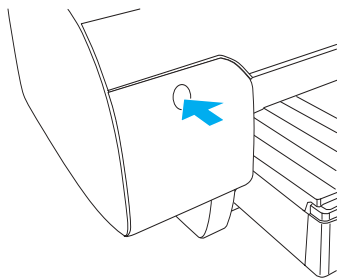
- ❑ The ink cartridges packed with your printer are only for the initial ink charging.
- ❑ Because the initial ink charging consumes a large quantity of ink, you may need to replace the ink cartridges soon.
- ❑ The initial ink charging requires approximately 8 minutes.
- ❑ The UltraChrome ink cartridges for Stylus Pro 7600/9600 can also be used with this printer.

- Each slot can hold a particular color of ink. Be sure to install the ink cartridges in the correct slot according to the ink mode you choose.

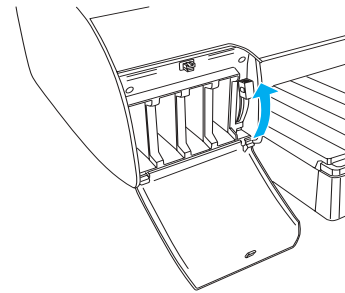


No.	Photo Quality Ink Set	High Speed Ink Set
#1	Matte Black	Matte Black
#2	Cyan	Cyan
#3	Magenta	Magenta
#4	Yellow	Yellow
#5	Photo Black	Matte Black
#6	Light Cyan	Cyan
#7	Light Magenta	Magenta
#8	Light Black	Yellow

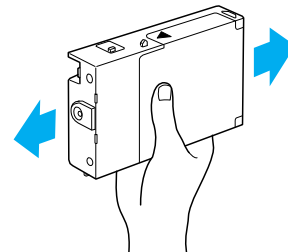
- Turn on the printer by pressing the Power button. After a short time NO INK CRTG is displayed on the LCD.
- Open the ink compartment cover by pushing it.



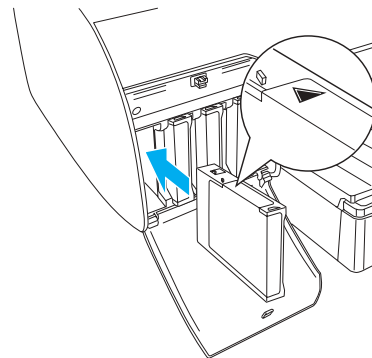
- Raise the ink levers.



- Remove the package from an ink cartridge, and shake the ink cartridge gently.

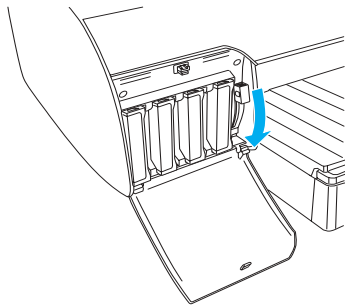


- Holding the ink cartridge with arrow mark face-up and pointing to the rear of the printer, and insert it into the slot.



- Repeat steps 4 to 5 for the other seven ink cartridges.

- After inserting all ink cartridge into each slot, lower the ink lever. The printer starts initial ink charging.



- After approximately 2 minutes, ink lever messages appear on the LCD. When a message appears on the LCD, raise or lower the ink levers accordingly until **READY** appears on the LCD.



Caution:

Never do the following while the Pause light is flashing; otherwise, damage may occur.

- Turn off the printer.
- Open the top cover.
- Remove the rear cover.
- Move the paper lever to the released position.
- Remove the ink cartridges.
- Remove the maintenance tank.
- Unplug the power cord.

- When **READY** appears on the LCD, the initial ink charging is completed. Close the ink compartment covers.

Note:

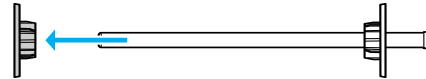
If you have installed 220 ml ink cartridges, do not close the ink compartment covers.

Loading the Roll Paper

Attaching the roll paper to the spindle

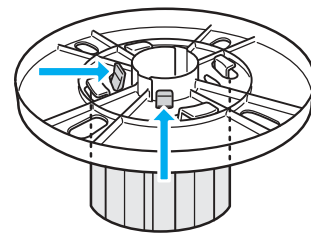
When installing the roll paper onto the spindle, follow these steps.

- Slide the movable flange off the end of the spindle.



- When attaching roll paper with a 3-inch core, keep the gray attachments attached.

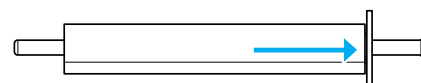
If you are attaching roll paper with a 2-inch core, remove them from the spindle.



Note:

Keep them in a safe place for future use.

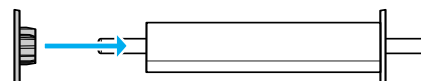
- Place the roll paper on a flat surface so that it does not unwind. Slide the roll paper onto the spindle and onto the flange until it fixes into place.



Note:

Do not stand the spindle when attaching the roll paper. It may cause a slant paper feeding.

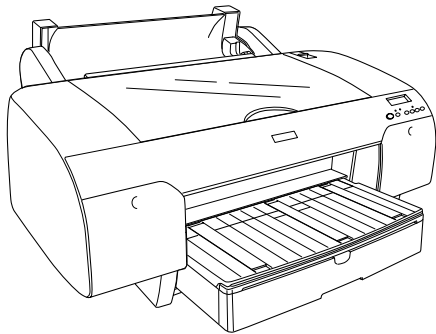
- Slide the movable flange (removed in step 1) onto the spindle and into the end of the roll paper until it fixes into place.



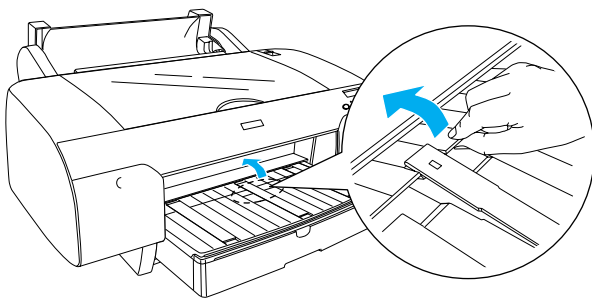
Attaching the spindle to the printer

To attach the paper loaded spindle to the printer, follow these steps.

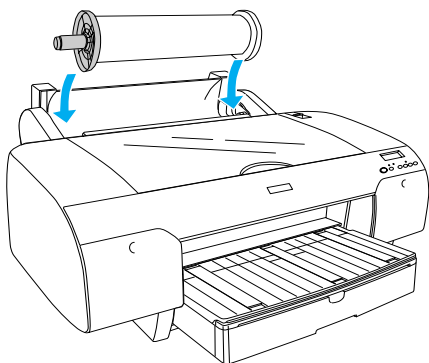
1. Open the roll paper cover.



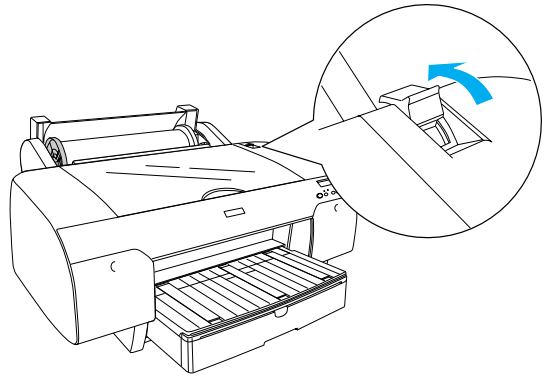
2. Raise the roll paper support.



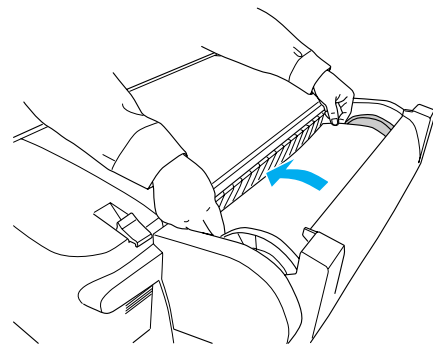
3. Make sure that the movable flange is fixed into the end of the roll paper properly.
4. Hold the roll paper spindle so that the black movable flange is on the left side. Then place the spindle on the groove on top of the printer once.



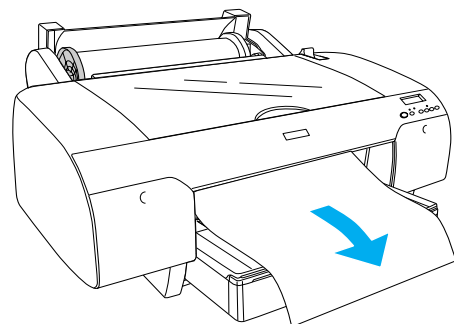
5. Move the paper lever to the released position.



6. Hold the both sides of the paper, and load the paper into the paper insertion slot.



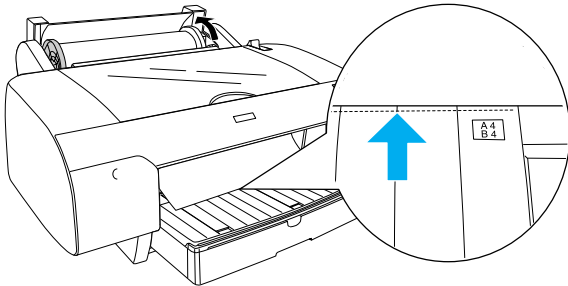
7. Pull the paper until it hangs down over the paper tray.



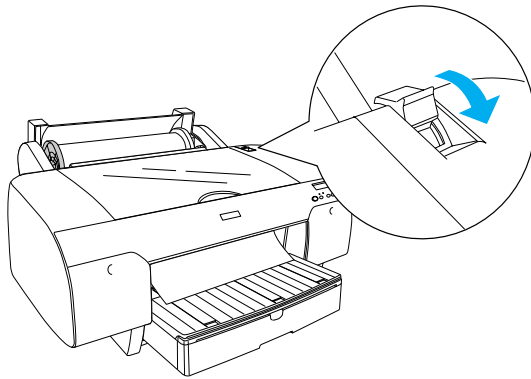
Note:

If you load thin paper, press the Paper Feed \blacktriangledown button to decrease the value of paper suction. If you load thick and curled paper, press the Paper Feed \blacktriangle button to increase the value of paper suction.

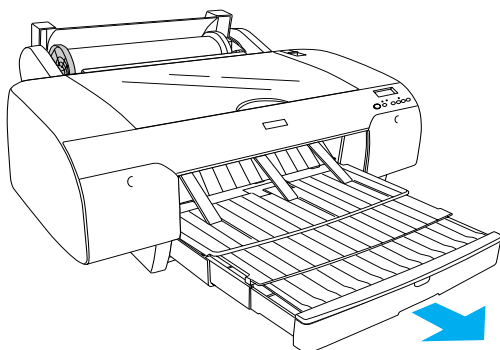
8. Hold the both fixed and movable flanges, and rewind the paper to the line marked with A4/B4.



9. Move the paper lever to the secured position. The printer automatically feeds the paper to the printing position.



10. Extend the paper tray and paper tray cover according to the paper size.



11. Close the roll paper cover.
12. Press the Paper Source < button to select Roll Auto Cut On ㊦ on the LCD.

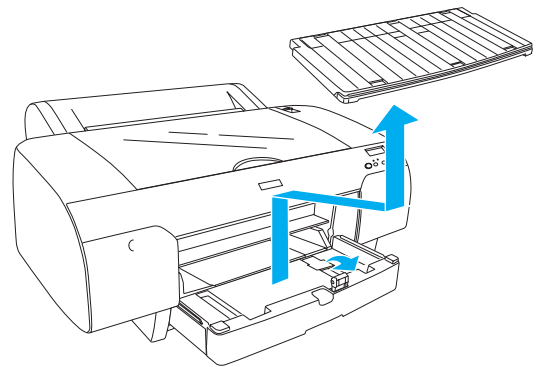
Loading the Cut Sheet

To install the cut sheet media to the paper tray, follow these steps.

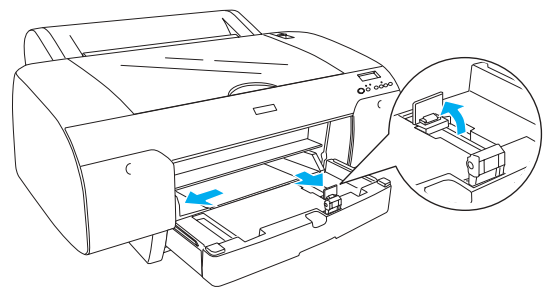
Note:

The method for loading the cut sheets described in this section is for paper smaller than A3 size. If you want to load A3 or larger paper, or if you want to know the details of paper handling, see the "Paper Handling" section in the Reference Guide included on the Printer Software for EPSON STYLUS PRO 4000 CD-ROM shipped with your printer.

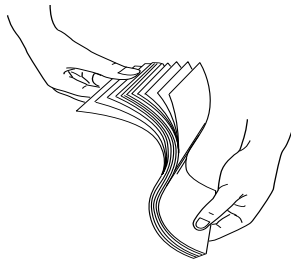
1. Make sure that the printer is on and in the READY status.
2. Lift up the paper tray cover, and pull the paper guide roller up.



3. Raise the paper guide, and slide the edge guide to the left as far as it will go.

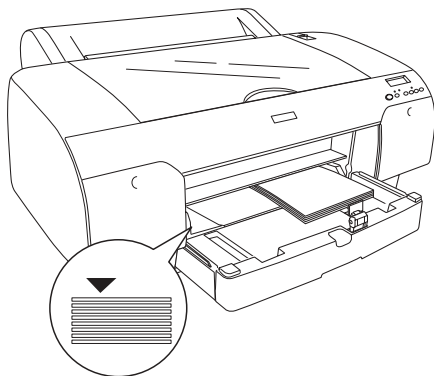


- Thumb through a stack of paper, then tap it on a flat surface to even the edges.



If your paper is curled, flatten it before you load it. If it curls excessively and jams frequently, stop using it.

- Clean the inside of the tray to remove any dust. Dust may decrease printout quality.
- Load the sheets with the printable face down and the right edge of the paper resting against the right side of the paper tray.



Note:

- ❑ Always set the paper in portrait.
- ❑ Make sure the sheets lie flat on the bottom of the tray, and put the edge of the paper against the right inner corner of the paper tray. Otherwise, the printing may become misaligned.

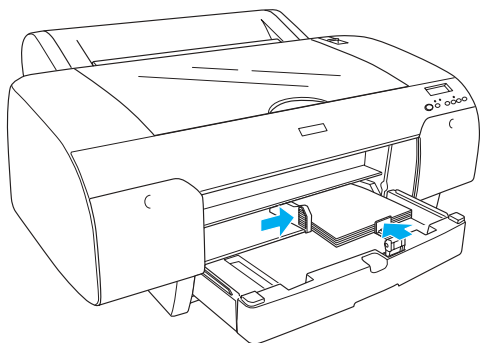
- ❑ The loadable capacity of paper in the paper tray differs according to the media and its size.

The paper tray can hold up to 250-sheets of 17 lb. or 64 g/m² plain paper. Do not load paper above the arrow mark on the inside surface of the right edge guide.

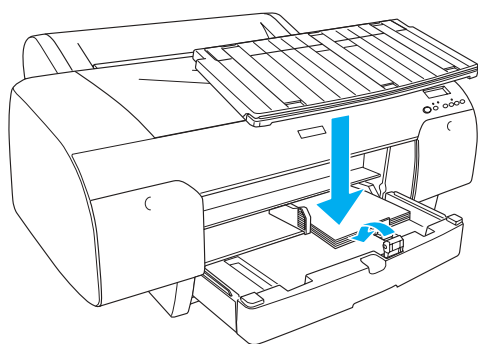
For information on the loadable capacity of Epson special media, see the following table.

Epson special media	Size	Loadable capacity in the paper tray
EPSON Premium Semigloss Photo Paper	A4	100
	A3	50
	Super A3	50
	Super B	50
EPSON Luster Photo Paper	LTR	100
	A3	50
	Super B	50
EPSON New Photo Quality Ink Jet Paper	A4	200
	A3	100
	Super A3/B	100
	A2	50
	LTR	200
EPSON Proofing Paper Semimatte	Super A3	50
EPSON Archival Matte Paper	A4	100
	LTR	100
	A3	50
	Super A3	50
EPSON Watercolor Paper-Radiant White	Super A3	20
	Super B	20
EPSON Bright White Inkjet Paper	A4	100

- Adjust the paper guide and edge guide according to the paper size.



- Put the paper guide roller down, and attach the paper tray cover back.



Note:

Make sure that roll paper support is not raised.

- Press the Paper Source < button to select Sheet on the LCD.

Connecting the Printer with Your Computer

The available interface varies according to Microsoft® Windows® OS or Apple® Macintosh® system version as follows:

USB interface:

Windows XP, Me, 98, and 2000
Mac OS 8.6 to 9.x
Mac OS X

IEEE1394 interface:

Windows XP, Me and 2000
Mac OS 8.6 to 9.x
Mac OS X

Ethernet interface (Option):

Windows XP, Me, 98, 2000, NT4.0

Mac OS 8.6 to 9.x

Mac OS X

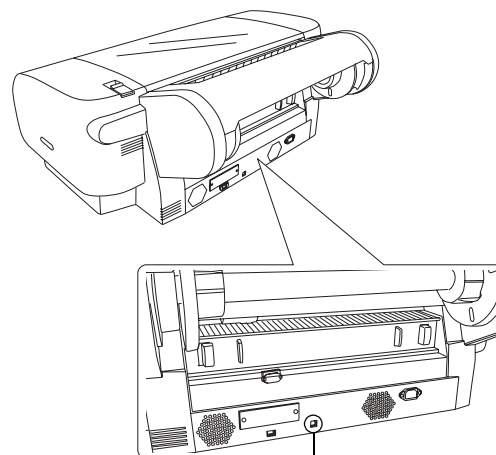
Using the built-in USB interface

To connect the printer to a USB port, you need a standard shielded USB cable. To connect the printer to your computer using the built-in USB interface, follow these steps.

Note:

When using an inappropriate cable or connecting peripheral devices between the printer and the computer, the connection may be unstable.

- Make sure that both the printer and the computer are off.
- Plug the USB interface cable to the printer.



USB interface connector

Note:

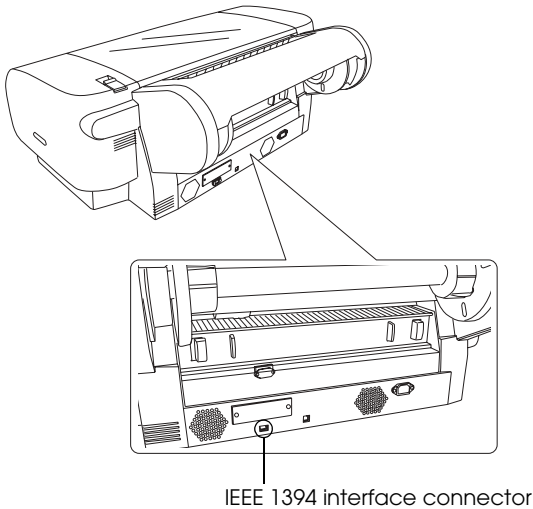
When the cable has a grounding wire, secure the wire with the screw below the connector.

- Plug the other end of the cable into the computer's USB interface connector.

Using the built-in IEEE1394 interface

To connect your printer and computer using the installed IEEE 1394 interface card, follow these steps.

1. Make sure both the printer and the computer are turned off.
2. Plug the compatible interface cable to the printer.



3. Plug the other end of the cable into the computer's IEEE1394 interface connector.

After connecting your printer and computer with the IEEE 1394 interface, see "Installing the Printer Software and EPSON Printer Service Utility 2" on page 11.

Using the optional interface card

The following optional Ethernet interface card lets you use your printer on a network. The Ethernet interface card automatically detects the protocols on your network, so you can print from Windows XP, Me, 98, 2000, and NT4.0, or Mac OS 8.6 to 9.x and Mac OS X on an AppleTalk network.

EpsonNet 10/100 Base Tx High Speed Int. Print Server C12C82405*

Note:

The asterisk (*) is a substitute for the last digit of the product code, which varies by location.

Installing the optional interface card

To install an optional interface card, follow these steps.

Note:

Before you install the optional interface card, see the documentation that comes with the card for setup information.

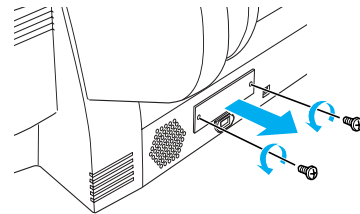
1. Make sure both the printer and computer are turned off.
2. Make sure that the power cord is unplugged from the power outlet.



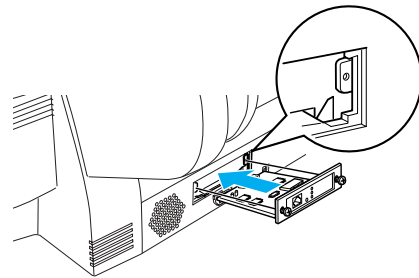
Caution:

Do not install the interface card when the printer is connected to a power outlet. Doing so may damage the printer.

3. Disconnect the interface cable, if necessary.
4. Use a cross-head screw driver to remove the two screws securing the shield plate to the optional interface slot, and lift off the plate. Be sure to keep the screws to use when you re-install the shield plate.



5. Slide the interface card along the slots on both sides of the interface compartment. Push it firmly to fully insert the connector at the rear of the interface card into the printer's internal socket.



Note:

According to the interface card you use, it may stick out from the slot.

Installing the Printer Software and EPSON Printer Service Utility 2

After connecting the printer to your computer, you need to install the software included on the Printer Software for EPSON STYLUS PRO 4000 CD-ROM shipped with your printer.

You can also install EPSON Printer Service Utility 2 as well when installing the printer software.

EPSON Printer Service Utility 2 gives the user a broad range of control over the printer, to perform the best quality printing on various media. It also provides printer information easily, and updates printer firmware.

Note:

EPSON Printer Service Utility 2 is not available for Mac OS X.

For Windows

To install your printer software, follow these steps.

1. Make sure that your printer is off.
2. Insert the Printer Software for EPSON STYLUS PRO 4000 CD-ROM shipped with your printer into the CD-ROM drive. The Installer dialog box appears.
3. Choose your printer from the window, then click the right arrow.
4. Double-click Install Software.
5. If you want to install EPSON Printer Service Utility 2, click Advanced, and select the EPSON Printer Service Utility 2 check box.

If you do not want to install it, deselect it.

6. Click Install in the dialog box that appears to start the printer software installation.
7. Follow the on-screen instruction.

Note:

If a message regarding Windows logo test is displayed during on-screen installation, click Continue to continue the installation.

For Mac OS 8.6 to 9.x

To install your printer software, follow these steps.



Caution:

Turn off all virus protection programs before you install your printer software.

1. Make sure that the printer is off.
2. Insert the Printer Software for EPSON STYLUS PRO 4000 CD-ROM shipped with your printer into the CD-ROM drive. The Epson printer software disk opens automatically.
3. Double-click EPSON icon.
4. Choose your printer from the window, and double-click the icon of your printer.
5. If you want to install EPSON Printer Service Utility 2, click Advanced, and select EPSON Printer Service Utility 2 check box.

If you do not want to install it, deselect it.

6. Double-click Install Software.
7. Click Install in the dialog box that appears to start the printer software installation.
8. Follow the on-screen instructions.
9. Turn on the printer.

Using the Chooser to select your printer

After you have installed the printer software on your computer, you need to open the Chooser and select your printer. You must select a printer the first time you use it or whenever you want to switch to another printer. Your computer will always print using the last printer selected.

1. Select Chooser from the Apple menu. Then click your printer's icon and the port your printer is connected to.
2. For USB interface users, click your printer's icon and the port your printer is connected to. For IEEE 1394 interface users, click your printer's icon and the FireWire port your printer is connected to.

3. Select the appropriate Background Printing radio button to turn background printing on or off.

With background printing on, you can use your Macintosh while it is preparing a document for printing. In order to use the EPSON Monitor IV utility to manage print jobs, background printing must be turned on.

4. Close the Chooser.

Note for High Speed Ink Set users:

Repeat steps 1 to 4 to make the printer driver confirm the correct ink set.

For Mac OS X

To install your printer software, follow these steps.



Caution:

Turn off all virus protection programs before you install printer software.

1. Make sure that the printer is off.
2. Insert the Printer Software for EPSON STYLUS PRO 4000 CD-ROM shipped with your printer into the CD-ROM drive. The Epson printer software disk opens automatically.
3. Double-click the Mac OS X folder, and double-click the Spro4000_16a.pkg icon inside it.

Note:

If the Authorization window opens, click the key icon, enter the administrator's name and password, click OK, and click Continue.

4. Follow the on-screen instructions to install the printer software.
5. Turn on the printer.

Selecting your printer

After you have installed the printer software on your computer, you need to select your printer. You must select a printer the first time you use it or whenever you want to switch to another printer. Your computer will always print using the last printer selected.

1. Double-click Macintosh HD (by default setting).
2. Double-click the Applications folder.
3. Double-click the Utilities folder.
4. Double-click the Print Center icon.
5. Click Add Printer.
6. Select the interface that connects the printer and computer.
7. Select Spro4000: (paper type)-(margin type).
8. Click Add.

Using the User Guides

What to Do Next

After completing the hardware setup and the driver installation, see the *Reference Guide* for detailed information about your printer's functions, maintenance, troubleshooting, technical specifications and optional products.

Using the User Guides

It contains detailed instructions on how to use the printer, and information on using optional products. You can view this guide directly from the Printer Software for EPSON STYLUS PRO 4000 CD-ROM, or install into your computer and view it from your hard disk.

Note:

Microsoft Internet Explorer 4.0 or later, or Netscape Navigator 4.0 or later, must be installed in your computer to read the online guide.

For Windows

To view or install the Reference Guide, follow these steps.

1. Insert the Printer Software for EPSON STYLUS PRO 4000 CD-ROM shipped with your printer into the CD-ROM drive. The Installer dialog box appears.
2. Choose your printer from the window, then click the right arrow.
3. Click User Guides, then the right arrow.
4. Click View Reference Guide to open the Reference Guide. If you want to install the Reference Guide to your computer, click Install Reference Guide.

For Mac OS 8.6 to 9.x

To view or install the Reference Guide, follow these steps.

1. Insert the Printer Software for EPSON STYLUS PRO 4000 CD-ROM shipped with your printer into the CD-ROM drive. The Installer dialog box appears.
2. Choose your printer from the window, then click the right arrow.
3. Click User Guides, then the right arrow.
4. Click View Reference Guide to open the Reference Guide. If you want to install the Reference Guide to your computer, click Install Reference Guide.

For Mac OS X

To view the Reference Guide, follow these steps.

1. Insert the Printer Software for EPSON STYLUS PRO 4000 CD-ROM shipped with your printer into the CD-ROM drive. The Installer dialog box appears.
2. Double-click the English folder to open it.
3. Double-click the icon for your printer.
4. Double-click the User Guides folder to open it.
5. Double-click the Ref_G folder to open it.

6. Double-click INDEX.HTM. The Reference Guide will open.

EPSON