

SC-P9500 Series SC-P7500 Series

Quick Guide

This manual provides an overview of important operating procedures for this printer. See the User's Guide (online manual) for detailed instructions on using the printer.

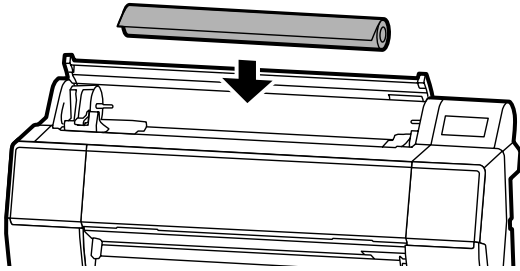
Getting Ready to Print	2
Media Setting not Available in Printer Driver or Control Panel.....	4
Replacing Consumables	6
Cleaning the Print Head and Around the Cap	7
Ejecting Paper to the Basket.....	8
Optional Items.....	9
Introducing the Software	10
Menu List.....	12
Accessing the Online Manuals	16

Getting Ready to Print

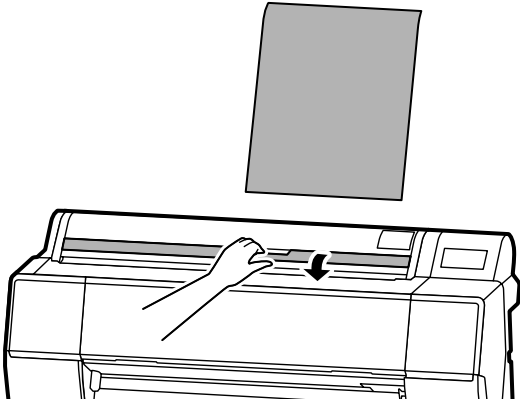
These pages explain how to get the printer ready for printing. Carefully follow these steps to get optimum print quality.

Check the Paper Loading Positions

Roll Paper



Cut Sheet / Poster Board (1 sheet)

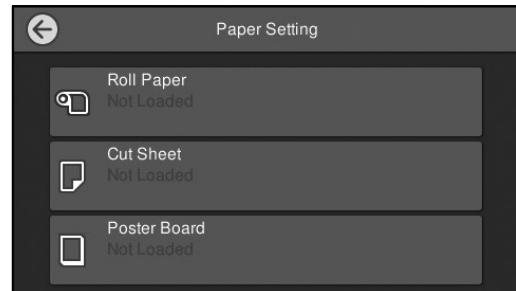


Load the Paper Following the On-Screen Instructions

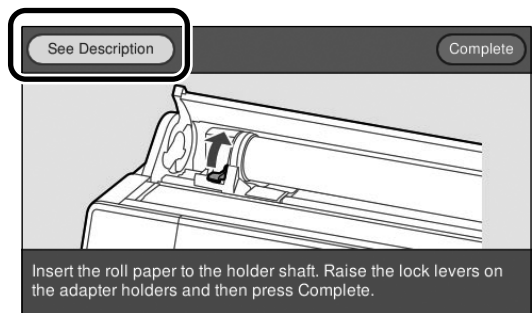
- 1 Touch Paper Setting.



- 2 Select one of the paper sources.



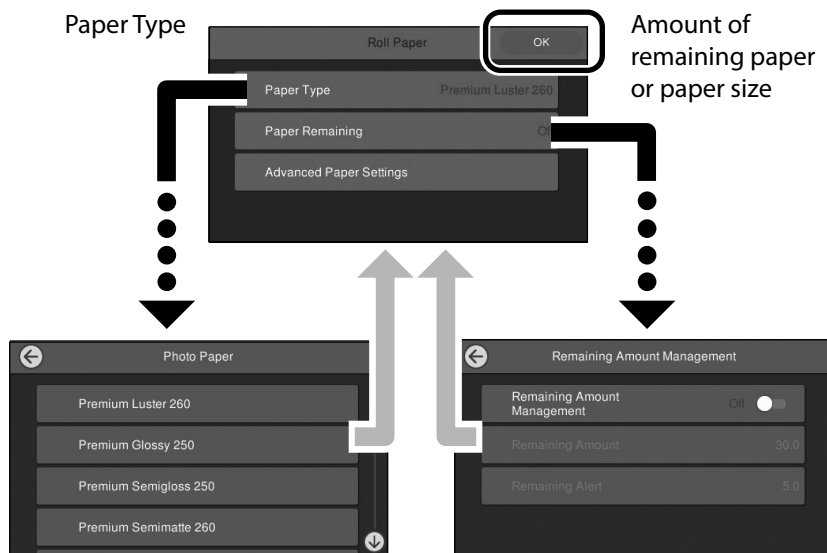
- 3 Touch **See Description** to see detailed on-screen instructions.



Set the Paper Type and Paper Size

The setting items vary according to the paper.
If you select a paper type or size that does not match the loaded paper, the printout will have creases, ink smudges, or banding.
You can also make advanced paper settings if necessary.

Press **OK** after you complete the settings



Paper will start being fed if the screen is not used for 90 seconds.

For Epson Special Paper, set the Paper Type according to the description on the packaging for the paper.
If the media setting you want to use for printing is not available in the printer driver or on the control panel, see the following page to make the media settings. If you print without making media settings, problems such as creases, scuff marks, or banding may occur.

"Media Setting not Available in Printer Driver or Control Panel" on page 4

Print

When **Ready.** is displayed, you can start printing.



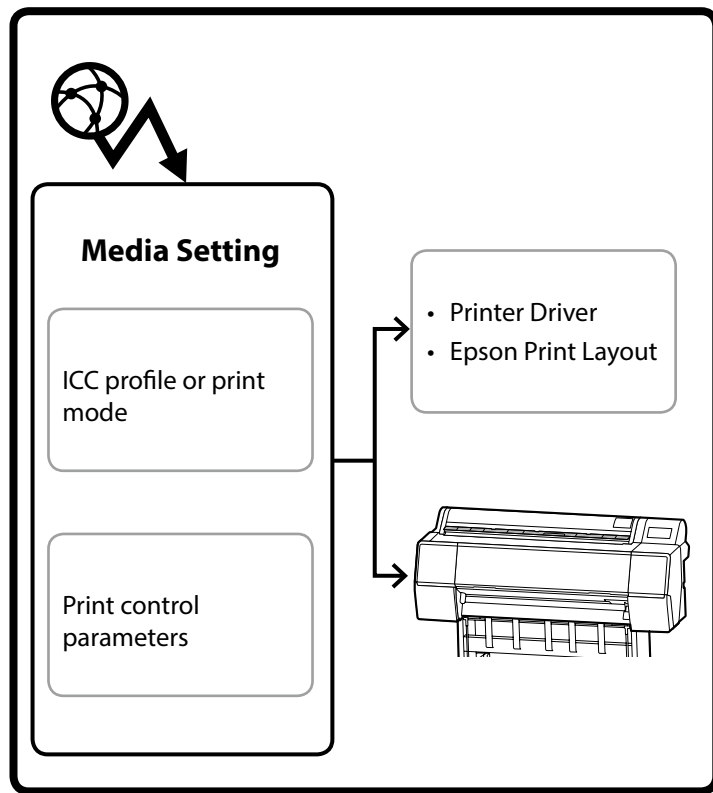
Media Setting not Available in Printer Driver or Control Panel

You can use one of the following methods to make media settings.

- Using the Add Media Setting tool
- Making custom paper settings

Using the Add Media Setting Tool

You can add Media Setting over the Internet. Media Setting is loaded in the printer driver or the printer itself.



- 1 Use one of the following methods to open the Add Media Setting screen.

Epson Edge Dashboard



Printer driver (Windows)



Download the latest printer driver from the Epson Website.

Printer driver (Mac)

See the User's Guide for information on how to display the Add screen.

Displays a list of paper information that you can add.



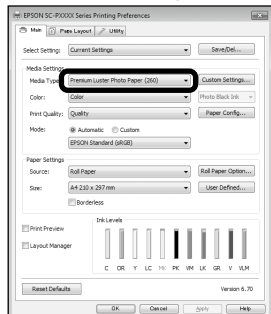
If the Media Setting you want is not available, you can make custom paper settings using this tool. For information on making custom paper settings, see the User's Guide (online manuals).

- 2 Add the Media Setting. Select the paper you want, and then click **Download and Register**.

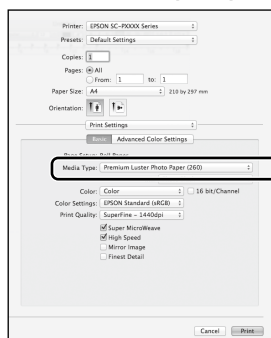


3 Select the paper you want to print on in the Paper Type for the printer driver or in Epson Print Layout.

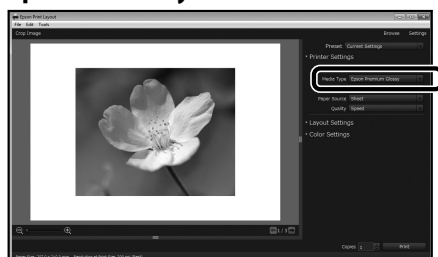
Printer driver (Windows)



Printer driver (Mac)

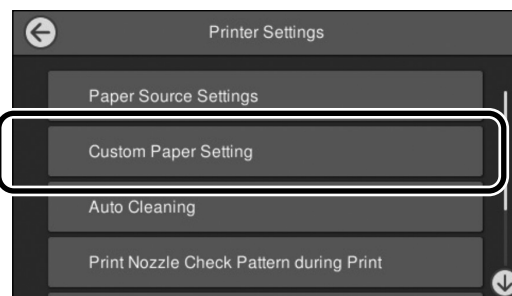


Epson Print Layout



Making Custom Paper Settings

1 Select **General Settings - Printer Settings - Custom Paper Setting** on the control panel.



2 Select the paper number (1 to 30) to which you want to save the settings.

3 Set the paper information.

Make sure you set the following items.

- **Change Reference Paper**
- **Paper Thickness**
- **Roll Core Diameter (Roll paper only)**
- **Paper Feed Offset**

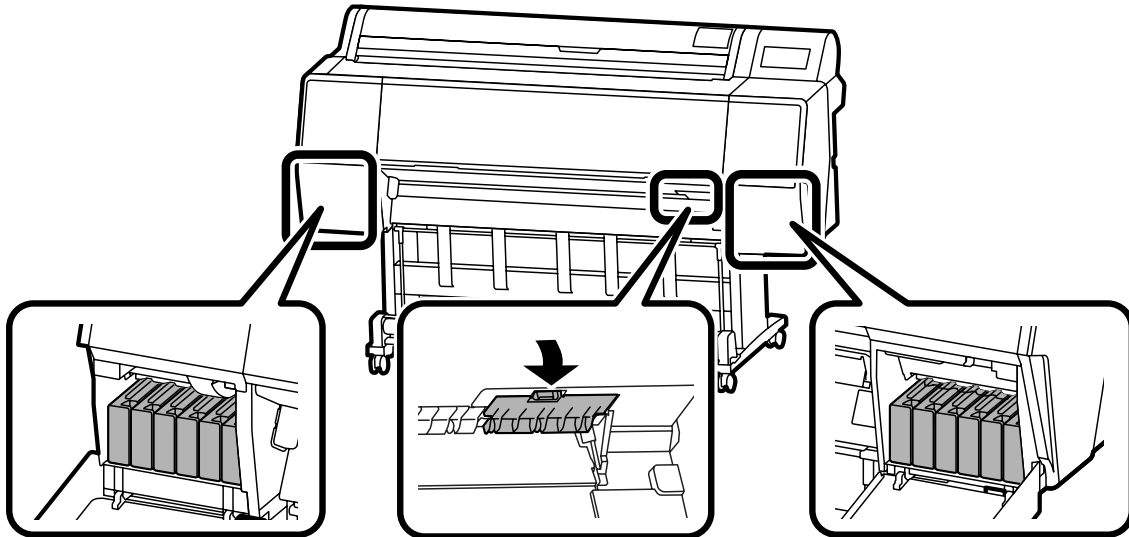
For information on other settings, see the User's Guide (online manuals).

Replacing Consumables

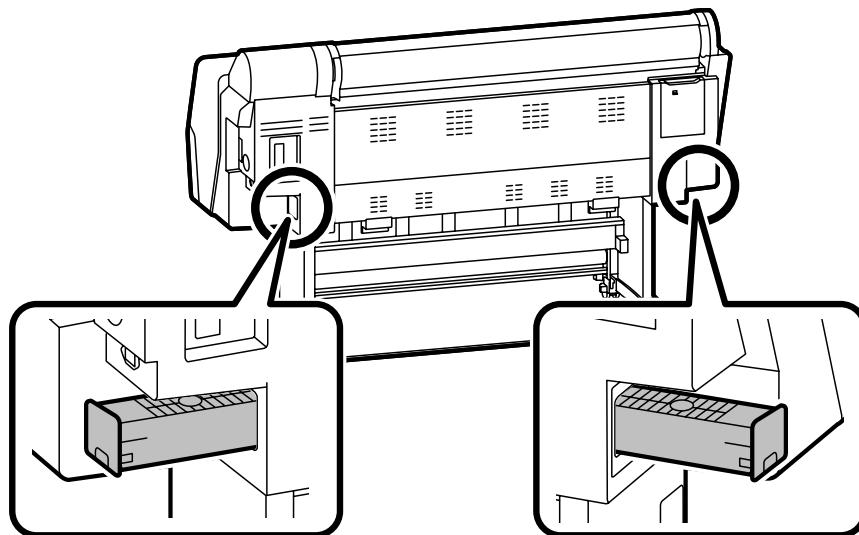
A message is displayed on the control panel when it is time to replace consumables. Follow the on-screen instructions to replace the items. Touch **See Description** on the control panel to check the procedure.

Location of Replacement Parts

Ink cartridges and cutter



Maintenance box

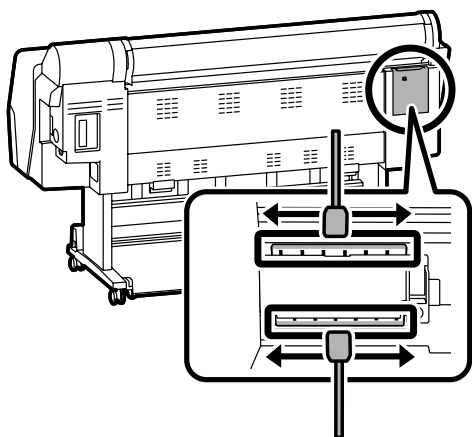


*SC-P9500 Series only

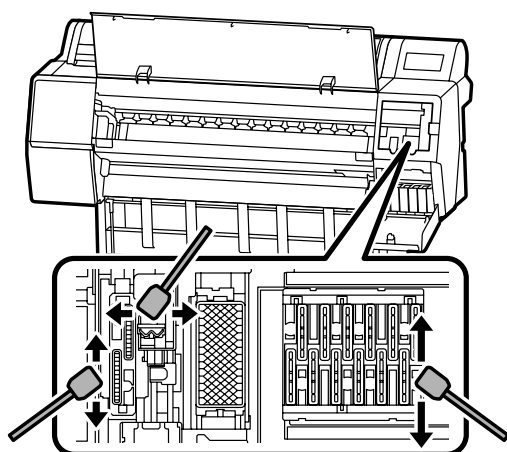
Cleaning the Print Head and Around the Cap

If the print head is clogged and it cannot be cleared using auto cleaning, try cleaning the print head and area around the cap.

Wiping the print head



Wiping around the cap



See the following videos to check the cleaning methods.



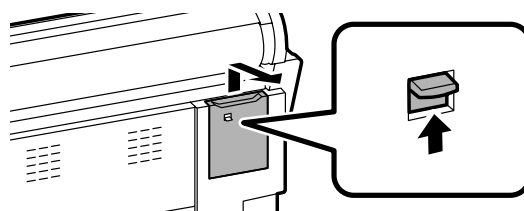
http://www.epson-biz.com/?prd=sc-p9500_sc-p7500&inf=playlist

Accessing the Print Head

- 1 Touch **Maintenance - Cleaning the Maintenance Parts - Wiping the Print Head** on the control panel.

The print head moves to the cleaning position.

- 2 Remove the maintenance cover (Rear).



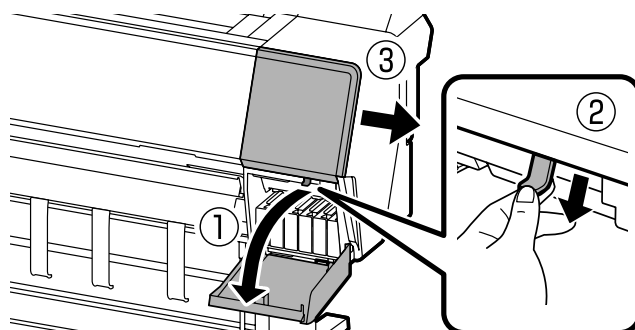
Follow the on-screen instructions to perform cleaning.

Accessing the Area Around the Cap

- 1 Touch **Maintenance - Cleaning the Maintenance Parts - Wiping around the Cap** on the control panel.

The print head moves to the cleaning position.

- 2 Open the ink cover (right), and then remove the maintenance cover (Front).



Follow the on-screen instructions to perform cleaning.

Ejecting Paper to the Basket

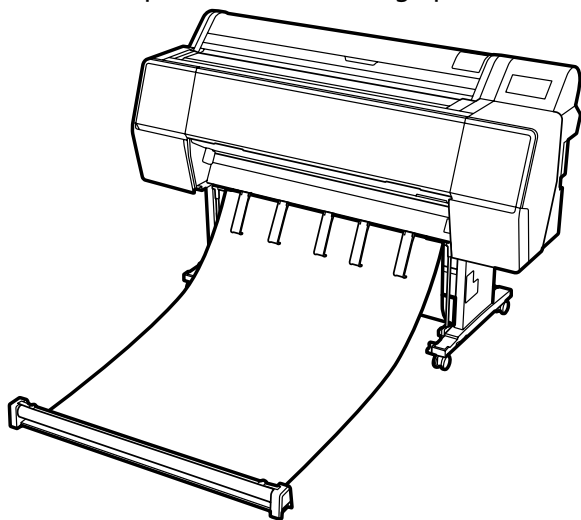
You can use the basket to eject paper smoothly and prevent printouts from getting dirty or wrinkled.



Eject sheets to the basket one at a time. If you allow multiple sheets to pile up in the basket, they may not be ejected correctly.

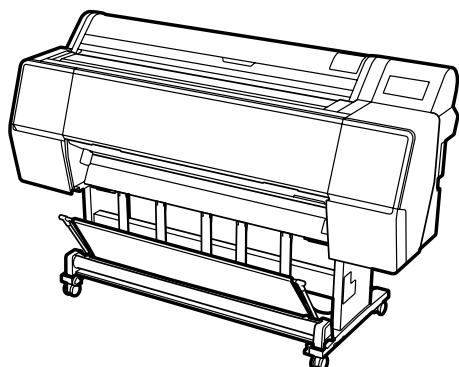
Ejecting from the front of the printer

It is hard to damage the printed surface since the paper is ejected with the printed surface facing up.



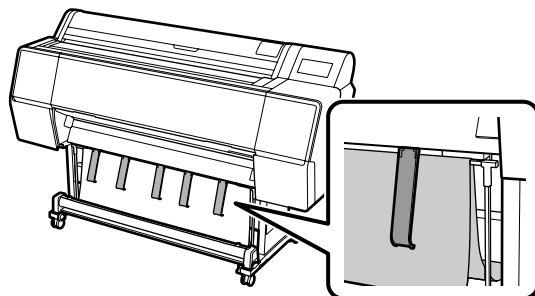
Ejecting from the rear of the printer

Allows you to eject paper into a small space. See the User's Guide (online manuals) for information on installing the basket.

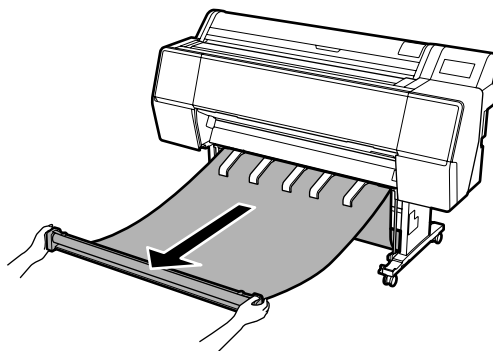


Installing at the Front

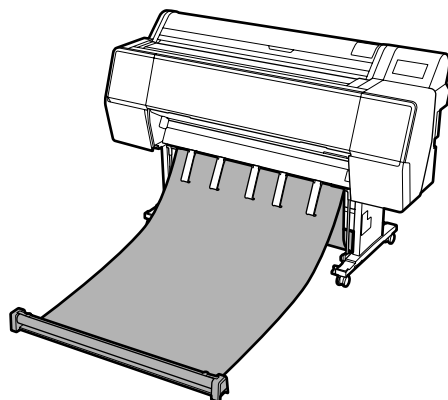
1



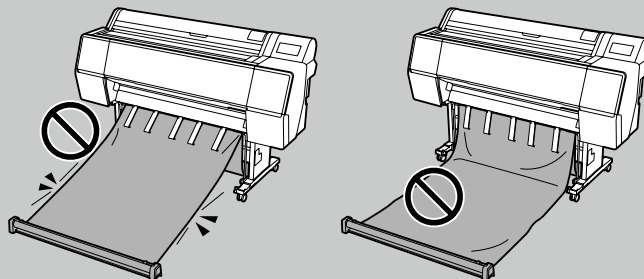
2



3



You may not be able to eject correctly if printing is performed when the cloth is too tense or placed on the floor.



Optional Items

The following outlines the optional items for this printer.

See the manual supplied with each optional item for information on installing them.

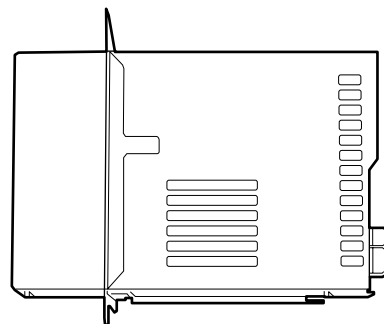
Hard RIP

Adobe® PostScript® 3™ Expansion Unit

Turns the printer into a Post Script enabled printer.

Install it in the options slot.

You cannot install the Adobe PostScript 3 Expansion Unit and the Hard Disk Unit at the same time.



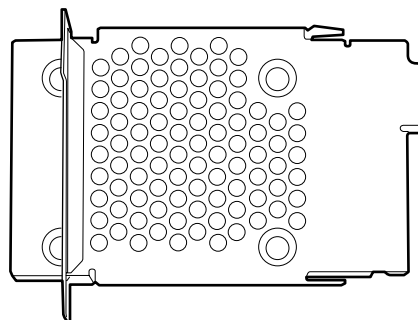
Reprinting easily without a PC

Hard Disk Unit

You can save print jobs and reprint them later without using a PC.

Install it in the options slot.

You cannot install the Adobe PostScript 3 Expansion Unit and the Hard Disk Unit at the same time.



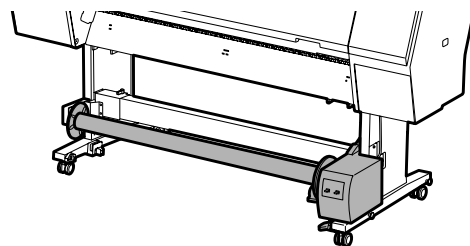
Ideal for banner printing on roll paper

Auto Take-up Reel Unit

Only available for SC-P9500 Series.

Media is taken up automatically during continuous roll paper printing or banner printing.

Remove the basket to install this item.

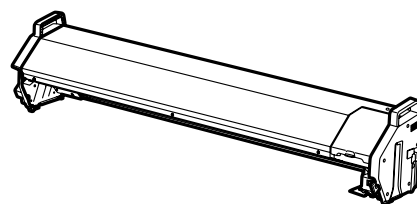


Handle color proofing more efficiently

SpectroProofer Mounter

You can perform color measurement automatically by attaching the color measurement device ILS30EP.

The SpectroProofer Mounters are available for SC-P9500 series and SC-P7500 series.



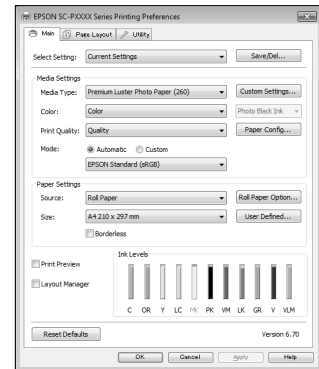
Introducing the Software

Printing Software

Print from any application

Printer driver

Use this software to print data sent from a computer to a printer.



Print high-level re-touched data as images

Epson Print Layout

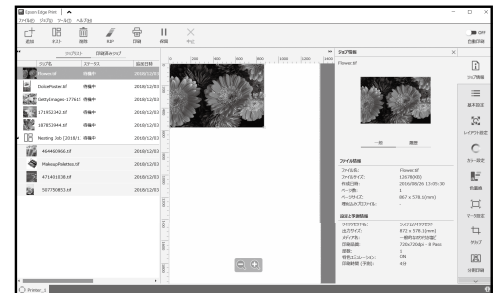
This is plug-in software that is compatible with software such as Adobe® Photoshop® or Adobe® Lightroom®. You can make high-quality prints without having to use unfamiliar software.



Genuine Epson software RIP

Epson Edge Print (optional)

This is genuine Epson software that allows you to maximize the print head and ink performance. It has been optimized for mass production usage.

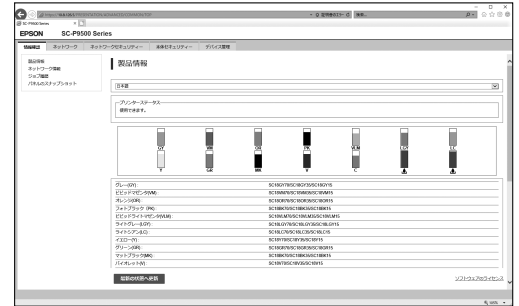


Utility Software

Make a wide variety of settings over a network

Web Config

This software allows you to check and change printer settings using a Web browser. Before you can use Web Config, you need to set an IP address for the printer.

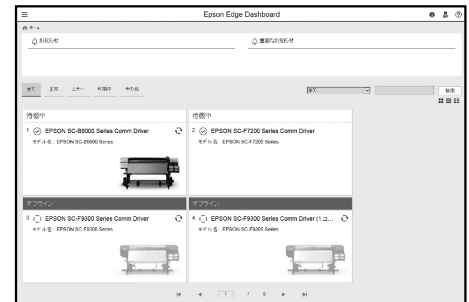


Printer management software

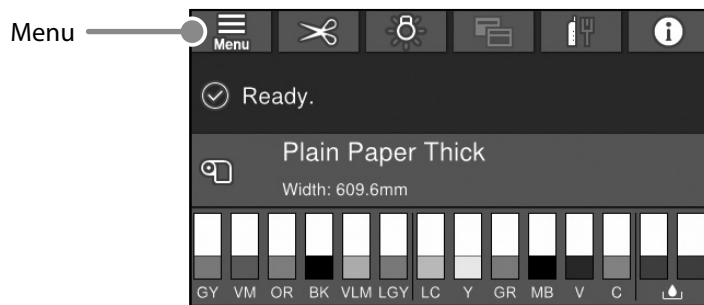
Epson Edge Dashboard

You can view the printer status, add media setting, or update the firmware.

You can manage up to ten printers.



Menu List



Paper Settings

Level 1	Level 2	Level 3		
Roll Paper	Remove			
	Feed/Cut			
	Prepare Taking Up			
	Print Adjustments	Paper Feed Adjustment Head Alignment		
	Advanced Paper Settings		Confirm ICC profile Confirm Color Density Paper Thickness Platen Gap Top Margin Bottom Margin Margin Between Pages Paper Suction Back Tension Drying Time Paper Size Check Auto Cut Skew Reduction Roll Core Diameter Lateral Feed Adjustment Paper Eject Roller Paper Feed Offset Restore Default Settings	
		Remaining Amount Management	Remaining Amount Management Remaining Amount Remaining Alert	
		Change Paper Type		
		Change Paper Type/Paper Width	Paper Type Paper Width	
		Cut Sheet	Remove	
			Print Adjustments	Paper Feed Adjustment Head Alignment
Advanced Paper Settings				Confirm ICC profile Confirm Multi Duty Factor Paper Thickness Platen Gap Paper Suction Drying Time Paper Size Check Skew Reduction Paper Eject Roller Paper Feed Offset Restore Default Settings
			Change Paper Type/Paper Size	Paper Type Paper Size

Level 1	Level 2	Level 3	
Board	Remove		
	Print Adjustments	Paper Feed Adjustment Head Alignment	
	Advanced Paper Settings		Confirm ICC profile Confirm Multi Duty Factor Paper Thickness Paper Suction when Loading Paper Paper Suction Drying Time Paper Size Check Skew Reduction Paper Feed Offset Restore Default Settings
		Change Paper Type/Paper Size	Paper Type Paper Width

General Settings

Level 1	Level 2
Basic Settings	LCD Brightness
	Sounds
	Inside Light
	Alert Lamp Notice
	Sleep Timer
	Power Off Timer
	Circuit Breaker Interlock Startup
	Date/Time Settings
	Language
	Screen Customization
	Operation Time Out
	Keyboard
	Length Unit
	Default Screen(Job/Status)
Printer Settings	Paper Source Settings
	Custom Paper Setting
	Auto Cleaning
	Printing Language
	PS3 Menu
	Print Nozzle Check Pattern during Print
	Save Queue
	PC Connection via USB
USB I/F Timeout Setting	
Network Settings	Wired LAN Setup
	Network Status
	Connection Check
	Advanced
System Administration	Security Settings
	Format Hard Disk
	Restore Default Settings

Maintenance

Level 1
Print Head Nozzle Check
Print Head Cleaning
Power Cleaning
Remove Paper
Replace Ink
Replace Maintenance Box
Replace Cutter
Adjust Cut Position
SpectroProofer Setting
Cleaning the Maintenance Parts
Keeping/Transporting Preparation
Discharging/Charging Ink

Language

Select the language used on the control panel.

Status

Level 1
Print Status Sheet
Firmware Version
Hard Disk Unit
Adobe PS3 Expansion Unit
SpectroProofer
Auto Take-up Reel Unit
Platen Gap Value for Last Print Job
Network

Supply Status

Allows you to check the product numbers for the ink cartridges and the maintenance box.

MEMO

Copyrights and Trademarks

No part of this publication may be reproduced, stored in a retrieval system, or transmitted in any form or by any means, electronic, mechanical, photocopying, recording, or otherwise, without the prior written permission of Seiko Epson Corporation. The information contained herein is designed only for use with this Epson printer. Epson is not responsible for any use of this information as applied to other printers.

Neither Seiko Epson Corporation nor its affiliates shall be liable to the purchaser of this product or third parties for damages, losses, costs, or expenses incurred by the purchaser or third parties as a result of accident, misuse, or abuse of this product or unauthorized modifications, repairs, or alterations to this product, or (excluding the U.S.) failure to strictly comply with Seiko Epson Corporation's operating and maintenance instructions.

Seiko Epson Corporation shall not be liable for any damages or problems arising from the use of any options or any consumable products other than those designated as Original Epson Products or Epson Approved Products by Seiko Epson Corporation.

Seiko Epson Corporation shall not be held liable for any damage resulting from electromagnetic interference that occurs from the use of any interface cables other than those designated as Epson Approved Products by Seiko Epson Corporation.

EPSON, EPSON EXCEED YOUR VISION, EXCEED YOUR VISION, and their logos are registered trademarks or trademarks of Seiko Epson Corporation.

Microsoft®, Windows®, and Windows Vista® are registered trademarks of Microsoft Corporation.

Mac, macOS, OS X, Bonjour, and Safari are trademarks of Apple Inc., registered in the U.S. and other countries.


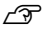
YouTube® and the YouTube logo are registered trademarks or trademarks of YouTube, LLC.

Adobe and Reader are either registered trademarks or trademarks of Adobe Systems Incorporated in the United States and/or other countries.

General Notice: Other product names used herein are for identification purposes only and may be trademarks of their respective owners. Epson disclaims any and all rights in those marks.

© 2019 Seiko Epson Corporation. All rights reserved.

Meaning of Symbols

 Important	Important must be followed to avoid damage to this product.
	Indicates related reference content.

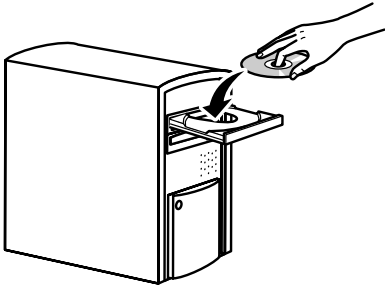
Accessing the Online Manuals

You can see detailed instructions for using this printer.

You can access the Online Manuals using one of the following methods.

Access from the Manual Launcher

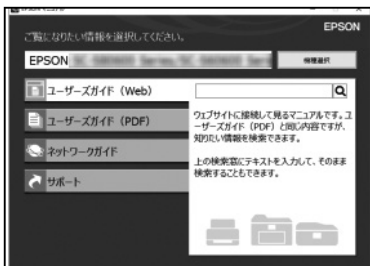
- 1 Install the software from the software disc supplied.



- 2 Double-click EPSON Manuals on your desktop.

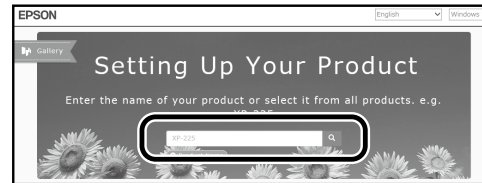


- 3 Click the manual you want to access to view the manual.

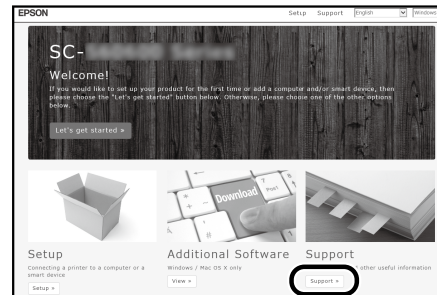


Access the Dedicated Epson Website eposn.sn

- 1 Access <http://epson.sn> and search for the product name.



- 2 Select **Support**.



- 3 Click the manual you want to access to view the manual.

