

**SC-F7200 Series**  
**SC-F7100 Series**  
**SC-F7000 Series**

**User's Guide**

---

## Copyrights and Trademarks

---

### **Copyrights and Trademarks**

No part of this publication may be reproduced, stored in a retrieval system, or transmitted in any form or by any means, electronic, mechanical, photocopying, recording, or otherwise, without the prior written permission of Seiko Epson Corporation. The information contained herein is designed only for use with this Epson printer. Epson is not responsible for any use of this information as applied to other printers.

Neither Seiko Epson Corporation nor its affiliates shall be liable to the purchaser of this product or third parties for damages, losses, costs, or expenses incurred by the purchaser or third parties as a result of accident, misuse, or abuse of this product or unauthorized modifications, repairs, or alterations to this product, or (excluding the U.S.) failure to strictly comply with Seiko Epson Corporation's operating and maintenance instructions.

Seiko Epson Corporation shall not be liable for any damages or problems arising from the use of any options or any consumable products other than those designated as Original Epson Products or Epson Approved Products by Seiko Epson Corporation.

Seiko Epson Corporation shall not be held liable for any damage resulting from electromagnetic interference that occurs from the use of any interface cables other than those designated as Epson Approved Products by Seiko Epson Corporation.

EPSON, EPSON EXCEED YOUR VISION, EXCEED YOUR VISION and their logos are registered trademarks or trademarks of Seiko Epson Corporation.

Microsoft®, Windows®, and Windows Vista® are registered trademarks of Microsoft Corporation.

Apple®, Macintosh®, Mac OS®, OS X®, and Bonjour® are registered trademarks of Apple Inc.

Intel® is a registered trademark of Intel Corporation.

PowerPC® is a registered trademark of International Business Machines Corporation.

*General Notice: Other product names used herein are for identification purposes only and may be trademarks of their respective owners. Epson disclaims any and all rights in those marks.*

© 2015 Seiko Epson Corporation. All rights reserved.

**Contents**

**Contents**

**Copyrights and Trademarks**

**Introduction**

Important Safety Instructions. . . . . 5

    When Choosing a Place for This Product. . . . . 5

    When Setting Up This Product. . . . . 5

    When Using This Product. . . . . 5

    When Handling the Ink Packs. . . . . 6

Notes on This Guide. . . . . 6

    Meaning of Symbols. . . . . 6

    The Symbols on the Product . . . . . 6

    Illustrations. . . . . 6

    Operating System Versions. . . . . 6

Printer Parts. . . . . 8

    Front (SC-F7200/SC-F7100 Series). . . . . 8

    Front (SC-F7000 Series). . . . . 12

    Slider. . . . . 15

    LAN Port. . . . . 15

    Inside. . . . . 16

    Back. . . . . 17

    Control Panel. . . . . 19

    Understanding the Display. . . . . 20

Features. . . . . 22

    Realizing High Productivity. . . . . 22

    Superior Ease of Use. . . . . 22

    High Print Quality. . . . . 23

Notes on Usage and Storage. . . . . 23

    Installation Space. . . . . 23

    Notes When Using the Printer. . . . . 23

    Notes When Not Using the Printer. . . . . 24

    Notes on Handling Ink Packs and Ink Tanks  
    . . . . . 25

    Handling Media. . . . . 25

Using the Supplied Software. . . . . 27

    Contents of the Software Disc. . . . . 27

Uninstalling Software. . . . . 28

Using EPSON LFP Remote Panel 2 . . . . . 28

    Starting EPSON LFP Remote Panel 2. . . . . 28

    Exiting EPSON LFP Remote Panel 2. . . . . 29

**Basic Operations**

Loading and Exchanging Media. . . . . 30

    Notes on Loading Media. . . . . 30

    Loading Media (SC-F7200/SC-F7100 Series)  
    . . . . . 30

    Loading Media (SC-F7000 Series). . . . . 37

    Viewing and Changing Media Settings. . . . . 43

    Exchanging Media. . . . . 44

Using the Auto Take-up Reel Unit. . . . . 46

    Media Loading (SC-F7200/SC-F7100 Series)  
    . . . . . 46

    Removing the Take-up Roll (SC-F7200/SC-  
    F7100 Series). . . . . 53

    Media Loading (SC-F7000 Series). . . . . 54

    Removing the Take-up Roll (SC-F7000 Series)  
    . . . . . 60

Before Printing. . . . . 61

Saving Optimal Settings for the Current Media  
(Print Media Settings). . . . . 61

    Parameters Stored in Media Setting Banks. . . . . 61

    Saving Settings. . . . . 62

Correcting Print Misalignment (Head  
Alignment). . . . . 67

Feed Adjustment. . . . . 69

    Using a Test Pattern. . . . . 69

Changing Settings During Printing . . . . . 70

    Feed Adjustment. . . . . 70

    Heating & Drying. . . . . 71

Printable Area. . . . . 72

**Maintenance**

When to Perform Various Maintenance  
Operations. . . . . 74

    Cleaning. . . . . 74

    Replacing and Refilling Consumables. . . . . 75

    Other Maintenance. . . . . 75

Preparation and Notes. . . . . 76

    What You'll Need. . . . . 76

    Precautions Regarding Maintenance. . . . . 76

    Moving the Print Head. . . . . 77

    Using Ink Cleaner. . . . . 77

Cleaning. . . . . 78

    Cleaning Around the Print Head. . . . . 78

    Cleaning Wiper and Attachment Point. . . . . 80

    Cleaning the Caps. . . . . 81

    Cleaning the Platen, Pressure Rollers, and  
    Media Holding Plates. . . . . 83

Replacing and Refilling Consumables. . . . . 85

    Chip Unit Replacement and Ink Refills. . . . . 85

    Disposing of Waste Ink. . . . . 91

    Replacing the Wiper Cleaners and Wipers. . . . . 93

## Contents

Replacing the Sliding Media Holding Plates. . . . .	95
Other Maintenance. . . . .	98
Stirring High Density Black ink. . . . .	98
Checking for Clogged Nozzles. . . . .	99
Head Cleaning. . . . .	100
Disposal of Used Consumables. . . . .	101
Parts That Are Periodically Replaced. . . . .	102

### **Using the Control Panel Menu**

Menu Operations. . . . .	103
Menu List. . . . .	104
Details of the Menu. . . . .	109
The Media Setup Menu. . . . .	109
Printer Setup Menu. . . . .	115
The Maintenance Menu. . . . .	118
The Print Logs Menu. . . . .	118
The Printer Status Menu. . . . .	119
The Network Setup Menu. . . . .	119
The Preference Menu. . . . .	119
The Reset All Settings Menu. . . . .	120

### **Problem Solver**

When a Message is Displayed. . . . .	121
When a Maintenance Call/Service Call Occurs. . . . .	122
Troubleshooting. . . . .	123
You Cannot Print (Because the Printer Does Not Work). . . . .	123
The Printer Sounds Like It Is Printing, But Nothing Prints. . . . .	123
The Prints Are Not What You Expected. . . . .	124
Media. . . . .	128
Others. . . . .	130

### **Appendix**

Options and Consumable Products. . . . .	131
Supported Media. . . . .	132
Moving and Transporting the Printer. . . . .	132
Moving the Printer. . . . .	132
Transport. . . . .	133
Removing and Attaching the Media Guide Bar. . . . .	133
Removing the Media Guide Bar. . . . .	133
Attaching the Media Guide Bar. . . . .	136
Parallel Adjustment. . . . .	139
Parallel Adjustment Using Tool A. . . . .	139
Parallel Adjustment Using Tool B. . . . .	150
System Requirements. . . . .	164
Specifications Table. . . . .	164

Standards and Approvals. . . . .	166
----------------------------------	-----

### **Where To Get Help**

Technical Support Web Site. . . . .	167
Contacting Epson Support. . . . .	167
Before Contacting Epson. . . . .	167
Help for Users in North America. . . . .	168
Help for Users in Europe. . . . .	168
Help for Users in Australia. . . . .	168
Help for Users in Singapore. . . . .	169
Help for Users in Thailand. . . . .	169
Help for Users in Vietnam. . . . .	169
Help for Users in Indonesia. . . . .	169
Help for Users in Hong Kong. . . . .	170
Help for Users in Malaysia. . . . .	170
Help for Users in India. . . . .	170
Help for Users in the Philippines. . . . .	171

### **Software License Terms**

Open Source Software Licenses. . . . .	172
Bonjour. . . . .	172
Other Software Licenses. . . . .	177
Info-ZIP copyright and license. . . . .	177

## Introduction

---

# Introduction

---

## Important Safety Instructions

Read all of these instructions before using the printer. Also be sure to follow all warnings and instructions marked on the printer.

---

### When Choosing a Place for This Product

- ❑ Place this product on a flat, stable surface that is larger than this product. This product will not operate properly if it is tilted or at an angle.
- ❑ Avoid places subject to rapid changes in temperature and humidity. Also keep it away from direct sunlight, strong light, or heat sources.
- ❑ Avoid places subject to shocks and vibrations.
- ❑ Keep this product away from dusty areas.
- ❑ Place this product near a wall outlet where the plug can be easily unplugged.

---

### When Setting Up This Product

- ❑ This product's power cord is for use with this product only. Use with other equipment may result in fire or electric shock.
- ❑ Connect all equipment to properly grounded power outlets. Avoid using outlets on the same circuit as copiers or air control systems that regularly switch on and off.
- ❑ Avoid electrical outlets controlled by wall switches or automatic timers.
- ❑ Keep the entire computer system away from potential sources of electromagnetic interference, such as loudspeakers or the base units of cordless telephones.
- ❑ Use only the type of power source indicated on the product's label.

- ❑ Use only the power cord that comes with this product. Use of another cord may result in fire or electric shock.
- ❑ Do not use a damaged or frayed power cord.
- ❑ If you use an extension cord with this product, make sure the total ampere rating of the devices plugged into the extension cord does not exceed the cord's ampere rating. Also, make sure the total ampere rating of all devices plugged into the wall outlet does not exceed the wall outlet's ampere rating.
- ❑ If you plan to use the printer in Germany, observe the following:

To provide adequate short-circuit protection and over-current protection for this printer, the building installation must be protected by a 10 or 16 amp circuit breaker.

- ❑ If damage occurs to the plug, replace the cord set or consult a qualified electrician. If there are fuses in the plug, make sure you replace them with fuses of the correct size and rating.

---

### When Using This Product

- ❑ Do not block or cover the openings in this product's cabinet.
- ❑ Do not insert objects through the slots. Take care not to spill liquid on this product.
- ❑ Do not attempt to service this product yourself.
- ❑ Unplug this product and refer servicing to qualified service personnel under the following conditions: The power cord or plug is damaged; liquid has entered the product; the product has been dropped or the cabinet damaged; the product does not operate normally or exhibits a distinct change in performance.
- ❑ Do not move the print heads by hand; otherwise you may damage this product.
- ❑ Always turn the product off using the Power button on the control panel. When this button is pressed, the Power light flashes briefly then goes off. Do not unplug the power cord or turn off the product until the Power light stops flashing.

## Introduction

- ❑ SC-F7100 and SC-F7200 Series (model K191A) have two power systems. There is a risk of electric shock unless the two power cables are unplugged during the maintenance.

### When Handling the Ink Packs




- ❑ Keep ink packs out of the reach of children and do not drink.
- ❑ Wear protective eyewear, gloves, and a mask when performing maintenance.

Should ink contact your skin or enter your eyes or mouth, immediately take the following actions:

- ❑ If fluid adheres to your skin, immediately wash it off using large volumes of soapy water. Consult a physician if the skin appears irritated or is discolored.
- ❑ If fluid enters your eyes, rinse immediately with water. Failure to observe this precaution could result in bloodshot eyes or mild inflammation.
- ❑ If fluid enters your mouth, consult a physician immediately.
- ❑ If fluid is swallowed, do not force the person to vomit, and consult with a physician immediately. If the person is forced to vomit, fluid may get caught in the trachea which can be dangerous.

## Notes on This Guide

### Meaning of Symbols




 <b>Warning:</b>	Warnings must be followed to avoid serious bodily injury.
 <b>Caution:</b>	Cautions must be followed to avoid bodily injury.
 <b>Important:</b>	Important must be followed to avoid damage to this product.

<b>Note:</b>	Notes contain useful or additional information on the operation of this product.
--------------	--

### The Symbols on the Product

The symbols on this Epson product are used in order to ensure safety and proper use of the product and to prevent danger to customers and other persons, and property damage.

The symbols indicate the meaning below. Be sure that you completely understand the meaning of symbols on this product before using it.

-  Stand-by
-  Caution/Hot surface
-  No fire

### Illustrations

The illustrations in this manual may differ slightly from the actual objects they are intended to represent.

### Operating System Versions

In this documentation, the following abbreviations are used.

**Windows refers to Windows 8, 7, Vista, XP.**

- ❑ Windows 8 refers to Windows 8, Windows 8 Pro, and Windows 8 Enterprise.
- ❑ Windows 7 refers to Windows 7 Home Basic, Windows 7 Home Premium, Windows 7 Professional, and Windows 7 Ultimate.
- ❑ Windows Vista refers to Windows Vista Home Basic Edition, Windows Vista Home Premium Edition, Windows Vista Business Edition, Windows Vista Enterprise Edition, and Windows Vista Ultimate Edition.

## Introduction

- ❑ Windows XP refers to Windows XP Home Edition, Windows XP Professional x64 Edition, and Windows XP Professional.

**Macintosh refers to Mac OS X.**

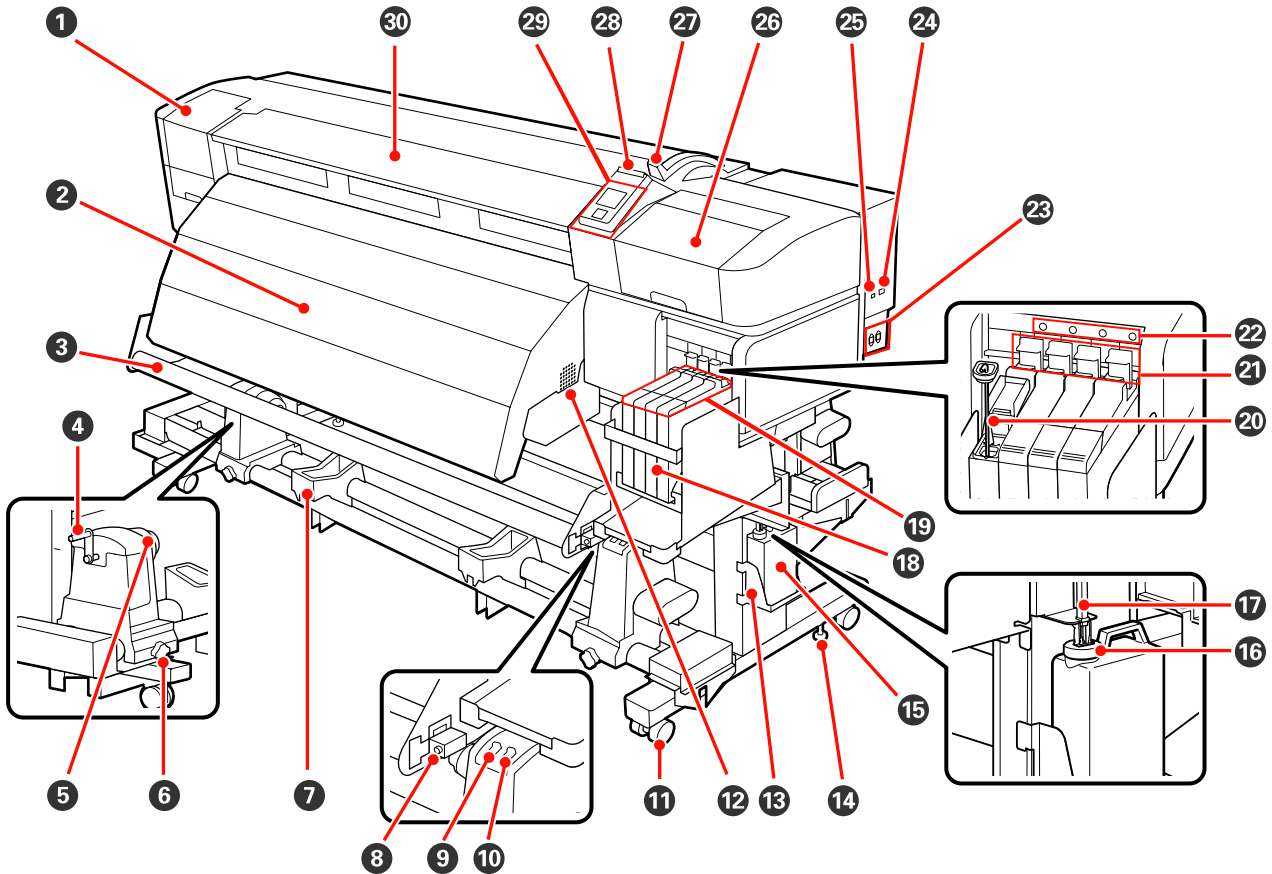
Mac OS X refers to Mac OS X 10.6.8 and later versions.

Introduction

# Printer Parts

## Front (SC-F7200/SC-F7100 Series)

The illustration shows the SC-F7200 Series.



**1 Maintenance cover (left)**

Open this cover to clean the area around the print head. Normally closed when using the printer.

 [“Cleaning Around the Print Head” on page 78](#)

**2 After heater**

The after heater can be used to rapidly dry ink after printing.

 [“Heating & Drying\(SC-F7200/SC-F7100 Series only\)” on page 63](#)

**3 Media guide bar**

The media guide bar maintains tension to prevent the media sagging as it is taken up.

**4 Handle**

After placing media on the left roll holder, rotate the handle to press the holder and apply pressure to the roll core.



## Introduction

### 5 Roll core holder

Place the used roll core for media take-up on these holders. There are two supports: one on the left and one on the right.

 [“Media Loading \(SC-F7200/SC-F7100 Series\)” on page 46](#)

### 6 Roll core holder locking screw

The locking screws keep the roll core holders in place once they have been attached to the roll core. There are two supports: one on the left and one on the right.

### 7 Roll support

Rest media temporarily on these supports when removing the take-up roll. There are two supports: one on the left and one on the right.

### 8 Adjustment screw

Use the adjustment screw when performing parallel adjustment.

### 9 Auto switch

Use this switch to select the auto take-up direction. Choose Off to disable auto take-up.

### 10 Manual switch

Use this switch to select the manual take-up direction. The selected option takes effect when the Auto switch is in the Off position.

### 11 Casters

There are two casters on each leg. Once installation is complete, the front casters should be kept locked while the printer is in use.

If the stand fixing screw is lowered too much, the caster rises off the floor. Do not use the printer when a caster is off the floor.

### 12 Airflow vents

Allows air to flow into the printer. Do not obstruct these vents.

### 13 Waste Ink Bottle holder

Place the Waste Ink Bottle in this holder.

### 14 Stand fixing screw

The SC-F7200 Series has two casters on each leg while the SC-F7100 Series only has one caster on each leg. In addition to locking the casters, the stand fixing screws also keep the printer securely in place. The stand fixing screws cannot be used for horizontal adjustment of the printer. After installing the printer, keep it securely in place during use.

### 15 Waste Ink Bottle

Waste ink collects in this bottle.

Replace with a new Waste Ink Bottle when the level approaches the line.

### 16 Stopper

The stopper prevents splatter when the waste ink is ejected.

Fit the stopper closely to the mouth of the Waste Ink Bottle in most situations.

## Introduction

### 17 Waste ink tube

Waste ink is discharged from this tube. Be sure the end of this tube is in the Waste Ink Bottle while the printer is in use.

### 18 Ink tank

Holds ink used for printing.

### 19 Slider

 [“Slider” on page 15](#)

### 20 Stirring stick

This is only for the High Density Black ink tank. Stir the ink in the ink tank once a week.

### 21 Lock lever

Raise the lock lever to unlock the slider for removal when replacing the chip unit. Always lower the lock lever into the locked position after inserting the slider.

### 22 Chip unit check lamp

This lamp turns on when a message related to the chip unit is displayed.

On : Check the contents of the error on the control panel's screen and deal with the error.

Off : No error.

### 23 AC inlet #1/AC inlet #2

Connects the power cable. Be sure to connect both cables.

### 24 LAN Port

 [“LAN Port” on page 15](#)

### 25 USB port

Connects the USB cable.

### 26 Maintenance cover (right)

Open this cover to perform maintenance around the print head. Normally closed when using the printer.

 [“Cleaning” on page 78](#)

### 27 Media loading lever

After loading media, lower the media loading lever to keep the media in place. Raise the lever to release the media prior to removal.

### 28 Alert lamp

This lamp lights or flashes when an error occurs.

On/Flashing : An error occurred. The type of error is indicated by how the lamp lights or flashes. Check the contents of the error on the control panel's screen.

Off : No error.

### 29 Control Panel

 [“Control Panel” on page 19](#)

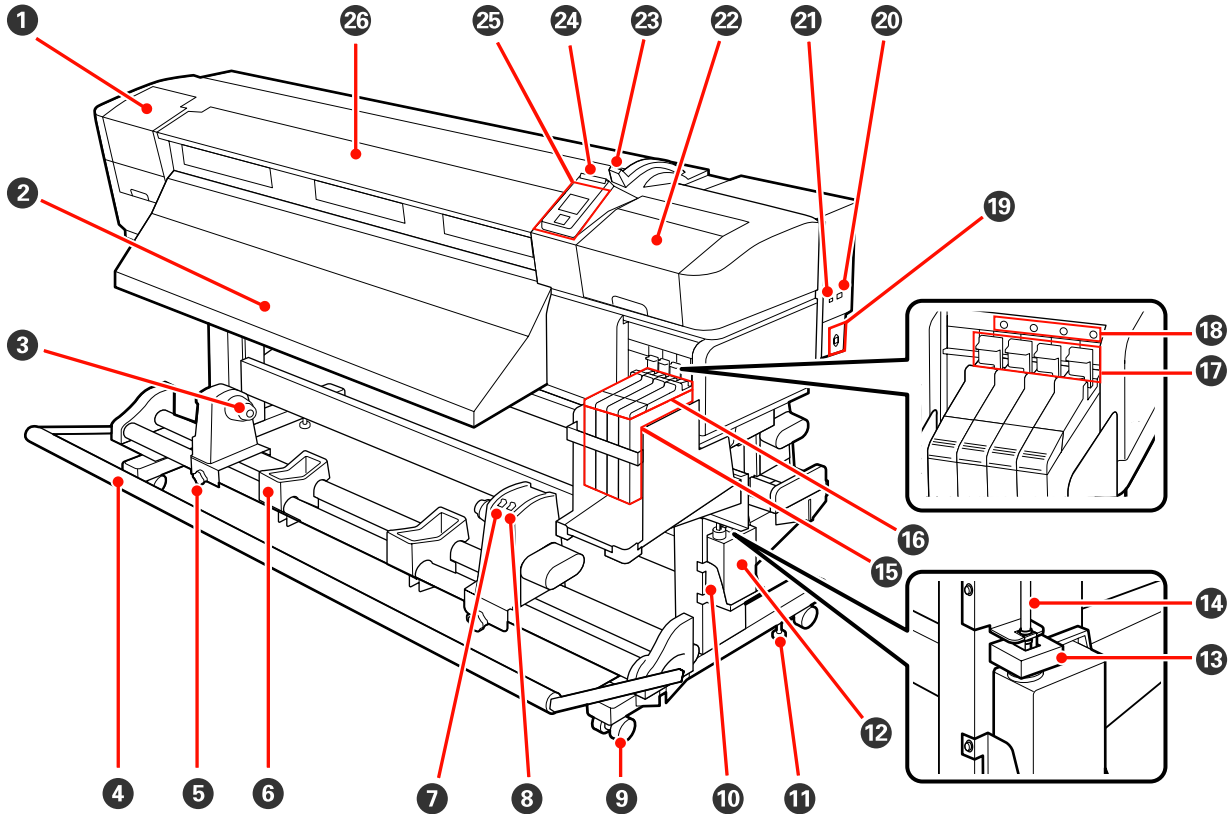
## Introduction

### 30 Front cover

Open when loading media, cleaning the inside of the printer, or removing jammed media. Normally closed when using the printer.

Introduction

Front (SC-F7000 Series)



- 1 Maintenance cover (left)**  
 Open this cover to clean the area around the print head. Normally closed when using the printer.

[👉 “Cleaning Around the Print Head” on page 78](#)
- 2 Eject guide**  
 Media is ejected along this guide.
- 3 Roll core holder**  
 Place the used roll core for media take-up on these holders. There are two supports: one on the left and one on the right.

[👉 “Media Loading \(SC-F7000 Series\)” on page 54](#)
- 4 Tensioner**  
 The media guide bar maintains tension to prevent the media sagging as it is taken up.
- 5 Roll core holder locking screw**  
 The locking screws keep the roll core holders in place once they have been attached to the roll core. There are two supports: one on the left and one on the right.
- 6 Roll support**  
 Rest media temporarily on these supports when removing the take-up roll. There are two supports: one on the left and one on the right.
- 7 Auto switch**  
 Use this switch to select the auto take-up direction. Choose Off to disable auto take-up.

## Introduction

### 8 Manual switch

Use this switch to select the manual take-up direction. The selected option takes effect when the Auto switch is in the Off position.

### 9 Casters

There are two casters on each leg. Once installation is complete, the front casters should be kept locked while the printer is in use.

If the stand fixing screw is lowered too much, the caster rises off the floor. Do not use the printer when a caster is off the floor.

### 10 Waste Ink Bottle holder

Place the Waste Ink Bottle in this holder.

### 11 Stand fixing screw

In addition to locking the casters, the stand fixing screws also keep the printer securely in place. The stand fixing screws cannot be used for horizontal adjustment of the printer. After installing the printer, keep it securely in place during use.

### 12 Waste Ink Bottle

Waste ink collects in this bottle.

Replace with a new Waste Ink Bottle when the level approaches the line.

### 13 Stopper

The stopper prevents splatter when the waste ink is ejected.

Fit the stopper closely to the mouth of the Waste Ink Bottle in most situations.

### 14 Waste ink tube

Waste ink is discharged from this tube. Be sure the end of this tube is in the Waste Ink Bottle while the printer is in use.

### 15 Ink tank

Holds ink used for printing.

### 16 Slider

 ["Slider" on page 15](#)

### 17 Lock lever

Raise the lock lever to unlock the slider for removal when replacing the chip unit. Always lower the lock lever into the locked position after inserting the slider.

### 18 Chip unit check lamp

This lamp turns on when a message related to the chip unit is displayed.

On : Check the contents of the error on the control panel's screen and deal with the error.

Off : No error.

### 19 AC inlet

Connects the power cable.

### 20 LAN Port

 ["LAN Port" on page 15](#)

## Introduction

### 21 USB port

Connects the USB cable.

### 22 Maintenance cover (right)

Open this cover to perform maintenance around the print head. Normally closed when using the printer.

 [“Cleaning” on page 78](#)

### 23 Media loading lever

After loading media, lower the media loading lever to keep the media in place. Raise the lever to release the media prior to removal.

### 24 Alert lamp

This lamp lights or flashes when an error occurs.

On/Flashing : An error occurred. The type of error is indicated by how the lamp lights or flashes. Check the contents of the error on the control panel's screen.

Off : No error.

### 25 Control Panel

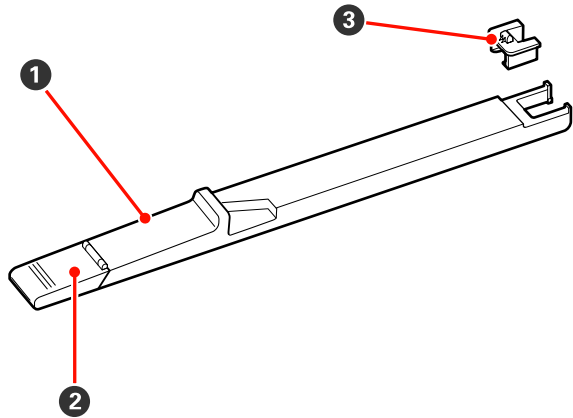
 [“Control Panel” on page 19](#)

### 26 Front cover

Open when loading media, cleaning the inside of the printer, or removing jammed media. Normally closed when using the printer.

Introduction

**Slider**

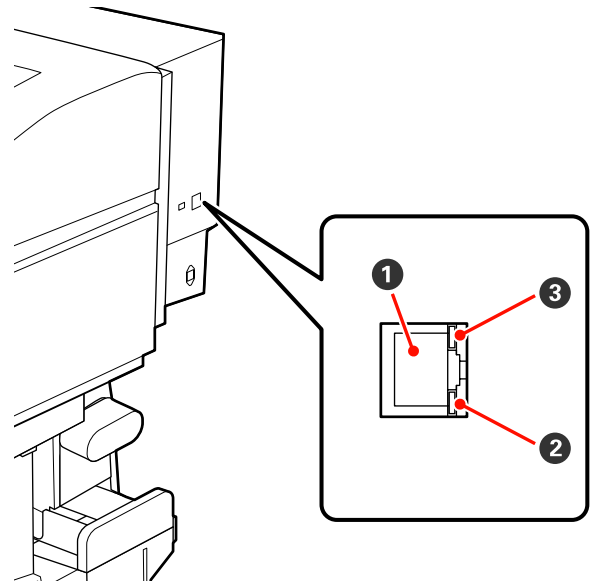


- 1 Slider**  
 Attach the chip unit included with the ink pack before refilling the ink.

[👉 “Chip Unit Replacement and Ink Refills” on page 85](#)
- 2 Ink inlet cover**  
 Open this cover to refill the ink tank with ink.
- 3 Chip unit**  
 A unit that includes an IC chip.

This is included with the ink pack.

**LAN Port**



- 1 RJ-45 connector**  
 Connects the LAN cable. Use a shielded twisted pair cable (category 5 or higher).
- 2 Data lamp (orange)**  
 Indicates the network connection status and data receive status by flashing and/or turning on.

On : Connected.

Flashin  
g : Receiving data.
- 3 Status lamp (green/red)**  
 The color indicates the network connection speed.

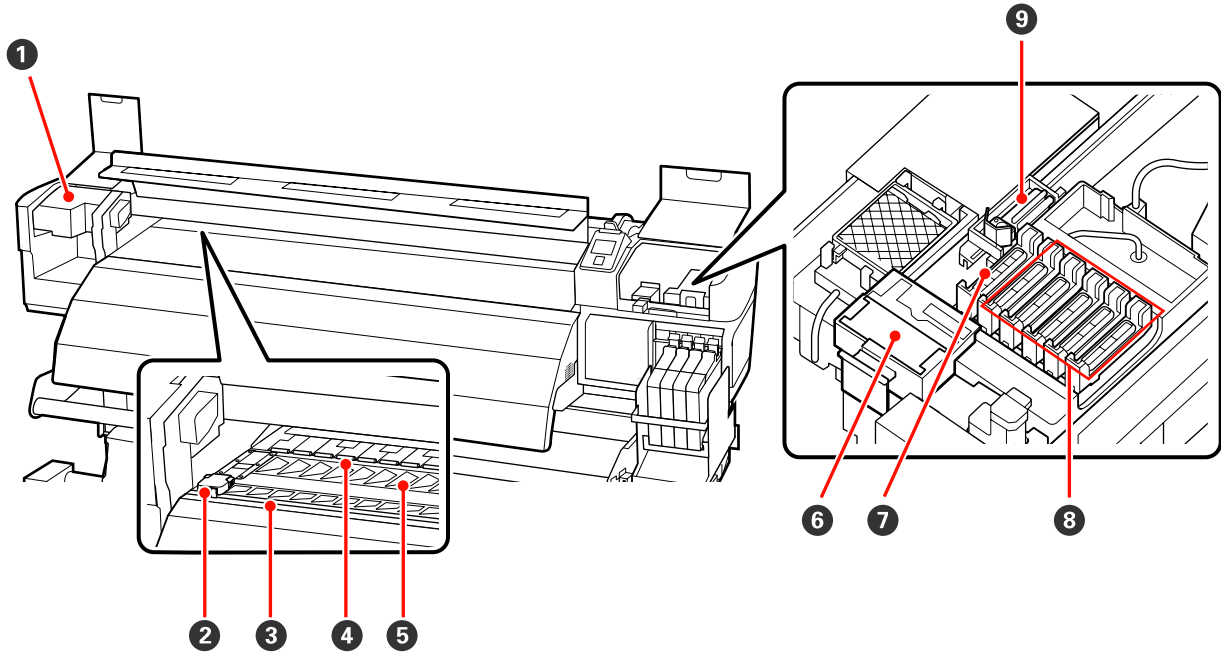
Red : 100Base-TX

Green : 1000Base-T

## Introduction

### Inside

Dirt on any of the following parts may reduce print quality. Regularly clean or exchange these parts as described in the chapters listed in the reference sections below. The illustration shows the display for the SC-F7200 Series.



#### 1 Print head

The print head prints by moving left and right while emitting ink. Cleaning may be required depending on the status.

 [“Cleaning Around the Print Head” on page 78](#)

#### 2 Media holding plate

The media holding plates prevent the media riding up and keeps fibers on the cut edge of the media from touching the print head. Position the plates at either side of the media before printing.

 [“Loading Media \(SC-F7200/SC-F7100 Series\)” on page 30](#)

 [“Loading Media \(SC-F7000 Series\)” on page 37](#)

#### 3 Cutter groove

Pass the blade of a cutter (available in the market) down this groove to cut media.

#### 4 Pressure rollers

These rollers press down on the media during printing.

 [“Cleaning the Platen, Pressure Rollers, and Media Holding Plates” on page 83](#)

#### 5 Platen

This part suctions the media for printing.

 [“Cleaning the Platen, Pressure Rollers, and Media Holding Plates” on page 83](#)



## Introduction

### 6 Wiper cleaner

The wiper cleaner removes ink from the wiper. It is a consumable; replacement may be required depending on the status.

☞ [“Replacing the Wiper Cleaners and Wipers” on page 93](#)

### 7 Suction caps

These caps absorb the ink from the tips of the print head nozzles. Do not touch the insides of the suction caps. The part maybe deformed, and it may no longer be possible to perform capping correctly.

### 8 Anti-drying caps

Except during printing, these caps cover the print head nozzles to prevent them drying out. Cleaning may be required depending on the status.

☞ [“Cleaning the Caps” on page 81](#)

### 9 Wiper

The wiper removes ink from the print head nozzles. It is a consumable; cleaning or replacement may be required depending on the status.

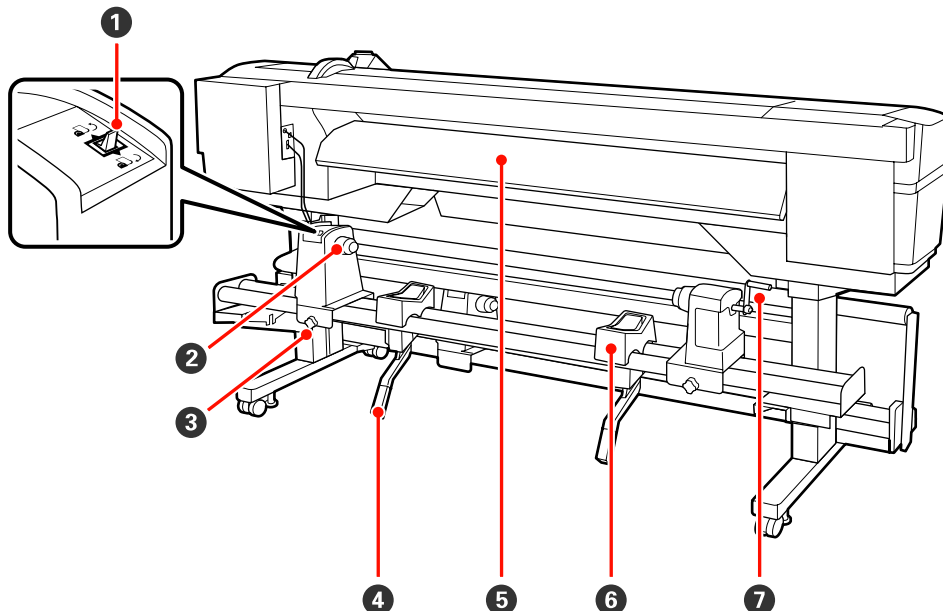
☞ [“Cleaning Wiper and Attachment Point” on page 80](#)

☞ [“Replacing the Wiper Cleaners and Wipers” on page 93](#)

---

## Back

The illustration shows the display for the SC-F7000 Series.



### 1 Drive switch

The drive switch is used to feed the media during loading and to rewind the media for replacement.

### 2 Roll holder

Place media on these holders. There are two supports: one on the left and one on the right.

## Introduction

### ③ Roll holder fixing screw

These screws fix the roll holders in place once the media has been installed. There are two supports: one on the left and one on the right.

### ④ Lift lever

If the media to be mounted on the roll holders seems heavy, use these levers to raise the media effortlessly to the level of the roll holders. There are two supports: one on the left and one on the right.

### ⑤ Loading guide

Media is loaded along this guide.

### ⑥ Roll support

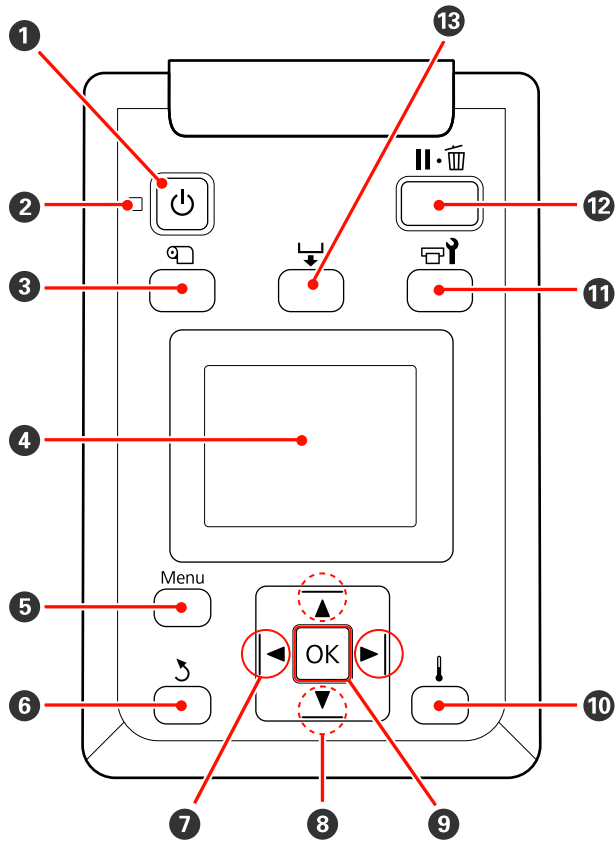
Rest media on these supports before placing it on the roll holders. There are two supports: one on the left and one on the right.

### ⑦ Handle

After placing media on the right roll holder, rotate the handle to press the holder and apply pressure to the roll core.

Introduction

**Control Panel**



- 1** **button (power button)**  
Turns the power on and off.
  
- 2** **light (power light)**  
The printer's operational status is indicated by a lit or flashing light  
  
On : The power is on.  
  
Flash : The printer is receiving data or performing head cleaning or other operations during shut-down.  
  
Off : The power is off.
  
- 3** **button (media setup button)**  
Press this button to display the Media Setup menu, which contains such items as **Media Remaining**, **Select Media**, **Customize Settings**, and **Print Media List**. This button is disabled during printing.

[“The Media Setup Menu” on page 109](#)

- 4** **Display**  
Displays the printer's status, menus, error messages, and so on. [“Understanding the Display” on page 20](#)
  
- 5** **Menu button**  
Press this button to display menus. [“Using the Control Panel Menu” on page 103](#)
  
- 6** **Back button (back button)**  
Press this button to exit to the previous menu when options are displayed. [“Menu Operations” on page 103](#)
  
- 7** **Left/Right arrow buttons (left and right arrow buttons)**  
Use to position the cursor when performing such tasks as entering a **Setting Name** or **IP Address** in the setup menu.
  
- 8** **Up/Down arrow buttons (media feed buttons)**
  - When media is loaded, you can press the button to feed the media and the button to rewind. Keep the button pressed to feed the media up to 103 cm. Keep the button pressed to rewind the media up to 25 cm.  
Note that when the button is used to rewind, the media will stop when its edge reaches the starting print position. Rewind can be resumed by releasing the button and then pressing it again.
  - When the menus are displayed, these buttons can be used to select menu items and options. [“Menu Operations” on page 103](#)
  
- 9** **OK button**
  - When the menus are displayed, these buttons can be used to select menu items and options.
  - Pressing this button when an option is highlighted selects the highlighted item or performs the selected operation.
  - If pressed when the warning buzzer is sounding, the sound stops.
  
- 10** **button**

Introduction

**For the SC-F7200/SC-F7100 Series**

Pressing this button displays the Heating & Drying menu, where you can adjust the **Heater Temperature**.

[“The Media Setup Menu” on page 109](#)

**SC-F7000 Series**


Pressing this button when menus are displayed closes the menus and returns the printer to ready status.

**11  button (maintenance button)**

Pressing this button displays the Maintenance menu, which contains such items as **Nozzle Check**, **Cleaning**, **Head Maintenance**, and **Waste Ink Counter**. This button is disabled during printing.

[“The Maintenance Menu” on page 118](#)

**12  button (pause/cancel button)**

The printer enters pause status if this is pressed while printing. To release the pause status, press the  button again, or select **Pause Cancel** on the screen and then press the OK button. To cancel print jobs being processed, select **Job Cancel** on the screen and then press the OK button.

Pressing this button when menus are displayed closes the menus and returns the printer to ready status.

**13  button (media feed button)**

When the printer is in the ready state, you can feed the media to the cut position by pressing this button and then OK.

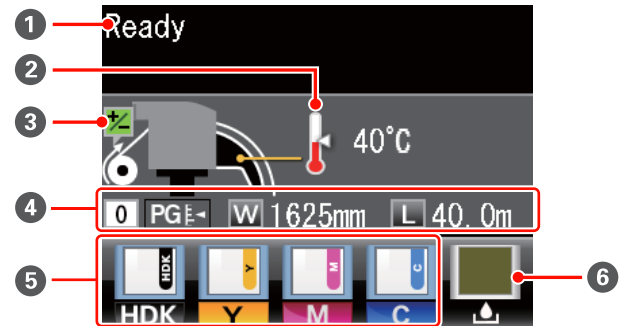
[“Cutting Media” on page 44](#)

When printing is in progress, you can use this button to adjust media feed.

[“Feed Adjustment” on page 69](#)

**Understanding the Display**

The illustration shows the display for the SC-F7200 Series.



**1 Messages**


Displays the printer's status, operation, and error messages.


[“When a Message is Displayed” on page 121](#)

**2 Heater temperature**

Displayed for the SC-F7200 and SC-F7100 Series.

This display shows the temperature settings for the after heater. The thermometer icons give a rough indication of the current temperatures of the heaters.

 : The heater has reached the selected temperature.

 : The heater has not reached the selected temperature.

**3 Feed adjustment information during printing**

Displayed when an adjustment value has been entered during printing.

## Introduction

### 4 Media info

- ❑ From left to right, this display shows the selected media, platen gap, media width, and media remaining.
- ❑ If a media setting bank number created with this printer is selected as the print media, the number (from 1 to 30) will be displayed. When **RIP Settings** is selected, 0 will be displayed.

- ❑ The selected platen gap is shown as follows.

 : 1.5

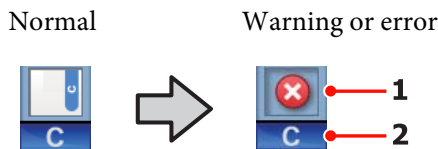
 : 2.0

 : 2.5

- ❑ The media remaining is not displayed if **Off** is selected for **Remaining Setup** in the **Media Remaining** menu.  
[📖 "The Media Setup Menu" on page 109](#)


### 5 Chip unit status


The display changes as shown below when an error is detected in the installed chip unit.





### 1 Status indicators


The chip unit status is indicated as follows.


 : No error. Ready to print.

 : An error occurred. Check the message on the screen, and clear the error.

 : The chip unit could not be recognized or it is not compatible with the printer.  
 Or, the slider is not locked.

Check the on-screen message.

 : Check the ink level in the ink tank, and then replace the chip unit and refill the ink correctly.

As it gets closer to time to replace the chip unit,  will begin to flash.

[📖 "Chip Unit Replacement and Ink Refills" on page 85](#)

### 2 Ink color codes

HDK\* : High Density Black

BK\* : Black

Y : Yellow

M : Magenta

C : Cyan

\* Either is displayed depending on the usage environment.

### 6 Waste Ink Bottle status

Displays the approximate amount of space available in the Waste Ink Bottle. The display changes as shown below when the waste ink bottle is nearly full or an error occurs.



## Introduction

### 1 Status indicators

The status of the Waste Ink Bottle is shown as follows.



: No error. The indicator changes to show the amount of space available.



: The Waste Ink Bottle is almost full. Ready a new Waste Ink Bottle.



: The Waste Ink Bottle is full. Replace with a new Waste Ink Bottle.

## Features

This wide-format color ink jet printer supports roll media 1626 mm (64 inches) in width. The main features of this printer are described below.

---

### Realizing High Productivity

#### Improving drying characteristics

The SC-F7200 and SC-F7100 Series are equipped with an after heater that can be used to rapidly dry ink after printing.

#### Media Feeding Unit Accommodates High-Capacity Rolls

The Media Feeding Unit can handle high-capacity rolls with external diameters of up to 250 mm and weights of up to 40 kg, ensuring that media require less frequent replacement.

#### Auto Take-up Reel Unit Comes Standard

The auto take-up reel unit automatically takes up printed media cleanly, with no wrinkles. This is useful when printing large amounts or when performing continuous overnight printing. The SC-F7200 and SC-F7100 Series achieves the high-precision take-up necessary to support continuous-type sublimation transfer printers.

#### High-capacity ink tank included

The printer includes a high-capacity ink tank for high productivity. We also offer 1000 ml high-capacity ink packs for ink refill. This eliminates the need for frequent troublesome ink cartridge replacements.

---

### Superior Ease of Use

#### Media Installation and Take up a Snap

The roll and roll core holders require no spindles, eliminating the need to attach spindles before installing media. Just bring the media to the printer and install it directly. Never having to juggle long spindles makes installing media a snap even where space is limited.

In addition to roll supports that give you a place to rest media during installation, the printer offers lift levers that allow heavy media to be effortlessly raised to the level of the roll holders.

## Introduction

### Ease of Maintenance

Print quality can only be ensured through daily maintenance. The design of this printer leaves plenty of space for maintenance, making maintenance a snap.

### E-Mail Error/Warning Notification

The EpsonNet Config with Web Browser system built into the printer's network interface offers e-mail notification. Once configured for e-mail notification, the printer will send errors and warnings to selected e-mail addresses. This ensures peace of mind when the printer is left unmanned during overnight operation and in other similar situations.

Starting EpsonNet Config (with Web Browser) [🔗](#)  
*Network Guide (pdf)*

### Lamp and Buzzer Error Alerts

When an error occurs, a buzzer will sound and the alert lamp will light. The large alert lamp is highly visible, even at a distance.

A buzzer sounds simultaneously to prevent time wasted while stoppages due to errors go unnoticed.

### High-Speed USB/Gigabit Ethernet

The printer comes equipped with high-speed USB and 100Base-TX/1000Base-T network interfaces.

## High Print Quality

### Providing newly developed Black ink

The development of High Density Black ink has improved the density of black color when compared to Black ink, providing a richer, deeper black color. In addition, the color gamut has been widened, thereby realizing vivid colors to create a bold contrast.

Select High Density Black or Black as the Black ink type when you buy the printer. When changing the type of Black ink being used, the ink tank should only be changed by a service engineer. Changing the type of Black ink is provided for a fee.

Contact your dealer or Epson Support.

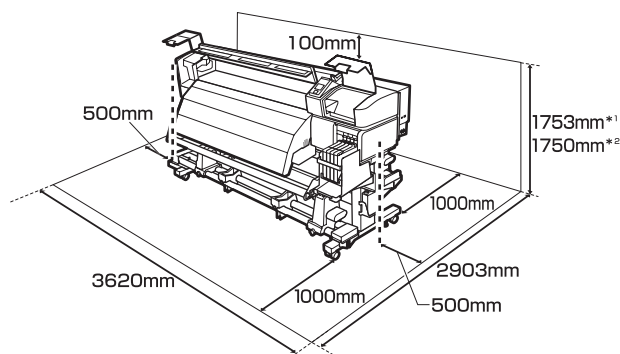
## Notes on Usage and Storage

### Installation Space

Make sure that you secure the following space, clear of any other objects, so that paper ejection and consumable replacement are not obstructed.

See the "Specifications Table" for the external dimensions of the printer.

[🔗](#) "Specifications Table" on page 164



\*1 When using the SC-F7200 Series

\*2 When using the SC-F7100/SC-F7000 Series

## Notes When Using the Printer

Note the following points when using this printer to avoid breakdowns, malfunctions, and print quality decline.

- ❑ When using the printer, observe the operating temperature and humidity range described in the "Specifications Table". [🔗](#) "Specifications Table" on page 164

Note, however, that the desired results may not be achieved if the temperature and humidity are within the limits for the printer but not within those for the media. Be sure the operating conditions suit the media. For more information, see the documentation supplied with the media.

Also, when operating in dry areas, air conditioned environment, or under direct sunlight, maintain the appropriate humidity.

## Introduction

- ❑ Make sure the work space is kept clean. If dust or lint enter into the printer, it could damage the printer or clog the print head nozzles.
- ❑ Avoid using the printer in locations with heat sources or that are exposed to direct draughts from ventilators or air conditioners. The print head nozzles could dry out and clog.
- ❑ Use the printer in a location that is sufficiently ventilated.
- ❑ Do not bend or tug the waste ink tube. Ink could spill inside or around the printer.
- ❑ Maintenance such as cleaning and replacement must be performed according to usage frequency or at recommended intervals. Failure to perform regular maintenance could cause print quality to decline. In the absence of the appropriate maintenance, continued use could damage the print head.

 [“When to Perform Various Maintenance Operations” on page 74](#)

- ❑ The print head may not be capped (the print head may not return to the right side) if the printer is turned off when the media is jammed or an error has occurred. Capping is a function for automatically covering the print head with a cap (lid) to prevent the print head from drying out. In this case, turn on the power and wait a while until capping is performed automatically.
- ❑ When the power is on, do not remove the power plug or cut the power at the breaker. The print head may not be capped properly. In this case, turn on the power and wait a while until capping is performed automatically.
- ❑ The print head is automatically cleaned at a fixed interval after printing to keep the nozzle from clogging.

Be sure that the Waste Ink Bottle is placed whenever the printer is on.

 [“Printer Setup Menu” on page 115](#)

- ❑ As well as being expended during printing, ink is used during head cleaning and other maintenance required to keep the print head in working order.

- ❑ To ensure your printouts have a stable coloring, maintain a constant room temperature of 15 to 25°C.

---

## Notes When Not Using the Printer

If you are not using it, note the following points when storing the printer. If it is not stored correctly, you may not be able to print properly the next time it is used.

- ❑ If you do not print for a long time, the print head nozzles may become clogged. Turn the printer on at least once every two weeks to prevent the print head clogging.

When the printer is turned on, head cleaning is performed automatically. Do not turn the printer off until cleaning is complete.

Leaving the printer for too long without turning it on may result in a malfunction. In such a case, the repair work will also be charged.

- ❑ If you will not be using the printer for more than 2 weeks, maintenance must be performed by a service engineer before and after this period. This maintenance work will be charged.

Note that even if proper maintenance has been done before leaving the printer for a long time, repair may be necessary when doing maintenance for reusing the printer, depending on the period and conditions of storage. In such a case, the repair work will also be charged.

Contact your dealer or Epson Support.

- ❑ The pressure rollers may crease media left in the printer. The media may also become wavy or curled, causing jams or resulting in the media coming into contact with the print head. Remove the media before putting the printer in storage.
- ❑ Store the printer after confirming that the print head has been capped (the print head is positioned at the far right). If the print head is left uncapped for a long time, the print quality may decline.

**Note:**

*If the print head is not capped, turn the printer on, and then turn it off.*



## Introduction

- ❑ Close all covers before placing the printer in storage. If you are not using the printer for a long time, put an anti-static cloth or cover on the printer to prevent dust. The print head nozzles are very small, and they can become clogged easily if fine dust gets on the print head, and you may not be able to print properly.

- ❑ If you have not used the printer for a long time, check the print head for clogging before you start printing. Perform head cleaning if the print head is clogged.

 [“Checking for Clogged Nozzles” on page 99](#)

- ❑ When storing the printer, be sure that it is level: do not store it on an angle, on end, or upside down.

---

## Notes on Handling Ink Packs and Ink Tanks

Note the following points when handling ink packs and ink tanks.

- ❑ Do not remove the ink tanks.

Ink tanks are calibrated when installed. Removing them can harm quality and functionality.

- ❑ Store ink packs at room temperature out of direct sunlight.
- ❑ To ensure print quality, use all the ink in the ink pack before the earlier of the following dates:
  - ❑ The date printed on the ink pack
  - ❑ 25 days from the day that the ink tank was refilled from the ink pack
- ❑ If the ink pack has been stored in a cold location for a long period of time, keep at room temperature for at least 4 hours before using.
- ❑ When refilling the ink in an ink tank, be sure to use all the ink in the ink pack at once.
- ❑ Refill the ink tank as soon as possible after opening the ink pack.

- ❑ Do not place items on the ink tank or subject the ink tank to strong impacts. The ink tank could be detached.

If the ink tank comes off, contact your dealer or Epson Support.

- ❑ Do not use if the High Density Black and Black inks are mixed. When changing the type of Black ink being used, the ink tank should only be changed by a service engineer. Changing the type of Black ink is provided for a fee.

Contact your dealer or Epson Support.

---

## Handling Media

Note the following when handling or storing media. Media that are in poor condition will not produce good quality prints.

Be sure to read the documentation provided with each type of media.

## Notes on Handling

- ❑ Do not fold the media or damage the printable surface.
- ❑ Do not touch the printable surface. Moisture and oils from your hands can affect print quality.
- ❑ When handling media, hold it by both edges. We recommend wearing cotton gloves.
- ❑ Keep the media dry.
- ❑ Packaging materials can be used to store media and should not be thrown away.
- ❑ Avoid locations that are subject to direct sunlight, excessive heat, or humidity.
- ❑ When not in use, media should be removed from the printer, rewound, and inserted in its original packaging for storage. Leaving media in the printer for extended periods may cause it to deteriorate.

## Handling Media After Printing

To maintain long lasting, high quality print results, note the following points.

## Introduction

- ❑ Do not rub or scratch the printed surface. If they are rubbed or scratched, the ink may peel off.
- ❑ Do not touch the printed surface, as this may remove the ink.
- ❑ Make sure printouts are completely dry before folding or stacking. If the printouts are stacked or taken up without being dried sufficiently, the print surface may be damaged.
- ❑ Avoid direct sunlight.
- ❑ To prevent discoloration, display and store prints as instructed in the documentation supplied with the media.

## Introduction

# Using the Supplied Software

## Contents of the Software Disc

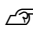
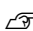
The following applications are available on the supplied software disk. Install as required.

For information about these applications, see the *Network Guide* (pdf) or the on-line help for the application in question.

**Note:**



- ❑ *The supplied disc does not contain printer drivers. A software RIP is required for printing. Software not on the supplied software disc (including software RIPs for this printer) is available from the Epson website.*
- ❑ *The latest applications can be downloaded from the Epson website.*

### For Windows

Software Name	Summary
EPSON LFP Remote Panel 2*	<p>EPSON LFP Remote Panel 2 is used to update firmware from a computer and copy media settings bank created in the printer's setup menu to a computer.</p> <p>The latest applications can be downloaded from the Epson website.</p> <p> <a href="#">"Starting EPSON LFP Remote Panel 2" on page 28</a></p> <p> <a href="#">"Exiting EPSON LFP Remote Panel 2" on page 29</a></p>
Epson Driver and Utilities	<p>Epson communications drivers (the EPSON SC-F7200 Series Comm Driver, EPSON SC-F7100 Series Comm Driver, or EPSON SC-F7000 Series Comm Driver) are installed.</p> <p>The Epson communications driver is required to copy media settings using EPSON LFP Remote Panel 2. It is not a printer driver. In addition, the software RIP may not display printer status if the Epson communications driver is not installed when the printer is connected to a computer via USB. See the software RIP documentation for more information on the status display.</p>
Epson Network Utilities	Install and launch a wizard that will help you enter IP addresses for a simple network connection.
EpsonNet Config	With this software, you can configure various network settings for the printer from your computer. This is useful as it allows you to enter addresses and names using the keyboard.

\* Only for the SC-F7100 and SC-F7000 Series.

### For Mac

Software Name	Summary
EPSON LFP Remote Panel 2*	<p>EPSON LFP Remote Panel 2 is used to update firmware from a computer and copy media settings bank created in the printer's setup menu to a computer.</p> <p>The latest applications can be downloaded from the Epson website.</p> <p> <a href="#">"Starting EPSON LFP Remote Panel 2" on page 28</a></p> <p> <a href="#">"Exiting EPSON LFP Remote Panel 2" on page 29</a></p>
Epson Network Utilities	Install and launch a wizard that will help you enter IP addresses for a simple network connection.
EpsonNet Config	With this software, you can configure various network settings for the printer from your computer. This is useful as it allows you to enter addresses and names using the keyboard.

\* Only for the SC-F7100 and SC-F7000 Series.

## Introduction

## Uninstalling Software

### ! Important:

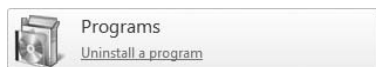
- ❑ Log in to an "Computer administrator" account (an account with Administrators group).
- ❑ Enter the administrator password when prompted and then proceed with the remainder of the operation.
- ❑ Exit any other applications that may be running.

### Windows

This section describes how to uninstall EPSON LFP Remote Panel 2 and the Epson communications driver using them as an example.

**1** Turn off the printer, and unplug the interface cable.

**2** Go to the **Control Panel** and click **Uninstall a program** from the **Programs** category.



**3** Select the software you want to remove and then click **Uninstall/Change** (or **Change/Remove**).

Select uninstall printer for **EPSON SC-F7200 Series Comm Driver/EPSON SC-F7100 Series Comm Driver/EPSON SC-F7000 Series Comm Driver** to uninstall Epson communication drivers.

To uninstall EPSON LFP Remote Panel 2, select **EPSON LFP Remote Panel 2**.

**4** Select the target printer icon, and then click **OK**.

**5** Follow the on-screen instructions to continue.

When the delete confirmation message appears, click **Yes**.

If you are reinstalling the Epson communications driver, restart the computer.

### Mac OS X

The following describes how to remove the EPSON LFP Remote Panel 2.

**1** Quit EPSON LFP Remote Panel 2.

**2** Select **Applications - EPSON LFP Remote Panel 2**, and drag and drop the entire folder into **Trash** to delete.

Use the Uninstaller to uninstall other software. Uninstall the affected applications before performing a reinstall or update.

### Download

The Uninstaller can be downloaded from the Epson website.

URL: <http://www.epson.com>

### Uninstall

Follow the instructions provided on the Uninstaller download site.

## Using EPSON LFP Remote Panel 2

EPSON LFP Remote Panel 2 is used to update firmware from a computer and copy media settings bank created in the printer's setup menu to a computer.

You can download it at your local Epson Web site.

<http://www.epson.com/>

## Starting EPSON LFP Remote Panel 2

Launch EPSON LFP Remote Panel 2 after confirming that the printer displays **Ready**.

### Windows

**1** The application can be launched using either of the following two methods.

- ❑ Double-click the **EPSON LFP Remote Panel 2** icon on the desktop. The **EPSON LFP Remote Panel 2** icon is created when this application is installed.
- ❑ Click **Start > All Programs** (or **Programs**) > **EPSON LFP Remote Panel 2 > EPSON LFP Remote Panel 2**.

## Introduction

- 2 Click the desired item in the main window of EPSON LFP Remote Panel 2.

For details, see the EPSON LFP Remote Panel 2 help.

### Mac OS X

Double-click **Applications > Epson Software > EPSON LFP Remote Panel 2 > EPSON LFP Remote Panel 2** to open the EPSON LFP Remote Panel 2 main window.

---

## Exiting EPSON LFP Remote Panel 2

Click **Finish** in the EPSON LFP Remote Panel 2 main window.

## Basic Operations

# Basic Operations

## Loading and Exchanging Media

The loading method depends on your printer. Choose the method suited to your printer.

### When using the SC-F7200/SC-F7100 Series

See the following section.

### When using the SC-F7000 Series

 [“Loading Media \(SC-F7000 Series\)” on page 37](#)

## Notes on Loading Media

Whenever you attempt to load the media, check the following cautions beforehand.

For information on the media that can be used in the printer, see:

 [“Supported Media” on page 132](#)

### **Caution:**

- The heaters and media holding plate may be hot; observe all necessary precautions. Failure to observe the necessary precautions could result in burns.
- Be careful not to trap your hands or fingers when opening or closing the front cover. Failure to observe this precaution could result in injury.
- Do not rub your hands along the edges of the media. The edges of the media are sharp and can cause injury.
- Because the media is heavy, it should not be carried by one person.

### Load the media just before printing

The pressure rollers may crease media left in the printer. The media may also become wavy or curled, causing jams or resulting in the media coming into contact with the print head.

### Observe the following points when handling media

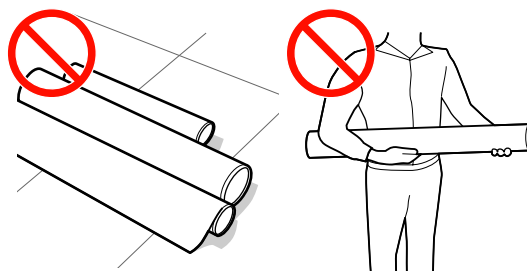
If the following points are not observed when handling media, small amounts of dust and lint may stick to the media surface and cause ink drops in the print results.

- Do not place exposed media directly on the floor.

Media should be rewound and inserted in its original packaging for storage.

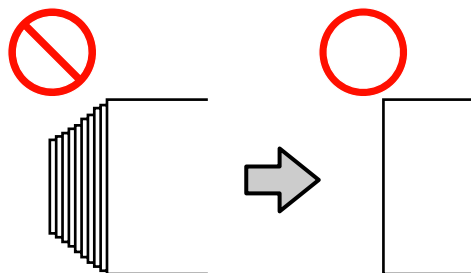
- Do not carry media with the media surface pressed against clothing.

Handle media in its individual packaging until just before loading the media in the printer.



### Do not set media if its right and left edges are uneven

If media is loaded and the right and left edges of the roll are uneven, media feeding problems may cause the media to move around during printing. Either rewind to align the edges or use a roll without any issues.




### Note:

For information on the media that can be used in the printer, see:

 [“Supported Media” on page 132](#)

## Loading Media (SC-F7200/SC-F7100 Series)

This section describes the methods to load media.

- 1** Press the  button, and then wait until **Load media** is displayed on the screen.

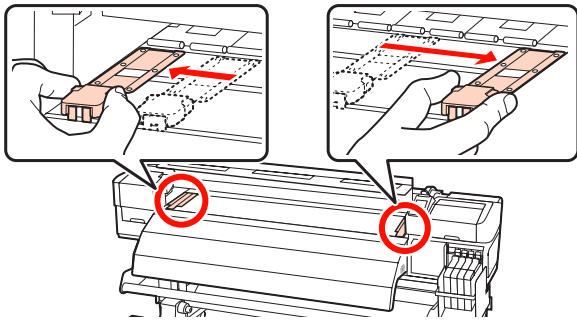
**Basic Operations**

- 2** Open the front cover, and move the media holding plates out of the way.

**! Important:**  
 If the media holding plates are not moved out of the way, media insertion may fail or damage may occur to the edge of the media.

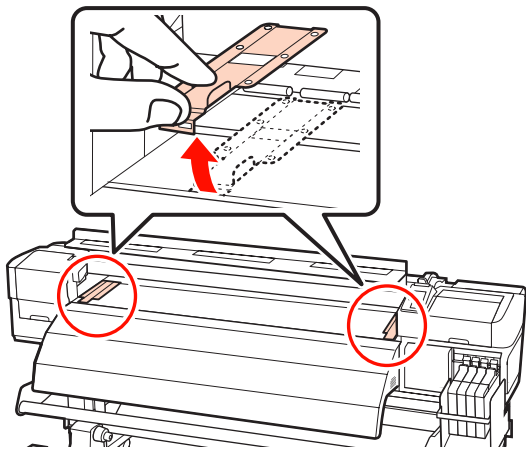
**Sliding media holding plates**

Move the media holding plates to the right and left sides of the platen. Hold both tabs on the media holding plates to move them.



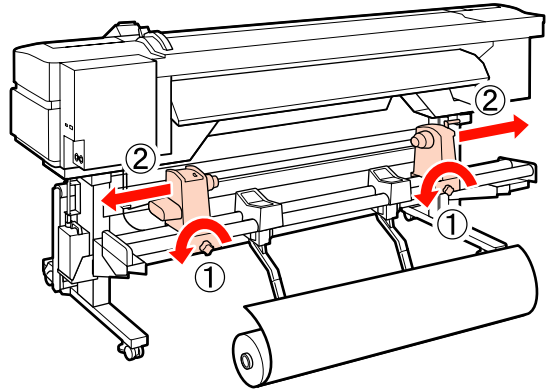
**Insertable media holding plates**

Remove the media holding plates from both edges of the media.

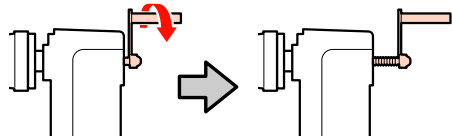


- 3** Loosen the roll holder fixing screws sufficiently and adjust the roll holders so that the distance between the two is wider than the media.

Center the roll supports between the roll holders.

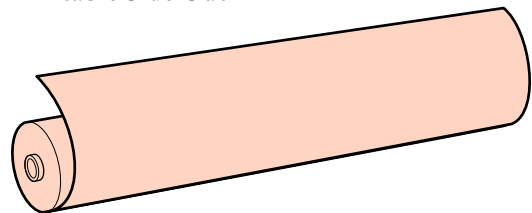


**! Important:**  
 If the right holder handle shaft is not visible, rotate the handle as shown in the illustration below until it stops. The media cannot be properly loaded if the handle shaft is not visible.



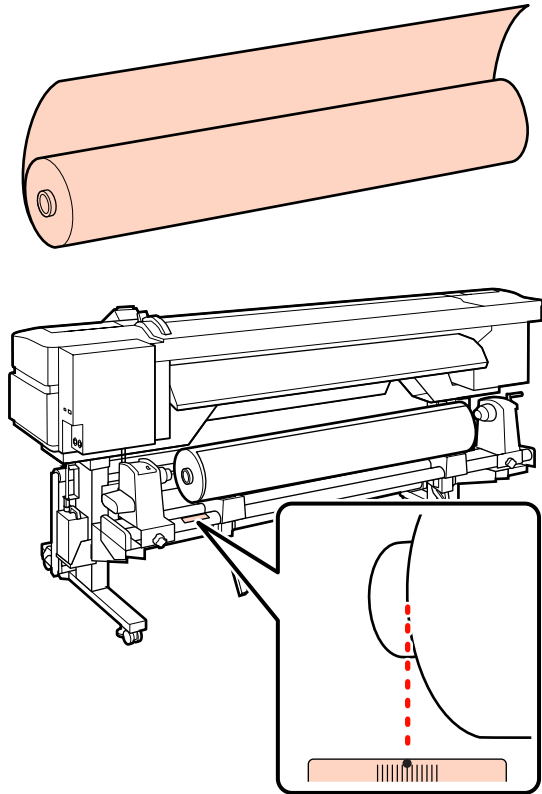
- 4** Temporarily place media on the roll supports oriented according to how it is rolled (see below). At this point, align the left edge of the media with the position on the label.

**Printable Side Out**




**Basic Operations**

**Printable Side In**

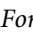


If the label does not have the loading position, mark it on the label as instructed in the *Setup Guide*.

 *Setup Guide*

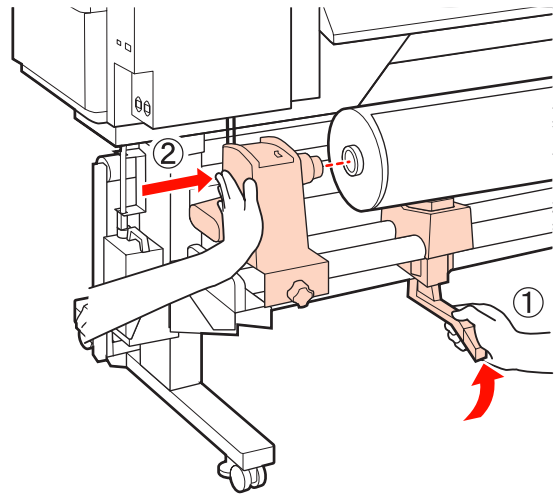
**Note:**

Be sure the option selected for **Roll Type** in the **Customize Settings** menu matches how the media is rolled. **Roll Type** defaults to **Printable Side Out**. Be sure to select **Printable Side In** after loading media rolled printable side in.

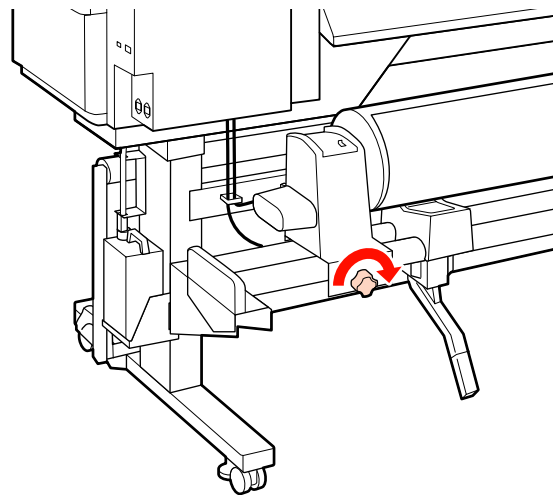
For more information see  [“Roll Type” on page 65](#)

- 5** Raise the lift lever on the left side of the printer to lift the media into position, then firmly insert the roll holder.

If the roll of media has an outer diameter which is less than 140 mm, lift it up by your hands, and set it to the roll holder. The roll core will not reach the holder when raised using the lift lever.



- 6** Tighten the roll holder fixing screw until the screw no longer turns to fix the roll holder in place.

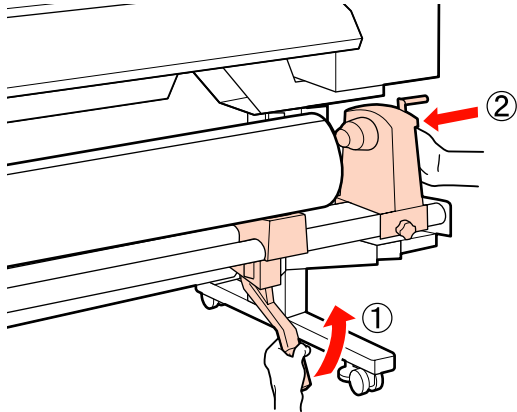




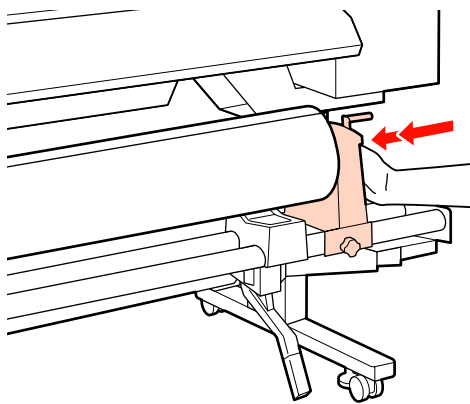
**Basic Operations**

- 7** Raise the lift lever on the right side of the printer to lift the media into position, then firmly insert the roll holder.

If the roll of media has an outer diameter which is less than 140 mm, lift it up by your hands, and set it to the roll holder as described in Step 5.

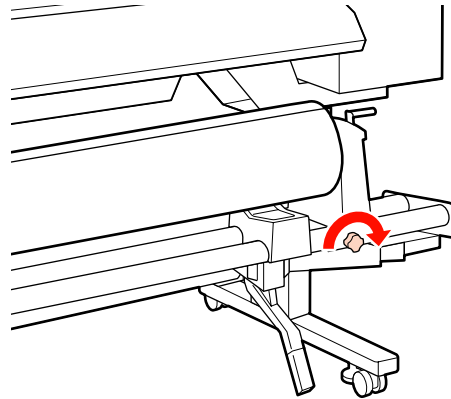


- 8** To ensure the roll holder is inserted into the roll core sufficiently, push the center section on the side of the roll holder towards the roll end twice.



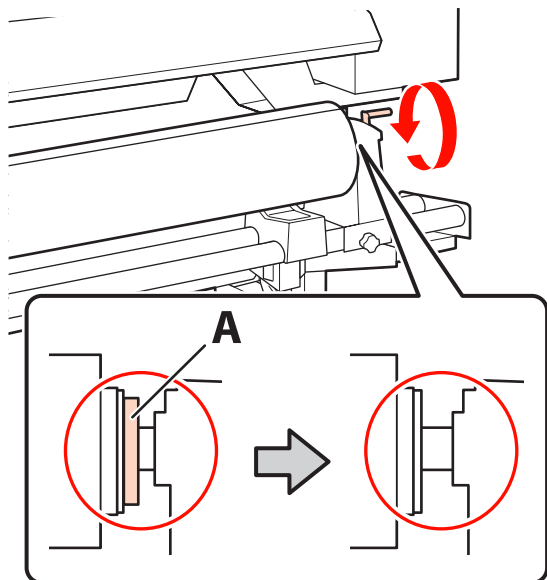
**! Important:**  
 If the roll holder is inserted into the roll core insufficiently, media is not fed correctly during printing because of slippage between the roll holder and roll core.  
 This may cause banding in the print results.

- 9** Tighten the roll holder fixing screw until the screw no longer turns to fix the roll holder in place.



**! Important:**  
 If the roll holder fixing screw is loose, the roll holder may move during printing. This could cause stripes and unevenness in the print results.

- 10** Rotate the handle until part A in the illustration below is fully inserted.



**Basic Operations**



**Important:**

Once part A is hidden, do not turn the handle any further. Failure to observe this precaution could damage the roll holder.

If part A is still visible even after the handle has been turned fully, rewind the handle. Loosen the roll holder fixing screw on the right side, and then restart from Step 8.

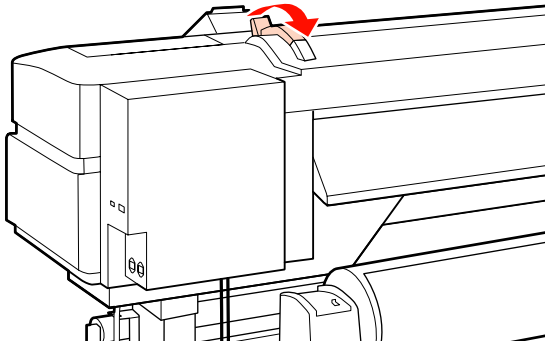
**11**

Confirm that the right and left edges of the attached roll are aligned.

If the right and left edges of the roll are not aligned, realign them.

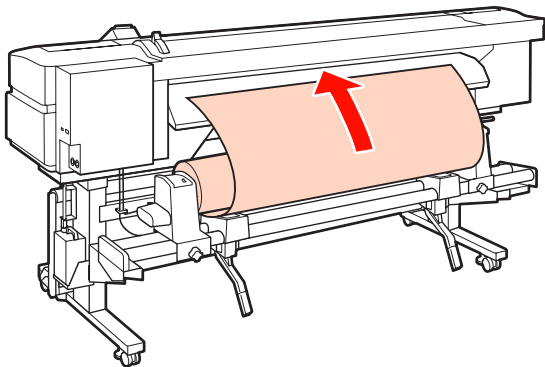
**12**

Raise the media loading lever.



**13**

Pull out the media and insert it into the printer.

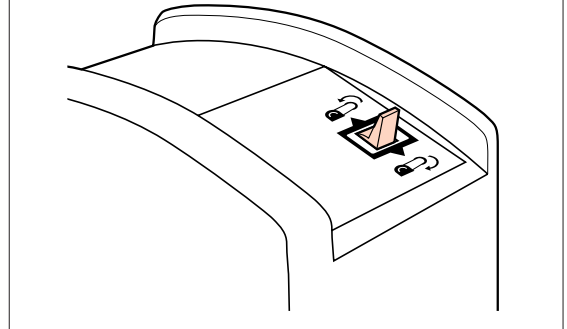


**Note:**

Media that is heavy and difficult to unroll can be fed by pressing the drive switch on the left roll holder.

Printable Side Out

Printable Side In



**14**

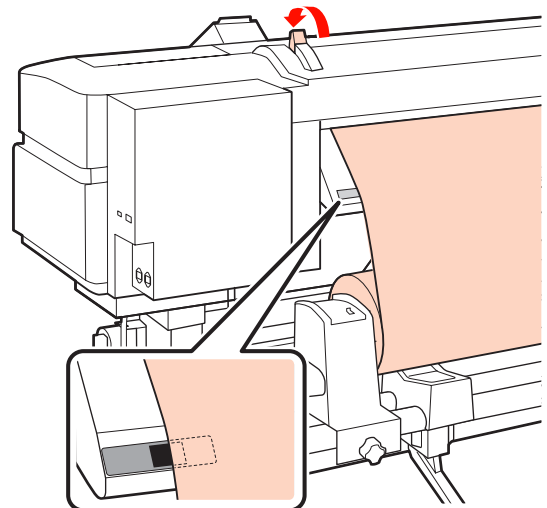
Insert the media past the pressure rollers and lower the media loading lever to hold it in place.

Confirm that the left edge of the media passes over the center of the square in the label on the loading guide.



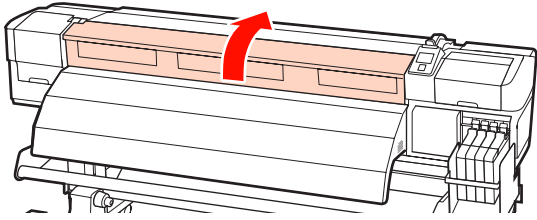
**Important:**

Perform Steps 14 to 4 in reverse order and repeat the loading process if the left edge of the media is not within the guides. Do not attempt to reposition the roll holders while they are inserted in the media.

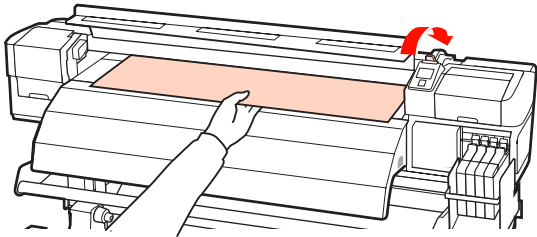


**Basic Operations**

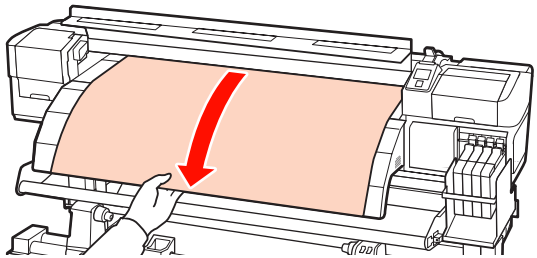
- 15** Go to the front of the printer and open the front cover.



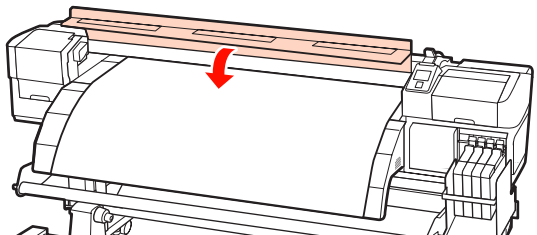
- 16** Hold the center of the media and raise the media loading lever.



- 17** Pull the media straight forward to the leading edge of the after heater.



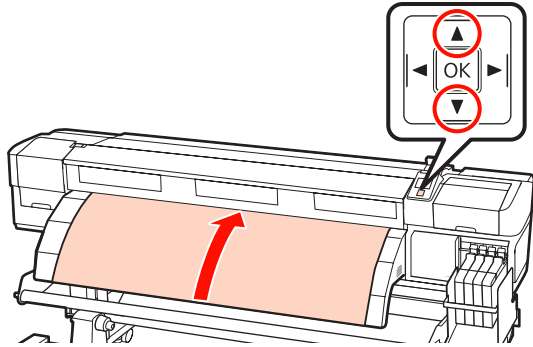
- 18** Close the front cover.



- 19** Rewind the leading edge of the media to the front cover.

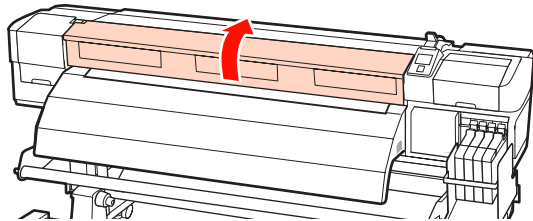
For media with the printable side out, press the ▲ button. For media with the printable side in, press the ▼ button.

Confirm that the media was fed straight with the media straight and taut.

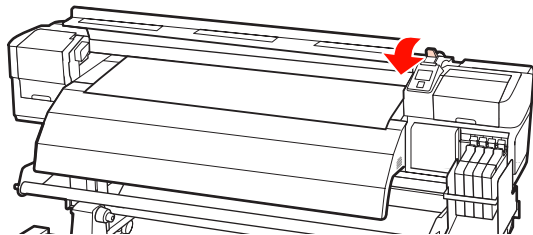


**Note:**  
We recommend using the ▶ button on the control panel to set Media Suction to 2. The media is rewound straight.

- 20** Open the front cover.



- 21** Lower the media loading lever to hold the media in place.

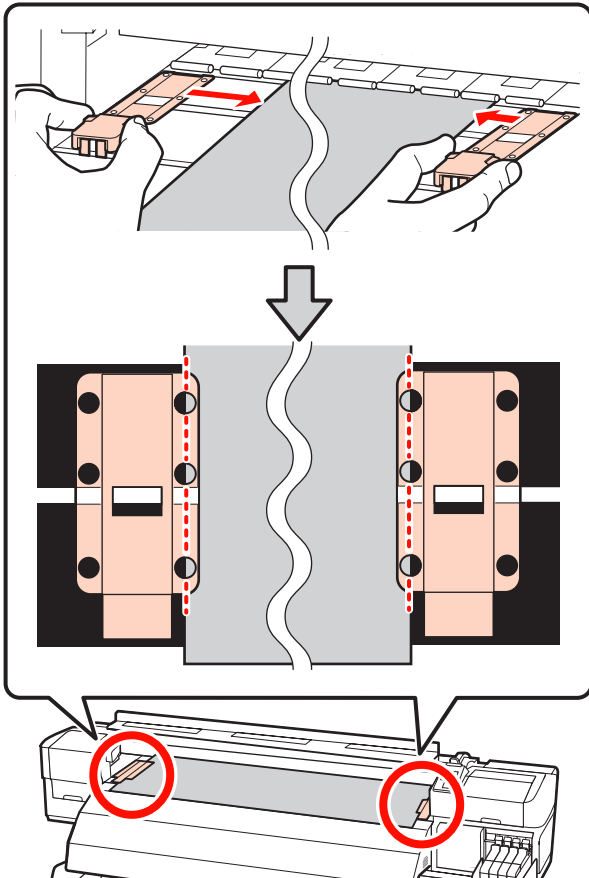


**Basic Operations**

**22** Attach the media rolling plates at either end of the media.

**Sliding media holding plates**

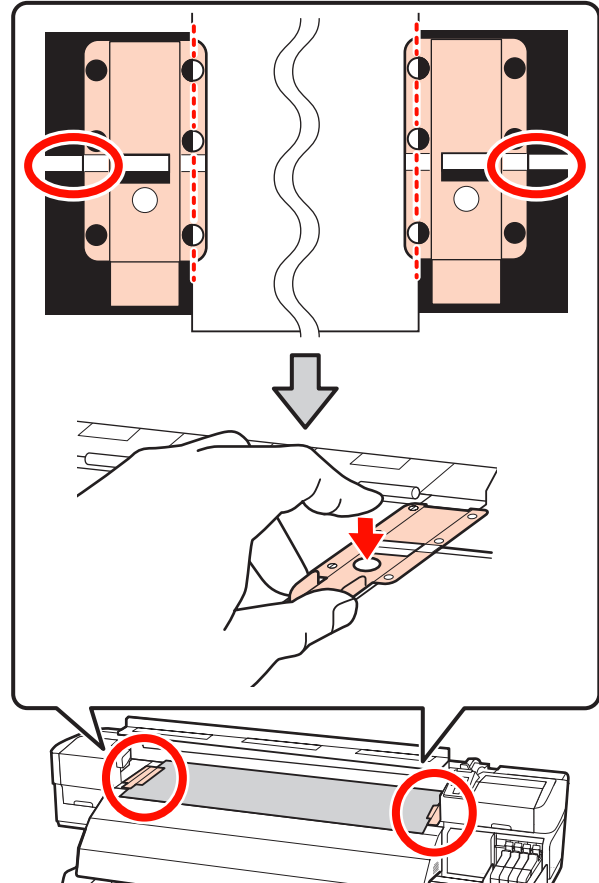
While holding the tabs of the media holding plate on both sides, move the plate to the top edge of the media. Move so that the leading edge of the media is aligned to the center of the round holes in the media holding plates.



**Insertable media holding plates**

Position the media holding plates, while the media is placed over them, in such a way that each edge of the media is aligned to the middle of a row of the round holes in the media holding plates.

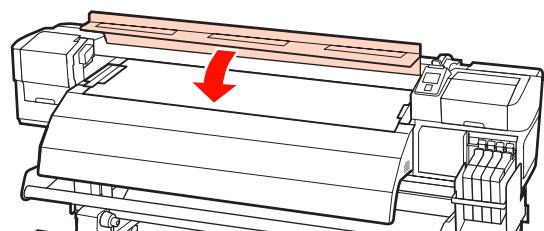
- (1) Align the white lines of the media holding plates with the white lines of the platen.
- (2) To keep the plates from lifting, push them down until you hear a clicking sound.



**! Important:**

- Do not use the media holding plates with media that is more than 0.4 mm thick. The media holding plates could touch and damage the print head.
- Always position the plates so that the edges of the media are at the centers of the round holes. Incorrect positioning causes banding (horizontal banding, tint unevenness, or stripes) during printing.
- Move the media holding plates to the left and right edges of the platen when they are not in use.
- Do not use the media holding plates if the sides of the printed media are smudged or torn.

**23** Close the front cover.



**Basic Operations**

After loading the media, proceed to Viewing and Changing Media Settings.

 [“Viewing and Changing Media Settings” on page 43](#)


**Loading Media (SC-F7000 Series)**

This section describes the methods to load media.



**Caution:**

*Because the media is heavy, it should not be carried by one person. When loading or removing the media, use at least two persons.*

- 1** Press the  button, and then wait until **Load media** is displayed on the screen.
- 2** Open the front cover, and move the media holding plates out of the way.

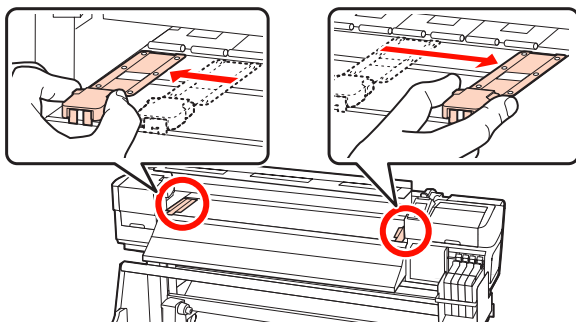


**Important:**

*If the media holding plates are not moved out of the way, media insertion may fail or damage may occur to the edge of the media.*

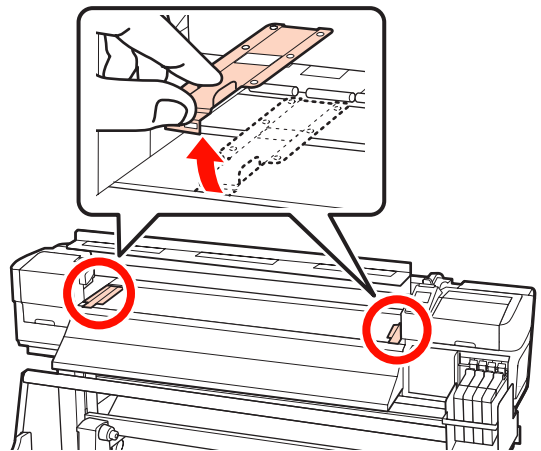
**Sliding media holding plates**

Move the media holding plates to the right and left sides of the platen. Hold both tabs on the media holding plates to move them.



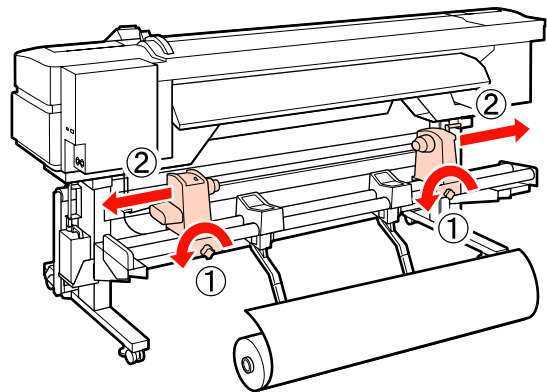
**Insertable media holding plates**

Remove the media holding plates from both edges of the media.



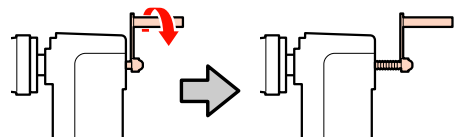
- 3** Loosen the roll holder fixing screws sufficiently and adjust the roll holders so that the distance between the two is wider than the media.

Center the roll supports between the roll holders.



**Important:**

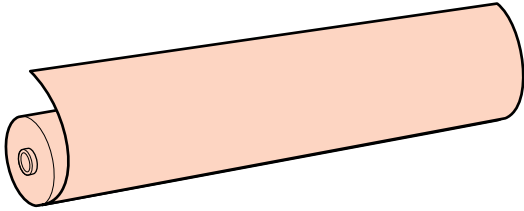
*If the right holder handle shaft is not visible, rotate the handle as shown in the illustration below until it stops. The media cannot be properly loaded if the handle shaft is not visible.*



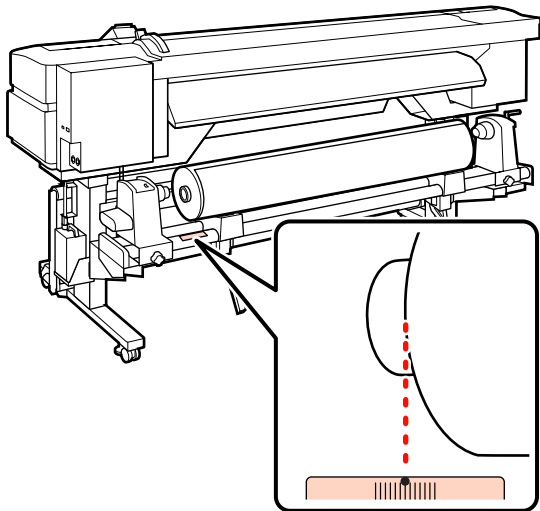
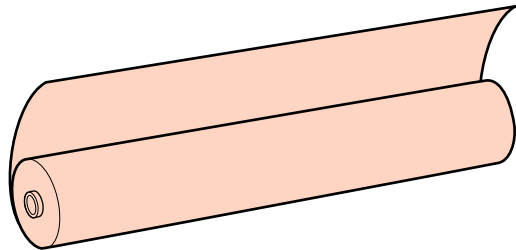
**Basic Operations**

- 4** Temporarily place media on the roll supports oriented according to how it is rolled (see below). At this point, align the left edge of the media with the position on the label.

**Printable Side Out**



**Printable Side In**



If the label does not have the loading position, mark it on the label as instructed in the *Setup Guide*.

*Setup Guide*

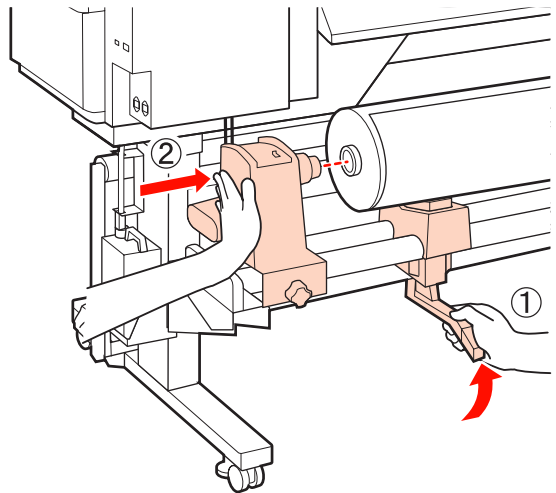
**Note:**

Be sure the option selected for **Roll Type** in the **Customize Settings** menu matches how the media is rolled. **Roll Type** defaults to **Printable Side Out**. Be sure to select **Printable Side In** after loading media rolled printable side in.

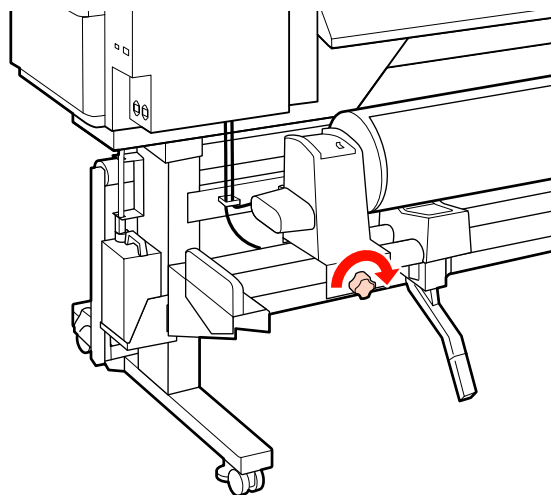
For more information see [“Roll Type” on page 65](#)

- 5** Raise the lift lever on the left side of the printer to lift the media into position, then firmly insert the roll holder.

If the roll of media has an outer diameter which is less than 140 mm, lift it up by your hands, and set it to the roll holder. The roll core will not reach the holder when raised using the lift lever.



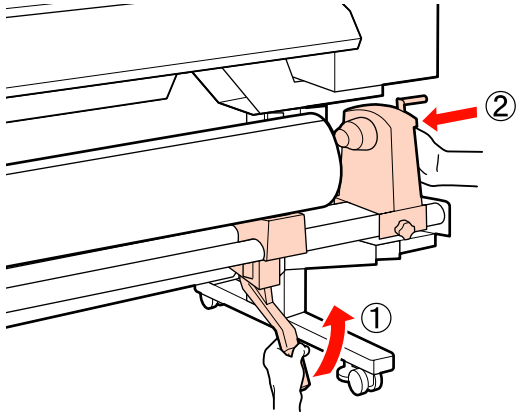
- 6** Tighten the roll holder fixing screw until the screw no longer turns to fix the roll holder in place.



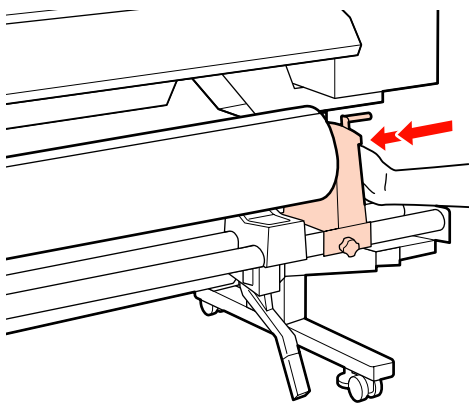
**Basic Operations**

- 7** Raise the lift lever on the right side of the printer to lift the media into position, then firmly insert the roll holder.

If the roll of media has an outer diameter which is less than 140 mm, lift it up by your hands, and set it to the roll holder as described in Step 5.

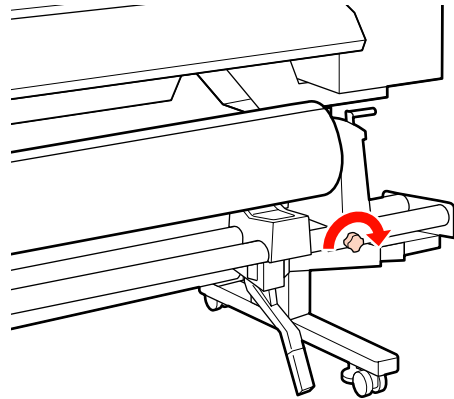


- 8** To ensure the roll holder is inserted into the roll core sufficiently, push the center section on the side of the roll holder towards the roll end twice.



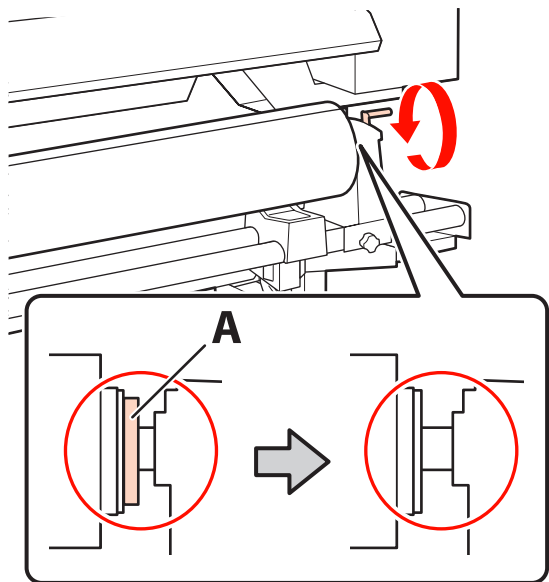
**! Important:**  
 If the roll holder is inserted into the roll core insufficiently, media is not fed correctly during printing because of slippage between the roll holder and roll core.  
 This may cause banding in the print results.

- 9** Tighten the roll holder fixing screw until the screw no longer turns to fix the roll holder in place.



**! Important:**  
 If the roll holder fixing screw is loose, the roll holder may move during printing. This could cause stripes and unevenness in the print results.

- 10** Rotate the handle until part A in the illustration below is fully inserted.





**Basic Operations**



**Important:**

Once part A is hidden, do not turn the handle any further. Failure to observe this precaution could damage the roll holder.

If part A is still visible even after the handle has been turned fully, rewind the handle. Loosen the roll holder fixing screw on the right side, and then restart from Step 8.

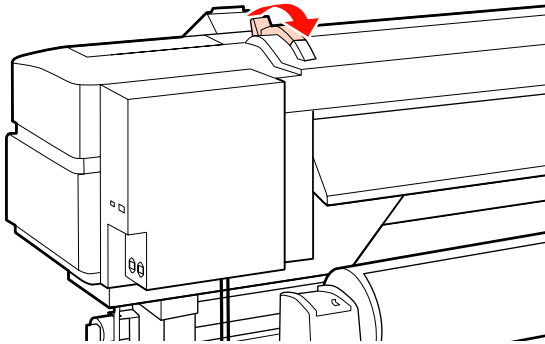
**11**

Confirm that the right and left edges of the attached roll are aligned.

If the right and left edges of the roll are not aligned, realign them.

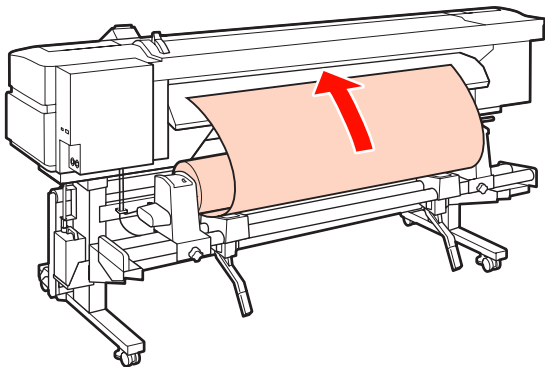
**12**

Raise the media loading lever.



**13**

Pull out the media and insert it into the printer.

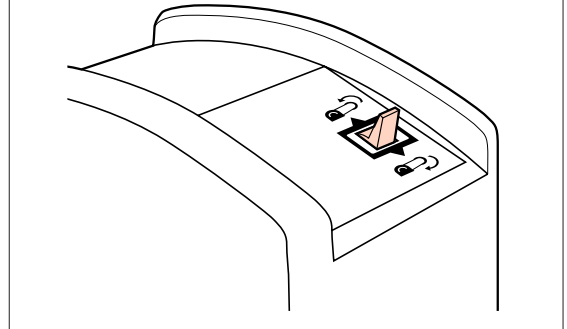


**Note:**

Media that is heavy and difficult to unroll can be fed by pressing the drive switch on the left roll holder.

Printable Side Out

Printable Side In



**14**

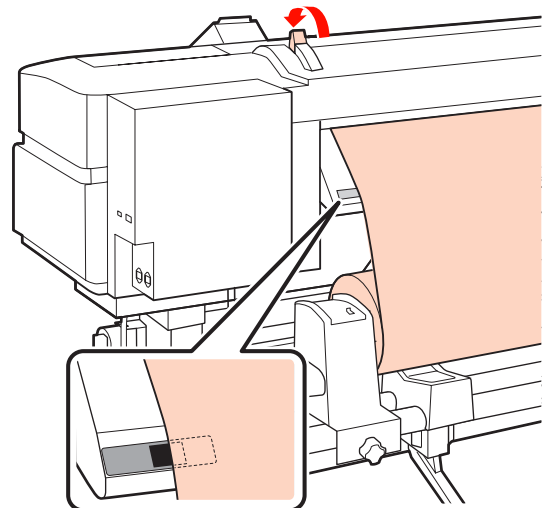
Insert the media past the pressure rollers and lower the media loading lever to hold it in place.

Confirm that the left edge of the media passes over the center of the square in the label on the loading guide.



**Important:**

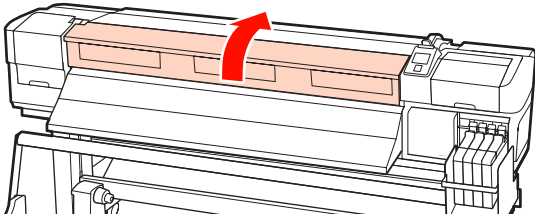
Perform Steps 14 to 4 in reverse order and repeat the loading process if the left edge of the media is not within the guides. Do not attempt to reposition the roll holders while they are inserted in the media.



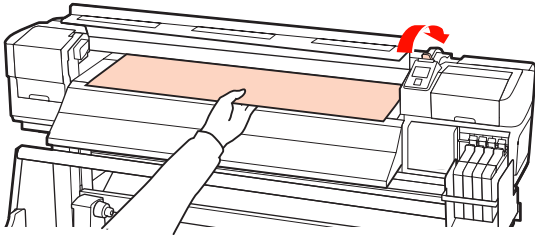


**Basic Operations**

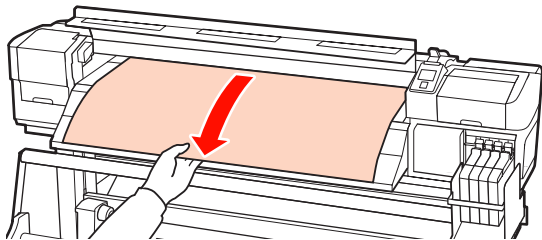
- 15** Go to the front of the printer and open the front cover.



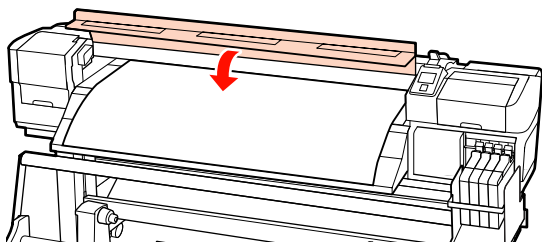
- 16** Hold the center of the media and raise the media loading lever.



- 17** Pull the media straight forward to the leading edge of the eject guide.



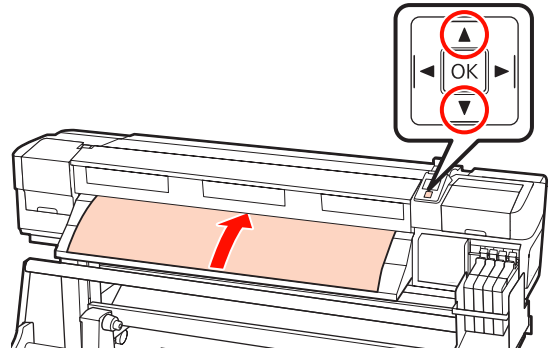
- 18** Close the front cover.



- 19** Rewind the leading edge of the media to the front cover.

For media with the printable side out, press the ▲ button. For media with the printable side in, press the ▼ button.

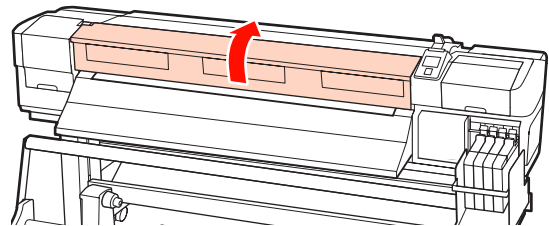
Confirm that the media was fed straight with the media straight and taut.



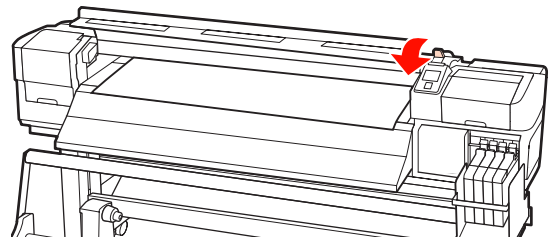
**Note:**

We recommend using the ► button on the control panel to set Media Suction to 2. The media is rewound straight.

- 20** Open the front cover.



- 21** Lower the media loading lever to hold the media in place.

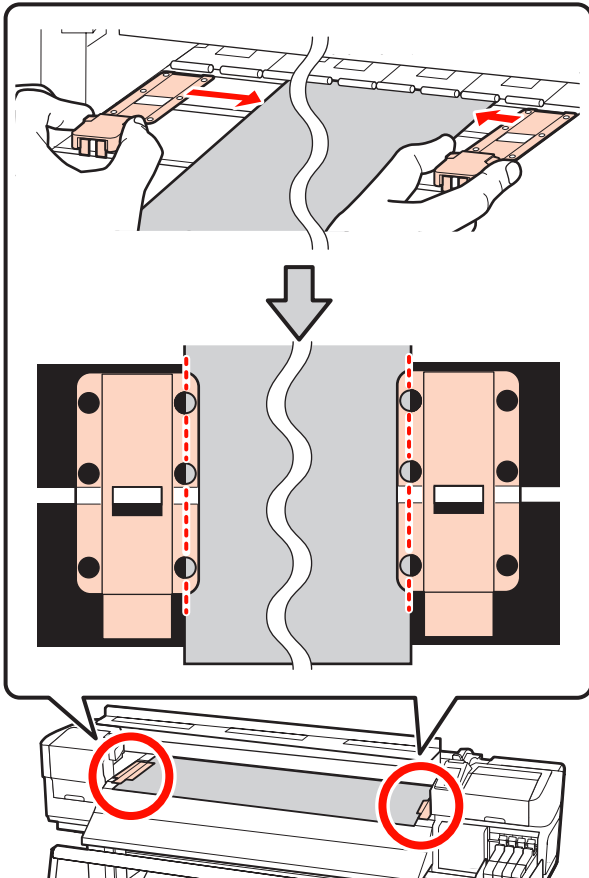


**Basic Operations**

**22** Attach the media rolling plates at either end of the media.

**Sliding media holding plates**

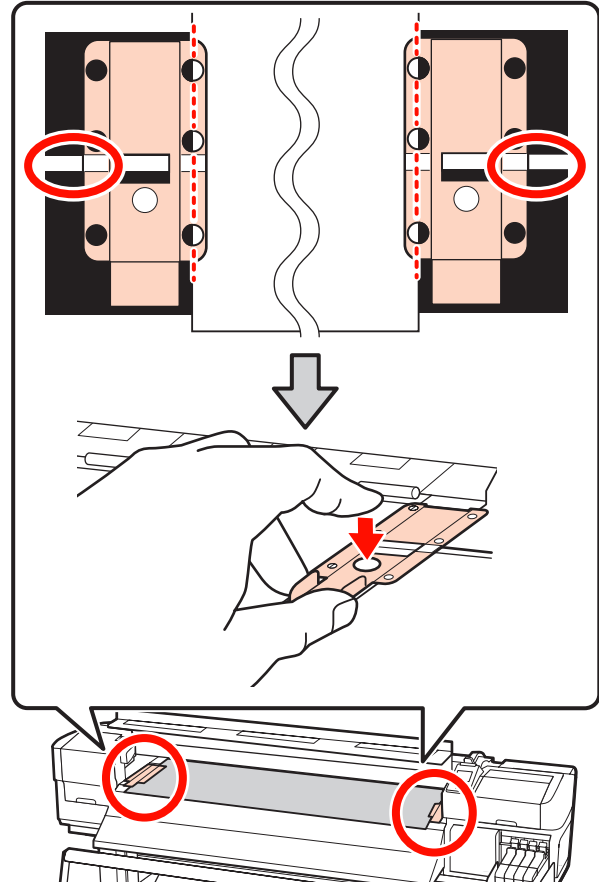
While holding the tabs of the media holding plate on both sides, move the plate to the top edge of the media. Move so that the leading edge of the media is aligned to the center of the round holes in the media holding plates.



**Insertable media holding plates**

Position the media holding plates, while the media is placed over them, in such a way that each edge of the media is aligned to the middle of a row of the round holes in the media holding plates.

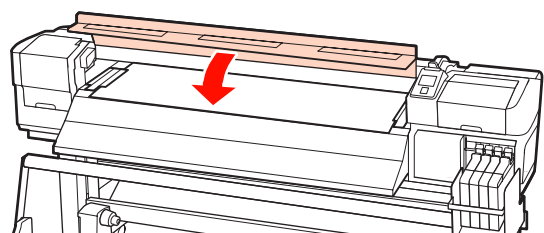
- (1) Align the white lines of the media holding plates with the white lines of the platen.
- (2) To keep the plates from lifting, push them down until you hear a clicking sound.



**! Important:**

- ❑ Do not use the media holding plates with media that is more than 0.4 mm thick. The media holding plates could touch and damage the print head.
- ❑ Always position the plates so that the edges of the media are at the centers of the round holes. Incorrect positioning causes banding (horizontal banding, tint unevenness, or stripes) during printing.
- ❑ Move the media holding plates to the left and right edges of the platen when they are not in use.
- ❑ Do not use the media holding plates if the sides of the printed media are smudged or torn.

**23** Close the front cover.

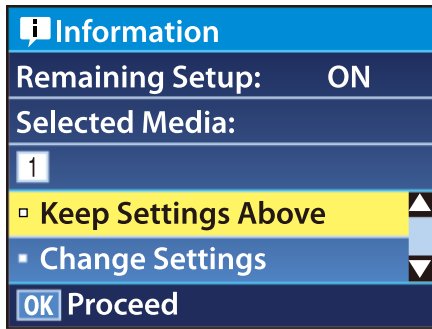


**Basic Operations**

After loading the media, see the following section.

**Viewing and Changing Media Settings**

The control panel displays the following information once the media is loaded.



This display can be used to view or change the following two options:

**Remaining Setup**

**On:** The printer displays the amount of media remaining.

**Off:** The printer does not display the amount of media remaining.

When **Remaining Setup** is **On**, the printer will calculate the approximate amount of media remaining based on the length of the roll and the amount used for printing and display this information in the control panel. The display gives a rough idea of the amount of media available before printing, making it easier to know when media requires replacement.

In addition, a warning will be displayed when the amount of media remaining reaches a specified level.

**Selected Media**

Displays the parameters on which media settings are based as shown below.

**XXXXXXXXXXXXXXXXXXXXX:** Media settings are based on those stored in the printer in media settings bank No. 1.

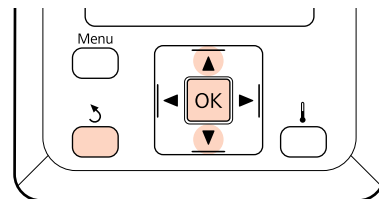
Media settings banks can store a variety of settings for different media based on the options selected in

the **Media Suction**, **Head Alignment**, and other menus. Up to 30 combinations of settings can be stored by assigning them to banks No. 1 to 30.

**RIP Settings:** Media settings are based on those in the RIP.

Media Settings [“Saving Settings” on page 62](#)

Buttons that are used in the following settings



- 1** Select an option.  
**To print at current settings:** Use the ▼/▲ buttons to select **Keep Settings Above** and press the OK button.  
  
Proceed to Step 6.  
**To change settings:** Use the ▼/▲ buttons to select **Change Settings** and press the OK button.
- 2** Select the items you want to change and press the OK button.
- 3** Select the desired option and press the OK button.
- 4** Press the ⌂ button to display the dialog shown in Step 2 and then press the ⌂ button again.
- 5** After confirming that the settings are correct, use the ▼/▲ buttons to select **Keep Settings Above** and press the OK button.
- 6** The roll type selection screen is displayed.  
  
Use the ▼/▲ buttons to select the roll type that matches the loaded roll and press the OK button.

## Basic Operations

- 7** If **On** is selected for **Remaining Setup**, you will be prompted to enter the length of the current media.  
Use the ▼/▲ buttons to choose a length between 1.0 and 999.5 m and press the OK button. You can set in 0.5 m increments.

The printer will display **Ready** after a brief pause, showing that it is ready to print. Transmit the data to be printed from the computer.

## Exchanging Media

To replace the media after printing, print the amount of media remaining, cut the media, and remove the roll.

### Printing the Amount of Media Remaining

The printer displays the amount of media remaining and any media low warnings in the control panel. This makes it possible to determine whether the media requires replacement before printing.

The amount of media remaining can only be displayed if the correct length is entered when the media is loaded.

You can print the amount of media remaining on the leading edge of the roll before it is removed from the printer and then enter this number the next time the media is loaded for accurate information on the amount remaining.

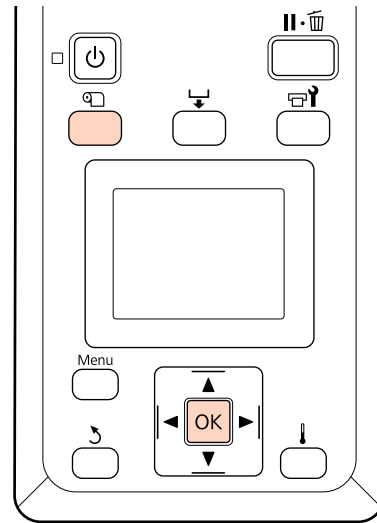
**Note:**


The printer does not calculate or display the amount of media remaining when **Off** is selected for **Remaining Setup** in the setup menu.

[“Viewing and Changing Media Settings” on page 43](#)

The following section describes how to print the amount of media remaining.

Buttons that are used in the following settings



- 1** Confirm that the printer is ready to print.
- 2** Press the  button, select **Media Remaining** in the menu, and press the OK button.
- 3** Select **Print Remaining Length** and press the OK button.
- 4** Press the OK button to print the amount of media remaining.

### Cutting Media

Use a cutter (available in the market) to cut the media when printing is complete. This section described how to use a cutter to cut the media.

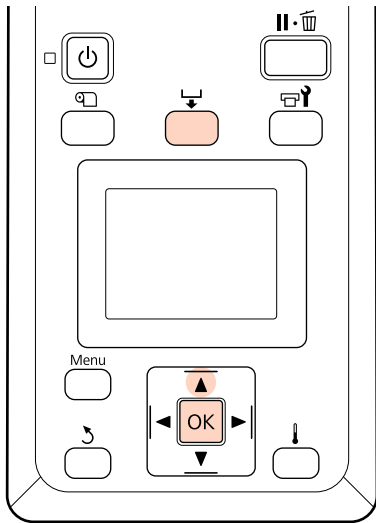



**Caution:**

- ❑ The after heater may be hot; observe all necessary precautions. Failure to observe the necessary precautions could result in burns.
- ❑ When cutting media, be careful not to cut your fingers or hands with the cutter or other blades.

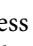
**Basic Operations**

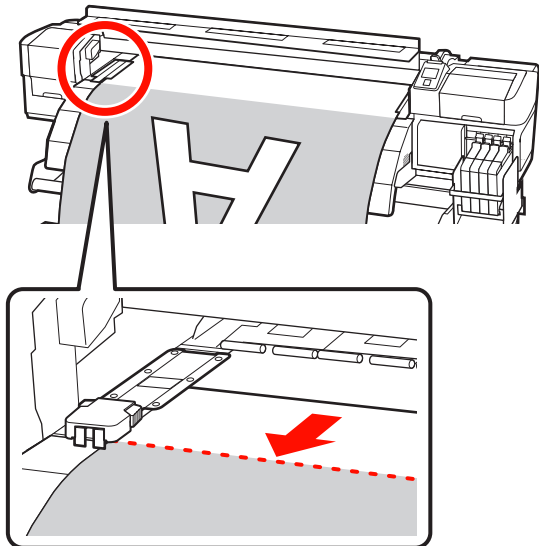
Buttons that are used in the following settings



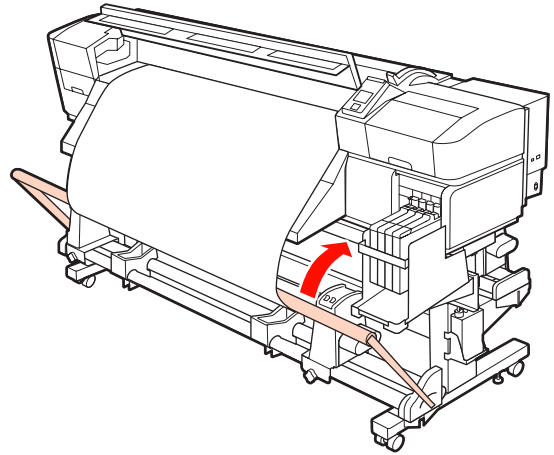
**1** After checking that the printer is ready, press the  button, and press the OK button.

**2** Check that the trailing edge of the printed media is fed to the position over the cutter groove, and open the front cover.

If you have printed the amount of media remaining, press the  button to rewind the media so that this information will remain on the roll after the media is cut.



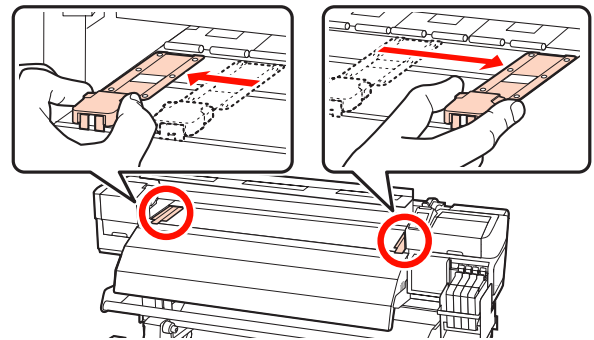
When the Auto Take-up Reel Unit is used on the SC-F7000 Series, raise the tensioner.



**3** Open the front cover, and move the media holding plates out of the way.

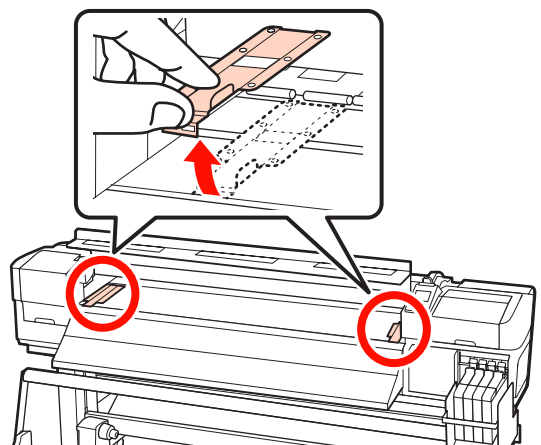
**Sliding media holding plates**

Move the media holding plates to the right and left sides of the platen. Hold both tabs on the media holding plates to move them.



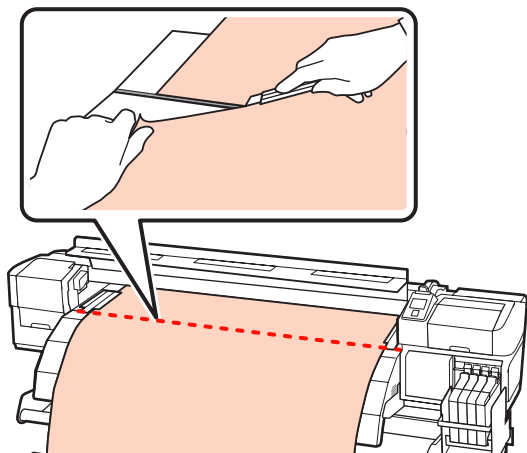
**Insertable media holding plates**

Remove the media holding plates from both edges of the media.



**Basic Operations**

- 4** Cut the media with the cutter.  
Pass the blade of the cutter down the cutting groove.



**! Important:**  
To continue printing after cutting, do not rewind the media past the cutter groove (on the pressure roller side).  
  
If the leading edge of the media is curled, stop rewinding before the media reaches the inner side of the front cover.

**Note:**  
If you are using the Auto Take-up Reel Unit, set the Auto switch on the Auto Take-up Reel Unit to Off before using the Manual according to the take-up direction of the media to rewind the cut media.

**Removing Media**

You can now remove the media from the roll holders. To remove the media, reverse the steps you followed to load it.

**Using the Auto Take-up Reel Unit**

The usage method depends on your printer. Choose the method suited to your printer.

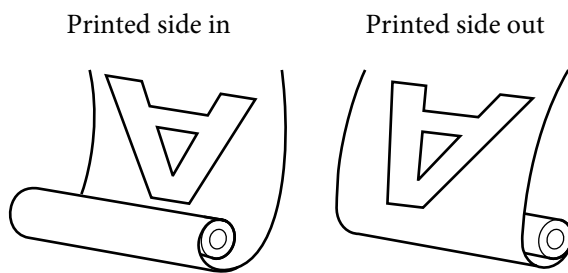
**When using the SC-F7200/SC-F7100 Series**  
See the following section.

**When using the SC-F7000 Series**  
☞ “Media Loading (SC-F7000 Series)” on page 54

**Media Loading (SC-F7200/SC-F7100 Series)**

The auto take-up reel unit automatically takes up media as it is printed. This improves the efficiency of unmanned operation.

The Auto Take-up Reel Unit for this printer can take up media in either of the following directions.



Taking-up with printed side in places the printed surface on the inside of the roll. Printed side in is recommended in most situations.

Taking-up with printed side out places the printed surface on the outside of the roll.

**! Caution:**

- ☐ Be sure that your hands or hair do not get caught in the Media Feeding Unit, Auto Take-up Reel Unit while it is operating.  
*Failure to observe this precaution could result in injury.*
- ☐ Follow the instructions in the manual when loading media or roll cores or removing media from the take-up roll.  
*Dropping media, roll cores, or take-up rolls could result in injury.*

**Points to remember for correct take-up**

Observe the following points for correct take-up of media.

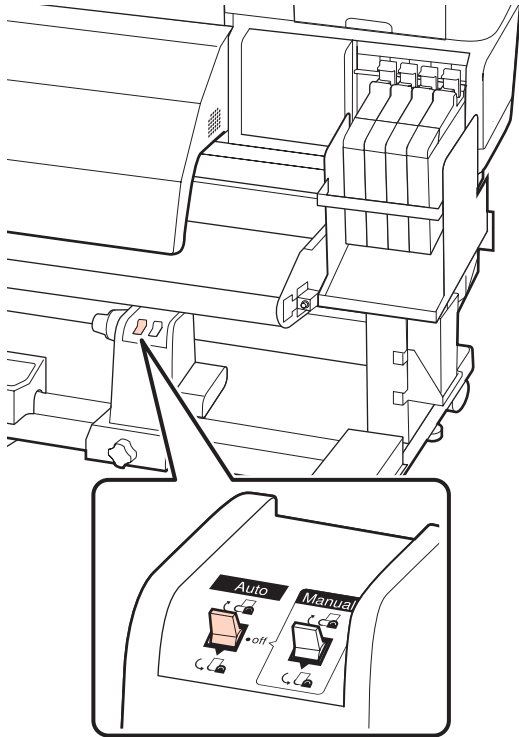


## Basic Operations

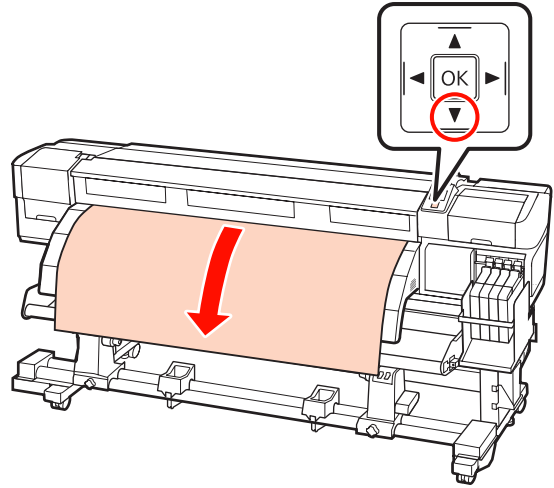
- ❑ We recommend using a take-up roll core with the same width as the media. If a take-up roll core of a different width is used, the take-up roll core may bend, and the media will be taken up incorrectly.
- ❑ We recommend Printed side in for the take-up of media. When take-up cannot be performed correctly with Printed side out, take-up using Printed side in.
- ❑ Media less than 36 inches may be taken up incorrectly.

### Attaching the roll core

- 1 Set the Auto switch to Off.



- 2 After confirming that the media is loaded correctly, press the ▼ button to feed the media as far as the Auto Take-up Reel Unit roll core holder.

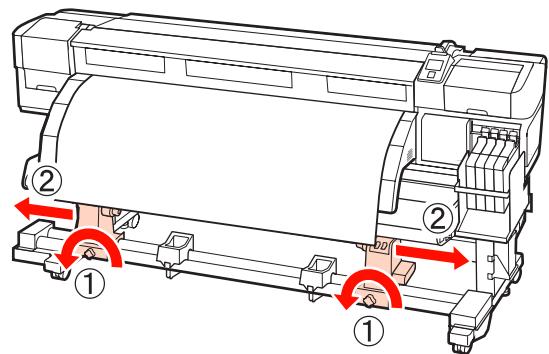


**! Important:**

Always press the ▼ button to feed the media as far as the roll core holder. If the media is pulled by hand, the media may twist during take-up.

- 3 Loosen the roll core holder locking screws and adjust the roll core holders so that the distance between the two is wider than the media.

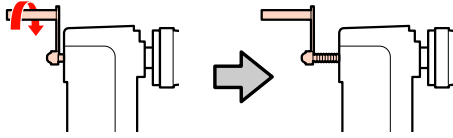
Center the roll supports between the roll holders.



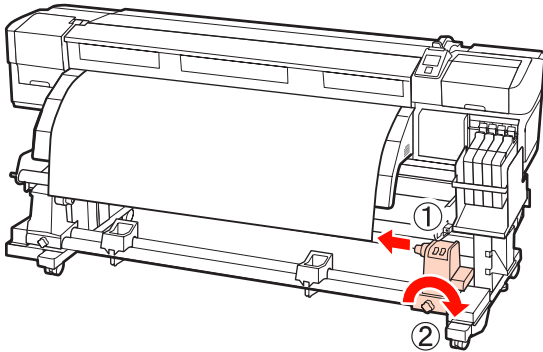
**Basic Operations**

**! Important:**

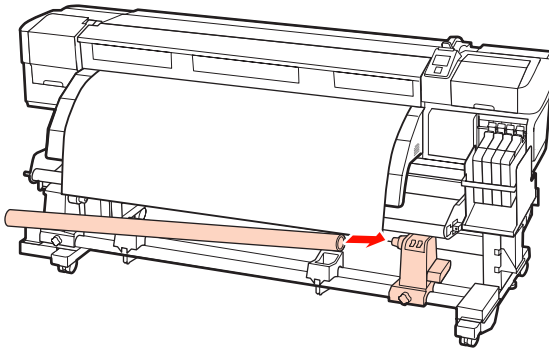
If the left roll core handle shaft is not visible, rotate the handle as shown in the illustration below until it stops. The roll core can not be properly loaded if the handle shaft is not visible.



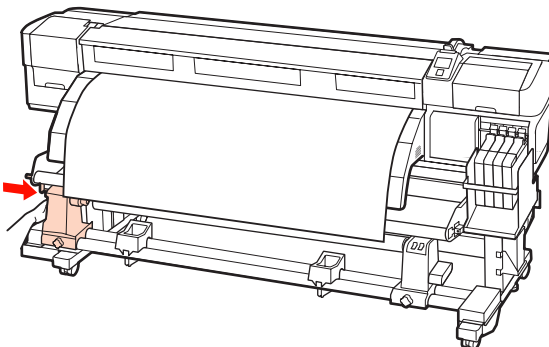
**4** Align the right roll core holder with the right edge of the media and tighten the locking screw.



**5** Insert the roll core onto the right holder.



**6** Confirm the following: the left roll core holder is fully inserted into the roll core, and the roll core and edges of the media are not misaligned.

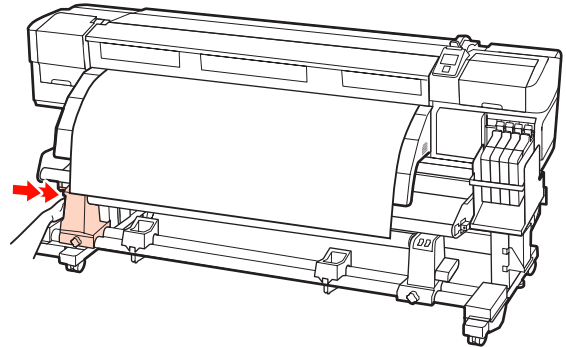


**! Important:**

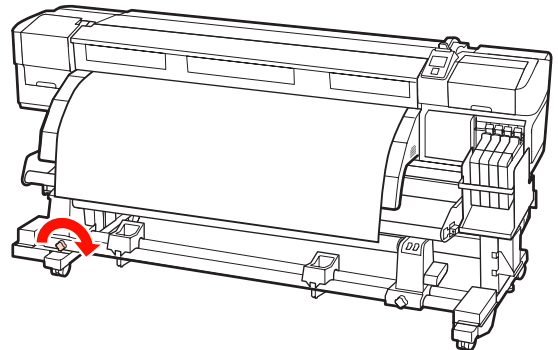
If the edges of the media are misaligned, the media cannot be taken up correctly. When misaligned, loosen the right roll core holder locking screw, and then restart from Step 4.

**7** To ensure the roll core holder is inserted sufficiently, push the center section on the side of the roll core holder towards the roll end twice.

Confirm that the roll core and edges of the media are not misaligned.



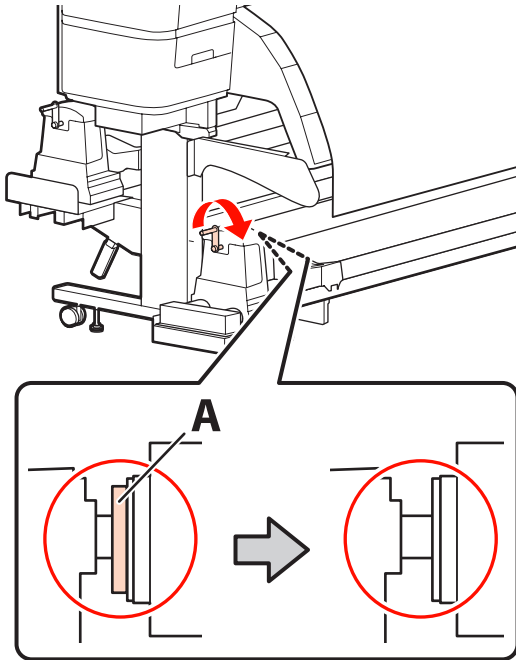
**8** Tighten the left roll core holder locking screw to fix the roll core holder in place.





## Basic Operations

- 9** Rotate the handle until part A in the illustration below is fully inserted.




**Important:**

Once part A is hidden, do not turn the handle any further. Failure to observe this precaution could damage the roll core holder.

If part A is not hidden even after turning the handle until it can no longer be turned, the roll core holder may not be fully inserted. Return to step 6.

See the following for further instructions.

For information on taking-up with printed side in, see the following section.

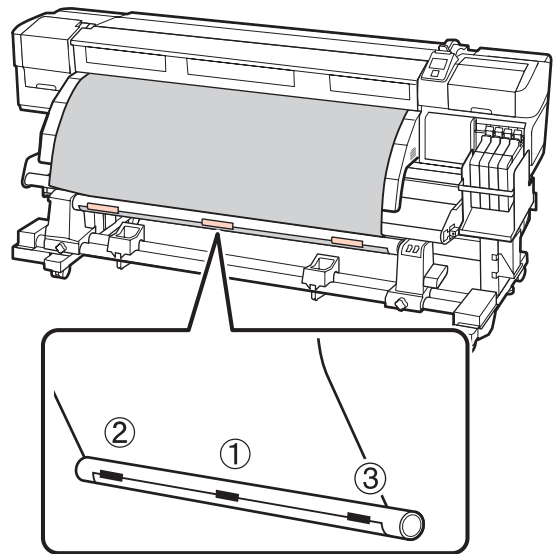
Taking-up with printed side out  [“Take-up with the Printed Side Facing Out”](#) on page 51

## Take-up with the Printed Side Facing In

**1**

Pass the media through the front side of the media guide bar, and then attach the media to the take up roll core with tape.

In the order shown in the illustration, tape the media to the take up roll core. When attaching in the center, attach using tape while pulling the center of the media straight. When attaching on the left and right, attach using tape while pulling the media sideways.




**Important:**

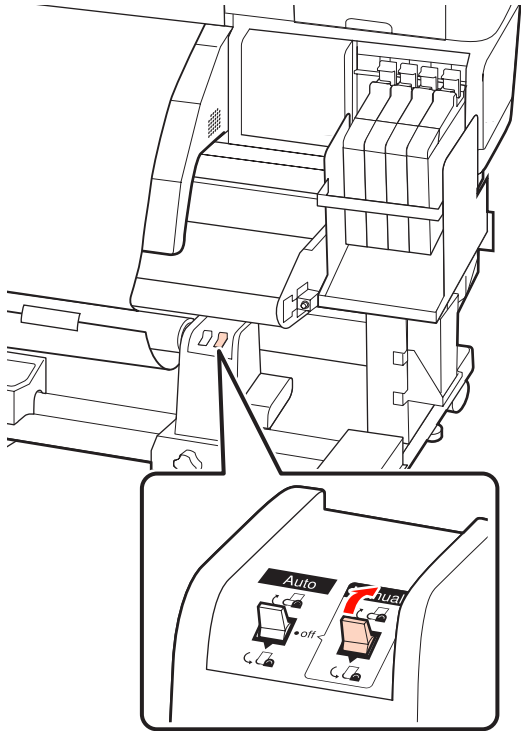
If the media is lifted up between the attached pieces of tape, the media will not be taken up correctly. If the media is lifted up, we recommend either adding tape and attaching it uniformly or fixing creases at the leading edge of the media.

**2**

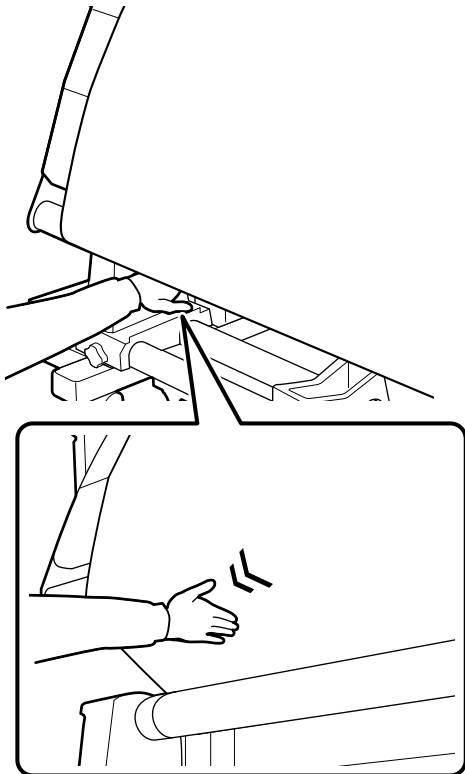
Press the ▼ button in the control panel to feed enough media for a single wrap around the roll core.


**Basic Operations**

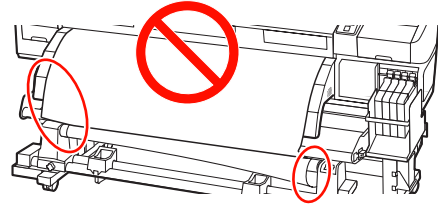
- 3** Flip the Manual switch to  to wrap the media once around the roll core.



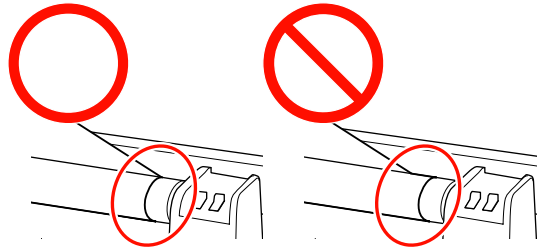
- 4** Confirm that the media is not loose.  
Confirm differences in tension on the right and left by lightly tapping on both edges of the media.



**! Important:**  
As shown in the identified sections in the illustration below, if the tensions of the left and right edges of the media are different, the media that follows cannot be taken up correctly. If there is slack on one side, flip the Manual switch to  to rewind the media, peel the tape, and then restart from Step 1.




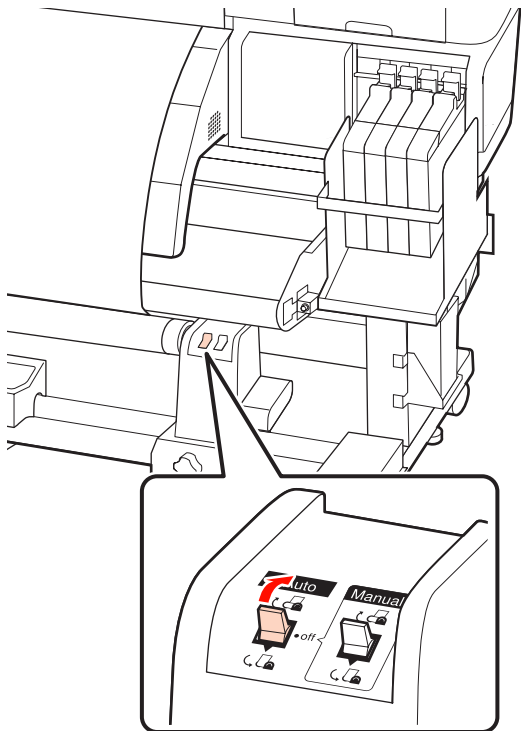
- 5** Confirm that the edges of media taken up on the roll core are not misaligned.



**! Important:**  
If the edges of media taken up on the roll core are misaligned, the media that follows cannot be taken up correctly. When misaligned, rewind the media, peel the tape, and then restart from Step 1.

**Basic Operations**

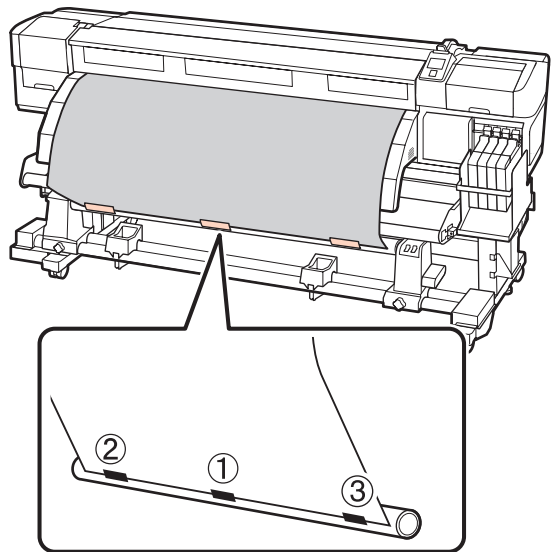
**6** Flip the Auto switch to  .



**Take-up with the Printed Side Facing Out**

**1** Pass the media through the front side of the media guide bar, and then attach the media to the take up roll core with tape.


In the order shown in the illustration, tape the media to the take up roll core. When attaching in the center, attach using tape while pulling the center of the media straight. When attaching on the left and right, attach using tape while pulling the media sideways.

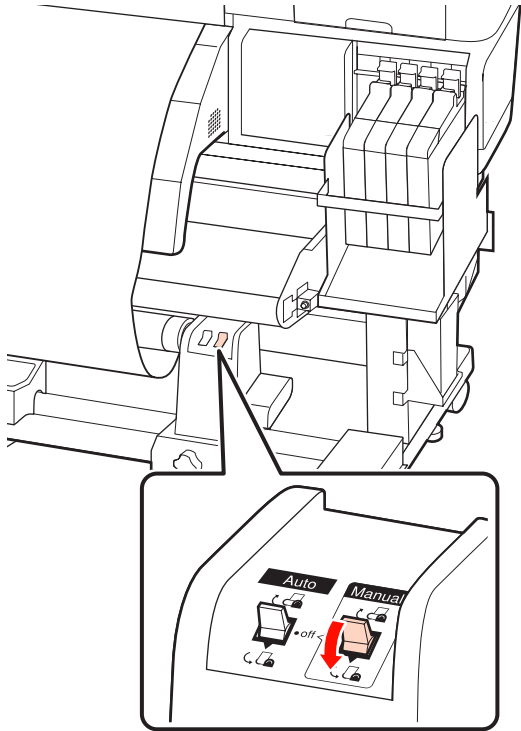


**! Important:**  
 If the media is lifted up between the attached pieces of tape, the media will not be taken up correctly. If the media is lifted up, we recommend either adding tape and attaching it uniformly or fixing creases at the leading edge of the media.

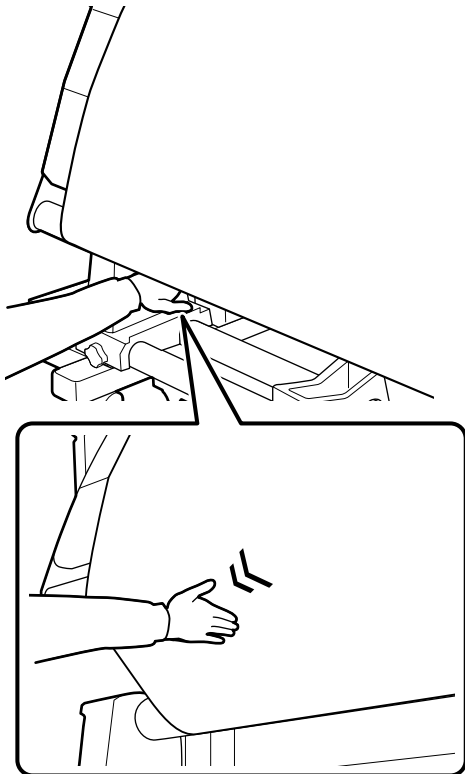
**2** Press the ▼ button in the control panel to feed enough media for a single wrap around the roll core.


**Basic Operations**

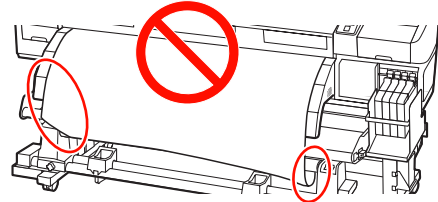
- 3** Flip the Manual switch to  to wrap the media once around the roll core.



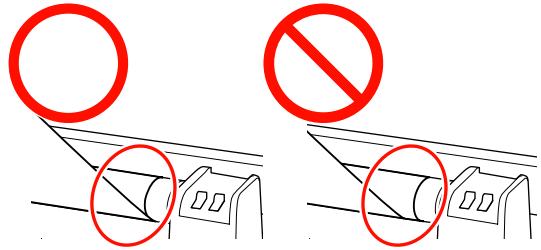
- 4** Confirm that the media is not loose.  
Confirm differences in tension on the right and left by lightly tapping on both edges of the media.



**! Important:**  
As shown in the identified sections in the illustration below, if the tensions of the left and right edges of the media are different, the media that follows cannot be taken up correctly. If there is slack on one side, flip the Manual switch to  to rewind the media, peel the tape, and then restart from Step 1.




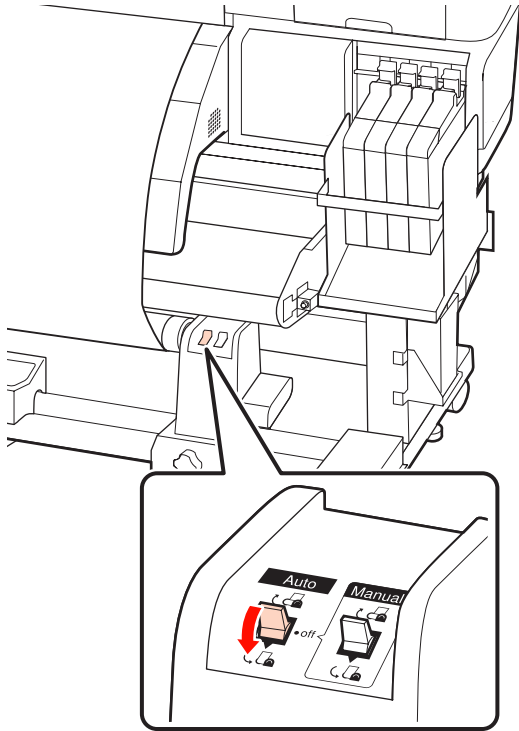
- 5** Confirm that the edges of media taken up on the roll core are not misaligned.



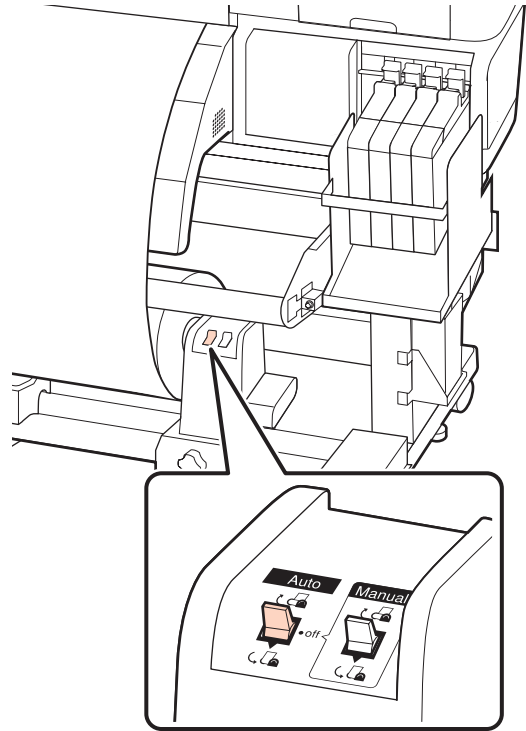
**! Important:**  
If the edges of media taken up on the roll core are misaligned, the media that follows cannot be taken up correctly. When misaligned, rewind the media, peel the tape, and then restart from Step 1.

**Basic Operations**

**6** Flip the Auto switch to  .



**1** Set the Auto switch to Off.



**Removing the Take-up Roll (SC-F7200/SC-F7100 Series)**

This section describes how to remove media from the take-up reel.

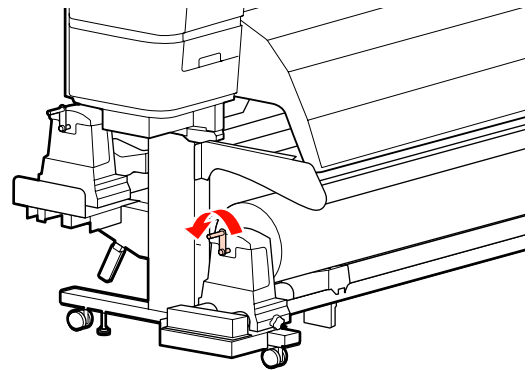
**Caution:**

- ❑ Because the media is heavy, it should not be carried by one person. When loading or removing the media, use at least two persons.
- ❑ Perform the following procedure to properly remove the take-up roll.  
*Injury may occur if the take-up roll falls.*

**2** Cut the media and roll the cut end onto the take-up reel.

 [“Cutting Media” on page 44](#)

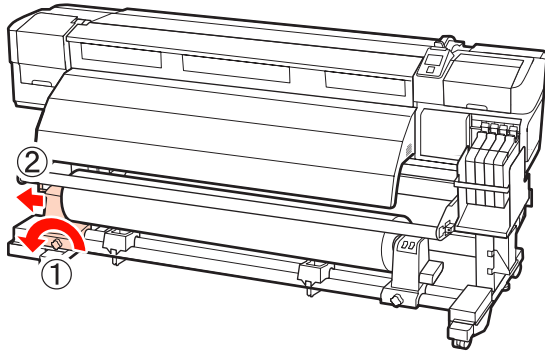
**3** Rotate the handle of the left roll core holder.



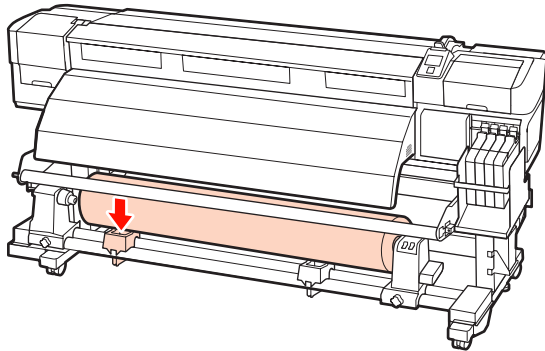
**4** To prevent the media from sliding off the roll, support the roll at its left end.

**Basic Operations**

- 5** Loosen the left roll core holder locking screw and remove the roll core holder.

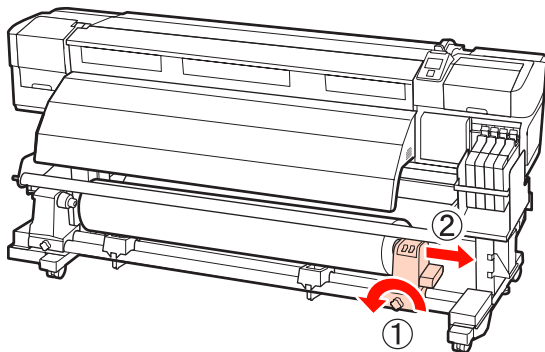


- 6** Lower the roll onto the roll support.

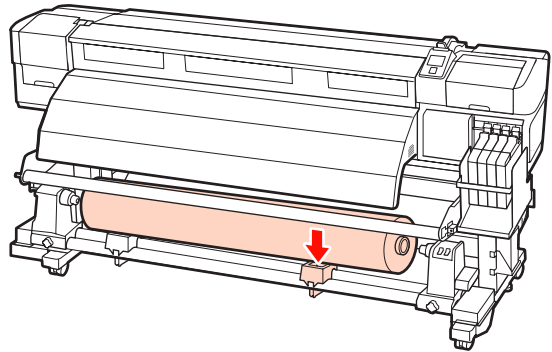


- 7** To prevent the media from sliding off the roll, support the roll at its right end.

- 8** Loosen the right roll core holder locking screw and remove the roll core holder from the roll.



- 9** Lower the roll onto the roll support.

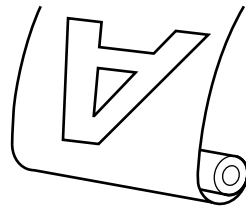


**Media Loading (SC-F7000 Series)**

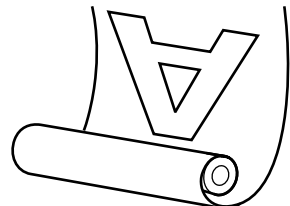
The auto take-up reel unit automatically takes up media as it is printed. This improves the efficiency of unmanned operation.

The Auto Take-up Reel Unit for this printer can take up media in either of the following directions.

Printed side out



Printed side in



Taking-up with printed side out places the printed surface on the outside of the roll.

Taking-up with printed side in places the printed surface on the inside of the roll.

**Caution:**

- ❑ Be sure that your hands or hair do not get caught in the Auto Take-up Reel Unit while it is in operation.

*Failure to observe this precaution could result in injury.*

- ❑ Perform the following procedure to correctly secure the roll core for the Auto Take-up Reel Unit into place.

*Injury may occur if the take-up roll falls.*

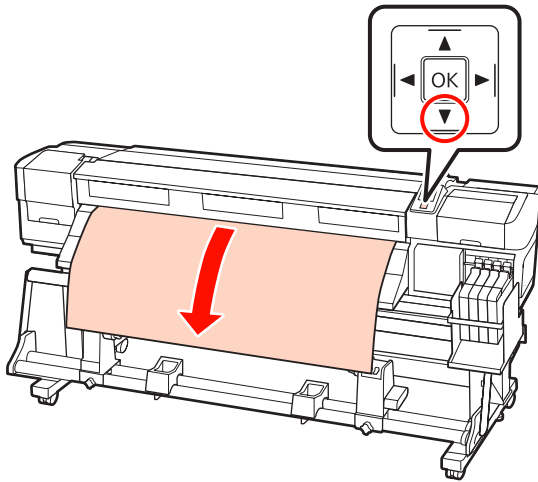
## Basic Operations

**! Important:**

- ❑ Do not use a roll core with a deformed interior. If the roll core holder slips, the media may be taken up incorrectly.
- ❑ We recommend using a take-up roll core with the same width as the media. If a take-up roll core of a different width is used, the take-up roll core may bend, and the media will be taken up incorrectly.

### Attaching the roll core

- 1 After confirming that the media is loaded correctly, press the ▼ button to feed the media as far as the Auto Take-up Reel Unit roll core holder.

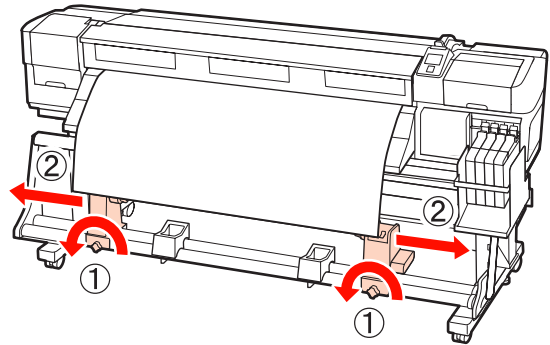


**! Important:**

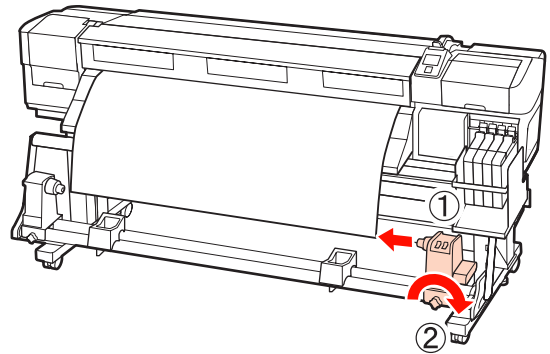
Always press the ▼ button to feed the media as far as the roll core holder. If the media is pulled by hand, the media may twist during take-up.

- 2 Loosen the roll core holder locking screws and adjust the roll core holders so that the distance between the two is wider than the media.

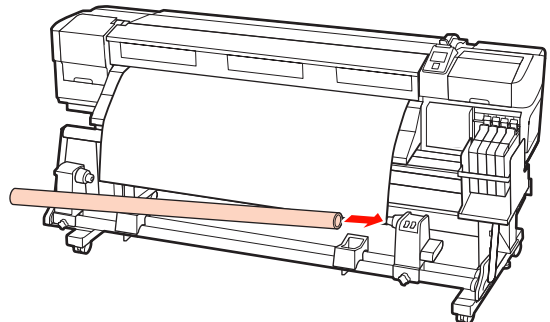
Center the roll supports between the roll holders.



- 3 Align the right roll core holder with the right edge of the media and tighten the locking screw.



- 4 Insert the roll core onto the right holder.

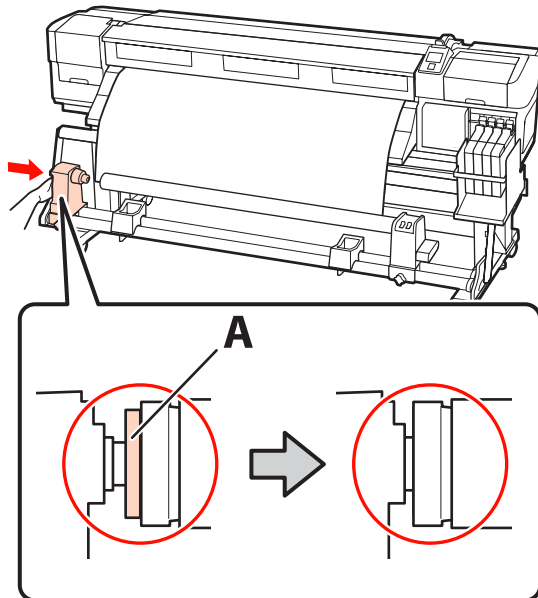




## Basic Operations

- 5** Insert the left holder into the roll core.

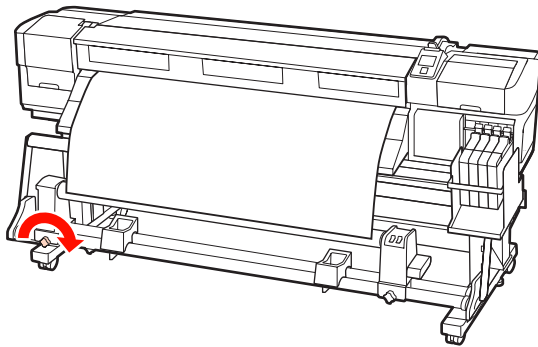
Slide the holder in until part A in the illustration below is fully inserted.



**!** **Important:**


Stop when part A is no longer visible. The take-up reel unit may not function as expected if the holder is inserted too far.

- 6** Tighten the roll core holder locking screw to fix the roll core holder in place.



See the following for further instructions.

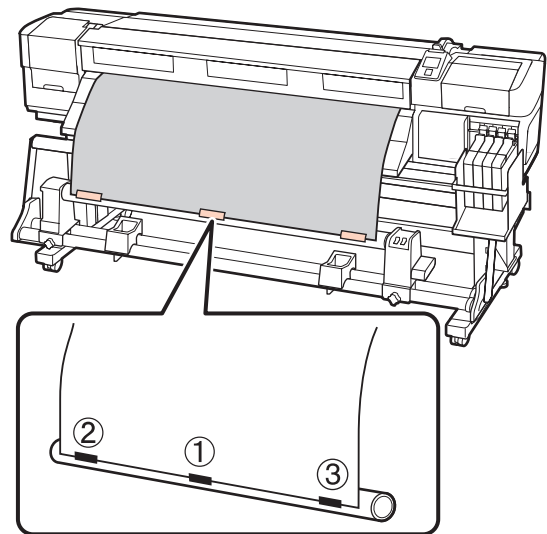
For information on taking-up with printed side out, see the following section.

Take-up with Printed Side Facing In  [“Take-up with the Printed Side Facing In” on page 58](#)

## Take-up with the Printed Side Facing Out

- 1** Attach the media to the take up roll core with tape.

In the order shown in the illustration, tape the media to the take up roll core. When attaching in the center, attach using tape while pulling the center of the media straight. When attaching on the left and right, attach using tape while pulling the media sideways.




**!** **Important:**

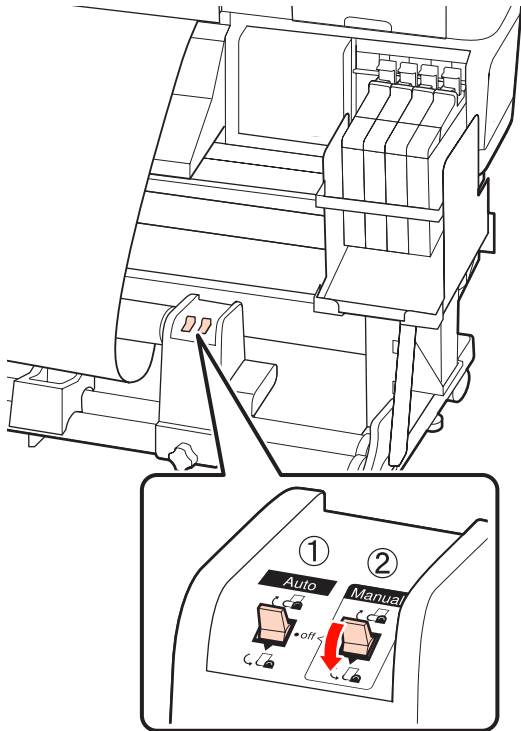
If the media is lifted up between the attached pieces of tape, the media will not be taken up correctly. If the media is lifted up, we recommend either adding tape and attaching it uniformly or fixing creases at the leading edge of the media.


- 2** Press the ▼ button in the control panel to feed enough media for a single wrap around the roll core.

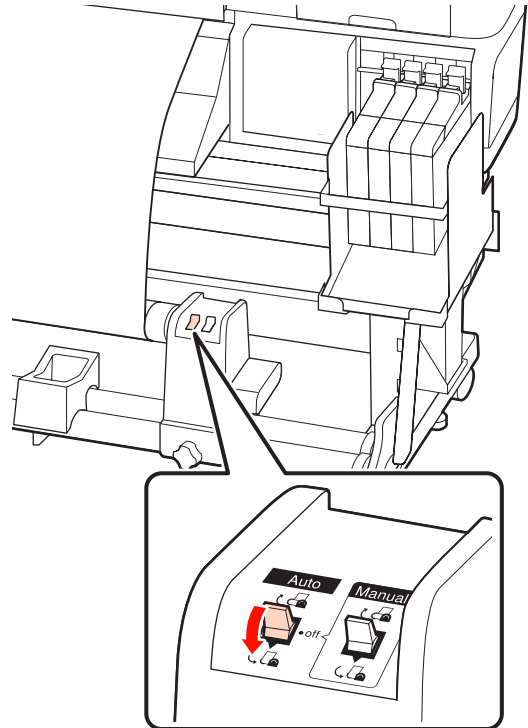


**Basic Operations**

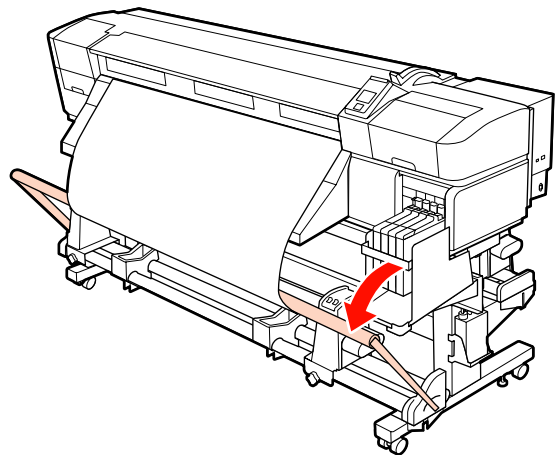
- 3** Flip the Auto switch to Off, and hold down the Manual switch to  to wrap the media once around the roll core.



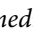
- 4** Flip the Auto switch to .

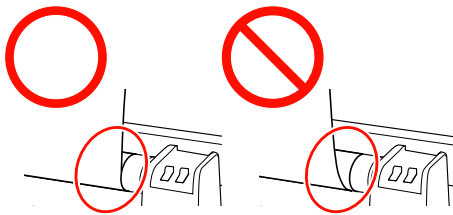


- 5** Lower the tensioner.



**! Important:**

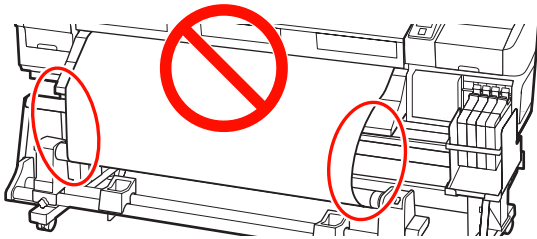
Confirm that edges of media taken up on the roll core are not misaligned. If the edges are misaligned, the media that follows cannot be taken up correctly. If there is slack, flip the Manual switch to  to rewind the media, peel the tape, and then restart from Step 1.



**Basic Operations**

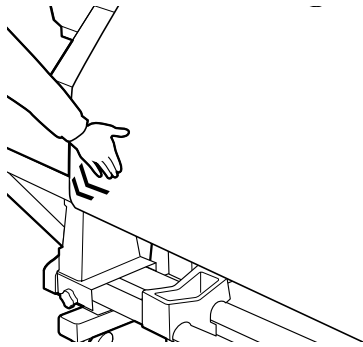
**6** Confirm that the media is attached without deformation.

As shown in the identified sections in the illustration below, if the tensions of the left and right edges of the media are different, the media cannot be taken up correctly. If there is slack on one side, repeat from Step 1.



**Note:**

As shown in the illustration below, you can confirm differences in tension by lightly tapping on both edges of the media.



**7** Press the ▼ button to feed the media until the take up roll core begins to turn.



**Important:**

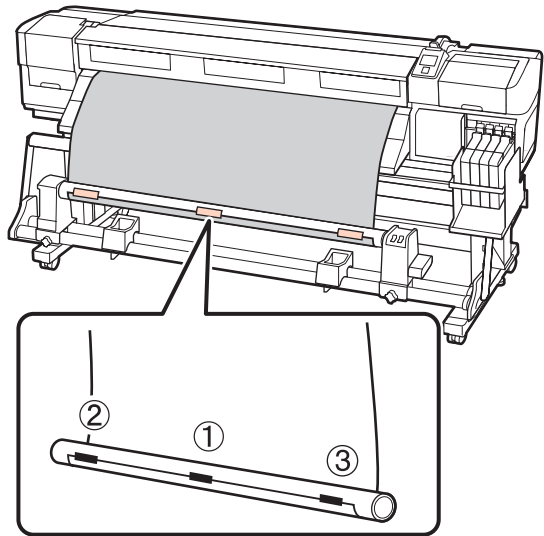
The Auto Take-up Reel Unit will not function if the tensioner is raised.

**Take-up with the Printed Side Facing In**

**1**

Attach the media to the take up roll core with tape.

In the order shown in the illustration, tape the media to the take up roll core. When attaching in the center, attach using tape while pulling the center of the media straight. When attaching on the left and right, attach using tape while pulling the media sideways.




**Important:**

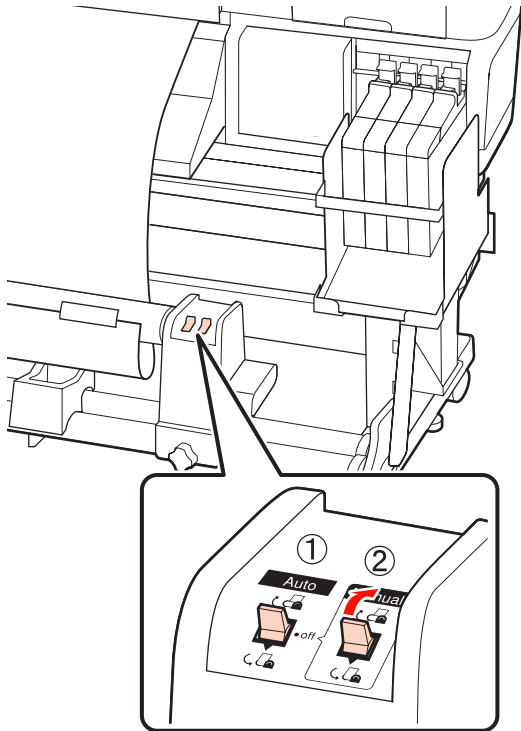
If the media is lifted up between the attached pieces of tape, the media will not be taken up correctly. If the media is lifted up, we recommend either adding tape and attaching it uniformly or fixing creases at the leading edge of the media.


**2**

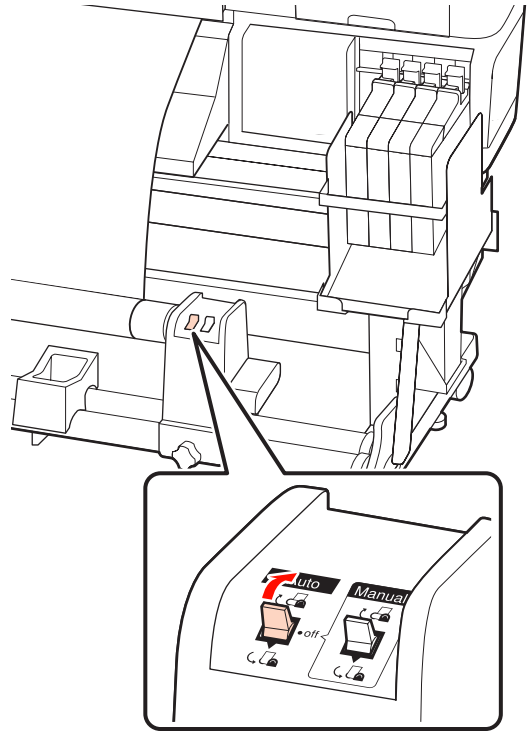
Press the ▼ button in the control panel to feed enough media for a single wrap around the roll core.

**Basic Operations**

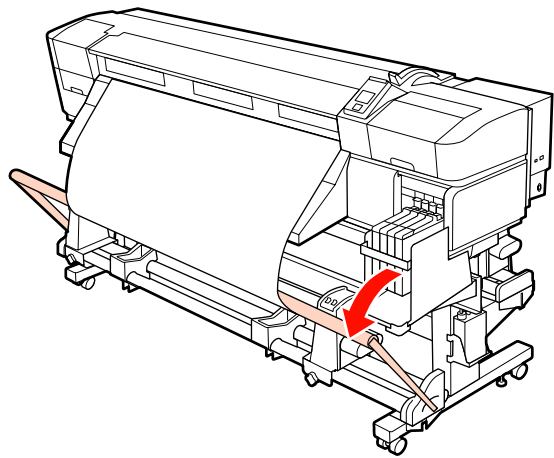
- 3** Flip the Auto switch to Off, and hold down the Manual switch to  to wrap the media once around the roll core.



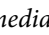
- 4** Flip the Auto switch to .

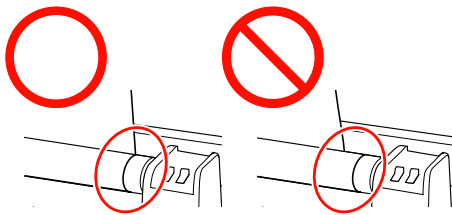


- 5** Lower the tensioner.



**! Important:**

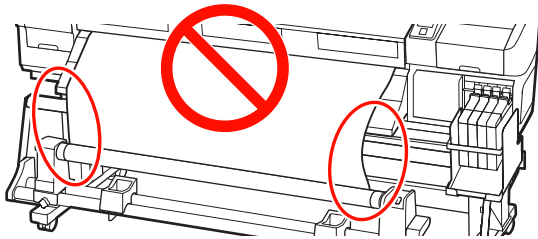
Confirm that edges of media taken up on the roll core are not misaligned. If the edges are misaligned, the media that follows cannot be taken up correctly. If there is slack, flip the Manual switch to  to rewind the media, peel the tape, and then restart from Step 1.



## Basic Operations

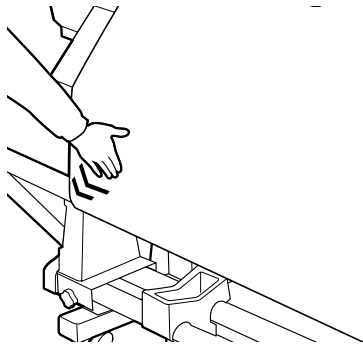
- 6** Confirm that the media is attached without deformation.

As shown in the identified sections in the illustration below, if the tensions of the left and right edges of the media are different, the media cannot be taken up correctly. If there is slack on one side, repeat from Step 1.



**Note:**

As shown in the illustration below, you can confirm differences in tension by lightly tapping on both edges of the media.



- 7** Press the ▼ button to feed the media until the take up roll core begins to turn.



**Important:**

The Auto Take-up Reel Unit will not function if the tensioner is raised.

## Removing the Take-up Roll (SC-F7000 Series)

This section describes how to remove media from the take-up reel.



**Caution:**

- ❑ Because the media is heavy, it should not be carried by one person. When loading or removing the media, use at least two persons.
- ❑ Perform the following procedure to properly remove the take-up roll.  
Injury may occur if the take-up roll falls.

**1**

Cut the media and roll the cut end onto the take-up reel.

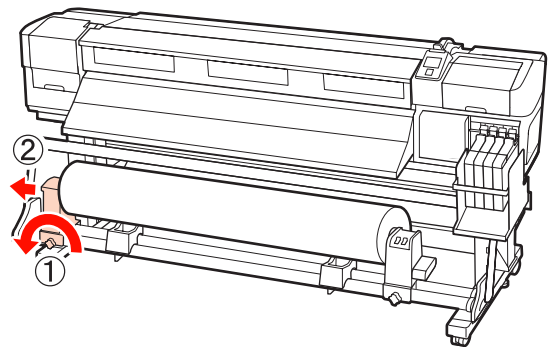
“Cutting Media” on page 44

**2**

To prevent the media from sliding off the roll, support the roll at its left end.

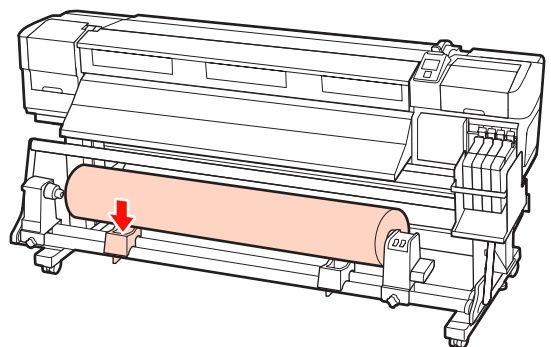
**3**

Loosen the left roll core holder locking screw and remove the roll core holder.



**4**

Lower the roll onto the roll support.

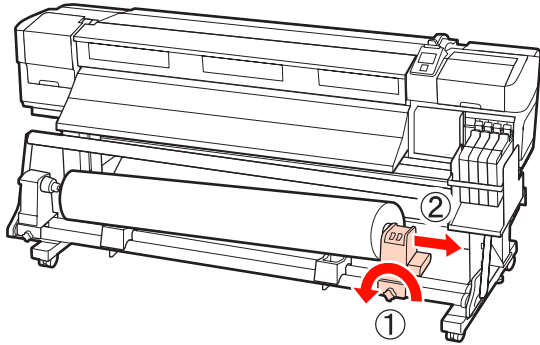


**5**

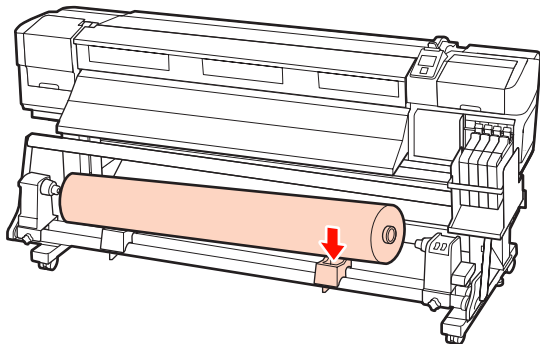
To prevent the media from sliding off the roll, support the roll at its right end.

**Basic Operations**

- 6** Loosen the right roll core holder locking screw and remove the roll core holder from the roll.



- 7** Lower the roll onto the roll support.




**Before Printing**

To maintain print quality, perform the following inspection before starting work each day.

Print Check Pattern

Print a check pattern to check for clogged nozzles.

Perform head cleaning if parts of the pattern are faint or missing.

Print Check Pattern  [“Checking for Clogged Nozzles” on page 99](#)

Head Cleaning  [“Head Cleaning” on page 100](#)

**Saving Optimal Settings for the Current Media (Print Media Settings)**

A variety of media settings can be optimized for the current media and stored in the printer.

Once frequently used settings have been stored in a media setting bank, it can be recalled to instantly optimize multiple parameters.

The printer offers a total of 30 media setting banks.

This section describes how to create media setting banks and the settings that can be stored.

**Parameters Stored in Media Setting Banks**

Media setting banks store the following:

- Setting Name
- Feed Adjustment
- Platen Gap
- Head Alignment
- Heating & Drying<sup>\*1</sup>
- Drying<sup>\*2</sup>
- Media Suction
- Head Movement
- Multi-Strike Printing
- Roll Type
- Tension Measurement
- Feeding Tension<sup>\*1</sup>
- Take-up Tension<sup>\*1</sup>
- Media Tension<sup>\*2</sup>
- Feed Speed

## Basic Operations

- ❑ Prevent Sticking\*<sup>3</sup>

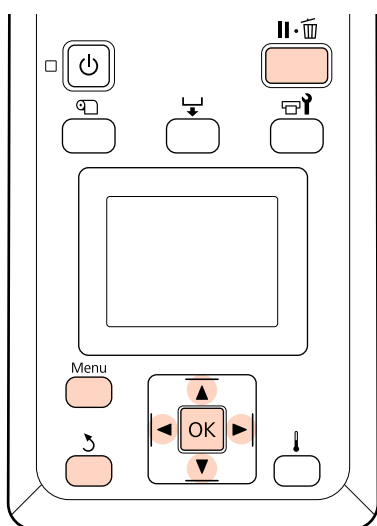
\*1 is only displayed for the SC-F7200 and SC-F7100 Series, \*2 is only displayed for the SC-F7000 Series, and \*3 is only displayed for the SC-F7200 series.

For more information on these items, see [☞ “The Media Setup Menu” on page 109](#)

## Saving Settings

Follow the steps below to save media settings.

Buttons that are used in the following settings



### Choosing a Media Setting Bank

- 1 After confirming that the printer is ready, press the **Menu** button.  
The settings menu will be displayed.
- 2 Select **Media Setup** and press the OK button.
- 3 Use the ▼/▲ buttons to select **Customize Settings** and press the OK button.
- 4 Use the ▼/▲ buttons to select a media setting bank number between 1 and 30 and then press the OK button.

Note that any settings already saved in the printer will be overwritten.

### Setting Name

Name the media setting bank. Using distinctive names makes it easier to select banks for use.

- 1 Select **Setting Name** and press the OK button.
- 2 Use the ▼/▲ buttons to display letters and symbols. When the desired character is displayed, press the ► button to select the next entry position.

Mistakes can be erased by pressing the ◀ button to delete the previous character and move the cursor back one spot.

- 3 After entering the name, press the OK button.

### Feed Adjustment

**Feed Adjustment** is used to correct banding (horizontal banding, lines, or strips of uneven color).

For Feed Adjustment, the user visually inspects print results and enters the adjustment value by hand.

See the following for details

[☞ “Feed Adjustment” on page 69](#)

### Platen Gap

Adjust the platen gap (the gap between the print head and the media) if print results are smudged.

- 1 Use the ▼/▲ buttons to select **Platen Gap** and press the OK button.
- 2 Use the ▼/▲ buttons to select the desired setting and press the OK button.
- 3 Press the ↵ button to return to the customize settings menu.



**Important:**

Select **2.5** only if print results are still smudged when **2.0** is selected. Choosing a larger gap than required may result in ink stains inside the printer, reduced print quality, or shorter product life.

## Basic Operations

### Head Alignment

Select **Head Alignment** to realign the print head when print results seem grainy or out of focus.

For Head Alignment, you need to check the pattern and enter the optimum adjustment value for alignment.

See the following for details

 [“Correcting Print Misalignment \(Head Alignment\)” on page 67](#)

### Heating & Drying(SC-F7200/SC-F7100 Series only)

Set the temperature of the after heater or Drying Time Per Pass.

**Note:**

*Adjust Heater Temperature as follows:*

- Set the heater to the temperatures recommended in the documentation provided with the media, if available.
- Raise the temperature if the print results are blurred or smudged or the ink clots. Note, however, that raising the temperature too high can cause the media to shrink, wrinkle, or deteriorate.

**1** Use the ▼/▲ buttons to select **Heating & Drying** and press the OK button.

**2** Use the ▼/▲ buttons to select the item you want to change.

#### Heater Temperature

- (1) Select **Heater Temperature** and press the OK button.
- (2) Use the ▼/▲ buttons to set the after heater temperature.

#### Drying Time Per Pass

Select the time the print head pauses to allow ink to dry after each pass.

- (1) Use the ▼/▲ buttons to select **Drying Time Per Pass** and press the OK button.

- (2) Use the ▼/▲ buttons to set the drying time.

When you want to maintain a constant drying time even when the print width changes, set the following value in accordance with the media width.

#### Drying Time Guidelines by Media Width

Media width	Drying time (seconds)
162.56 cm	2.3
132.08 cm	2.0
111.76 cm	1.8
106.68 cm	1.7
91.44 cm	1.6
60.96 cm	1.3

#### Blank Area Feed

- (1) Use the ▼/▲ buttons to select **Blank Area Feed** and press the OK button.
- (2) Use the ▼/▲ buttons to select the desired setting.

The following section shows the recommended setting values for **Blank Area Feed** according to the Number of passes.

#### Recommended setting values for Blank Area Feed

Number of passes	Blank Area Feed
1	Mode 1
2 to 4	Mode 2
6 to 8	Mode 3

The lower the mode value, the faster the blank areas in the print data feed. Because of this, the ink may not have time to fully dry due to the mode value settings.

#### After Heater Feed

- (1) Use the ▼/▲ buttons to select **After Heater Feed** and press the OK button.



## Basic Operations

- (2) Use the ▼/▲ buttons to select whether to feed media to the after heater after printing (**On/Off**).

- 3** After finishing the configuration, press the **OK** button.
- 4** Press the ⏪ button twice to return to the customize settings menu.

### Drying (SC-F7000 Series only)

Allows you to set the drying time per pass.

- 1** Use the ▼/▲ buttons to select **Drying** and press the **OK** button.
- 2** Select **Drying Time Per Pass** and press the **OK** button.

When you want to maintain a constant drying time even when the print width changes, set the following value in accordance with the media width.

#### Drying Time Guidelines by Media Width

Media width	Drying time (seconds)
162.56 cm	2.3
132.08 cm	2.0
111.76 cm	1.8
106.68 cm	1.7
91.44 cm	1.6
60.96 cm	1.3

- 3** Use the ▼/▲ buttons to change the time in increments of 0.1 seconds.
- 4** After finishing the configuration, press the **OK** button.
- 5** Press the ⏪ button twice to return to the customize settings menu.

### Media Suction

While printing, the printer uses suction to maintain the correct distance between the media and the print head; the amount varies with the type of media. Less suction is used for thin media that would not print or feed correctly at high levels of suction.

The suction power is weakened when the parameter is lowered.

- 1** Use the ▼/▲ buttons to select **Media Suction** and press the **OK** button.
- 2** Use the ▼/▲ buttons to choose a value.
- 3** After finishing the configuration, press the **OK** button.
- 4** Press the ⏪ button to return to the customize settings menu.

### Head Movement

Choose the range in which the print head moves during printing.

- 1** Use the ▼/▲ buttons to select **Head Movement** and press the **OK** button.
- 2** Use the ▼/▲ buttons to select the desired setting and press the **OK** button.  
  
For faster printing, select **Data Width**.  
  
For even, high-quality printing, select **Printer Full Width**.
- 3** Press the ⏪ button to return to the customize settings menu.

### Multi-Strike Printing

Choose the number of times each line is printed.

- 1** Use the ▼/▲ buttons to select **Multi-Strike Printing** and press the **OK** button.
- 2** Use the ▼/▲ buttons to choose a value.



## Basic Operations

**3** After finishing the configuration, press the OK button.

**4** Press the ⏪ button to return to the customize settings menu.

### Roll Type

Choose **Printable Side Out** or **Printable Side In** according to how the media is rolled.

**1** Use the ▼/▲ buttons to select **Roll Type** and press the OK button.

**2** Use the ▼/▲ buttons to select the desired setting and press the OK button.

**3** After finishing the configuration, press the OK button.

**4** Press the ⏪ button to return to the customize settings menu.

### Tension Measurement

**Periodically** is recommended in most circumstances. Off is displayed for the SC-F7000 Series only. Choose **Off** if slack develops in the media or other printing problems occur.

**1** Use the ▼/▲ buttons to select **Tension Measurement** and press the OK button.

**2** Use the ▼/▲ buttons to select the desired setting and press the OK button.

**3** After finishing the configuration, press the OK button.

**4** Press the ⏪ button to return to the customize settings menu.

### Feeding Tension (SC-F7200/SC-F7100 Series only)

**Feeding Tension** has 2 settings: **Auto** and **Manual**. The default setting of **Auto** is recommended in most situations. We recommend setting **Manual** in the following situations, and then changing the setting value. The tension increases as the set value increases.

#### When the media creases while printing

Set a larger value than the recommended values in the following table depending on the media width you loaded.

#### When banding (horizontal banding, tint unevenness, or stripes) appears at irregular intervals in printing results.

Set a smaller value than the recommended values in the following table depending on the media width you loaded.

#### When the Media Size Check is set to Off

Set the Feeding Tension value as shown in the following table depending on the media width you loaded.

Media width	Feeding Tension value
162.56 cm	Lv28
132.08 cm	Lv23
111.76 cm	Lv19
106.68 cm	Lv19
91.44 cm	Lv16
60.96 cm	Lv11

If you have previously performed Feed Adjustment, you will need to perform it again after adjusting Feeding Tension.

 [“Feed Adjustment” on page 62](#)

**1** Use the ▼/▲ buttons to select **Feeding Tension** and press the OK button.

**2** Use the ▼/▲ buttons to select the item you want to change.

#### Selecting Auto

(1) Select **Auto** and press the OK button.

(2) Confirm that the checkbox has been selected and press the OK button.

(3) Press the ⏪ button to return to the customize settings menu.

#### Selecting Manual

(1) Select **Manual** and press the OK button.

## Basic Operations

- (2) Use the ▼/▲ buttons to set the recommended value.
- (3) After finishing the configuration, press the OK button.
- (4) Press the ⌂ button twice to return to the customize settings menu.

### Take-up Tension (SC-F7200/SC-F7100 Series only)

Take-up Tension has 2 settings: Auto and Manual.

The default setting of **Auto** is recommended in most situations. If media wrinkles when printing, or white banding (white or light lines) appears in the print results, we recommend using **Manual** and setting the value to lower than Lv3. Make the same settings if ink adheres to the back of the take-up roll. If thick media cannot be wound correctly, we recommend using **Manual** and setting the value to higher than Lv3. The tension increases as the set value increases.

If you have previously performed Feed Adjustment, you will need to perform it again after adjusting Take-up Tension.

 [“Feed Adjustment” on page 62](#)

- 1** Use the ▼/▲ buttons to select **Take-up Tension** and press the OK button.
- 2** Use the ▼/▲ buttons to select the item you want to change.

#### Selecting Auto

- (1) Select **Auto** and press the OK button.
- (2) Confirm that the checkbox has been selected and press the OK button.
- (3) Press the ⌂ button to return to the customize settings menu.

#### Selecting Manual

- (1) Select **Manual** and press the OK button.
- (2) Use the ▼/▲ buttons to set the recommended value.

- (3) After finishing the configuration, press the OK button.
- (4) Press the ⌂ button twice to return to the customize settings menu.

### Media Tension (SC-F7000 Series only)

We recommend setting **Media Tension** to the value below that complies the width of the loaded media. The value depends on the **Tension Measurement** setting.

A: Value of Media Tension (when Tension Measurement is Periodically/Every Page)

B: Value of Media Tension (when Tension Measurement is Off)

#### Recommended values for Media Tension by media width

	64	52	44	42	36	24
A	Lv28	Lv23	Lv19	Lv19	Lv16	Lv11
B	Lv39	Lv32	Lv27	Lv26	Lv22	Lv15

If you have previously performed Feed Adjustment, you will need to perform it again after adjusting Media Tension.

 [“Feed Adjustment” on page 62](#)

- 1** Use the ▼/▲ buttons to select **Media Tension** and press the OK button.
- 2** Use the ▼/▲ buttons to choose a value.
- 3** After finishing the configuration, press the OK button.
- 4** Press the ⌂ button to return to the customize settings menu.

## Basic Operations

### Feed Speed

Auto is displayed for the SC-F7200 and SC-F7100 Series only. The default setting for the SC-F7200 and SC-F7100 Series is Auto. The default setting for the SC-F7000 Series is Lv2. The manufacturer default set value is recommended in most circumstances. Set **Lv1** if thin media is creased or torn or sticks together or horizontal lines appear during printing. To increase the printing speed, set **Lv2**. Note that the speed does not change when a large number (of passes) was selected.

- 1 Use the ▼/▲ buttons to select **Feed Speed** and press the OK button.
- 2 Use the ▼/▲ buttons to select the desired setting and press the OK button.
- 3 After finishing the configuration, press the OK button.
- 4 Press the ⏪ button to return to the customize settings menu.

### Prevent Sticking (SC-F7200 Series only)

We generally recommend to operate with this setting set to **Off**. If the printer is turned on or printing starts while the media is stuck to the platen, the media is not fed correctly and could cause a jam. In that case, set to **On** although operations take longer before printing or reactivating.

- 1 Use the ▼/▲ buttons to select **Prevent Sticking**, and then press the OK button.
- 2 Use the ▼/▲ buttons to select **On** or **Off**.
- 3 After finishing the configuration, press the OK button.

### Exiting the Menus

Press II·⏪ to exit the menus.

## Correcting Print Misalignment (Head Alignment)

Given that there is a slight gap between the print head and the media, the landing sites for the different colors of ink may be affected by humidity, temperature, inertial forces imparted by the print head, or the direction of the print head as it moves from right to left or left to right. As a result, print results may appear grainy or out of focus. When this happens, perform **Head Alignment** to correct the print misalignment.

The thickness of the media determines the distance between the media and the print head. **Head Alignment** values can be stored separately for each type of media. Stored values can be recalled instantly the next time the media is used.

Head Alignment can perform the following two types of adjustments.

#### For bidirectional printing

Select **Manual (Bi-D)**. If the graininess or misalignment is not improved after performing **Manual (Bi-D)**, perform **Manual (Uni-D)**.

#### For unidirectional printing

Perform **Manual (Uni-D)**.

For Head Alignment, you need to check the pattern and enter the optimum adjustment value for alignment.

#### Notes on correct adjustment

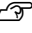
The condition of media is important for correct head alignment.

Observe the following points when loading media.

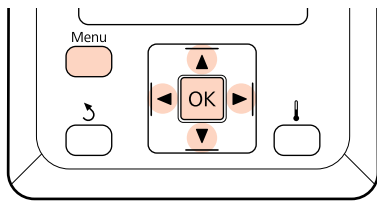
- ❑ Head Alignment varies with the media being used. Load and adjust the media that will be used in the actual print job.

## Basic Operations

- ❑ Pull the media to the prescribed position before performing Head Alignment. Correct adjustment may not be possible if the media is not pulled sufficiently because the condition of the leading edge of the media may worsen due to waves or other issues.

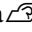
Loading Media  “Loading and Exchanging Media” on page 30

Buttons that are used in the following settings



- 1 Confirm that the media has been pulled to the prescribed position.

Correct adjustment may not be possible if the media is not pulled sufficiently.

Loading Media  “Loading and Exchanging Media” on page 30

- 2 After confirming that the printer is ready, press the **Menu** button.

The settings menu will be displayed.

- 3 Select **Media Setup** and press the OK button.

- 4 Use the ▼/▲ buttons to select **Customize Settings** and press the OK button.

- 5 Use the ▼/▲ buttons to select a media setting bank number between 1 and 30 and then press the OK button.

Note that any settings already saved in the printer will be overwritten.

- 6 Use the ▼/▲ buttons to select **Head Alignment** and press the OK button.

- 7 Use the ▼/▲ buttons to select **Manual (Uni-D)** or **Manual (Bi-D)** and press the OK button.

- 8 The printer will print a test pattern.

When printing is complete, the media will automatically be fed to a position where the pattern is clearly visible.

Cut the media if necessary.

 “Cutting Media” on page 44

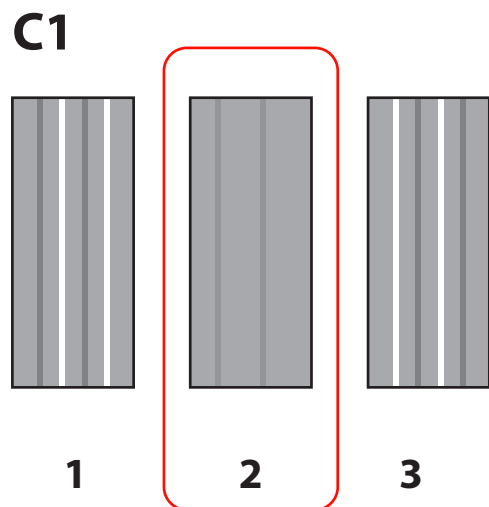
**Note:**

To rewind the media, press ▲. Stop rewinding before the media is past the cutter groove (on the pressure roller side).

If the leading edge of the media is curled, stop rewinding before the media reaches the inner side of the front cover.

- 9 Check the pattern and select the pattern number that has the least gaps.

In the following example, this would be pattern number 2.



- 10 When C1 is displayed on the control panel, select the number recorded in Step 9.

**For the SC-F7200/SC-F7100 Series**

Use the ◀▶ buttons to select the number and press the OK button.

**SC-F7000 Series**

Use the ▼/▲ buttons to select the number and press the OK button.

## Basic Operations

- 11 Select the numbers for all colors and press OK.

**Note:**

To rewind the media, press the ▲ button. Stop rewinding before the media is past the cutter groove (on the pressure roller side).

If the leading edge of the media is curled, stop rewinding before the media reaches the inner side of the front cover.

- 12 If the final color has been configured, the printer returns to a ready state.

## Feed Adjustment

**Feed Adjustment** is used to correct banding (horizontal banding, lines, or strips of uneven color).

Two methods are available for Feed Adjustment:

- ❑ Visually inspect print results and enter a correction by hand.
- ❑ Enter a correction during printing and inspect the results.

**Notes on correct adjustment**

The condition of media is important for correct Feed Adjustment.

Observe the following points when loading media.

- ❑ **Feed Adjustment** varies with the media used. Load the media for which feed adjustment is required under the same conditions as the actual print job. For example, if you are using the Auto Take-up Reel Unit for printing, the Auto Take-up Reel Unit should also be used for feed adjustment.
- ❑ We recommend performing adjustment again in the following cases, even if the media has been adjusted.
  - ❑ When the media type is the same but the width is different.
  - ❑ When the following settings have been changed: Feeding Tension\*1, Take-up Tension\*1, Media Tension\*2

- ❑ When Media Suction has been changed.

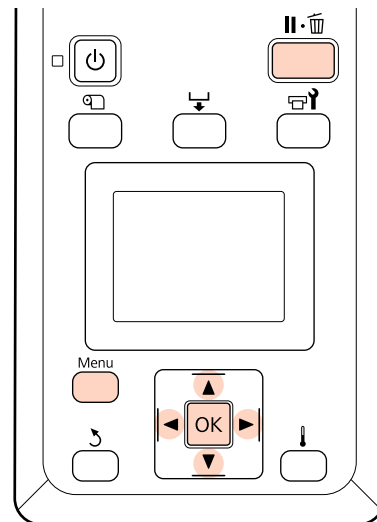
\*1: SC-F7200 and SC-F7100 Series only; \*2: SC-F7000 Series only

- ❑ Pull the media to the prescribed position before performing Feed Adjustment. Correct adjustment may not be possible if the media is not pulled sufficiently because the condition of the leading edge of the media may worsen due to waves or other issues.

Loading Media  [“Loading and Exchanging Media” on page 30](#)


## Using a Test Pattern

Buttons that are used in the following settings



- 1 Confirm that the media has been pulled to the prescribed position.

Correct adjustment may not be possible if the media is not pulled sufficiently.

Loading Media  [“Loading and Exchanging Media” on page 30](#)

- 2 After confirming that the printer is ready, press the **Menu** button.

The settings menu will be displayed.

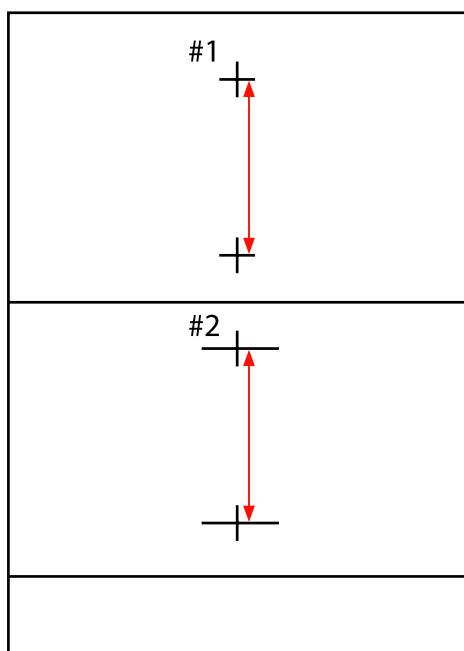
- 3 Select **Media Setup** and press the OK button.

## Basic Operations

- 4 Use the ▼/▲ buttons to select **Customize Settings** and press the OK button.
  - 5 Use the ▼/▲ buttons to select a media setting bank number between 1 and 30 and then press the OK button.
- Note that any settings already saved in the printer will be overwritten.
- 6 Use the ▼/▲ buttons to select **Feed Adjustment** and press the OK button.
  - 7 Select **Manual** and press the OK button.
  - 8 Use the ▼/▲ buttons to select a test pattern and press the OK button twice.

The longer the pattern, the more accurate the adjustment.

- 9 The printer will print a test pattern.  
When printing is complete, the media will automatically be fed to a position where the pattern is clearly visible.
- 10 Measure the distance between the “+” symbols.  
Two types are printed. Be sure to measure and adjust for both because the different speed is applied to both print patterns #1 and #2.



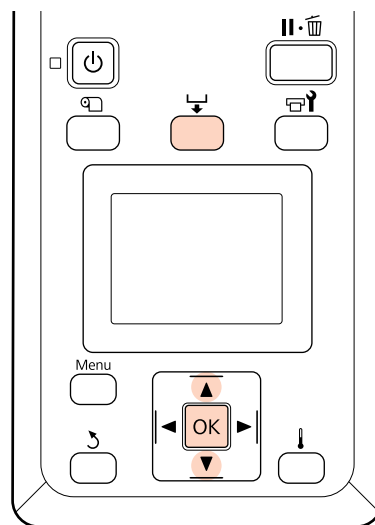
- 11 Pattern length is displayed in the control panel. Select the values measured in Step 10.  
Use the ◀/▶ buttons to select the number of #1 and press the OK button. Use the ◀/▶ buttons to select the number of #2 and press the OK button.
- 12 If configuration is finished, the printer returns to a ready state.

## Changing Settings During Printing

Feed Adjustment and Heating & Drying can be changed during printing using the procedures shown below. Heating & Drying is only available for the SC-F7200 and SC-F7100 Series.

### Feed Adjustment

Buttons that are used in the following settings



- 1 Press the ⏹ button during printing.
- 2 An adjustment value will be displayed. Use the ▼/▲ buttons to select a value.  
If the feed amount is too small, black bands (dark stripes) will appear; adjust the feed amount upwards.

## Basic Operations

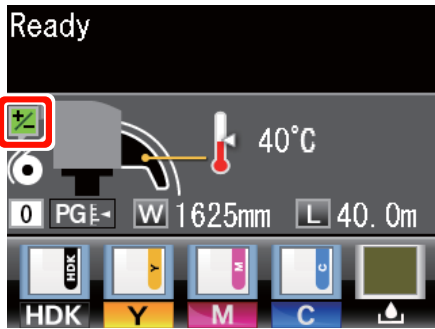
If, in contrast, the feed amount is too large, white bands (pale stripes) will appear; adjust the feed amount downwards.

- 3 If you are not satisfied with the results, use the ▼/▲ buttons to enter an adjustment value.
- 4 Press the OK button when settings are complete.

**Note:**

If the setting is changed, the icon is displayed on the control panel display as shown below. To clear this icon, carry out the following operations.

- ❑ Perform **Feed Adjustment** again
- ❑ Execute **Restore Settings**



## Heating & Drying

Change the after heater temperature during printing.

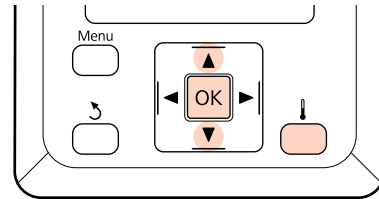
The default Heater Temperature is 55 °C.

Heater status can be viewed in the control panel. [☞](#) [“Understanding the Display” on page 20](#)

**Note:**

- ❑ Temperature settings can be stored separately for each media type. [☞](#) [“Saving Optimal Settings for the Current Media \(Print Media Settings\)” on page 61](#)
- ❑ The time needed for the heaters to reach the specified temperatures varies with the ambient temperature.

Buttons that are used in the following settings



- 1 Press the button during printing.
- 2 Use the ▼/▲ buttons to change the temperature.
- 3 After finishing the configuration, press the OK button.

**Basic Operations**

# Printable Area

The gray area in the illustration below shows the printable area. The arrow indicates the feed direction.

**The left and right edges of media recognized by the printer varies as shown below according to the Media Size Check settings.**

**On** : The printer automatically detects the left and right edges of the loaded media.

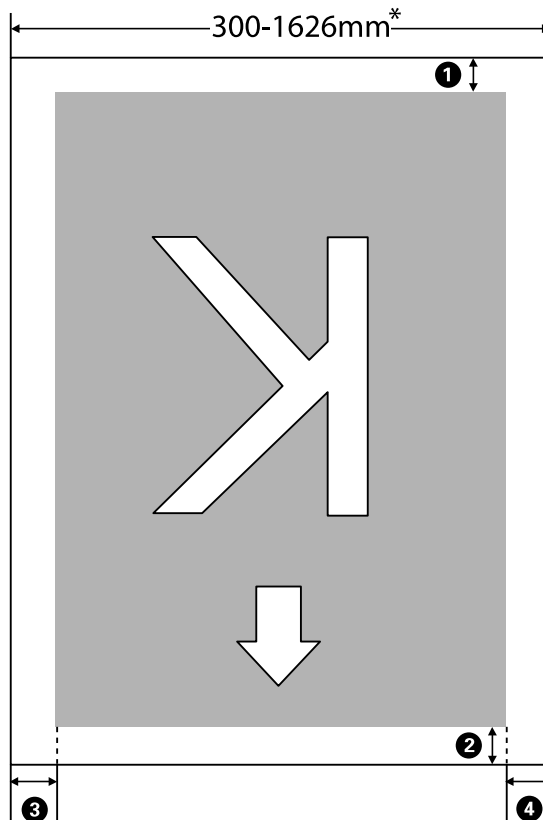
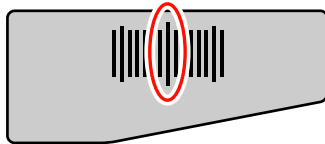
When media holding plates are attached, within 5mm of the left and right edges of the media is recognized as the media edge.

The edges of the media are not detected correctly if the media holding plates are not attached correctly.

[☞ “Loading Media \(SC-F7200/SC-F7100 Series\)” on page 30](#)

[☞ “Loading Media \(SC-F7000 Series\)” on page 37](#)

**Off** : The longest scale on the after heater's label (in the illustration below) is used as the standard position for the right edge of the media. Regardless of the width of the loaded media, the left edge of the media is determined to be 1,626 mm (64 inches) from the standard position for the right edge.





## Basic Operations

\* When Media Size Check is set to **Off**, this is 1,626 mm (64 inches) regardless of the width of the loaded media.

**① to ④ indicates the margins on all four sides. See the following for more details.**

Margin Position	Explanation	Available Setting Range
① Rear* <sup>1</sup>	This can be set in RIP. To maintain media feeding accuracy, if the setting is less than 5 mm the setting is switched to 5 mm.	5 mm or more
② Top* <sup>1, *2</sup>	This can be set in RIP. Differs by the length the media was pulled when the media is loaded. For continuous printing, although the margins set in RIP are added, to maintain media feeding accuracy, if the setting is less than 5 mm the setting is switched to 5 mm. However, when printing in a specific print mode for the SC-F7200 Series, the following margins are set.  360 x 720 2pass: 19 mm 360 x 720 3pass: 21 mm	5 mm or more
③ Left* <sup>3, *4</sup>	The value selected for Side Margin(Left) in the printer's setup menu. The default setting is 5 mm.	3 to 25 mm
④ Right* <sup>3, *4</sup>	The total of the values selected for Print Start Position and Side Margin(Right) in the printer's setup menu. The default setting for Print Start Position is 0 mm and Side Margin(Right) is 5 mm.	3 to 825 mm

\*1 The set margin and the actual print results may differ depending on the RIP being used. Contact the RIP manufacturer for more information.

\*2 When **No Margin** is selected in **Margin Between Pages** from the printer's settings menu, you can adjust the margin within a range of -10 to 10 mm. **Margin Between Pages** is only available for the SC-F7200 Series.

\*3 This may be available in the RIP depending on the RIP software being used. Contact the RIP manufacturer for more information.

\*4 Note the following points when setting margins.

- Leave margins of 10 mm or more when using media holding plates. Narrower margins could result in printing over the plates.
- If the total of the print data width and set left and right margins exceeds the printable area, a portion of the data will not be printed.

**Note:**

If the following points are not observed when Media Size Check is **Off**, printing may occur outside the left and right edges of the media. Ink used outside the edges of the media will stain the inside of the printer.

- Ensure that the print data width does not exceed the loaded media width.
- When media is loaded to the left of the right side reference position, align the **Print Start Position** setting with the position where the media set.

 ["Printer Setup Menu" on page 115](#)

Maintenance

# Maintenance

## When to Perform Various Maintenance Operations

It is necessary to perform proper maintenance at appropriate frequency to maintain print quality. Failure to perform appropriate maintenance will shorten product life. Read this section and perform maintenance appropriately.

### Cleaning

If the print quality declines, clean the printer. If cleaning is neglected, and the printer is used with ink stains, lint, and dust attached, the following trouble may occur.

- Ink drops from lint or dust on the nozzle surface of the print head.



- Clogged nozzles during printing.
- Nozzle clogs cannot be cleared even after repeated head cleaning.
- Print head damage.

When to perform	Component to be cleaned
<ul style="list-style-type: none"> <li><input type="checkbox"/> When print quality declines</li> <li><input type="checkbox"/> When colors in the printout are faint or missing even after performing head cleaning a few times</li> <li><input type="checkbox"/> When the printout is smudged or not clear</li> </ul>	<ul style="list-style-type: none"> <li><input type="checkbox"/> Around the print head  <a href="#">↗ "Cleaning Around the Print Head" on page 78</a></li> <li><input type="checkbox"/> Wiper  <a href="#">↗ "Cleaning Wiper and Attachment Point" on page 80</a></li> <li><input type="checkbox"/> Caps  <a href="#">↗ "Cleaning the Caps" on page 81</a></li> </ul>
When ink and particles of the media and lint from the media accumulate on the platen, pressure rollers, and media holding plates	Platen, pressure rollers, media holding plates <a href="#">↗ "Cleaning the Platen, Pressure Rollers, and Media Holding Plates" on page 83</a>

**Maintenance**

**Replacing and Refilling Consumables**

When to perform	When to replace or refill
When an ink low warning is displayed on the control panel display, and the amount of ink remaining is less than 70 mm	Chip unit and ink pack <a href="#">☞ "Chip Unit Replacement and Ink Refills" on page 85</a>
When a prepare and replacement message is displayed on the control panel display	Waste Ink Bottle <a href="#">☞ "Disposing of Waste Ink" on page 91</a>
<ul style="list-style-type: none"> <li><input type="checkbox"/> If the printout is faint or smudged, or segments are missing even after cleaning</li> <li><input type="checkbox"/> When ink adheres to the absorber on the back of the wiper cleaner</li> <li><input type="checkbox"/> When wipers are worn or deteriorated</li> </ul>	<ul style="list-style-type: none"> <li><input type="checkbox"/> Wiper cleaner, wiper Be sure to replace the wiper cleaner and the wiper at the same time. <a href="#">☞ "Replacing the Wiper Cleaners and Wipers" on page 93</a></li> </ul>
When the plates are deformed or damaged.	Media holding plate <a href="#">☞ "Replacing the Sliding Media Holding Plates" on page 95</a>

**Other Maintenance**

When to perform	Type
Once a week	Stirring High Density Black ink <a href="#">☞ "Stirring High Density Black ink" on page 98</a>
<ul style="list-style-type: none"> <li><input type="checkbox"/> When checking if nozzles are clogged</li> <li><input type="checkbox"/> When checking which colors are clogged</li> <li><input type="checkbox"/> Horizontal stripes or tint unevenness (banding) are appeared.</li> </ul>	<p>Print a check pattern and check which color nozzles are missing.  <a href="#">☞ "Checking for Clogged Nozzles" on page 99</a></p> <p>If no nozzles are clogged, see "Problem Solver" and "Horizontal stripes or tint unevenness (banding)" for other solutions.  <a href="#">☞ "Horizontal lines or strips of uneven color (banding)" on page 126</a></p>
When a clog is found after checking for clogged nozzles	Head Cleaning <a href="#">☞ "Head Cleaning" on page 100</a>

Maintenance

# Preparation and Notes

## What You'll Need

Ready the following items before beginning cleaning and replacement.

**Protective eyewear (available in the market)**

Protects your eyes from ink and ink cleaner.

**Mask (available in the market)**

Protects your nose and mouth from ink and ink cleaner.

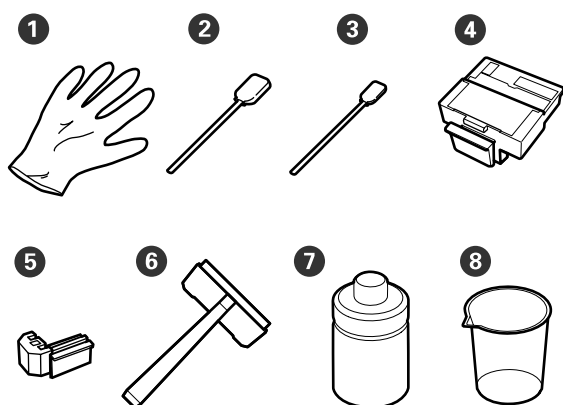
**Maintenance kit (supplied with the printer)**

For general cleaning.

The following items are in the kit.

When the supplied parts have been completely used, purchase new consumables.

 ["Options and Consumable Products" on page 131](#)



①	Glove	2
②	Cleaning Stick (Wide)	25
③	Cleaning Stick (Narrow)	25
④	Wiper cleaner	2
⑤	Wiper	2
⑥	Cleaning wiper	1
⑦	Ink cleaner	1
⑧	Cup	1

**Metal or plastic (PP/PE) tray (available in the market)**

Use when putting cleaning utensils, removed consumables, or ink cleaner moved in the container supplied with the printer.

**Soft cloth, brush (available in the market)**

Use when cleaning inside the printer. We recommend an item that is not likely to generate lint or static electricity.

## Precautions Regarding Maintenance

To make maintenance, note the following points. Be sure to read the Safety Data Sheet before performing maintenance.

You can download it at your local Epson Web site.

 **Caution:**

- ❑ During maintenance, wear protective clothing, including protective eyewear, gloves, and a mask.

*Should ink, waste ink or ink cleaner contact your skin or enter your eyes or mouth, take the following actions:*

- ❑ If fluid adheres to your skin, wash it off using large volumes of soapy water. Consult a physician if the skin appears irritated or is discolored.
- ❑ If fluid enters your eyes, rinse immediately with water. Failure to observe this precaution could result in bloodshot eyes or mild inflammation. If problems persist, consult with a physician.
- ❑ If fluid enters your mouth, consult with a physician as soon as possible.
- ❑ If swallowed, do not induce vomiting. Consult with a physician as soon as possible. If vomiting is induced, vomited material may enter the windpipe, which is dangerous.
- ❑ Store ink packs, waste ink, or ink cleaner in a location out of reach of children.
- ❑ After performing maintenance, wash your hands and gargle thoroughly.

- ❑ Remove the media from the printer before proceeding.

## Maintenance

- ❑ Do not use anything other than the consumable cleaning sticks.  
  
Failure to observe this precaution could result in breakdown or malfunction of the printer, or reduced print quality.
- ❑ Do not use anything other than the supplied or consumable cleaning stick. Other types of stick that produce lint will damage the print head.
- ❑ Always use fresh cleaning sticks. Re-using sticks can make stains even harder to remove.
- ❑ Do not touch the ends of the sticks. Oil from your hands could damage the print head.
- ❑ Do not get alcohol or water on the caps or the nozzle surface. If water or alcohol gets on the nozzle surface, caps, or wiper, this can damage the printer.
- ❑ Touch a metallic object before starting work to discharge any static electricity.

## Moving the Print Head

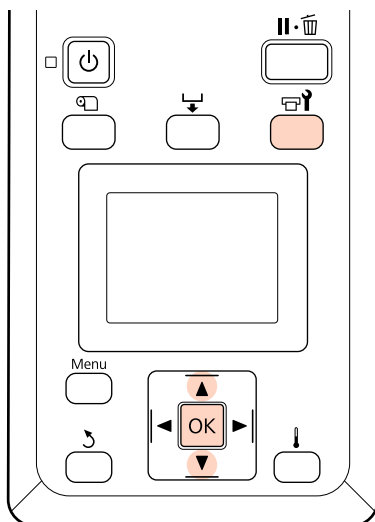
This section describes how to position the print head for part cleaning.



**Important:**

Be sure to follow the steps below when positioning the print head. Moving the print head manually could cause malfunction.

Buttons that are used in the following settings



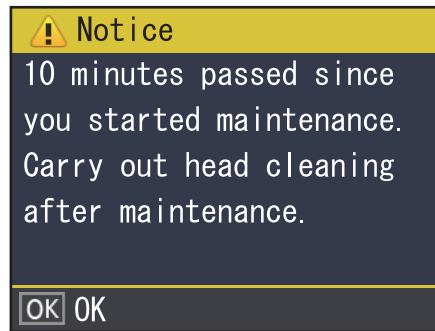
**1** Confirm that the printer is on and press . The Maintenance menu will be displayed.

**2** Use the / buttons to select **Head Maintenance** and press the **OK** button.

The print head moves to the cleaning position.

**Note:**

The buzzer sounds 10 minutes after the print head is moved. Press the **OK** button to continue the cleaning process. After 10 more minutes have passed, the buzzer sounds again.



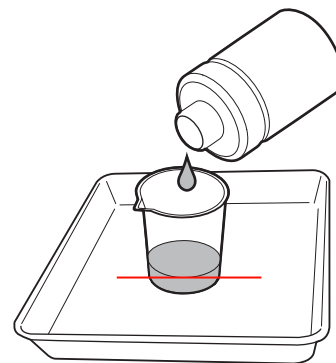
## Using Ink Cleaner

Use Ink Cleaner to clean around the print head, wipers, and wiper attachment point only. Using ink cleaner on other parts of the printer could damage the product.

Before starting this procedure, be sure to read the following:

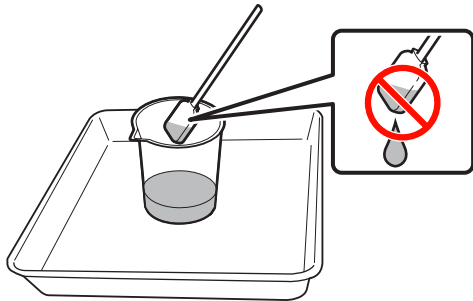
[“Precautions Regarding Maintenance” on page 76](#)

**1** Put the cup supplied with the maintenance kit on the tray, and pour approximately 10 ml of ink cleaner into the cup.



**Maintenance**

- 2** Dampen the cleaning stick with ink cleaner.  
Do not allow ink cleaner to drip from the cleaning stick.



**! Important:**

- ❑ Rinse a cleaning stick using ink cleaner for each step.
- ❑ Do not reuse ink cleaner.
- ❑ Used ink cleaner and cleaning sticks are industrial waste. Dispose of them in the same way as for waste inks.

[🔗 “Disposal of Used Consumables” on page 101](#)

- ❑ Store ink cleaner at room temperature out of direct sunlight.
- ❑ After using the ink cleaner, make sure you close the cap.

**Cleaning**

**Cleaning Around the Print Head**

Inspect the area around the print head and remove any ink, lint, or dust as described below.

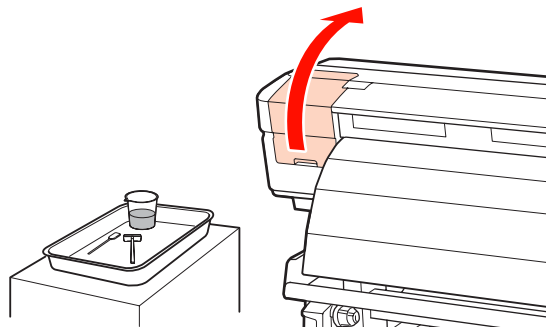
Before starting this procedure, be sure to read the following:

[🔗 “Precautions Regarding Maintenance” on page 76](#)

- 1** Position the print head for maintenance purposes.

[🔗 “Moving the Print Head” on page 77](#)

- 2** After the print head moves to the left end of the printer, open the left maintenance cover.



- 3** Dampen the cleaning stick (wide) with ink cleaner.

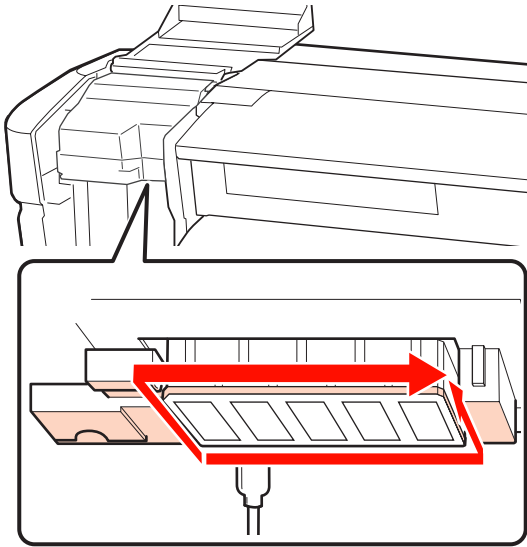
Use new cleaning stick and ink cleaner.

[🔗 “Using Ink Cleaner” on page 77](#)

- 4** Wipe off any adhered ink, lint, and dust from the parts that are indicated by  below.

**! Important:**  
Do not touch the parts framed below. Failure to observe this precaution could affect print quality.


**Maintenance**

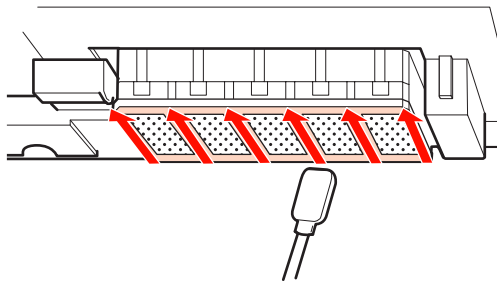


Ink is prone to adhere to the areas indicated by the arrows, so be sure to wipe off any ink found.

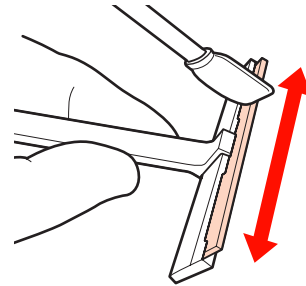
If any lint or dust is caught, hook it using the tip of a cleaning stick.

- 5** Apply ink cleaner to the areas indicated by the arrows to dissolve adhered ink stains.

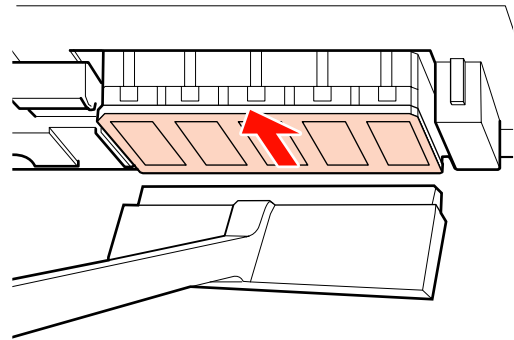
**! Important:**  
 When applying ink cleaner, make sure you do not press too hard on the nozzles (parts indicated by  shown below). Also, make sure you move the cleaning stick in one direction; do not move it back and forth.



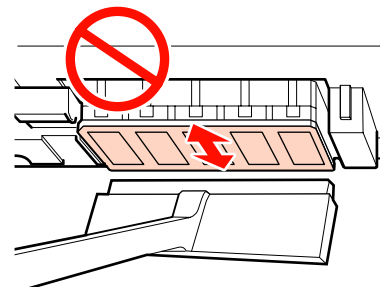
- 6** Dampen the cleaning stick (wide) with the ink cleaner, then wipe away any dust and dirt on the front, back, and sides of the wiper blade.



- 7** Wipe away ink stains and so on from the print head surface by moving the cleaning wiper from the inside toward you once.

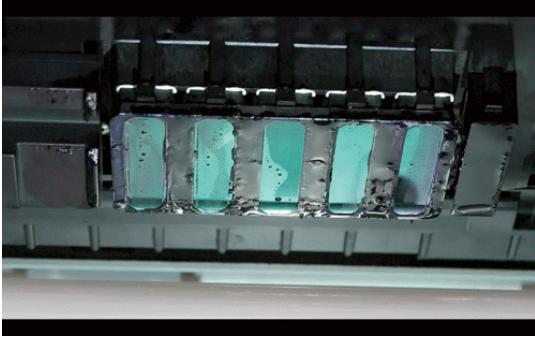


**! Important:**  
 Do not move the cleaning wiper back and forth.  
 Otherwise, the print head may be damaged.



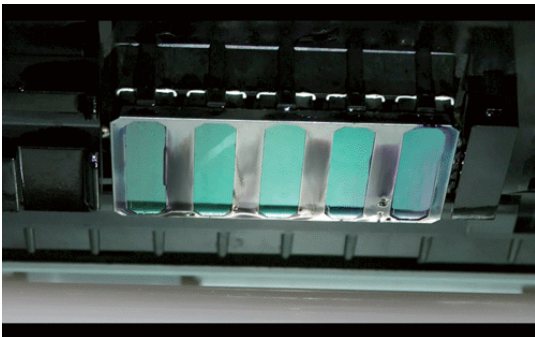
Maintenance

Before cleaning



After cleaning

Dried and adhered ink, lint, and dust are cleanly removed.



If any ink, lint, or dust remain, repeat steps 6 and 7.



**Important:**

*If stains are wiped off while the surface of the print head remains dried, the print head may be damaged. If the surface is dried, return to Step 5 to apply ink cleaner.*

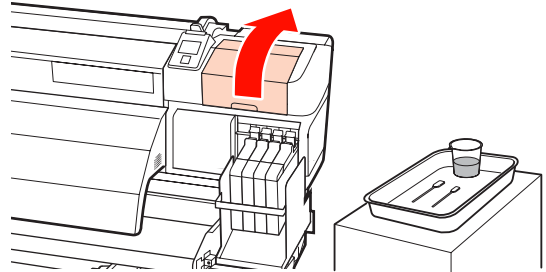
**8** Wipe stains off the cleaning wiper, and store it in a location that is not exposed to dust and away from direct sunlight.

**9** Close the left maintenance cover.

Next, clean the wiper and attachment point.

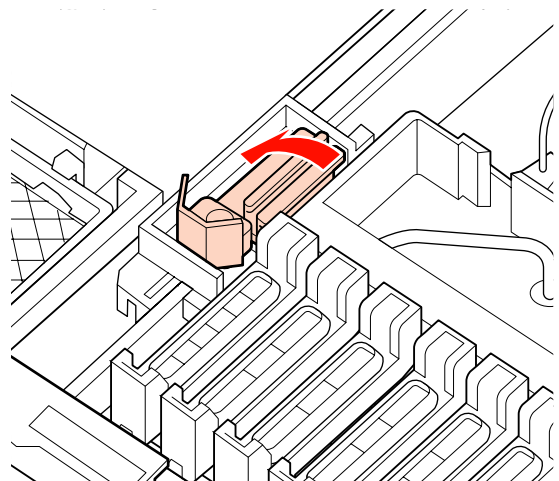
**Cleaning Wiper and Attachment Point**

**1** Open the right maintenance cover.



**2** Remove the wiper.

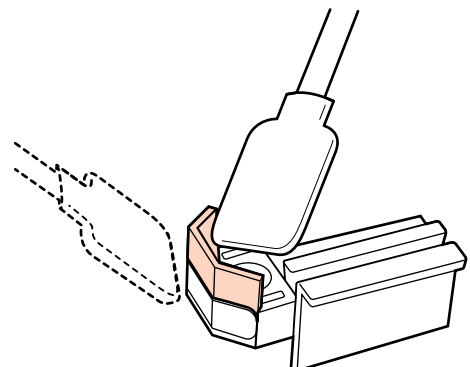
Holding the wiper by the attachment point, tilt it left and lift it out.



**3** Dampen a new cleaning stick (wide) with ink cleaner.

 ["Using Ink Cleaner" on page 77](#)

**4** Clean the front and back of the wiper with the cleaning stick (wide).

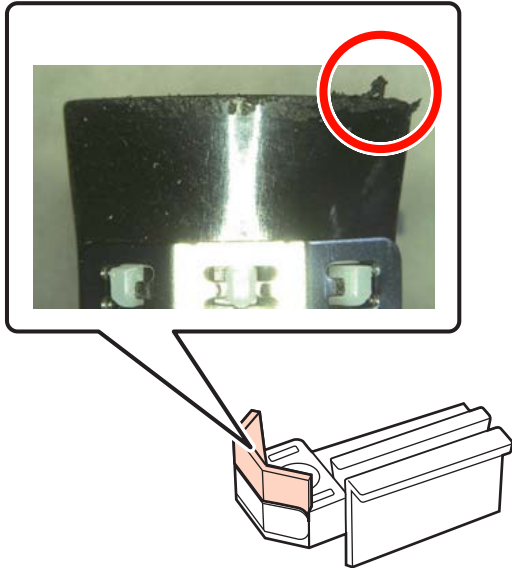




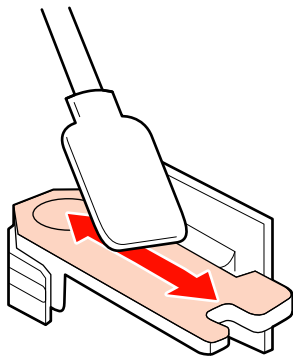
**Maintenance**

If the wiper part has split off or is broken, we recommend replacing it with a new one.

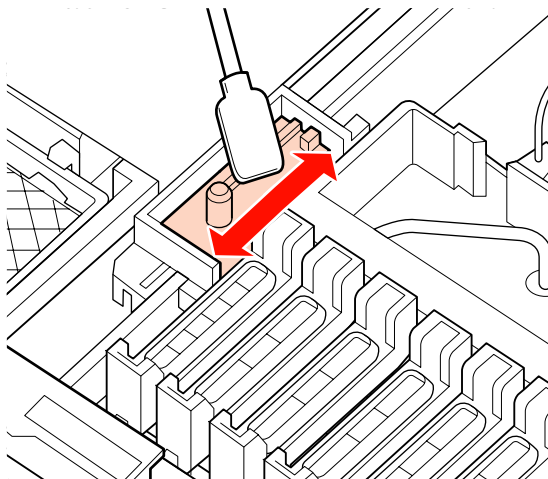
 [“Replacing the Wiper Cleaners and Wipers” on page 93](#)



**5** Clean the bottom of the wiper with the cleaning stick (wide).

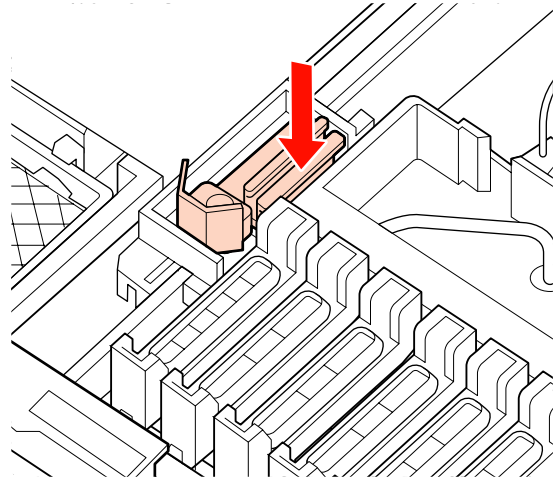


**6** Clean the attachment points with the cleaning stick (wide).



**7** Return the wiper when cleaning is complete.

Place on the attachment point and press down until you hear a click.



Next, clean the caps.

**Cleaning the Caps**

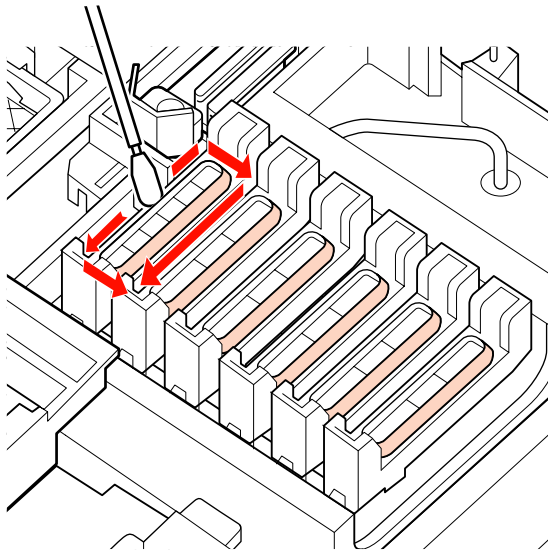
**!** *Important:*  
Do not use ink cleaner when cleaning the caps. Ink cleaner that sticks to them may clog the nozzles.



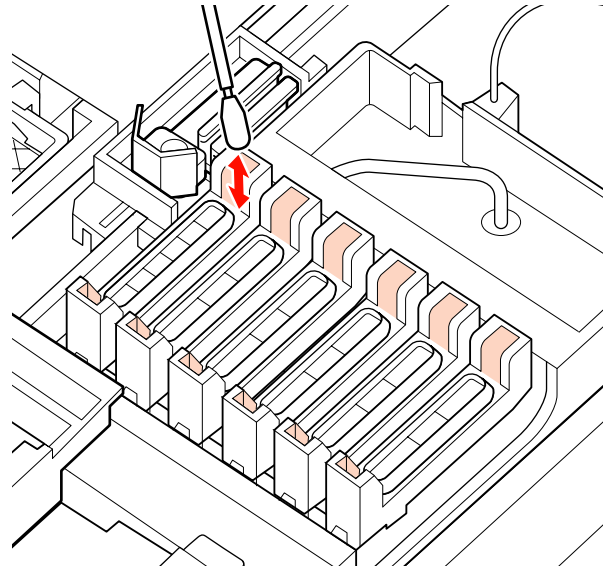
**Maintenance**

- 1** Hold the new, dry cleaning stick (narrow) in a perpendicular orientation, and wipe the outer areas of all the caps.

**!** **Important:**  
 Do not touch the insides of the suction caps. The part maybe deformed, and it may no longer be possible to perform capping correctly.



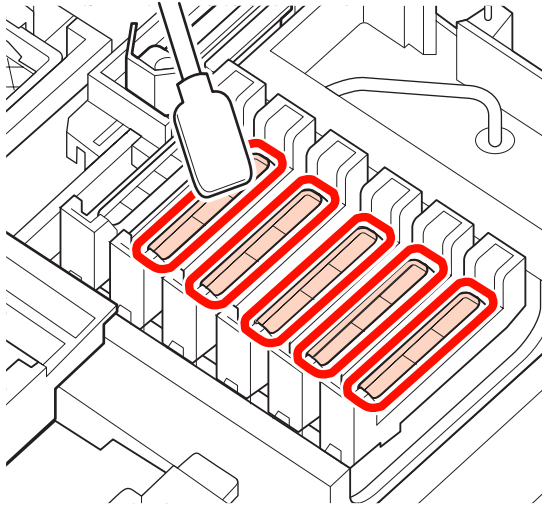
- 2** Wipe off ink that has adhered to the guide section.



- 3** If there is ink stuck to the inside of the anti-drying caps, hold a new, dry cleaning stick (wide) in a perpendicular orientation, and wipe off any ink.

**!** **Important:**  
 Do not touch the insides of the suction caps. The part maybe deformed, and it may no longer be possible to perform capping correctly.

**Maintenance**



**! Important:**  
Continue wiping until they look like the images below. Ink that is left on the inside of the anti-drying caps may cause the nozzles to clog.



- 4** After cleaning, close the right maintenance cover and press the OK button twice.

The menus will close when the print head returns to its normal position.

To continuously make prints, perform **Nozzle Check**.

[“Checking for Clogged Nozzles” on page 99](#)

Disposing of used cleaning sticks

[“Disposal of Used Consumables” on page 101](#)

## Cleaning the Platen, Pressure Rollers, and Media Holding Plates

Ink and particles of the media and lint from the media accumulate on the platen, pressure rollers, and media holding plates. Ink on these surfaces may be transferred to the media. Clean them thoroughly.

**! Caution:**

- ❑ The after heater may be hot; observe all necessary precautions. Failure to observe the necessary precautions could result in burns.
- ❑ Be careful not to trap your hands or fingers when opening or closing the front cover. Failure to observe this precaution could result in injury.

**! Important:**

Do not use ink cleaner when cleaning the platen, high pressure rollers, or media holding plates.

Before starting this procedure, be sure to read the following:

[“Precautions Regarding Maintenance” on page 76](#)

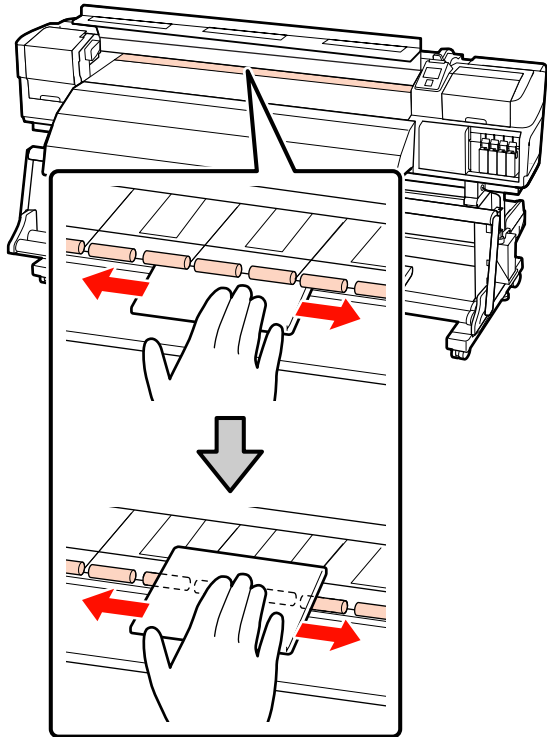
- 1** Make sure the printer is turned off and the screen has turned off, and then unplug the power cable from the outlet.
- 2** Leave the printer for a minute.
- 3** Open the front cover.
- 4** Raise the media loading lever.
- 5** Remove stains on the pressure rollers using a dry, soft cloth.

Slide a dry cloth between the pressure rollers and the platen and over the upper part of the pressure rollers to wipe the area.

**! Important:**

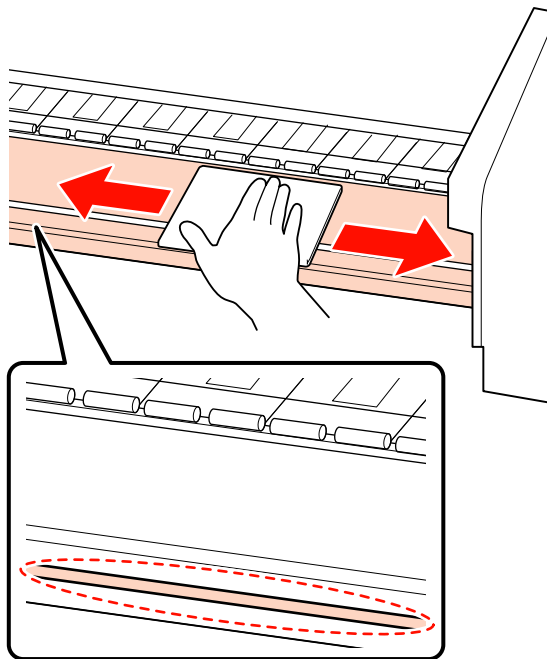
Do not press strongly on the rollers when wiping. This may detach the rollers.

**Maintenance**



**6** Wipe lint, dust, and adhered ink from the platen using a brush or soft cloth that has been soaked in water and squeezed well.

Carefully remove lint and dust stuck in the groove of the platen.



**7** Wipe off the media holding plates using a soft cloth that has been soaked in water.

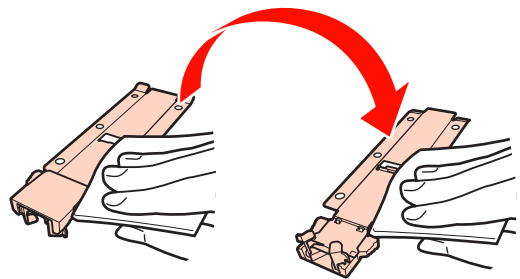
**Sliding media holding plates**

Normally, wipe off any lint and dust that has attached to the surface, without removing the media holding plates.

When media with glue is used or ink has adhered to the surface of the media holding plates, remove the plates, and wipe stains off both the front and rear surfaces.

When stains are removed, be sure to attach the plates to their original positions.

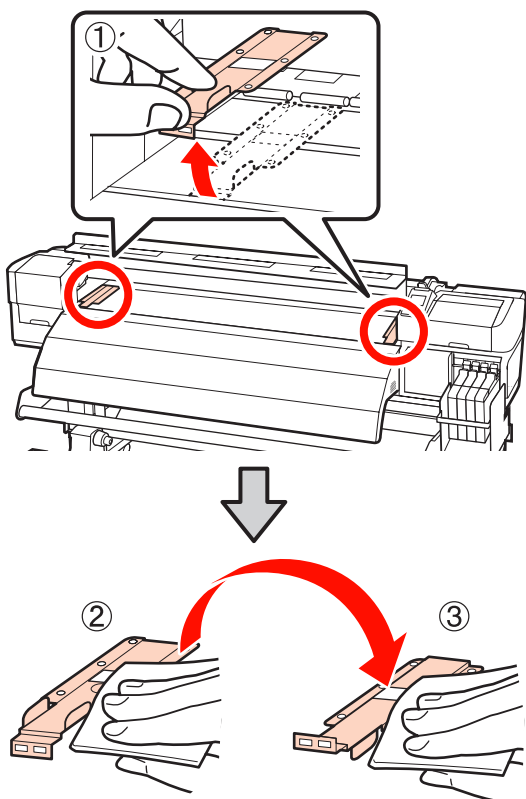
Removing and attaching the media holding plates ↪ [“Replacing the Sliding Media Holding Plates” on page 95](#)



Maintenance

**Insertable media holding plates**

Remove the media holding plates and wipe stains from the front and rear surfaces.



**8** After cleaning, close the front cover.

## Replacing and Refilling Consumables

## Chip Unit Replacement and Ink Refills

### Time Period for Chip Unit Replacements and Ink Refills

If the **Check Ink Levels** message is displayed on the control panel, the chip unit needs to be replaced soon. Obtain an ink pack of the appropriate color as soon as possible.

You will be unable to print if the chip unit for even one color needs to be replaced. If the **Check Ink Levels** message is displayed during a print job, you can replace the chip unit and refill the ink while printing continues.

Ink Packs Compatible with this Printer [“Options and Consumable Products” on page 131](#)

**! Important:**  
 This printer has a remaining ink warning system. Use the following procedure for replacement and ink refills to replace the chip unit and refill the ink correctly.

*This system does not directly detect the amount of ink remaining in the ink tank. Instead, the amount of ink remaining is estimated based on the ink usage conditions and displayed as a message. To maintain the accuracy of this system, you must replace the chip unit and refill the ink as soon as possible once the remaining ink is 70 mm or less from the bottom of the ink tank.*

### Procedure for Replacement and Ink Refills

The refill method differs depending on the type of ink. Use the refill method that matches the type of ink.

Before performing operations, check the “Safety data sheet” and the following notes.


You can download it at your local Epson Web site.

## Maintenance

### **Caution:**

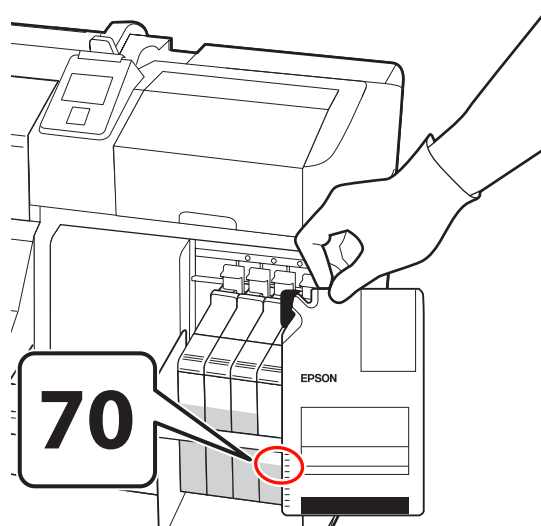
- ❑ Store ink packs in a location out of reach of children.
- ❑ During maintenance, wear protective clothing, including protective eyewear, gloves, and a mask.  
  
Should ink contact your skin or enter your eyes or mouth, take the following actions:
- ❑ If fluid adheres to your skin, wash it off using large volumes of soapy water. Consult a physician if the skin appears irritated or is discolored.
- ❑ If fluid enters your eyes, rinse immediately with water. Failure to observe this precaution could result in bloodshot eyes or mild inflammation. If problems persist, consult with a physician.
- ❑ If fluid enters your mouth, consult with a physician as soon as possible.
- ❑ If swallowed, do not induce vomiting. Consult with a physician as soon as possible. If vomiting is induced, vomited material may enter the windpipe, which is dangerous.
- ❑ Note the following points when refilling ink.
- ❑ Gently tear off the ink pack spout opening.  
If you cut the nozzle too quickly, ink may splatter.
- ❑ Do not squeeze open ink packs. Ink may spill.
- ❑ Gently tilt the ink pack when pouring ink into the ink tank.

### **Important:**

- ❑ Epson recommends the use of genuine Epson ink packs.  
  
Epson cannot guarantee the quality or reliability of nongenuine ink. The use of non-genuine ink may cause damage that is not covered by Epson's warranties, and under certain circumstances, may cause erratic printer behavior.  
  
Information about non-genuine chip unit status may not be displayed, and use of non-genuine ink is recorded for possible use in service support.
- ❑ Genuine Epson ink, other than those specified here, could cause damage that is not covered by Epson's warranties.  
  
 "Options and Consumable Products" on page 131
- ❑ Do not place items on the ink tank or subject the ink tank to strong impacts. The ink tank could be detached.  
  
Contact your dealer or Epson Support.

**1**

If the **Check Ink Levels** message is displayed on the control panel screen, check the ink level in the ink tank via the scale on the ink pack.



**If the remaining ink level is greater than 70 mm from the base of the ink tank:**

We recommend continuing to use the printer until the remaining ink level is 70 mm from the base of the ink tank so that you can use all the ink in a new ink pack to refill the ink tank.



## Maintenance

**If the remaining ink level is 70 mm or less:**  
Proceed to Step 2.



**Important:**

When the remaining ink is 70 mm or more from the bottom of the ink tank and a message appears stating, **Refill Ink Tank**, it is time to replace the ink tank. We recommend replacing the ink tank at this time. Replacements and repairs will be provided for a fee.

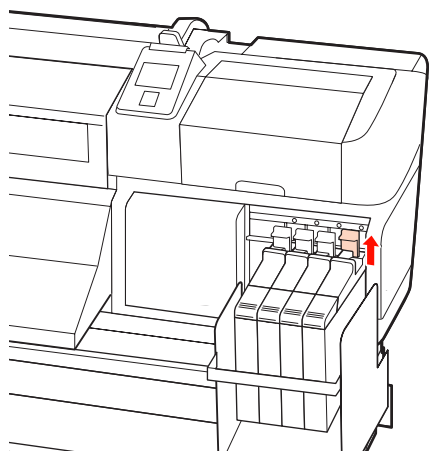
During replacements and repairs, the ink in the ink tank is discarded. This is necessary because fine dirt, dust and other foreign bodies mixed the ink in the ink tank cause the ink tank to malfunction.

The ink tank replacement interval depends on the usage environment and conditions.

Contact your dealer or Epson Support.

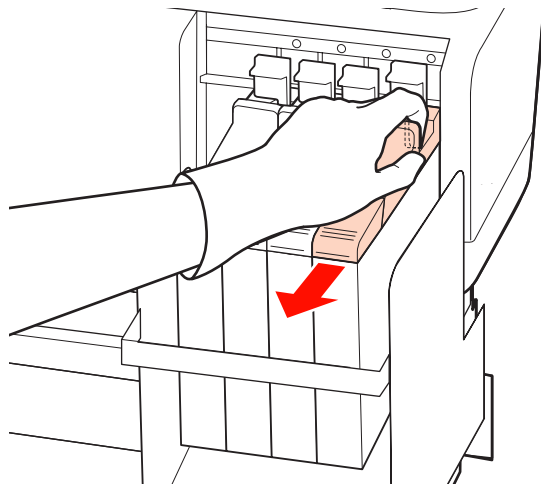
**2**

Lift the lock lever for the slider of the chip unit you intend to replace.



**3**

Insert a finger into the depression on the top of the slider and pull straight outward.

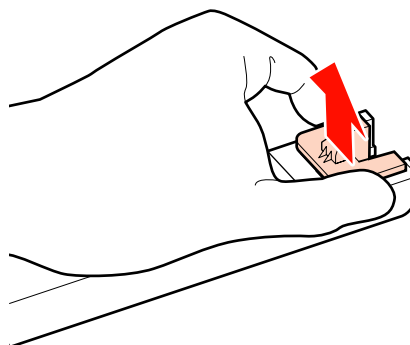


**Important:**

Do not tilt the slider. If the chip unit is dropped it may break.

**4**

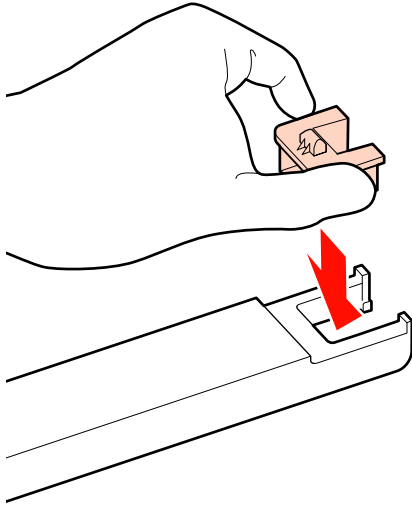
Remove the chip unit from the slider.



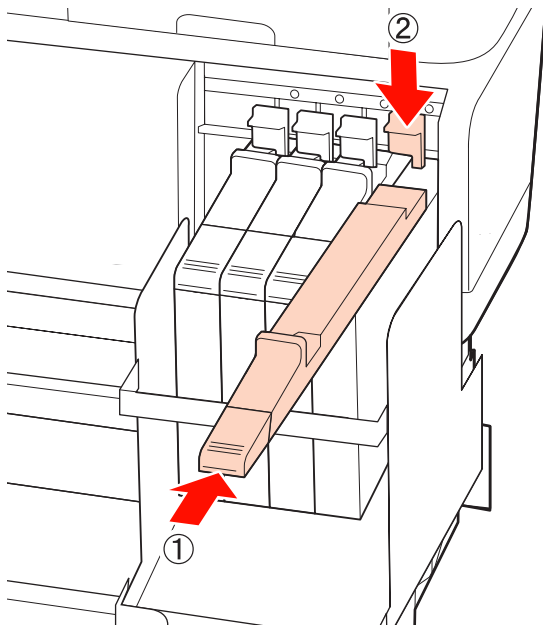
**Maintenance**

- 5** Attach the chip unit supplied with the new ink pack to the slider.

Check to confirm that the color of the label on the slider matches the color of the label on the chip unit when installing.



- 6** Hold the slider level and insert it, then lower the lock lever.

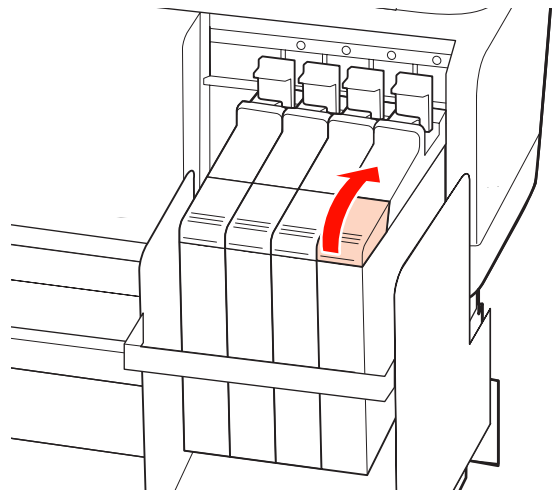


**!** **Important:**  
Do not push the slider in with too much force. Failure to observe this precaution could damage the printer.

- 7** Shake the new ink pack as shown in the illustration horizontally for approximately 5 cm left and right for 5 seconds approximately 15 times.



- 8** Open the slider ink inlet cover.



- 9** Remove the ink inlet cap from the ink tank.

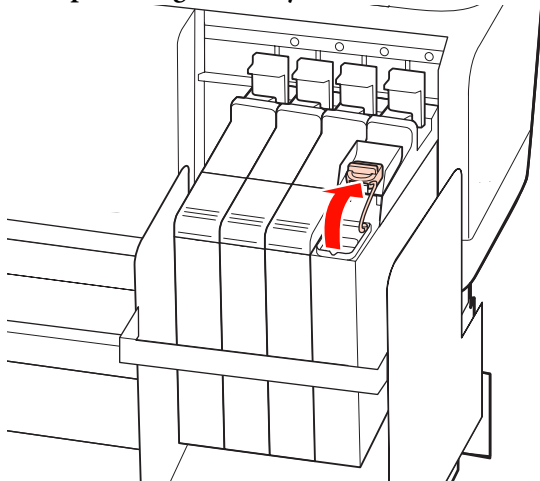
The method for removing the ink inlet cap differs depending on the type of ink being refilled.

**!** **Important:**  
Remove the ink inlet cap slowly. If you remove the cap too quickly, ink may splatter.



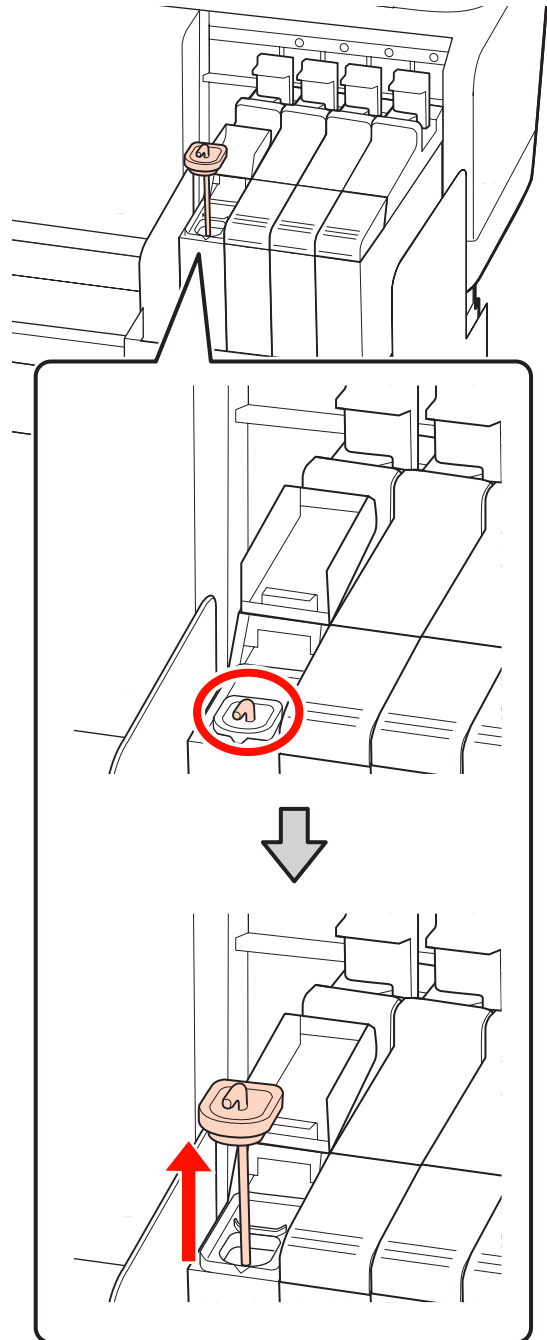
## Maintenance

### Except for High Density Black ink



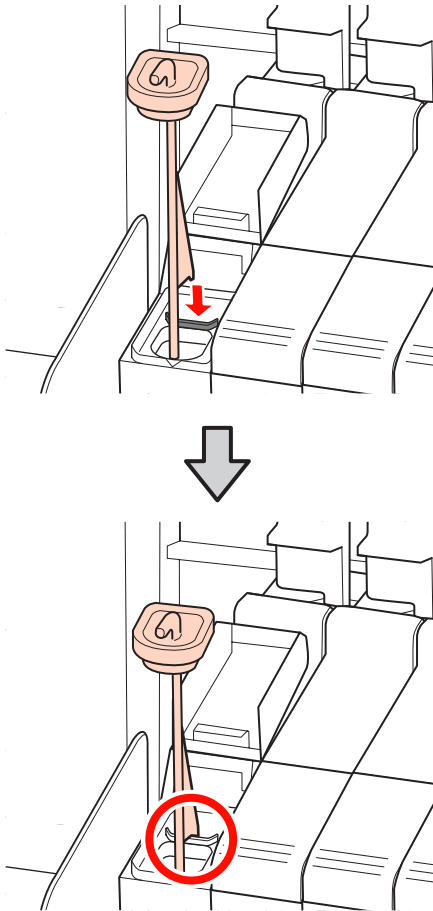
### For High Density Black ink

- (1) Hold the part shown in the circled area in the illustration to remove the ink inlet cap. If the ink inlet cap is removed with another part, ink adheres.

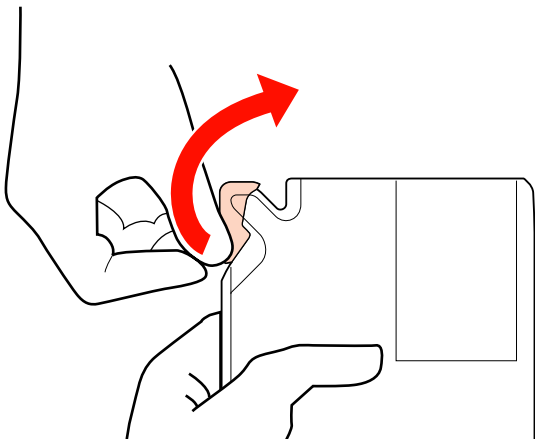


- (2) Hook the stirring stick over the projection on the ink tank.

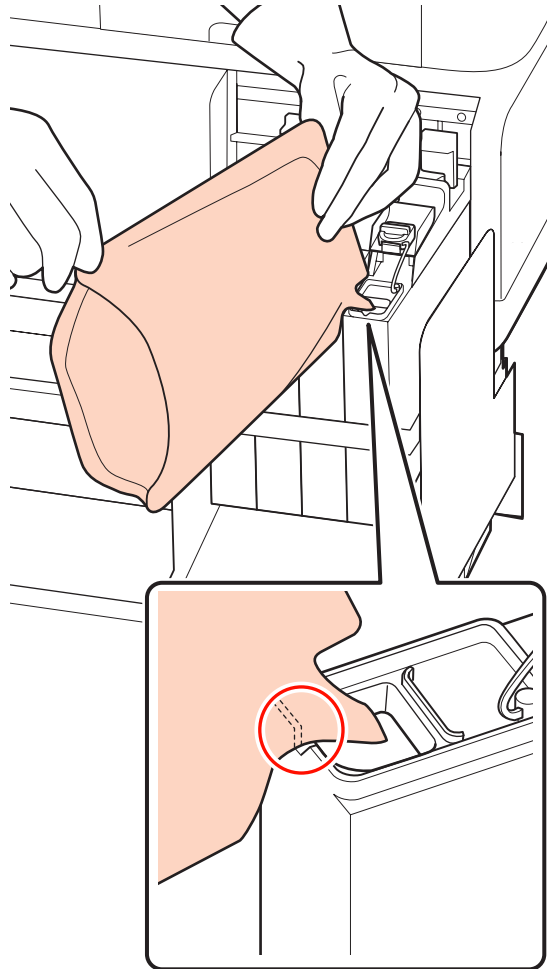
**Maintenance**



**10** Tear off the ink pack spout opening.



**11** Fill the ink tank with the ink from the ink pack.  
Insert the spout of the ink pack into the ink tank ink inlet groove and slowly tilt to pour out the ink.

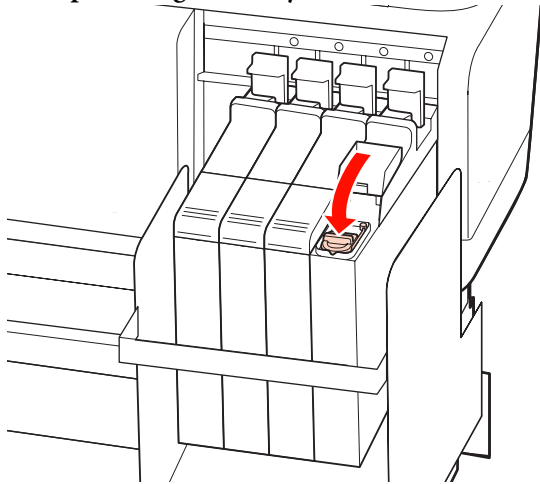


**! Important:**  
Get all the ink out of the ink pack so that there is none remaining.  
Do not use the ink in an ink pack to refill multiple different ink tanks.  
This can cause messages from the remaining ink warning system to not be displayed properly.

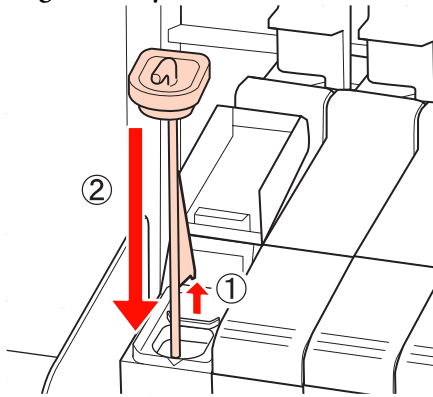
**12** Put the ink inlet cap back on the ink tank.  
The method for attaching the ink inlet cap differs depending on the type of ink being refilled.

Maintenance

Except for High Density Black ink



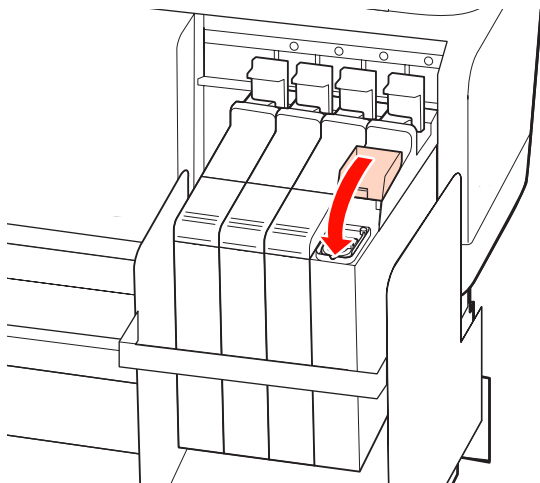
For High Density Black ink



**! Important:**  
 Press the ink inlet cap down firmly so that it does not detach. If the slider comes into contact with the ink inlet cap when pulling it out, the cap could be damaged.

13

Close the slider ink inlet cover.



Disposing of Waste Ink

Be sure to replace the Waste Ink Bottle when the following message is displayed in the control panel.

- Prepare empty waste ink bottle.
- Replace waste ink bottle and press OK.

Leave the waste ink in the Waste Ink Bottle for disposal; do not transfer it to another container.

**! Important:**  
 Never remove the Waste Ink Bottle while the head is being cleaning or a print operation is in progress. Failure to observe this precaution could cause waste ink to leak.

Waste Ink Counter

The printer uses the waste ink counter to track waste ink and displays a message when the counter reaches the warning level. If you follow the message instructions and replace the Waste Ink Bottle, the waste ink counter is cleared automatically.

If you replace the Waste Ink Bottle before being prompted by a message, run the Waste Ink Counter option in the Maintenance menu after replacement.

[“The Maintenance Menu” on page 118](#)

**! Important:**  
 If you replace the Waste Ink Bottle before being prompted by a message, always clear the waste ink counter. Otherwise, the replacement interval for the Waste Ink Bottle will no longer be notified correctly from the next message.

Replacing the Waste Ink Bottle

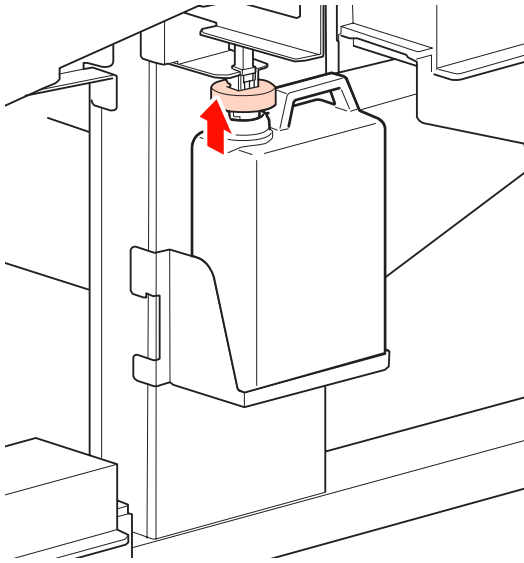
Follow the procedure below to replace the parts.

Before starting this procedure, be sure to read the following:

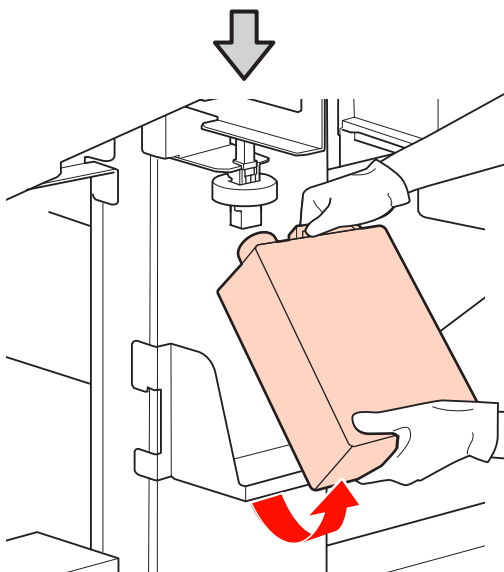
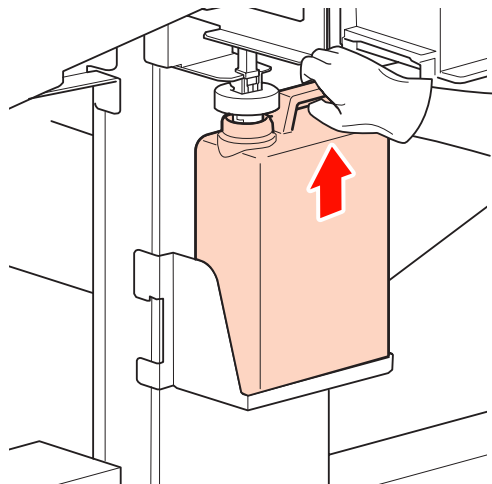
[“Precautions Regarding Maintenance” on page 76](#)

**Maintenance**

**1** Raise the stopper.



**2** Remove the Waste Ink Bottle from the Waste Ink Bottle holder.



**Note:**  
If the backside of the stopper is stained, wipe it.

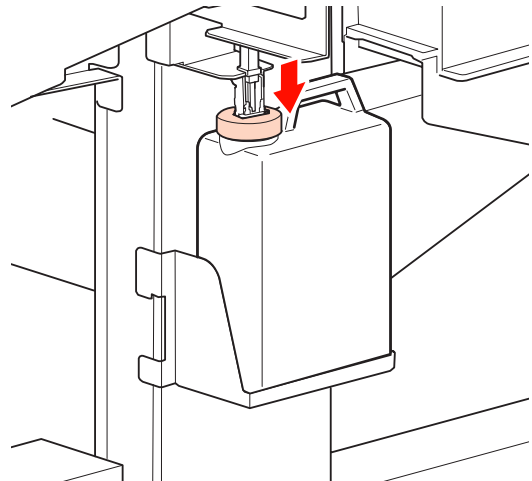
**3** Insert the waste ink tube into the mouth of the new Waste Ink Bottle and place the Waste Ink Bottle in the holder.

Tightly seal the lid on the used Waste Ink Bottle.

**Important:**

- ❑ Be sure to confirm that the waste ink tube is inserted in the mouth of the waste ink bottle. Ink will spill onto the surrounding area if the tube is not inserted in the bottle.
- ❑ You will need the lid for the Waste Ink Bottle when disposing of waste ink. Keep the lid in a safe place; do not throw it out.

**4** Lower the stopper.



**Important:**  
Confirm that the stopper adheres closely the mouth of the bottle. If there is a gap, waste ink may splatter and stain the surrounding area.

**5** Press the OK button.

**6** Check again to confirm that a fresh Waste Ink Bottle is correctly placed and then press the OK button to reset the waste ink counter.

 ["Disposal of Used Consumables" on page 101](#)

## Maintenance

### Replacing the Wiper Cleaners and Wipers

If nozzle clogs persist after Head Cleaning has been performed several times or cleaning has been performed, the wiper cleaners or wipers may be worn or deteriorated. In the following situations, replace the wiper cleaners and the wipers.

- ❑ Wiper: The wiper edge remains rough even after stains were wiped off using the cleaning stick. Otherwise, the wiper is cracked.
- ❑ Wiper cleaner: A film of ink has adhered to the rear surface of the absorbent section.



Follow the procedure below to replace the parts.

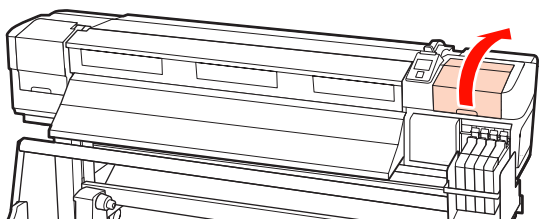
Before starting this procedure, be sure to read the following:

 [“Precautions Regarding Maintenance” on page 76](#)

- 1** Position the print head for maintenance purposes.

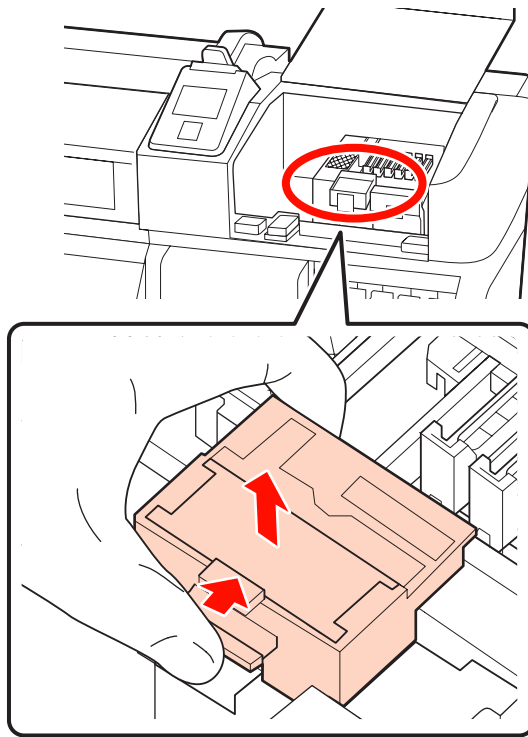
 [“Moving the Print Head” on page 77](#)

- 2** After the print head moves to the left end of the printer, open the right maintenance cover.



- 3** Remove the wiper cleaner.

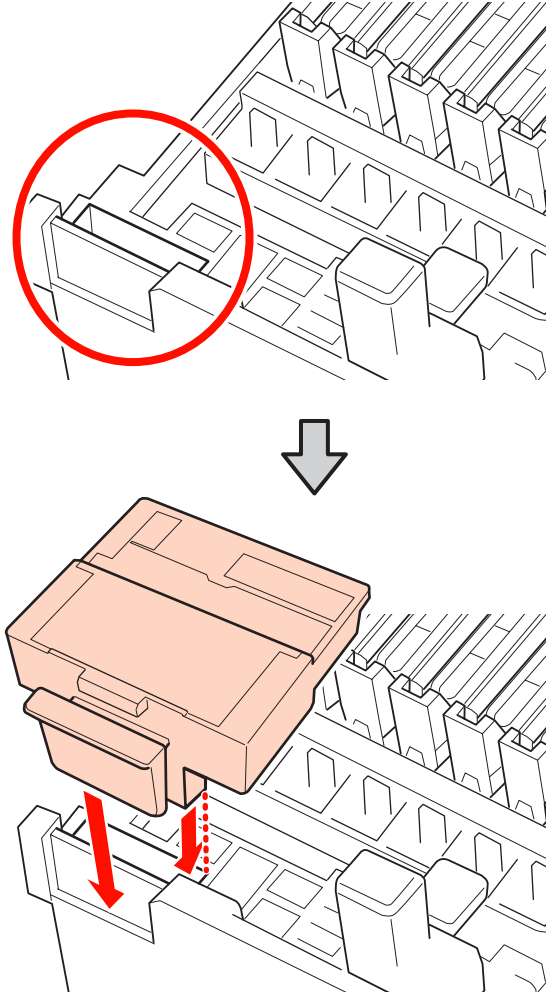
Grasp the cleaner as shown and lift it from the printer.



### Maintenance

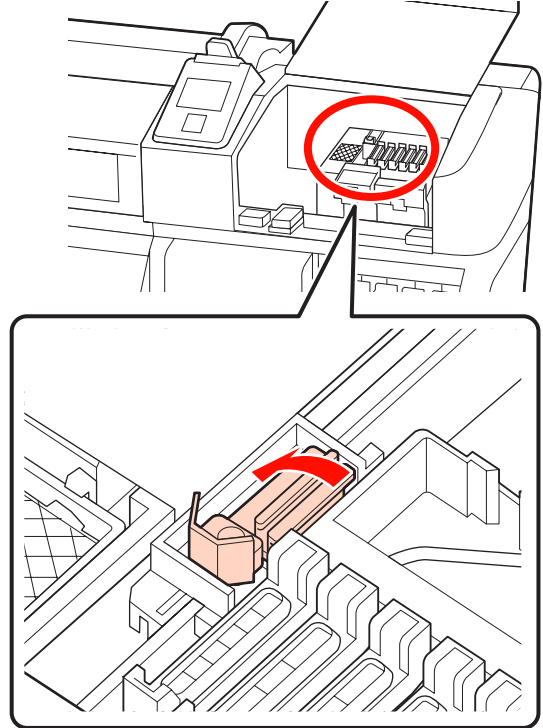
- 4** Insert a new wiper cleaner.

Place on the attachment point and press down until you hear a click.



- 5** Remove the wiper.

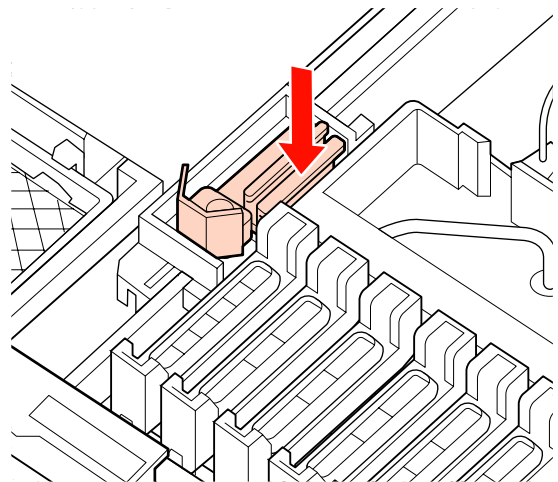
Holding the wiper by the attachment point, tilt it left and lift it out.



- 6** Insert new wiper.

Remove the cap on the wiping part of the wiper.

Place on the attachment point and press down until you hear a click.



Maintenance

**7** Close the maintenance cover, and then close the setup menu.

If the OK button is pressed once, the wiper moves to the inner side. If the OK button is pressed again, the print head returns to its normal position and the menu closes.

Disposal of used wipers and wiper cleaners

☞ [“Disposal of Used Consumables” on page 101](#)

## Replacing the Sliding Media Holding Plates

When the media holding plates supplied with the printer are deformed or damaged, be sure to replace them with new ones.

Media holding plates available on the printer

☞ [“Options and Consumable Products” on page 131](#)

**! Important:**

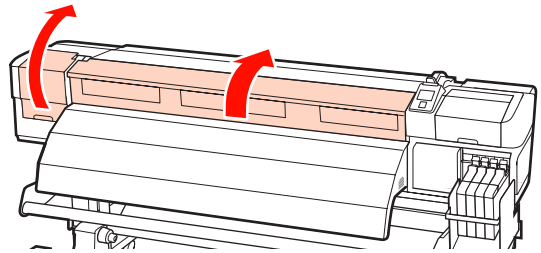
- ❑ *If a deformed or damaged media holding plate continues to be used, it may result in damage to the print head.*
- ❑ *When replacing the insertable media holding plates, replace both the right and left plates with the sliding media holding plates.*

## Replacement procedure

**1** Remove media, and press the ⏻ button to turn the printer off.

☞ [“Exchanging Media” on page 44](#)

**2** Open the left maintenance cover and front cover.



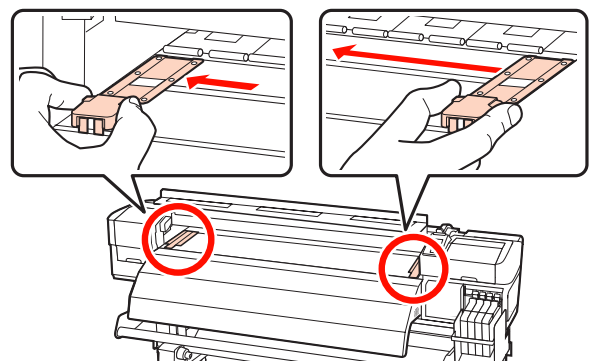
**3** Remove the target media holding plate.

Remove the sliding media holding plate in the steps shown below.

(1) While holding the tabs of the media holding plate on both sides, move the plate to the left edge of the platen.

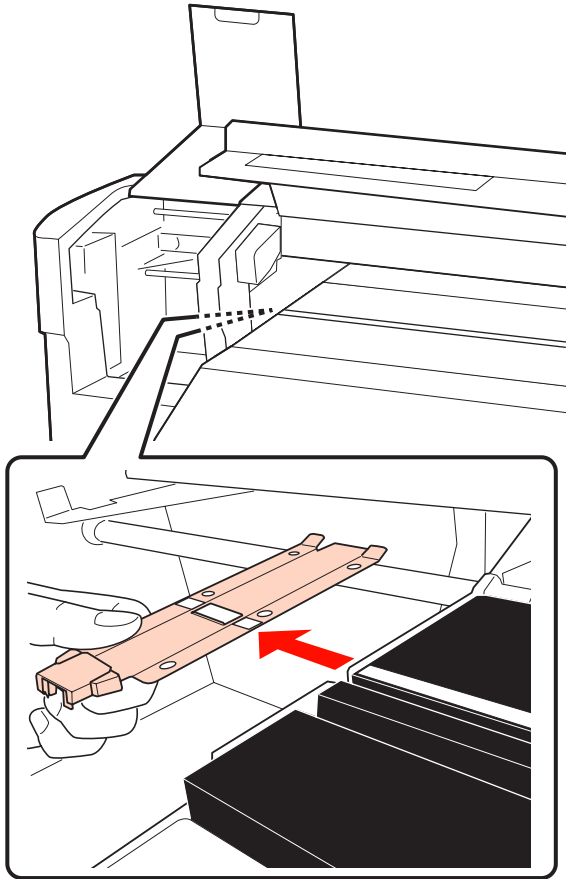
**! Important:**

*Be sure to remove the media holding plate from the left edge of the platen. If the plate is removed from the right edge, it will drop into the printer and cause malfunction.*



## Maintenance

- (2) Remove the left media holding plate, and then remove the right one.



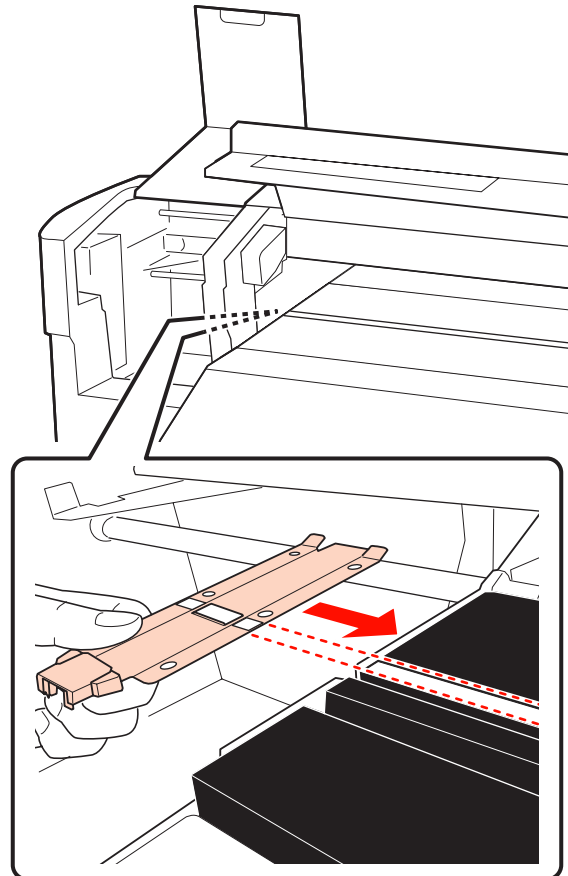
- 4** Insert a new media holding plate into the left edge of the platen.

**!** **Important:**

*If the media holding plate is inserted into the right edge, it will drop into the printer and cause malfunction.*

When inserting the plate, check the following two points.

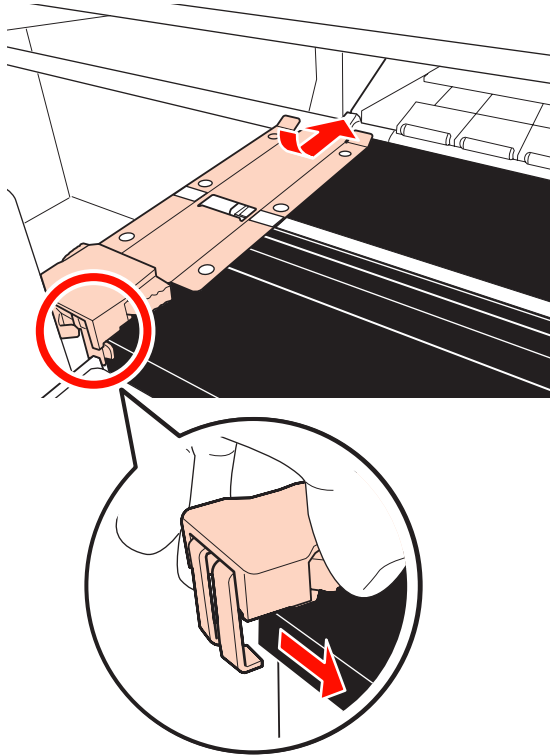
- (1) Align the white line on the platen with that of the media holding plate.





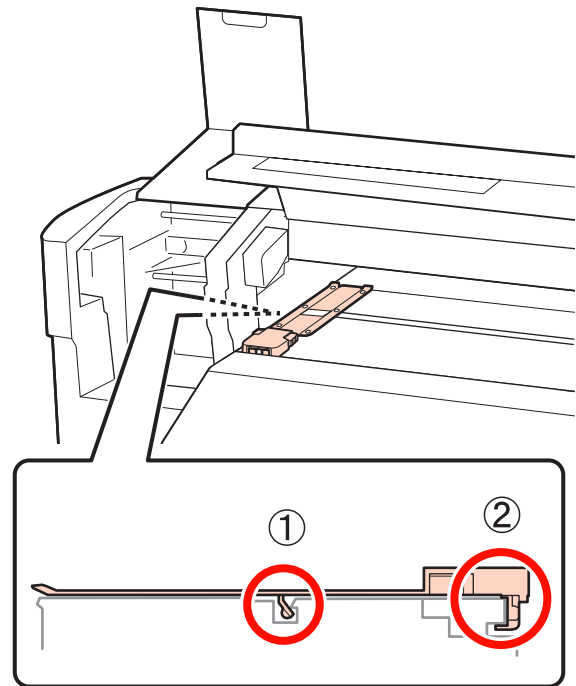
Maintenance

(2) While pressing the tip of the metallic plate against the platen, attach the hooked sections to the front corner of the platen.



**5** Check that two hooked sections at the rear of the media holding plate are securely applied as shown below and that they are attached with no gap between the plate and platen.

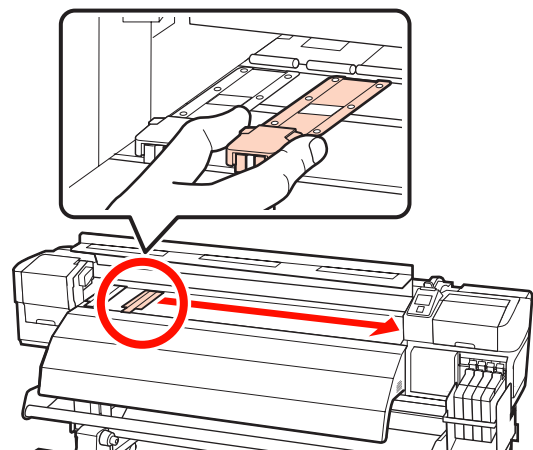
- (1) Latch at the rear of square hole: Groove in front of white line
- (2) Latch at the rear of tab: Front corner of the platen



**! Important:**  
If both hooked sections are not positioned correctly, return to Step 3 to attach them again. Otherwise, the head may be damaged.

**6** While holding the tabs of each media holding plate on both sides, move both the plates to the left and right edges of the platen respectively.

Releasing the tab fixes the media holding plate.



**7** Close the left maintenance cover and front cover.

## Maintenance

## Other Maintenance

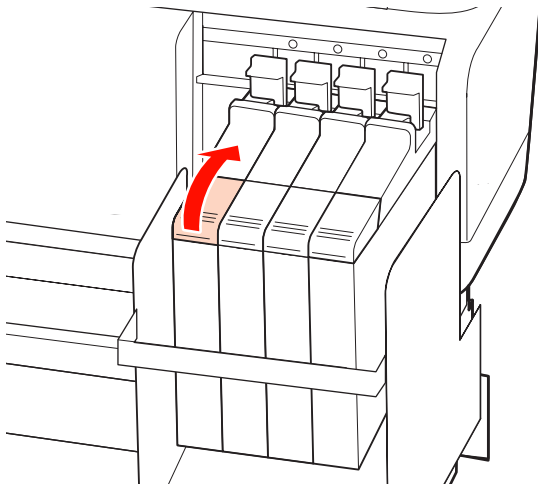
### Stirring High Density Black ink

A characteristic of High Density Black ink is that sedimentation occurs easily. Stir the ink in the ink tank once a week. There may be color differences in the printouts if printing is performed when sedimentation has occurred.

Before starting this procedure, be sure to read the following:

 "Precautions Regarding Maintenance" on page 76

- 1 Open the ink inlet cover for the slider on which an HDK ink label is stuck.



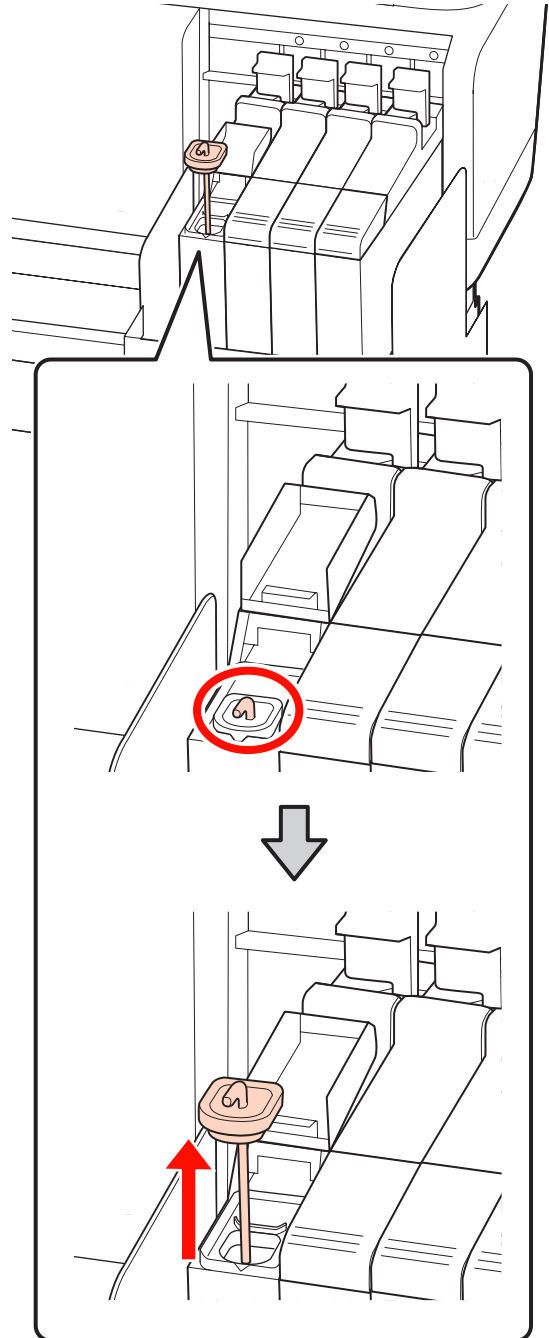
- 2 Remove the ink inlet cap from the ink tank.

Hold the part shown in the circled area in the illustration to remove the ink inlet cap. If the ink inlet cap is removed with another part, ink adheres.



**Important:**

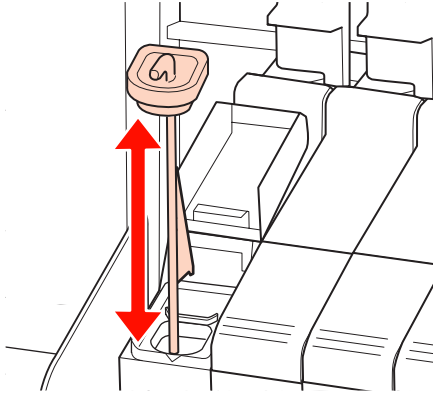
*Remove the ink inlet cap slowly. If you remove the cap too quickly, ink may splatter.*



**Maintenance**

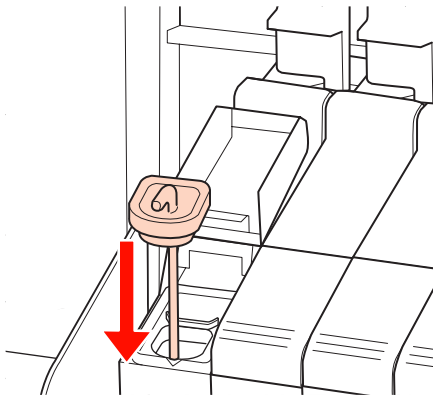
- 3** Move the stirring stick up and down within one second and repeat about 15 times.

When moving the stirring stick, touch the ink inlet cap to the lip of the ink tank and raise it until you can see the hook on the stirring stick.



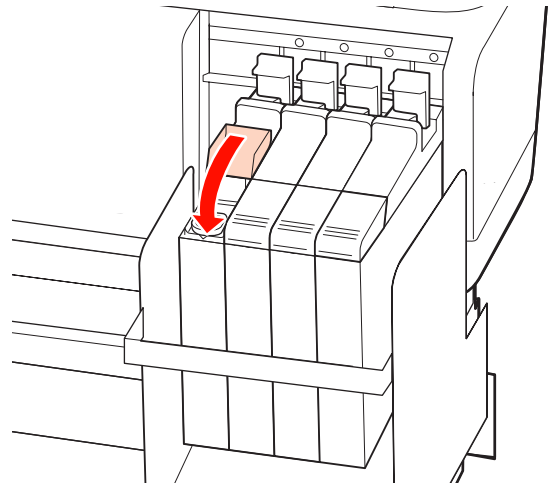
**! Important:**  
Move the stirring stick slowly. If you move it too quickly, ink may splatter.

- 4** Put the ink inlet cap back on the ink tank.



**! Important:**  
Press the ink inlet cap down firmly so that it does not detach. If the slider comes into contact with the ink inlet cap when pulling it out, the cap could be damaged.

- 5** Close the ink inlet cover.



**Checking for Clogged Nozzles**

We recommend that you check the nozzles for clogs each time you print to ensure quality results.

**Ways to Check for Clogs**

There are two ways to check for clogs.

- Print Nozzle Pattern

At specified intervals, the printer prints a test pattern at the start of normal printing. When printing is complete, you can visually inspect the pattern to determine whether there may be faint or missing colors in the preceding or following printout.

[“Printer Setup Menu” on page 115](#)

- On-Demand Nozzle Pattern

Nozzle patterns can be printed as required and inspected visually to determine whether the nozzles are clogged.

Depending on the width of the loaded media, you can conserve the amount of media used by printing patterns side by side in the margins of a printed pattern.

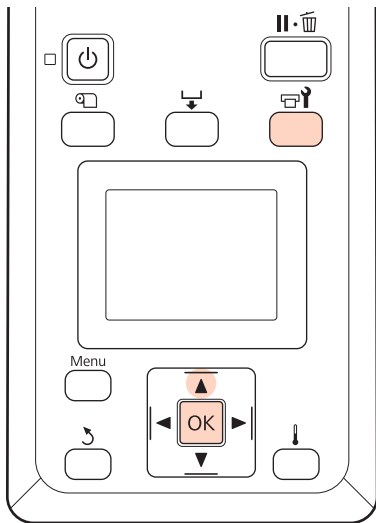
- From 51 inches to less than 64 inches: it is possible to print side by side up to 3 times at the right side, center, and left side.
- From 34 inches to less than 51 inches: it is possible to print side by side up to 2 times at the right side and left side.

**Maintenance**

Note that when the media width is less than 34 inches and Media Size Check is set to Off, it is not possible to print side by side.

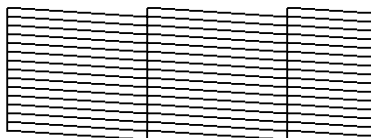
This section explains how to print and inspect a check pattern.

Buttons that are used in the following settings



- 1** After confirming that the printer is ready, press the button.  
The Maintenance menu will be displayed.
- 2** Select **Nozzle Check**, select a print position of your choosing, and then press the **OK** button.
- 3** A nozzle pattern will be printed.
- 4** Inspect the nozzle pattern.

**Example of clean nozzles**



The pattern contains no gaps.

**Example of clogged nozzles**



Perform head cleaning on any arrays that are missing from the pattern.

[“Head Cleaning” on page 100](#)

Always remove clogs from the nozzles of all colors before resuming use. If clogged nozzles (including clogged nozzles for colors that are not used) remain when printing after resuming use, the clogs can no longer be removed.

**5** The menus close when printing is complete.

If you will use the margin of media on which a check pattern has been printed during check pattern printing after head cleaning, use the button to rewind the media until the Print Start Position reaches the position of the pressure roller.

**Head Cleaning**

Should the nozzle pattern contain faint or missing segments, you may be able to unclog the nozzles by cleaning the print head as described below.

There is no need to clean the head if the print result does not contain faint areas or other color problems.

You can also clean the head while printing is paused. Note, however, that there may be color differences in the printouts when printing is resumed.

**Head Cleaning Level**

Choose from three levels of head cleaning.

Select **Execute (Light)** first. If the pattern still contains faint or missing segments after head cleaning has been performed once, try again using **Execute (Medium)** or **Execute (Heavy)**.

**Note:**

*If colors are faint or missing even after head cleaning, clean around the print head.*

[“Cleaning Around the Print Head” on page 78](#)

## Maintenance

### Auto Maintenance Options

The printer features handy auto maintenance options for performing regular head cleaning at an interval selected as described below.

Periodical Cleaning

Head cleaning is performed automatically at selected intervals of 1 to 240 hours.

[“Printer Setup Menu” on page 115](#)

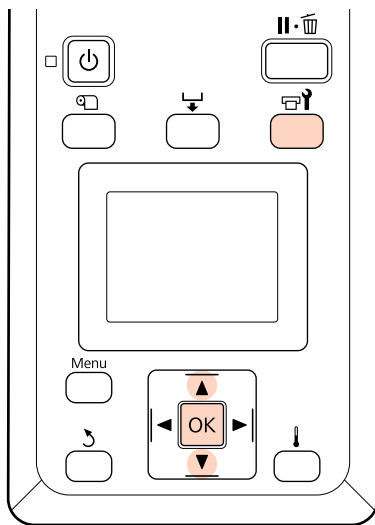
Cleaning Cycle

Head cleaning is performed automatically at selected intervals of 1 to 10 pages.

[“Printer Setup Menu” on page 115](#)

This section explains how to clean the head if you find that the nozzles are clogged on printing a test pattern.

Buttons that are used in the following settings



**1** Pressing the button when the printer is ready to print displays the Maintenance menu.

Pressing the button when printing is paused takes you to Step 3.

**2** Use the / buttons to select **Cleaning** and press the OK button.

**3** Choose the nozzles to be cleaned.

#### All Nozzles

Choose this option if all patterns in the printed nozzle check results contain faint or missing segments. If you select **All Nozzles**, proceed to Step 5.

#### Selected Nozzles

Choose this option if only some of the numbered patterns (nozzle arrays) in the printed nozzle check results contained faint or missing segments. You can select multiple nozzle arrays.

**4** Choose the nozzle arrays to be cleaned.

- Use the / buttons to choose the nozzle arrays with faint or missing segments in the nozzle check pattern and press the OK button.
- After selecting the arrays you wish to clean, select **Proceed** and press the OK button.

**5** Select a cleaning level and press the OK button.

Select Execute (Light) first.

**6** Head cleaning will be performed.

The menu will close when cleaning is complete. Print a nozzle pattern and inspect the results to determine whether the problem has been resolved.

[“Checking for Clogged Nozzles” on page 99](#)

If you paused the printer in Step 1, printing will resume when head cleaning is complete; check the printout to confirm whether the problem has been resolved.

## Disposal of Used Consumables

Dispose of used ink packs and chip units, as well as printed media following local laws and regulations, for example by consigning waste to industrial waste disposer.

## Maintenance

# Parts That Are Periodically Replaced

The following parts require periodic replacement.

(As of April 2015)

**Ink supply tank:** The time until replacement varies according to the conditions of use.

The part life varies with operating conditions. Base the decision to replace the print head on the quality of the print results.

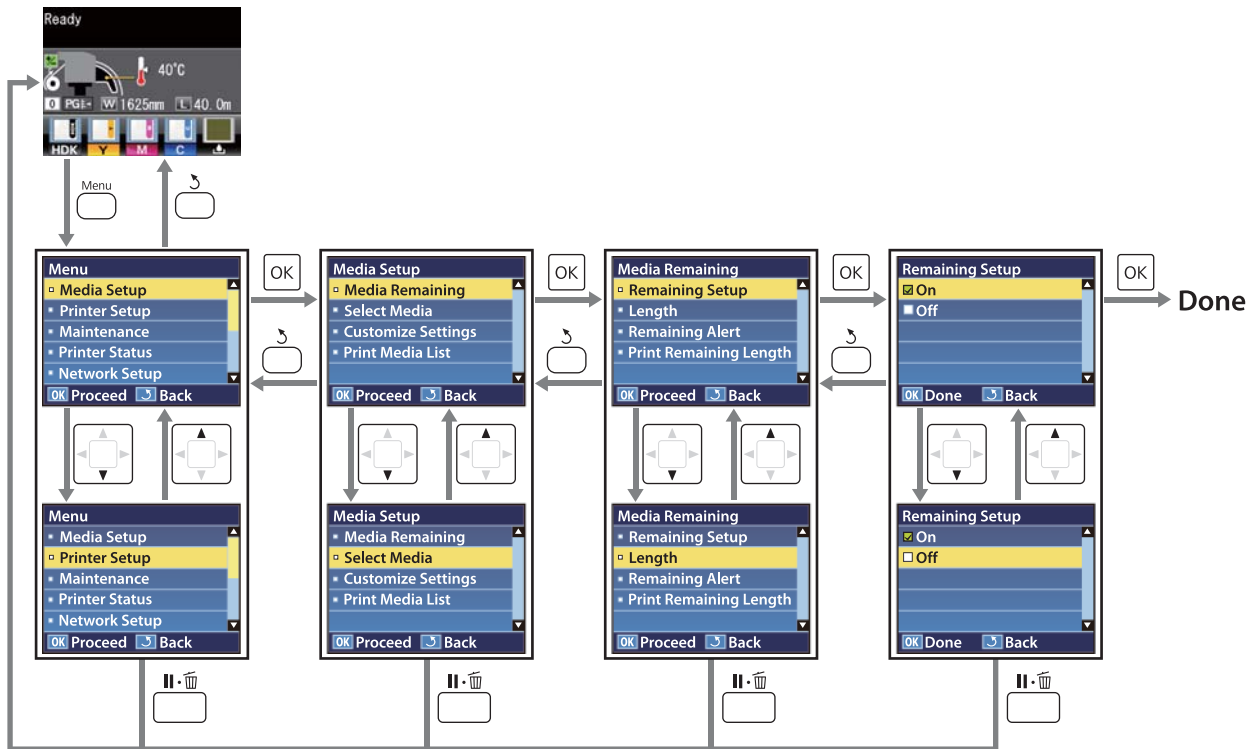
Using the Control Panel Menu

# Using the Control Panel Menu

## Menu Operations

The menus are used as shown below.

Menu operations are explained using the settings menu for the SC-F7200 Series as an example.



## Using the Control Panel Menu

# Menu List

The following items and parameters can be set and executed in the Menu. See the reference pages for more details on each item.

Setting items and setting values marked with asterisks indicate the following printer models.

\*1: SC-F7200 and SC-F7100 Series only; \*2: SC-F7000 Series only; \*3 SC-F7200 Series only; \*4 SC-F7100 and SC-F7000 Series only



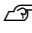

**Using the Control Panel Menu**

Menu	Item	Parameter	
Media Setup <a href="#">☞ “The Media Setup Menu” on page 109</a>	Media Remaining		
	Remaining Setup	On, Off	
	Length	1.0 to 999.5 m (3 to 3000 ft)	
	Remaining Alert	1 to 15 m (4 to 50 ft)	
	Print Remaining Length	Print	
	Select Media		RIP Settings, 1 to 30 (media setting bank number)
	Customize Settings		
	Current Settings		Change settings for currently selected media. The options available depend on whether RIP Settings or a media setting bank is selected. More information on the options available can be found below in the entries for RIP Settings and media setting banks 1 to 30.
	1 to 30 (media setting bank number)		
	Setting Name		Up to 22 half-size characters
	Feed Adjustment		Manual
	Platen Gap		1.5, 2.0, 2.5
	Head Alignment		Manual (Uni-D), Manual (Bi-D)
	Heating & Drying * <sup>1</sup>		
	Heater Temperature		Off, 30 to 55 °C
	Drying Time Per Pass		0 to 10 sec
	Blank Area Feed		Mode 0* <sup>3</sup> , Mode 1, Mode 2, Mode 3
	After Heater Feed		On, Off
	Drying * <sup>2</sup>		
	Drying Time Per Pass		0 to 10 sec
	Media Suction		0 to 10
	Head Movement		Data Width, Printer Full Width
Multi-Strike Printing		Off, 2 to 8	
Roll Type		Printable Side Out, Printable Side In	
Tension Measurement		Periodically, Every Page, Off* <sup>2</sup>	

**Using the Control Panel Menu**

Menu	Item	Parameter
	Feeding Tension* <sup>1</sup>	
	Auto	-
	Manual	0 to 40
	Take-up Tension* <sup>1</sup>	
	Auto	-
	Manual	1 to 6
	Media Tension* <sup>2</sup>	0 to 40
	Feed Speed	Auto* <sup>1</sup> , Lv1, Lv2
	Prevent Sticking* <sup>3</sup>	On, Off
	Restore Settings	Yes, No
	RIP Settings	
	Platen Gap	1.5, 2.0, 2.5
	Head Alignment	
	Input thickness.	0.1 to 1.0 mm (4 to 40 mil)
	Roll Type	Printable Side Out, Printable Side In
	Tension Measurement	Periodically, Every Page, Off* <sup>2</sup>
	Feeding Tension* <sup>1</sup>	
	Auto	-
	Manual	0 to 40
	Take-up Tension* <sup>1</sup>	
	Auto	-
	Manual	1 to 6
	Media Tension* <sup>2</sup>	0 to 40
	Prevent Sticking* <sup>3</sup>	On, Off
	Restore Settings	Yes, No
	Print Media List	Print

**Using the Control Panel Menu**

Menu	Item	Parameter	
Printer Setup  "Printer Setup Menu" on page 115	Side Margin(Right)	3 to 25 mm (0.12 to 1.00 inch)	
	Side Margin(Left)	3 to 25 mm (0.12 to 1.00 inch)	
	Print Start Position	0 to 800 mm (0.00 to 32.00 inch)	
	Margin Between Pages* <sup>3</sup>		
	Normal	-	
	No Margin	-10 to +10 mm (-0.39 to 0.39 inch)	
	Media Size Check	On, Off	
	Media End Check	On, Off	
	Media Skew Check	On, Off	
	Media End Option* <sup>3</sup>	Continue, Stop Printing	
	Print Nozzle Pattern	Off, 1 to 10 pages	
	Periodical Cleaning		
	Light	Off, 1 to 240 hours	
	Medium		
	Heavy		
	Power		
	Cleaning Cycle	Off, 1 to 10 pages	
	Heat Off Timer* <sup>1</sup>	15 to 240 minutes	
	Sleep Mode* <sup>2</sup>	15 to 240 minutes	
	Restore Settings	Yes, No	
Maintenance  "The Maintenance Menu" on page 118	Nozzle Check	Print	
	Print At Right	(The options available vary with the option selected for Media Size Check and the width of the media used.)	
	Print At Center		
	Print At Left		
	Cleaning		
	All Nozzles	Execute (Light), Execute (Medium), Execute (Heavy)	
	Selected Nozzles	Execute (Light), Execute (Medium), Execute (Heavy)	
	Head Maintenance	Head Movement	
Waste Ink Counter	-		


**Using the Control Panel Menu**


Menu	Item	Parameter
Print Logs*4 "The Print Logs Menu" on page 118	Print Job Log Sheet	Print
	Show Total Prints	XXXXXXXXm <sup>2</sup> (XXXXXXXXft <sup>2</sup> )
Printer Status "The Printer Status Menu" on page 119	Print Status Sheet	Print
	Firmware Version	XXXXXXXX,X_XX,XXXX
Network Setup "The Network Setup Menu" on page 119	IP Address Setting	
	Auto	-
	Panel	IP: 000.000.000.000 - 255.255.255.255 SM: 000.000.000.000 - 255.255.255.255 DG: 000.000.000.000 - 255.255.255.255
	Print Status Sheet	Print
	Restore Settings	Yes, No
Preference "The Preference Menu" on page 119	Date And Time	MM/DD/YY HH:MM
	Language	Japanese, English, French, Italian, German, Portuguese, Spanish, Dutch, Russian, Korean, Chinese
	Unit: Length	m, ft/in
	Unit: Temperature *1	°C, F
	Alert Sound Setting	On, Off
	Alert Lamp Setting	On, Off
Reset All Settings "The Reset All Settings Menu" on page 120	-	Yes, No

## Using the Control Panel Menu

# Details of the Menu

## The Media Setup Menu

The Media Setup menu can be accessed directly by pressing the  button.

 is the default setting.

## Media Remaining

Item	Parameter	Explanation
Remaining Setup	On	Choose <b>On</b> to display and record, or <b>Off</b> to not display and not record, the amount of media remaining. If <b>On</b> is set, <b>Length</b> , <b>Remaining Alert</b> , and <b>Print Remaining Length</b> are displayed and can be configured. The display panel shows the amount of media remaining based on the value selected for <b>Length</b> and the amount of media used during printing.
	Off	
Length	1.0 to 999.5 m (3 to 3000 ft)	Enter a value for overall roll length between 1.0 and 999.5 m (3 to 3000 ft). You can set in 0.5 m (1 ft) increments.
Remaining Alert	1 to 15 m (4 to 50 ft)	An alert will be displayed if the amount of media remaining reaches this length. Choose from values between 1 and 15 m (4 to 50 ft). You can set in 0.5 m (1 ft) increments.
Print Remaining Length	Print	Use <b>Print Remaining Length</b> to print the amount of media remaining on the current roll before replacing it with another type of media. You can then enter this number as the media the length the next time the roll is used.

## Select Media

Parameter	Explanation
1 to 30 (media setting bank number)	Choose the media settings used for printing.
RIP Settings	If RIP Settings is selected, the media settings selected in the software RIP will be used.  Select a number between 1 and 30 to use the settings in the corresponding media setting bank. Use <b>Customize Settings</b> to create media setting banks.

## Customize Settings

Item	Parameter	Explanation
Current Settings	-	Change settings for currently selected media. The options available depend on whether <b>RIP Settings</b> or a media setting bank is selected. More information on the options available can be found below in the entries for RIP Settings and media setting banks 1 to 30.

## Using the Control Panel Menu

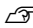

### 1 to 30 (media setting bank number)

Setting items and setting values marked with asterisks indicate the following printer models.

\*1: SC-F7200 and SC-F7100 Series only; \*2: SC-F7000 Series only; \*3 SC-F7200 Series only; \*4 SC-F7100 and SC-F7000 Series only

Item	Parameter	Explanation
Setting Name	-	Assign the media setting bank a name up to 22 half-size characters long. Using distinctive names makes it easier to select banks for use.
Feed Adjustment	Manual	Use this option if banding (horizontal banding, lines, or strips of uneven color) persists after head cleaning and head alignment have been performed. The user visually inspects print results and enters the adjustment value by hand. <a href="#">☞ "Feed Adjustment" on page 69</a> Adjustment varies with the media being used. Load the media for which feed adjustment is required under the same conditions as the actual print job.
Platen Gap	1.5	Choose the platen gap (the distance between the print head and the media). The default setting for the SC-F7200 and SC-F7100 Series is 2.0. The default setting for the SC-F7000 Series is 1.5. The default setting is recommended in most circumstances. Raise the setting by one level to increase the distance if the printout is scratched or smudged. Select 2.5 only if print results are still smudged when 2.0 is selected. Choosing a larger gap than required may result in ink stains inside the printer, reduced print quality, or shorter product life.
	2.0	
	2.5	
Head Alignment	Manual (Uni-D)	Select Head Alignment to realign the print head when print results seem grainy or out of focus.
	Manual (Bi-D)	Visually inspect print results and enter an appropriate correction by hand. <a href="#">☞ "Correcting Print Misalignment (Head Alignment)" on page 67</a>
Heating & Drying* <sup>1</sup>		

## Using the Control Panel Menu


Item	Parameter	Explanation
Heater Temperature	Off	Set the after heater temperature.
	30 to 55°C	The default Heater Temperature is 55 °C.
Drying Time Per Pass	0 to 10 sec	<p>Select the time the print head pauses to allow drying after each pass. Choose from values between 0.0 and 10.0 seconds. When you want to maintain a constant drying time even when the print width changes, set the drying time according to the media width. See the following for more information.</p> <p> <a href="#">"Heating &amp; Drying(SC-F7200/SC-F7100 Series only)" on page 63</a></p> <p>The time needed for the ink to dry varies with ink density and the media used. If the ink blurs on the media, set a longer time than the recommended value for drying the ink.</p> <p>Increasing the drying time increases the time needed to print.</p>
After Heater Feed	On	Select whether to feed media to the after heater after printing ( <b>On/Off</b> ).
	Off	Select <b>On</b> if the media will be cut before the next job starts. Note, however, that the margin will increase.
Blank Area Feed	Mode 0* <sup>3</sup>	<p>If there is a section without print data (a blank area) during a job, the media is fed quickly. If the value for the selected mode is small, the media is fed at a quicker speed. If this mode does not allow the ink to dry sufficiently, see the following section and change the mode.</p> <p> <a href="#">"Heating &amp; Drying(SC-F7200/SC-F7100 Series only)" on page 63</a></p>
	Mode 1	
	Mode 2	
	Mode 3	
Drying* <sup>2</sup>		
Drying Time Per Pass	0 to 10 sec	<p>Select the time the print head pauses to allow drying after each pass. Choose from values between 0.0 and 10.0 seconds. The time needed for the ink to dry varies with ink density and the media used. If the ink blurs on the media, set a longer time for drying the ink.</p> <p>Increasing the drying time increases the time needed to print.</p>
Media Suction	0 to 10	Suction is required to maintain the correct distance between the media and the print head; the amount needed varies with the type of media. Excessive suction can increase the gap between the print head and thin or flexible media, potentially reducing print quality or preventing the media feeding normally. In such cases, you will need to lower media suction. The suction power is weakened when the parameter is lowered.
Head Movement	Data Width	Choose the range in which the print head moves during printing.
	Printer Full Width	<p><b>Data Width</b> restricts print head movement to the printed area. Restricting the extent of print head movement increases print speed.</p> <p>If <b>Printer Full Width</b> is selected, the print head will move the full width of the largest media supported by the printer. Select this option for more even print results with less variation.</p>
Multi-Strike Printing	Off	Choose the number of times each line is printed.
	2 to 8	
Roll Type	Printable Side Out	Choose <b>Printable Side Out</b> or <b>Printable Side In</b> according to how the media is rolled.
	Printable Side In	

### Using the Control Panel Menu

Item	Parameter	Explanation	
Tension Measurement	Periodically	<p>Choose <b>Periodically</b> or <b>Every Page</b> to have the printer automatically monitor and adjust media tension during printing for optimal results, <b>Off</b> to disable automatic tension adjustment.</p> <p><b>Periodically</b> is recommended in most circumstances.</p> <p>The printer may however be unable to adjust tension appropriately for some media, resulting in excessive slack or other maladjustments that cause printing problems, in which case you should select <b>Off</b>. Note, however, that <b>Off</b> may result in unusually large margin between pages. In addition, printing may not stop and the inside of the printer may become stained. Observe the following precautions:</p> <ul style="list-style-type: none"> <li><input type="checkbox"/> Do not print at the end of a roll</li> <li><input type="checkbox"/> Do not select <b>Off</b> for Media End Check.</li> </ul> <p>Select <b>Every Page</b> for more precise tensioning, but note that print times will increase.</p>	
	Every Page		
	Off*2		
Feeding Tension *1			
	Auto	-	<p>The default setting of <b>Auto</b> is recommended in most situations. If <b>Media Size Check</b> is not <b>On</b> when <b>Auto</b> is set, the appropriate tension is not applied because the media width cannot be detected.</p> <p>We recommend setting <b>Manual</b> in the following situations, and then changing the setting value. The tension increases as the set value increases.</p> <ul style="list-style-type: none"> <li><input type="checkbox"/> When the media creases while printing                             <ul style="list-style-type: none"> <li>Set a larger value than the recommended values depending on the media width you loaded.</li> </ul> </li> <li><input type="checkbox"/> When banding (horizontal banding, tint unevenness, or stripes) appears at irregular intervals in printing results.                             <ul style="list-style-type: none"> <li>Set a smaller value than the recommended values depending on the media width you loaded.</li> </ul> </li> <li><input type="checkbox"/> When the <b>Media Size Check</b> is set to <b>Off</b> <ul style="list-style-type: none"> <li>Set the <b>Feeding Tension</b> value depending on the media width you loaded. For details, see:                                      <a href="#">🔗 "Feeding Tension (SC-F7200/SC-F7100 Series only)" on page 65</a> </li> </ul> </li> </ul>
	Manual	0 to 40	
Take-up Tension *1			
	Auto	-	<p>The default setting of <b>Auto</b> is recommended in most situations. If <b>Media Size Check</b> is not <b>On</b> when <b>Auto</b> is set, the appropriate tension is not applied because the media width cannot be detected.</p> <p>If media wrinkles when printing, or white banding (white or light lines) appears in the print results, we recommend using <b>Manual</b> and setting the value to lower than Lv3. Make the same settings if ink adheres to the back of the take-up roll. If thick media cannot be wound correctly, we recommend using <b>Manual</b> and setting the value to higher than Lv3. The tension increases as the set value increases.</p>
	Manual	1 to 6	



### Using the Control Panel Menu

Item	Parameter	Explanation
Media Tension*2	0 to 40	<p>The manufacturer default set values will change as follows depending on the <b>Tension Measurement</b> setting.</p> <p><b>Periodically/Every Page:</b> Lv28</p> <p><b>Off:</b>Lv39</p> <p>We recommend setting <b>Media Tension</b> in the setting menu to comply with the width of the loaded media. The value depends on the <b>Tension Measurement</b> setting. See the following for more information.</p> <p> <a href="#">"Media Tension (SC-F7000 Series only)" on page 66</a></p>
Prevent Sticking*3	On	<p>Select whether to enable (<b>On</b>) or disable (<b>Off</b>) operations to prevent media from sticking when the printer is turned on or when printing starts. Since operations take longer when <b>On</b> is selected, we recommend setting this to <b>Off</b>. Depending on the media type, it may easily adhere to the platen. If operations are performed while the media is on the platen, the media is not fed correctly and could cause a jam. If this occurs, set <b>On</b>.</p>
	Off	
Feed Speed	Auto*1	<p>The default setting for the SC-F7200 and SC-F7100 Series is Auto. The default setting for the SC-F7000 Series is Lv2. The manufacturer default set value is recommended in most circumstances. Set <b>Lv1</b> if thin media is creased or torn or sticks together or horizontal lines appear during printing. Note that the speed does not change when a large number (of passes) was selected.</p>
	Lv1	
	Lv2	
Restore Settings	Yes	<p>If <b>Yes</b> is selected, the setting content of selected media settings are returned to the default settings.</p>
	No	

#### RIP Settings

Setting items and setting values marked with asterisks indicate the following printer models.

\*1: SC-F7200 and SC-F7100 Series only; \*2: SC-F7000 Series only; \*3 SC-F7200 Series only; \*4 SC-F7100 and SC-F7000 Series only

Item	Parameter	Explanation
Platen Gap	1.5	<p>Change Platen Gap (the gap between the print head and the media) in the media settings selected in the software RIP.</p> <p>The default setting for the SC-F7200 and SC-F7100 Series is 2.0. The default setting for the SC-F7000 Series is 1.5. The default setting is recommended in most circumstances. Raise the setting by one level to increase the distance if the printout is scratched or smudged. Select 2.5 only if print results are still smudged when 2.0 is selected. Choosing a larger gap than required may result in ink stains inside the printer, reduced print quality, or shorter product life.</p>
	2.0	
	2.5	
Head Alignment		
Input thickness.	0.1 to 1.0 mm (4 to 40 mil)	Enter a value for media thickness of from 0.1 to 1.0 mm (4 to 40 mil).
Roll Type	Printable Side Out	Choose <b>Printable Side Out</b> or <b>Printable Side In</b> according to how the media is rolled.
	Printable Side In	

### Using the Control Panel Menu

Item	Parameter	Explanation
Tension Measurement	Periodically	<p>Choose <b>Periodically</b> or <b>Every Page</b> to have the printer automatically monitor and adjust media tension during printing for optimal results, <b>Off</b> to disable automatic tension adjustment.</p> <p><b>Periodically</b> is recommended in most circumstances.</p> <p>The printer may however be unable to adjust tension appropriately for some media, resulting in excessive slack or other maladjustments that cause printing problems, in which case you should select <b>Off</b>. Note, however, that <b>Off</b> may result in unusually large margin between pages. In addition, printing may not stop and the inside of the printer may become stained. Observe the following precautions:</p> <ul style="list-style-type: none"> <li><input type="checkbox"/> Do not print at the end of a roll</li> <li><input type="checkbox"/> Do not select <b>Off</b> for Media End Check.</li> </ul> <p>Select <b>Every Page</b> for more precise tensioning, but note that print times will increase.</p>
	Every Page	
	Off*2	
Feeding Tension *1		
Auto	-	<p>The default setting of <b>Auto</b> is recommended in most situations. If <b>Media Size Check</b> is not <b>On</b> when <b>Auto</b> is set, the appropriate tension is not applied because the media width cannot be detected.</p> <p>We recommend setting <b>Manual</b> in the following situations, and then changing the setting value. The tension increases as the set value increases.</p> <ul style="list-style-type: none"> <li><input type="checkbox"/> When the media creases while printing                             <ul style="list-style-type: none"> <li>Set a larger value than the recommended values depending on the media width you loaded.</li> </ul> </li> <li><input type="checkbox"/> When banding (horizontal banding, tint unevenness, or stripes) appears at irregular intervals in printing results.                             <ul style="list-style-type: none"> <li>Set a smaller value than the recommended values depending on the media width you loaded.</li> </ul> </li> <li><input type="checkbox"/> When the <b>Media Size Check</b> is set to <b>Off</b> <ul style="list-style-type: none"> <li>Set the <b>Feeding Tension</b> value depending on the media width you loaded. For details, see:                                      <a href="#">🔗 "Feeding Tension (SC-F7200/SC-F7100 Series only)" on page 65</a> </li> </ul> </li> </ul>
	Manual	
Take-up Tension *1		
Auto	-	<p>The default setting of <b>Auto</b> is recommended in most situations. If <b>Media Size Check</b> is not <b>On</b> when <b>Auto</b> is set, the appropriate tension is not applied because the media width cannot be detected.</p> <p>If media wrinkles when printing, or white banding (white or light lines) appears in the print results, we recommend using <b>Manual</b> and setting the value to lower than Lv3. Make the same settings if ink adheres to the back of the take-up roll. If thick media cannot be wound correctly, we recommend using <b>Manual</b> and setting the value to higher than Lv3. The tension increases as the set value increases.</p>
	Manual	

### Using the Control Panel Menu

Item	Parameter	Explanation
Media Tension*2	0 to 40	<p>The manufacturer default set values will change as follows depending on the <b>Tension Measurement</b> setting.</p> <p><b>Periodically/Every Page:</b> Lv28 <b>Off:</b>Lv39</p> <p>We recommend setting <b>Media Tension</b> in the setting menu to comply with the width of the loaded media. The value depends on the <b>Tension Measurement</b> setting. See the following for more information.</p> <p> <a href="#">"Media Tension (SC-F7000 Series only)" on page 66</a></p>
Prevent Sticking*3	On	<p>Select whether to enable (<b>On</b>) or disable (<b>Off</b>) operations to prevent media from sticking when the printer is turned on or when printing starts. Since operations take longer when <b>On</b> is selected, we recommend setting this to <b>Off</b>. Depending on the media type, it may easily adhere to the platen. If operations are performed while the media is on the platen, the media is not fed correctly and could cause a jam. If this occurs, set <b>On</b>.</p>
	Off	
Restore Settings	Yes	<p>If <b>Yes</b> is selected, the content of configured RIP Settings are returned to the default settings.</p>
	No	

### Print Media List

Parameter	Explanation
Print	Print the contents of media setting banks 1 to 30.

## Printer Setup Menu

is the default setting.

Setting items and setting values marked with asterisks indicate the following printer models.

\*1: SC-F7200 and SC-F7100 Series only; \*2: SC-F7000 Series only; \*3 SC-F7200 Series only; \*4 SC-F7100 and SC-F7000 Series only

Item	Parameter	Explanation
Side Margin(Right)	3 to 25mm (0.12 to 1.00inch)	<p>Choose the width of the right margin when media is loaded in the printer. See the following for more information.</p> <p> <a href="#">"Printable Area" on page 72</a></p>
Side Margin(Left)	3 to 25mm (0.12 to 1.00inch)	<p>Choose the width of the left margin when media is loaded in the printer. See the following for more information.</p> <p> <a href="#">"Printable Area" on page 72</a></p>

### Using the Control Panel Menu


Item	Parameter	Explanation
Print Start Position	0 to 800 mm (0.00 to 32.00 inch)	Adjust this parameter if you want to print from the near center of the media or if you want to shift the printed area left from the <b>Side Margin(Right)</b> setting. The area between the right edge of the media and <b>Print Start Position</b> is left blank. If a value is selected for <b>Side Margin(Right)</b> , an additional area corresponding to the width selected for <b>Side Margin(Right)</b> will be left blank. See the following for more information.  <a href="#">☞ "Printable Area" on page 72</a>
Margin Between Pages <sup>*3</sup>	Normal	Allows you to reduce the margin between pages. Even after making adjustments, the size of the margin may change depending on the media and usage environment.  The margin increases when the number is moved in the + direction, and decreases when the number is moved in the - direction.  <a href="#">☞ "Printable Area" on page 72</a>
	No Margin	
Media Size Check	On	Choose whether the printer automatically detects ( <b>On</b> ), or does not automatically detect ( <b>Off</b> ), the edges of the media when the media is loaded. We generally recommend to operate with this setting set to <b>On</b> .  Try <b>Off</b> if the printer displays a <b>Media Size Error</b> when the media is correctly loaded. Note, however, that the printer may print beyond the edges of the media when <b>Off</b> is selected. Ink used outside the edges of the media will stain the inside of the printer.  Changed settings are reflected when the media is re-loaded.
	Off	
Media End Check	On	Choose whether the printer automatically detects ( <b>On</b> ) or does not automatically detect ( <b>Off</b> ), the end of the media. Try <b>Off</b> if the printer displays <b>Media Out</b> when the media is correctly loaded. We generally recommend to operate with this setting set to <b>On</b> .
	Off	
Media Skew Check	On	When skewed media is detected, the printer will either stop printing and display an error ( <b>On</b> ) or continue printing ( <b>Off</b> ). <b>On</b> is recommended in most circumstances, as skewed media may cause the printer to jam.
	Off	
Media End Option <sup>*3</sup>	Continue	Select whether or not ( <b>Continue/Stop Printing</b> ) to print the remaining data after replacement.
	Stop Printing	
Print Nozzle Pattern	Off	Choose the frequency with which the printer prints a nozzle test pattern: never ( <b>Off</b> ) or once every <b>1 to 10</b> pages. Periodic test patterns will not be printed while <b>Off</b> is selected. To print a test pattern at the top of every 1 to 10 pages, select an option between <b>1</b> and <b>10</b> . When printing is complete, you can visually inspect the pattern to determine whether there may be faint or missing colors in the preceding or following printout.
	1 to 10 pages	
Periodical Cleaning		

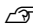
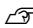

## Using the Control Panel Menu

Item	Parameter	Explanation
Light	Off, 1 to 240 hours	<p>Choose the strength and the frequency - never (<b>Off</b>) or after <b>1 to 240</b> hours - with which the printer performs head cleaning. Periodical Cleaning will not be performed while <b>Off</b> is selected. If a value between <b>1</b> and <b>240</b> hours is selected, auto head cleaning will be performed after the specified number of hours. If printing is in progress when the specified time has elapsed, Periodical Cleaning will only be performed after printing is complete or the printer is reactivated.</p> <p>The following reset the timer:</p> <ul style="list-style-type: none"> <li><input type="checkbox"/> Choosing a setting time for this item.</li> <li><input type="checkbox"/> When head cleaning was performed using All Nozzles at a strength that is the same as or higher than the setting selected for this setting.</li> </ul> <p>Note that even when <b>Off</b> is selected for Periodical Cleaning, the printer will automatically clean the print head at a fixed interval after printing to keep the nozzle from clogging.</p>
Medium		
Heavy		
Power		
Cleaning Cycle	Off	<p>Choose the frequency with which the printer performs auto head cleaning: never (<b>Off</b>) or once every <b>1 to 10</b> pages. The Cleaning Cycle will not be performed while <b>Off</b> is selected. Select <b>1 to 10</b> to perform head cleaning before the specified number of pages is printed.</p>
	1 to 10 pages	
Heat Off Timer <sup>*1</sup>	15 to 240 minutes	<p>You can turn off the after heater automatically when no errors are detected and no print jobs are in progress. This option is used to choose the interval before the after heater turns off automatically.</p> <p>The printer will enter sleep mode when the Heat Off Timer expires. In sleep mode, the control panel turns off and the internal motors and other components consume less power.</p> <p>To reactivate the control panel display, press any button in the control panel except the ⏻ button. The control panel display will however turn off again if no operations are performed for another 30 seconds under these conditions. The printer and heaters are only fully reactivated when a print job is received, the media loading lever is used, or another operation involving printer hardware is performed.</p>
Sleep Mode	15 to 240 minutes	<p>The printer will enter sleep mode if no errors have occurred, no print jobs have been received, and no actions are performed on the control panel for an extended period of time.</p> <p>This setting selects the amount of time until the printer enters sleep mode.</p>
Restore Settings	Yes	<p>Select <b>Yes</b> to restore all items in the <b>Printer Setup</b> menu to their default settings.</p>
	No	

## Using the Control Panel Menu

### The Maintenance Menu

The Maintenance menu can be accessed directly by pressing the  button.

Item	Parameter	Explanation
Nozzle Check	Print	<p>A nozzle pattern will be printed. Inspect the pattern visually and perform head cleaning if you detect faint or missing colors.</p> <p> <a href="#">"Checking for Clogged Nozzles" on page 99</a></p> <p>The menu displayed in the setting items depends on the Media Size Check setting and the width of the loaded media.</p>
Print At Right		
Print At Center		
Print At Left		
Cleaning		
All Nozzles	Execute (Light)/ Execute (Medium)/ Execute (Heavy)	<p>Note the numbers of patterns that contain faint or missing colors and clean all or selected nozzles. <b>All Nozzles</b> performs head cleaning for all nozzles. Choose <b>Selected Nozzles</b> to clean only the nozzles in selected arrays.</p> <p>The level of cleaning can be selected from <b>Execute (Light)</b>, <b>Execute (Medium)</b>, and <b>Execute (Heavy)</b>. Select <b>Execute (Light)</b> first. If the problem persists after you have used <b>Execute (Light)</b>, choose <b>Execute (Medium)</b>. If the problem persists after you have used <b>Execute (Medium)</b>, choose <b>Execute (Heavy)</b>.</p> <p> <a href="#">"Head Cleaning" on page 100</a></p>
Selected Nozzles	Execute (Light)/ Execute (Medium)/ Execute (Heavy)	
Head Maintenance	Head Movement	<p>Position the print head for maintenance. Perform such maintenance as cleaning the wiper, caps, and the area around print head only after using this option to position the head for cleaning. Moving the print head manually could cause malfunction.</p> <p> <a href="#">"Cleaning" on page 78</a></p>
Waste Ink Counter	-	If you replace the Waste Ink Bottle before being prompted by a message indicating the replacement interval of the Waste Ink Bottle in the control panel, run the Waste Ink Counter option after replacement.

### The Print Logs Menu

These items are used to track consumables.

Displayed for the SC-F7100 and SC-F7000 Series only.

Item	Parameter	Explanation
Print Job Log Sheet	Print	You can print the job information saved in the printer (up to 10 jobs). The information includes the amount of media and ink used in each job, making it easier to track the use of consumables.
Show Total Prints	XXXXXXm <sup>2</sup> (XXXXXXft <sup>2</sup> )	Displays the total area of media printed (to a maximum of six digits).

## Using the Control Panel Menu

### The Printer Status Menu

These items track printer use and settings.

Item	Parameter	Explanation
Print Status Sheet	Print	Print a status sheet showing current printer settings. Use this option to view a variety of information about the printer on a single sheet.
Firmware Version	XXXXXXXX,X_XX,XXXX	View the printer Firmware Version.

### The Network Setup Menu

is the default setting.

Item	Parameter	Explanation
IP Address Setting		
Auto	-	Choose whether IP addresses are obtained automatically ( <b>Auto</b> ) using DHCP or manually ( <b>Panel</b> ). If <b>Panel</b> is selected, enter an IP address, subnet mask, and default gateway address. Contact your system administrator for detailed information.
	Panel	
	IP: XXX.XXX.XXX.XXX	
SM: XXX.XXX.XXX.XXX		
	DG: XXX.XXX.XXX.XXX	
Print Status Sheet	Print	Use Network Setup to print the current network status. Use this information for a complete overview of network settings.
Restore Settings	Yes	Select <b>Yes</b> to restore all items in the Network Setup menu to their default settings.
	No	

### The Preference Menu

is the default setting.

Setting items and setting values marked with asterisks indicate the following printer models.

\*1: SC-F7200 and SC-F7100 Series only; \*2: SC-F7000 Series only; \*3 SC-F7200 Series only; \*4 SC-F7100 and SC-F7000 Series only

Item	Parameter	Explanation
Date And Time	MM/DD/YY HH:MM	Set the printer's built-in clock. The time provided by the clock is used when printing logs and status sheets.

## Using the Control Panel Menu

Item	Parameter	Explanation
Language	Japanese	Select the language used in the control panel display.
	English	
	French	
	Italian	
	German	
	Portuguese	
	Spanish	
	Dutch	
	Russian	
	Korean	
Chinese		
Unit: Length	m	Choose the units of length used in the control panel display and when printing test patterns.
	ft/in	
Unit: Temperature* <sup>1</sup>	°C	Choose the temperature units used in the control panel display.
	F	
Alert Sound Setting	On	Enable ( <b>On</b> ) or disable ( <b>Off</b> ) the buzzer that sounds when an error occurs.
	Off	If the OK button is pressed when the warning buzzer is sounding, the sound stops.
Alert Lamp Setting	On	Enable ( <b>On</b> ) or disable ( <b>Off</b> ) the alert lamp that lights when an error occurs.
	Off	

## The Reset All Settings Menu

Setting items and setting values marked with asterisks indicate the following printer models.

\*1: SC-F7200 and SC-F7100 Series only; \*2: SC-F7000 Series only; \*3 SC-F7200 Series only; \*4 SC-F7100 and SC-F7000 Series only










Parameter	Explanation
Yes	Select <b>Yes</b> to reset all settings in the Preference menu except <b>Date And Time, Language, Unit: Length, and Unit: Temperature</b> * <sup>1</sup> .
No	



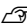

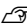
# Problem Solver

## When a Message is Displayed

If one of the following messages is displayed, read and follow the instructions below.

Messages	What to do
Auto Take-up Reel Unit stopped.	<p>(This message is displayed for the SC-F7000 Series only.)</p> <p>Media is not correctly attached to the Auto Take-up Reel Unit.</p> <p>Press the  button and select <b>Job Cancel</b> to cancel printing.</p> <p>Flip the Auto switch on the Auto Take-up Reel Unit to the Off position, then flip it back and reattach the media to the Auto Take-up Reel Unit.</p> <p> <a href="#">"Media Loading (SC-F7000 Series)" on page 54</a></p>
Check Ink Levels	<p>Chip unit is nearing end of service life. Obtain an ink pack of the appropriate color as soon as possible.</p> <p>Check the remaining ink in the ink tank via the scale on the ink pack. When remaining ink is 70 mm or less from the bottom of the ink tank, replace the chip unit and refill the ink. If the remaining ink level is greater than 70 mm from the base of the ink tank, continue use until the remaining ink reaches 70 mm.</p> <p> <a href="#">"Options and Consumable Products" on page 131</a></p> <p> <a href="#">"Notes on Handling Ink Packs and Ink Tanks" on page 25</a></p> <p> <a href="#">"Chip Unit Replacement and Ink Refills" on page 85</a></p>
Chip Unit Error Chip unit not recognized. Reattach or replace.	<ul style="list-style-type: none"> <li><input type="checkbox"/> Remove and reinsert the chip unit. If the same error still occurs, replace with a new chip unit.  <a href="#">"Chip Unit Replacement and Ink Refills" on page 85</a></li> <li><input type="checkbox"/> Condensation may have formed inside the tank. Keep at room temperature for at least 4 hours.  <a href="#">"Notes on Handling Ink Packs and Ink Tanks" on page 25</a></li> </ul>
Chip Unit Error Chip unit not recognized. Refill after matching ink pack with label?	<p>Use only the chip units from specified Epson ink packs.</p> <p>You cannot use unspecified Epson ink packs.</p> <p> <a href="#">"Options and Consumable Products" on page 131</a></p>
Command Error Check print settings on RIP.	<p>Press  and select <b>Job Cancel</b>. Check that the installed software RIP is compatible with the printer.</p>
F/W Install Error Firmware update failed. Restart the printer.	<p>Turn the printer off, wait for a few minutes, and then turn on the printer again.</p> <p>Use EPSON LFP Remote Panel 2 to update the firmware again.</p> <p>If this message appears on the LCD panel again, contact your dealer or Epson Support.</p>

### Problem Solver

Messages	What to do
Media Size Error Load correct size media.	<p>The media currently loaded is not the correct width. Raise the media loading lever and remove the media.</p> <p>The narrowest width supported by the printer is 300 mm. Be sure the media is at least 300 mm wide.</p> <p>If this message is displayed even though the media is the correct width, the printer may print if <b>Off</b> is selected for <b>Media Size Check</b>.</p> <p> <a href="#">"Printer Setup Menu" on page 115</a></p>
Prepare empty waste ink bottle.	<p>The Waste Ink Bottle is getting full. Ready a new Waste Ink Bottle.</p> <p> <a href="#">"Options and Consumable Products" on page 131</a></p>
Take-up Error Flip Auto switch to off and reattach media to roll core. Refer to manual for details.	<p>This message is displayed for the SC-F7200 and SC-F7100 Series only.</p> <p>Media is not correctly attached to the Auto Take-up Reel Unit.</p> <p>Flip the Auto switch on the Auto Take-up Reel Unit to the off position, then flip it back and re-load the media to the Auto Take-up Reel Unit.</p> <p> <a href="#">"Media Loading (SC-F7200/SC-F7100 Series)" on page 46</a></p>

## When a Maintenance Call/Service Call Occurs

Error messages	What to do
Maintenance Request A part used in the printer is nearing the end of its service life. XXXXXXXX	<p>A part used in the printer is nearing the end of its service life.</p> <p>Contact your dealer or Epson Support and tell them the maintenance request code.</p> <p>You cannot clear the maintenance request until the part is replaced. A service call occurs if you continue to use the printer.</p>
Call For Service XXXX Error XXXX Power off and then on. If this doesn't work, note the code and call for service.	<p>A call for service occurs when:</p> <ul style="list-style-type: none"> <li><input type="checkbox"/> The power cable is not connected securely</li> <li><input type="checkbox"/> An error that cannot be cleared occurs</li> </ul> <p>When a call for service has occurred, the printer automatically stops printing. Turn off the printer, disconnect the power cable from the outlet and from the AC inlet on the printer, and then reconnect. Turn on the printer again multiple times.</p> <p>If the same call for service is displayed on the LCD panel, contact your dealer or EpsonSupport for assistance. Tell them the call for service code is "XXXX".</p>

## Problem Solver

## Troubleshooting

### You Cannot Print (Because the Printer Does Not Work)

#### The printer does not turn on.

- **Is the power cable plugged into the electrical outlet or the printer?**

Make sure the power cable is securely plugged into the printer.

- **Is there any problem with the electrical outlet?**

Make sure your outlet works by connecting the power cable for another electric product.

#### The printer is not communicating with the computer.

- **Is the cable plugged in properly?**

Make sure the printer's interface cable is securely plugged into the correct terminal of the computer and the printer. Also, make sure the cable is not broken nor bent. If you have a spare cable, try connecting with the spare cable.

- **Does the interface cable specification match the specifications for the computer?**

Make sure the interface cable specifications match the specifications for the printer and the computer.

 ["Specifications Table" on page 164](#)

- **When using a USB hub, is it being used correctly?**

In the USB specification, daisy-chains of up to five USB hubs are possible. However, we recommend that you connect the printer to the first hub connected directly to the computer. Depending on the hub you are using, the operation of the printer may become unstable. If this should occur, plug the USB cable directly into your computer's USB port.

- **Is the USB hub recognized correctly?**

Make sure the USB hub is recognized correctly on the computer. If it has, disconnect the USB hub from the computer and connect the computer directly to the printer. Ask the USB hub manufacturer about USB hub operation.

#### You cannot print under the network environment.

- **Are the network settings correct?**

Ask your network administrator for the network settings.

- **Connect the printer directly to the computer using a USB cable, and then try to print.**

If you can print via USB, there are some problems on the network environment. Ask your system administrator, or refer to the manual for your network system. If you cannot print via USB, see the appropriate section in this User's Guide.

#### The printer has an error.

- **Confirm if errors have occurred in the printer by checking the lights and messages on the printer's control panel.**

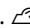
 ["Control Panel" on page 19](#)

 ["When a Message is Displayed" on page 121](#)

### The Printer Sounds Like It Is Printing, But Nothing Prints

#### The print head moves, but nothing prints.

- **Confirm the printer operation.**

Print a test pattern. Test patterns can be printed without connecting the printer to a computer and hence can be used to check printer function and status.  ["Checking for Clogged Nozzles" on page 99](#)

Refer to the following section for information on what to do if the pattern does not print correctly.

- **Is the message Motor Self Adjustment displayed on the control panel's screen?**

The printer adjusts the internal motor. Wait for a while without turning off the printer.

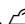
## Problem Solver

### Test Pattern Does Not Print Correctly

- **Perform head cleaning.**  
The nozzles may be clogged. Print a test pattern again after performing head cleaning.

 ["Head Cleaning" on page 100](#)

- **Has the printer been left unused for a long time?**

If the printer has not been used for a long time, the nozzles may have dried up and have been clogged. Steps to take when the printer has not been used for a long time.  ["Notes When Not Using the Printer" on page 24](#)

### The Prints Are Not What You Expected

#### Print quality is poor, uneven, too light, or too dark.

- **Are the print head nozzles clogged?**  
If the nozzles are clogged, specific nozzles do not fire ink and the print quality declines. Try printing a test pattern.

 ["Checking for Clogged Nozzles" on page 99](#)

- **Was Head Alignment performed?**  
Select Head Alignment to realign the print head when print results seem grainy or out of focus.

 ["Correcting Print Misalignment \(Head Alignment\)" on page 67](#)

- **Have you tried Feed Adjustment?**  
Large discrepancies in the feed amount cause banding (horizontal banding, lines, or strips of uneven color). Perform Feed Adjustment according to the media used.

 ["Feed Adjustment" on page 62](#)

- **Are you using a genuine Epson ink pack?**  
The printer is designed for use with the genuine Epson ink packs specified in this manual. Using any other type of ink pack may result in reduced print quality.


We recommend using only the genuine ink packs specified in this manual.

- **Are you using an old ink pack?**  
The print quality declines when an old ink pack is used. Use a new ink pack. Use all the ink in the ink pack before the date printed on ink pack.

- **Is the after heater temperature appropriate?**  
Raise the temperature if the print results are blurred or smudged or the ink clots. Note, however, that raising the temperature too high can cause the media to shrink, wrinkle, or deteriorate.

In addition, the heaters may require some time to reach the desired temperature if the ambient temperature is low. The after heater may also not have the desired effect after reaching the selected temperature if the media is too cold. Allow the media to warm to room temperature before use.

- **Are media settings correct?**  
Confirm that the media settings in the software RIP or on the printer match the media actually in use.

- **Is Data Width selected for Head Movement?**  
Selecting **Data Width for Head Movement** in the setup menu increases print speed but may slightly reduce print quality. For better quality results, select **Printer Full Width for Head Movement**.  ["Printer Setup Menu" on page 115](#)

- **Have you compared the printing result with the image on the display monitor?**  
Since monitors and printers produce colors differently, printed colors will not always match on-screen colors perfectly.

- **Was a printer cover opened during printing?**  
Opening covers during printing causes the print head to stop abruptly, resulting in uneven colors. Do not open the covers while printing is in progress.

## Problem Solver

## The print is not positioned properly on the media.

- **Is the media loaded correctly and are the margins correct?**  
If the media is not loaded correctly, the results may be off center or part of the data may not be printed. Make sure the loading method suits your setup.

[🔗 "Loading Media \(SC-F7200/SC-F7100 Series\)" on page 30](#)

[🔗 "Loading Media \(SC-F7000 Series\)" on page 37](#)

You should also check whether the correct options are selected for **Side Margin** and **Print Start Position** in the setup menu.

[🔗 "Printer Setup Menu" on page 115](#)

- **Is the media skewed?**  
If **Off** is selected for **Media Skew Check** in the setup menu, printing will continue when the media is skewed and data will appear outside the print area. Set **Media Skew Check** to **On** in the Menu.

[🔗 "Printer Setup Menu" on page 115](#)

- **Is the media wide enough for the print data?**  
Although printing normally stops if the print image is wider than the media, data will be printed beyond the edges of the media if **Off** is selected for **Media Size Check** in the setup menu. Ink used outside the edges of the media will stain the inside of the printer. Changed settings are reflected when the media is re-loaded.

[🔗 "Printer Setup Menu" on page 115](#)

## Vertical ruled lines are misaligned.

- **Is the print head misaligned? (in bidirectional printing)**  
With bidirectional printing, the print head prints while moving left and right. If the print head is misaligned, ruled lines may be misaligned accordingly. If vertical ruled lines are misaligned with bidirectional printing, perform Head Alignment.

[🔗 "Correcting Print Misalignment \(Head Alignment\)" on page 67](#)

## The printed surface is scuffed or soiled.

- **Is the media too thick or too thin?**  
Check media specifications to confirm that it is compatible with the printer. If you are using a software RIP, contact the manufacturer for information on the settings and media that can be used.

- **Is the media wavy?**  
Certain types of media may develop waves under some conditions (humidity and temperature) while installed in the printer. If a wave has developed, press the ▼ button in the control panel to feed the media and avoid the affected area. We recommend that you lower the temperature and humidity to prevent waves developing.

- **Is the media creased or folded?**  
Media that is creased or folded may rise from the platen and contact the print head, resulting in smudges or uneven colors.

- **Are the wiper, caps, or print head stained?**  
Ink clots or lint around the wiper, caps, or print head may result in stains caused by a build-up of ink. Clean the affected area.

[🔗 "Cleaning" on page 78](#)

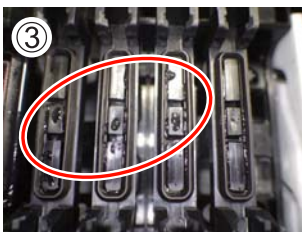
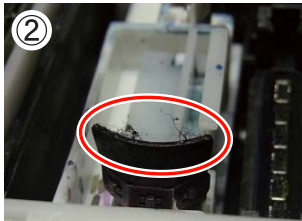
- **Is the print head striking the printed surface?**  
Smear caused by the print head striking the media can be prevented by adjusting the **Platen Gap** to suit the media.

[🔗 "Platen Gap" on page 62](#)

**Problem Solver**

**Nozzle clogs cannot be cleared.**

■ **Is cleaning being performed?**



As shown in photos (1) and (2), if lint or dust adheres to the area around the print head, caps, or wipers, nozzle clogs may occur during printing. Moreover, if the lint or dust is left adhered, nozzle clogs cannot be cleared even after repeated head cleaning. Also, if some ink drops onto the cap as shown in photo (3), nozzle clogs may occur.

Clean each area.

["Cleaning Around the Print Head" on page 78](#)

**Ink drops**



■ **Is media being handled appropriately?**

If the following points are not observed when handling media, small amounts of dust and lint may stick to the media surface and cause ink drops in the print results.

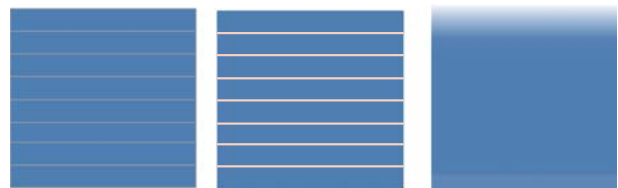
- Do not place exposed media directly on the floor.  
Media should be rewound and inserted in its original packaging for storage.
- Do not carry media with the media surface pressed against clothing.  
Handle media in its individual packaging until just before loading the media in the printer.

■ **Has any lint adhered to the nozzle surface of the print head?**

If any lint adheres to the nozzle surface of the print head, some ink may drop from the lint. Clean around the print head.

["Cleaning Around the Print Head" on page 78](#)

**Horizontal lines or strips of uneven color (banding)**



**Multiple causes are possible.**

When you are printing with 1 pass/2 pass on the SC-F7200 and SC-F7100 Series, carry out the instructions from Step 1. In other cases, carry out the following procedure from step 2 until the print results improve.

Before starting work, always perform a nozzle check and Head Alignment. If nozzles are clogged or the head is misaligned, no measures will result in improvements.

["Checking for Clogged Nozzles" on page 99](#)

["Correcting Print Misalignment \(Head Alignment\)" on page 67](#)

**1** Slow Feed Speed in the setup menu.

If media printed with 1 pass/2 pass is taken up on the SC-F7200 and SC-F7100 Series, banding may occur. The solution depends on the selected Media Setup menu setting. Carry out the instructions for the selected setting.

**Problem Solver**

- ❑ When RIP Settings is selected  
Slow the feed speed of the software RIP.
- ❑ When 1 to 30 (media setting banks) is selected  
Set Feed Speed in the setup menu to **Lv1**.

**2** Check the attachment of the media holding plates

If a media holding plate is not installed correctly, media feeding may be disturbed. See the following reference and reattach the media holding plates.

[🔗 “Loading and Exchanging Media” on page 30](#)

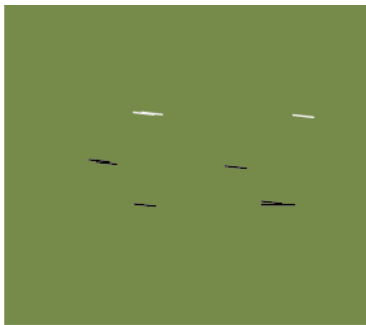
If installing the media holding plate correctly still does not resolve the problem, perform the following measure.

**3** Feed Adjustment

Feed adjustment may be required independently depending on the media used. If the roll width is different, independent adjustment is required even with the same media. For more accurate adjustment, print a test pattern using the following settings: **Manual - 500mm Pattern**.

[🔗 “Feed Adjustment” on page 69](#)

**Stains Due to Head Striking**



**The media and print head are contacting during printing.**

Perform the following sequence until the print results have improved.

**1** Cut sections of media with wrinkles or waviness

If media is stored inappropriately or left loaded in the printer, wrinkles and waviness may occur. If media is used in this state, the print head and the raised surface of the media may contact and cause staining. Cut sections with wrinkles or waviness before using media.

Furthermore, store media as described in the manual accompanying the printer and load media in the printer just before printing.

If the problem is not resolved even when printing on sections without wrinkles or waviness, perform the following measure.

**2** Loading the media in the printer correctly and configuring the media settings appropriately

If the media loading method, heating temperature, tension, suction and other settings are inappropriate, wrinkles and waviness occur on the media. Make sure the loading method and settings are correct.

[🔗 “Loading and Exchanging Media” on page 30](#)

If the measures above do not resolve the problem, perform the following measure.

**3** Checking that the media is loaded correctly in the Auto Take-up Reel Unit

If the method to attach the media to the take up roll core is inappropriate, media may move around during take-up, which may cause wrinkles and raised sections.

Make sure media is being loaded on the Auto Take-up Reel Unit correctly.

[🔗 “Using the Auto Take-up Reel Unit” on page 46](#)

**4** Set the after heater temperature correctly.

Adjust the after heater temperature to suit the media.



## Problem Solver

## Media

### Media Is Creased

- **Are the Feeding Tension, Media Tension, and Feed Speed options in the setup menu correct for the current media?**

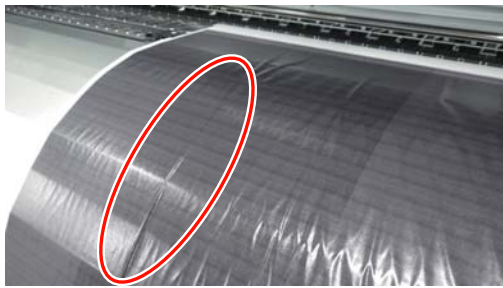
If these options are not correctly adjusted for the current media, the media may be creased or torn during printing.

🔗 ["Feeding Tension \(SC-F7200/SC-F7100 Series only\)" on page 65](#)

🔗 ["Media Tension \(SC-F7000 Series only\)" on page 66](#)

🔗 ["Feed Speed" on page 67](#)

- **Is media printed at a high density being taken up? (SC-F7200/SC-F7100 Series)**



If thin media or media lengthened by water absorption is printed at a high density is being taken up, creases may appear in the media in the after heater. In the setup menu, set **Take-up Tension** to **Manual**, and set the value to **Lv1** or **Lv2**. Alternatively, we recommend using thicker media.

🔗 ["The Media Setup Menu" on page 109](#)

- **Is the after heater temperature too high?**  
Adjust the after heater temperature to suit the media.

- **Try selecting Off for Tension Measurement in the setup menus. (SC-F7000 Series)**

Automatic tensioning may fail to maintain some types of media at the appropriate tension, resulting in excessive slack or other tensioning problems that interfere with printing.

🔗 ["Tension Measurement" on page 65](#)

### Media Jams

- **Is the media creased or folded?**  
Media with a strong curl or that is folded back on its leading edge or creased may cause jams or other media feed problems. Do not use media affected by these types of problems.

- **Is the media too thick or too thin?**  
Check the media specifications to determine whether it can be used in the printer. If you are using a software RIP, contact the manufacturer for information on the settings and media that can be used.

- **Is Media Suction set too high?**  
Reduce Media Suction. 🔗 ["Media Suction" on page 64](#)

### Printing does not stop when the roll ends (SC-F7000 Series)

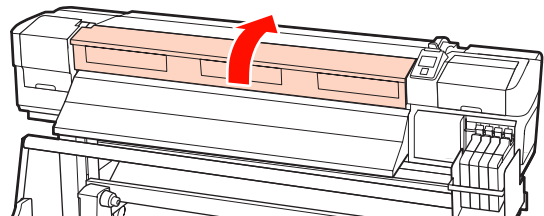
- **Is Off selected for Tension Measurement?**  
**Periodically** is recommended in most circumstances.  
🔗 ["Tension Measurement" on page 65](#)

### Removing Jammed Media

Follow the steps below to remove jammed media.

- ⚠️ **Caution:**  
*Be careful not to trap your hands or fingers when opening or closing the front cover. Failure to observe this precaution could result in injury.*

- 1 Open the front cover.



- 2 Turn off the printer.

If a message is displayed and the printer will not turn off, unplug the power cable.



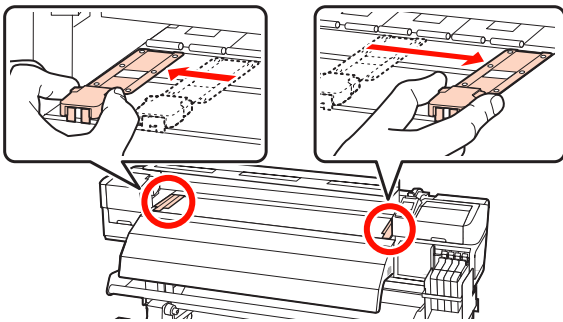
**Problem Solver**

**3** Move the media holding plates out of the way.

**! Important:**  
 Cease use of the printer if the media holding plates are deformed. Continued use could damage the pressure rollers or print head.  
 Contact your dealer or Epson Support.

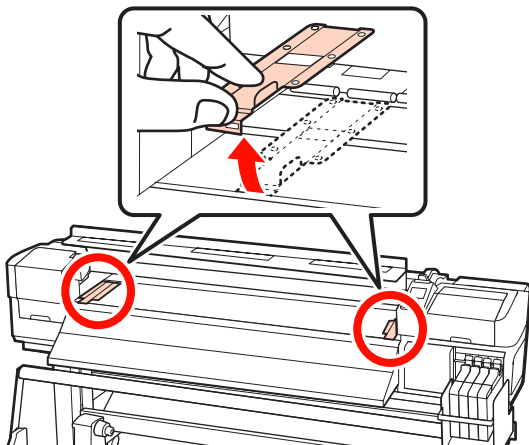
**Sliding media holding plates**

Move the media holding plates to the right and left sides of the platen. Hold both tabs on the media holding plates to move them.

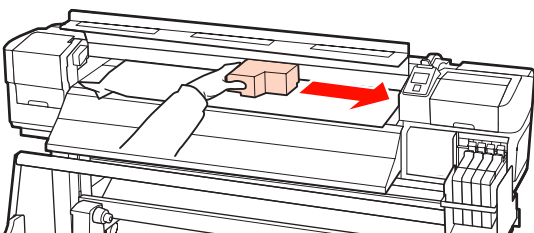


**Insertable media holding plates**

Remove the media holding plates from both edges of the media.

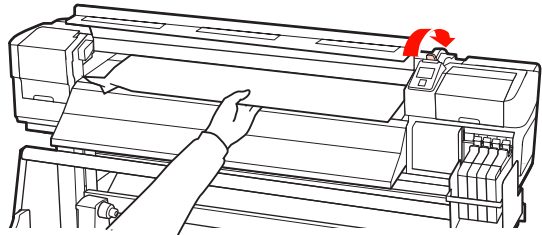


**4** If the print head is over the media, move it away from the jam.

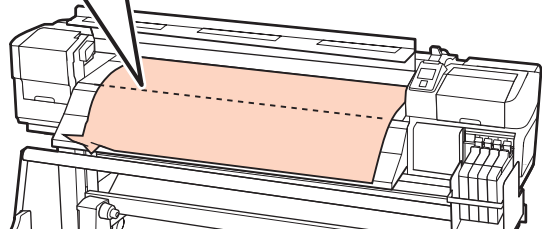
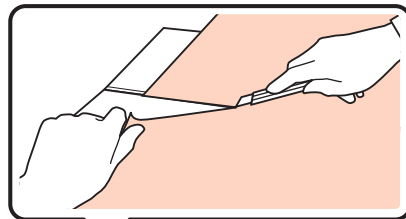


**! Important:**  
 Move the print head only after removing the media holding plates. Contact with deformed media holding plates could damage the print head.

**5** Raise the media loading lever.



**6** Pull the media to the cutter groove and use a cutter to remove torn or creased portions.



**7** Manually rewind the cut media.

**8** Remove any media that remains inside the printer.

**9** Turn on the power to the printer and perform a nozzle check.

Check the printed check pattern, and if there are any clogs, perform head cleaning.

[“Checking for Clogged Nozzles” on page 99](#)

**Problem Solver**



**Important:**

*If the printer is left off for an extended period, the print head will be left uncapped and dry out, and will not print properly when printing resumes.*

*Turning the printer on automatically caps the print head.*

Reload the media and resume printing.

[“Loading Media \(SC-F7200/SC-F7100 Series\)” on page 30](#)

[“Loading Media \(SC-F7000 Series\)” on page 37](#)

**Media is not fed straight or taken up well (SC-F7200/SC-F7100 Series)**

■ **Has parallel adjustment been performed for the Media Feeding Unit and Auto Take-up Reel Unit?**

Perform parallel adjustment for the Media Feeding Unit and Auto Take-up Reel Unit when there are problems with media feeding or take-up and after moving the printer.

[“Parallel Adjustment” on page 139](#)

■ **Is take-up occurring with the printed side facing out?**

Take up media with the printed side facing in.

■ **Is narrow media being taken up?**

We recommend using media with a width of 36 inches or greater.

■ **Is thick media being taken up?**

When thick printed media is being taken up, we recommend setting the print settings of the software RIP to 3 passes or higher.

**Others**

**The after heater turns off automatically**

- The after heater will turn off if no print job is received for some time and no error occurs. The time before the after heater turns off automatically can be selected using the **Heat Off Timer** option in the setup menu.

[“Printer Setup Menu” on page 115](#)

The after heater will be reactivated when a print job is received, the media loading lever is used, or another operation involving printer hardware is performed.

**The control panel display keeps turning off.**

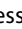
■ **Is the printer in sleep mode? For the SC-F7200/SC-F7100 Series**

The printer enters sleep mode when the **Heat Off Timer** expires and the heaters turn off. The time before the after heater turns off can be selected using the Printer Setup menu.

[“Printer Setup Menu” on page 115](#)

The after heater will be reactivated and sleep mode will end when a print job is received, the media loading lever is used, or another operation involving printer hardware is performed.

**SC-F7000 Series**

Press the  button on the control panel to return to the normal state. The time before the printer enters sleep mode can be selected in the Printer Setup menu.

[“Printer Setup Menu” on page 115](#)

**The red light is on inside the printer.**

■ **This is not a failure.**

The red light is a light inside the printer.

**The administrator password has been forgotten.**

■ **Reset the password.**

At the Network Setup menu of the control panel, run **Restore Settings**, and then set a new password.

[“The Network Setup Menu” on page 119](#)

# Appendix

## Options and Consumable Products

The following options and consumable products are available for use with your printer. (As of April 2015)

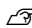
For the latest information, see the Epson Web site.




**Important:**

Refilling the ink tank with an ink pack not specified in this manual can damage the printer. Epson is not responsible for any damages or injuries incurred through the use of unspecified Epson genuine ink packs, even if the printer is still within warranty.

### Ink packs

Printer model	Product		Part number	Explanation
SC-F7200/ SC-F7270  SC-F7100/ SC-F7170  SC-F7000/ SC-F7070	Ink packs	High Density Black	T741X	Epson recommends the use of genuine Epson ink packs. Epson cannot guarantee the quality or reliability of nongenuine ink. The use of non-genuine ink may cause damage that is not covered by Epson's warranties, and under certain circumstances, may cause erratic printer behavior. Information about non-genuine chip unit status may not be displayed, and use of non-genuine ink is recorded for possible use in service support.  <a href="#">"Chip Unit Replacement and Ink Refills" on page 85</a>
		Black	T7411	
		Cyan	T7412	
		Magenta	T7413	
		Yellow	T7414	
SC-F7280  SC-F7180  SC-F7080	Ink packs	High Density Black	T742X	
		Black	T7421	
		Cyan	T7422	
		Magenta	T7423	
		Yellow	T7424	

### Others


Product	Part number	Explanation
Maintenance Kit (except for SC-F7280/SC-F7180/ SC-F7080)	C13S210038	Contains the cleaning sticks, gloves, wiper, wiper cleaner, ink cleaner, cleaning wiper, and cup required for printer maintenance.
Maintenance Kit (for SC-F7280/SC-F7180/ SC-F7080)	C13S210039	 <a href="#">"Cleaning" on page 78</a>
Waste Ink Bottle	T7240	Identical to the Waste Ink Bottle supplied with the printer.
Media Holding Plate	C12C932121	Identical to the media holding plate supplied with the printer.

Appendix

## Supported Media

The following media can be used with the printer.

Print quality is greatly affected by the type and quality of media used. Choose a media suited to the task at hand. For information on use, refer to the documentation supplied with the media or contact the manufacturer. We recommend that you print a test run and check the results before purchasing media in large quantities.

 **Important:**  
Do not use media that is wrinkled, scuffed, torn, or dirty.

### Standard Roll Media System

Roll core size	2 or 3 inch
Roll outer diameter	Up to 250 mm
Media width	300 to 1626 mm (64 inches)
Media thickness	Up to 1 mm
Roll weight	Up to 40kg

## Moving and Transporting the Printer


This section describes how to move and transport the product.

---

### Moving the Printer

This section assumes that the product is being moved to another location on the same floor without traversing stairs, ramps, or lifts. See below for information on moving the printer between floors, to another building, or between non-level floors.


 [“Transport” on page 133](#)

 **Caution:**  
Do not tilt the product more than 10 degrees forward or back while moving it. Failure to observe this precaution could result in the printer falling over, causing accidents.

### Getting Ready

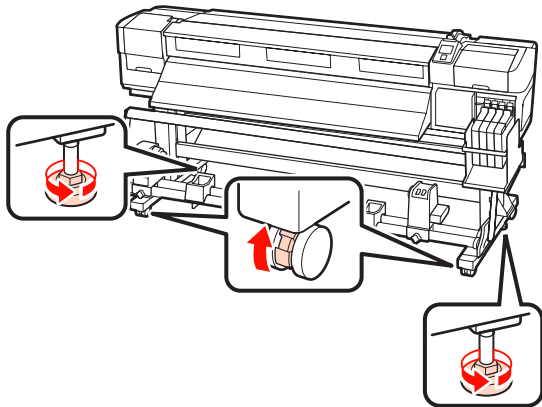
Remove the media guide bar when the frontage or passageway is narrow.

 [“Removing the Media Guide Bar” on page 133](#)

- 1** Confirm that the printer is off.
- 2** Remove the Waste Ink Bottle.  
 [“Replacing the Waste Ink Bottle” on page 91](#)
- 3** Disconnect the power cords and all other cables.
- 4** Remove media from the Media Feeding Unit and Auto Take-up Reel Unit.

Appendix

- 5** Unlock the stand.  
Release the caster locks on the left and right legs and fully raise the stand fixing screws. The SC-F7200 Series has two caster locks on each leg while the SC-F7100 and SC-F7000 Series only has one caster lock on each leg.



- 6** Move the printer.  
**! Important:**  
*Use the casters on the dedicated printer stand to move the printer indoors a short distance over a level floor. They can not be used for transport.*

**Post-Move Setup**

After moving the printer, follow the steps below to ready it for use.

- 1** Check that the new location is appropriate.  
*☞ Setup Guide*
- 2** If the the media guide bar was removed, reattach it.  
*☞ “Attaching the Media Guide Bar” on page 136*
- 3** Perform parallel adjustment for the Media Feeding Unit and Auto Take-up Reel Unit.  
*☞ “Parallel Adjustment” on page 139*
- 4** Plug in the power cables and turn the printer on.  
*☞ Setup Guide*

- 5** Perform a nozzle check to check for clogged nozzles.  
*☞ “Checking for Clogged Nozzles” on page 99*
- 6** Perform Head Alignment and check print quality.  
*☞ “Head Alignment” on page 63*

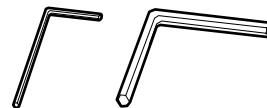
**Transport**

Before transporting the printer, contact your dealer or Epson Support.

**Removing and Attaching the Media Guide Bar**

**Removing the Media Guide Bar**

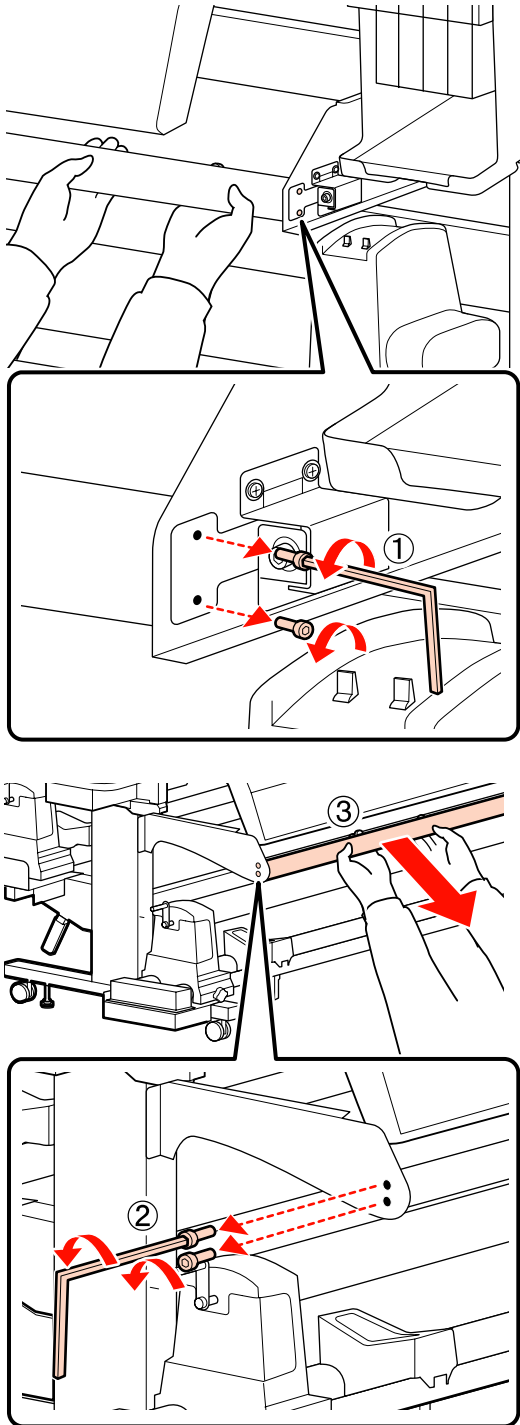
Parts used in the following operation



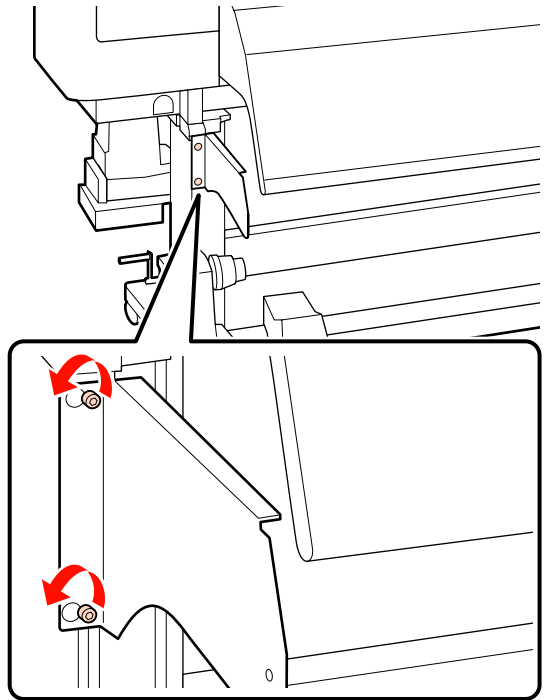
- 1** Confirm that the printer is off.
- 2** Remove the media guide bar.  
Use the included hexagon wrench (small) to completely loosen the 4 screws securing the media guide bar, and then remove the media guide bar.

**! Important:**  
*Remove the bar using two or more people. If the media guide bar locking screws are removed, the media guide bar will fall. Have one person hold the media guide bar while the screws are being removed.*  
  
*If the media guide bar falls, it may be deformed.*

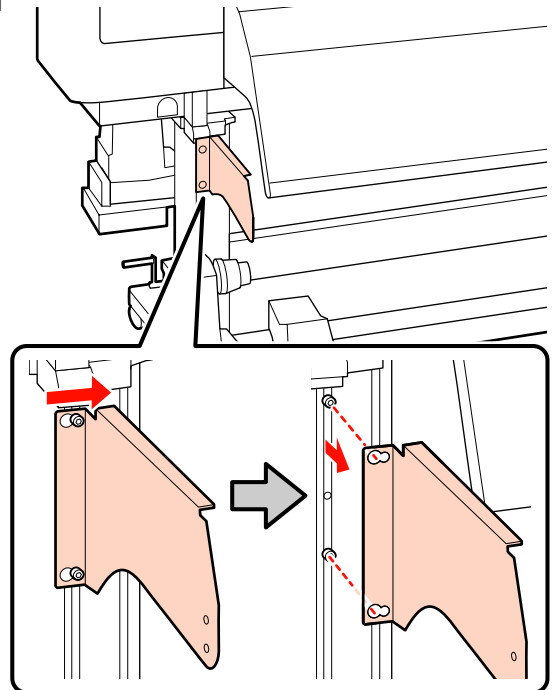
Appendix



**3** Use a hexagon wrench (large) to rotate the two screws a couple of turns to loosen them.



**4** Remove the left fixture.

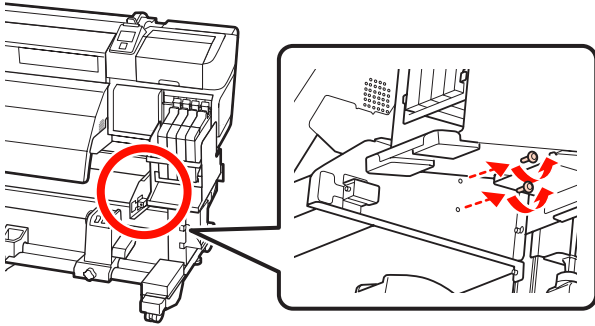


**5** Remove the right fixture.

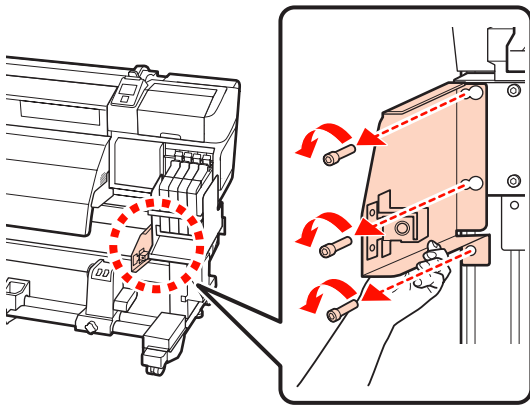
**SC-F7200 Series**

(1) Use a hexagon wrench (small) to remove the two screws.

Appendix

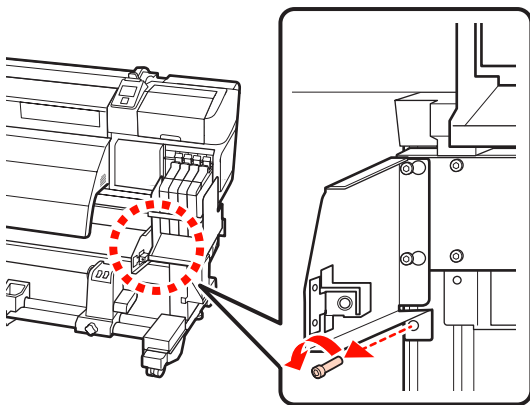


(2) While supporting the fixture, use a hexagon wrench (large) to remove the three screws.

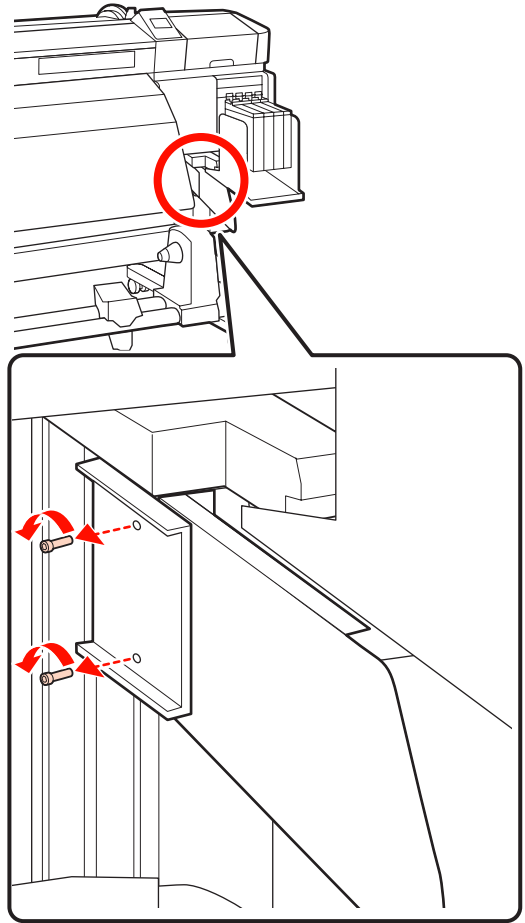


**SC-F7100 Series**

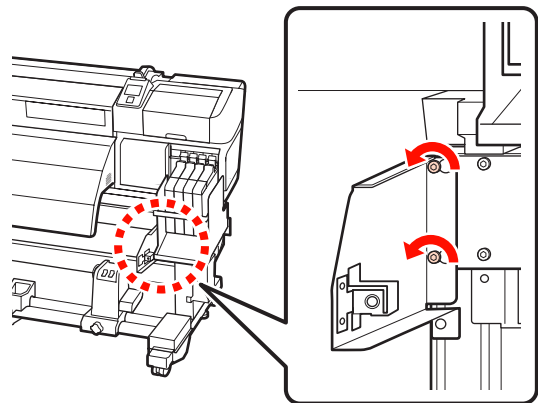
(1) Use a hexagon wrench (large) to remove a screw.



(2) Use a hexagon wrench (large) to remove two screws.



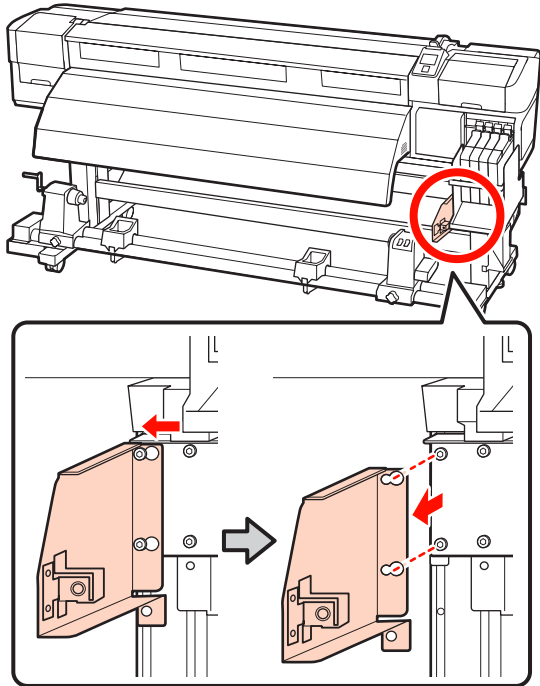
(3) Use a hexagon wrench (large) to rotate the two screws a couple of turns to loosen them.



(4) Slide the fixture to the left, and then pull it forward.



Appendix



**Attaching the Media Guide Bar**

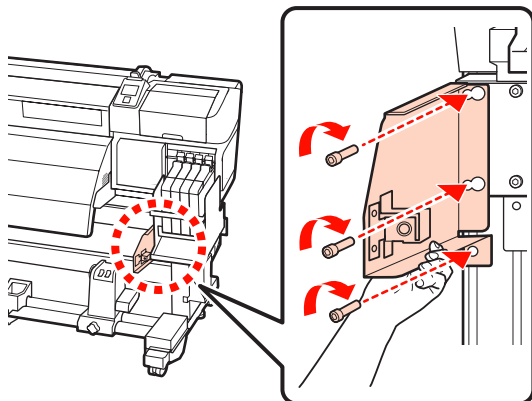
Parts used in the following operation



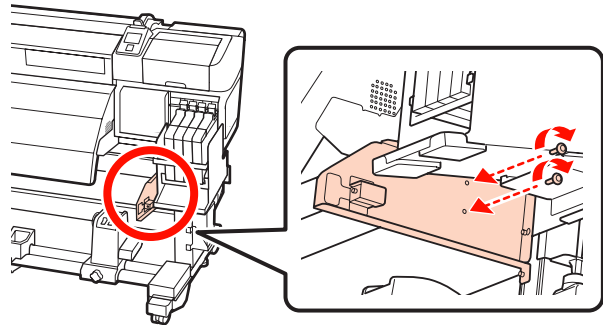
**1** Attach the right fixture.

**SC-F7200 Series**

(1) While supporting the fixture, use a hexagon wrench (large) to tighten and firmly secure the three screws.

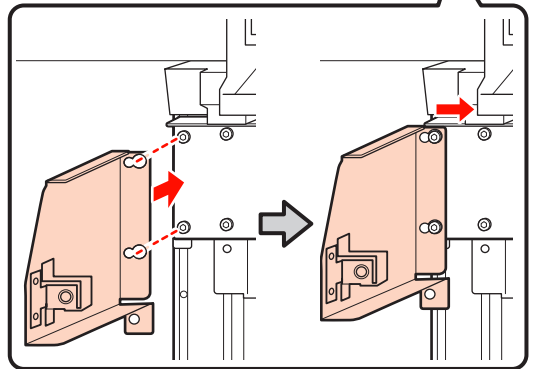
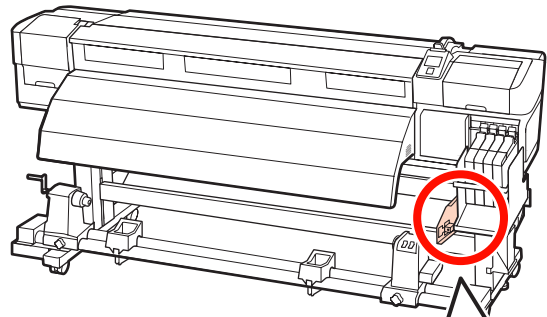


(2) Use the hexagon wrench (small) to tighten and firmly secure the two screws.



**SC-F7100 Series**

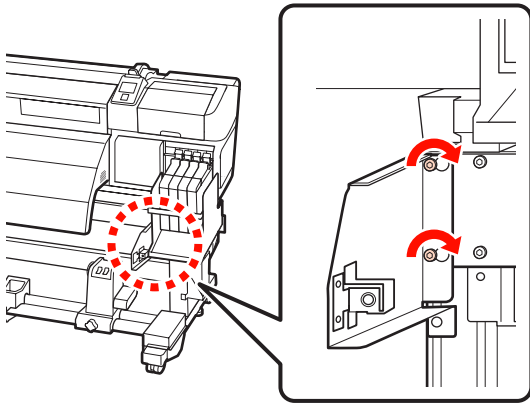
(1) Place the holes in the fixture over the two screws, and then slide it to the right.



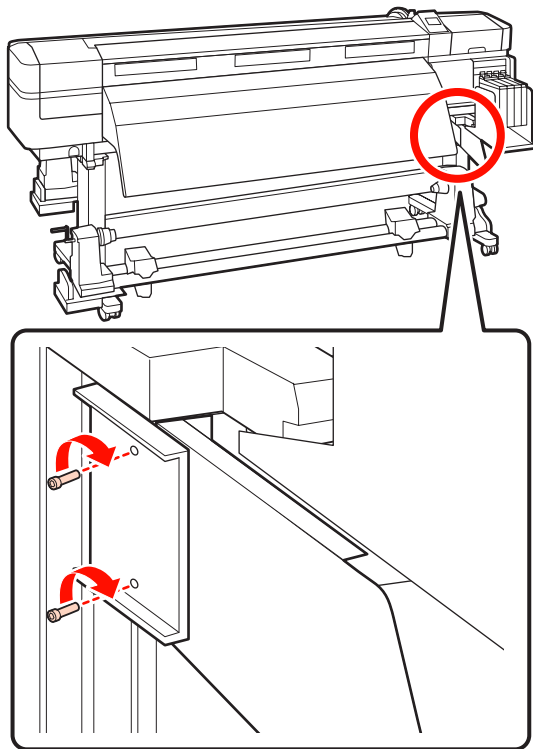
(2) Use the hexagon wrench (large) to tighten and firmly secure the two screws that were provisionally secured.



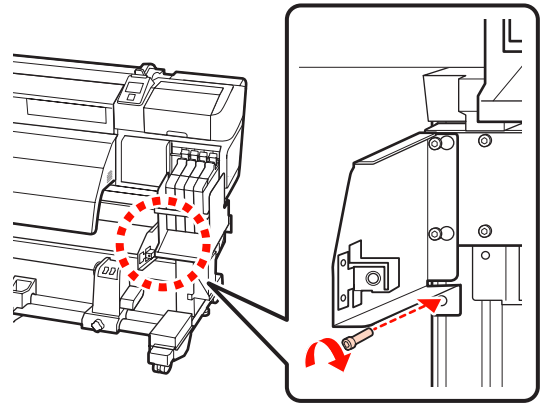
Appendix



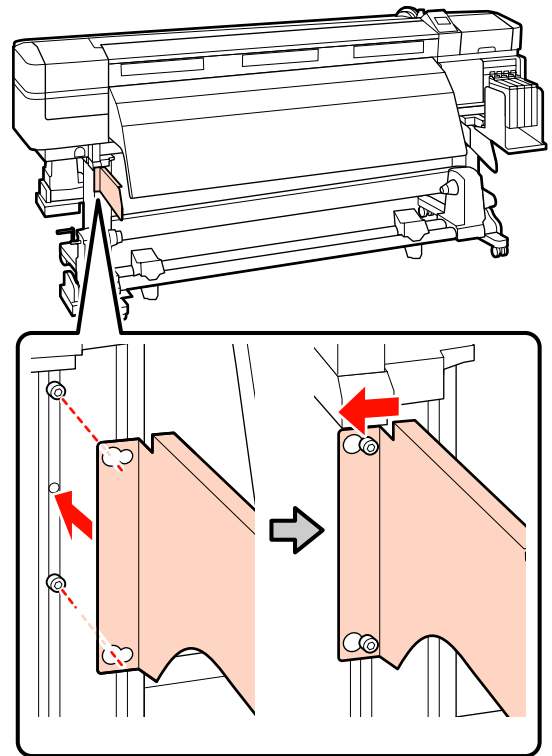
(3) Use the hexagon wrench (large) to tighten and firmly secure the 2 screws.



(4) Use the hexagon wrench (large) to tighten and firmly secure a screw.

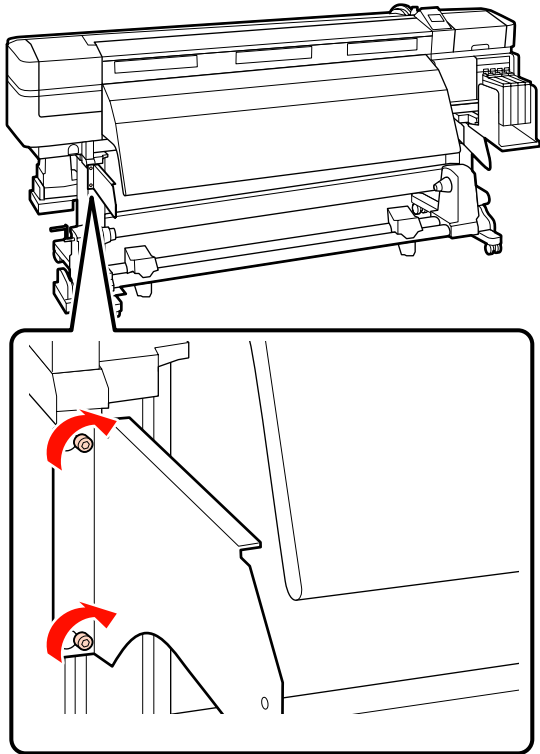


**2** Attach the left fixture.



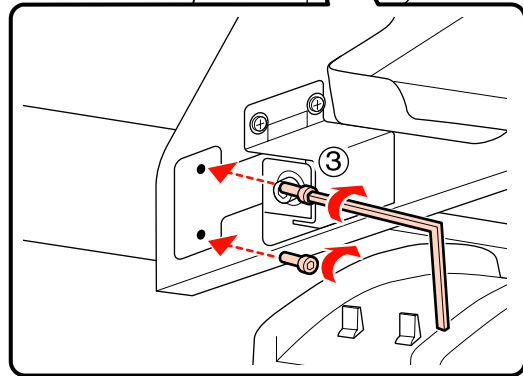
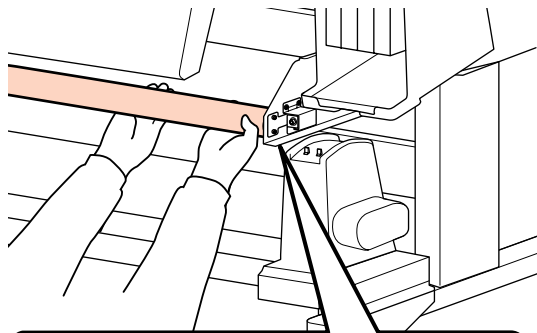
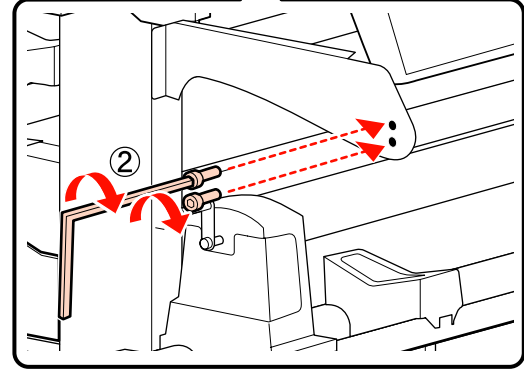
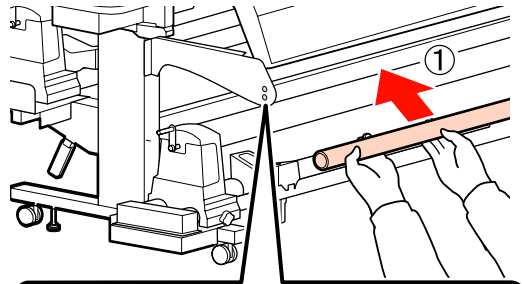
Appendix

- 3** Use the hexagon wrench (large) to tighten and firmly secure the two screws that were provisionally secured.



- 4** Use the hexagon wrench (small) to tighten the four screws and secure the media guide bar.

**!** **Important:**  
 Attach the bar using 2 or more people. If the media guide bar falls, it may be deformed. Have 1 person hold the media guide bar when the screws are being secured.



- 5** Perform parallel adjustment.

After attaching the media guide bar, read the following section, and then proceed to parallel adjustment.

Appendix

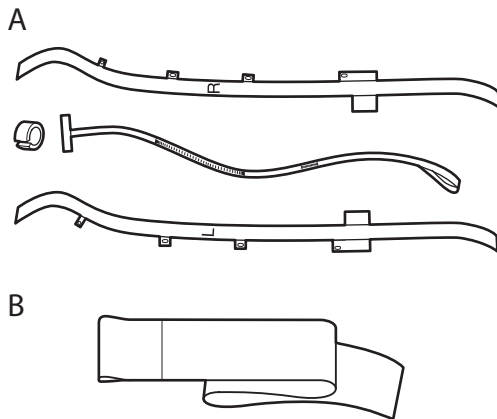
# Parallel Adjustment

In the following cases, perform parallel adjustment for the Media Feeding Unit and Auto Take-up Reel Unit.

- ❑ There are problems with media feeding
- ❑ There are problems with take-up
- ❑ The printer has been moved

Parallel adjustment requires two persons because the front and rear side of the printer must be checked and adjusted simultaneously.

Perform parallel adjustment using the included roll core and adjustment tools. Two types of adjustment tools may be included. When both A and B are included, use A.



For parallel adjustment using A, read the next section.

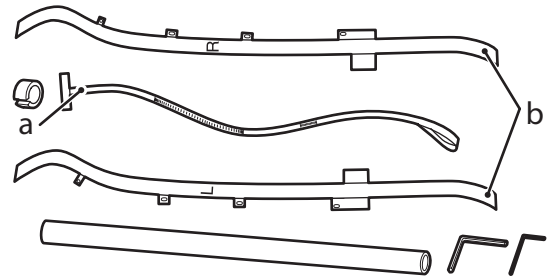
For parallel adjustment using B, read the following.

[“Parallel Adjustment Using Tool B” on page 150](#)

## Parallel Adjustment Using Tool A

Parts used in the following adjustment

The SC-F7200 and SC-F7100 Series includes two types of hexagon wrenches. For parallel adjustment of the Media Feeding Unit, use the large hexagon wrench.

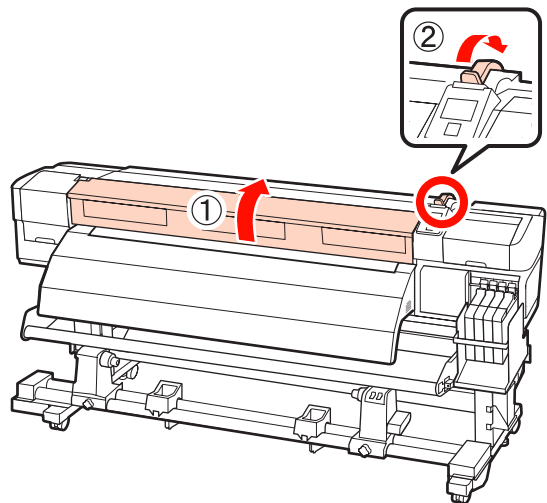


**Note:**

*When the film will be reused, the adhesive side may be soiled. Soak a lint-free cloth in water, wring it out, and then use it to wipe away the dust and lint stuck to the reverse side.*

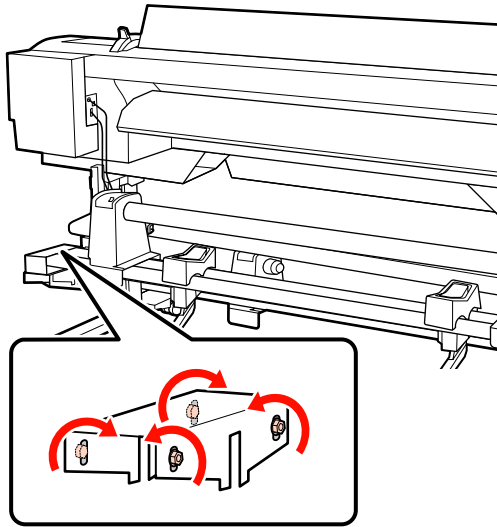
## Media Feeding Unit

- 1 Confirm that the printer is off.
- 2 Open the front cover and raise the media loading lever.

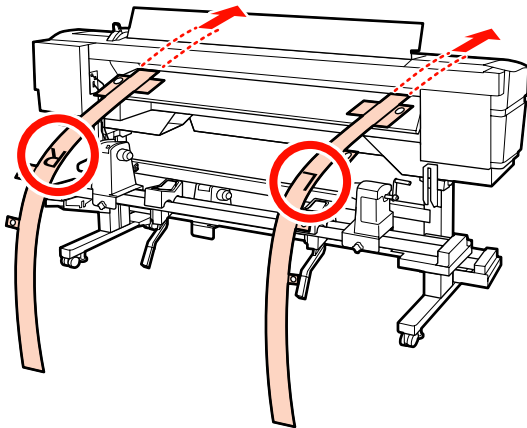


Appendix

- 3** On the rear side of the printer, use the large hexagon wrench to loosen the four fixing screws in the illustration.

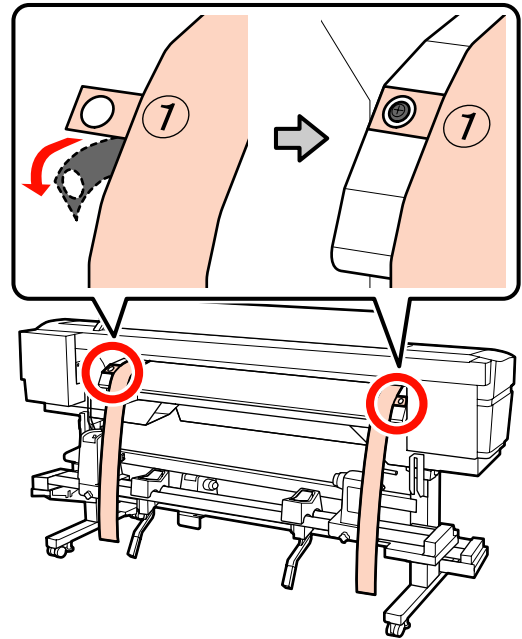


- 4** Pass the left and right sides of film b from the rear to the front.



- 5** As shown in the illustration, align Hole 1 of film b with the screws on the left and right edges of the loading guide, and then adhere it.

If the film is being used for the first time, remove the protective film on the reverse side.



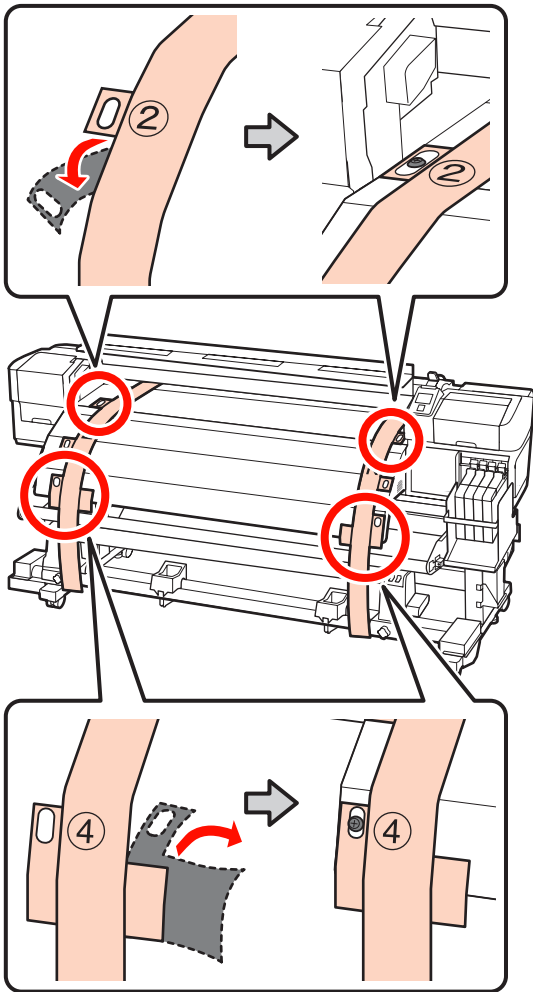
- 6** As shown in the illustration, align Hole 2 and 4 of film b at the front of the printer with the screws on the left and right side of the after heater, and then adhere them.

If the film is being used for the first time, remove the protective film on the reverse side.

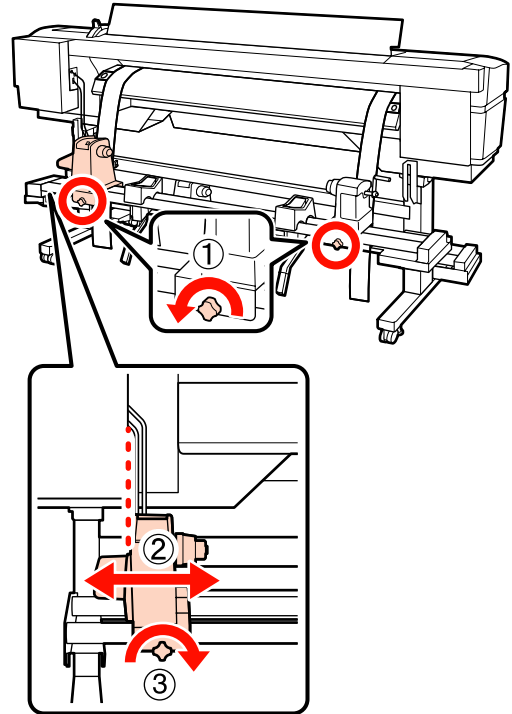
Align Hole 2 with the screw at the top section of the after heater.

Appendix

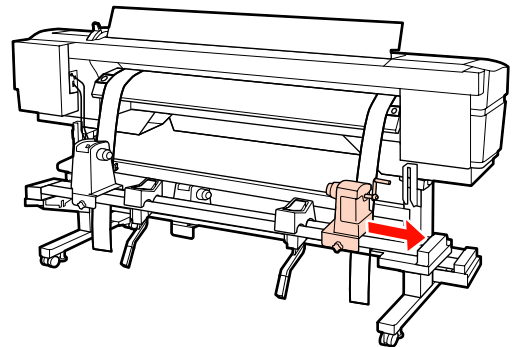
Align Hole 4 with a screw at the lead edge of the after heater.



**7** On the rear of the printer, loosen the roll holder fixing screws on the left and right sides. Next, tighten the roll holder fixing screw to align the left roll holder with the position of dotted line.

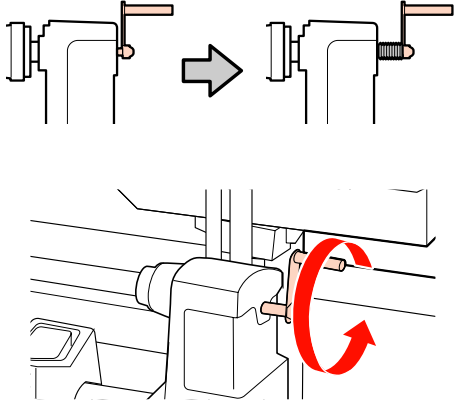


**8** Adjust the right roll holder so that the distance between the two is wider than the roll core.

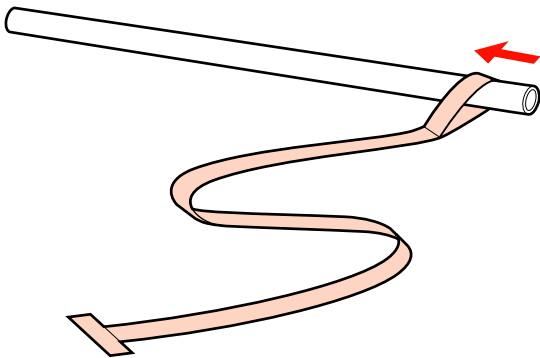


Appendix

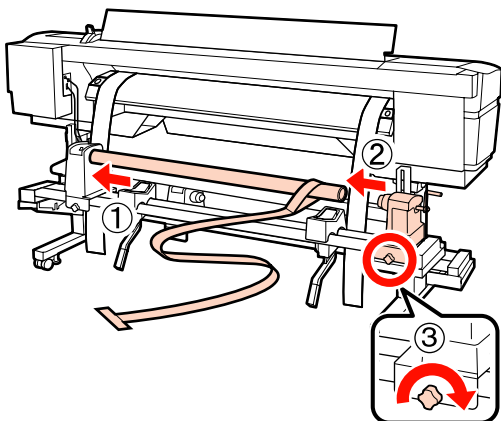
**! Important:**  
If the right holder handle shaft is not visible, rotate the handle as shown in the illustration below until it stops.



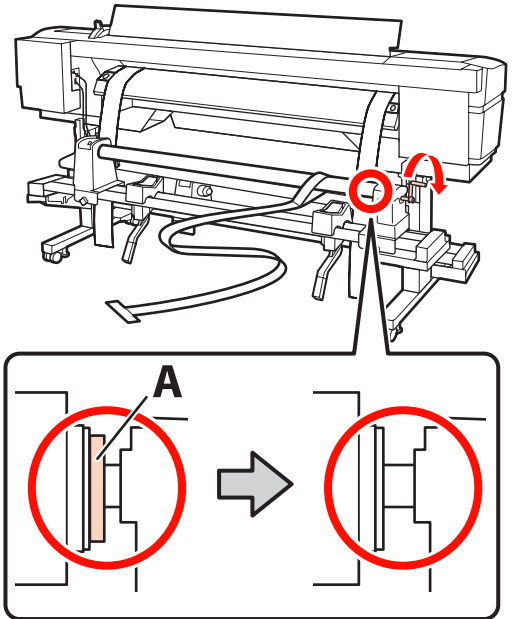
**9** Pass film a through the roll core.



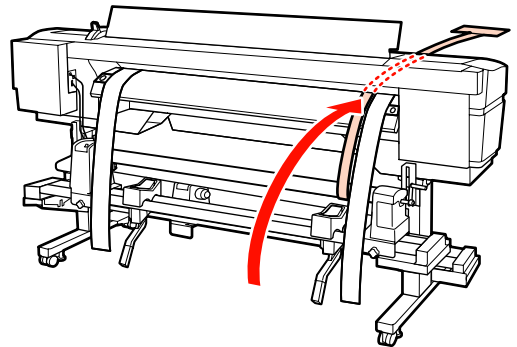
**10** Insert the roll core into the left roll holder. Next, insert the right roll holder into the roll core, and then tighten the roll holder fixing screw.



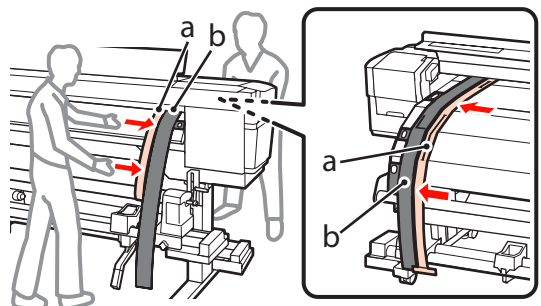
**11** Rotate the handle until part A in the illustration below is fully inserted.



**12** Pass film a from the rear to the front.

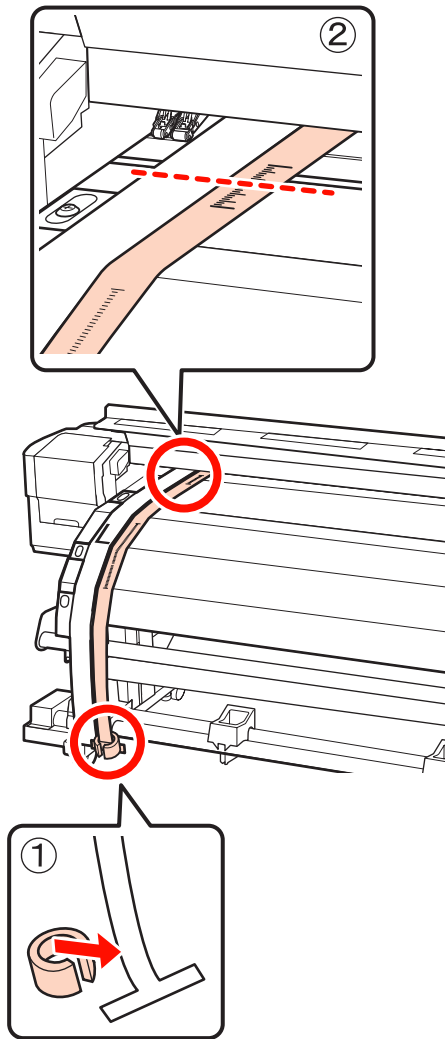


**13** While checking at the front and rear of the printer, align film a with film b tightly.



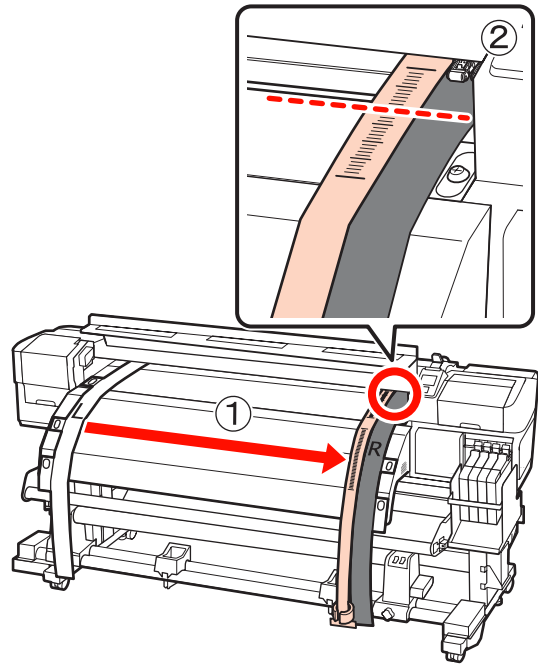
Appendix

- 14** Attach a counterweight to film a. After film a stops swinging, record the value of the scale on the front side of the white line of the platen.



- 15** At the front and rear of the printer, raise film a and move it so that it aligns with the right side of film b tightly. After film a stops swinging, check the scale where the front side of the white line of the platen passes.

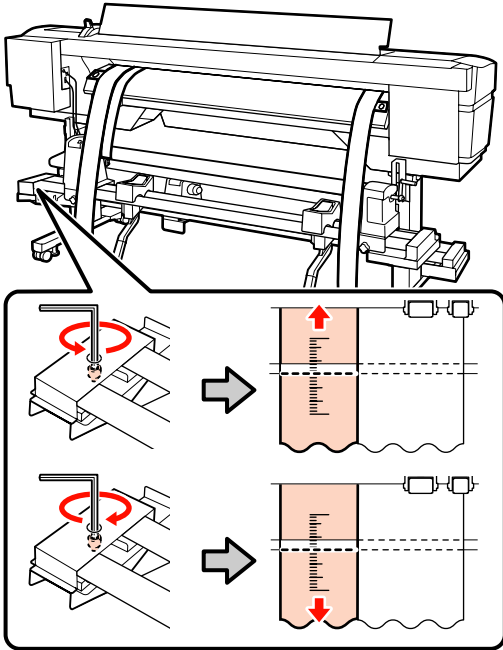
If the value is different from the left side, proceed to Step 16. If the value is the same, proceed to Step 17.



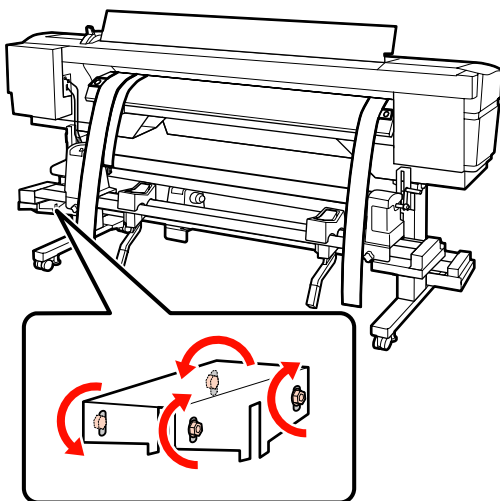
Appendix

- 16** While checking the scale of film a at the front of the printer, make an adjustment on the rear side of the printer.

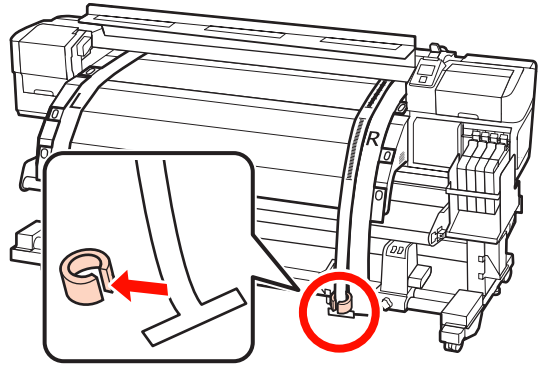
If the adjustment screw is turned counterclockwise, the scale moves back. If the adjustment screw is turned clockwise, the scale moves towards you. One turn of the screw moves the line about 1 mm. If the value of this scale matches the left side, the adjustment is complete.



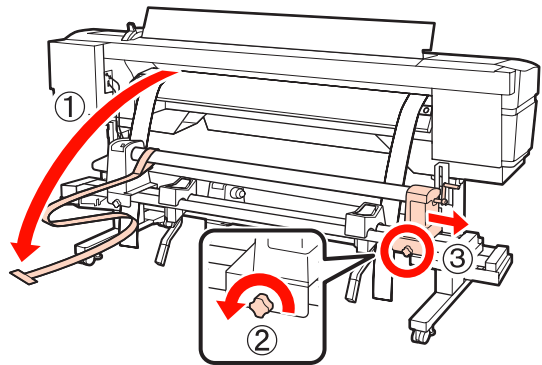
- 17** Use the large hexagon wrench to firmly secure the 4 screws.



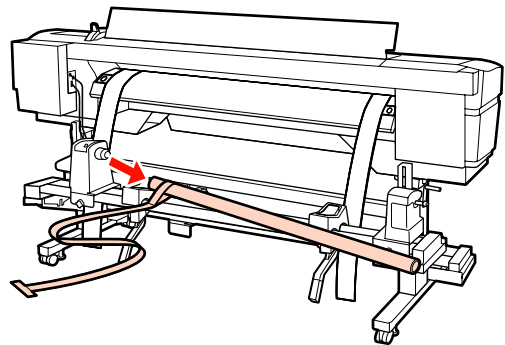
- 18** At the front of the printer, remove the counterweight attached to film a.



- 19** Pull film a from the rear of the printer. Next, loosen the right roll holder fixing screw, and move away the roll holder.



- 20** Remove the roll core.



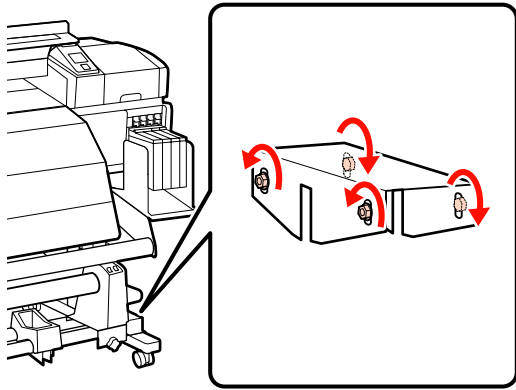
Next, proceed to the parallel adjustment of the Auto Take-up Reel Unit.



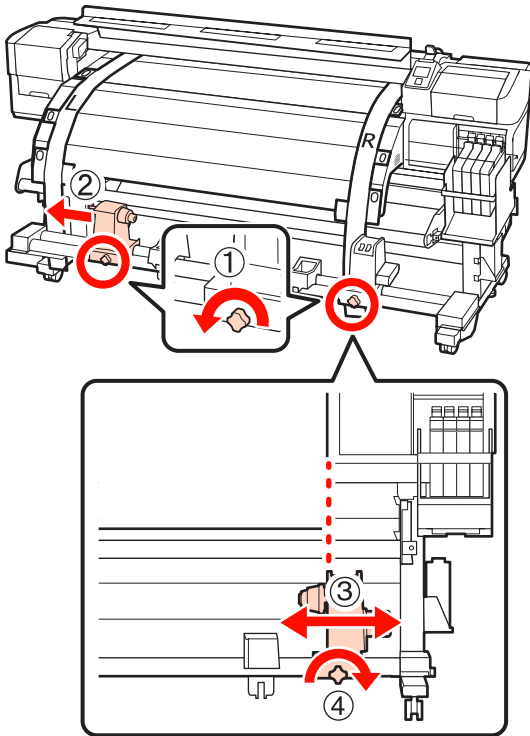
Appendix

**Auto Take-up Reel Unit**

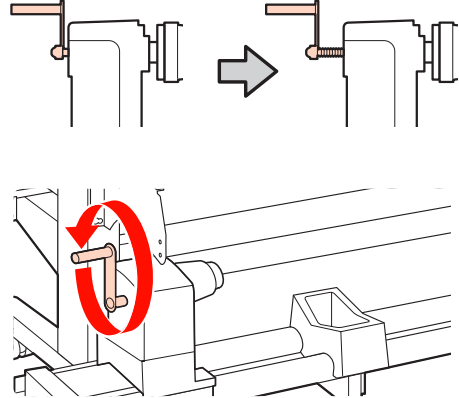
- 1 Use the large hexagon wrench to loosen the four fixing screws on the front of the printer as shown in the illustration.



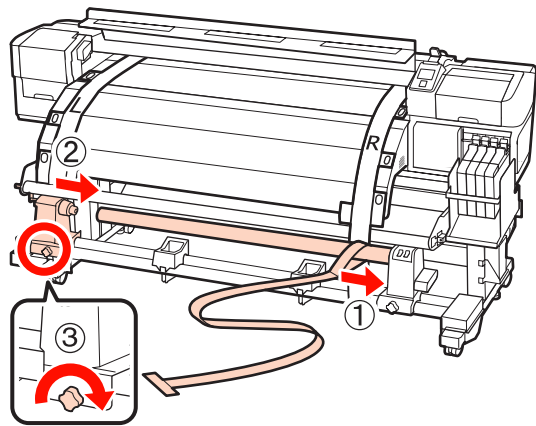
- 2 Loosen the roll core holder locking screws and move the left roll core holders to the outside. Next, tighten the roll core holder locking screw to align the right roll core holder with the position of dotted line.



**! Important:**  
If the left roll core handle shaft is not visible, rotate the handle as shown in the illustration below until it stops.

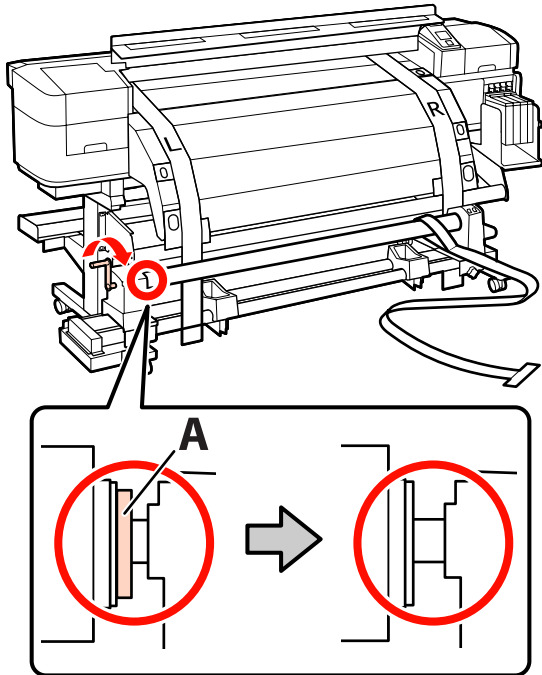


- 3 Insert the roll core into the right roll holder. Next, insert the left roll core holder into the roll core, and then tighten the roll core holder locking screw.

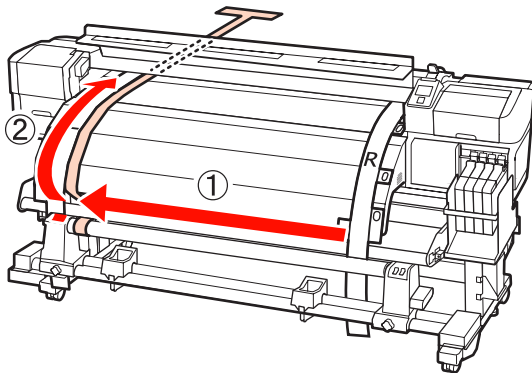


Appendix

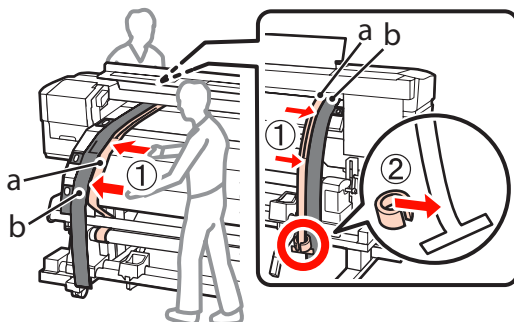
- 4** Rotate the handle until part A in the illustration below is fully inserted.



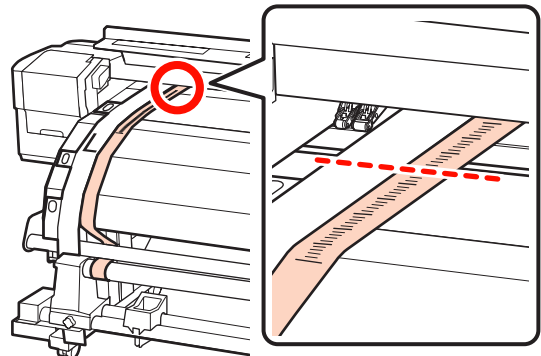
- 5** Bring film a to the left side of film b. Pass the lead edge of film a between the media guide bar and after heater, and then insert it into the printer.



- 6** While checking at the front and rear of the printer, align film a with film b tightly. At the rear of the printer, attach a counterweight to film a.

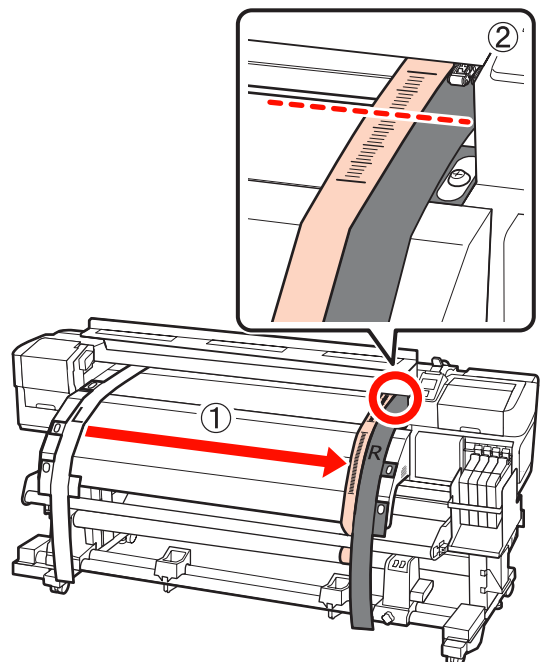


- 7** After film a stops swinging, record the value of the scale on the front side of the white line of the platen.



- 8** At the front and rear of the printer, raise film a and move it so that it aligns with the right side of film b tightly. After film a stops swinging, check the scale where the front side of the white line of the platen passes.

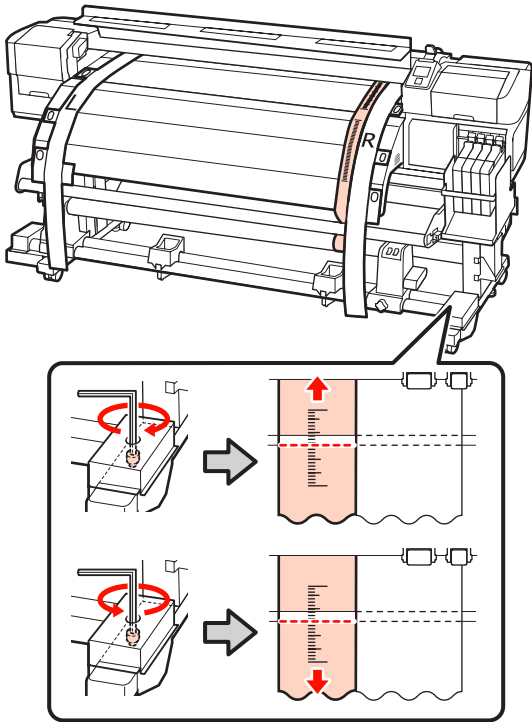
If the value is different from the left side, proceed to Step 9. If the value is the same, proceed to Step 10.



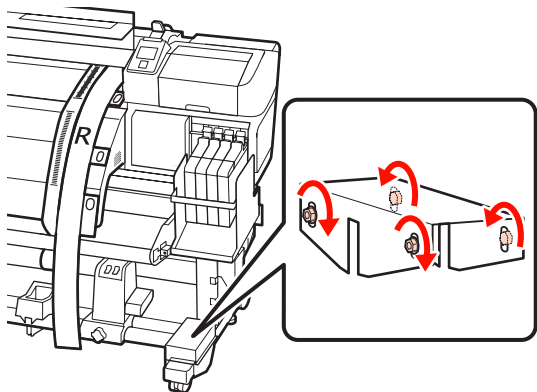
Appendix

- 9** While checking the scale of film a on the front side of the printer, use the large hexagon wrench for adjustment.

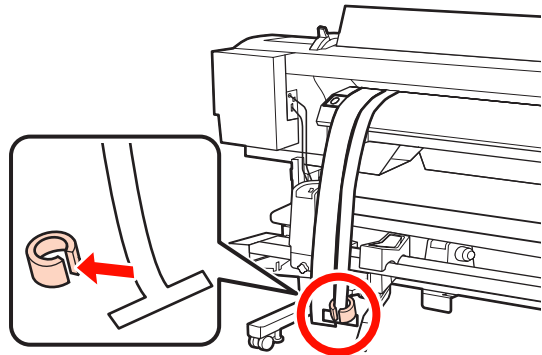
If the adjustment screw is turned clockwise, the scale moves back. If the adjustment screw is turned counterclockwise, the scale moves towards you. One turn of the screw moves the line about 1 mm.



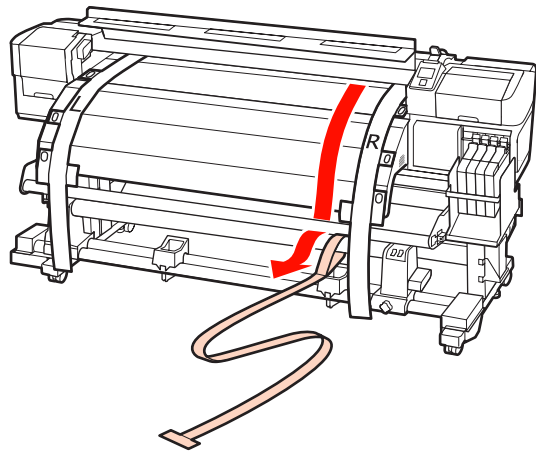
- 10** Use the large hexagon wrench to firmly secure the 4 screws.



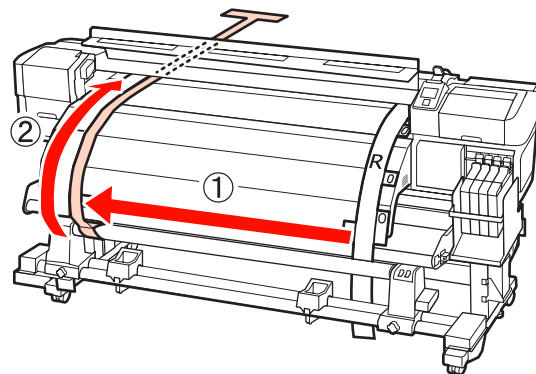
- 11** At the rear of the printer, remove the counterweight attached to film a.



- 12** Pull out film a from the printer.

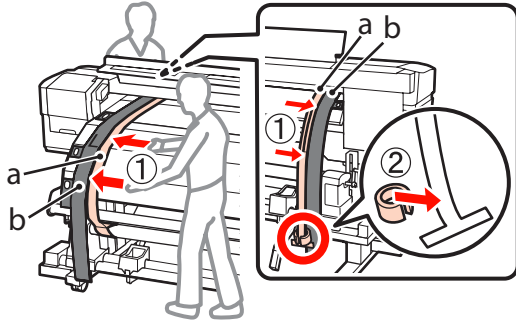


- 13** Bring film a to the left side of film b. Pass the lead edge of film a by the front of the media guide bar and then insert it into the printer.

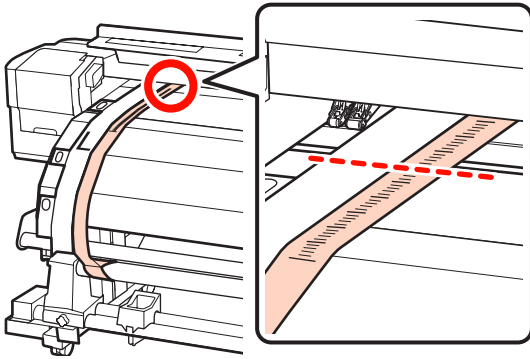


Appendix

- 14** At the front and rear of the printer, raise film a and move it so that it aligns with film b tightly. At the rear of the printer, attach a counterweight to film a.

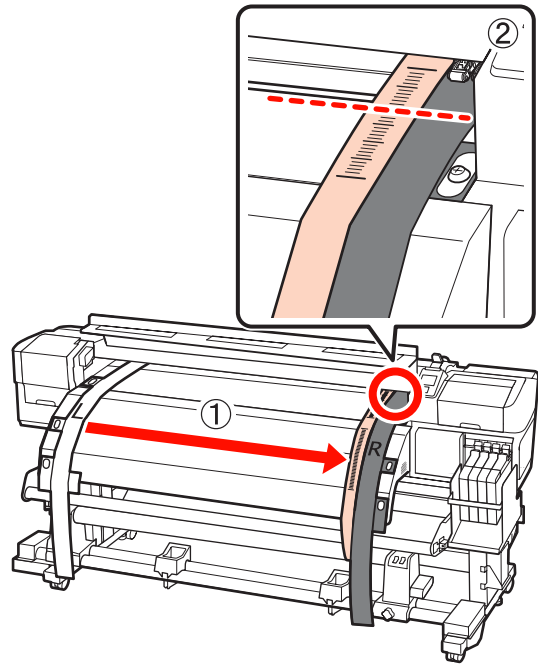


- 15** After film a stops swinging, record the value of the scale on the front side of the white line of the platen.

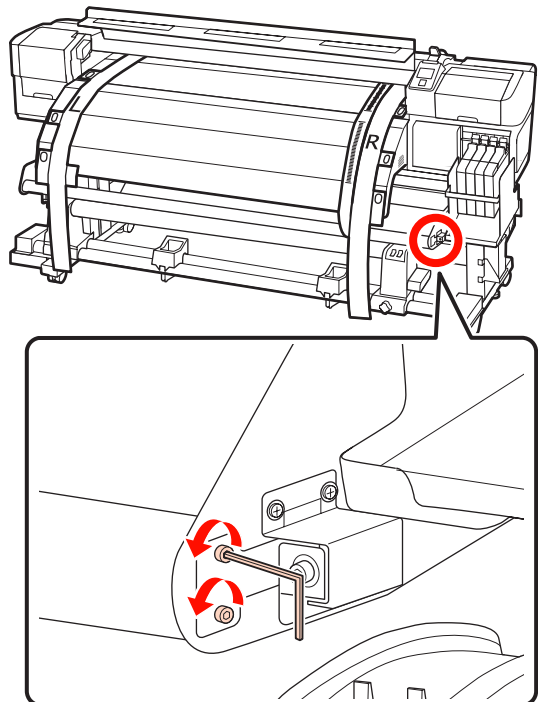


- 16** At the front and rear of the printer, raise film a and move it so that it aligns with the right side of film b tightly. After film a stops swinging, check the scale where the front side of the white line of the platen passes.

If the value is different from the left side, proceed to Step 17. If the value is the same, proceed to Step 20.



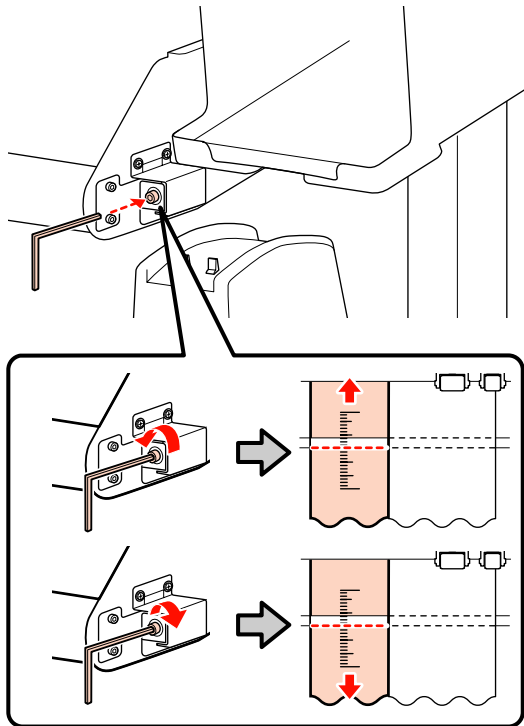
- 17** Use the small hexagon wrench to loosen the 2 screws.



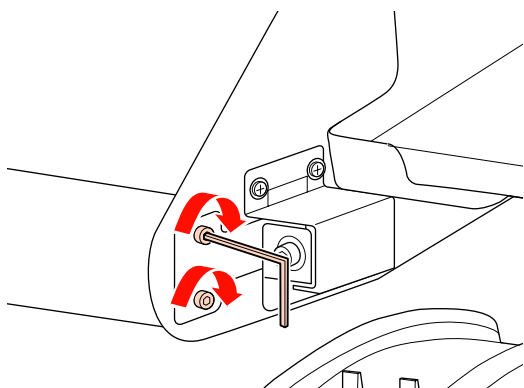
Appendix

- 18** While checking the scale of film a on the front side of the printer, make adjustments using the large hexagon wrench while you use your hand to hold the media guide bar.

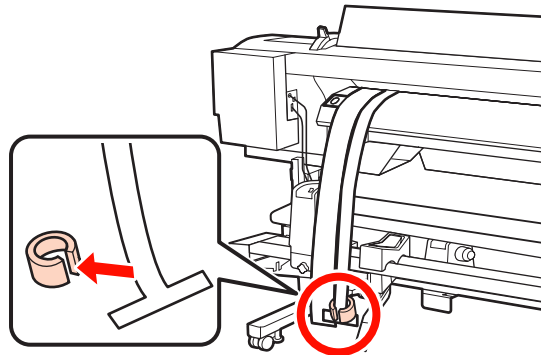
If the adjustment screw is turned counterclockwise, the scale moves back. If the adjustment screw is turned clockwise, the scale moves towards you. One turn of the screw moves the line about 1 mm. If the value of this scale matches the left side, the adjustment is complete.



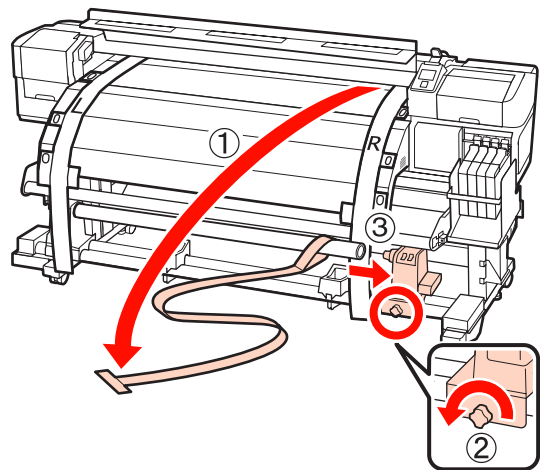
- 19** Use the small hexagon wrench to tighten the 2 screws.



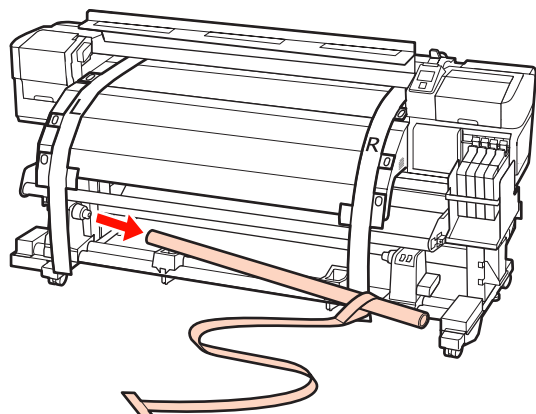
- 20** At the rear of the printer, remove the counterweight attached to film a.



- 21** Pull out film a from the printer. Next, loosen the right roll core holder locking screw and remove the roll core holder from the roll.

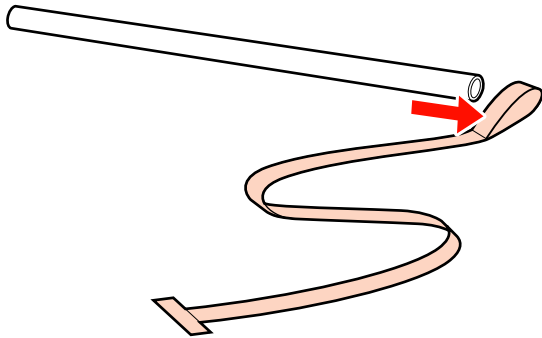


- 22** Remove the roll core.

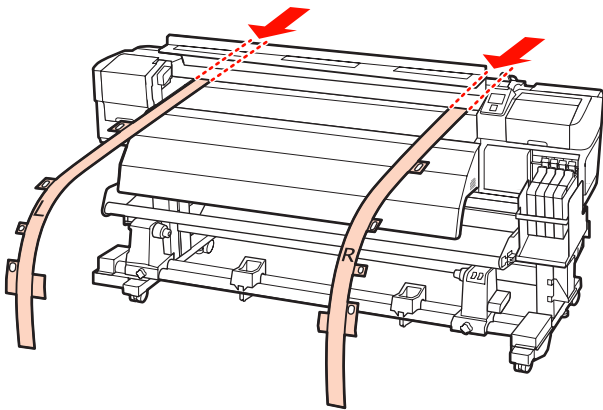


Appendix

**23** Remove film a from the roll core.



**24** Remove the left and right side of film b from the printer.



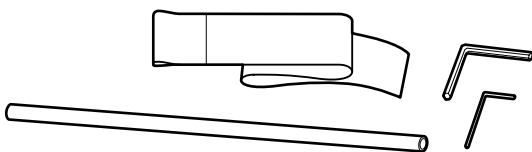
**Note:**  
Store film a and b with the counterweight without creasing them. If film will be used again, remove dust and other objects and stretch it well before using it.

### Parallel Adjustment Using Tool B

The following procedure uses illustrations of the SC-F7000 Series, but the procedure is the same for the SC-F7200 and SC-F7100 Series.

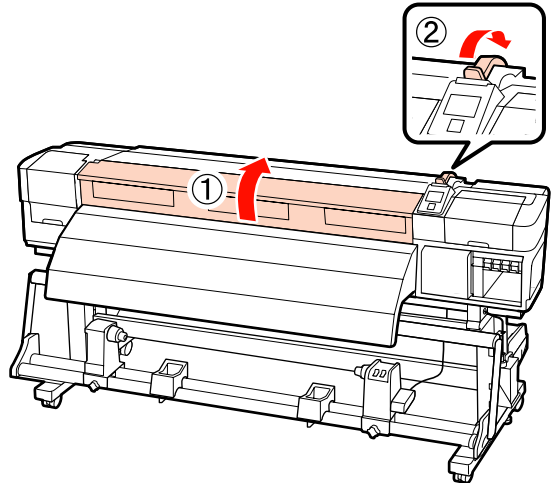
Parts used in the following adjustment

The SC-F7200 and SC-F7100 Series includes two types of hexagon wrenches. For parallel adjustment of the Media Feeding Unit, use the large hexagon wrench.

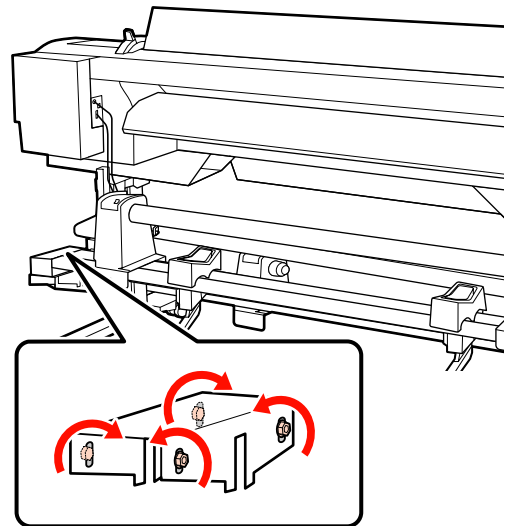


### Media Feeding Unit

- 1** Confirm that the printer is off.
- 2** Open the front cover and raise the media loading lever.



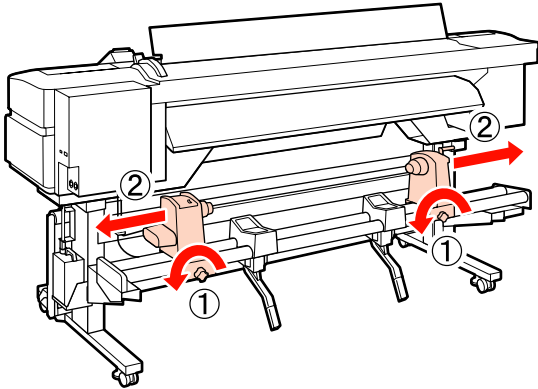
- 3** Use the large hexagon wrench to loosen the four fixing screws on the rear of the printer as shown in the illustration.



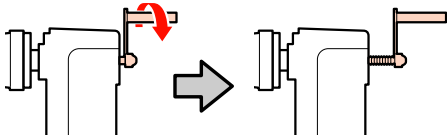


Appendix

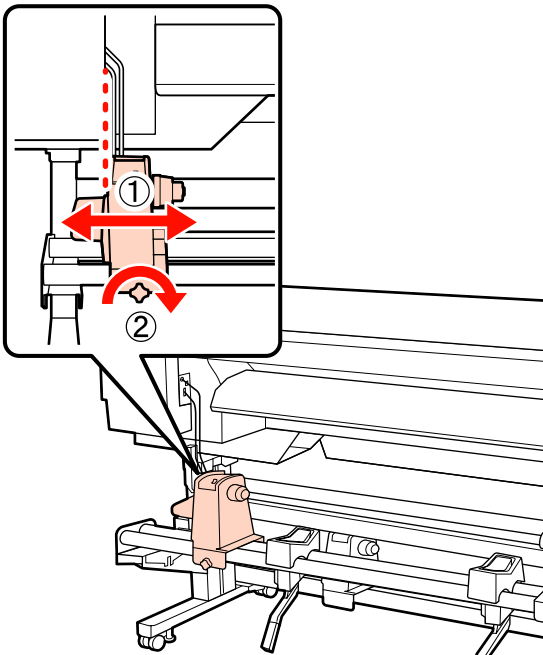
- 4** Loosen the roll holder fixing screws and adjust the roll holders so that the distance between the two is wider than the roll core.



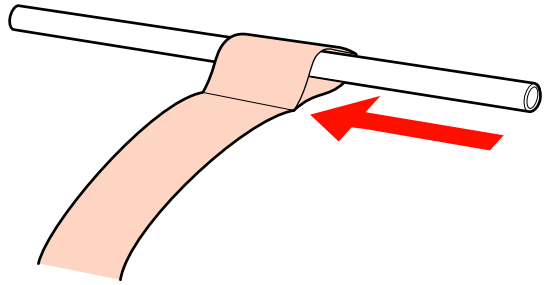
**! Important:**  
If the right holder handle shaft is not visible, rotate the handle as shown in the illustration below until it stops.



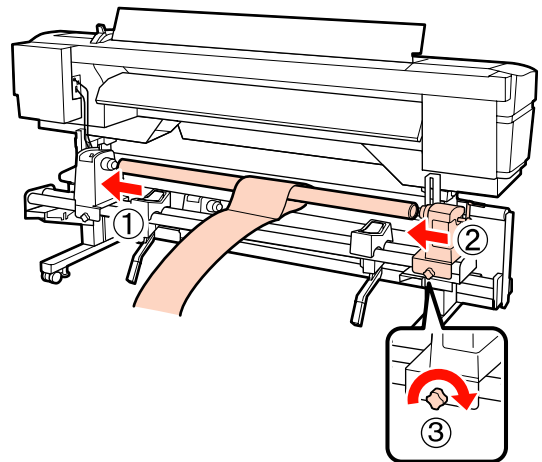
- 5** Tighten the roll holder fixing screw to align the left roll holder with the position of dotted line.



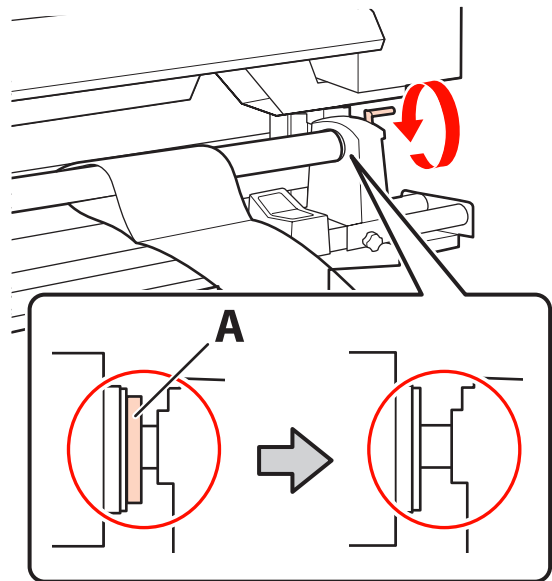
- 6** Pass the adjustment paper through the roll core.



- 7** Insert the roll core into the left roll holder. Insert the right roll holder into the roll core, and then tighten the roll holder fixing screw.



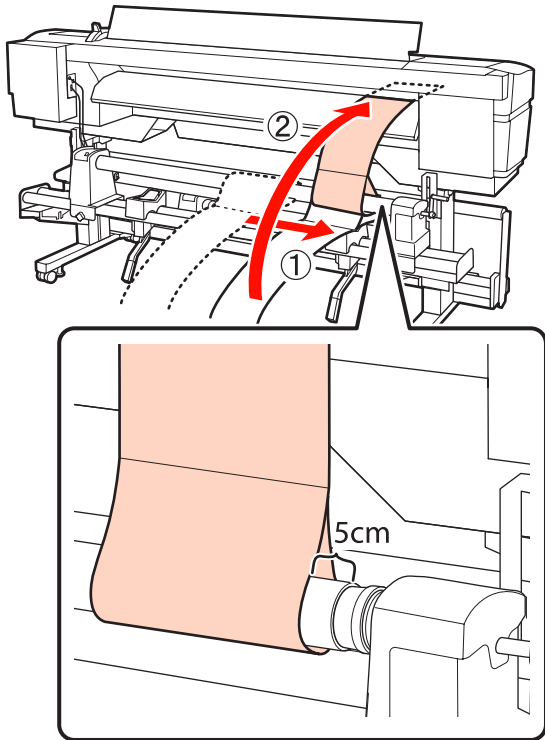
- 8** Rotate the handle until part A in the illustration below is fully inserted.



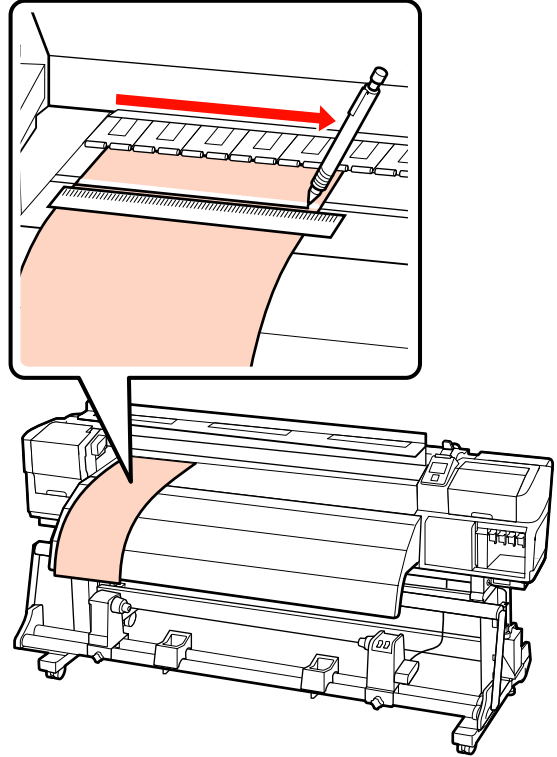
Appendix

**! Important:**  
 Once part A is hidden, do not turn the handle any further. Failure to observe this precaution could damage the roll holder.

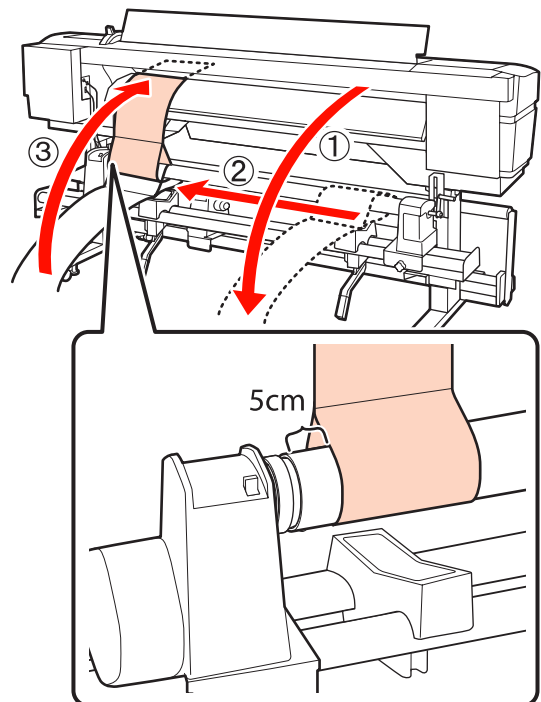
**9** Bring the adjustment paper to a position 5 cm from the right edge of the roll core, and then insert it into the printer.



**10** At the front side of the printer, keep the adjustment paper taut, place a ruler on the front side of the white line on the platen, and then draw a line with a pen or other writing instrument.



**11** Pull out the adjustment paper from the rear side, move it to a position 5 cm from the left edge of the roll core, and then insert it into the printer.

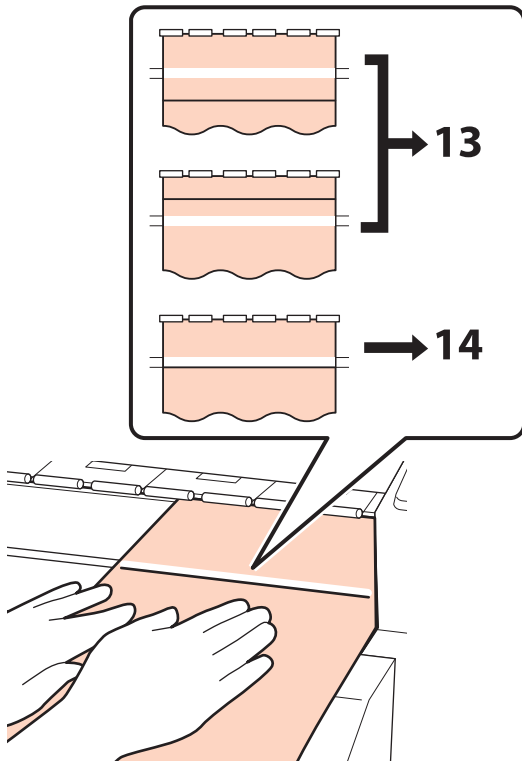




Appendix

**12** At the front side of the printer, keep the adjustment paper taut and check the positions of the white line on the platen and the line drawn in Step 10.

If the drawn line and white line are misaligned as shown in the illustration below, proceed to Step 13. If they are aligned, proceed to Step 14.

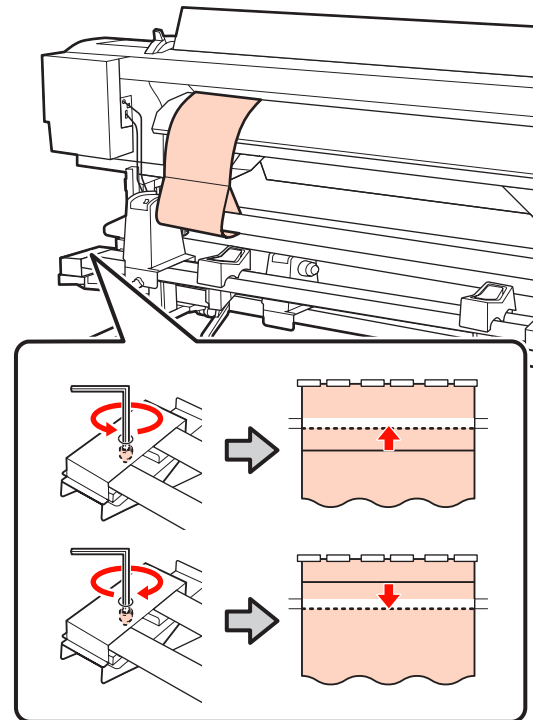


**13** While checking the state of the two lines on the front side of the printer, use the hexagon wrench to adjust the screw on the rear side of the printer so that the drawn line aligns with the position of the dotted line.

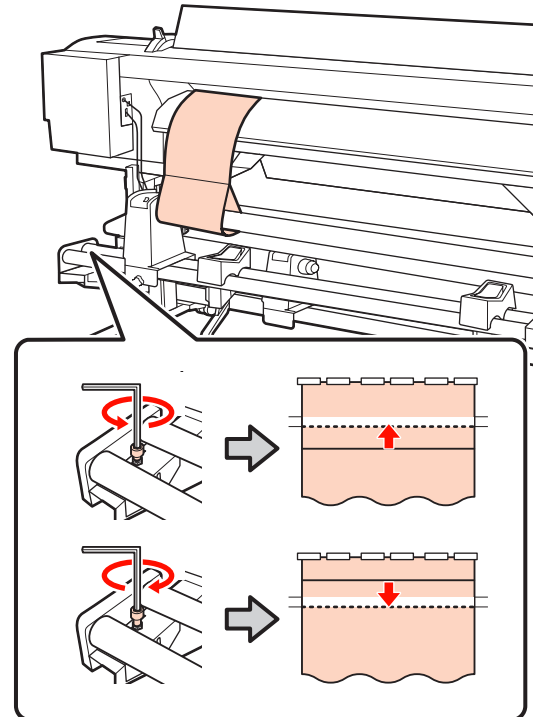
If the drawn line is below the white line, rotate the adjustment screw counterclockwise. If the drawn line is above the white line, rotate the adjustment screw clockwise. One turn of the screw moves the line about 1 mm.

The adjustment is complete when the drawn line reaches the position of the dotted line.

For the SC-F7200/SC-F7100 Series

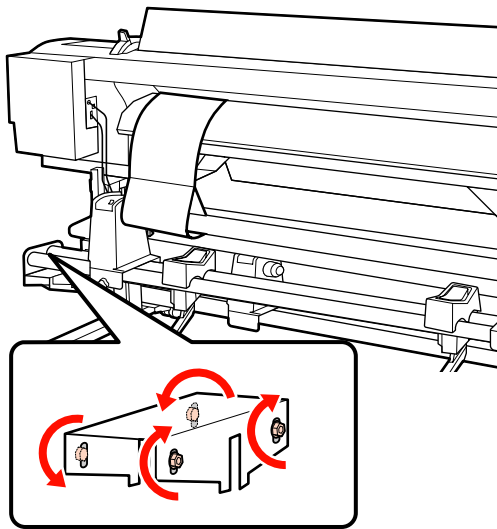


SC-F7000 Series

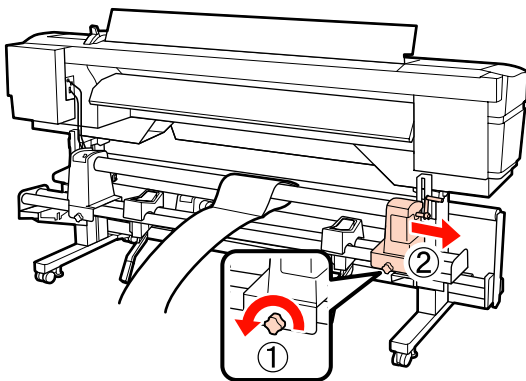


Appendix

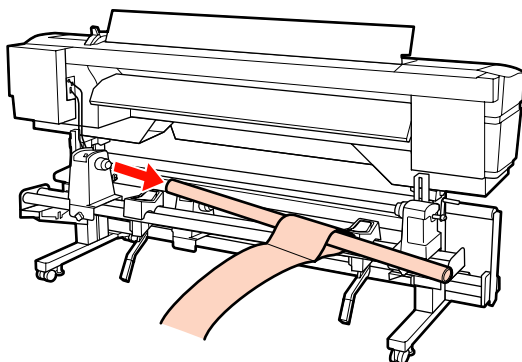
- 14** Use the hexagon wrench to tighten and firmly secure the 4 screws.



- 15** Pull out the adjustment paper from the printer, loosen the right roll holder fixing screw, and move away the roll holder.



- 16** Remove the roll core.



See the next item and proceed to the parallel adjustment of the Auto Take-up Reel Unit.

**Auto Take-up Reel Unit**

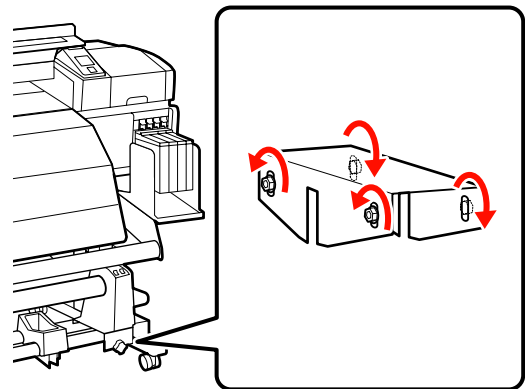
The parallel adjustment method for the Auto Take-up Reel Unit depends on your printer. Choose the method suited to your printer.

☞ “When using the SC-F7200/SC-F7100 Series” on page 154

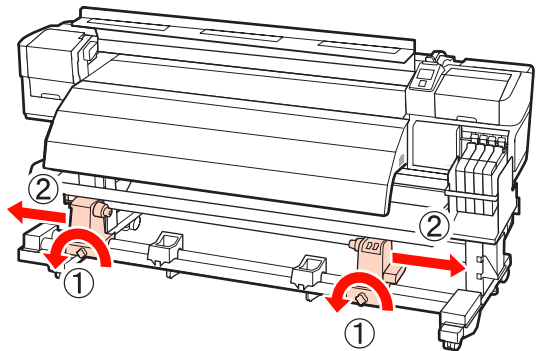
☞ “When using the SC-F7000 Series” on page 160

**When using the SC-F7200/SC-F7100 Series**

- 1** Use the large hexagon wrench to loosen the four fixing screws on the front of the printer as shown in the illustration.



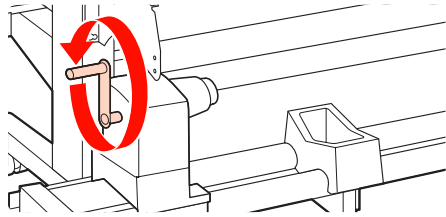
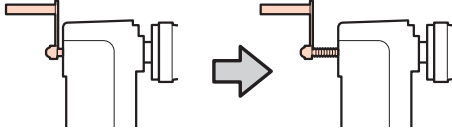
- 2** Loosen the roll core holder locking screws and adjust the roll core holders so that the distance between the two is wider than the roll core.



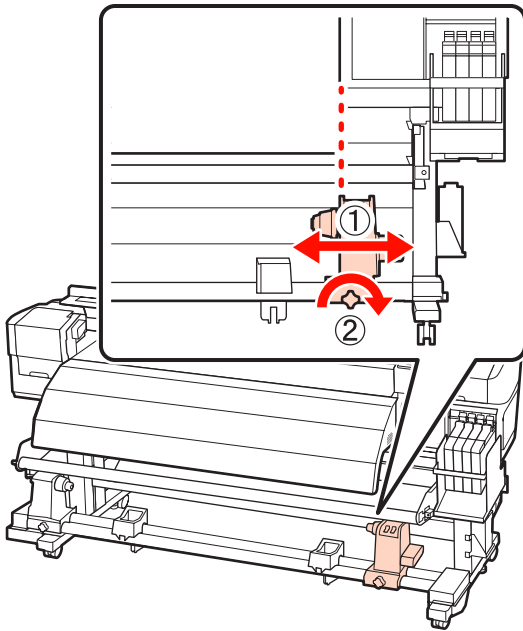
Appendix

**!** **Important:**

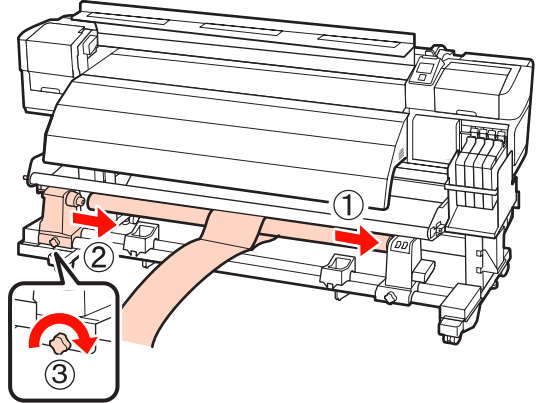
*If the left roll core handle shaft is not visible, rotate the handle as shown in the illustration below until it stops.*



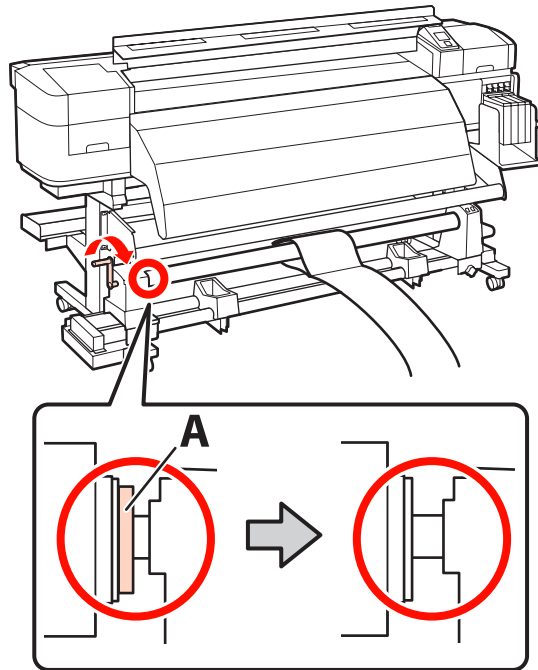
- 3** Tighten the roll core holder locking screw to align the right roll core holder with the position of dotted line.



- 4** Insert the roll core into the right roll holder. Insert the left roll core holder into the roll core, and then tighten the roll core holder locking screw.



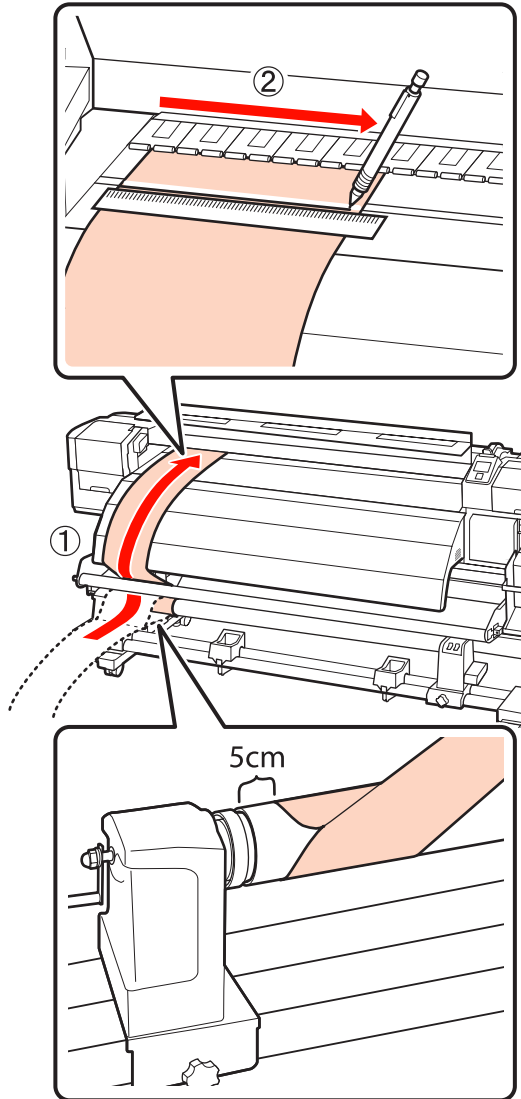
- 5** Rotate the handle until part A in the illustration below is fully inserted.



Appendix

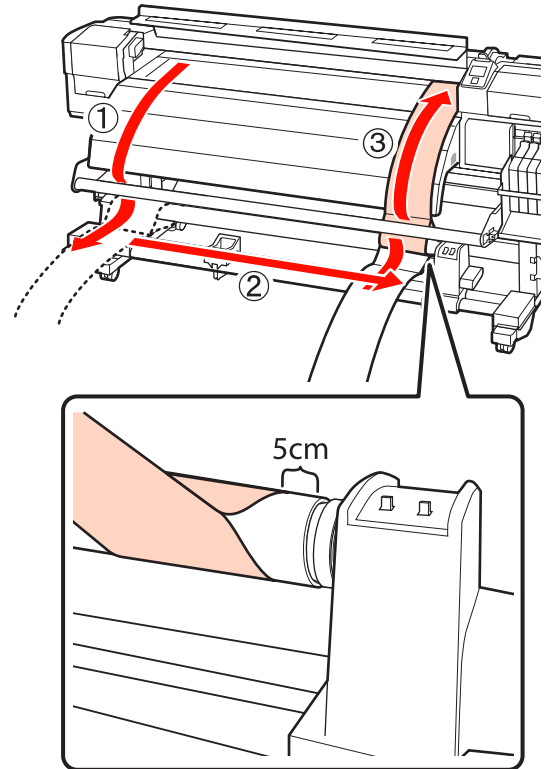
- 6** Move the adjustment paper to a position 5 cm from the left edge of the roll core, and then insert it into the printer. Keep the adjustment paper taut, place a ruler on the front side of the white line on the platen, and then draw a line with a pen or other writing instrument.

Pass the lead edge of the adjustment paper between the after heater and media guide bar, and then insert it into the printer.



- 7** Pull out the adjustment paper, move it to a position 5 cm from the right edge of the roll core, and then insert it into the printer.

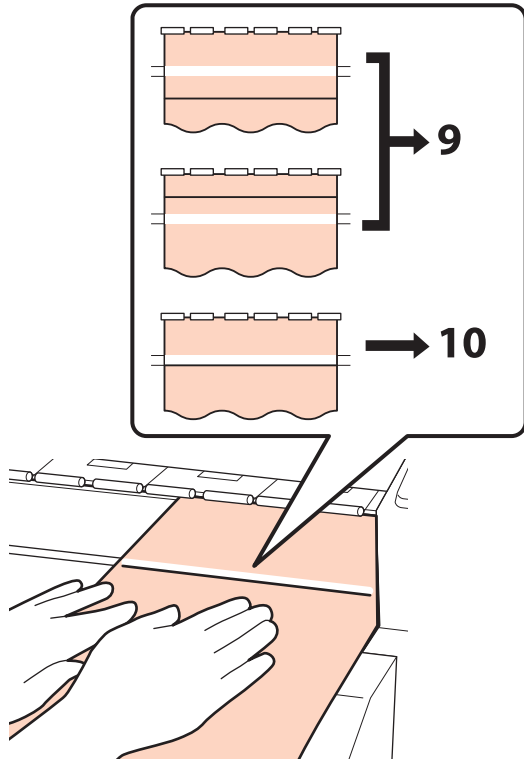
Pass the lead edge of the adjustment paper between the after heater and media guide bar, and then insert it into the printer.



Appendix

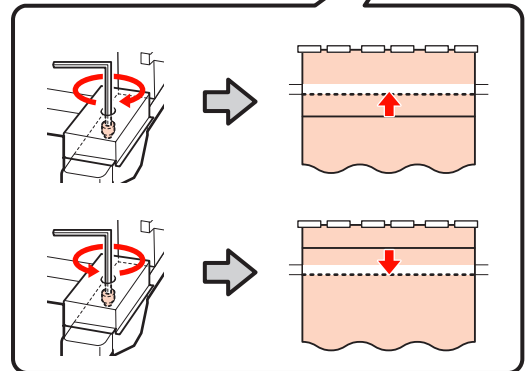
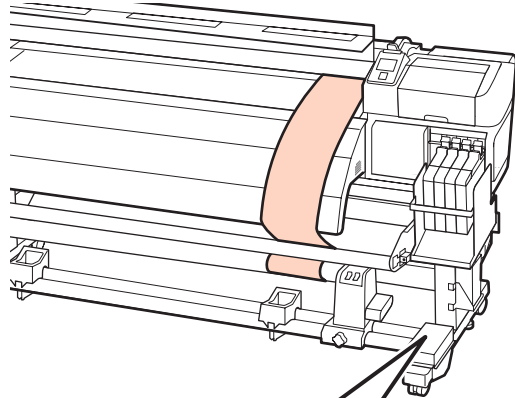
- 8** Keep the adjustment paper taut and check the positions of the white line on the platen and the line drawn in Step 6.

If the drawn line and white line are misaligned as shown in the illustration below, proceed to Step 9. If they are aligned, proceed to Step 10.

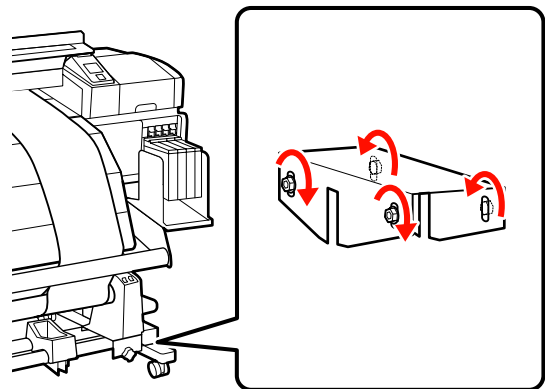


- 9** While checking the state of the two lines on the front side of the printer, use the hexagon wrench (large) to adjust the screw so that the drawn line aligns with the position of the dotted line.

If the drawn line is below the white line, rotate the adjustment screw clockwise. If the drawn line is above the white line, rotate the adjustment screw counterclockwise. One turn of the screw moves the line about 1 mm.

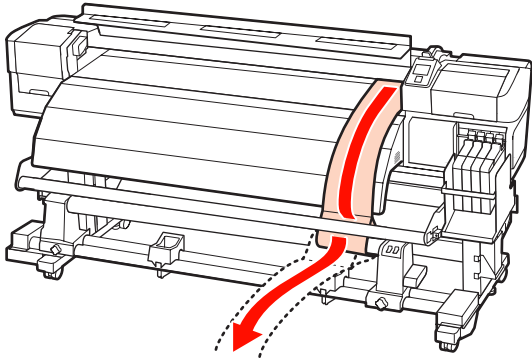


- 10** Use the hexagon wrench (large) to tighten and firmly secure the 4 screws.

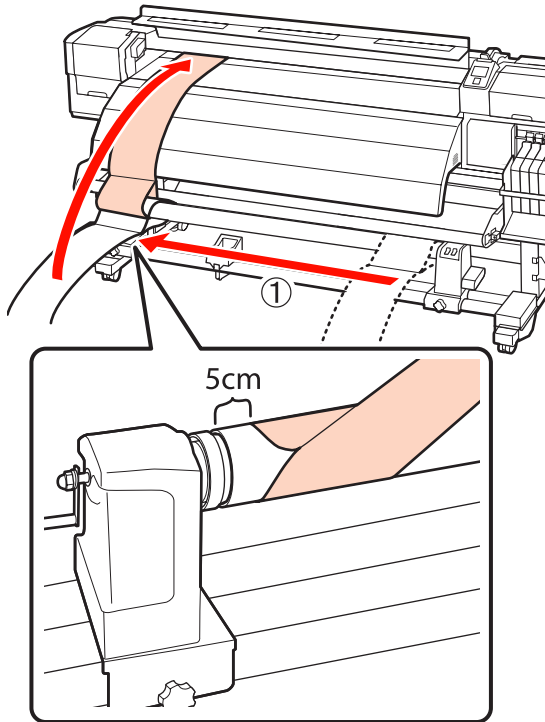


Appendix

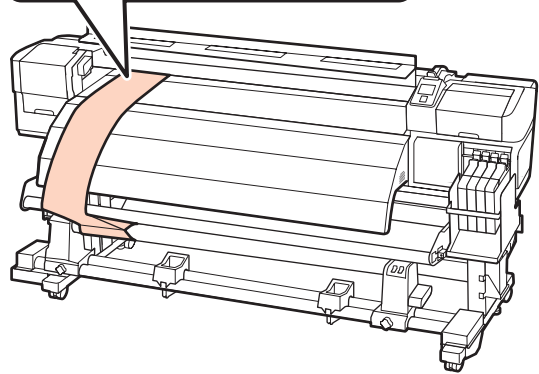
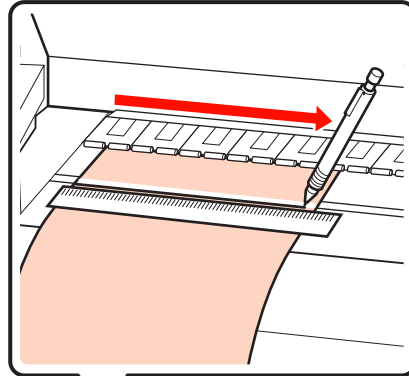
- 11** Pull out the adjustment paper from the printer.



- 12** Bring the adjustment paper to a position 5 cm from the left edge of the roll core. Pass the lead edge of the adjustment paper by the front of the media guide bar and then insert it into the printer.

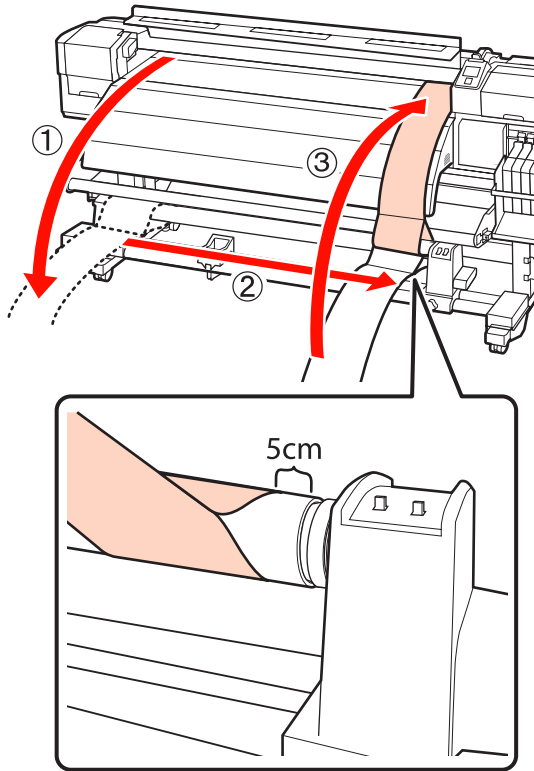


- 13** Keep the adjustment paper taut, place a ruler on the front side of the white line on the platen, and then draw a line with a pen or other writing instrument.



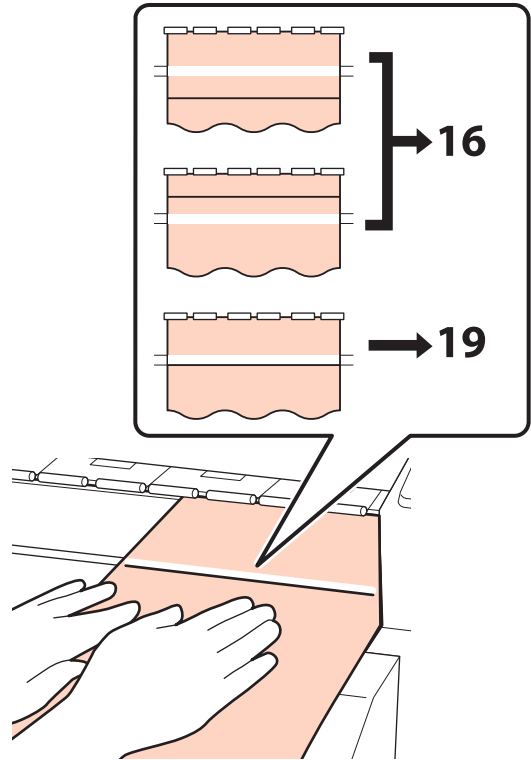
Appendix

- 14** Pull out the adjustment paper. Bring the adjustment paper to a position 5 cm from the right edge of the roll core. Pass the lead edge of the adjustment paper by the front of the media guide bar and then insert it into the printer.

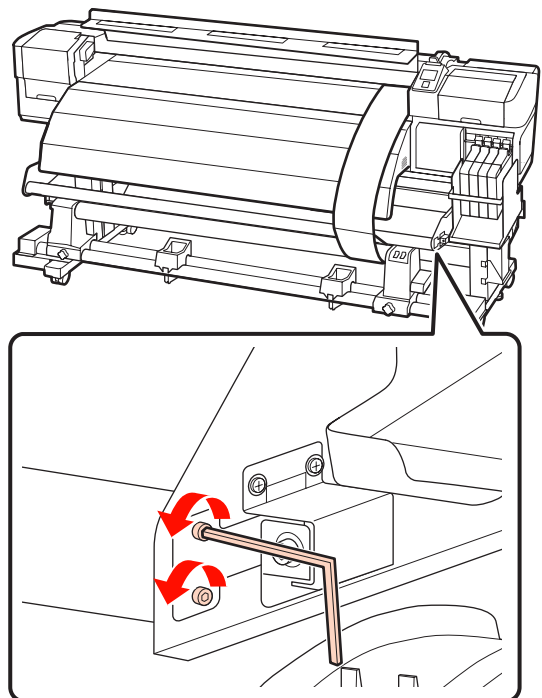


- 15** Keep the adjustment paper taut and check the positions of the white line on the platen and the line drawn in Step 13.

If the drawn line and white line are misaligned as shown in the illustration to the right, proceed to Step 16. If they are aligned, proceed to Step 19.



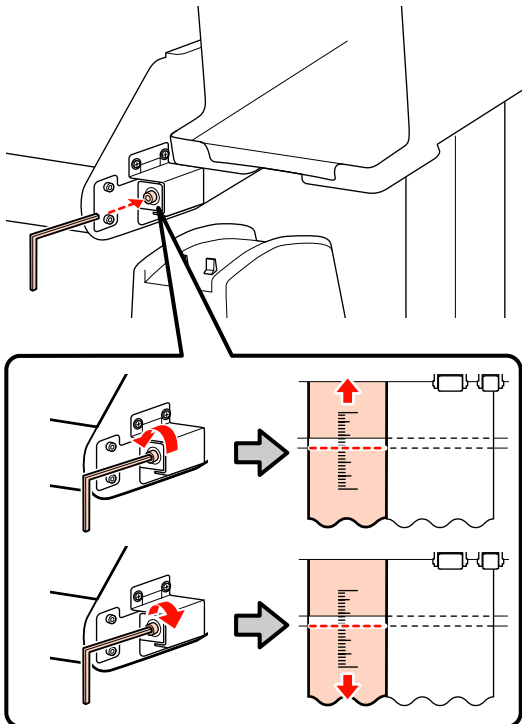
- 16** Use the small hexagon wrench to loosen the 2 screws.



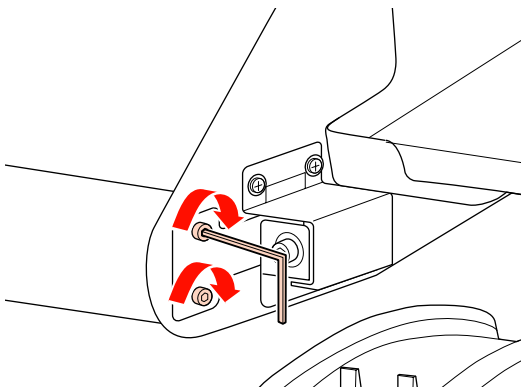
Appendix

- 17** While checking the state of the two lines, use the hexagon wrench (large) to adjust the screw so that the drawn line aligns with the position of the dotted line.

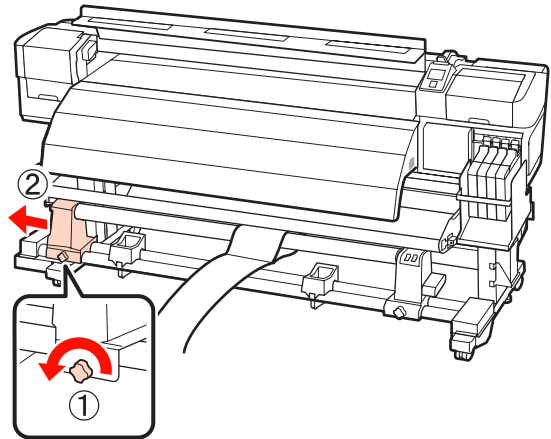
While pressing on the media guide bar with your hand, align the lines by rotating the adjustment screw. If the drawn line is below the white line, rotate the adjustment screw counterclockwise. If the drawn line is above the white line, rotate the adjustment screw clockwise. One turn of the screw moves the line about 1 mm.



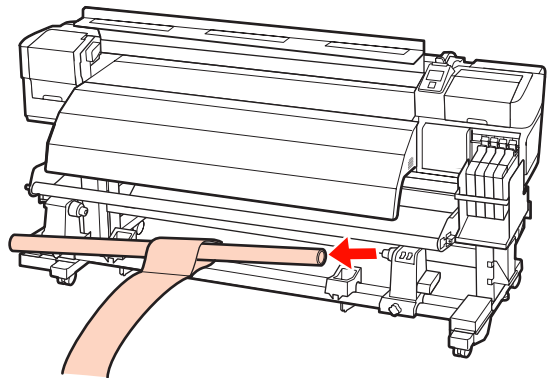
- 18** Use the small hexagon wrench to tighten the 2 screws.



- 19** Pull out the adjustment paper from the printer, loosen the left roll core holder locking screw, and remove the roll core holder.

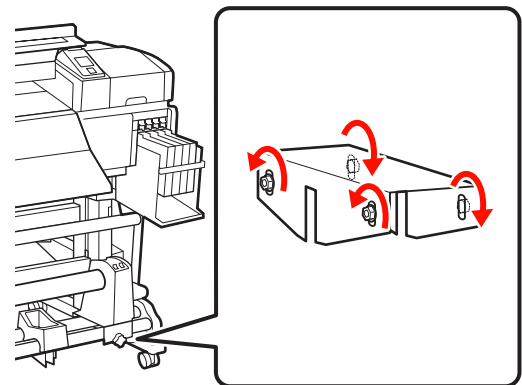


- 20** Remove the roll core.



**When using the SC-F7000 Series**

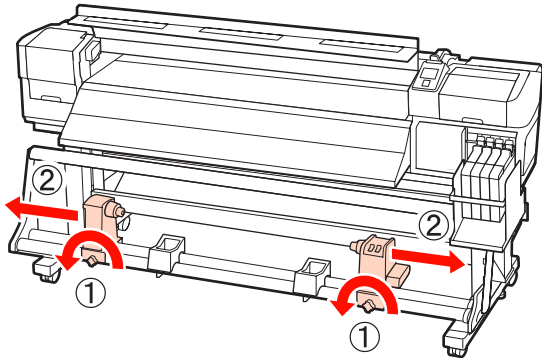
- 1** Raise the tensioner up and set it near legs for this procedure.
- 2** Use a hexagon wrench to loosen the 4 screws.



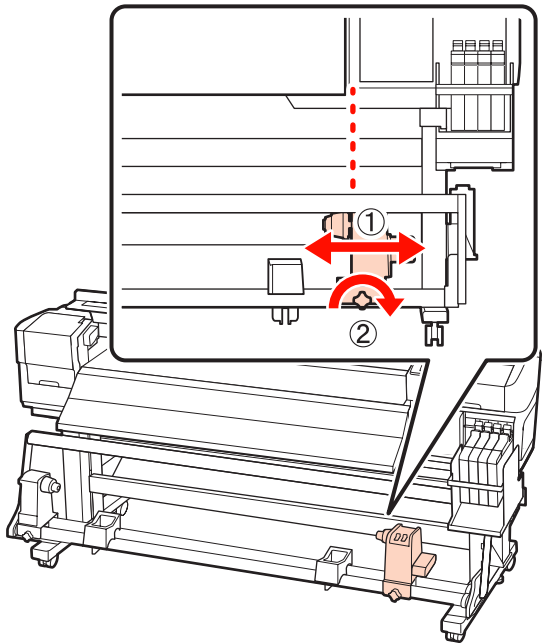


Appendix

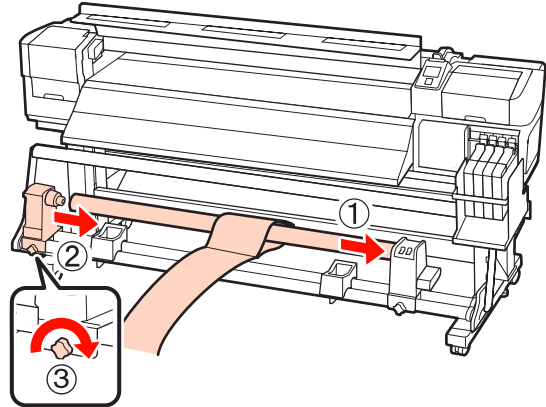
- 3** Loosen the roll core holder locking screws and adjust the roll core holders so that the distance between the two is wider than the roll core.



- 4** Tighten the roll core holder locking screw to align the right roll core holder with the position of dotted line.

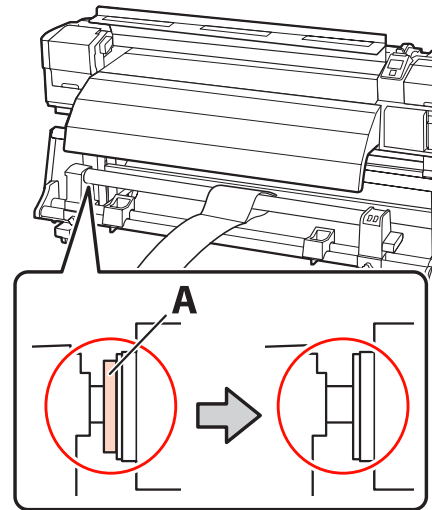


- 5** Insert the roll core into the right roll holder. Insert the left roll core holder into the roll core, and then tighten the roll core holder locking screw.



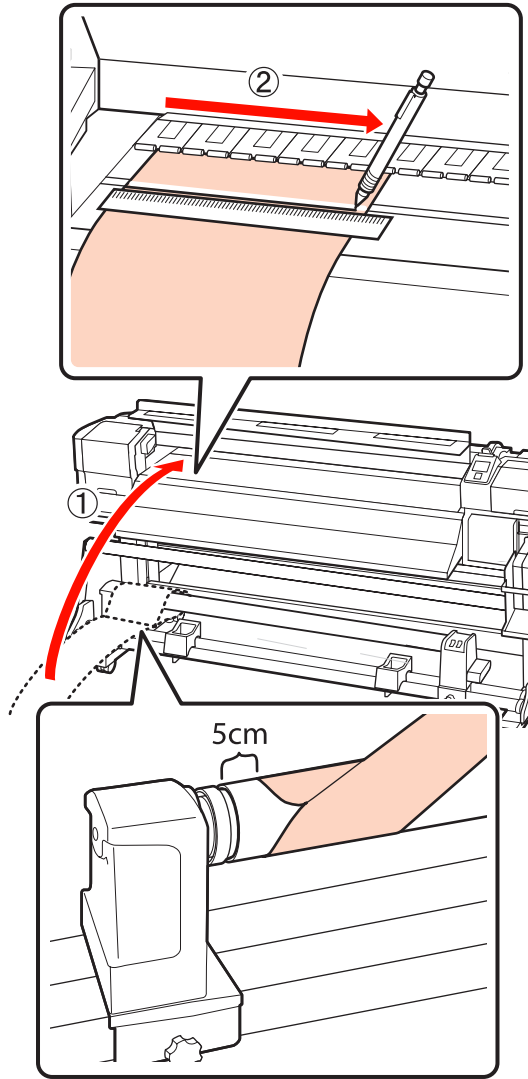
**! Important:**

Insert the left roll holder into the roll core until part A in the illustration below cannot be seen, and then tighten the roll holder locking screw.

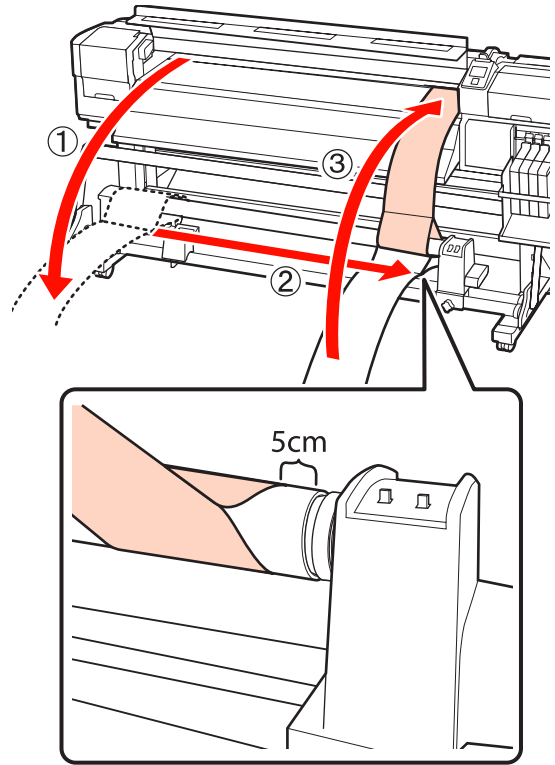


Appendix

- 6** Move the adjustment paper to a position 5 cm from the left edge of the roll core, and then insert it into the printer. Keep the adjustment paper taut, place a ruler on the front side of the white line on the platen, and then draw a line with a pen or other writing instrument.



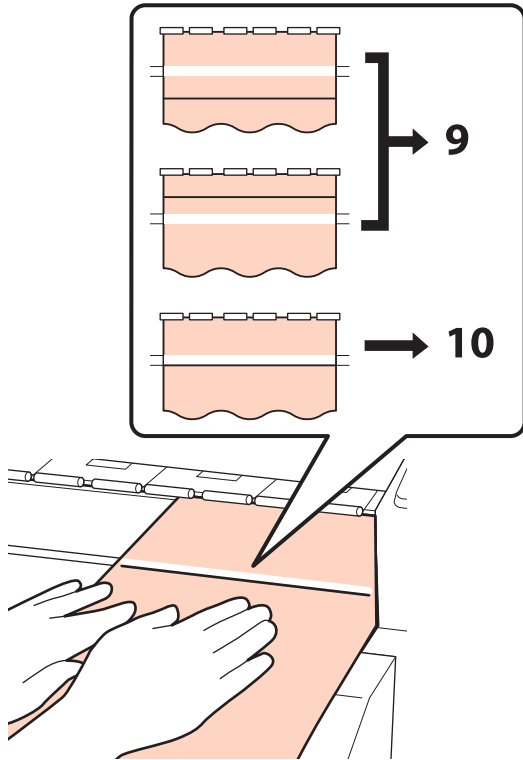
- 7** Pull out the adjustment paper, move it to a position 5 cm from the right edge of the roll core, and then insert it into the printer.



Appendix

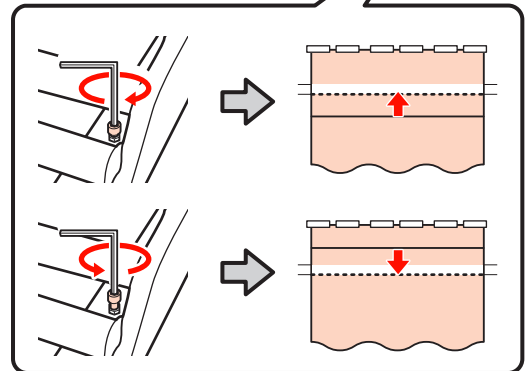
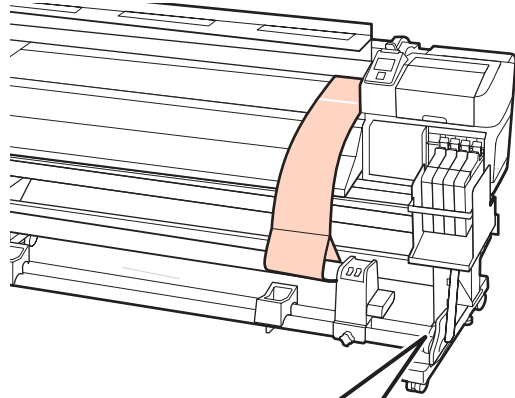
- 8** Keep the adjustment paper taut and check the positions of the white line on the platen and the line drawn in Step 6.

If the drawn line and white line are misaligned as shown in the illustration below, proceed to Step 9. If they are aligned, proceed to Step 10.

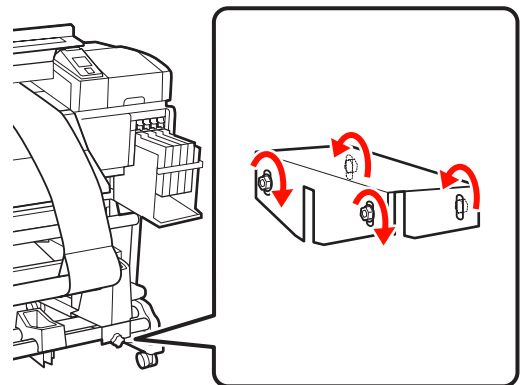


- 9** While checking the state of the two lines on the front side of the printer, use the hexagon wrench to adjust the screw so that the drawn line aligns with the position of the dotted line.

If the drawn line is below the white line, rotate the adjustment screw clockwise. If the drawn line is above the white line, rotate the adjustment screw counterclockwise. One turn of the screw moves the line about 1 mm.

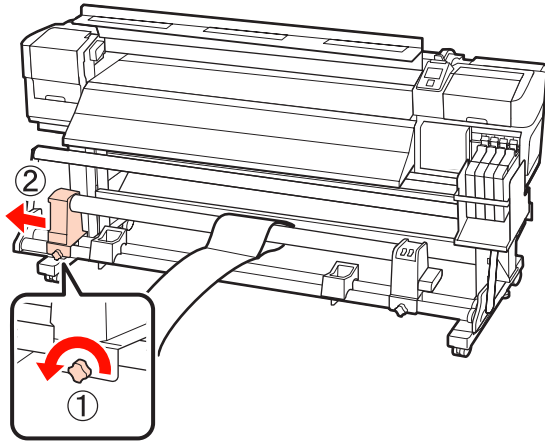


- 10** Use the hexagon wrench to tighten and firmly secure the 4 screws.

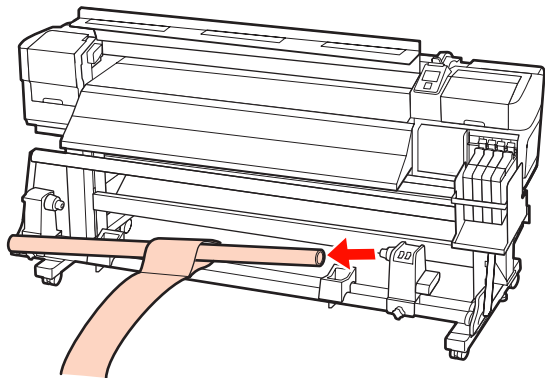


Appendix

- 11** Pull out the adjustment paper from the printer, loosen the left roll core holder locking screw, and remove the roll core holder.



- 12** Remove the roll core.



## System Requirements

Consult the documentation for your software RIP.

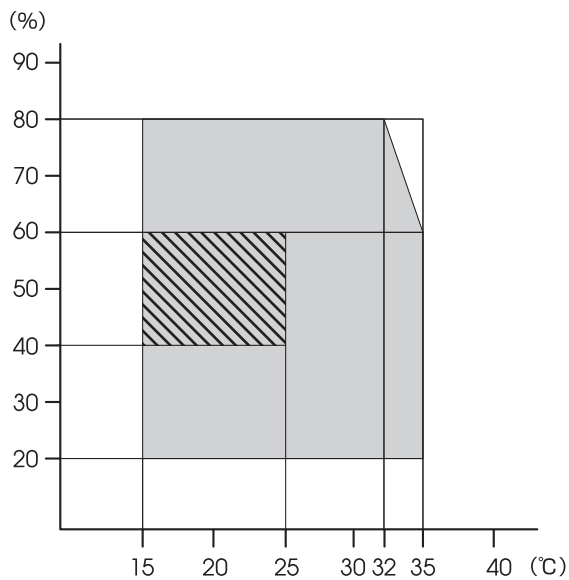
## Specifications Table

Printer Specifications	
Printing method	On-demand ink jet
Nozzle configuration	360 nozzles x 2 rows x 4 colors (Black*1, Cyan, Magenta, Yellow)
Resolution (maximum)	720x1440dpi
Control code	ESC/P raster (undisclosed command)
Media Feed Method	Friction feed
Built-in memory	512 MB for Main 128 MB for Network
Interface	Hi-Speed USB-Compatible with the USB 2.0 Specification. 100Base-TX/1000Base-T*2
Rated voltage	SC-F7200/SC-F7100 Series (#1, #2): AC100-120V AC200-240V
	SC-F7000 Series: AC100-240V
Rated frequency	SC-F7200/SC-F7100 Series (#1, #2): 50 to 60Hz
	SC-F7000 Series: 50 to 60Hz
Rated current	SC-F7200/SC-F7100 Series (#1, #2): 10A (AC100-120V) 5A (AC200-240V)
	SC-F7000 Series: 1.0-0.5A (AC100-240V)

Appendix

Printer Specifications	
Power consumption	<p>SC-F7200/SC-F7100 Series (total of #1, #2)</p> <p>Printing: Approx. 460 W</p> <p>Ready mode: Approx. 330 W</p> <p>Sleep mode: Approx. 10 W</p> <p>Power off: 0.6 W or less</p> <hr/> <p>SC-F7000 Series</p> <p>Printing: Approx. 65 W</p> <p>Ready mode: Approx. 20 W</p> <p>Sleep mode: Approx. 9 W</p> <p>Power off: 0.5 W or less</p>
Temperature	<p>Operating: 15 to 35°C (15 to 25°C recommended)</p> <p>Storage (before unpacking): -20 to 60°C (within 120 hours at 60°C, within a month at 40°C)</p> <p>Storage (before refilling with ink): -20 to 40°C (within a month at 40°C)</p>
Humidity	<p>Operating: 20 to 80% (40 to 60% recommended) (without condensation)</p> <p>Storage (before and after unpacking): 5 to 85% (without condensation)</p>

Operating Temperature/Humidity Range (area with diagonal lines: recommended)



Printer Specifications	
Dimension	<p>SC-F7200 Series</p> <p>Storage (minimum) dimensions: 2620 (W) × 1013 (D) × 1314 (H) mm</p> <p>Maximum dimensions: 2620 (W) × 1198 (D) × 1653 (H) mm</p>
	<p>SC-F7100 Series</p> <p>Storage (minimum) dimensions: 2620 (W) × 1013 (D) × 1311 (H) mm</p> <p>Maximum dimensions: 2620 (W) × 1198 (D) × 1650 (H) mm</p>
	<p>SC-F7000 Series</p> <p>Storage (minimum) dimensions: 2620 (W) × 915 (D) × 1311 (H) mm</p> <p>Maximum dimensions: 2620 (W) × 1259 (D) × 1650 (H) mm</p>
Weight*3	SC-F7200 Series: about 274kg
	SC-F7100 Series: about 269kg
	SC-F7000 Series: about 225kg

\*1 High Density Black or Black

\*2 Use a shielded twisted pair cable (category 5 or better).

\*3 Supplied media system installed; ink not included.

Ink Specifications	
Type	Dedicated ink pack
Sublimation transfer ink	High Density Black, Black, Cyan, Magenta, Yellow
Use by date	See the date printed on the ink pack (at normal temperature)
Print quality guarantee expiry	25 days (from the day that the ink tank was refilled from the ink pack)
Storage temperature	5 to 35°C
Capacity	1000ml

**Note:**

To ensure your printouts have a stable coloring, maintain a constant room temperature of 15 to 25°C.

**Appendix**

**Standards and Approvals**

Safety	UL 60950-1
	CSA C22.2 No.60950-1
EMC	FCC part 15 subpart B Class A
	CAN/CSA-CEI/IEC CISPR 22 Class A
	AS/NZS CISPR 22 Class A



**Warning:**

*This is a class A product. In a domestic environment this product may cause radio interference in which case the user may be required to take adequate measures.*

---

## Where To Get Help

---

### Technical Support Web Site

Epson's Technical Support Web Site provides help with problems that cannot be solved using the troubleshooting information in your product documentation. If you have a Web browser and can connect to the Internet, access the site at:

<http://support.epson.net/>

If you need the latest drivers, FAQs, manuals, or other downloadables, access the site at:

<http://www.epson.com>

Then, select the support section of your local Epson Web site.

## Contacting Epson Support

---

### Before Contacting Epson

If your Epson product is not operating properly and you cannot solve the problem using the troubleshooting information in your product documentation, contact Epson support services for assistance. If Epson support for your area is not listed below, contact the dealer where you purchased your product.

Epson support will be able to help you much more quickly if you give them the following information:

- Product serial number  
(The serial number label is usually on the back of the product.)
- Product model
- Product software version  
(Click **About**, **Version Info**, or similar button in the product software.)
- Brand and model of your computer
- Your computer operating system name and version
- Names and versions of the software applications you normally use with your product

## Where To Get Help

### Help for Users in North America

Epson provides the technical support services listed below.

#### Internet Support

Visit Epson's support website at <http://epson.com/support> and select your product for solutions to common problems. You can download drivers and documentation, get FAQs and troubleshooting advice, or e-mail Epson with your questions.

#### Speak to a Support Representative

Dial: (562) 276-1300 (U.S.), or (905) 709-9475 (Canada), 6 am to 6 pm, Pacific Time, Monday through Friday. Days and hours of support are subject to change without notice. Toll or long distance charges may apply.

Before you call Epson for support, please have the following information ready:

- Product name
- Product serial number
- Proof of purchase (such as a store receipt) and date of purchase
- Computer configuration
- Description of the problem



**Important:**

*For help using any other software on your system, see the documentation for that software for technical support information.*

#### Purchase Supplies and Accessories

You can purchase genuine Epson ink cartridges, ribbon cartridges, paper, and accessories from an Epson authorized reseller. To find the nearest reseller, call 800-GO-EPSON (800-463-7766). Or you can purchase online at <http://www.epsonstore.com> (U.S. sales) or <http://www.epson.ca> (Canadian sales).

### Help for Users in Europe

Check your **Pan-European Warranty Document** for information on how to contact Epson support.

### Help for Users in Australia

Epson Australia wishes to provide you with a high level of customer service. In addition to your product documentation, we provide the following sources for obtaining information:

#### Your Dealer

Don't forget that your dealer can often help identify and resolve problems. The dealer should always be the first call for advice on problems; they can often solve problems quickly and easily as well as give advice on the next step to take.

#### Internet URL

<http://www.epson.com.au>

Access the Epson Australia World Wide Web pages. Worth taking your modem here for the occasional surf! The site provides a download area for drivers, Epson contact points, new product information and technical support (e-mail).

#### Epson Helpdesk

Epson Helpdesk is provided as a final backup to make sure our clients have access to advice. Operators on the Helpdesk can aid you in installing, configuring and operating your Epson product. Our Pre-sales Helpdesk staff can provide literature on new Epson products and advise where the nearest dealer or service agent is located. Many types of queries are answered here.

The Helpdesk numbers are:

Phone:	1300 361 054
Fax:	(02) 8899 3789



## Where To Get Help

We encourage you to have all the relevant information on hand when you ring. The more information you prepare, the faster we can help solve the problem. This information includes your Epson product documentation, type of computer, operating system, application programs, and any information you feel is required.

---

### Help for Users in Singapore

Sources of information, support, and services available from Epson Singapore are:

#### World Wide Web

(<http://www.epson.com.sg>)

Information on product specifications, drivers for download, Frequently Asked Questions (FAQ), Sales Enquiries, and Technical Support via e-mail are available.

#### Epson HelpDesk (Phone: (65) 6586 3111)

Our HelpDesk team can help you with the following over the phone:

- Sales enquiries and product information
- Product usage questions or problems
- Enquiries on repair service and warranty

---

### Help for Users in Thailand

Contacts for information, support, and services are:

#### World Wide Web

(<http://www.epson.co.th>)

Information on product specifications, drivers for download, Frequently Asked Questions (FAQ), and e-mail are available.

#### Epson Hotline (Phone: (66)2685-9899)

Our Hotline team can help you with the following over the phone:

- Sales enquiries and product information
- Product usage questions or problems
- Enquiries on repair service and warranty

---

### Help for Users in Vietnam

Contacts for information, support, and services are:

Epson Hotline (Phone): 84-8-823-9239

Service Center: 80 Truong Dinh Street,  
District 1, Hochiminh City  
Vietnam

---

### Help for Users in Indonesia

Contacts for information, support, and services are:

#### World Wide Web

(<http://www.epson.co.id>)

- Information on product specifications, drivers for download
- Frequently Asked Questions (FAQ), Sales Enquiries, questions through e-mail

#### Epson Hotline

- Sales enquiries and product information
- Technical support

Phone (62) 21-572 4350

Fax (62) 21-572 4357

#### Epson Service Center

Jakarta Mangga Dua Mall 3rd floor No 3A/B  
Jl. Arteri Mangga Dua,  
Jakarta

Phone/Fax: (62) 21-62301104

## Where To Get Help

Bandung	Lippo Center 8th floor Jl. Gatot Subroto No.2 Bandung  Phone/Fax: (62) 22-7303766
Surabaya	Hitech Mall It IIB No. 12 Jl. Kusuma Bangsa 116 – 118 Surabaya  Phone: (62) 31-5355035 Fax: (62)31-5477837
Yogyakarta	Hotel Natour Garuda Jl. Malioboro No. 60 Yogyakarta  Phone: (62) 274-565478
Medan	Wisma HSBC 4th floor Jl. Diponegoro No. 11 Medan  Phone/Fax: (62) 61-4516173
Makassar	MTC Karebosi Lt. III Kav. P7-8 Jl. Ahmad Yani No.49 Makassar  Phone: (62)411-350147/411-350148

---

## Help for Users in Hong Kong

To obtain technical support as well as other after-sales services, users are welcome to contact Epson Hong Kong Limited.

### Internet Home Page

Epson Hong Kong has established a local home page in both Chinese and English on the Internet to provide users with the following information:

- Product information
- Answers to Frequently Asked Questions (FAQs)
- Latest versions of Epson product drivers

Users can access our World Wide Web home page at:

<http://www.epson.com.hk>

## Technical Support Hotline

You can also contact our technical staff at the following telephone and fax numbers:

Phone: (852) 2827-8911

Fax: (852) 2827-4383

---

## Help for Users in Malaysia

Contacts for information, support, and services are:

### World Wide Web

(<http://www.epson.com.my>)

- Information on product specifications, drivers for download
- Frequently Asked Questions (FAQ), Sales Enquiries, questions through e-mail

## Epson Trading (M) Sdn. Bhd.

Head Office.

Phone: 603-56288288

Fax: 603-56288388/399

### Epson Helpdesk

- Sales enquiries and product information (Infoline)

Phone: 603-56288222

- Enquiries on repair services & warranty, product usage and technical support (Techline)

Phone: 603-56288333

---

## Help for Users in India

Contacts for information, support, and services are:

**Where To Get Help**

**World Wide Web**

(<http://www.epson.co.in>)

Information on product specifications, drivers for download, and products enquiry are available.

**Epson India Head Office - Bangalore**

Phone: 080-30515000

Fax: 30515005

**Epson India Regional Offices:**

Location	Telephone number	Fax number
Mumbai	022-28261515 / 16/17	022-28257287
Delhi	011-30615000	011-30615005
Chennai	044-30277500	044-30277575
Kolkata	033-22831589 / 90	033-22831591
Hyderabad	040-66331738/ 39	040-66328633
Cochin	0484-2357950	0484-2357950
Coimbatore	0422-2380002	NA
Pune	020-30286000 / 30286001 /30286002	020-30286000
Ahmedabad	079-26407176 / 77	079-26407347

**Helpline**

For Service, Product info or to order a cartridge - 18004250011 (9AM - 9PM) - This is a Toll-free number.

For Service (CDMA & Mobile Users) - 3900 1600 (9AM - 6PM) Prefix local STD code

**Help for Users in the Philippines**

To obtain technical support as well as other after sales services, users are welcome to contact the Epson Philippines Corporation at the telephone and fax numbers and e-mail address below:

Trunk Line: (63-2) 706 2609

Fax: (63-2) 706 2665

Helpdesk Direct Line: (63-2) 706 2625

E-mail: [epchelpdesk@epc.epson.com.ph](mailto:epchelpdesk@epc.epson.com.ph)

**World Wide Web**

(<http://www.epson.com.ph>)

Information on product specifications, drivers for download, Frequently Asked Questions (FAQ), and E-mail Enquiries are available.

**Toll-Free No. 1800-1069-EPSON(37766)**

Our Hotline team can help you with the following over the phone:

- Sales enquiries and product information
- Product usage questions or problems
- Enquiries on repair service and warranty

---

# Software License Terms

---

---

## Open Source Software Licenses

---

### Bonjour

This printer product includes the open source software programs which apply the Apple Public Source License Version 1.2 or its latest version ("Bonjour Programs").

We provide the source code of the Bonjour Programs pursuant to the Apple Public Source License Version 1.2 or its latest version until five (5) years after the discontinuation of same model of this printer product. If you desire to receive the source code of the Bonjour Programs, please see the "Contacting Customer Support" in Appendix or Printing Guide of this User's Guide, and contact the customer support of your region.

You can redistribute Bonjour Programs and/or modify it under the terms of the Apple Public Source License Version 1.2 or its latest version.

These Bonjour Programs are WITHOUT ANY WARRANTY; without even the implied warranty of MERCHANTABILITY AND FITNESS FOR A PARTICULAR PURPOSE.

The Apple Public Source License Version 1.2 is as follows. You also can see the Apple Public Source License Version 1.2 at <http://www.opensource.apple.com/apsl/>.

APPLE PUBLIC SOURCE LICENSE  
Version 2.0 - August 6, 2003

1. General; Definitions. This License applies to any program or other work which Apple Computer, Inc. ("Apple") makes publicly available and which contains a notice placed by Apple identifying such program or work as "Original Code" and stating that it is subject to the terms of this Apple Public Source License version 2.0 ("License"). As used in this License:

1.1 "Applicable Patent Rights" mean: (a) in the case where Apple is the grantor of rights, (i) claims of patents that are now or hereafter acquired, owned by or assigned to Apple and (ii) that cover subject matter contained in the Original Code, but only to the extent necessary to use, reproduce and/or distribute the Original Code without infringement; and (b) in the case where You are the grantor of rights, (i) claims of patents that are now or hereafter acquired, owned by or assigned to You and (ii) that cover subject matter in Your Modifications, taken alone or in combination with Original Code.

1.2 "Contributor" means any person or entity that creates or contributes to the creation of Modifications.

1.3 "Covered Code" means the Original Code, Modifications, the combination of Original Code and any Modifications, and/or any respective portions thereof.

1.4 "Externally Deploy" means: (a) to sublicense, distribute or otherwise make Covered Code available, directly or indirectly, to anyone other than You; and/or (b) to use Covered Code, alone or as part of a Larger Work, in any way to provide a service, including but not limited to delivery of content, through electronic communication with a client other than You.

1.5 "Larger Work" means a work which combines Covered Code or portions thereof with code not governed by the terms of this License.

## Software License Terms

1.6 "Modifications" mean any addition to, deletion from, and/or change to, the substance and/or structure of the Original Code, any previous Modifications, the combination of Original Code and any previous Modifications, and/or any respective portions thereof. When code is released as a series of files, a Modification is: (a) any addition to or deletion from the contents of a file containing Covered Code; and/or (b) any new file or other representation of computer program statements that contains any part of Covered Code.

1.7 "Original Code" means (a) the Source Code of a program or other work as originally made available by Apple under this License, including the Source Code of any updates or upgrades to such programs or works made available by Apple under this License, and that has been expressly identified by Apple as such in the header file(s) of such work; and (b) the object code compiled from such Source Code and originally made available by Apple under this License

1.8 "Source Code" means the human readable form of a program or other work that is suitable for making modifications to it, including all modules it contains, plus any associated interface definition files, scripts used to control compilation and installation of an executable (object code).

1.9 "You" or "Your" means an individual or a legal entity exercising rights under this License. For legal entities, "You" or "Your" includes any entity which controls, is controlled by, or is under common control with, You, where "control" means (a) the power, direct or indirect, to cause the direction or management of such entity, whether by contract or otherwise, or (b) ownership of fifty percent (50%) or more of the outstanding shares or beneficial ownership of such entity.

2. Permitted Uses; Conditions & Restrictions. Subject to the terms and conditions of this License, Apple hereby grants You, effective on the date You accept this License and download the Original Code, a world-wide, royalty-free, non-exclusive license, to the extent of Apple's Applicable Patent Rights and copyrights covering the Original Code, to do the following:

2.1 Unmodified Code. You may use, reproduce, display, perform, internally distribute within Your organization, and Externally Deploy verbatim, unmodified copies of the Original Code, for commercial or non-commercial purposes, provided that in each instance:

(a) You must retain and reproduce in all copies of Original Code the copyright and other proprietary notices and disclaimers of Apple as they appear in the Original Code, and keep intact all notices in the Original Code that refer to this License; and

(b) You must include a copy of this License with every copy of Source Code of Covered Code and documentation You distribute or Externally Deploy, and You may not offer or impose any terms on such Source Code that alter or restrict this License or the recipients' rights hereunder, except as permitted under Section 6.

2.2 Modified Code. You may modify Covered Code and use, reproduce, display, perform, internally distribute within Your organization, and Externally Deploy Your Modifications and Covered Code, for commercial or non-commercial purposes, provided that in each instance You also meet all of these conditions:

(a) You must satisfy all the conditions of Section 2.1 with respect to the Source Code of the Covered Code;

(b) You must duplicate, to the extent it does not already exist, the notice in Exhibit A in each file of the Source Code of all Your Modifications, and cause the modified files to carry prominent notices stating that You changed the files and the date of any change; and

(c) If You Externally Deploy Your Modifications, You must make Source Code of all Your Externally Deployed Modifications either available to those to whom You have Externally Deployed Your Modifications, or publicly available. Source Code of Your Externally Deployed Modifications must be released under the terms set forth in this License, including the license grants set forth in Section 3 below, for as long as you Externally Deploy the Covered Code or twelve (12) months from the date of initial External Deployment, whichever is longer. You should preferably distribute the Source Code of Your Externally Deployed Modifications electronically (e.g. download from a web site).

## Software License Terms

2.3 Distribution of Executable Versions. In addition, if You Externally Deploy Covered Code (Original Code and/or Modifications) in object code, executable form only, You must include a prominent notice, in the code itself as well as in related documentation, stating that Source Code of the Covered Code is available under the terms of this License with information on how and where to obtain such Source Code.

2.4 Third Party Rights. You expressly acknowledge and agree that although Apple and each Contributor grants the licenses to their respective portions of the Covered Code set forth herein, no assurances are provided by Apple or any Contributor that the Covered Code does not infringe the patent or other intellectual property rights of any other entity. Apple and each Contributor disclaim any liability to You for claims brought by any other entity based on infringement of intellectual property rights or otherwise. As a condition to exercising the rights and licenses granted hereunder, You hereby assume sole responsibility to secure any other intellectual property rights needed, if any. For example, if a third party patent license is required to allow You to distribute the Covered Code, it is Your responsibility to acquire that license before distributing the Covered Code.

3. Your Grants. In consideration of, and as a condition to, the licenses granted to You under this License, You hereby grant to any person or entity receiving or distributing Covered Code under this License a non-exclusive, royalty-free, perpetual, irrevocable license, under Your Applicable Patent Rights and other intellectual property rights (other than patent) owned or controlled by You, to use, reproduce, display, perform, modify, sublicense, distribute and Externally Deploy Your Modifications of the same scope and extent as Apple's licenses under Sections 2.1 and 2.2 above.

4. Larger Works. You may create a Larger Work by combining Covered Code with other code not governed by the terms of this License and distribute the Larger Work as a single product. In each such instance, You must make sure the requirements of this License are fulfilled for the Covered Code or any portion thereof.

5. Limitations on Patent License. Except as expressly stated in Section 2, no other patent rights, express or implied, are granted by Apple herein. Modifications and/or Larger Works may require additional patent licenses from Apple which Apple may grant in its sole discretion.

6. Additional Terms. You may choose to offer, and to charge a fee for, warranty, support, indemnity or liability obligations and/or other rights consistent with the scope of the license granted herein ("Additional Terms") to one or more recipients of Covered Code. However, You may do so only on Your own behalf and as Your sole responsibility, and not on behalf of Apple or any Contributor. You must obtain the recipient's agreement that any such Additional Terms are offered by You alone, and You hereby agree to indemnify, defend and hold Apple and every Contributor harmless for any liability incurred by or claims asserted against Apple or such Contributor by reason of any such Additional Terms.

7. Versions of the License. Apple may publish revised and/or new versions of this License from time to time. Each version will be given a distinguishing version number. Once Original Code has been published under a particular version of this License, You may continue to use it under the terms of that version. You may also choose to use such Original Code under the terms of any subsequent version of this License published by Apple. No one other than Apple has the right to modify the terms applicable to Covered Code created under this License.

## Software License Terms

8. NO WARRANTY OR SUPPORT. The Covered Code may contain in whole or in part pre-release, untested, or not fully tested works. The Covered Code may contain errors that could cause failures or loss of data, and may be incomplete or contain inaccuracies. You expressly acknowledge and agree that use of the Covered Code, or any portion thereof, is at Your sole and entire risk. THE COVERED CODE IS PROVIDED "AS IS" AND WITHOUT WARRANTY, UPGRADES OR SUPPORT OF ANY KIND AND APPLE AND APPLE'S LICENSOR(S) (COLLECTIVELY REFERRED TO AS "APPLE" FOR THE PURPOSES OF SECTIONS 8 AND 9) AND ALL CONTRIBUTORS EXPRESSLY DISCLAIM ALL WARRANTIES AND/OR CONDITIONS, EXPRESS OR IMPLIED, INCLUDING, BUT NOT LIMITED TO, THE IMPLIED WARRANTIES AND/OR CONDITIONS OF MERCHANTABILITY, OF SATISFACTORY QUALITY, OF FITNESS FOR A PARTICULAR PURPOSE, OF ACCURACY, OF QUIET ENJOYMENT, AND NONINFRINGEMENT OF THIRD PARTY RIGHTS. APPLE AND EACH CONTRIBUTOR DOES NOT WARRANT AGAINST INTERFERENCE WITH YOUR ENJOYMENT OF THE COVERED CODE, THAT THE FUNCTIONS CONTAINED IN THE COVERED CODE WILL MEET YOUR REQUIREMENTS, THAT THE OPERATION OF THE COVERED CODE WILL BE UNINTERRUPTED OR ERROR-FREE, OR THAT DEFECTS IN THE COVERED CODE WILL BE CORRECTED. NO ORAL OR WRITTEN INFORMATION OR ADVICE GIVEN BY APPLE, AN APPLE AUTHORIZED REPRESENTATIVE OR ANY CONTRIBUTOR SHALL CREATE A WARRANTY. You acknowledge that the Covered Code is not intended for use in the operation of nuclear facilities, aircraft navigation, communication systems, or air traffic control machines in which case the failure of the Covered Code could lead to death, personal injury, or severe physical or environmental damage.

9. LIMITATION OF LIABILITY. TO THE EXTENT NOT PROHIBITED BY LAW, IN NO EVENT SHALL APPLE OR ANY CONTRIBUTOR BE LIABLE FOR ANY INCIDENTAL, SPECIAL, INDIRECT OR CONSEQUENTIAL DAMAGES ARISING OUT OF OR RELATING TO THIS LICENSE OR YOUR USE OR INABILITY TO USE THE COVERED CODE, OR ANY PORTION THEREOF, WHETHER UNDER A THEORY OF CONTRACT, WARRANTY, TORT (INCLUDING NEGLIGENCE), PRODUCTS LIABILITY OR OTHERWISE, EVEN IF APPLE OR SUCH CONTRIBUTOR HAS BEEN ADVISED OF THE POSSIBILITY OF SUCH DAMAGES AND NOTWITHSTANDING THE FAILURE OF ESSENTIAL PURPOSE OF ANY REMEDY. SOME JURISDICTIONS DO NOT ALLOW THE LIMITATION OF LIABILITY OF INCIDENTAL OR CONSEQUENTIAL DAMAGES, SO THIS LIMITATION MAY NOT APPLY TO YOU. In no event shall Apple's total liability to You for all damages (other than as may be required by applicable law) under this License exceed the amount of fifty dollars (\$50.00).

10. Trademarks. This License does not grant any rights to use the trademarks or trade names "Apple", "Apple Computer", "Mac", "Mac OS", "QuickTime", "QuickTime Streaming Server" or any other trademarks, service marks, logos or trade names belonging to Apple (collectively "Apple Marks") or to any trademark, service mark, logo or trade name belonging to any Contributor. You agree not to use any Apple Marks in or as part of the name of products derived from the Original Code or to endorse or promote products derived from the Original Code other than as expressly permitted by and in strict compliance at all times with Apple's third party trademark usage guidelines which are posted at <http://www.apple.com/legal/guidelinesfor3rdparties.html>.

11. Ownership. Subject to the licenses granted under this License, each Contributor retains all rights, title and interest in and to any Modifications made by such Contributor. Apple retains all rights, title and interest in and to the Original Code and any Modifications made by or on behalf of Apple ("Apple Modifications"), and such Apple Modifications will not be automatically subject to this License. Apple may, at its sole discretion, choose to license such Apple Modifications under this License, or on different terms from those contained in this License or may choose not to license them at all.

12. Termination.

12.1 Termination. This License and the rights granted hereunder will terminate:

(a) automatically without notice from Apple if You fail to comply with any term(s) of this License and fail to cure such breach within 30 days of becoming aware of such breach;

(b) immediately in the event of the circumstances described in Section 13.5(b); or

## Software License Terms

(c) automatically without notice from Apple if You, at any time during the term of this License, commence an action for patent infringement against Apple; provided that Apple did not first commence an action for patent infringement against You in that instance.

12.2 Effect of Termination. Upon termination, You agree to immediately stop any further use, reproduction, modification, sublicensing and distribution of the Covered Code. All sublicenses to the Covered Code which have been properly granted prior to termination shall survive any termination of this License. Provisions which, by their nature, should remain in effect beyond the termination of this License shall survive, including but not limited to Sections 3, 5, 8, 9, 10, 11, 12.2 and 13. No party will be liable to any other for compensation, indemnity or damages of any sort solely as a result of terminating this License in accordance with its terms, and termination of this License will be without prejudice to any other right or remedy of any party.

### 13. Miscellaneous.

13.1 Government End Users. The Covered Code is a "commercial item" as defined in FAR 2.101. Government software and technical data rights in the Covered Code include only those rights customarily provided to the public as defined in this License. This customary commercial license in technical data and software is provided in accordance with FAR 12.211 (Technical Data) and 12.212 (Computer Software) and, for Department of Defense purchases, DFAR 252.227-7015 (Technical Data -- Commercial Items) and 227.7202-3 (Rights in Commercial Computer Software or Computer Software Documentation). Accordingly, all U.S. Government End Users acquire Covered Code with only those rights set forth herein.

13.2 Relationship of Parties. This License will not be construed as creating an agency, partnership, joint venture or any other form of legal association between or among You, Apple or any Contributor, and You will not represent to the contrary, whether expressly, by implication, appearance or otherwise.

13.3 Independent Development. Nothing in this License will impair Apple's right to acquire, license, develop, have others develop for it, market and/or distribute technology or products that perform the same or similar functions as, or otherwise compete with, Modifications, Larger Works, technology or products that You may develop, produce, market or distribute.

13.4 Waiver; Construction. Failure by Apple or any Contributor to enforce any provision of this License will not be deemed a waiver of future enforcement of that or any other provision. Any law or regulation which provides that the language of a contract shall be construed against the drafter will not apply to this License.

13.5 Severability. (a) If for any reason a court of competent jurisdiction finds any provision of this License, or portion thereof, to be unenforceable, that provision of the License will be enforced to the maximum extent permissible so as to effect the economic benefits and intent of the parties, and the remainder of this License will continue in full force and effect. (b) Notwithstanding the foregoing, if applicable law prohibits or restricts You from fully and/or specifically complying with Sections 2 and/or 3 or prevents the enforceability of either of those Sections, this License will immediately terminate and You must immediately discontinue any use of the Covered Code and destroy all copies of it that are in your possession or control.

13.6 Dispute Resolution. Any litigation or other dispute resolution between You and Apple relating to this License shall take place in the Northern District of California, and You and Apple hereby consent to the personal jurisdiction of, and venue in, the state and federal courts within that District with respect to this License. The application of the United Nations Convention on Contracts for the International Sale of Goods is expressly excluded.

13.7 Entire Agreement; Governing Law. This License constitutes the entire agreement between the parties with respect to the subject matter hereof. This License shall be governed by the laws of the United States and the State of California, except that body of California law concerning conflicts of law.

Where You are located in the province of Quebec, Canada, the following clause applies: The parties hereby confirm that they have requested that this License and all related documents be drafted in English.

Les parties ont exigé que le présent contrat et tous les documents connexes soient rédigés en anglais.



## Software License Terms

### EXHIBIT A.

"Portions Copyright (c) 1999-2003 Apple Computer, Inc. All Rights Reserved.

This file contains Original Code and/or Modifications of Original Code as defined in and that are subject to the Apple Public Source License Version 2.0 (the 'License'). You may not use this file except in compliance with the License. Please obtain a copy of the License at <http://www.opensource.apple.com/apsl/> and read it before using this file.

The Original Code and all software distributed under the License are distributed on an 'AS IS' basis, WITHOUT WARRANTY OF ANY KIND, EITHER EXPRESS OR IMPLIED, AND APPLE HEREBY DISCLAIMS ALL SUCH WARRANTIES, INCLUDING WITHOUT LIMITATION, ANY WARRANTIES OF MERCHANTABILITY, FITNESS FOR A PARTICULAR PURPOSE, QUIET ENJOYMENT OR NON-INFRINGEMENT. Please see the License for the specific language governing rights and limitations under the License."

## Other Software Licenses

---

### Info-ZIP copyright and license

This is version 2007-Mar-4 of the Info-ZIP license. The definitive version of this document should be available at <ftp://ftp.info-zip.org/pub/infozip/license.html> indefinitely and a copy at <http://www.info-zip.org/pub/infozip/license.html>.

Copyright © 1990-2007 Info-ZIP. All rights reserved.

For the purposes of this copyright and license, "Info-ZIP" is defined as the following set of individuals:

Mark Adler, John Bush, Karl Davis, Harald Denker, Jean-Michel Dubois, Jean-loup Gailly, Hunter Goatley, Ed Gordon, Ian Gorman, Chris Herborth, Dirk Haase, Greg Hartwig, Robert Heath, Jonathan Hudson, Paul Kienitz, David Kirschbaum, Johnny Lee, Onno van der Linden, Igor Mandrichenko, Steve P. Miller, Sergio Monesi, Keith Owens, George Petrov, Greg Roelofs, Kai Uwe Rommel, Steve Salisbury, Dave Smith, Steven M. Schweda, Christian Spieler, Cosmin Truta, Antoine Verheijen, Paul von Behren, Rich Wales, Mike White.

Permission is granted to anyone to use this software for any purpose, including commercial applications, and to alter it and redistribute it freely, subject to the above disclaimer and the following restrictions:

1. Redistributions of source code (in whole or in part) must retain the above copyright notice, definition, disclaimer, and this list of conditions.
2. Redistributions in binary form (compiled executables and libraries) must reproduce the above copyright notice, definition, disclaimer, and this list of conditions in documentation and/or other materials provided with the distribution. The sole exception to this condition is redistribution of a standard UnZipSFX binary (including SFXWiz) as part of a self-extracting archive; that is permitted without inclusion of this license, as long as the normal SFX banner has not been removed from the binary or disabled.

**Software License Terms**

3. Altered versions--including, but not limited to, ports to new operating systems, existing ports with new graphical interfaces, versions with modified or added functionality, and dynamic, shared, or static library versions not from Info-ZIP--must be plainly marked as such and must not be misrepresented as being the original source or, if binaries, compiled from the original source. Such altered versions also must not be misrepresented as being Info-ZIP releases--including, but not limited to, labeling of the altered versions with the names "Info-ZIP" (or any variation thereof, including, but not limited to, different capitalizations), "Pocket UnZip," "WiZ" or "MacZip" without the explicit permission of Info-ZIP. Such altered versions are further prohibited from misrepresentative use of the Zip-Bugs or Info-ZIP e-mail addresses or the Info-ZIP URL(s), such as to imply Info-ZIP will provide support for the altered versions.
4. Info-ZIP retains the right to use the names "Info-ZIP," "Zip," "UnZip," "UnZipSFX," "WiZ," "Pocket UnZip," "Pocket Zip," and "MacZip" for its own source and binary releases.